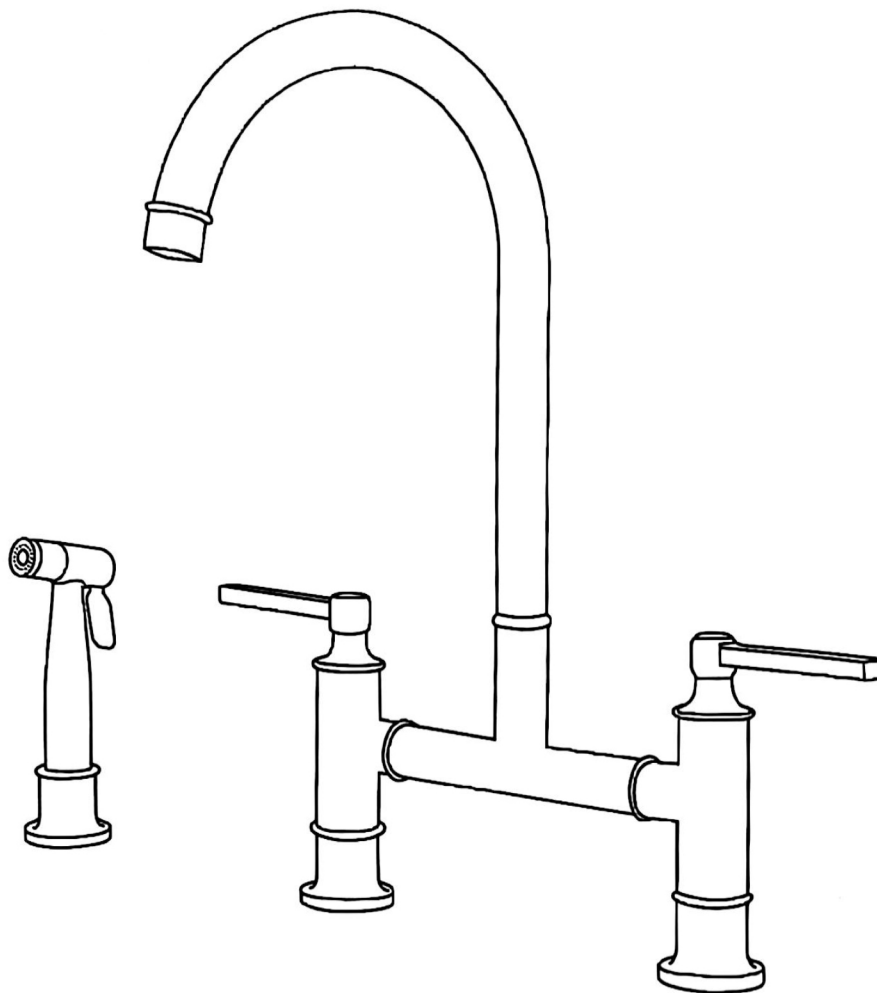


User's Manual



INSTALLATION INSTRUCTIONS

Installation Manual



INSTALLATION STEPS

This product has been inspected and debugged by the factory to the best condition. Please do not disassemble and assemble it yourself.



Before installing the product, please be sure to remove sundries and sludge from the water pipe to prevent sundries from blocking the product.



► TOOLS YOU WILL NEED



Adjustable awrench



Phillips screwdrive



Hex Wrench



Two angle valves



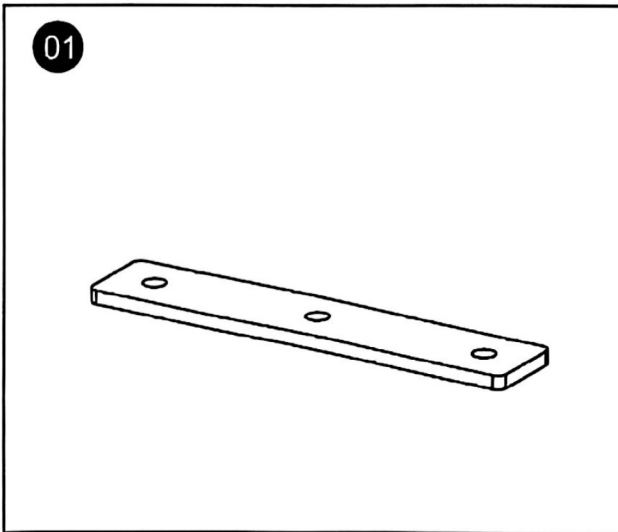
Pipe tape



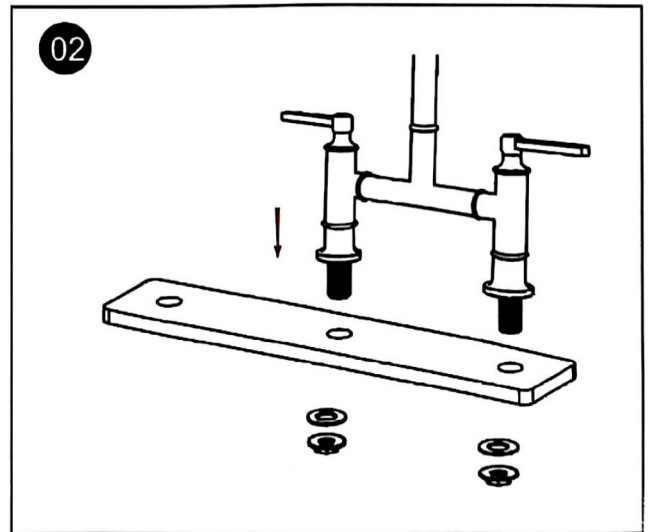
Silicone sealant/Putty

► INSTALLATION

Prior to installation: Shut off water supply. Remove old faucet.
Clean sink/countertop surface in preparation for new faucet

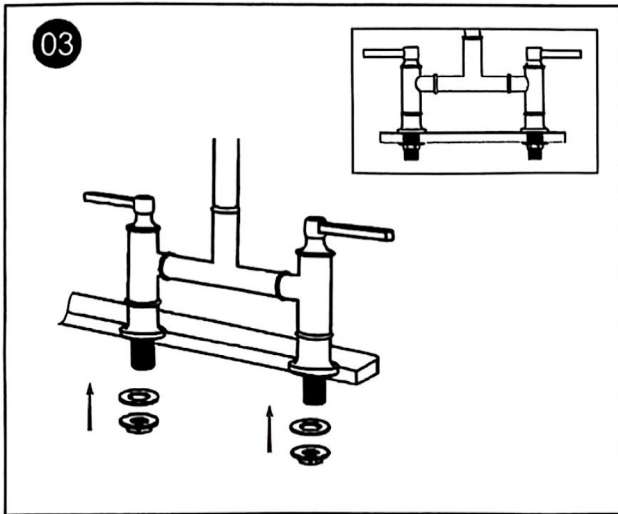


1. Before installation ensure there about three $\varnothing 30\text{mm}/1.18''$ hole.

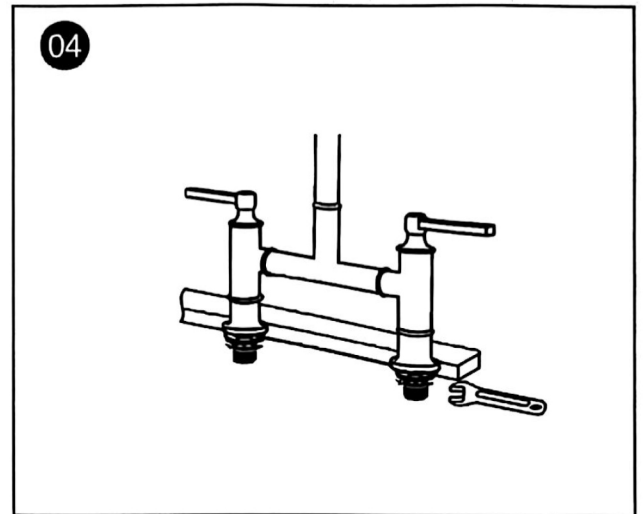


2. Insert the faucet through sink.

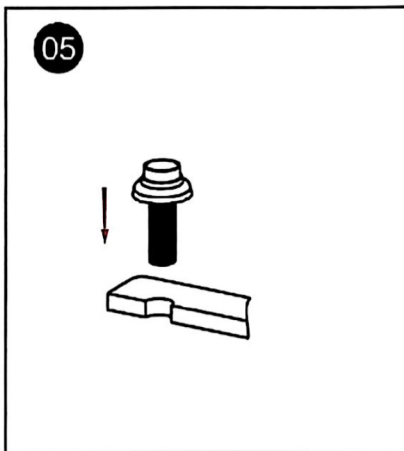
INSTALLATION STEPS



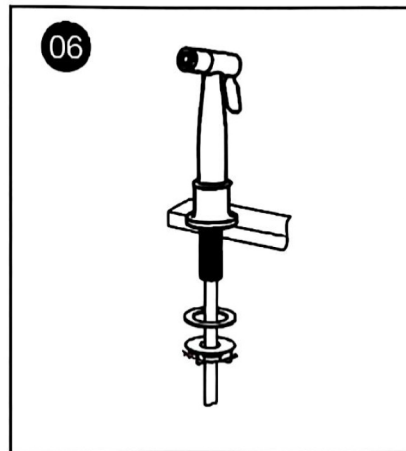
3. Screw the nut onto shank leaving approximately 0.12" (3mm) between the ring and the sink.



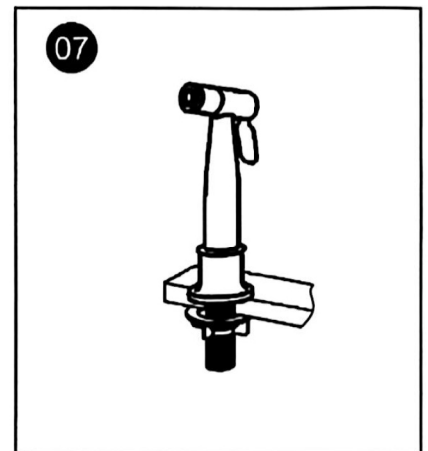
4. Tighten fitting nuts with adjustable wrench. Do not over tighten!



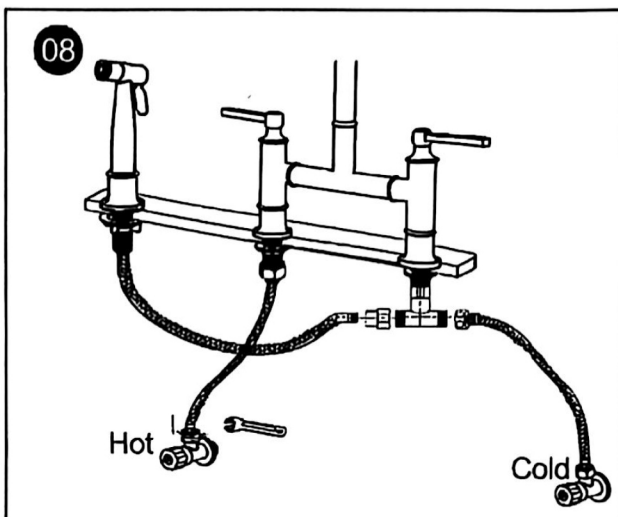
5. Insert the base of sidespray.



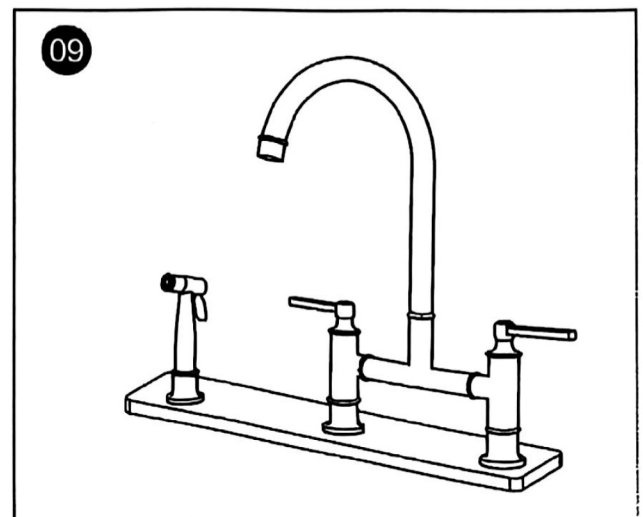
6. Put on washer and fitting nut.



7. Tighten it.

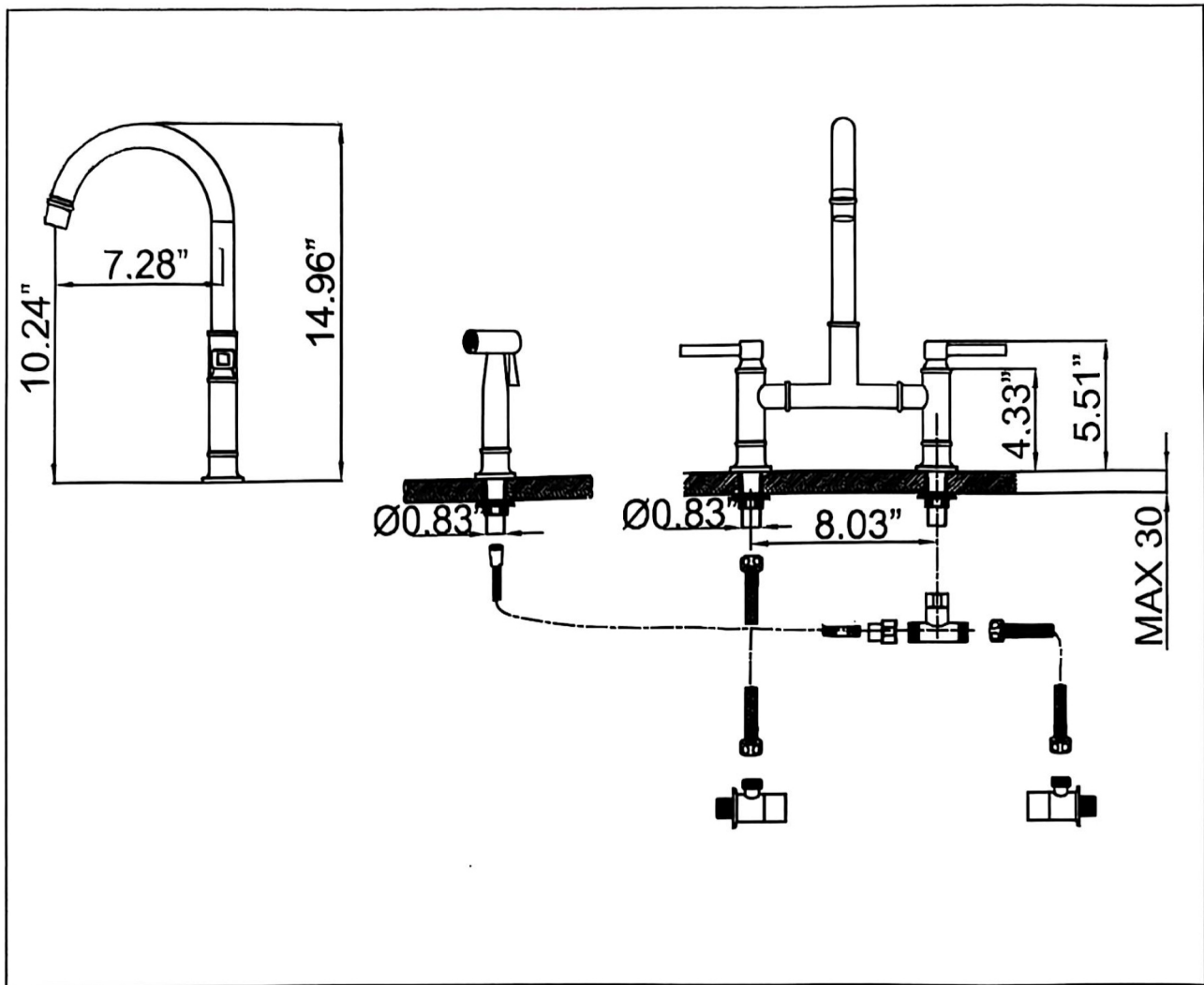


8. Connect and tighten the supply hoses.



9. Finish

PRODUCT SIZE



CLEANING CARE

In order to keep the appearance of product clean, bright and good performance, please take care of the product as follows;

1. Rinse with water only and dry with soft cotton cloth;
2. Use mild liquid and colorless glass cleaner to remove surface dirt and scale film, or use polish without abrasive effect;
3. Do not use abrasive detergent, polish, emery cloth, paper towel or scraper, etc;
4. Do not use acid cleaner, or cleaner and soap with insoluble gran etc;
5. In the process of use, mud may accumulate in the bubbler and make the water flow slow. The bubbler can be unscrewed, rinsed with water, and then installed back in place.



