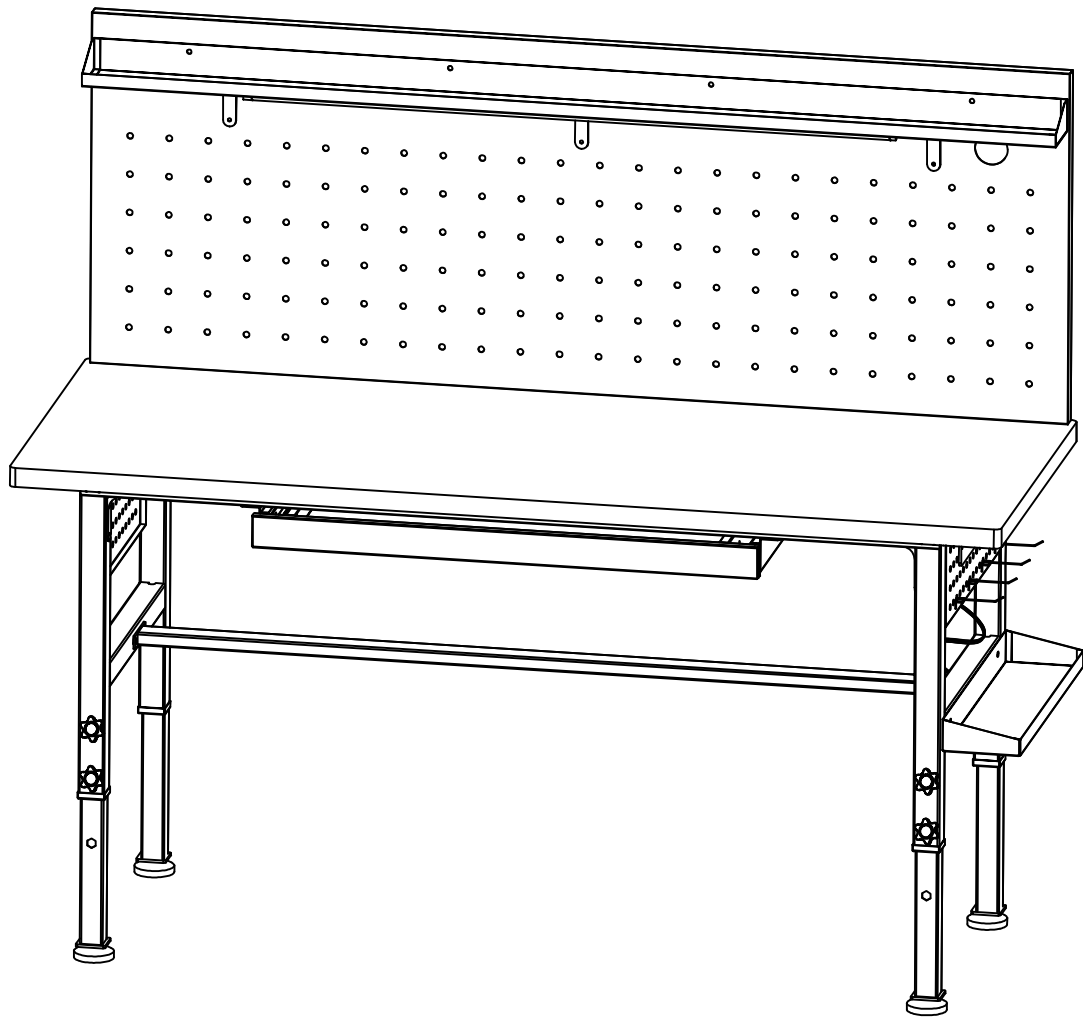


# Installation Manual

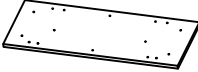
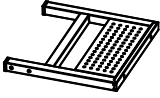
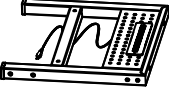


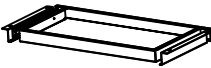
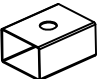


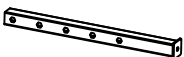
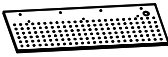



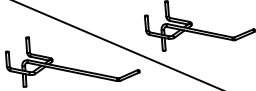
## 60" Adjustable Work Bench





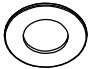








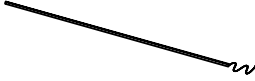



Customer Service: [ahomrt@163.com](mailto:ahomrt@163.com)

---

# Parts List

Number	Parts	Quantity
1		1PC
2		1PC
3		1PC
4		1PC
5		1PC
6		1PC
7		2PCS
8		1PC
9		7PCS
10		4PCS
11		1PC
12		1PC
13		4PCS 4PCS
14		1PC
15		10PCS 10PCS

Number	Parts	Quantity
A		8PCS
B	 M8x35	17PCS
C	 M6x16	4PCS
D	 M8x20	24PCS
E	 M6x12	4PCS
F	 M8	1PC
G	 M8x16	11PCS
H	 M4x12	14PCS
I	 M6x12	6PCS
J	 M6	1PC
K	 M12	1PC
L		3PCS
M	 M4	1PC
N		1PC
O		2PCS

# Step 1

 B x 2

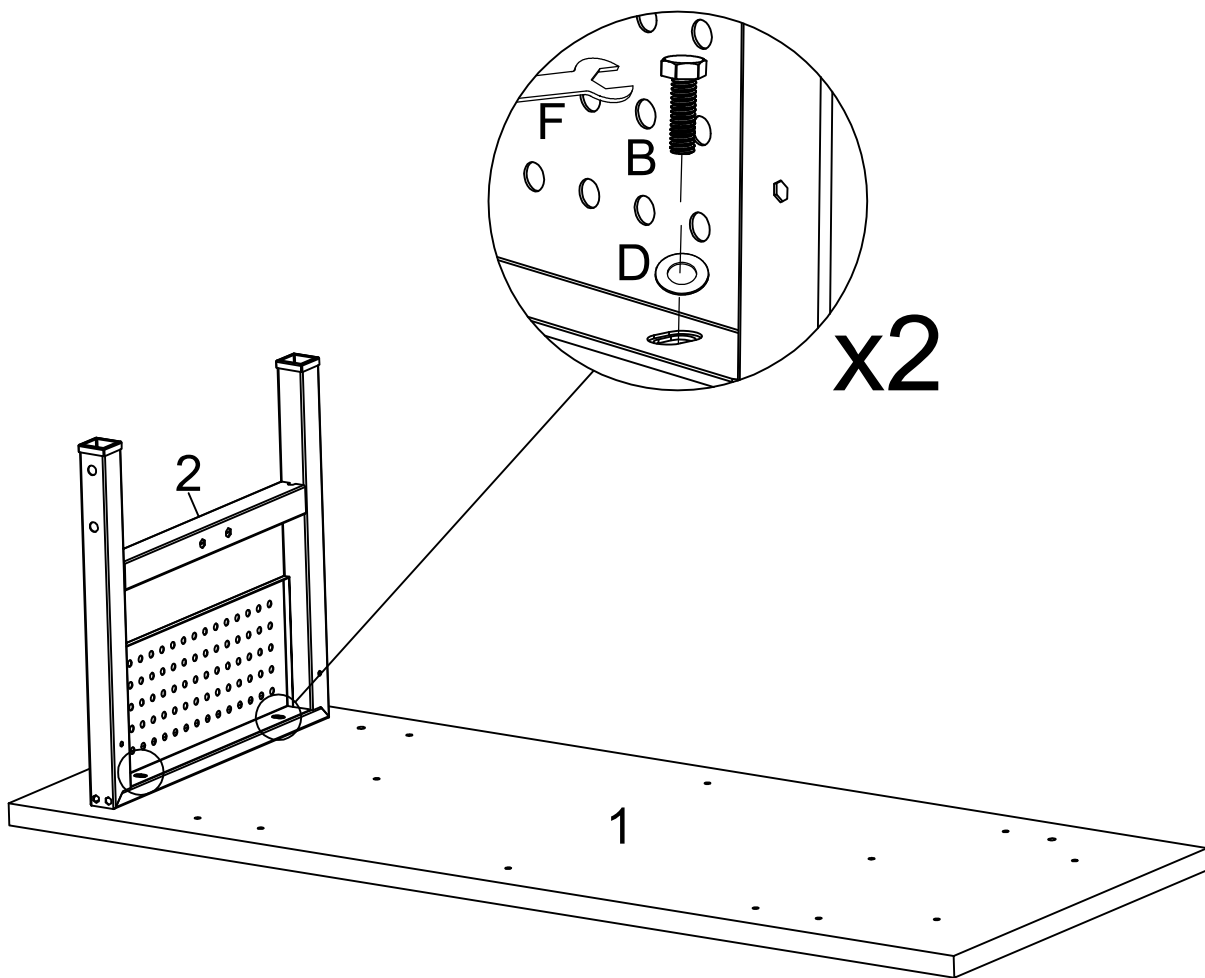
 D x 2

 F x 1

 1 x 1

 2 x 1

Note: Do not tighten the screws until step 5 is complete



# Step 2

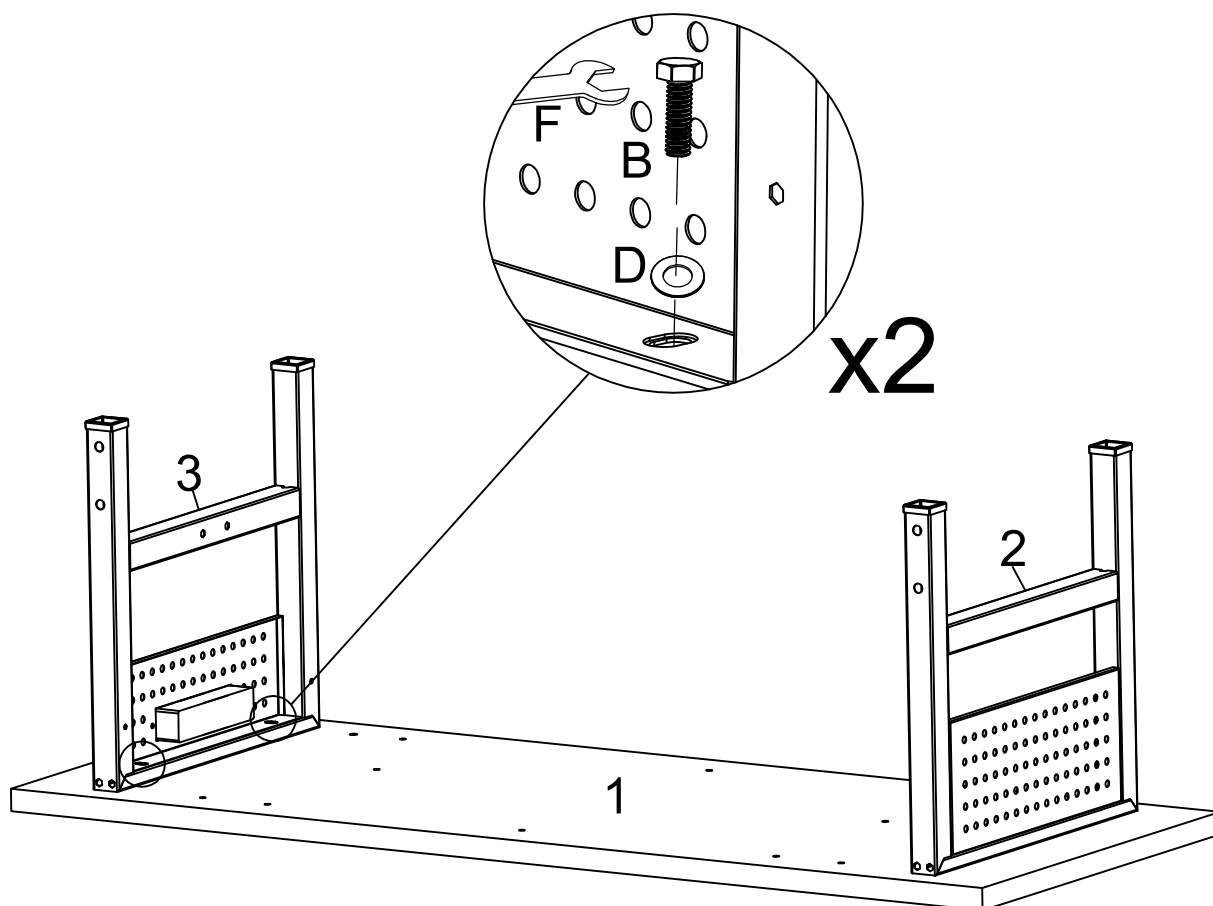
 B x 2

 D x 2

 F x 1

 3 x 1

Note: Do not tighten the screws until step 5 is complete



# Step 3



4 x 1



B x 3



D x 3



F x 1



C x 4

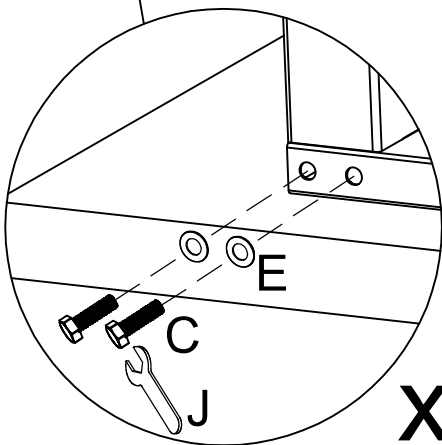
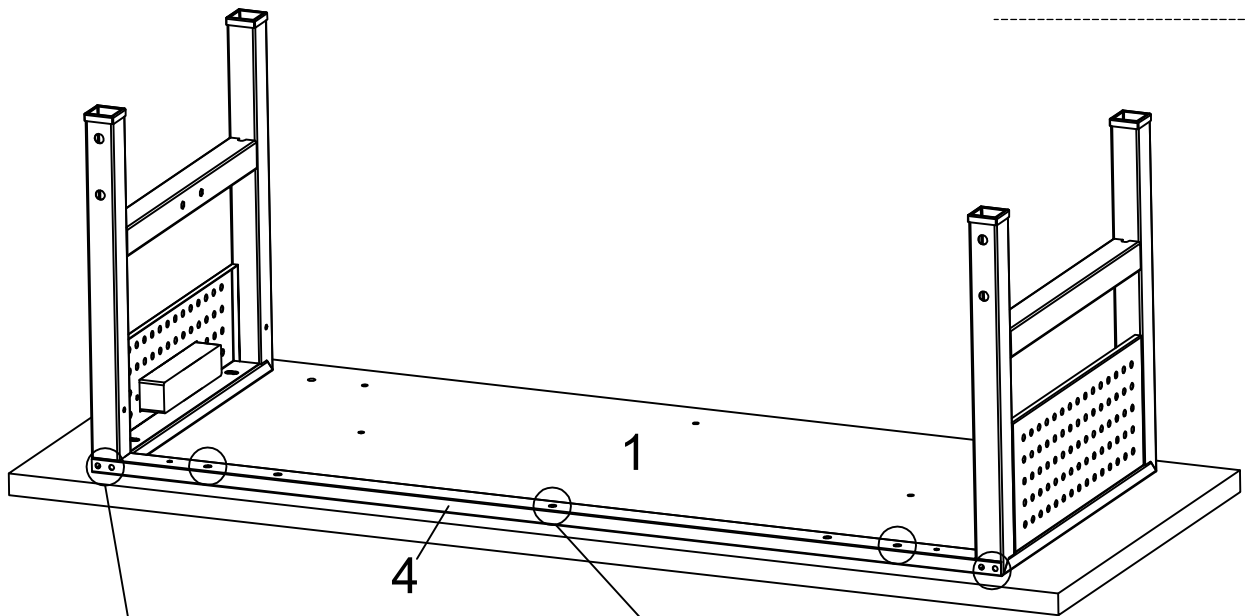


E x 4

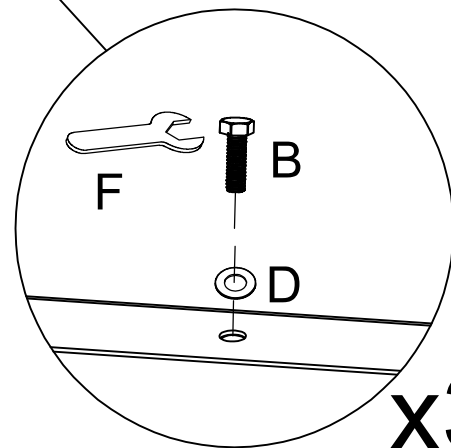


J x 1

Note: Do not tighten the screws until step 5 is complete




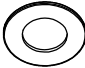


x2

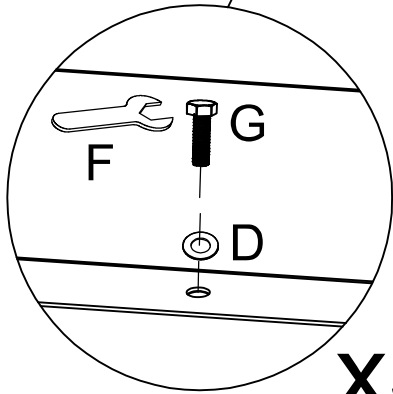
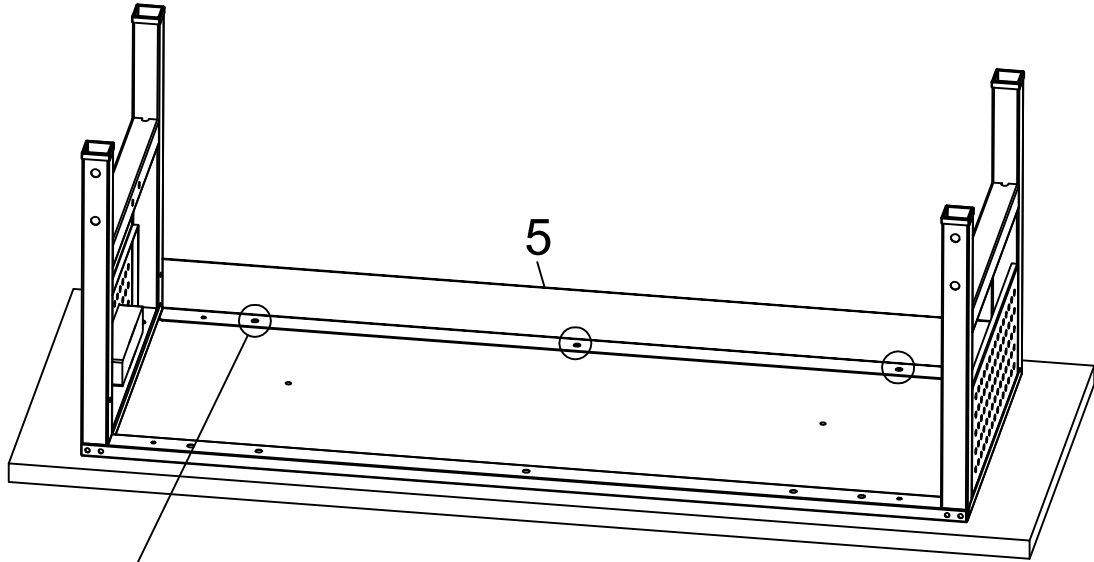


x3

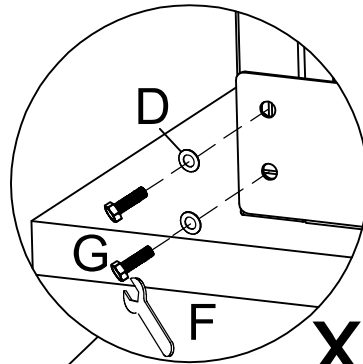
# Step 4

Note: Do not tighten the screws until step 5 is complete

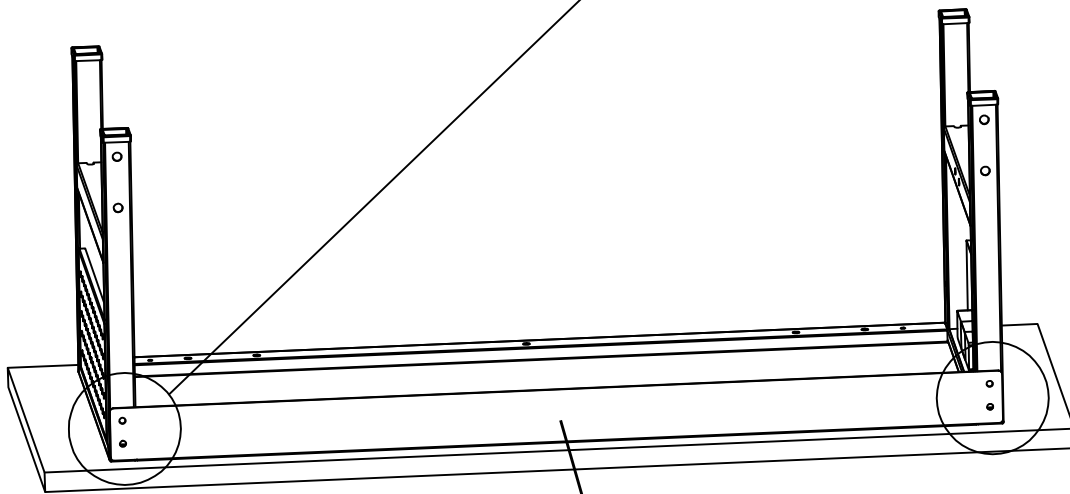
	G x 7
	D x 7
	F x 1
	5 x 1



x3



x2



5

# Step 5



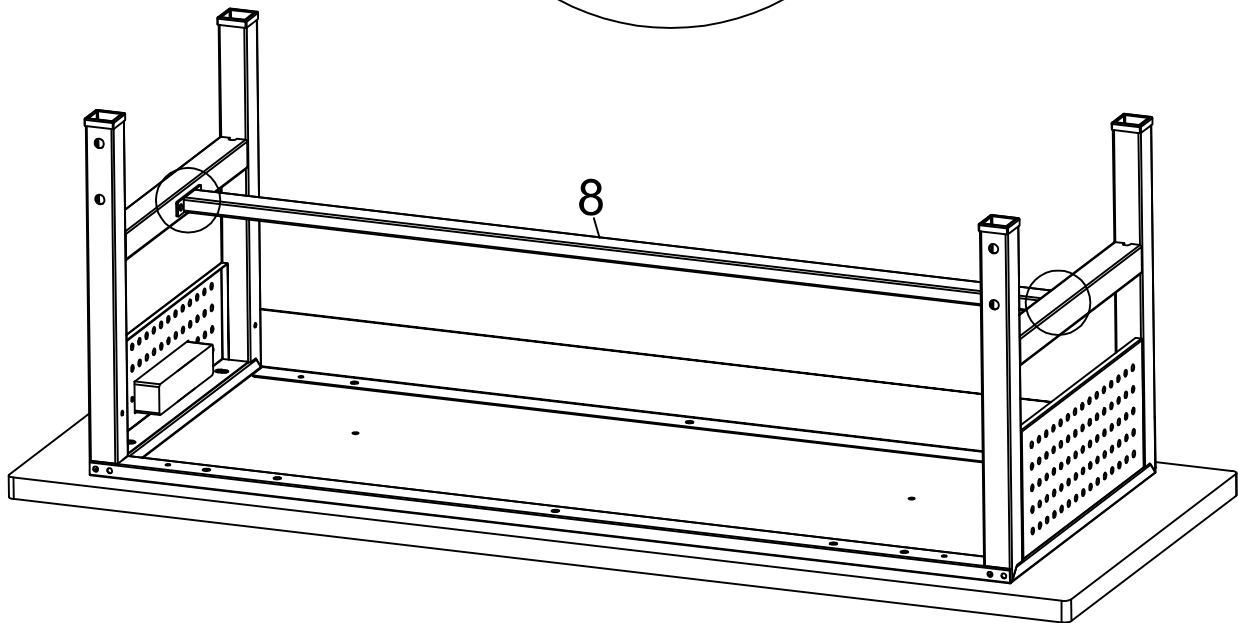
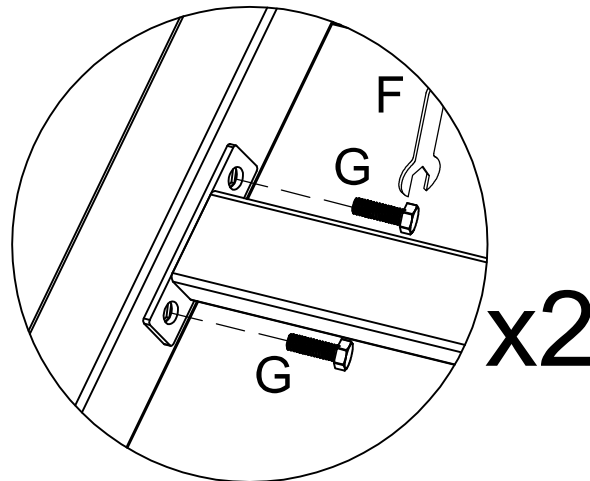
G x 4



F x 1



8 x 1



Attention: Please tighten all screws that were not tightened in steps 1, 2, 3 and 4

# Step 6



B x 4



D x 4



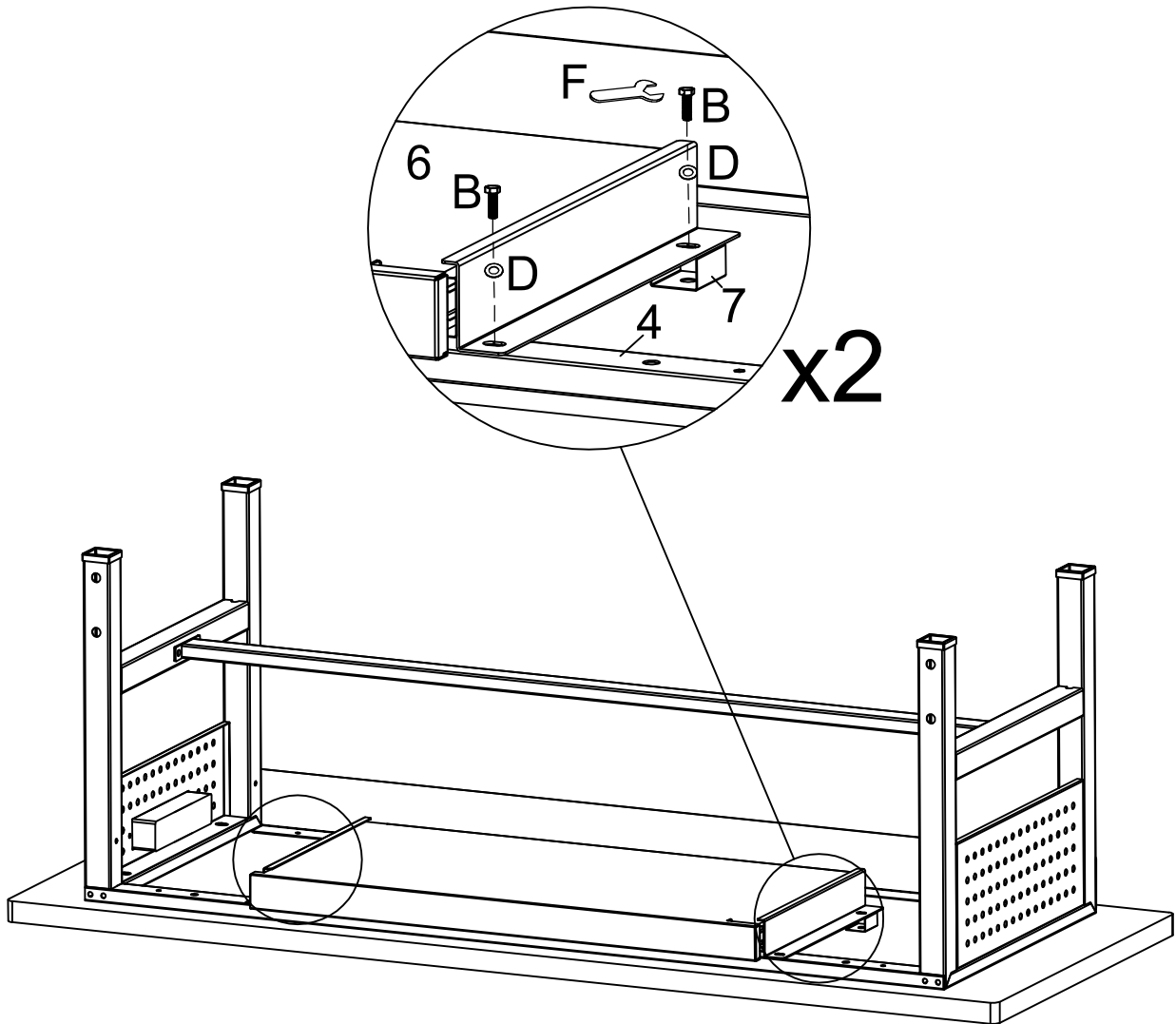
F x 1



6 x 1



7 x 2



x2

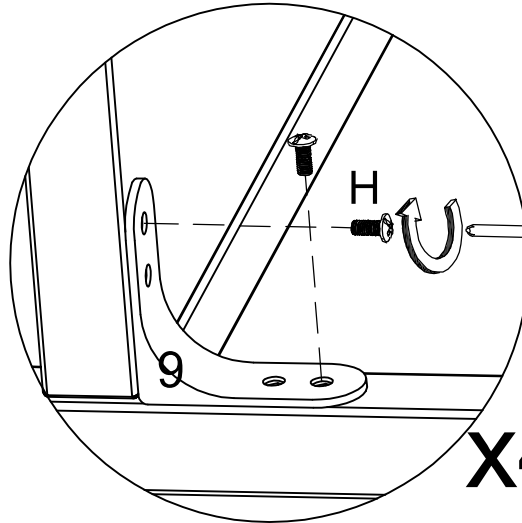
# Step 7



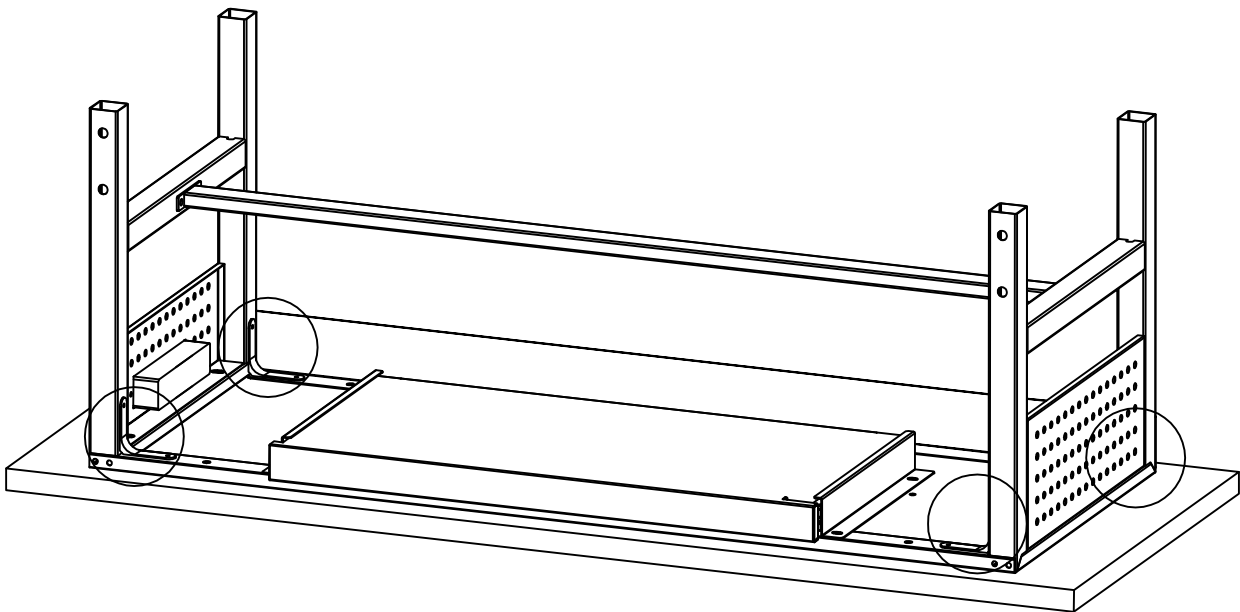
H x 8



9 x 4



x4



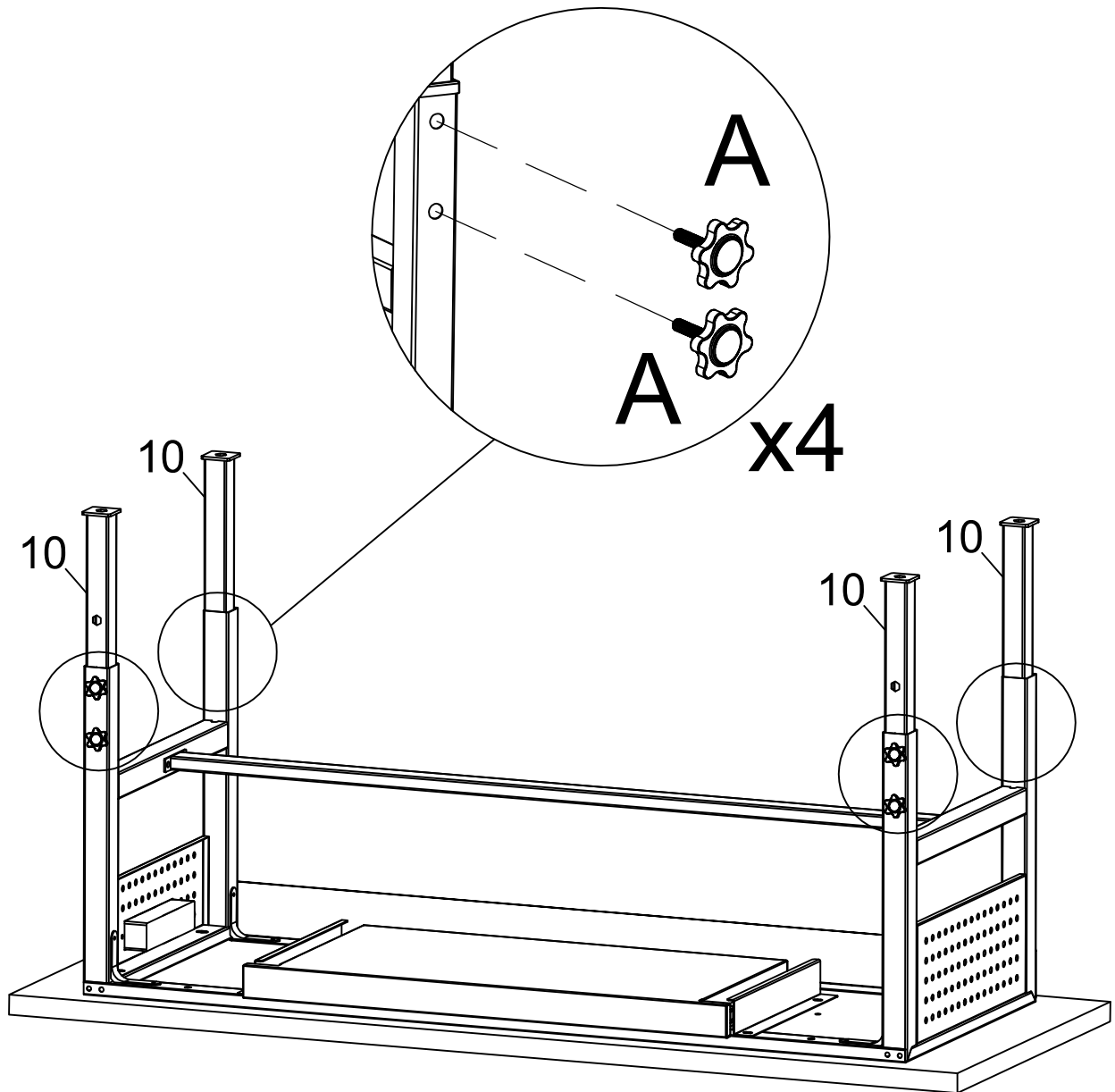
# Step 8



A x 8



10 x 4



Tip: The table legs are adjustable to multiple heights, and you can set them to your desired height according to your needs

# Step 9

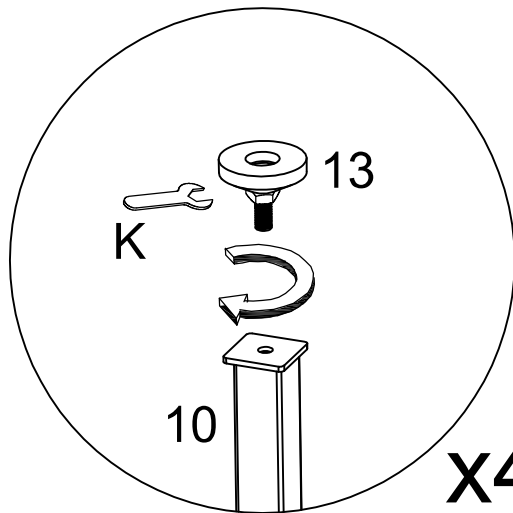


13 x 4

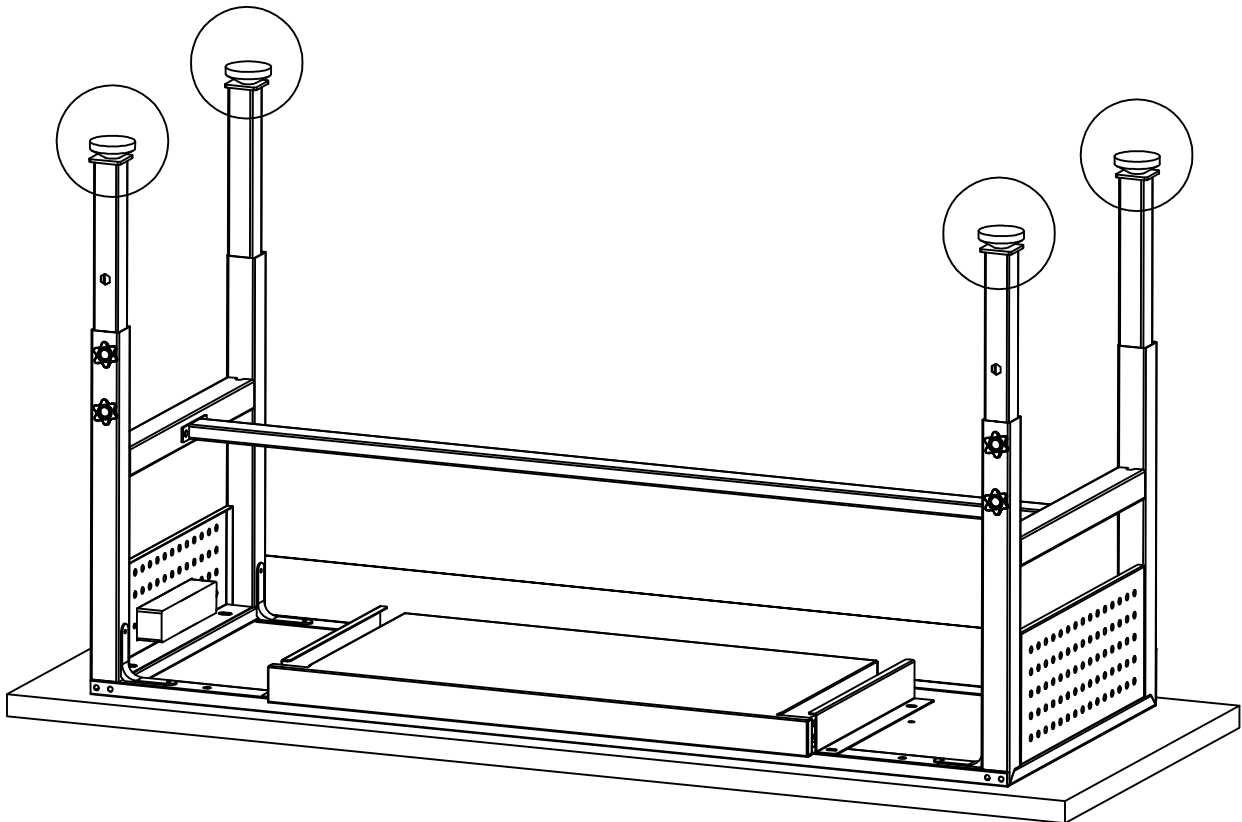
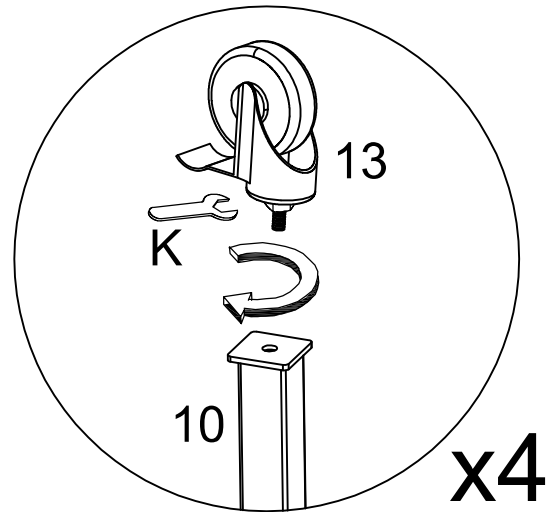


K x 1

Tips: Both types of NO.13 parts are included. Please install according to your needs



or



# Step 10



B x 6



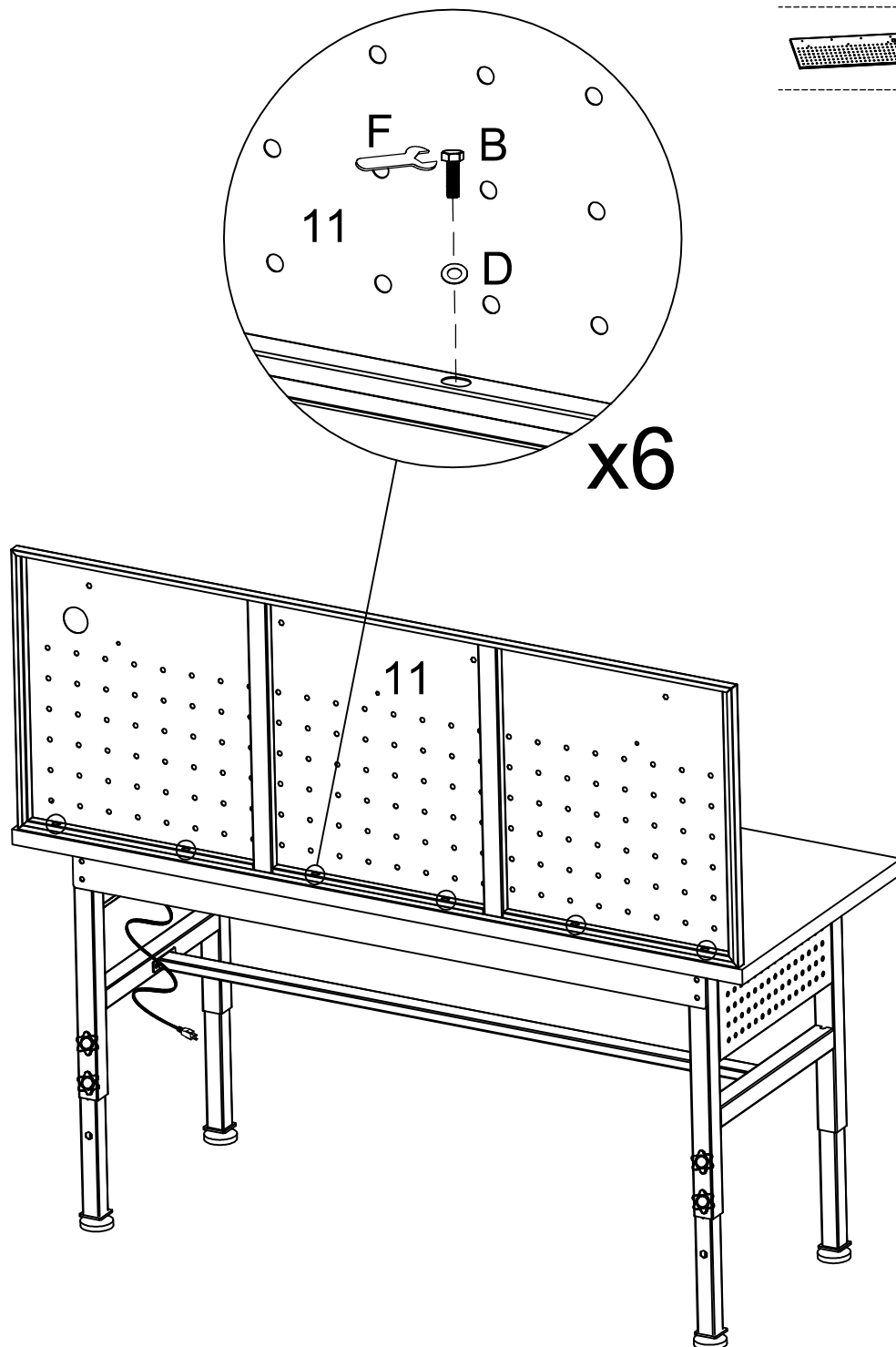
D x 6



F x 1



11 x 1



Note: In the event of an uneven floor, the tabletop may not remain level after installation. To correct this, adjust the height of Part No.13 (the adjustable foot ) until the product is stable. After adjustment, use Part K to tighten the nut on Part No.13 to secure the position and ensure maximum stability

# Step 11



12 x 1



I x 4



9 x 3



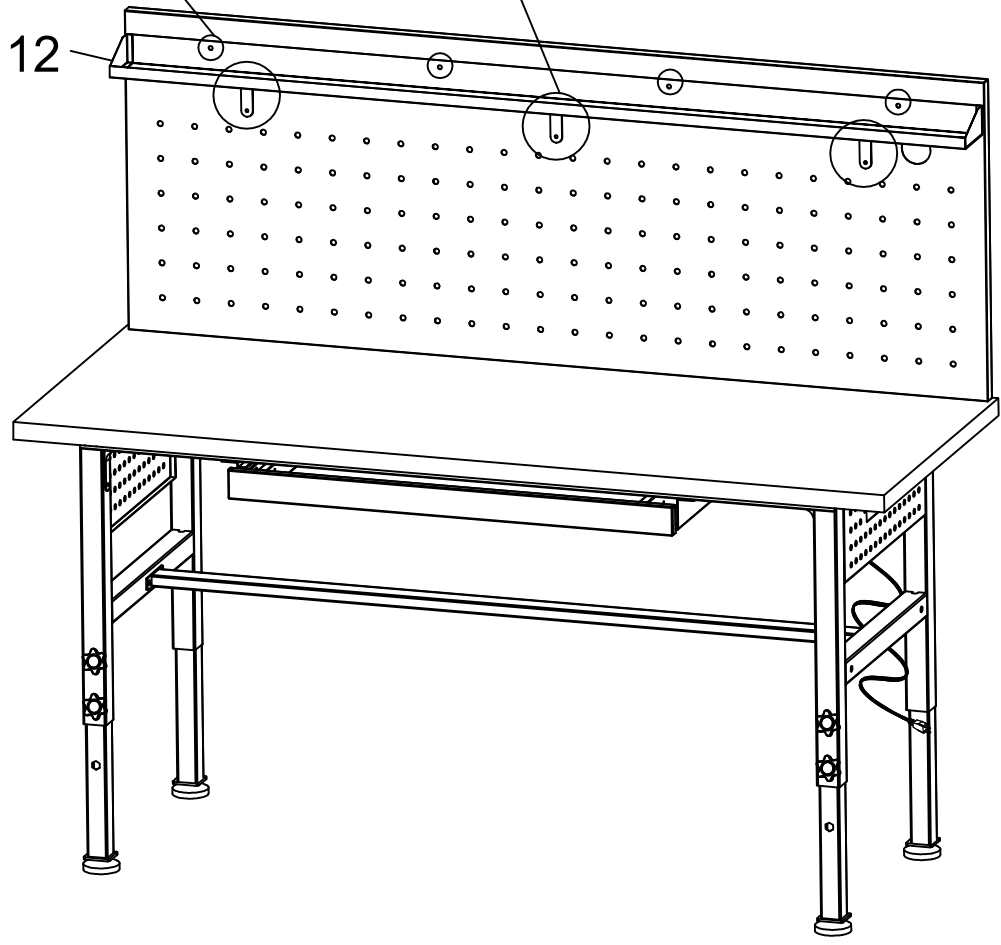
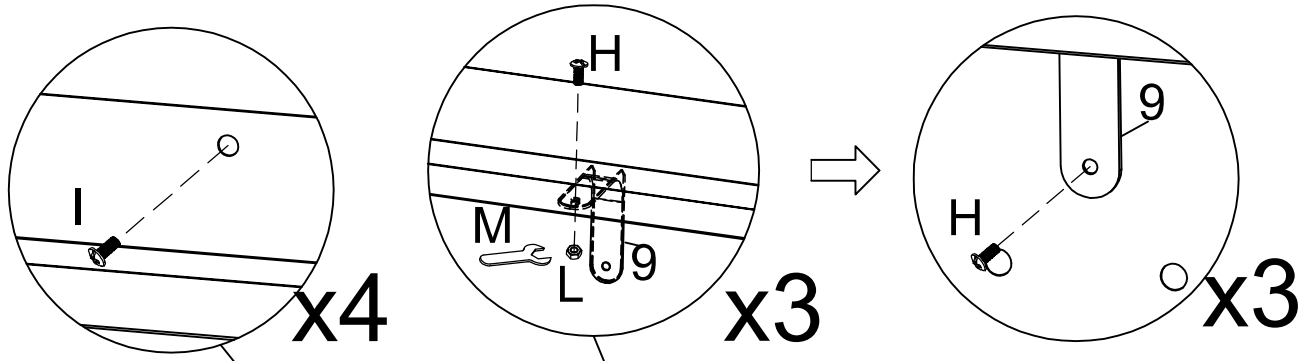
H x 6



L x 3



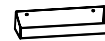
M x 1



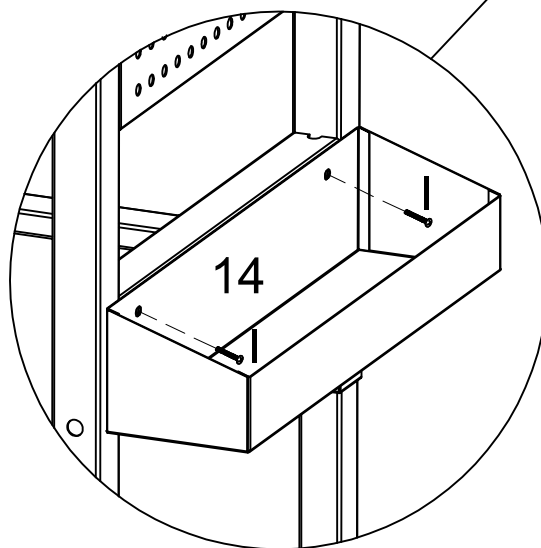
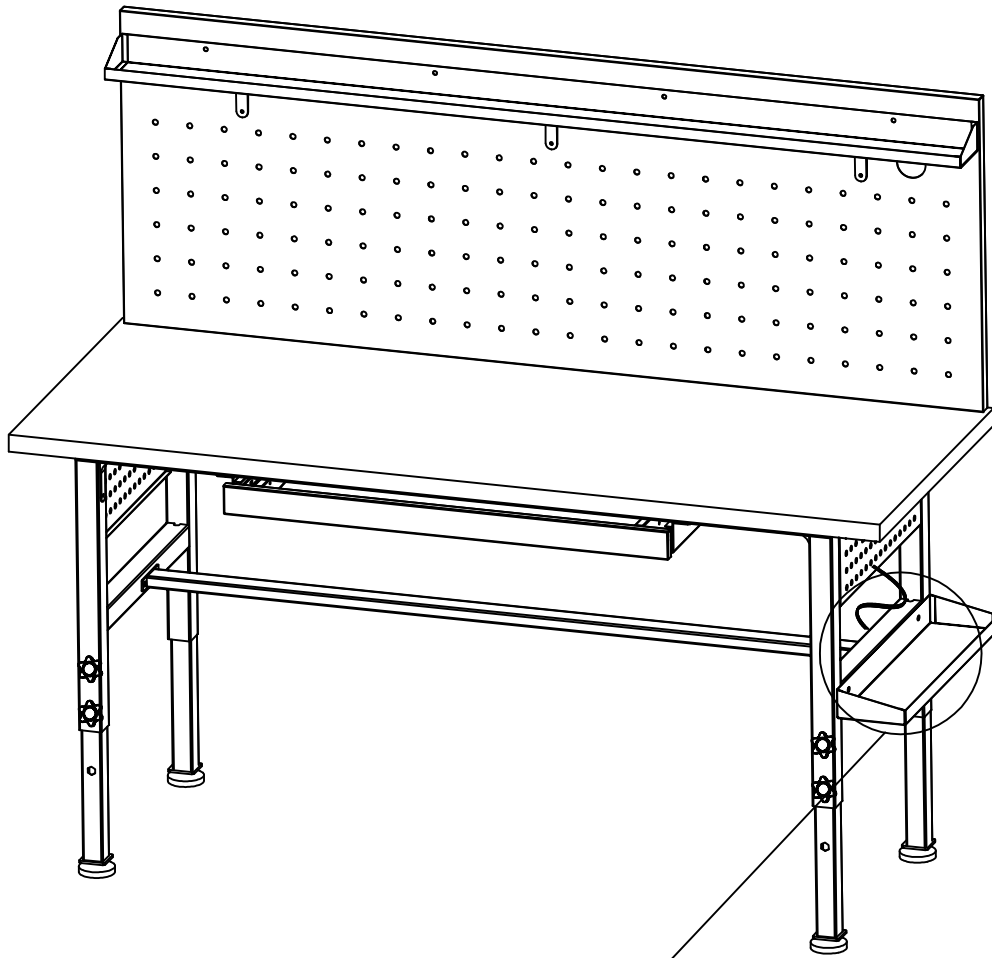
# Step 12



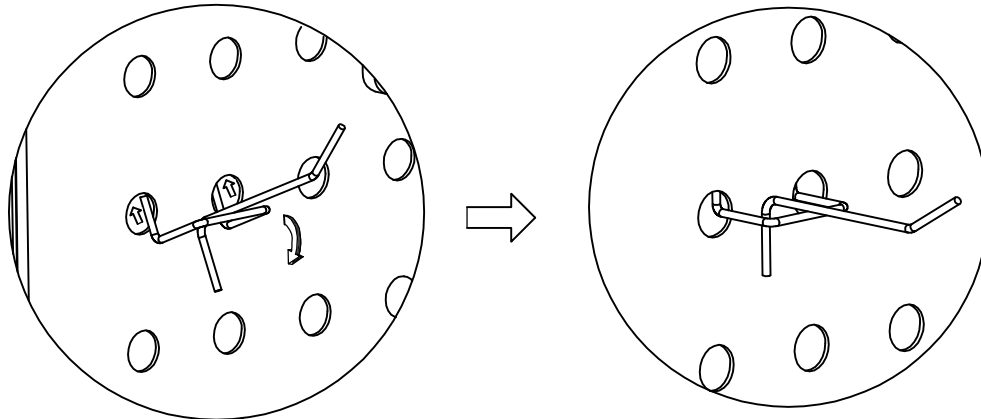
1 x 2



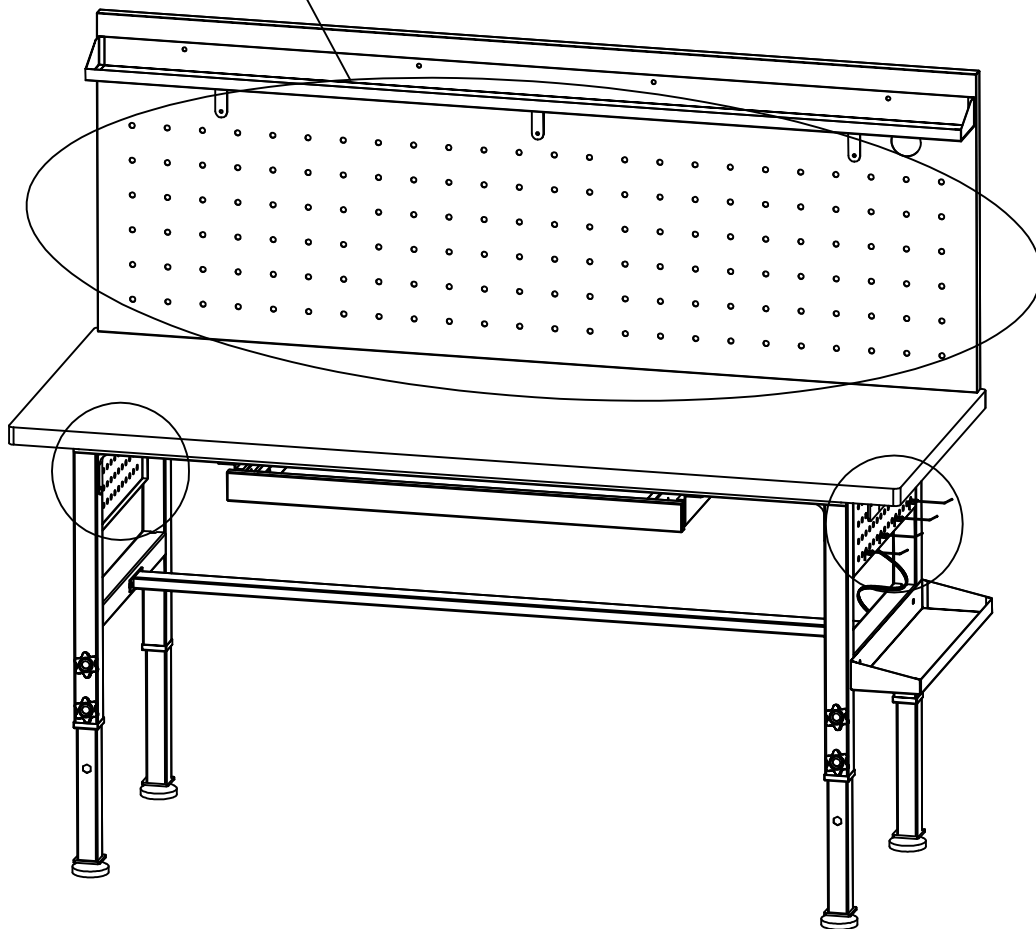
14 x 1



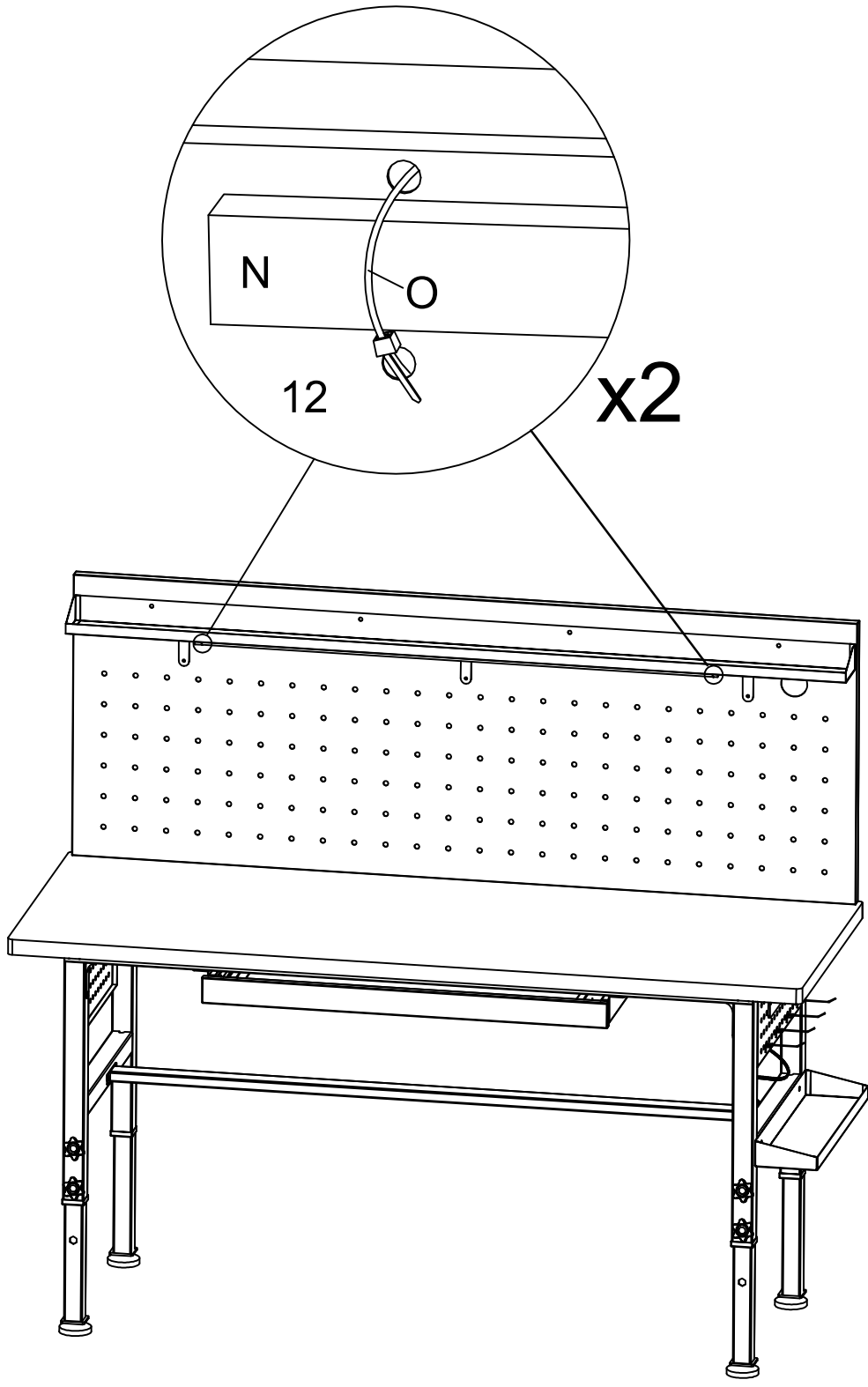
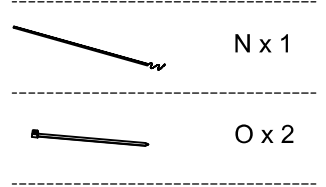
# Step 13

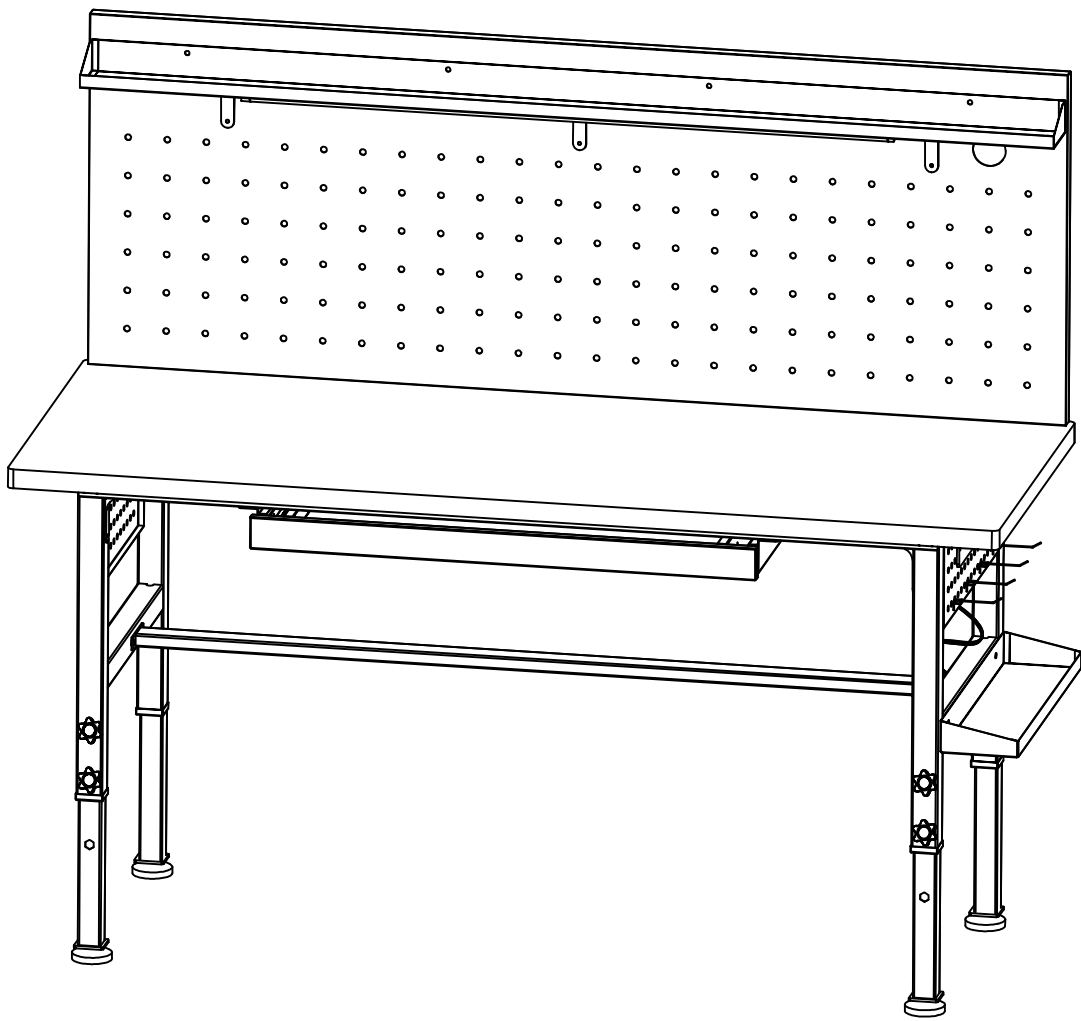


Tips: We have provided sufficient 15-type parts.  
Please choose and use them according to your  
requirements



# Step 14





Final Assembly