

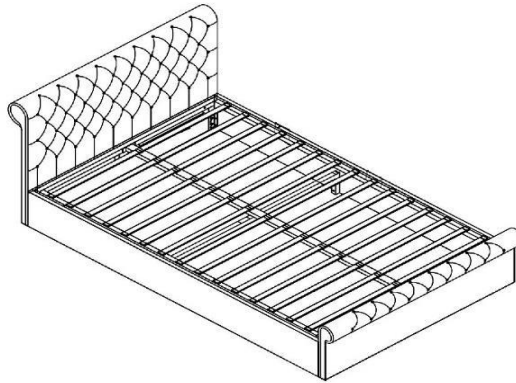
ASSEMBLY INSTRUCTIONS


IMPORTANT

Please inspect all items carefully before assembling. If for any reason you need to return this item, you must return it in its original packaging. Assembled items cannot be returned.

Please open the zip on the back of the headboard.

You may find the footboard and some of the components inside



Minimum No.of people recommended to assemble this product: Two (2) 
Approx. Assembly time: 90 mins

HELPFUL ADVICE PRIOR TO ASSEMBLING THE BED

- 1) Owing to the size and weight of the bed, we recommend that it is assembled by two adults, on a flat surface in a room that it is intended for.
- 2) Please Do Not use any tools other than those provided or recommended in these instructions.
- 3) Please Do Not discard any packaging until you have checked that you have all the parts and fittings. Keep all fittings out of reach of children.
- 4) Assemble all parts loosely until advised to tighten. Depending on use, it maybe necessary to tighten the fittings from time to time, So please save your Allen key and Spanner that has been provided.

WARNINGS

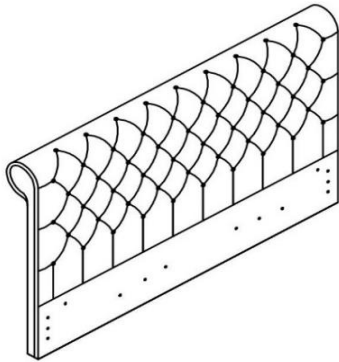
- 1) Please ensure children Do Not play in the storage area or try to lift up the metal frame.
- 2) Once assembled, put mattress on frame before pushing it down and only lift up or push down the metal frame with mattress on top.
- 3) Please Do Not stand on the storage base at any time.
- 4) Do Not throw away any of the packaging or the instructions booklet until you have checked all the components and fittings and the furniture is fully assembled.

HOW TO USE BED

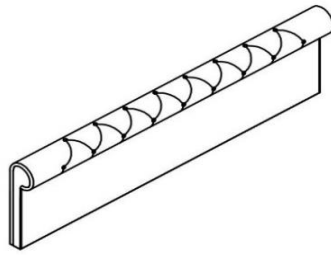
When the bed is fully assembled, Lift the frame up using strap on the footboard. To close the frame you will need to place both hands on the horizontal metal bar at the footboard end that is in the air (one hand in the centre of each of the two rows of slats). The bed will only work if this done centrally. Apply pressure to close the bed. Do Not try to close from the side or any other way. Please also note the gaslift lift arms do not move up and down on their own and only work if the bed is fully assembled and is assembled correctly and will only work normally with mattress on the frame.

PLEASE LOCATE FOOTBOARD AND FITTINGS INSIDE THE ZIPPED COMPARTMENT BEHIND THE HEADBOARD

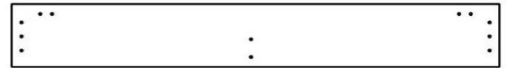
Components



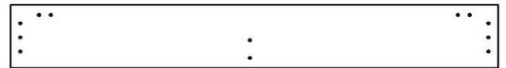
1 Headboard X1



2 Footboard X1



3 Siderail Left X1



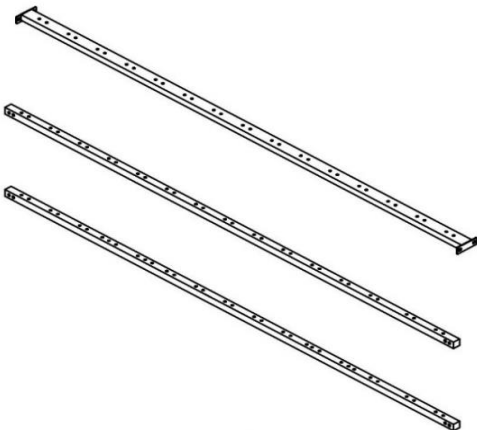
4 Siderail Right X1



5 Support Block X2



17 Corner Angle Bracket X2



6 Central Support Bar X1

7 Side rail of Metal Frame X1

8 Side rail of Metal Frame X1



18 Mattress stopper X2



19 Fabric Strap X1



9 Connection bar X2

10 Folding mechanism (R) X1

11 Folding mechanism (L) X1



20 End Slat Cap X30

12 Pneumatic cylinder X2

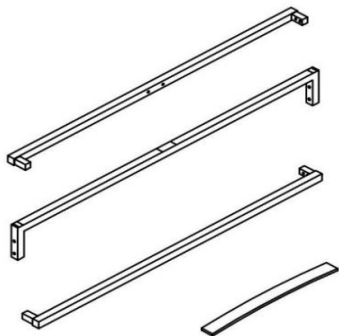
13 Cross Rail of Headboard X1

14 Cross Rail X1

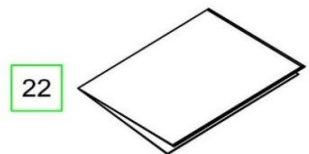
15 Cross Rail of Footboard X1



21 Central Slat Cap X15




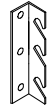















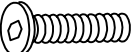
16 Slat X30

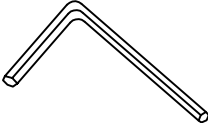
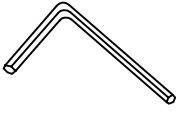
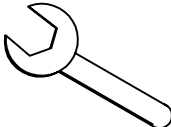


22 Non-Woven Fabric X1

Hardware

 A 	Connection Plate Left × 2
 B 	Connection Plate Right × 2
 C 	M6*45mm Bolt × 4
 D 	M8*20mm Bolt × 24
 F 	Washer × 12

 G 	Nut × 4
 H 	M8*15mm Bolt × 18
 I 	M6*20mm Bolt × 8
 J 	M8*35mm Bolt × 8

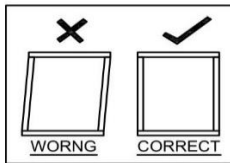
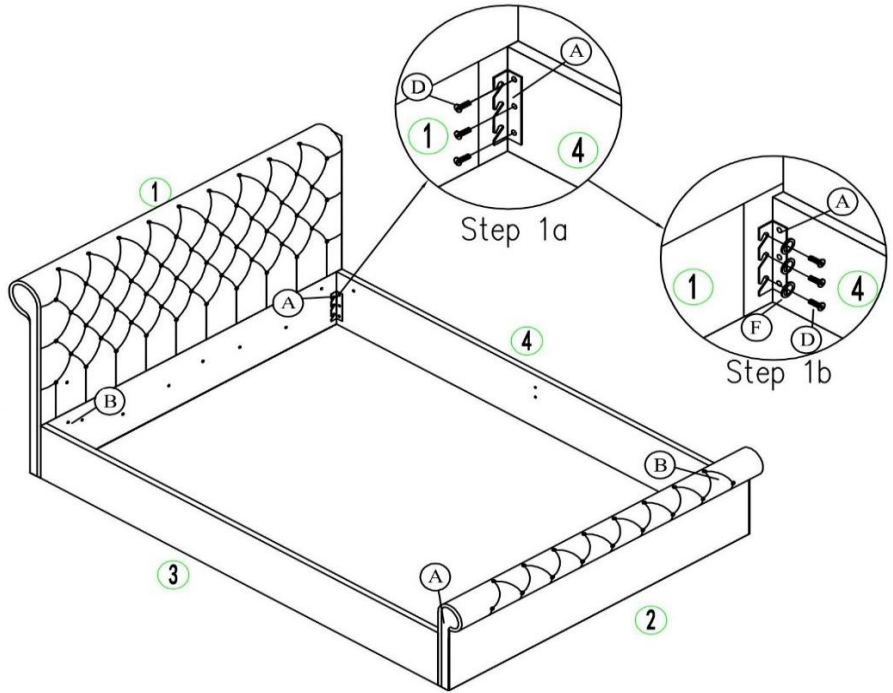
	Allen key M5
	Allen key M4
	Spanner

ASSEMBLY INSTRUCTIONS

Step 1:

Step 1a : Secure Connection Plate Left (A) & Right (B) to Siderail B (4) & Siderail A (3) using Bolt (D) and Allen Key M5

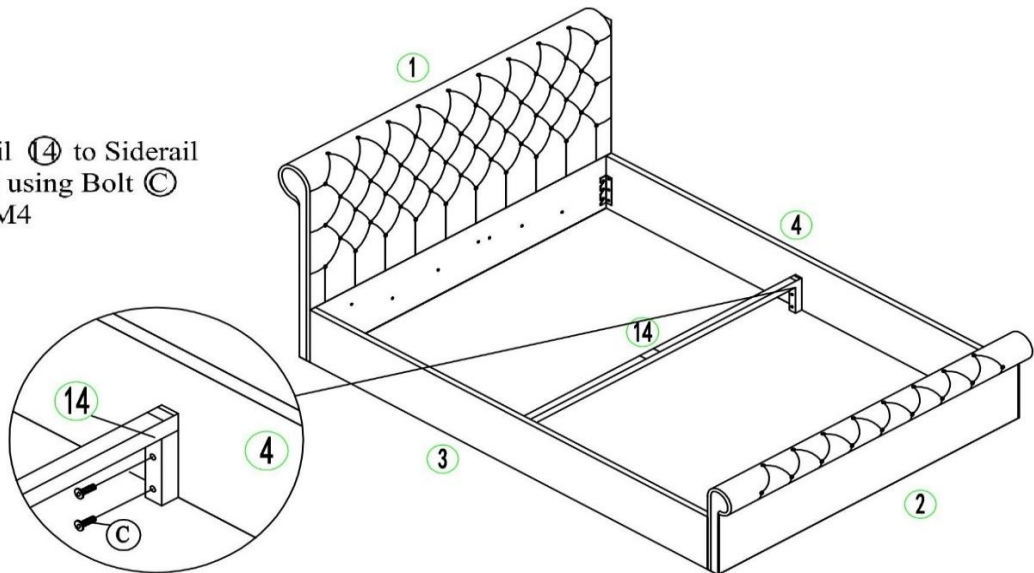
Step 1b : Secure Connection Plate Left (A) & Right (B) to Headboard (1) & Footboard (2) using Bolt (D), Washer (F) and Allen Key M5



NB: Before tightening the bolts, please ensure the bed frame is square

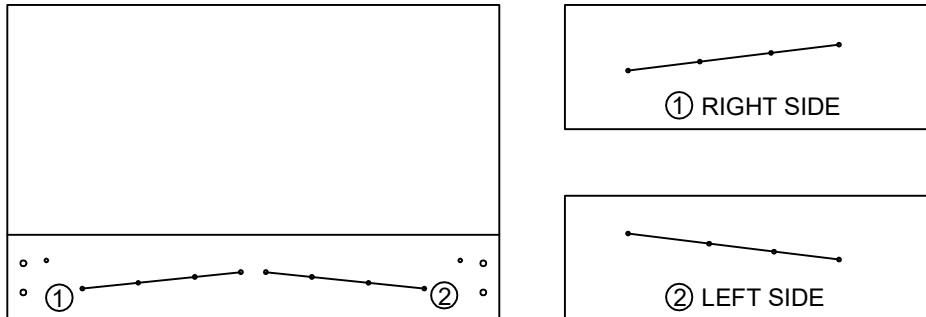
Step 2:

Secure Cross rail (14) to Siderail (4) & Siderail (3) using Bolt (C) and Allen Key M4

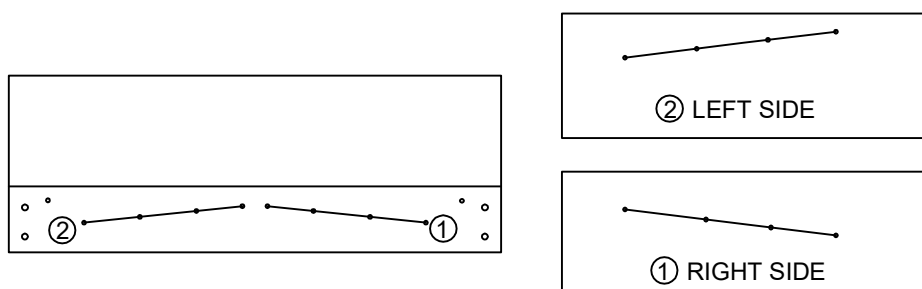


Step 3

Fixing Folding Mechanism to Headboard and Footboard.



Step 3a: HEADBOARD - The Three Pre-drilled holes on the headboard are for the installation of the gaslift Folding mechanism for the ottoman to be Installed and lifted on the **LEFT** or **RIGHT** side of the bed, at user's choice.



Step 3b: FOOTBOARD - The Three Pre-drilled holes on the footboard are for the installation of the gaslift Folding mechanism for the ottoman to be Installed and lifted on the **LEFT** or **RIGHT** side of the bed, at user's choice.

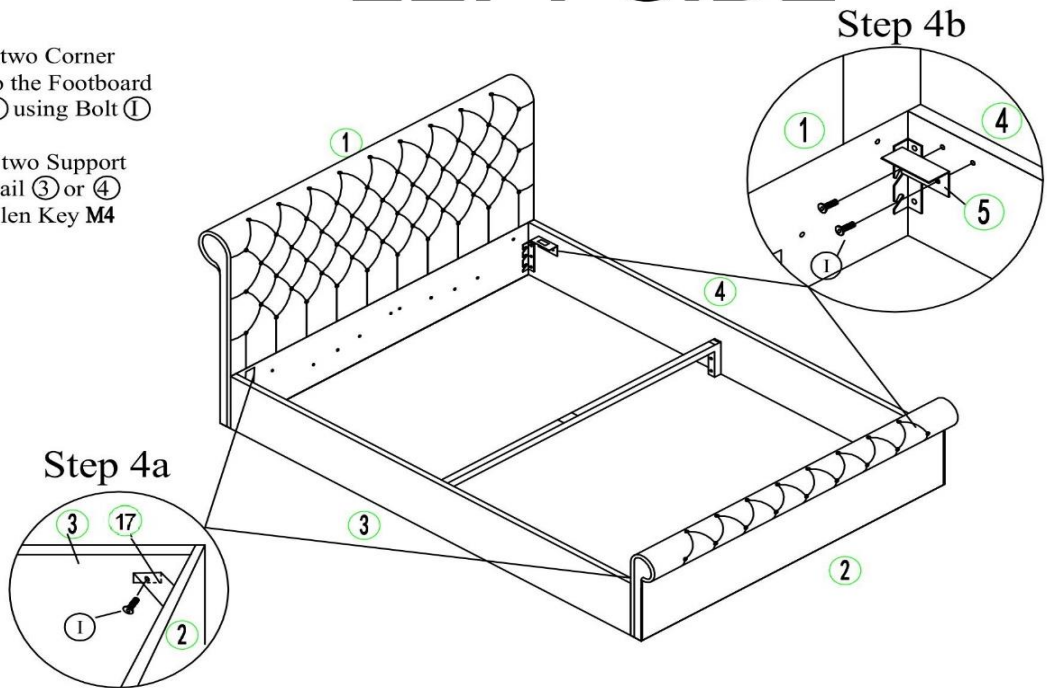
ASSEMBLY INSTRUCTIONS

Step 4

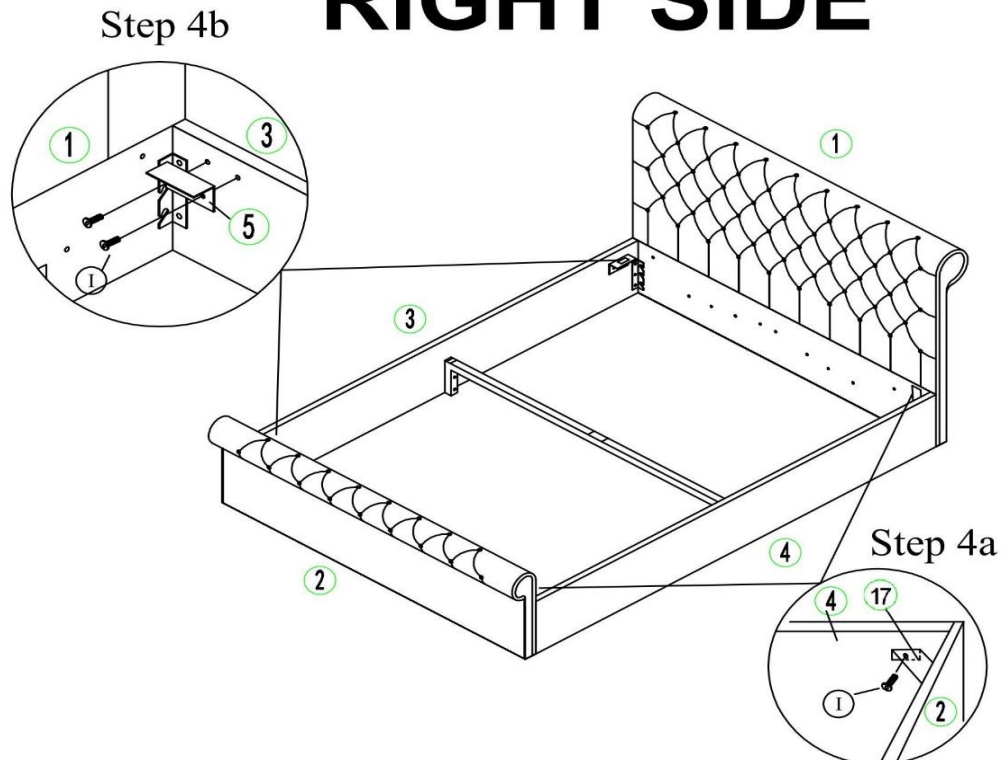
LEFT SIDE

Step 4a : Secure the two Corner Angle brackets (17) to the Footboard (2) And Headboard (1) using Bolt (1) and Allen Key M4

Step 4b : Secure the two Support block (5) to the Siderail (3) or (4) using Bolt (1) and Allen Key M4



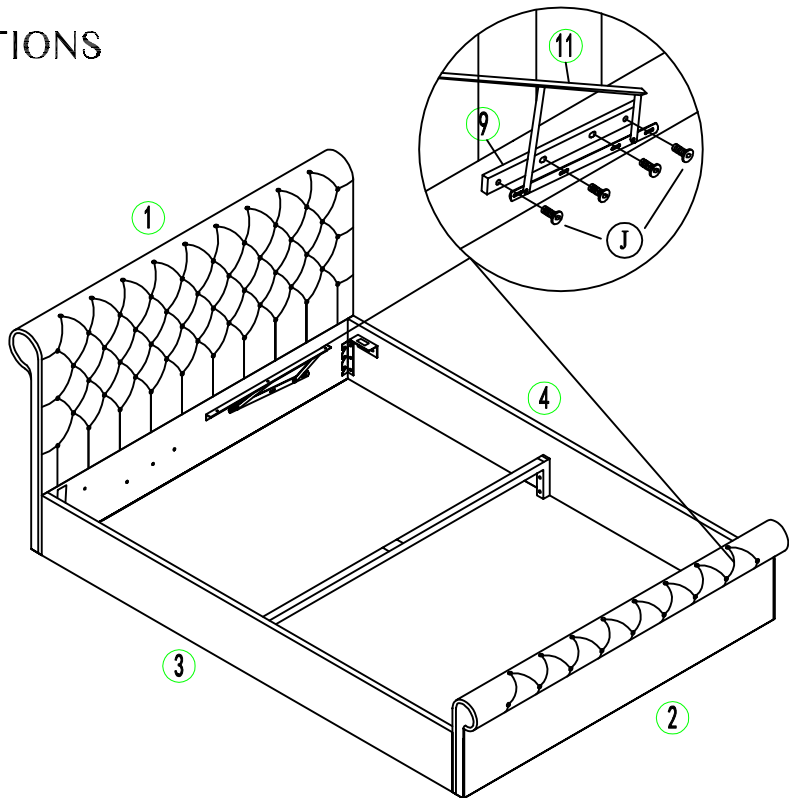
RIGHT SIDE



ASSEMBLY INSTRUCTIONS

Step 5:

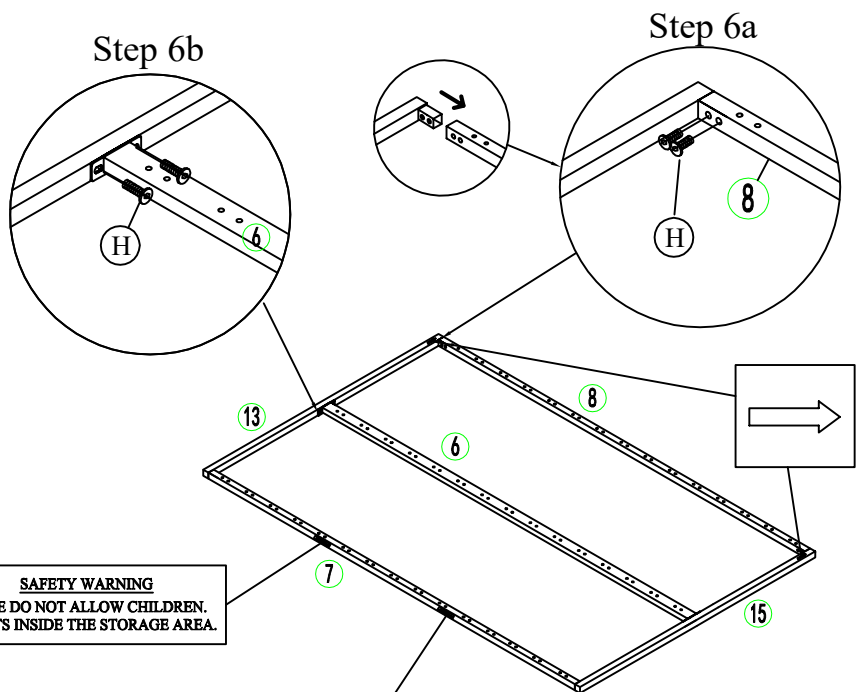
Step 5 : Secure Folding mechanism-Right ⑩ & Left ⑪ and Connection bar ⑨ to Headboard ① & Footboard ② using Bolt ④ and Allen Key M5



Step 6:

Step 6a : Secure Cross rail of Headboard ⑬ & Cross rail of Footboard ⑮ to Side rail of metal frame ⑦ & ⑧ using Bolt H and Allen key M5

Step 6b : Secure Central support rail ⑥ to Cross rail of Headboard ⑬ and Cross rail of Footboard ⑮, using Bolt ④ and Allen key M5



SAFETY WARNING
PLEASE DO NOT ALLOW CHILDREN.
OR PETS INSIDE THE STORAGE AREA.

SAFETY WARNING
PLEASE BE CAREFUL WHEN LIFTING.
ONLY LIFT WITH MATTRESS ON TOP.
TO BE OPERATED BY ADULTS ONLY.

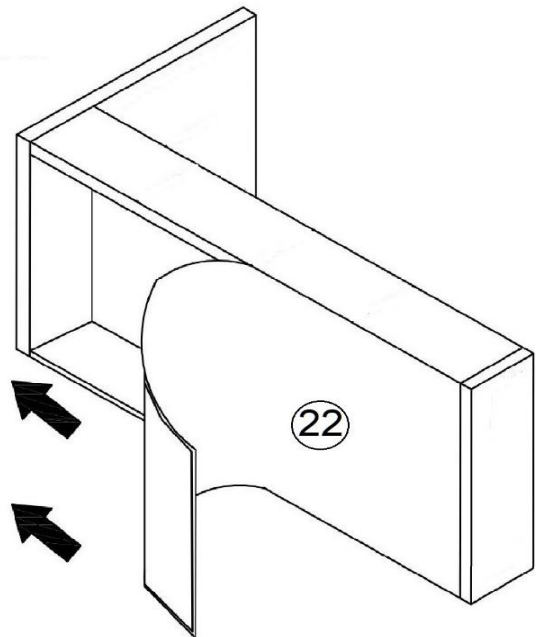
ASSEMBLY INSTRUCTIONS

Step 7:

Attach the Non Woven fabric Base



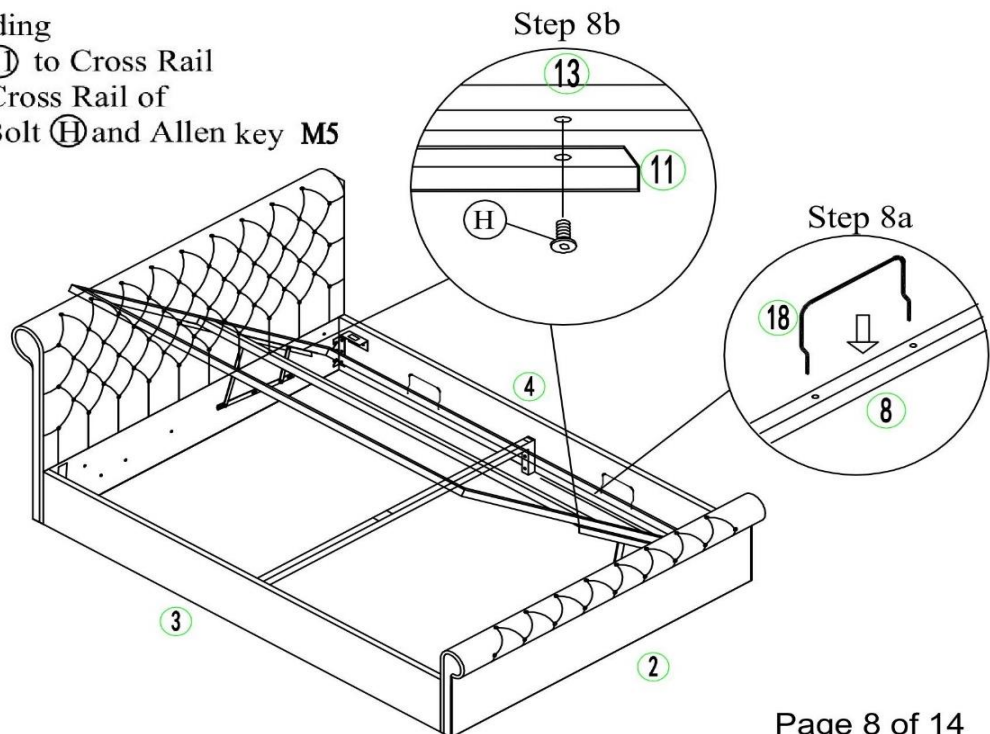
Turn bed on its side and attach the Non-woven fabric (22) to the Velcro strip on the underside of the edge of the bed base.



Step 8:

Step 8a : Slot in Mattress stopper (18) to Siderail (8)

Step 8b : Secure Folding mechanism (10) & (11) to Cross Rail of Headboard (13) & Cross Rail of Footboard (15) using Bolt (H) and Allen key M5



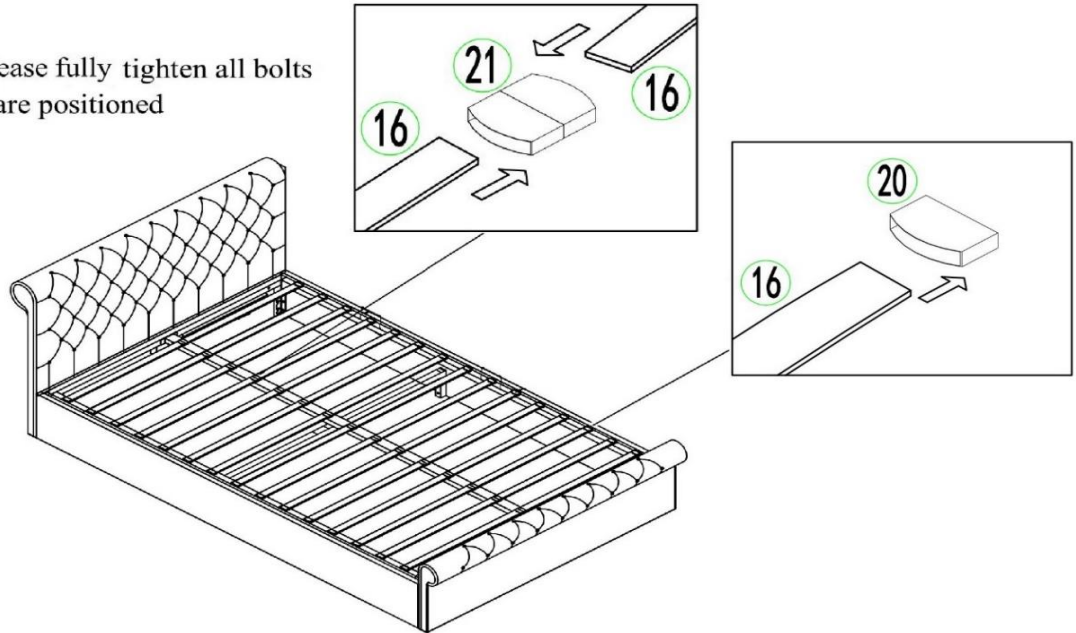
ASSEMBLY INSTRUCTIONS

Step 9:

Step 5: Slot the slats ⑬ into the end slat cap ⑳ and central slat cap ㉑ as shown.

Attach slats ⑬ to the side rails of metal frame ⑦ & ⑧ and central support bar ⑥ then firmly press into place.

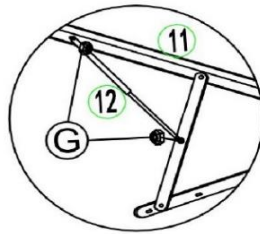
After this step, please fully tighten all bolts after all the parts are positioned



Step 10:

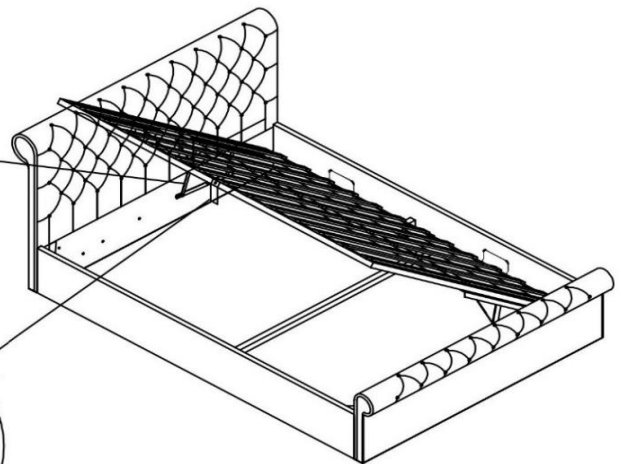
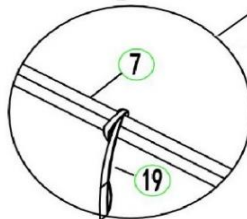
Step 10a: Secure Pneumatic cylinder ⑫ to folding mechanism ⑩ & ⑪ using Nut ⑮ and Spanner

Step 10a



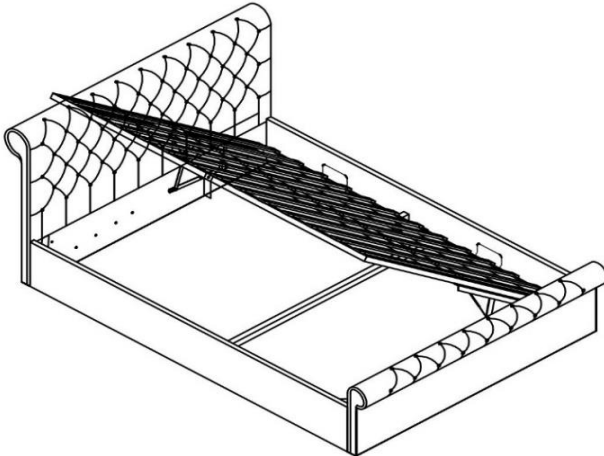
Step 10b

Step 10b: Attach Fabric Strap ⑲ to Siderail ⑦

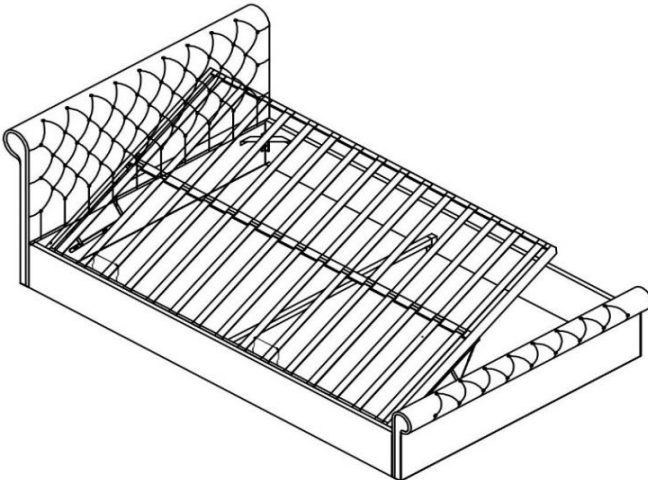


ASSEMBLY INSTRUCTIONS

LEFT SIDE



RIGHT SIDE



IMPORTANT INFORMATION

OTTOMAN OPERATING INSTRUCTIONS

Once your bed frame is completely assembled, the slat frame unit will not operate correctly unless a mattress is placed on the slat frame. Position the mattress onto the slat frame whilst it is in the closed position.

The pistons used in the construction of this product are extremely strong and cannot be operated by hand when not fitted to the ottoman hinges. All pistons are tested in the factory for correct pressure and operation before use.

Initially it might appear that the pistons are very stiff when opening and closing the ottoman frame, THIS IS NORMAL.

After operating the ottoman a few times, the movement of the pistons and the opening and closing of the ottoman will become easier.

PLEASE NOTE - It takes a lot of force to make the initial movement of the ottoman. **THIS IS A DESIGN FEATURE OF THE PRODUCT SO THAT IT DOES NOT FALL SHUT.** When the ottoman is almost shut, it will close completely under its own weight. The speed of closing depend on the weight of the mattress so always keep fingers clear of the frame. Periodically check and tighten bolts to ensure that the components are tight and secure.

When lowering the slat unit for the first time, take care to make sure it does not rub unevenly on the inside face of the Side Rail. If it does, the bed has been assembled slightly out of square. This can be rectified by moving the Footboard of the bed slightly to the left or right whilst leaving the headboard of the bed frame stationary.

If you are experiencing difficulty with the initial compression try fitting one piston at a time (following the Assembly Instructions) then press down on the side of the frame with the piston fitted - this acts like a big lever (The weight of the mattress can be used to supplement the load exerted). Effectively you are doubling the amount of force applied, because you have halved the resistance offered by the pistons. It can take slightly more effort than you might feel comfortable applying to the bed frame at first.

WARNING

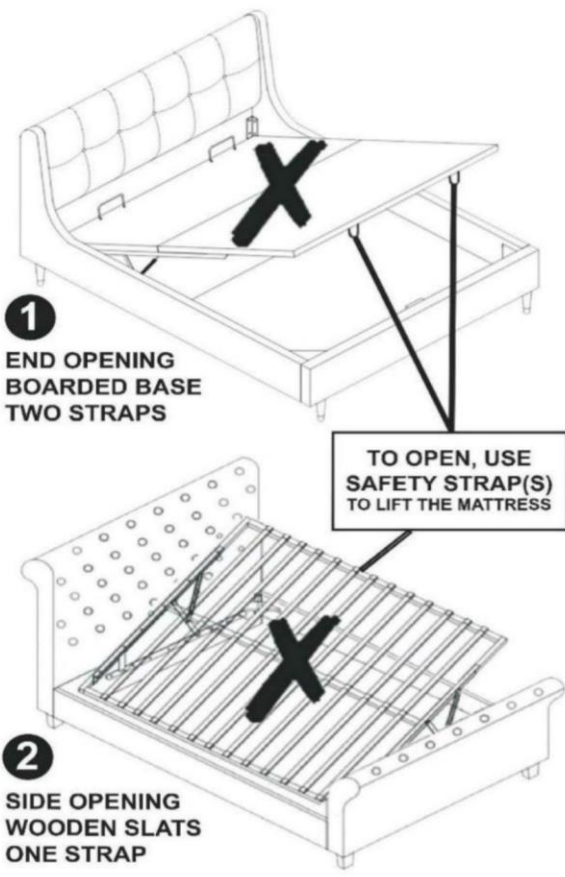
For the safety of yourselves and others, please ensure that:

- **Children and pets are not left unattended when the frame is in the lifted position as they could become trapped inside the ottoman space.**
- **Please keep children and pets away from the ottoman bedstead whilst opening and closing the slat frame to avoid injury.**
- **The items store under the bed - i.e. the top of an item must not touch the underside of the mattress metal frame base or it may get damaged.**

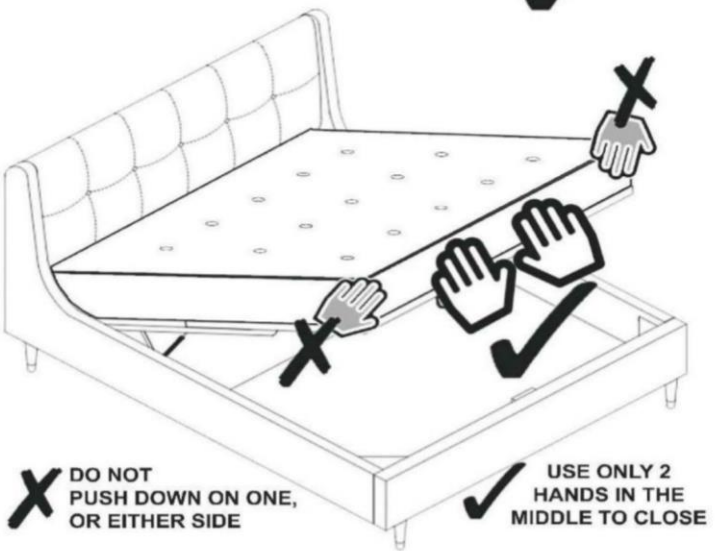
ATTENTION Important Notes Regarding Gas Lifts

This information applies to all types of gas lift storage, regardless of the base top: boarded base **1** or wooden slats **2** and regardless of opening configuration: end opening **1** / side opening **2**

NEVER OPEN OR CLOSE WITHOUT A MATTRESS ON TOP OR YOU RISK TWISTING THE FRAME, DAMAGING THE BED OR PERSONAL INJURY!



3 ONCE THE MATTRESS IS ON TOP, YOU CAN OPEN & CLOSE THE BED SAFELY ✓

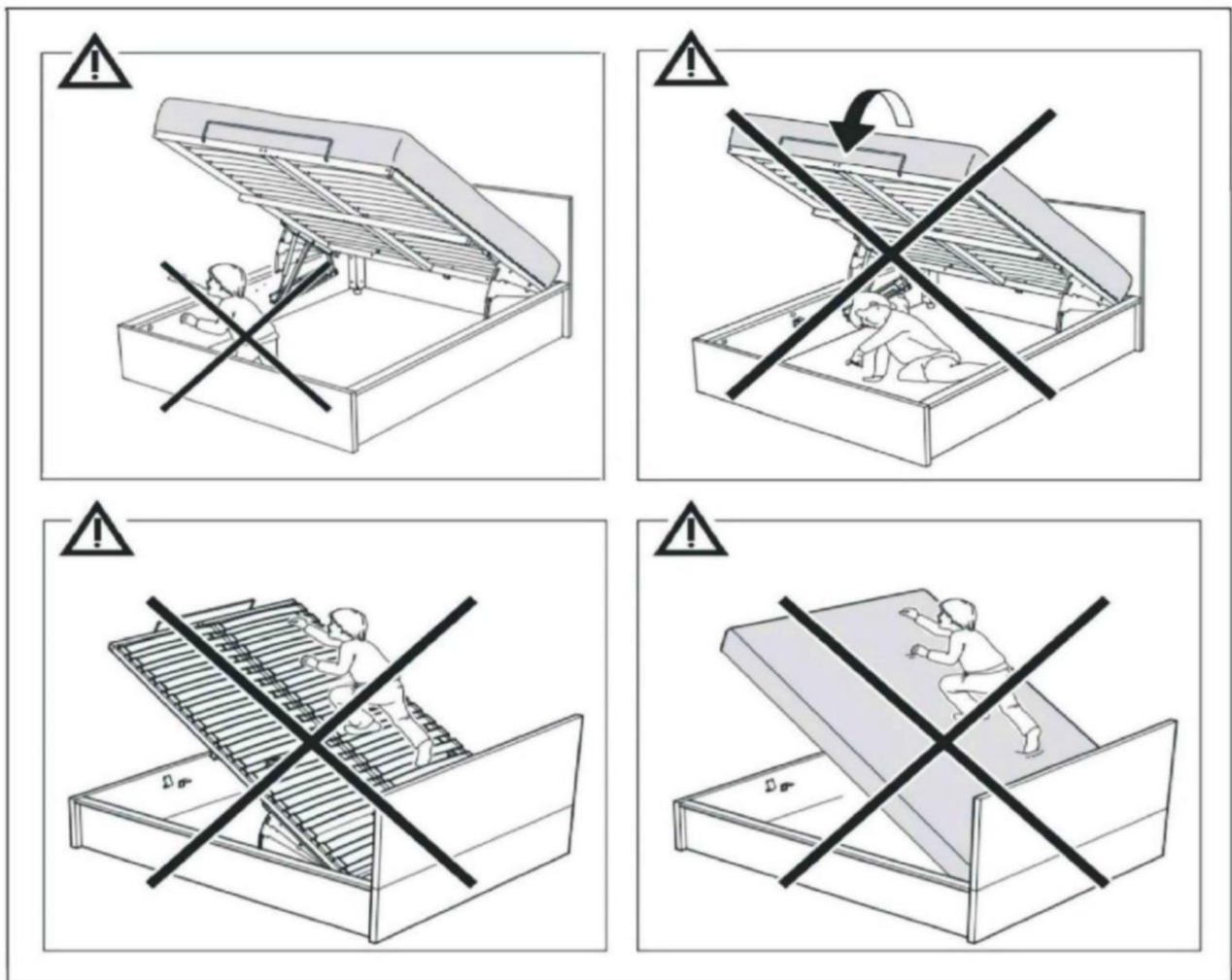


Once all the nuts and bolts are tightened firmly, the first time you close the lifting mechanism, push down with extra pressure to force open the seals on the pistons. This will feel like a lot of pressure, so be firm and it will close!

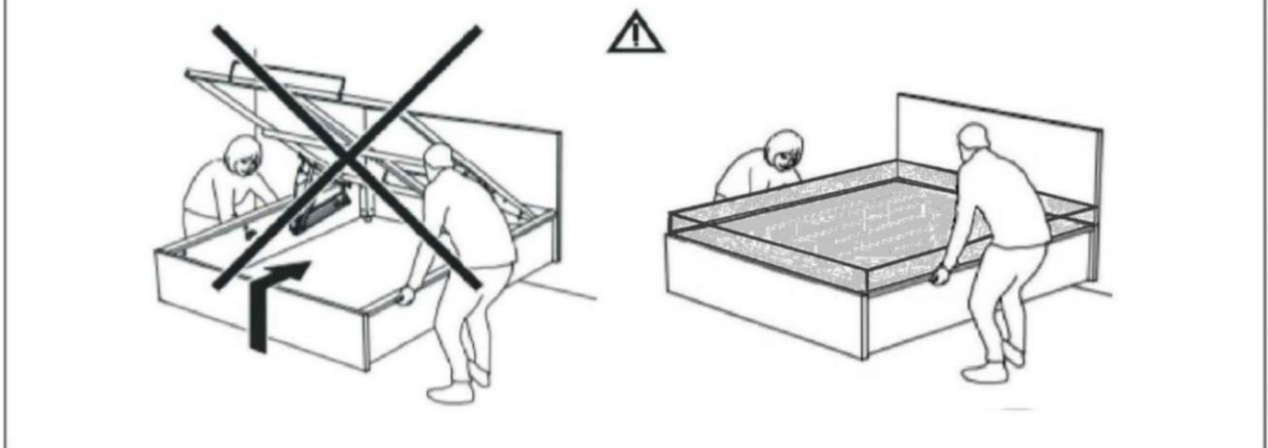
1. NEVER operate without a mattress on top. Failure to do so will damage the bed.
2. Close by pushing down firmly, with both hands towards the centre, with equal pressure.
3. NEVER push down on only one side or edge, or you will damage your bed.
4. NEVER sleep on the bed frame without a mattress.
5. Please remember to re-tighten all nuts & bolts within the bed frame after 2 weeks of use.

Hints and Tips

Failure to do so may result in injury.



Bed frame must be in CLOSED position when moving the bed.



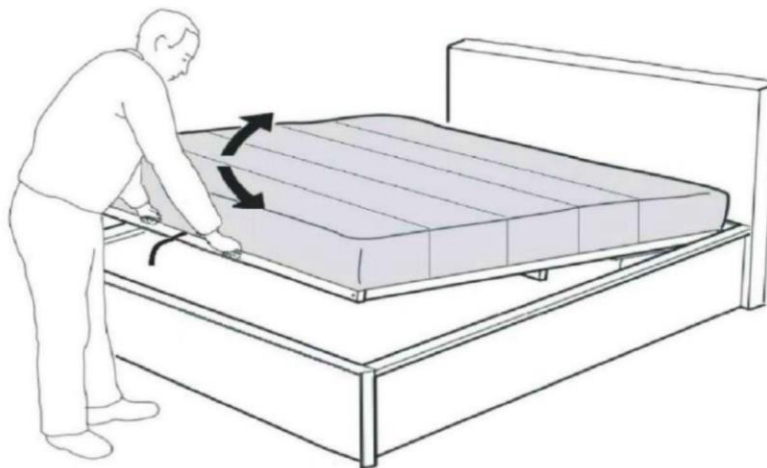
Hints and Tips

Failure to do so may result in injury.

To operate the ottoman, always use two hands at arm's length to push down on the bed frame end, in between the 2 rows of slats (as shown below) to close the bed frame.

To open, lift up using the nylon strap on the bed end. You must always ensure the mattress is on the bed frame before lifting to open and close the bed frame.

The weight of the mattress loaded on the frame helps to close the bed frame easier and with less effort, also keep the frame in closed position until it is pulled upwards by user.



 Always ensure Mattress is on the bed frame

