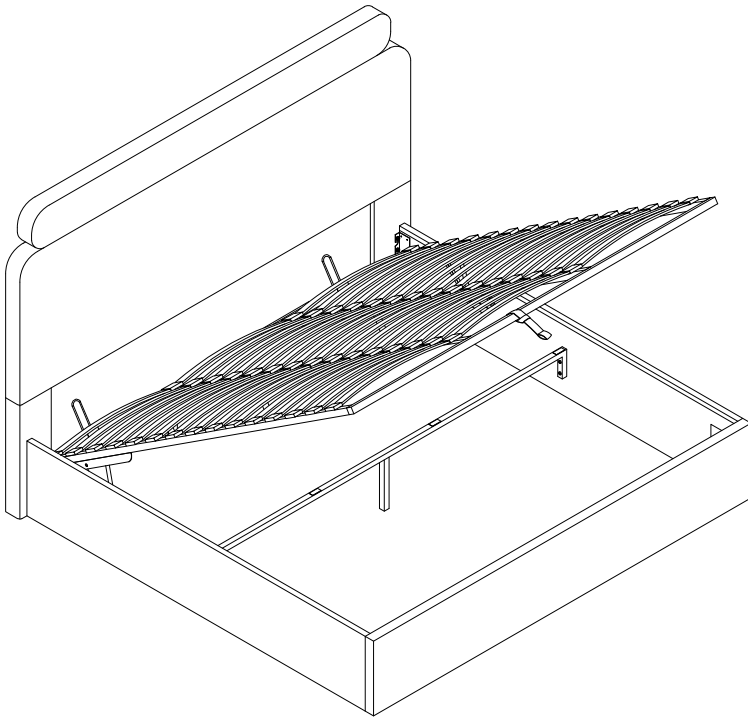


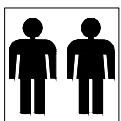
# ASSEMBLY INSTRUCTION



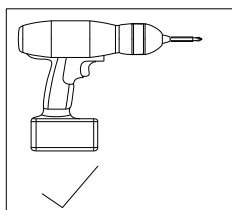
Please **TEAR OFF** this shrink film from side!  
**DO NOT USE CUTTER!**

## IMPORTANT NOTE

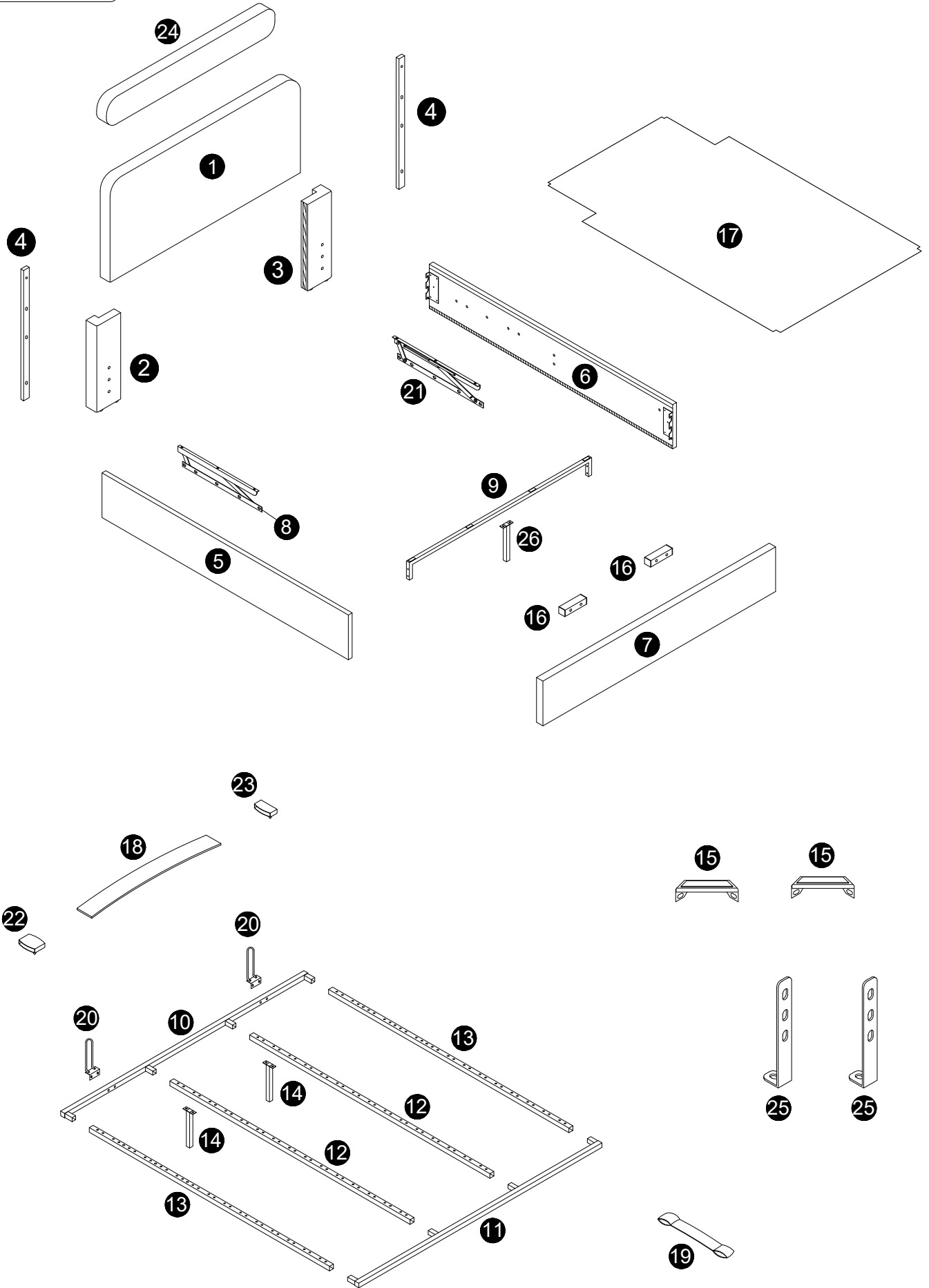
- 1. The product is shipped in two packages. Please check the number of packages received before assembly. If you are missing one package, receive a duplicate package, or have any assembly or after-sales issues, please contact us.**
2. For the protection of your furniture, place all parts on a clean and smooth surface to prevent any damage.
3. Keep fittings out of children's reach and keep children well away from construction area.
4. When moving your assembled bed, it is best to lift the bed and never to drag it.
5. Do not use this product if parts are missing, damaged or worn.
6. This product should only be used on firm, level ground.
7. Please periodically check all fittings and re-tighten as necessary.
8. Do not use the bed unless all bolts and screws are firmly secured.
9. For further assistance, please provide a screenshot of your order and contact us via email



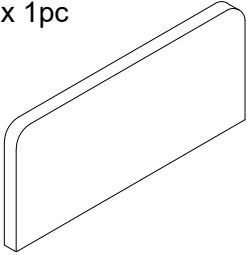
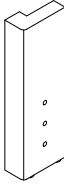

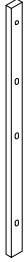
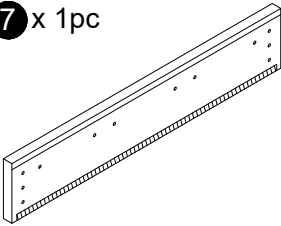
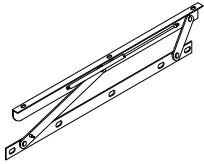
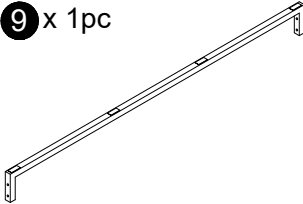
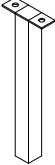

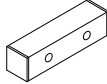
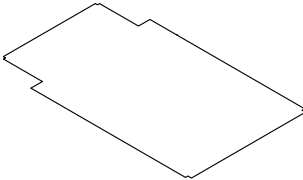
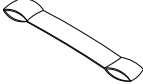
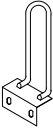
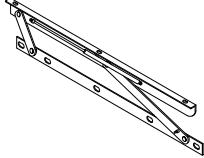

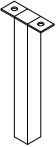
Minimum two  
person assembly



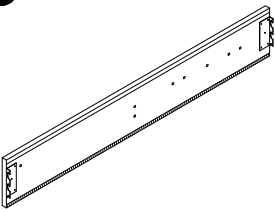
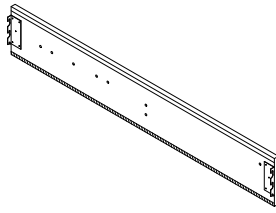
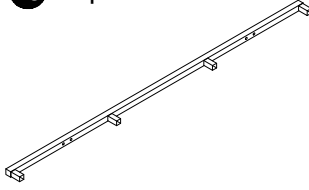
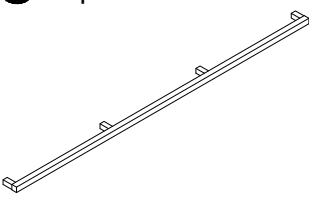
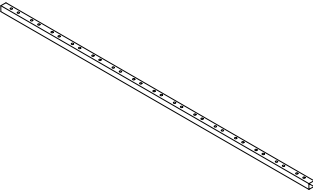
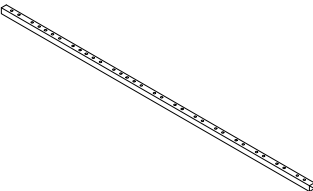
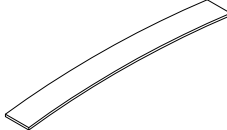
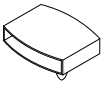
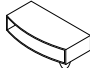
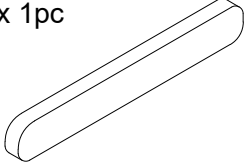
PART LIST



### Components of Carton A

<p><b>1</b> x 1pc</p> 	<p><b>2</b> x 1pc</p> 	<p><b>3</b> x 1pc</p> 	<p><b>4</b> x 2pcs (20x40x805mm)</p> 
<p><b>7</b> x 1pc</p> 	<p><b>8</b> x 1pc</p> 	<p><b>9</b> x 1pc</p> 	<p><b>14</b> x 2pcs (25x190mm)</p> 
<p><b>15</b> x 2pcs</p> 	<p><b>16</b> x 2pcs</p> 	<p><b>17</b> x 1pc</p> 	<p><b>19</b> x 1pc</p> 
<p><b>20</b> x 2pcs</p> 	<p><b>21</b> x 1pc</p> 	<p><b>25</b> x 2pcs</p> 	<p><b>26</b> x 1pc (25x165mm)</p> 

### Components of Carton B

<p><b>5</b> x 1pc</p> 	<p><b>6</b> x 1pc</p> 	<p><b>10</b> x 1pc</p> 	<p><b>11</b> x 1pc</p> 
<p><b>12</b> x 2pcs</p> 	<p><b>13</b> x 2pcs</p> 	<p><b>18</b> x 45pcs</p> 	<p><b>22</b> x 30pcs</p> 
<p><b>23</b> x 30pcs</p> 	<p><b>24</b> x 1pc</p> 		

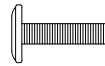
# HARDWARE LIST



H1 M5 x 1pc



H2 M8x25mm x 58pcs



H3 M8x40mm x 8pcs



H4 M8x50mm x 14pcs



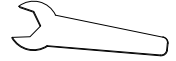
H5 M8 x 14pcs



H6 M8x22mm x 14pcs

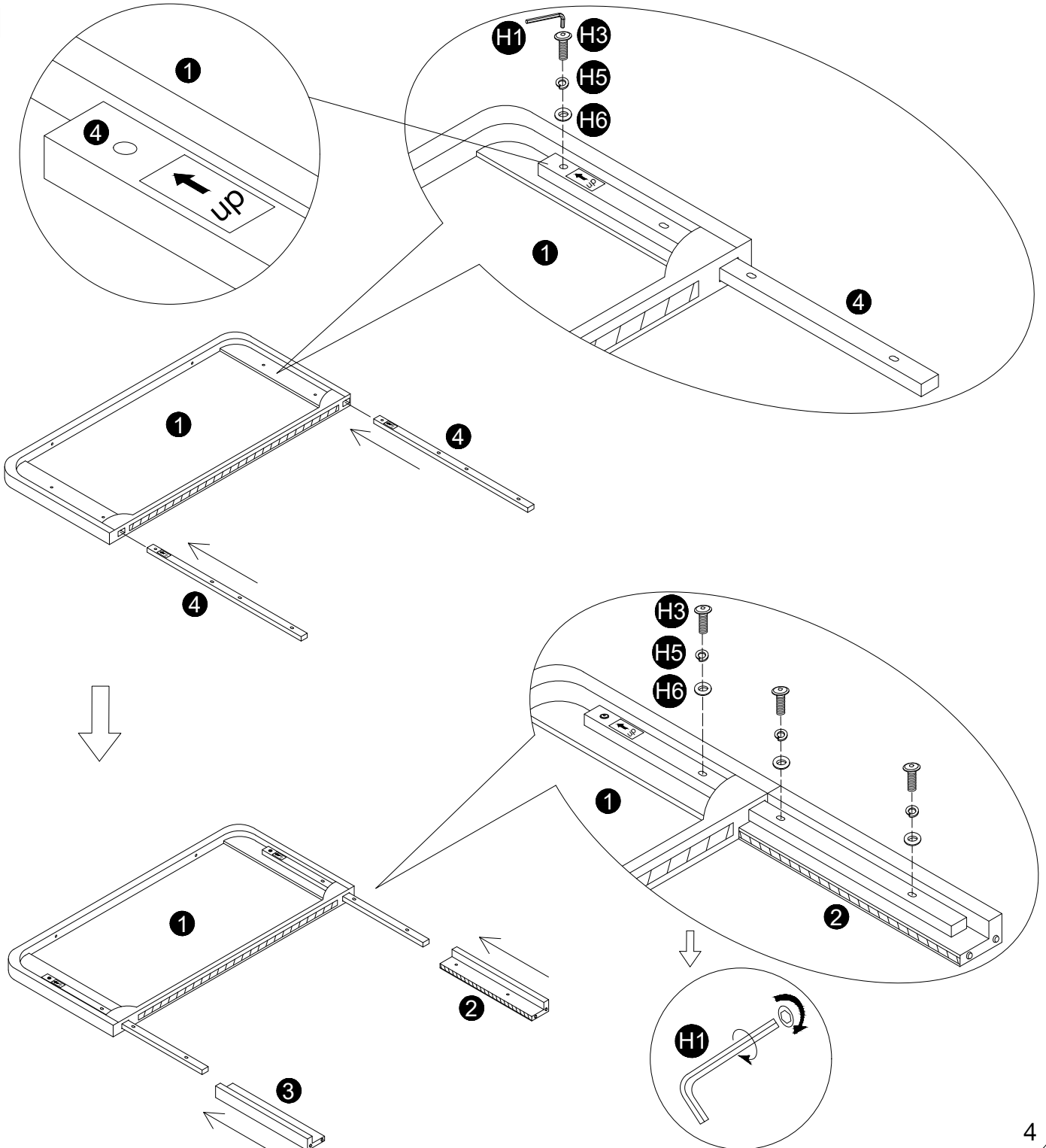


H7 M8 x 6pcs



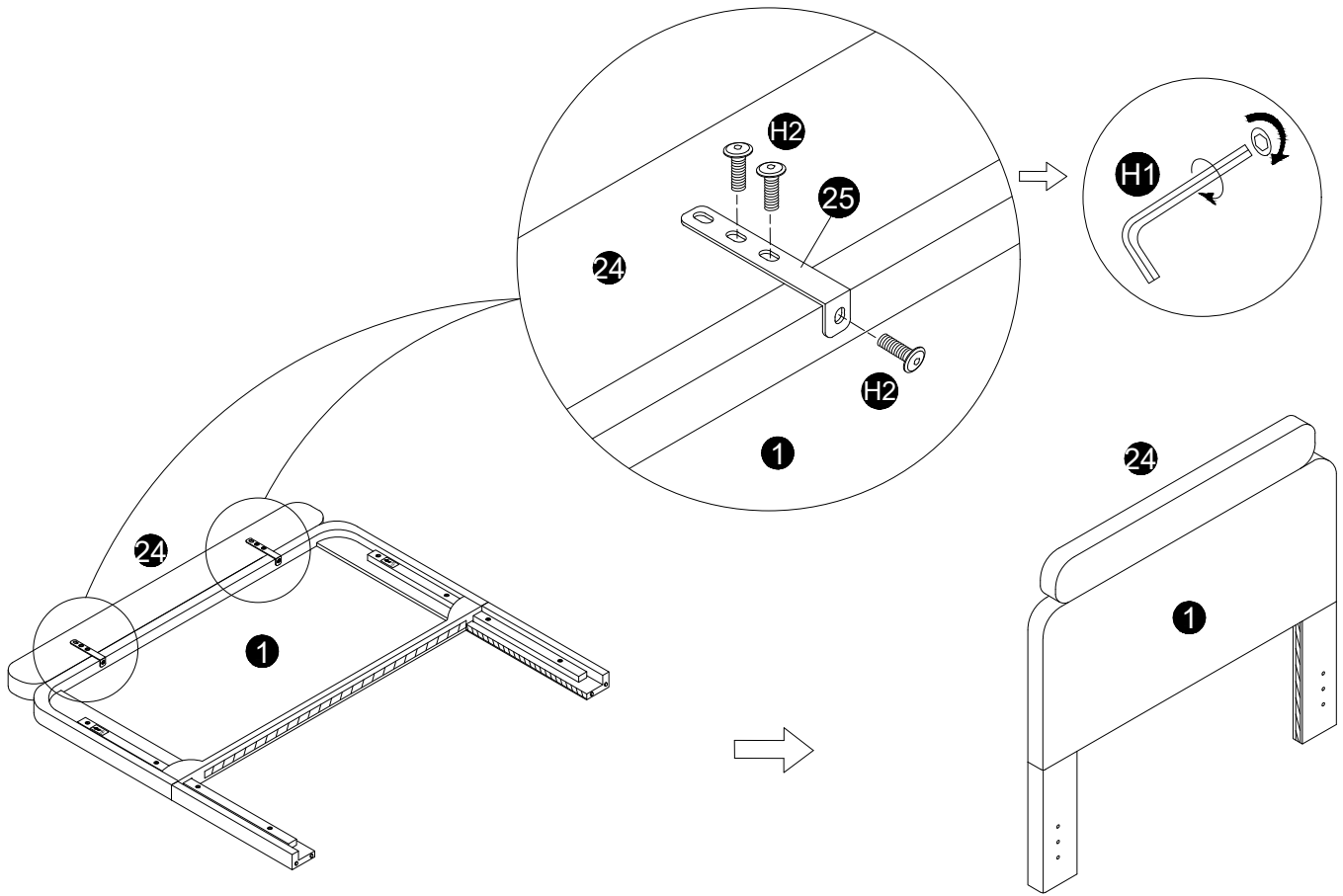
H8 M14 x 1pc

1

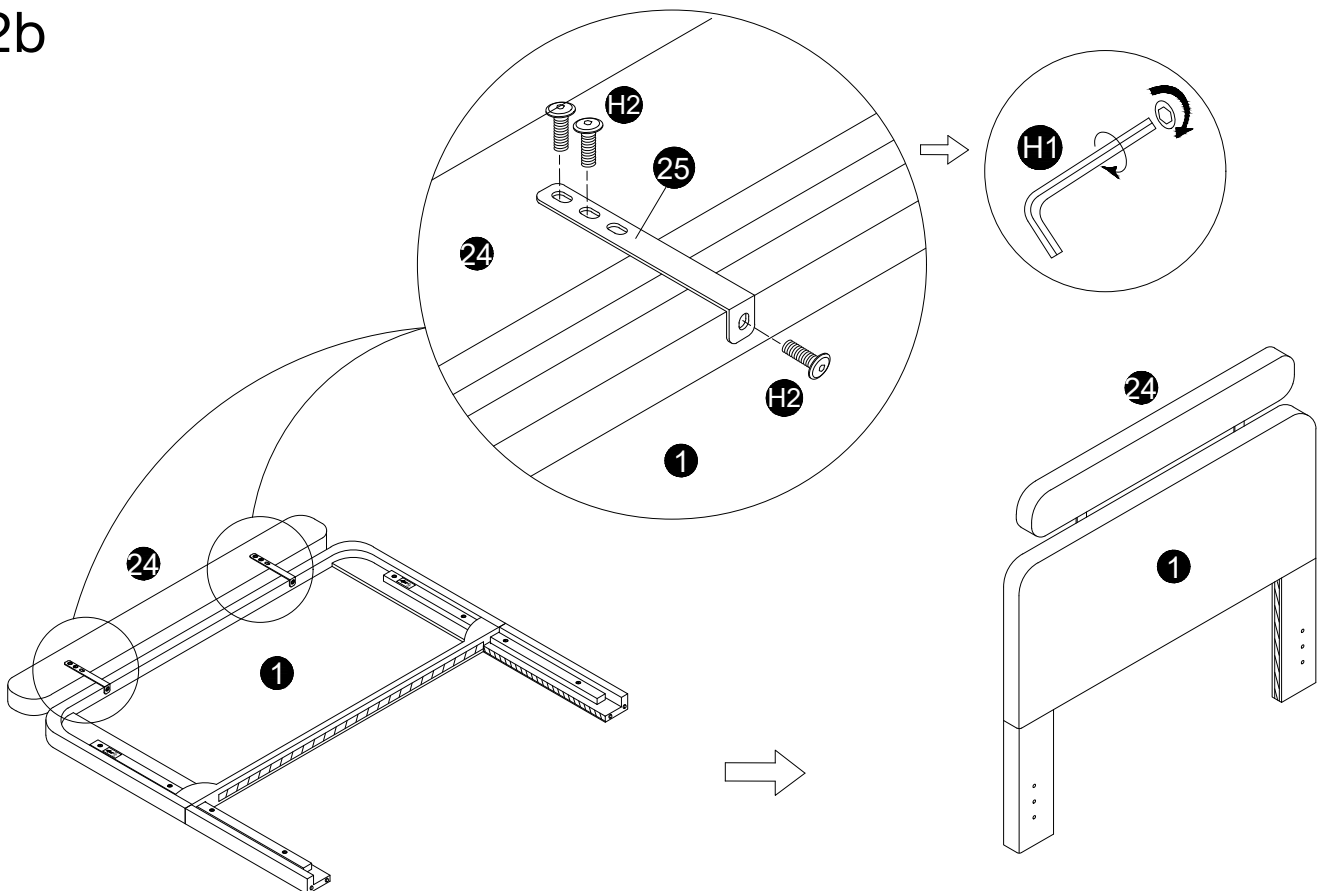


2a

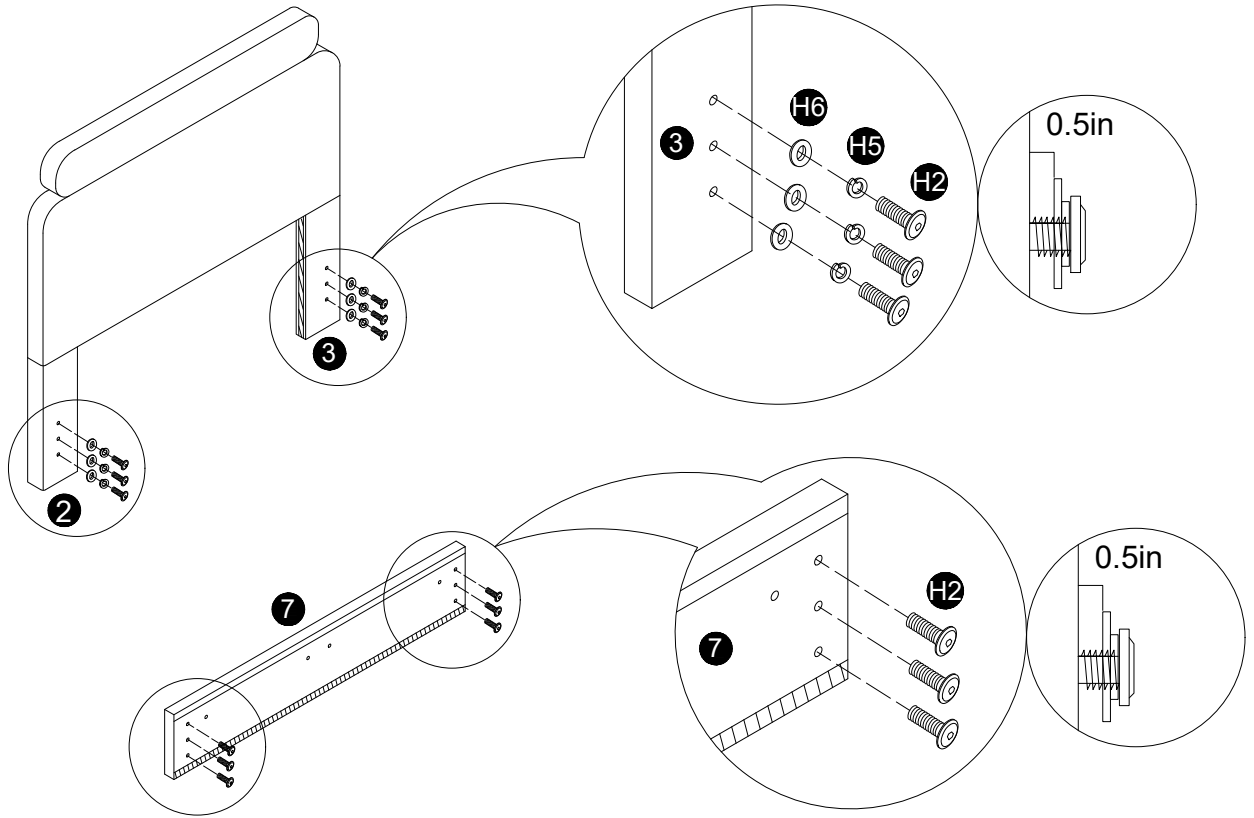
Please choose one installation between 2a and 2b; the headboard height will vary depending on your choice.



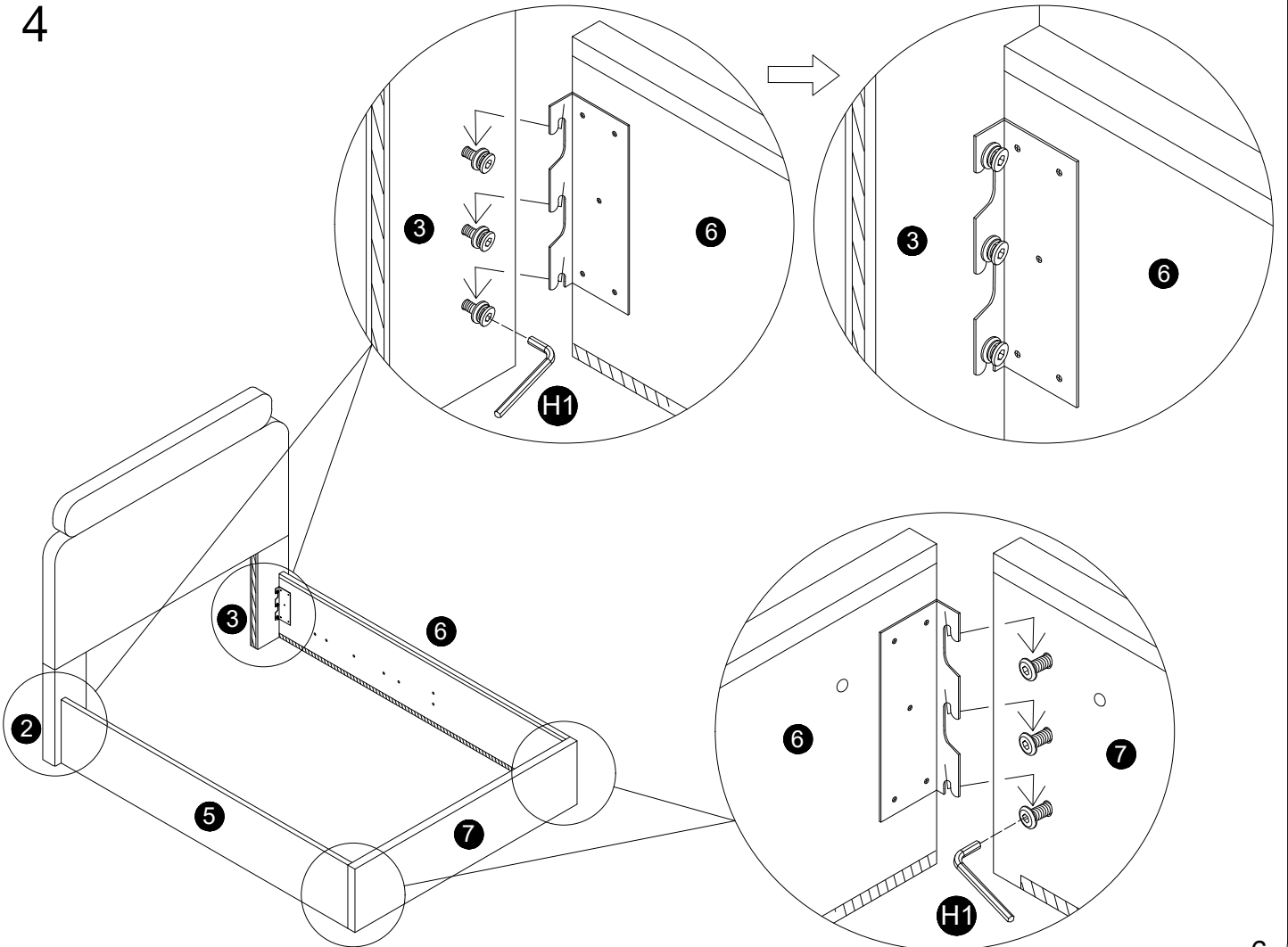
2b



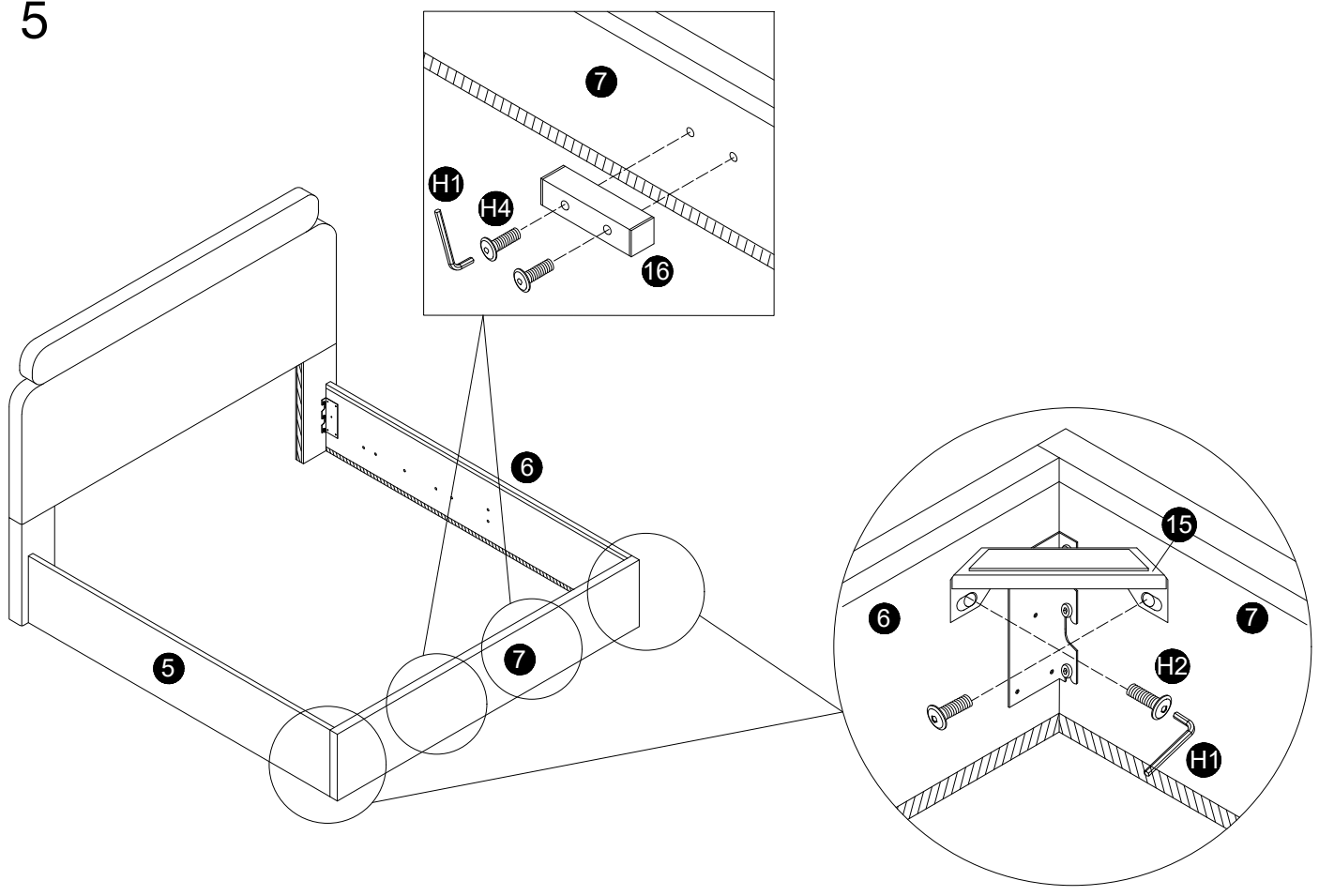
3



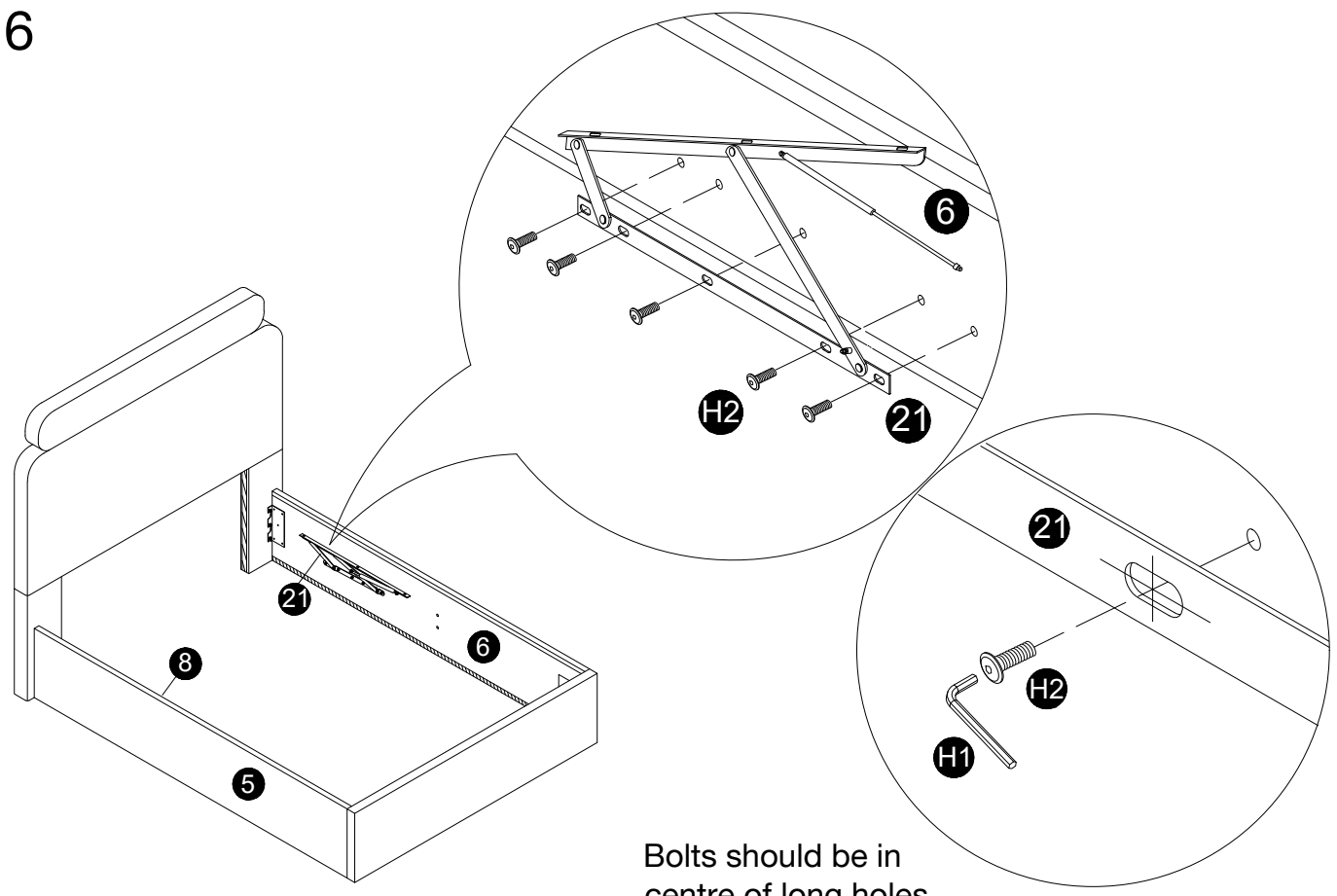
4



5

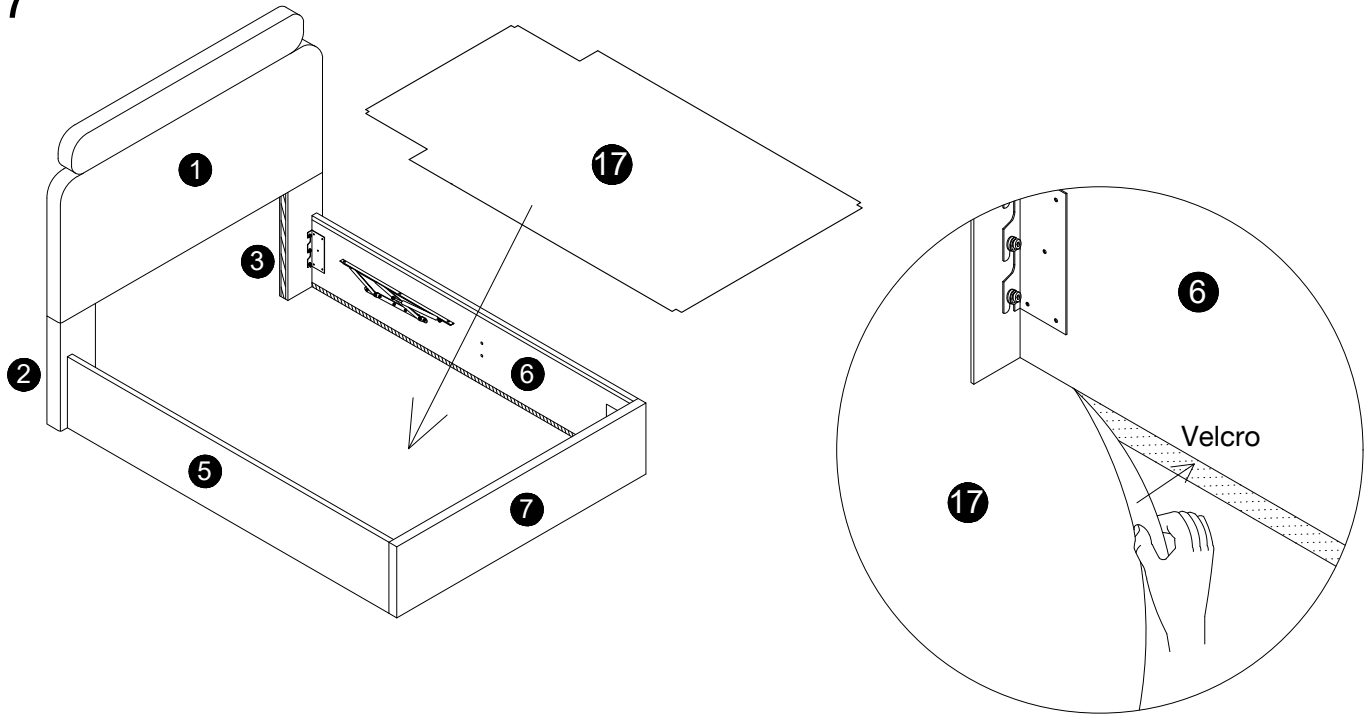


6

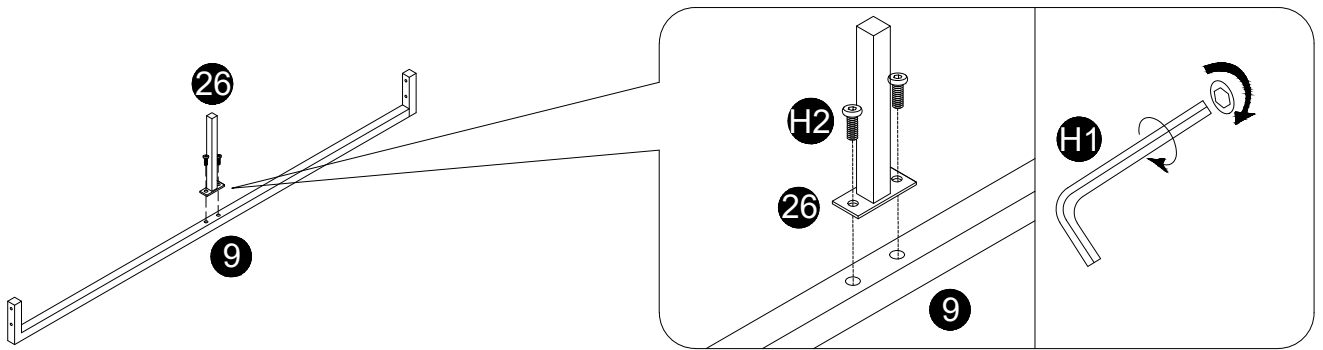


Bolts should be in centre of long holes

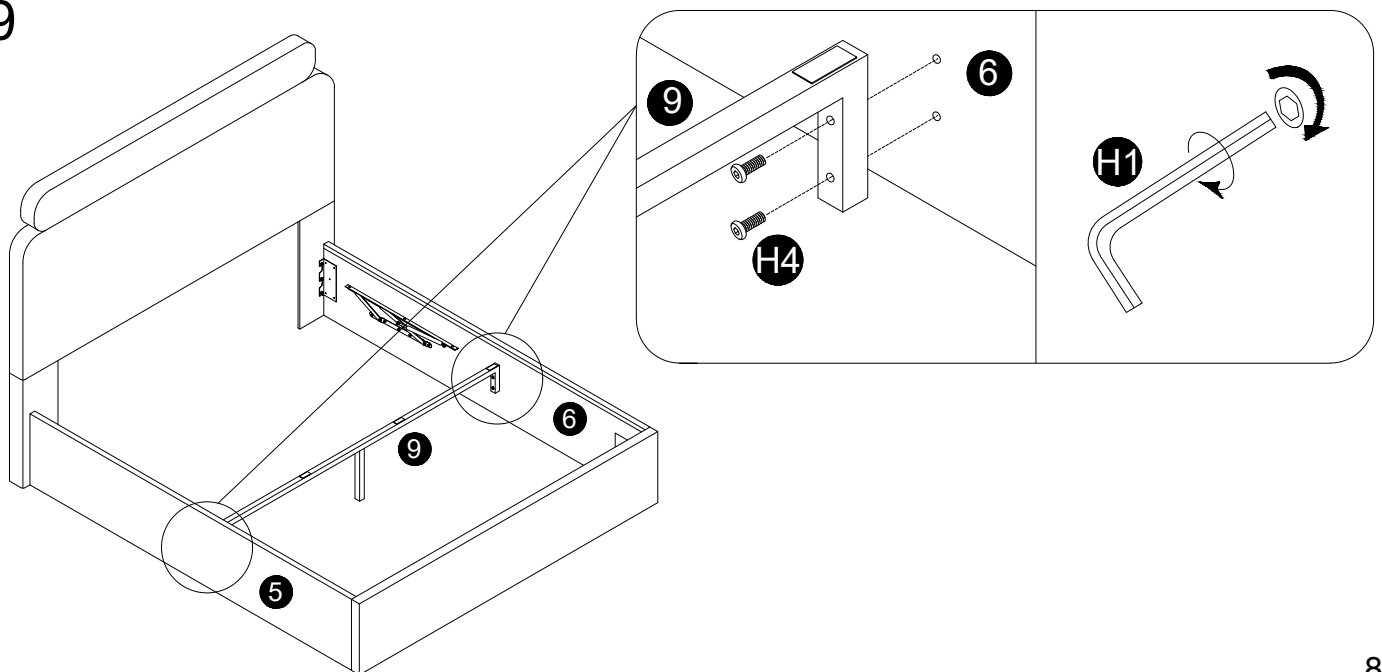
7



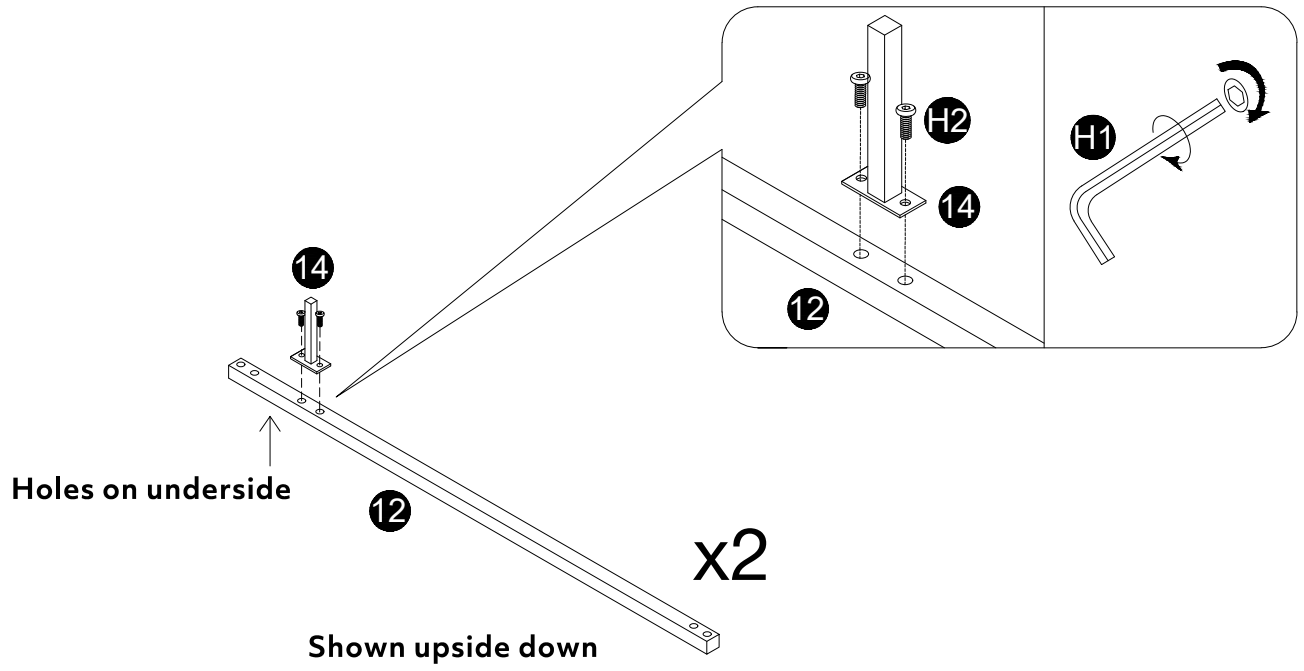
8



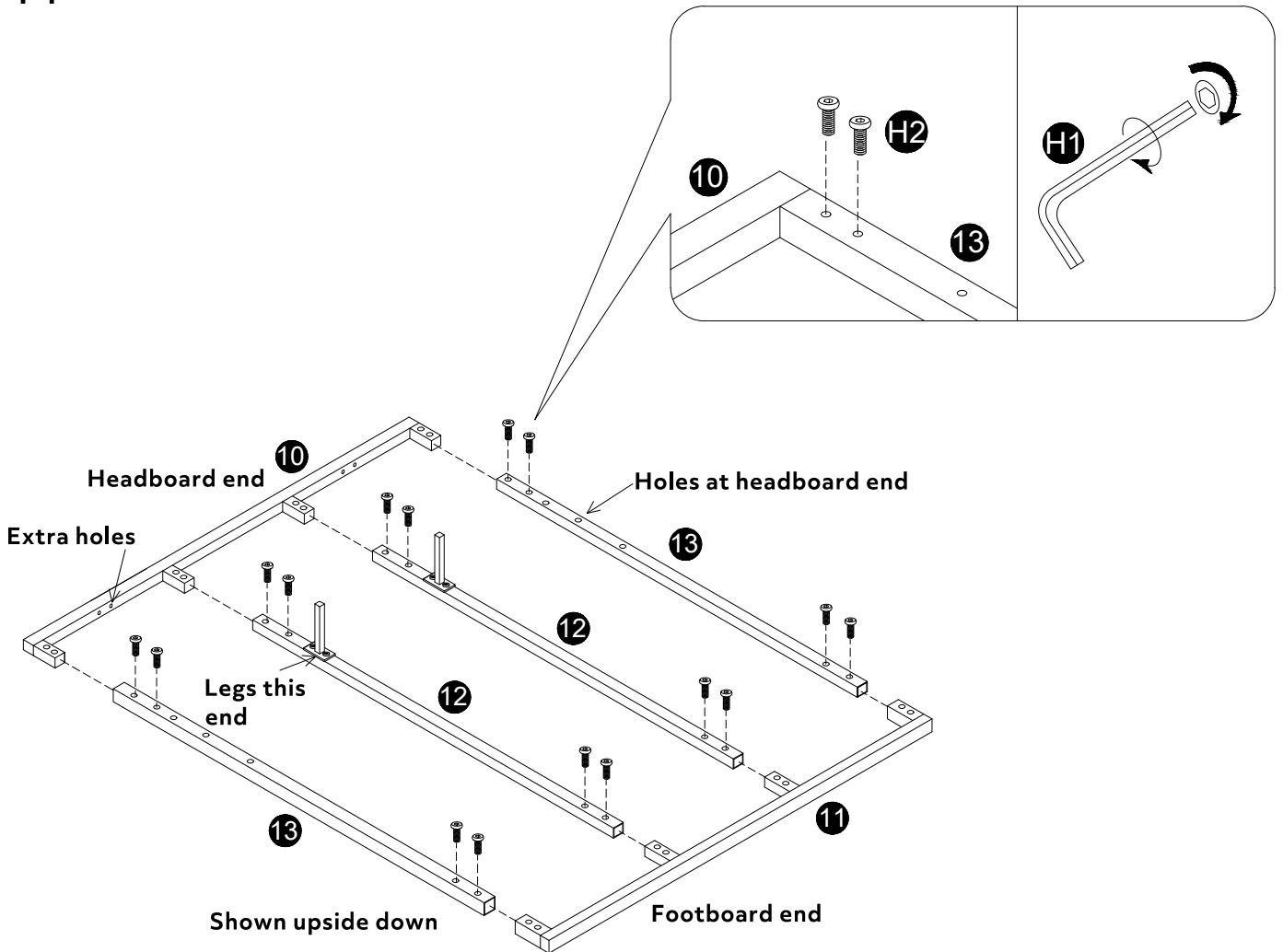
9



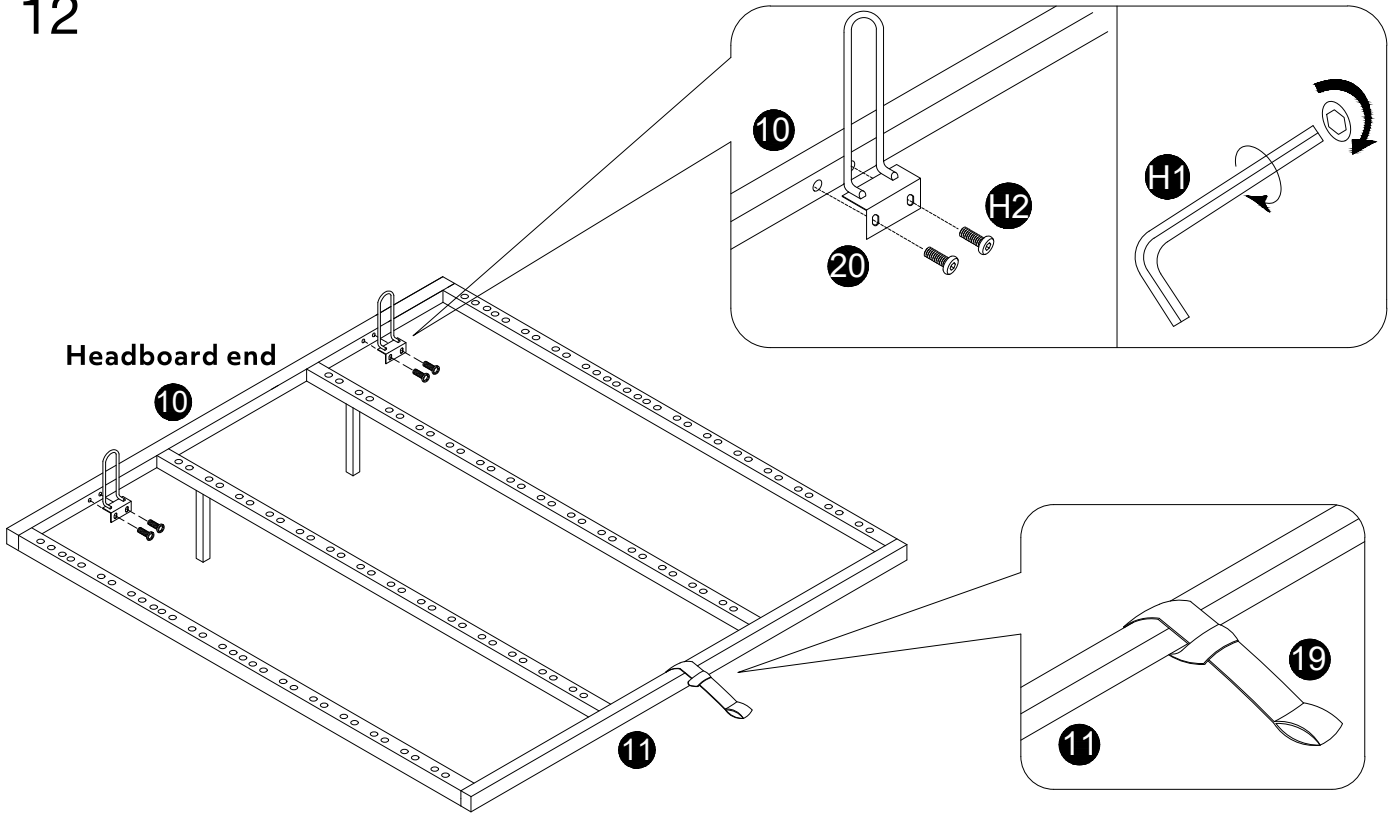
10



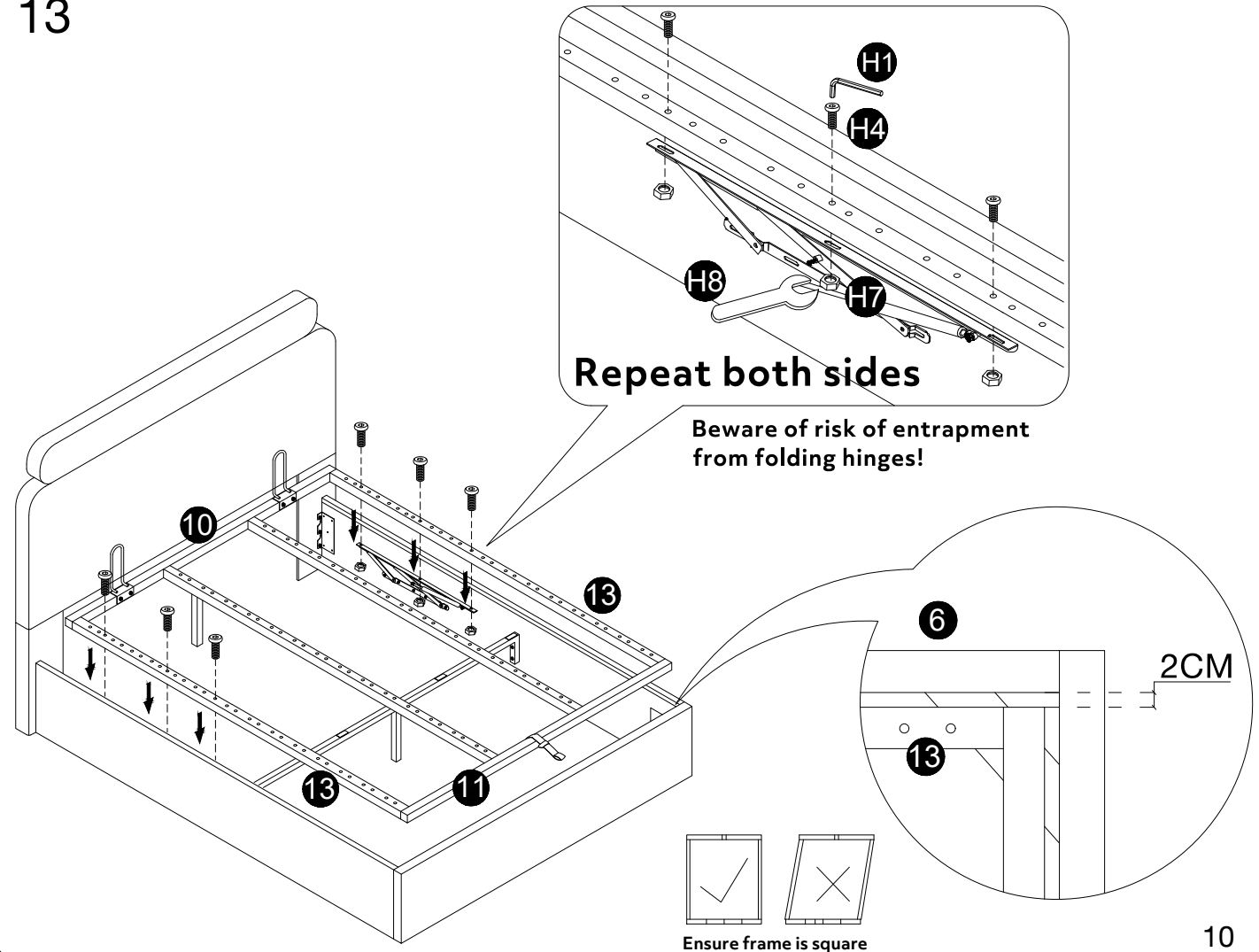
11



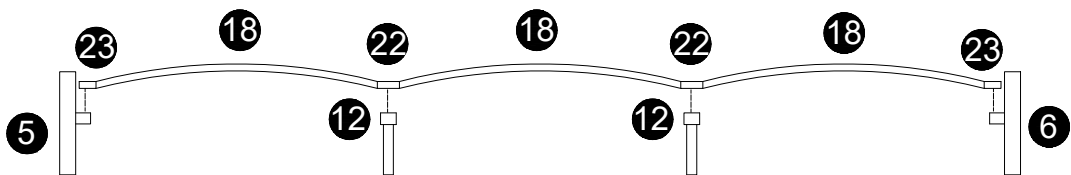
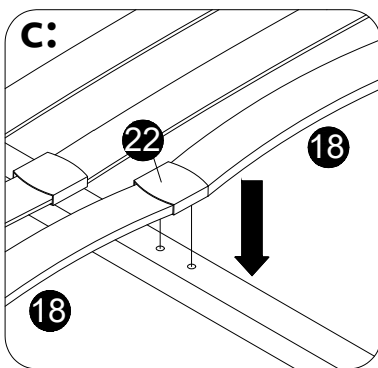
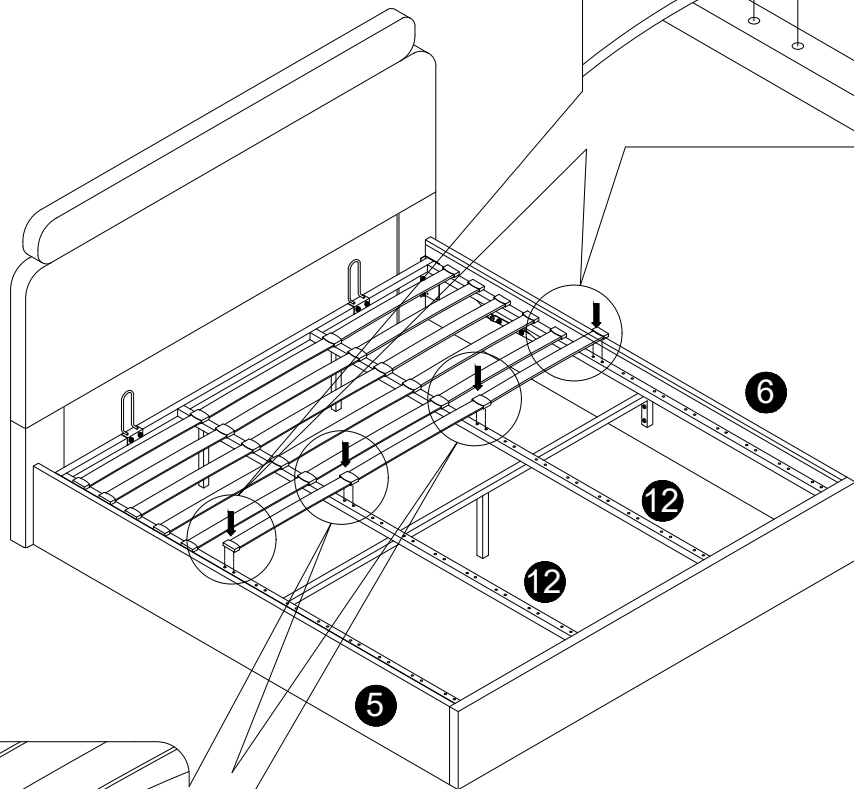
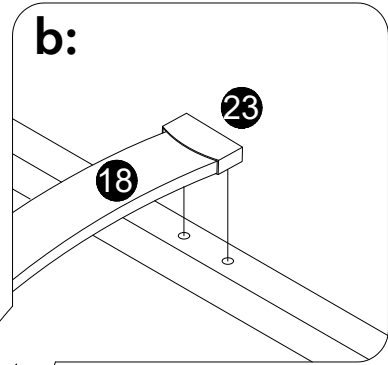
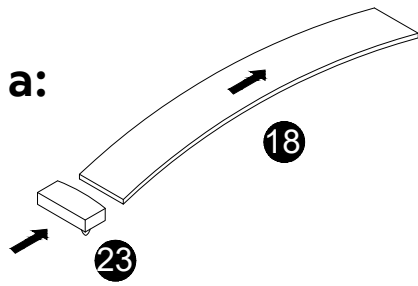
12



13



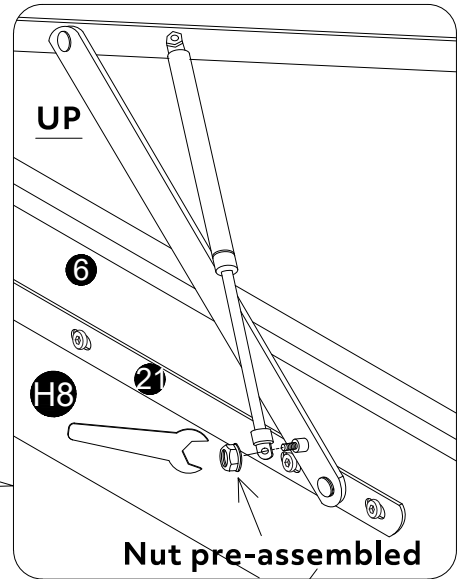
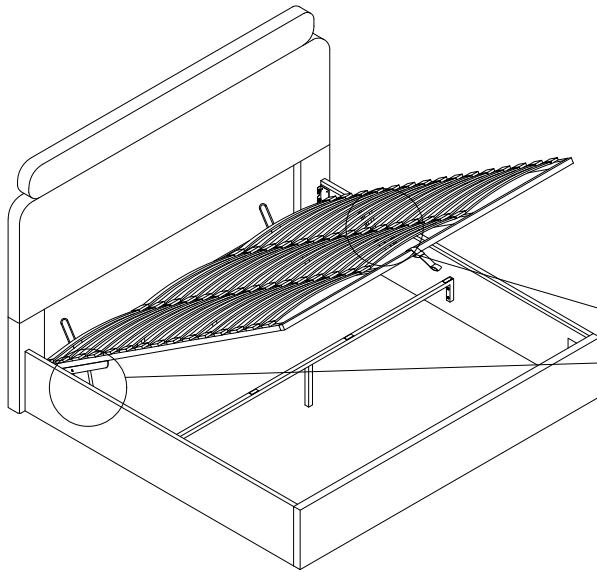
14



Slats to arch upwards

15

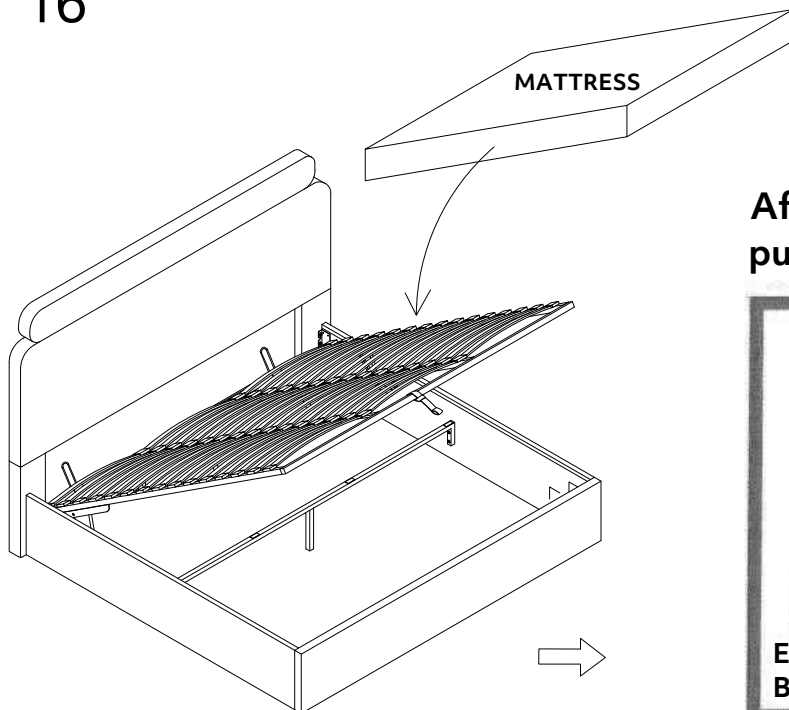
**Warning: Two people required.  
Frame to be fully supported at all times!**



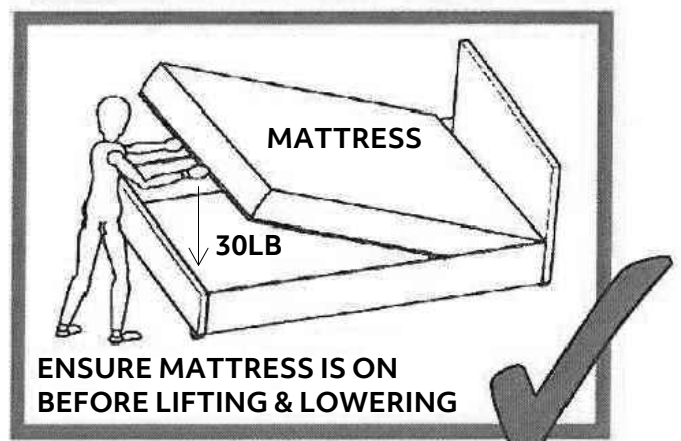
**Repeat both sides**

**Important:** Before proceeding, check and ensure all screws and fixings are fully tightened.

16



**After placing the mattress on frame,  
push down the frame with 30lbs force.**



Place the mattress on frame & Carefully lower the frame down.  
Keep objects/body part & children away from moving parts.

**Job Complete !**

*In the interest of our environment please dispose of all packaging thoughtfully.*