

# **WARNING!!**

## **Furniture Tipping Risk.**

**Serious risk of severe or fatal crush injuries can occur from furniture tipping over if not secured.**

**Children like to climb on furniture and Unsecured furniture can pose a serious danger.**

**Please follow all instructions and install the tip-over restraints provided.**

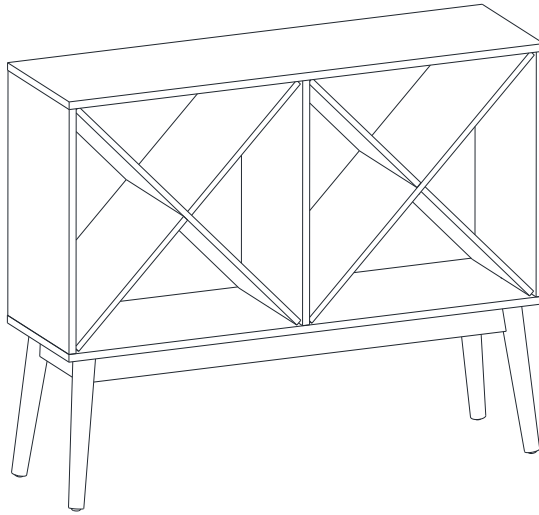
**In addition to installing the restraints, to help prevent tip-over:**

- 1. Unless specifically designed to accommodate, do not set TV's or other heavy objects on top of this product.**
- 2. Never allow children to climb or hang on top glass.**
- 3. Do not step on the Table base.**




# Assembly Instructions


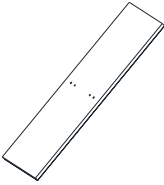
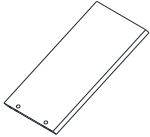
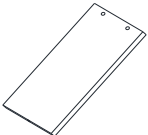
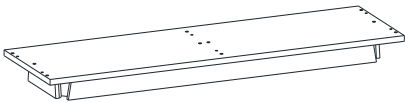

**Caution : You must read this before you proceed**

## WINE CABINET

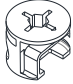










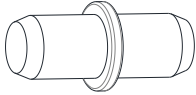


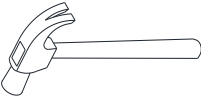



### Parts List






Label	Picture	Description	QTY
A		Top Panel	1
B		Left Side Panel	1
C		Right Side Panel	1

D		Center Panel	1
E		Long Cross Panel	2
F		Top Cross Panel	2
G		Bottom Cross Panel	2
H		Bottom Panel (with pre-fixed Apron)	1
I		Leg (with pre-fixed PVC Foot)	4

# Hardware

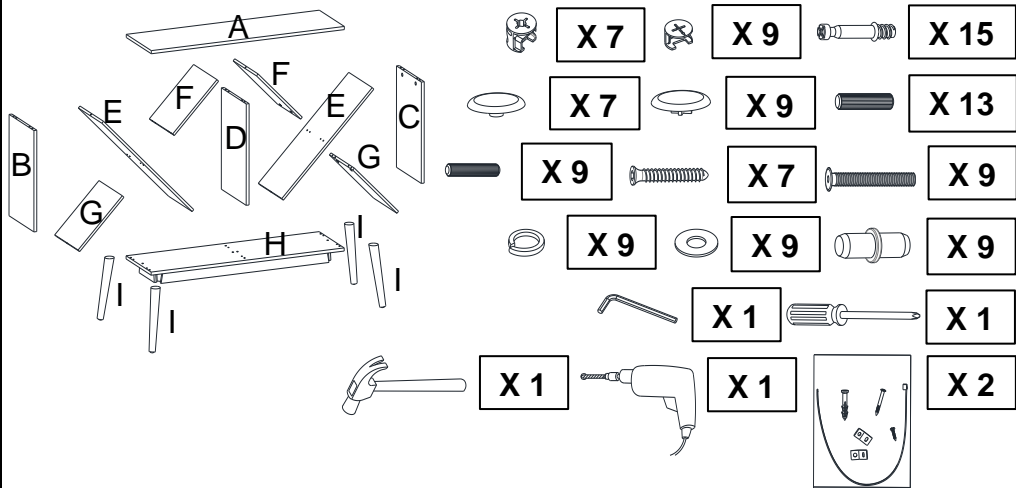
Label	Picture	Description	QTY
①		Cam Lock (φ 15*12mm)	7
②		Cam Lock (φ 15*9.5mm)	9
③		Cam Bolt	15
④		Cam Cap (Circular)	7
⑤		Cam Cap (Cross)	9
⑥		Positioning Dowel (φ 8*30mm)	13
⑦		Positioning Dowel (φ 6*30mm)	9
⑧		Cap Wood Screw (M6*50mm)	7
⑨		Bolt (M6*70mm)	9
⑩		Spring Washer	9
⑪		Washer	9
⑫		Metal Shelf Support	9
⑬		Allen Key	1
⑭		Screwdriver (not provided)	1
⑮		Hammer (not provided)	1
⑯		Power Drill (not provided)	1

## Cabinet Restraint Device Hardware

⑰		Metal Bracket	4
⑱		Wall Plug	2
⑲		Wall Plug Screw	2
⑳		Pan Head Screw	2
㉑		Cabinet Restraint Strap	2

## Assembly Preparation

Before Beginning Assembly:



- Read instructions, cover to cover-



- Have 2 adults on hand for assembly-



- Do not assemble on flooring or carpet-



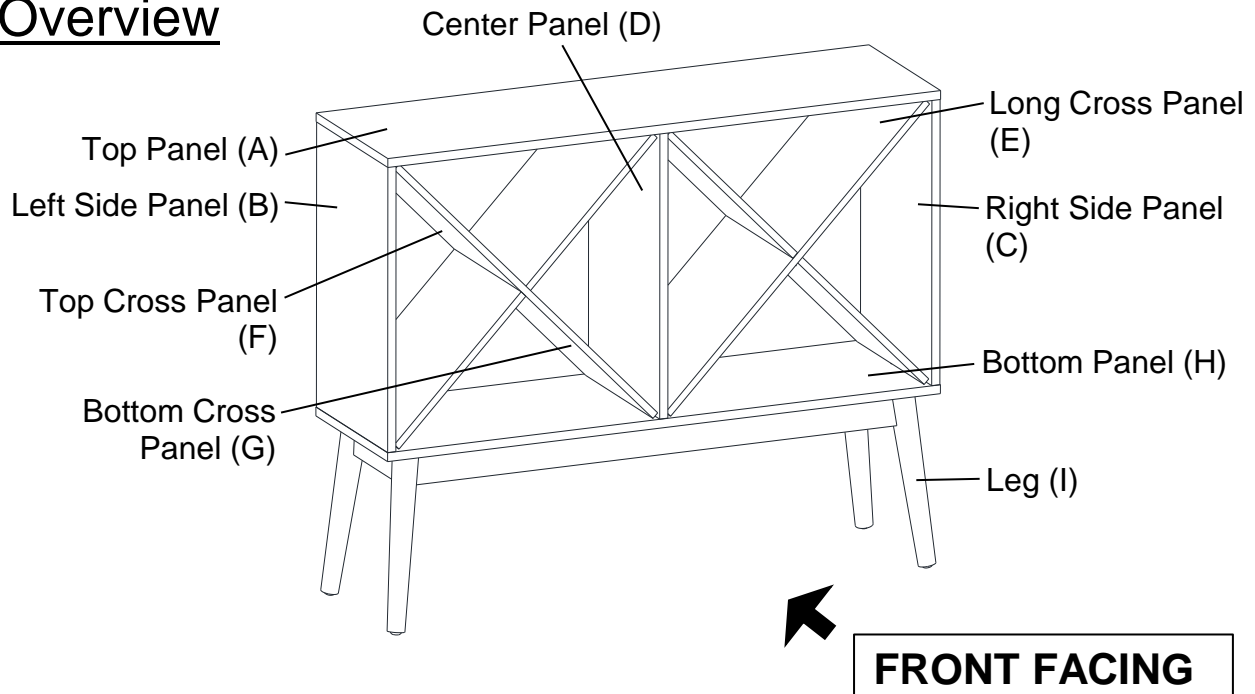
- Assemble on a clean non-marring surface (packing foam)-



- Save all packaging until finished-

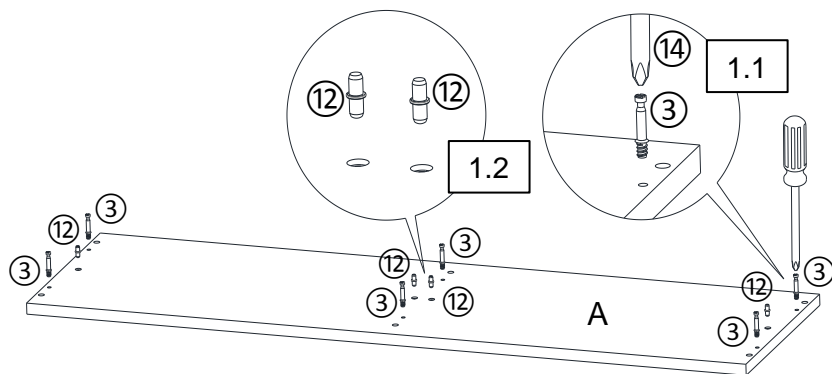
# Assembly Steps

## Overview



This Wine Cabinet has multiple parts and may require up to 60 minutes to assemble. To give you an overview of the Wine Cabinet parts, the above picture is to help you put the various parts into perspective. Please read through the instructions below to familiarise yourself with the parts and steps before assembly.

## Step 1

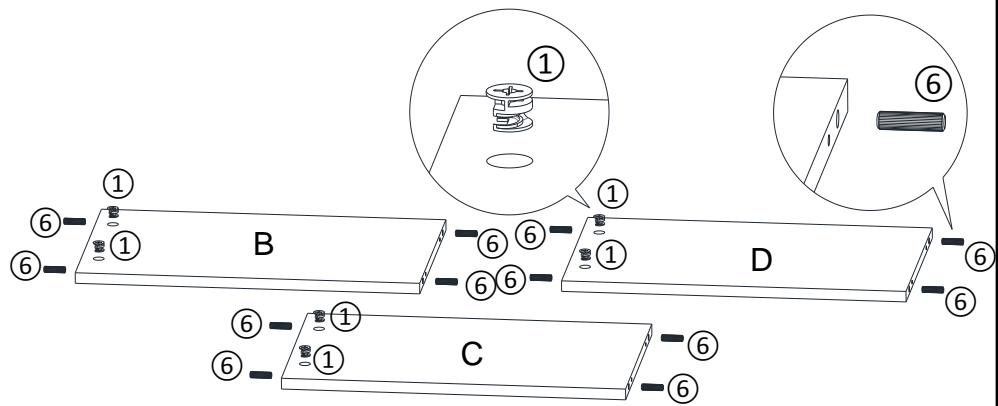


Unpack and place all parts on a clean, non-marring surface.

**1.1)** Attach Cam Bolts(③) to mounting positions on Top Panel(A) with Screwdriver(⑭).

**1.2)** Insert Metal Shelf Supports(⑫) to mounting positions on Top Panel(A) by hand.

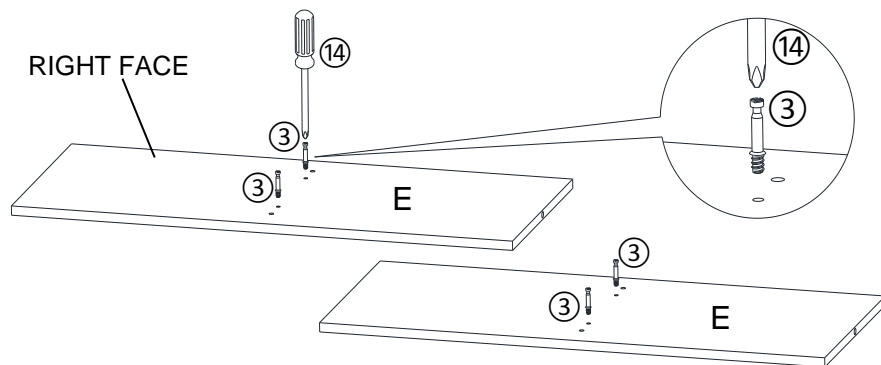
## Step 2



**2.1)** Insert Cam Locks(①) into mounting positions on Left Side Panel(B), Right Side Panel(C) and Center Panel(D) by hand.

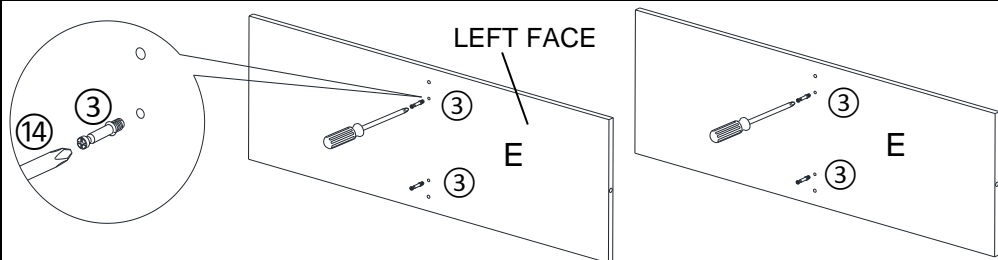
**2.2)** Insert Positioning Dowels(⑥) into mounting positions on Left Side Panel(B), Right Side Panel(C) and Center Panel(D) by hand.

## Step 3



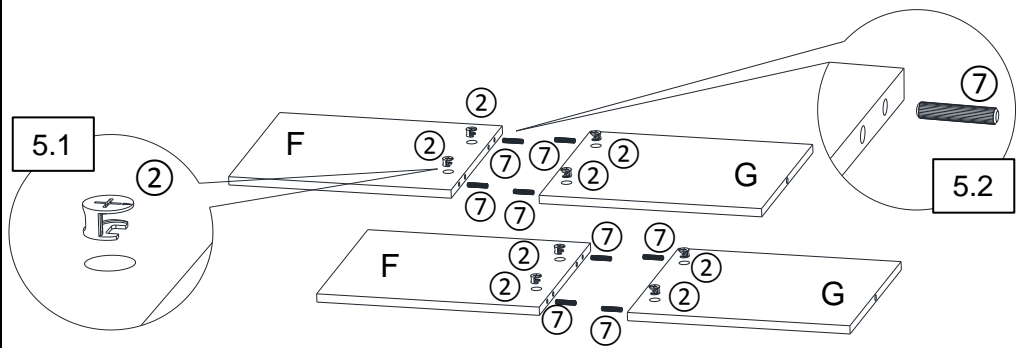
Attach Cam Bolts(③) to mounting positions on Long Cross Panels(E) with Screwdriver(⑭).

## Step 4



Attach Cam Bolts(③) to mounting positions on Long Cross Panels(E) with Screwdriver(⑭).

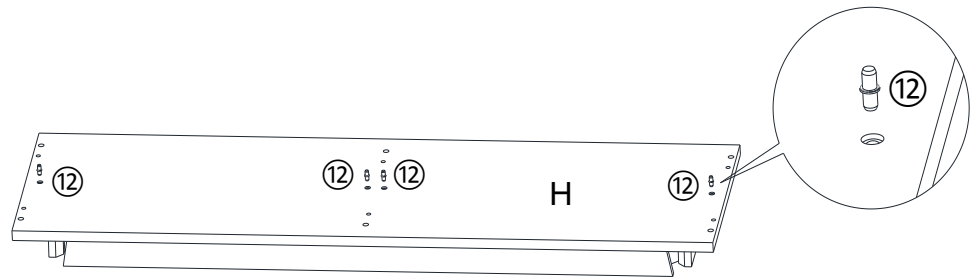
## Step 5



**5.1)** Insert Cam Locks(②) into mounting positions on Top Cross Panels(F) and Bottom Cross Panels(G) by hand.

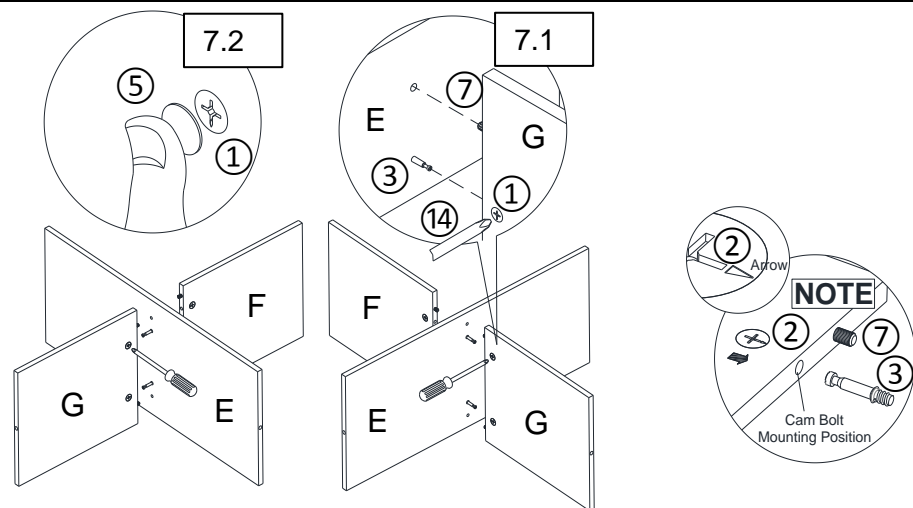
**5.2)** Insert Positioning Dowels(⑦) into mounting positions on Top Cross Panels(F) and Bottom Cross Panels(G) by hand.

## Step 6



Insert Metal Shelf Supports(⑫) into mounting positions on Bottom Panel(H) by hand.

## Step 7



**7.1)** Insert Positioning Dowels(⑦) from Top Cross Panels(F) and Bottom Cross Panels(G) into mounting positions on Long Cross Panels(E).

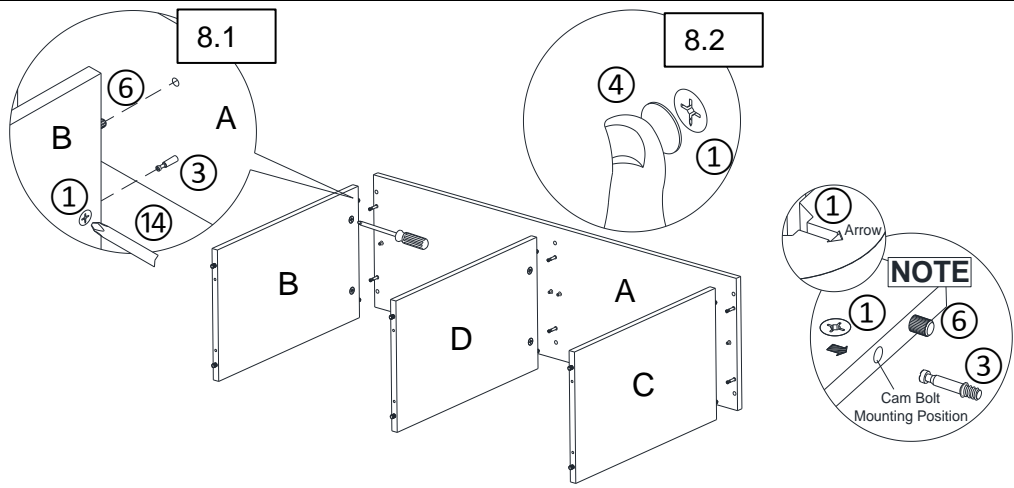
**Note: Ensure the arrow on Cam Lock head points towards the Cam Bolt mounting position.**

Insert Cam Bolts(③) on Long Cross Panels(E) into the mounting positions on Top Cross Panels(F) and Bottom Cross Panels(G).

Turn the Cam Locks(②) clockwise with the Screwdriver(⑭) until they all lock into place.

**7.2)** Cover Cam Lock(①) with Cam Cap(⑤) by hand.

## Step 8



**8.1)** Insert Positioning Dowels(⑥) from Left Side Panel(B), Right Side Panel(C) and Center Panel(D) into mounting positions on Top Panel(A).

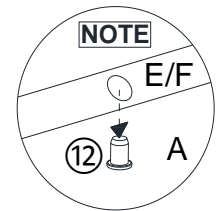
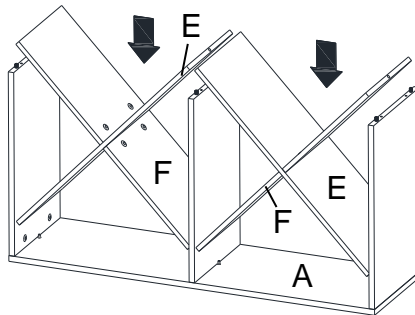
**Note: Ensure the arrow on Cam Locks head points towards the Cam Bolt mounting position.**

Insert Cam Bolts(③) on Top Panel(A) into the mounting positions on Left Side Panel(B), Right Side Panel(C) and Center Panel(D).

Turn the Cam Locks(①) clockwise with the Screwdriver(⑭) until they all lock into place.

**8.2)** Cover Cam Lock(①) with Cam Cap(④) by hand.

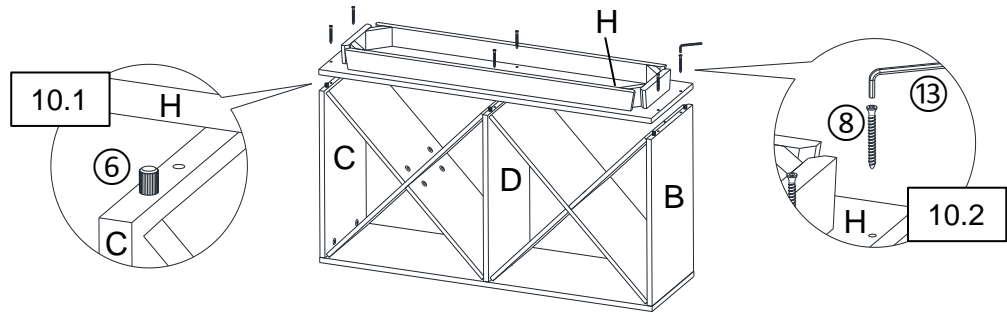
## Step 9



Put two Cross Panel Assemblies in place.

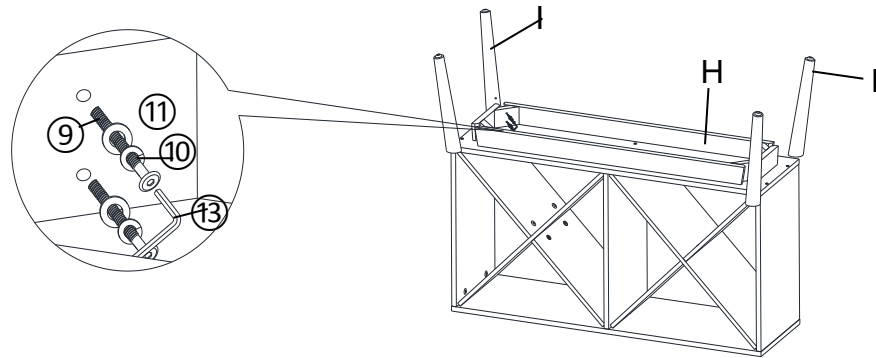
**Note: There are lead mounting positions on Long Cross Panels and Top Cross Panel to fit onto Metal Shelf Supports(⑫) on Top Panel(A).**

## Step 10



**10.1)** Insert Positioning Dowels(⑥) from Left Side Panel(B), Right Side Panel(C) and Center Panel(D) into mounting positions on Bottom Panel(H).  
**10.2)** Attach Bottom Panel(H) to Cabinet Assembly using Cap Wood Screws(⑧) with Allen Key(⑬).

## Step 11



Attach Legs(I) to apron on Bottom Panel(H) using Bolts(⑨), Spring Washers(⑩) and Washers(⑪) with Allen Key(⑬).

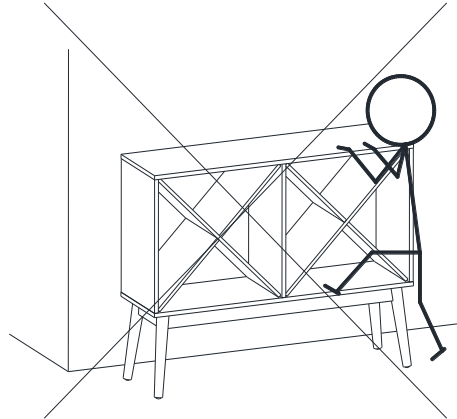
## Cabinet Restraint Device Installation Instructions



### WARNING

Serious or fatal crushing injuries can occur from tipping furniture.  
To help prevent tip-over: **ALWAYS** secure this furniture to the wall using Cabinet Restraint Device.

See product instructions for more ways to help prevent furniture tip-over.

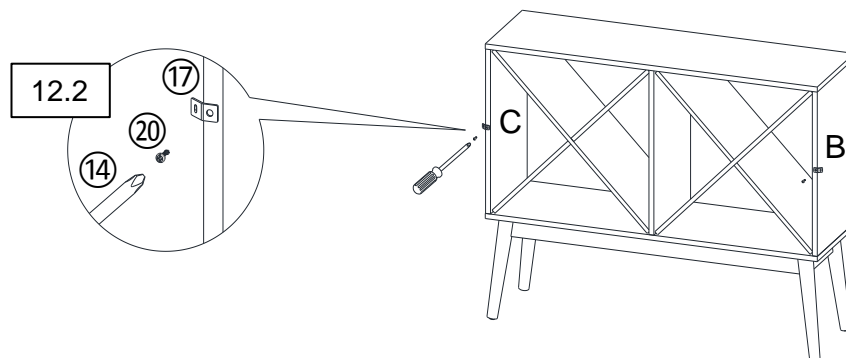


### Usage For Cabinet Restraint Device:

To Secure Wine Cabinet against wall, attach Metal Brackets(17) to wall and product, and use Cabinet Restraint Straps(21) to connect the Metal Brackets(17).

### Instructions:

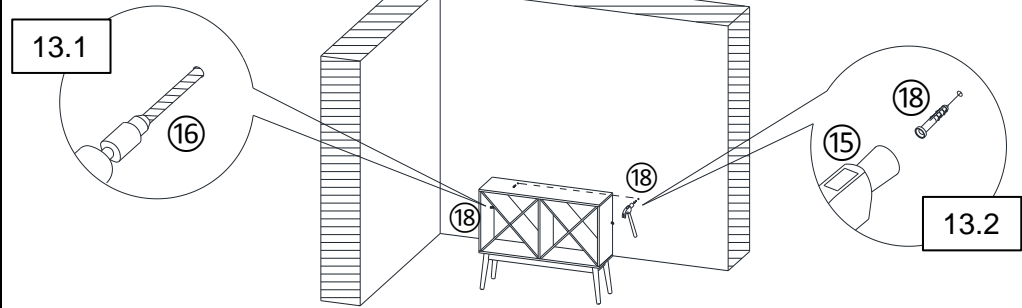
## Step 12



**12.1)** Turn the Wine Cabinet so the back side faces you.

**12.2)** Attach Metal Brackets(17) to Left Side Panel(B) and Right Side Panel(C) using Pan Head Screws(20) with Screwdriver(14).

## Step 13



**13.1)** Drill two holes on wall at same height as Metal Brackets(17) on Wine Cabinet with Power Drill(16).

**You can mark these points in two ways as below:**

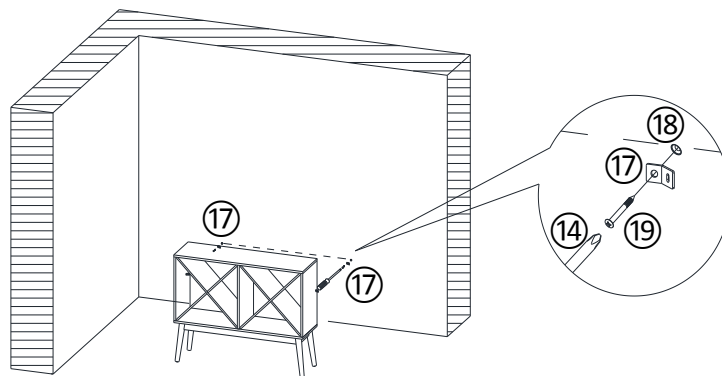
**1)** Move the Wine Cabinet back to the wall. Mark two points same height as Wine Cabinet on the wall.

**Note: The Metal Brackets need to be secured to solid, load bearing surface. Please use a Stud Finder(not supplied) if needed to locate the Wall Frame.**

**2)** Measure the height of the Metal Brackets(17) with ruler/measuring tape and mark on wall to keep them accurate and same height.

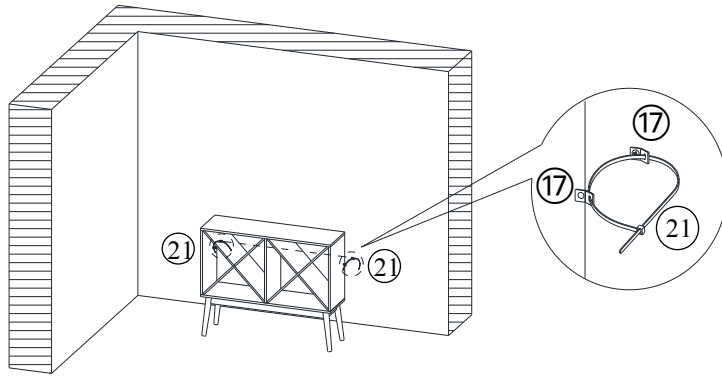
**13.2)** Insert Wall Plugs(18) into holes on wall with Hammer(15).

## Step 14



Attach Metal Brackets(17) to Wall Plugs(18) using Wall Plug Screws(19) with Screwdriver(14).

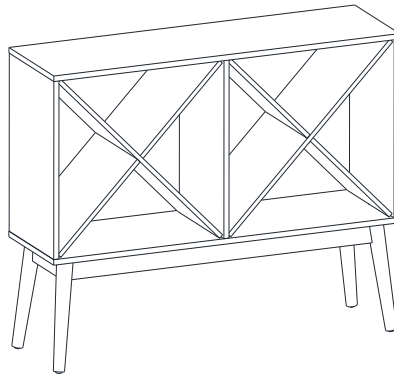
## Step 15



Move the Wine Cabinet back against wall.

Pull the Restraint Straps(21) through the Metal Brackets(17) on the wall and Wine Cabinet one by one, and pull the Restraint Straps(21) tight.



















## Step 16



Your Wine Cabinet is ready for use.

**This Wine Cabinet can only be used on a flat, level surface.**

## Care & Maintenance

-   ● Do not put hot items directly on furniture surface
  -   ● Do not clean furniture with harsh cleansers or polish.
  -   ● To obtain the longest lifespan of your outdoor products, minimizing exposure to direct sunlight is recommended.
  -   ● Children should not climb or jump on the furniture.
  -   ● Do not write on furniture without a padded barrier to protect the surface.
  -   ● To obtain the longest lifespan of your outdoor products, avoid extended and lengthy exposure to rain, snow, and direct sunshine. Whenever possible cover the product and /or place under patio or awnings.
  -   ● Not for commercial use. For residential use only .
  -   ● Stains may be removed with mild soap solution and damp cloth.
- 
-   ● Dust and pick-up spills using a clean, non-colored, lint-free cloth .

### Questions & Answers about Proposition 65

#### • What is Proposition 65?

Proposition 65 requires businesses to provide warnings to Californians about significant exposures to chemicals that cause cancer, birth defects or other reproductive harm. These chemicals can be in the products that Californians purchase, in their homes or workplaces, or that are released into the environment. By requiring that this information be provided, Proposition 65 enables Californians to make informed decisions about their exposures to these chemicals.

Proposition 65 also prohibits California businesses from knowingly discharging significant amounts of listed chemicals into sources of drinking water.

Proposition 65 requires California to publish a list of chemicals known to cause cancer, birth defects or other reproductive harm. This list, which must be updated at least once a year, has grown to include approximately 900 chemicals since it was first published in 1987.

#### • What types of chemicals are on the Proposition 65 list?

The list contains a wide range of naturally occurring and synthetic chemicals that include additives or ingredients in pesticides, common household products, food, drugs, dyes, or solvents. Listed chemicals may also be used in manufacturing and construction, or they may be byproducts of chemical processes, such as motor vehicle exhaust.

#### • What does a warning mean?

If a warning is placed on a product label or posted or distributed at a workplace, a business, or in rental housing, the business issuing the warning is aware or believes that it is exposing individuals to one or more listed chemicals.

By law, a warning must be given for listed chemicals unless the exposure is low enough to pose no significant risk of cancer or is significantly below levels observed to cause birth defects or other reproductive harm.

#### • Where can I get more information on Proposition 65?

If you have specific questions on the administration or implementation of Proposition 65, you can contact OEHHA's Proposition 65 program at [P65.Questions@oehha.ca.gov](mailto:P65.Questions@oehha.ca.gov), or by phone at (916) 445-6900.