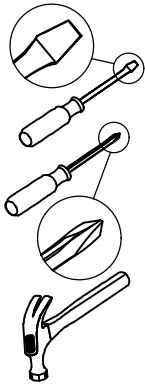


As this item contains many parts, please read the installation instruction carefully before installation and complete the installation with the cooperation of your partner. Please use tools properly and carefully. If you have any questions about the product and installation, please contact us.

Our professional after-sales team will serve you online all day.

---

## Before You Start



- ✓ Read through each step carefully and follow the proper order
- ✓ Separate and count all your parts and hardware
- ✓ Give yourself enough room for the assembly process
- ✓ Have the following tools: Flat Head Screwdriver, #2 Phillips Head Screwdriver and Hammer
- ✓ Caution: If using a power drill or power screwdriver for screwing, please be aware of to slow down and stop when screw is tight. Failure to do so may result in stripping the screw.

## Helpful Hints

PEOPLE NEEDED FOR ASSEMBLY: 1-2

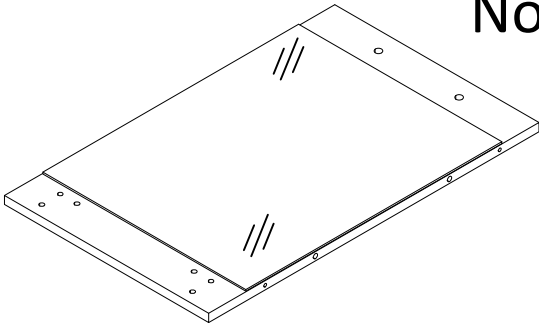
- Open your item in the area you plan to keep it to avoid excessive heavy lifting.
- Identify, sort and count the parts before attempting assembly.
- Compression dowels are lightly tapped in with a hammer.
- Slides are labeled with an **R** (right) and **L** (left) for proper placement.
- Make sure to always face the point on the top of the Cam Lock towards the outer edge.
- Use all the nails provided for the back panel and spread them out equally.
- Back panel must be used to make sure your unit is sturdy.
- Do NOT use harsh chemicals or abrasive cleaners on this item.
- Never push, pull, or drag your furniture.



---

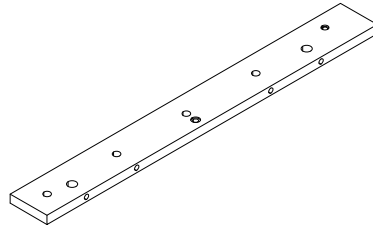
# Board Identification

Not actual size



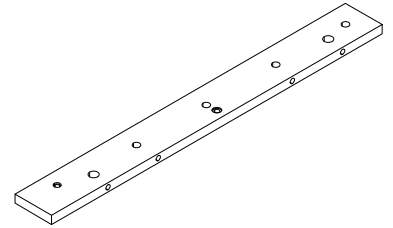
Ⓐ

DRESSING MIRROR  
Qty:1



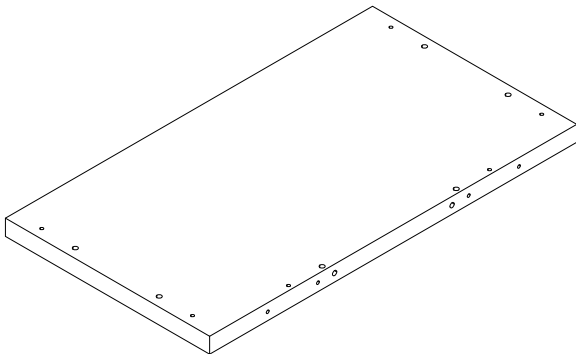
Ⓑ

UPPER LEFT BACK PANEL  
Qty:1



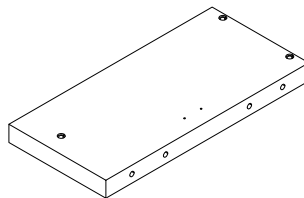
Ⓒ

UPPER RIGHT BACK PANEL  
Qty:1



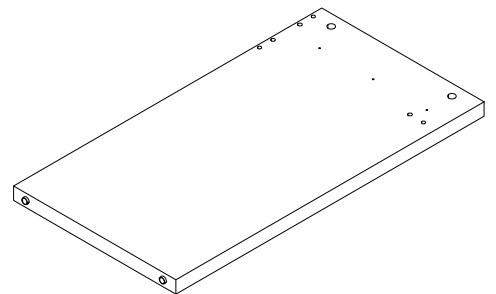
Ⓓ

TOP  
Qty:1



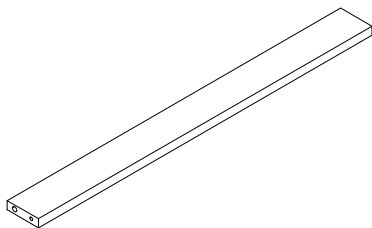
Ⓔ

LEFT SIDE PANEL  
Qty:1



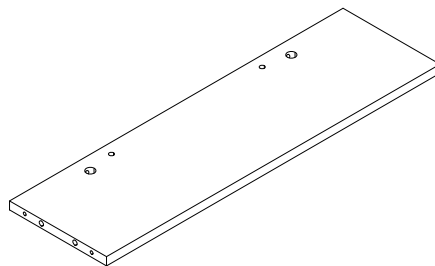
Ⓕ

RIGHT SIDE PANEL  
Qty:1



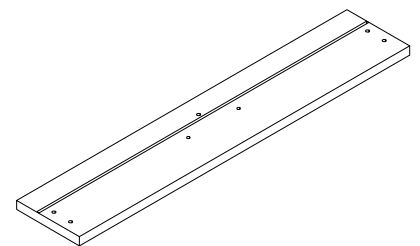
Ⓖ

SLAT UNDER DRAWER  
Qty:1



Ⓗ

LOWER BACK PANEL  
Qty:1



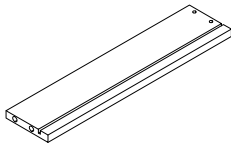
Ⓘ

DRAWER FRONT  
Qty:1

---

# Board Identification

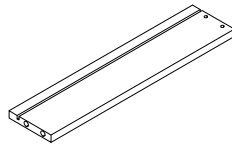
Not actual size



ⓐ

DRAWER LEFT PANEL

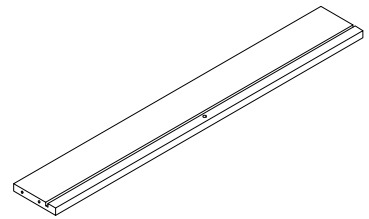
Qty:1



ⓑ

DRAWER RIGHT PANEL

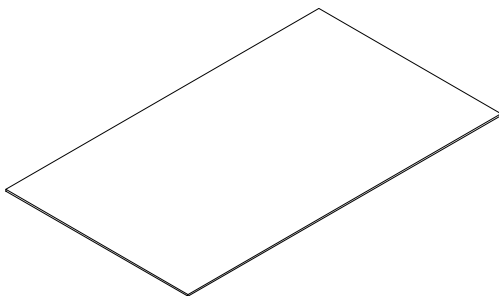
Qty:1



ⓒ

DRAWER BACK PANEL

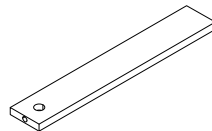
Qty:1



ⓓ

DRAWER BOTTOM

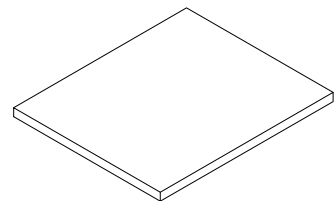
Qty:1



ⓔ

DRAWER SUPPORT

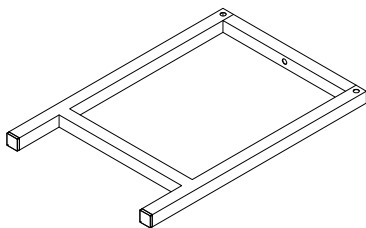
RAIL Qty:1



ⓕ

STOOL TOP

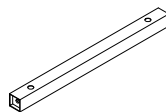
Qty:1



ⓖ

SIDE FRAME OF STOOL

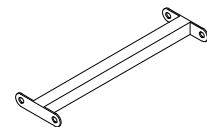
Qty:2



ⓗ

RAIL

Qty:2



ⓔ

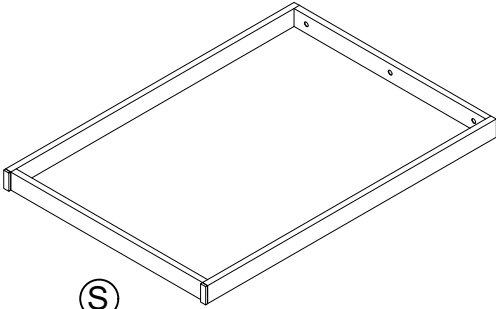
RAIL

Qty:1

---

# Board Identification

Not actual size



Ⓢ

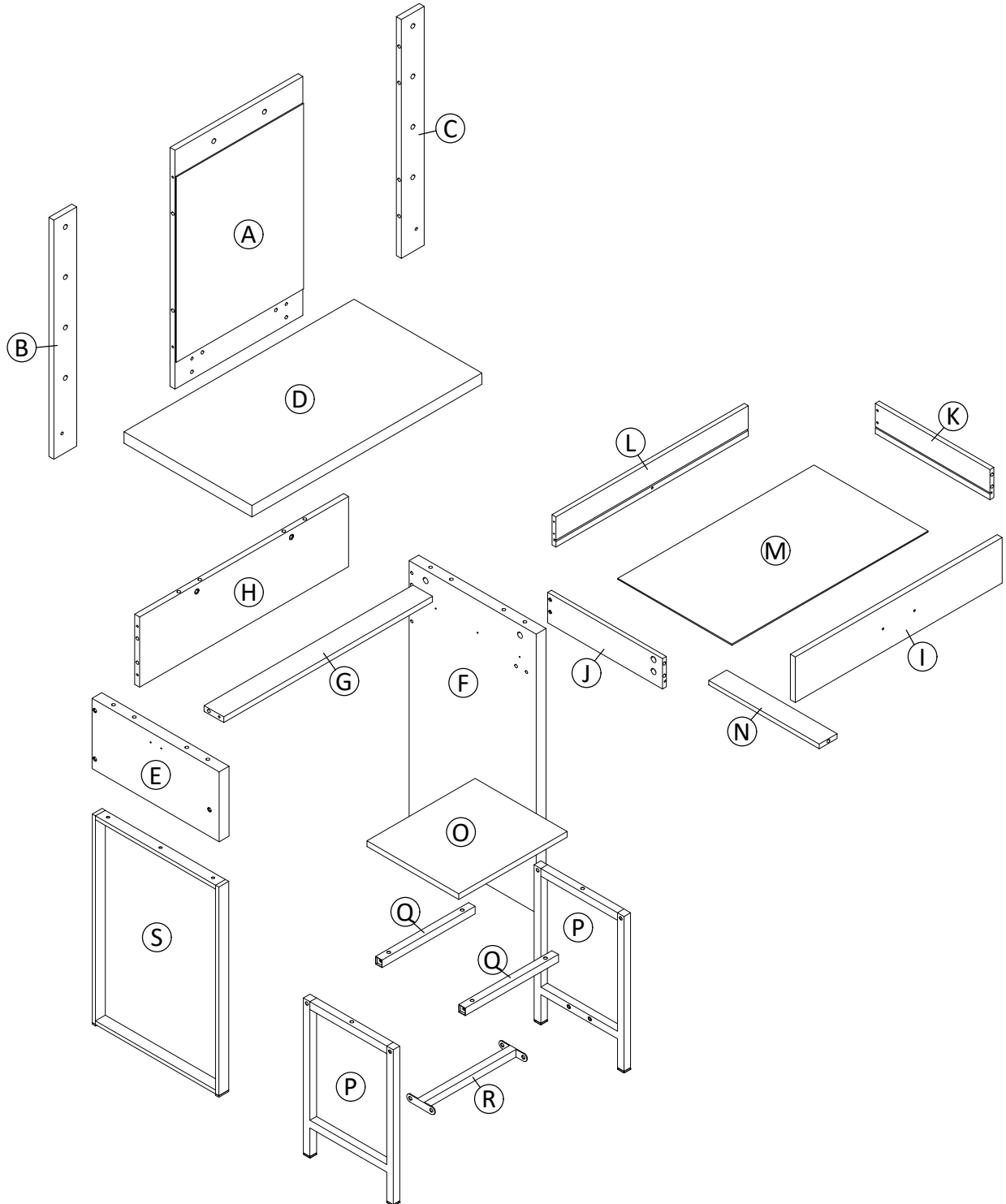
DESK LEFT FRAME

Qty:1

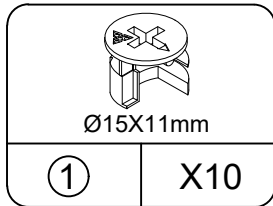
---

# Board Identification

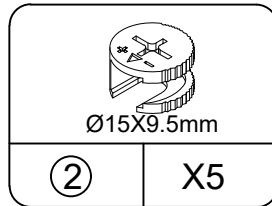
Not actual size



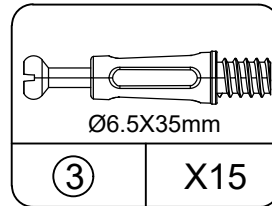
# Part List



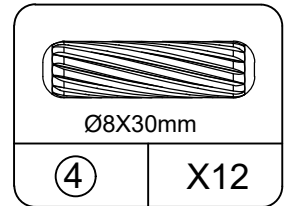
CAM LOCK  
spare:2



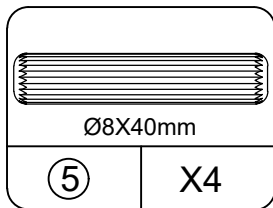
CAM LOCK  
spare:1



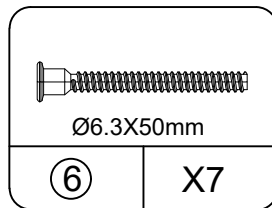
CAM BOLT  
spare:2



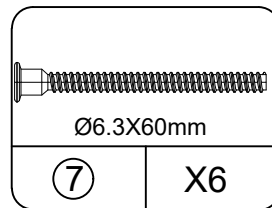
WOOD DOWEL  
spare:2



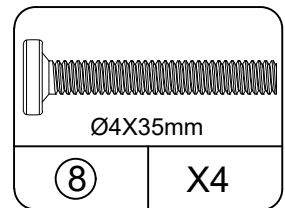
WOOD DOWEL  
spare:1



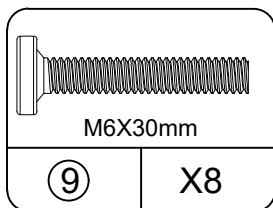
SCREW  
spare:1



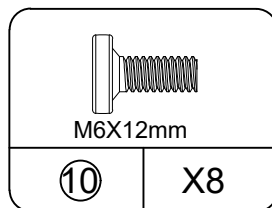
SCREW  
spare:1



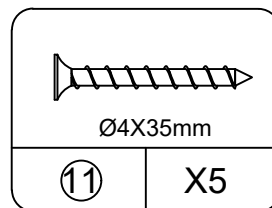
SCREW  
spare:1



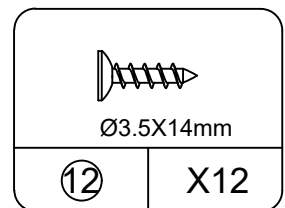
SCREW  
spare:1



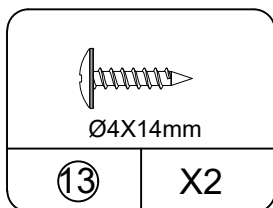
SCREW  
spare:1



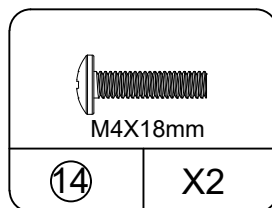
SCREW  
spare:1



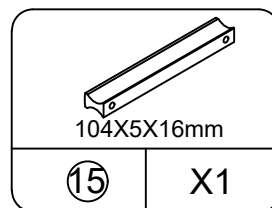
SCREW  
spare:2



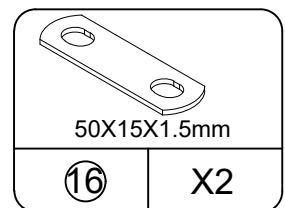
SCREW  
spare:1



SCREW  
spare:1

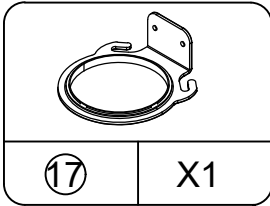


HANDLE

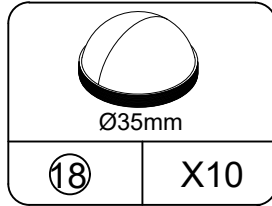


METAL PLATE

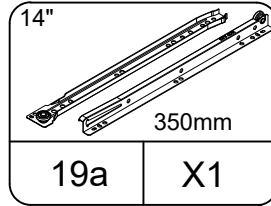
# Part List



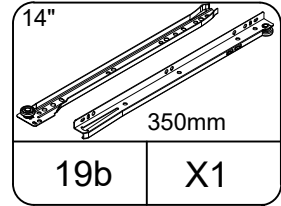
HAIR DRYER RACK



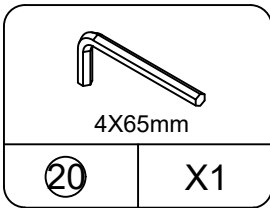
LIGHT BULB



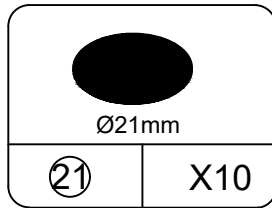
14"LEFT METAL SLIDE



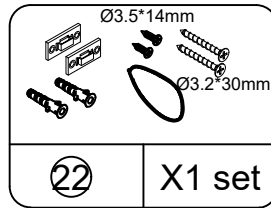
14"RIGHT METAL SLIDE



HEX KEY



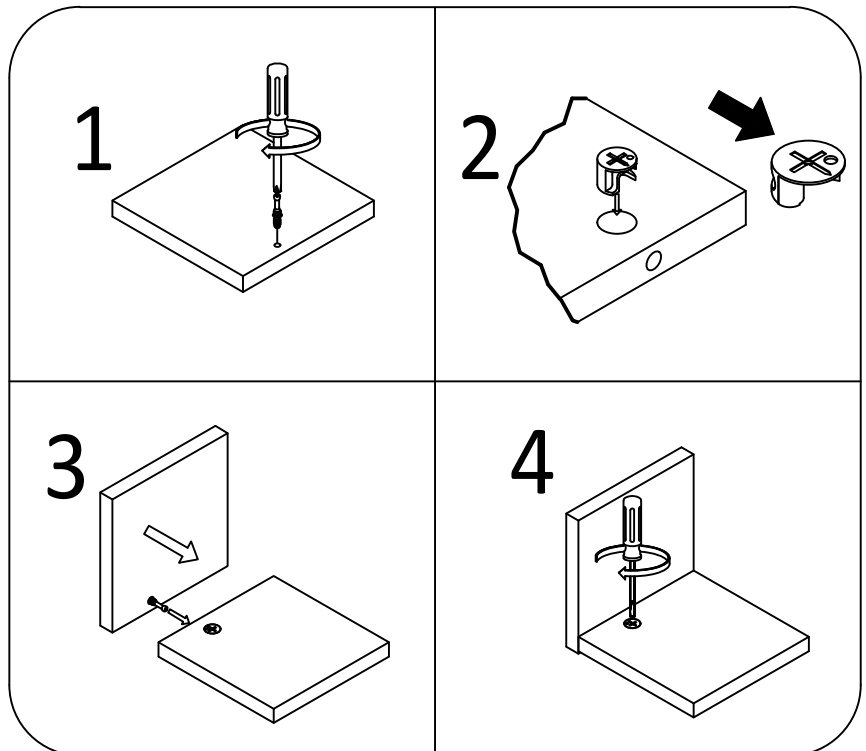
PERFECT STICKERS  
spare:2



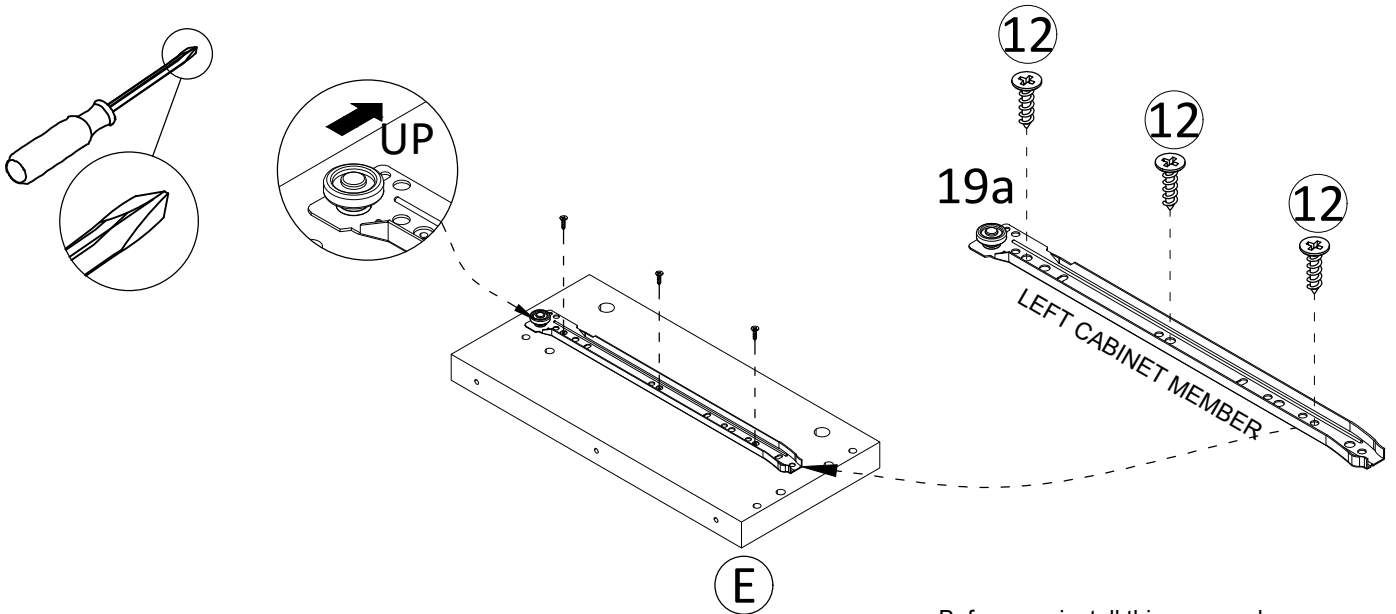
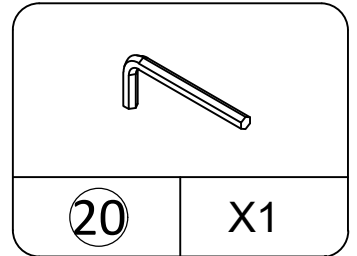
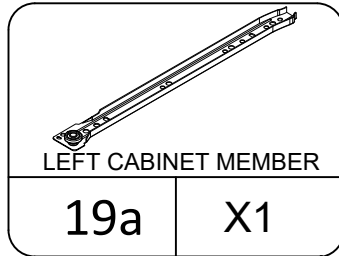
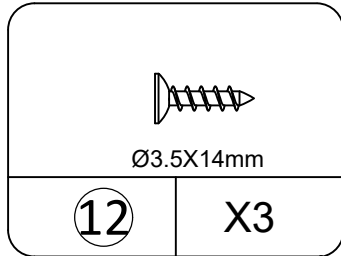
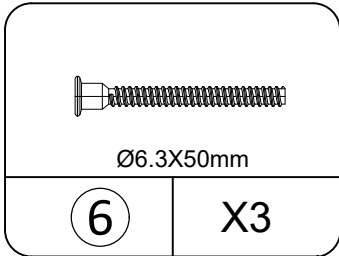
ANTI-TIPPING HARDWARE

## Cam Lock Fastening System

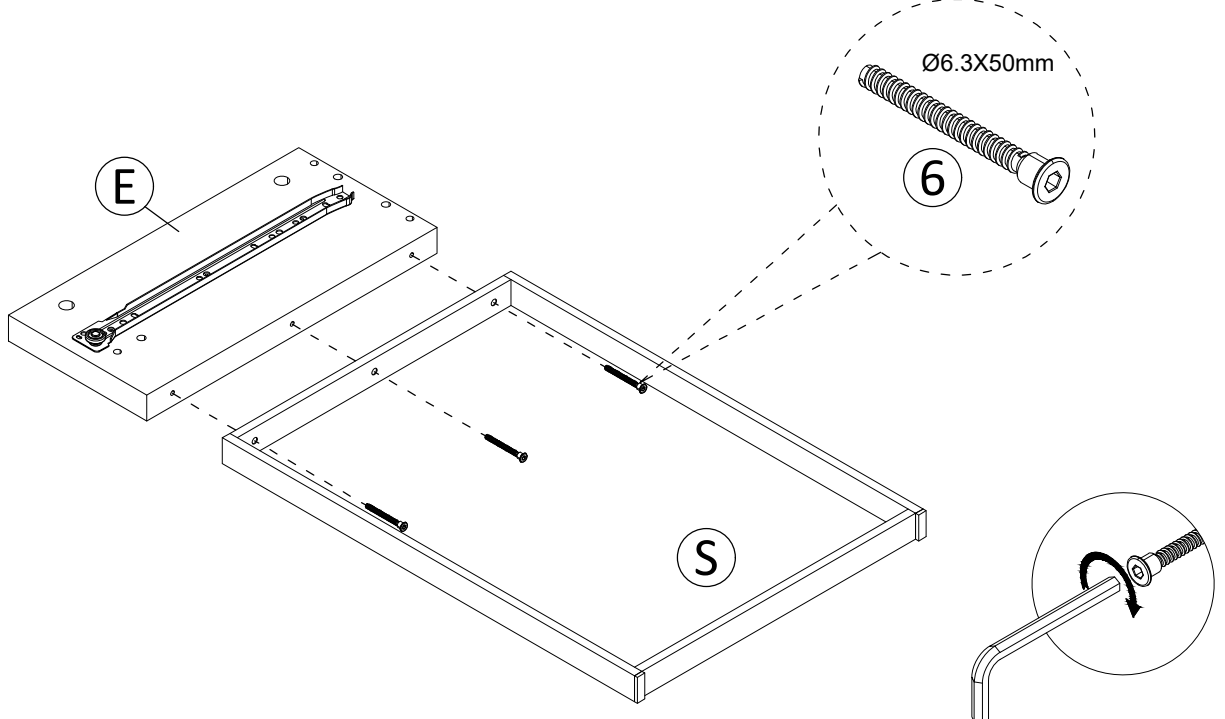
This Cam Lock Fastening System will be used throughout the assembly process.



# STEP 1

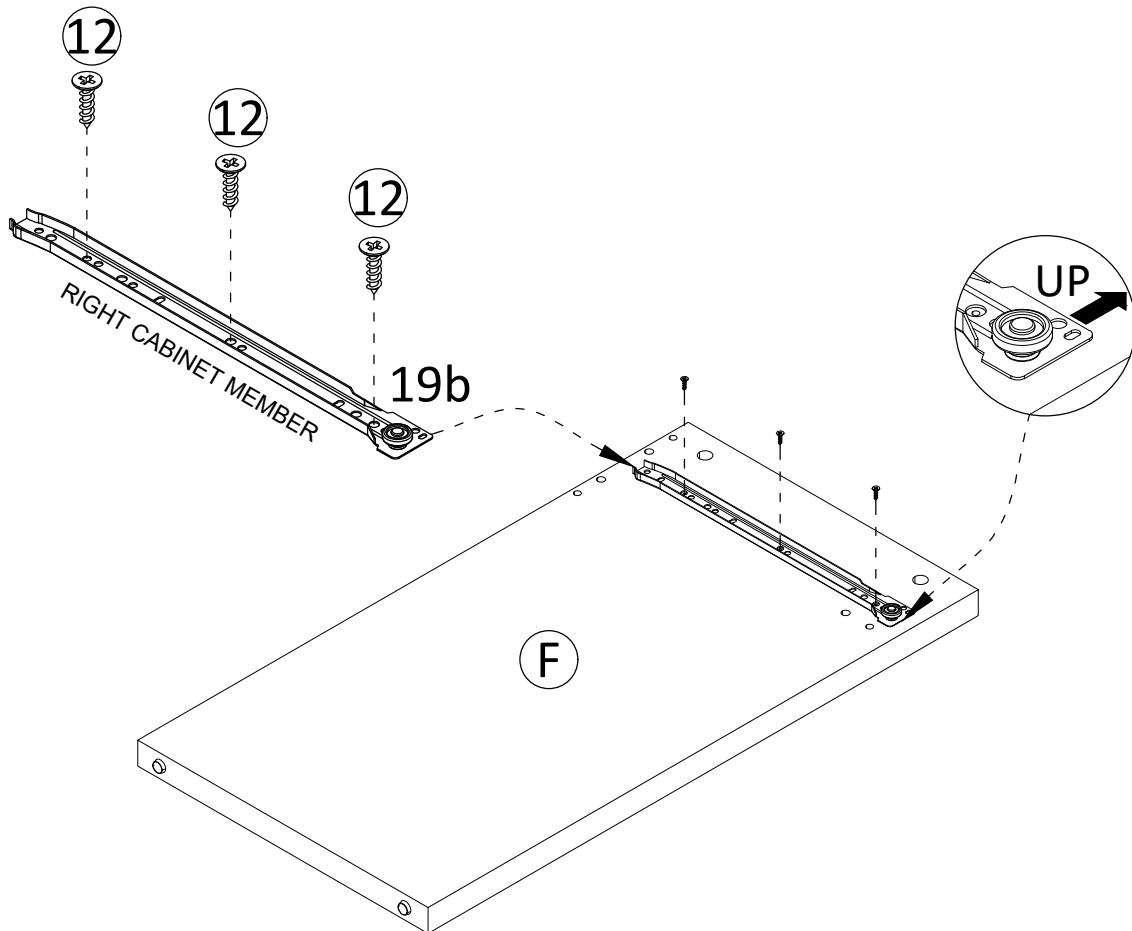
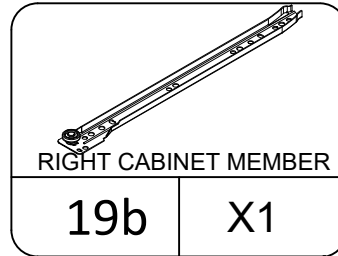
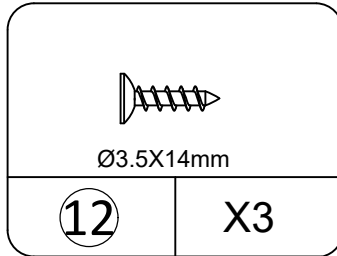
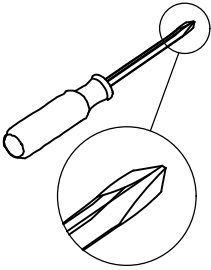


Before you install this screw, please make sure the screw size is Ø6.3\*50mm

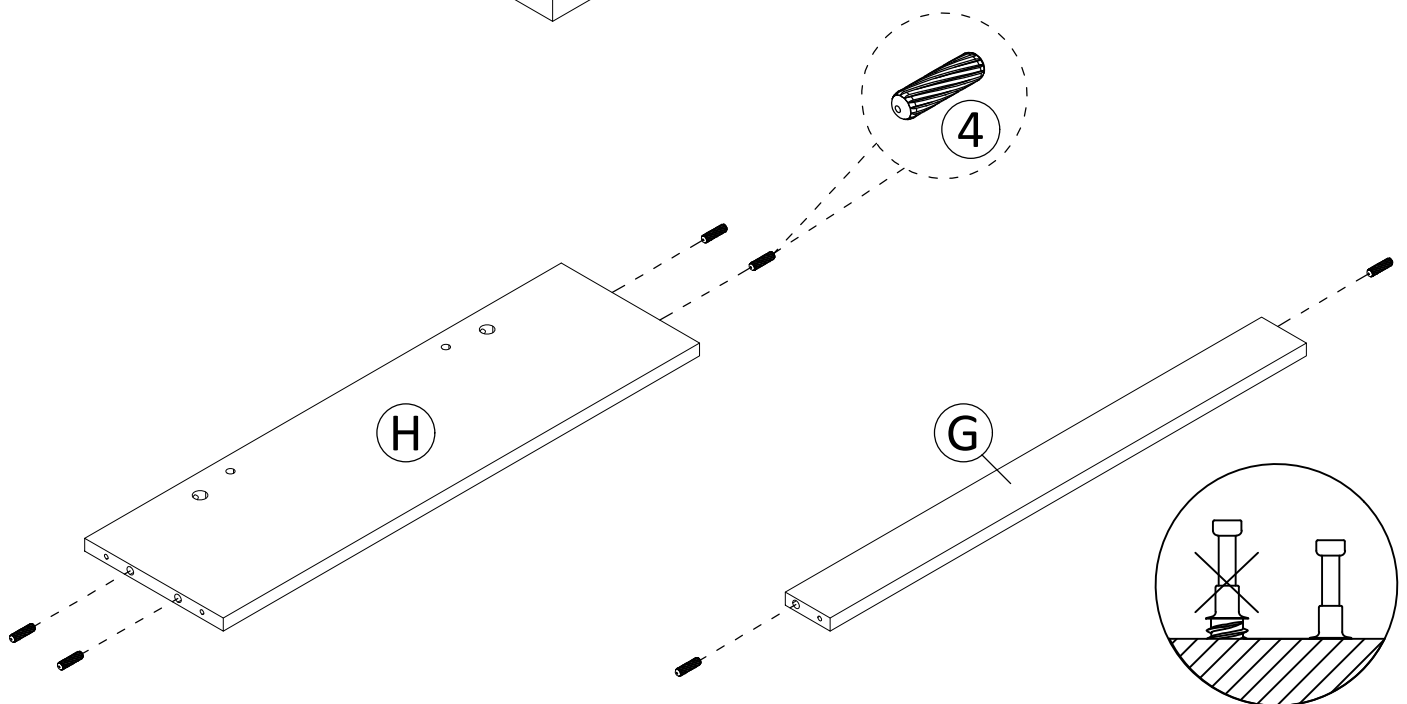
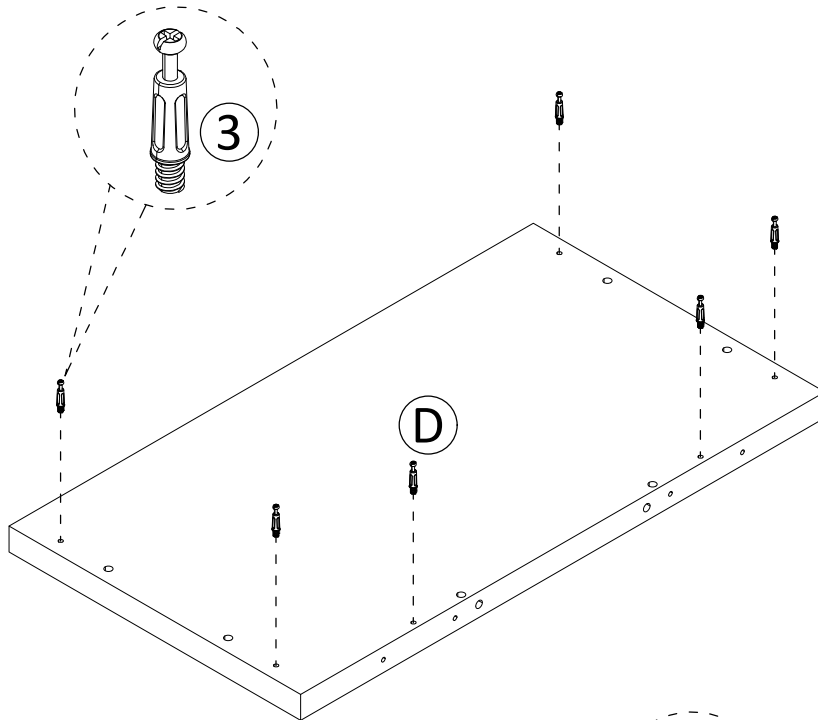
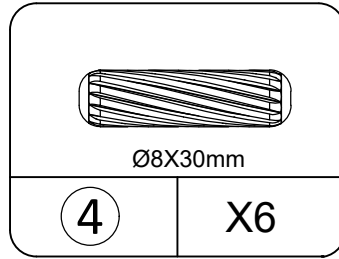
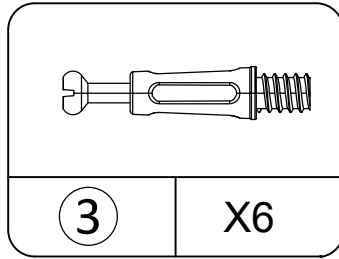
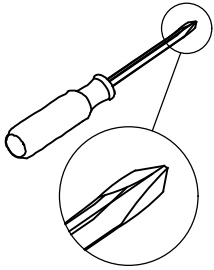


# STEP 2

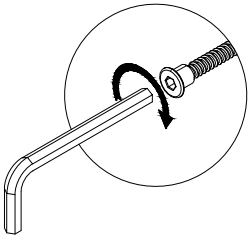
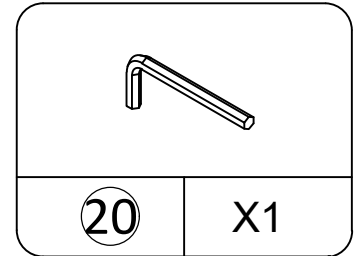
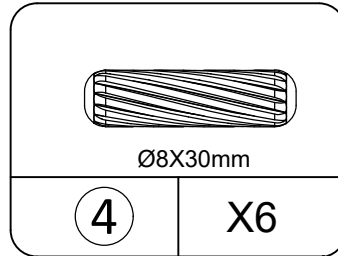
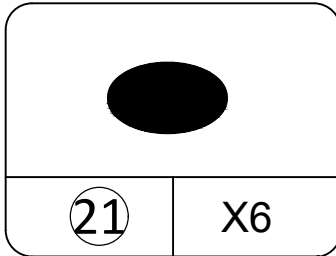
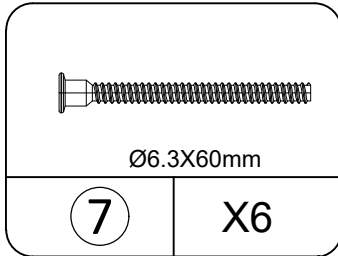
---



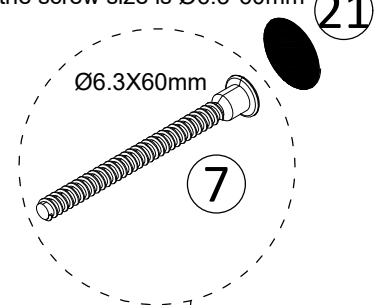
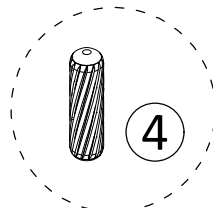
# STEP 3



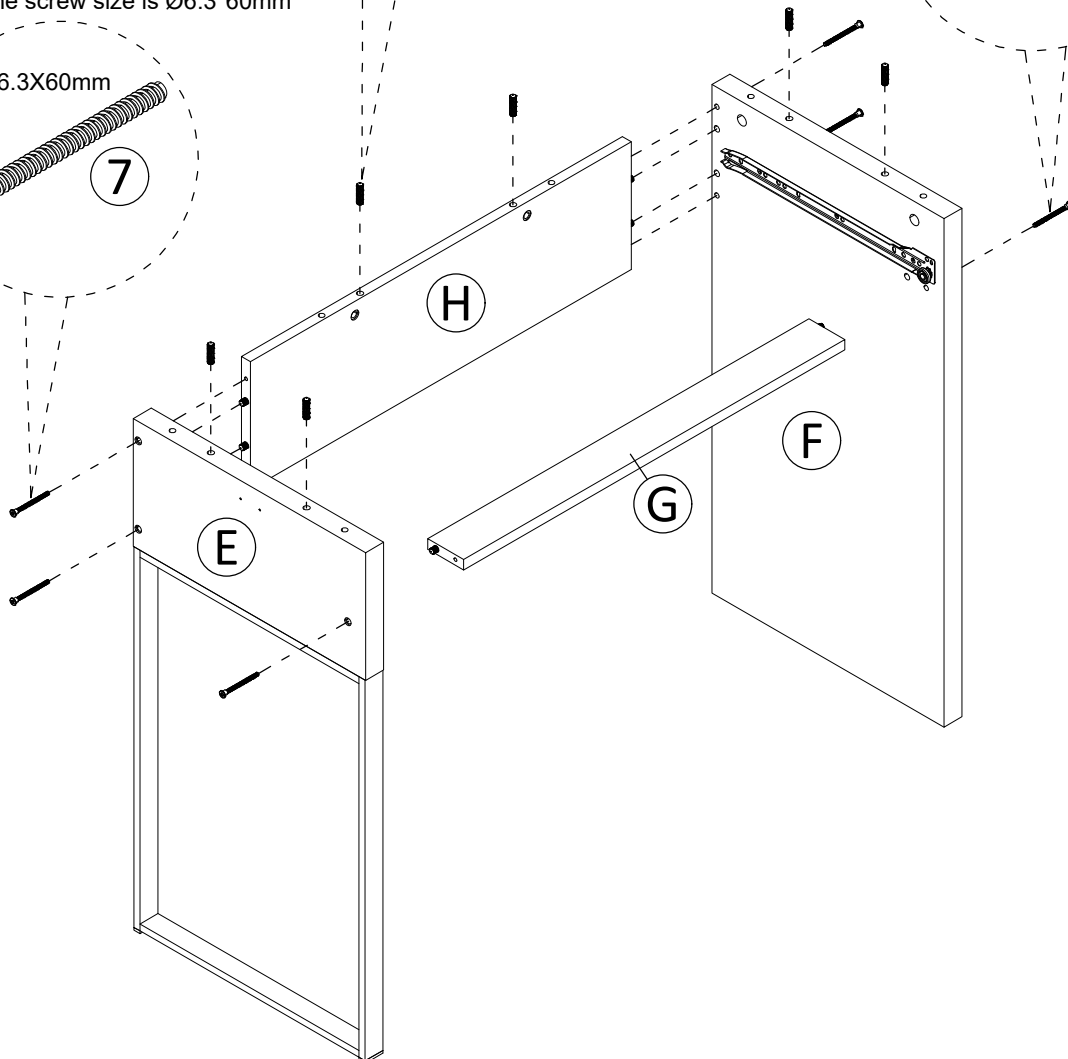
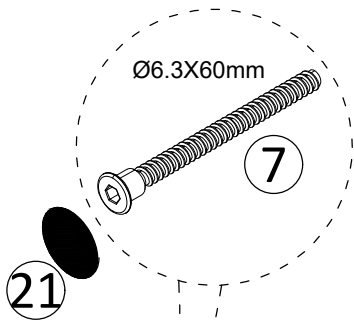
# STEP4



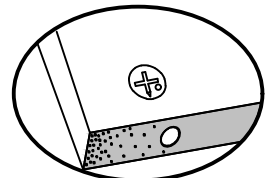
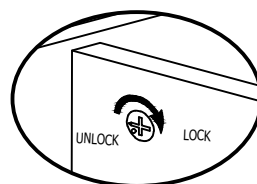
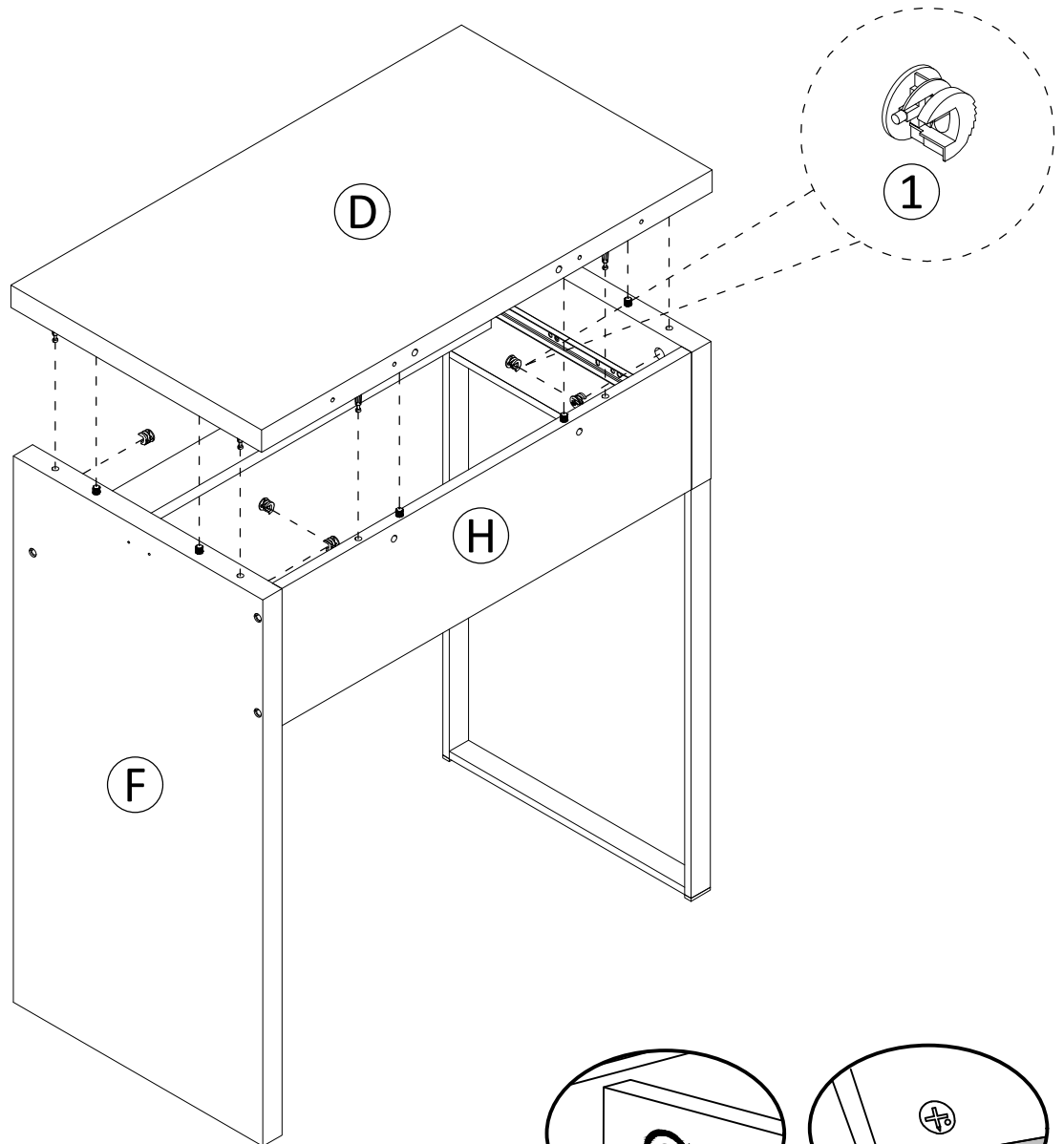
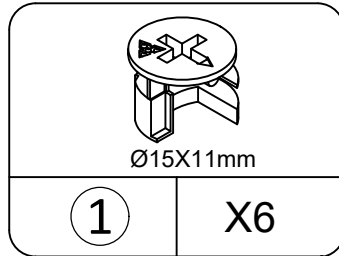
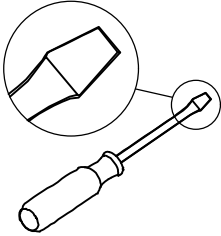
Before you install this screw, please make sure the screw size is Ø6.3\*60mm **21**



Before you install this screw, please make sure the screw size is Ø6.3\*60mm

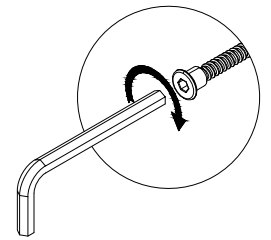
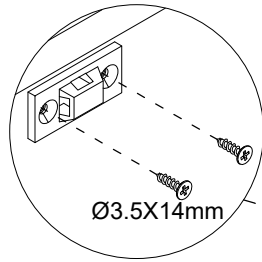
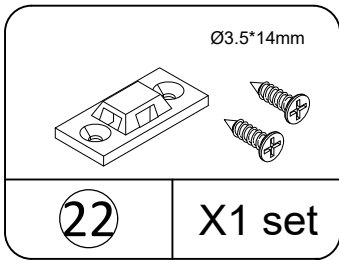
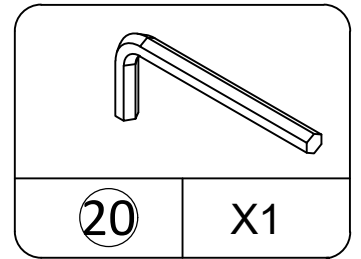
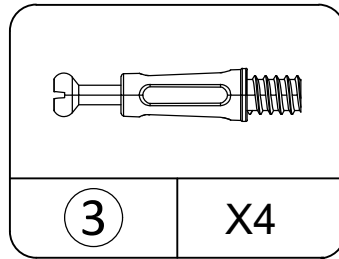
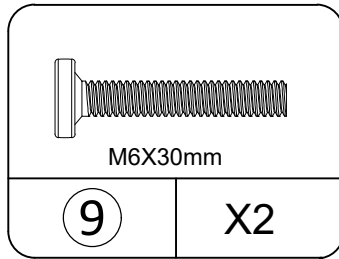
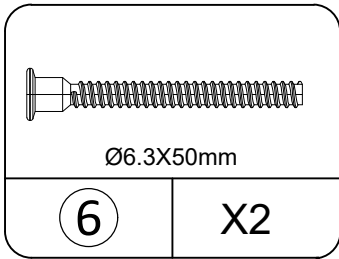


# STEP5

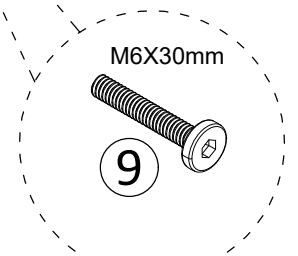
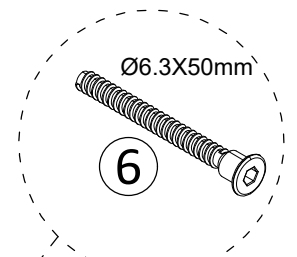
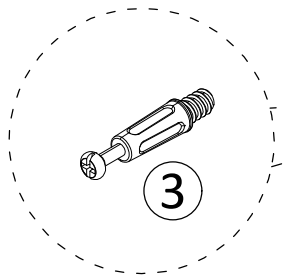


Proper orientation of CAM LOCK

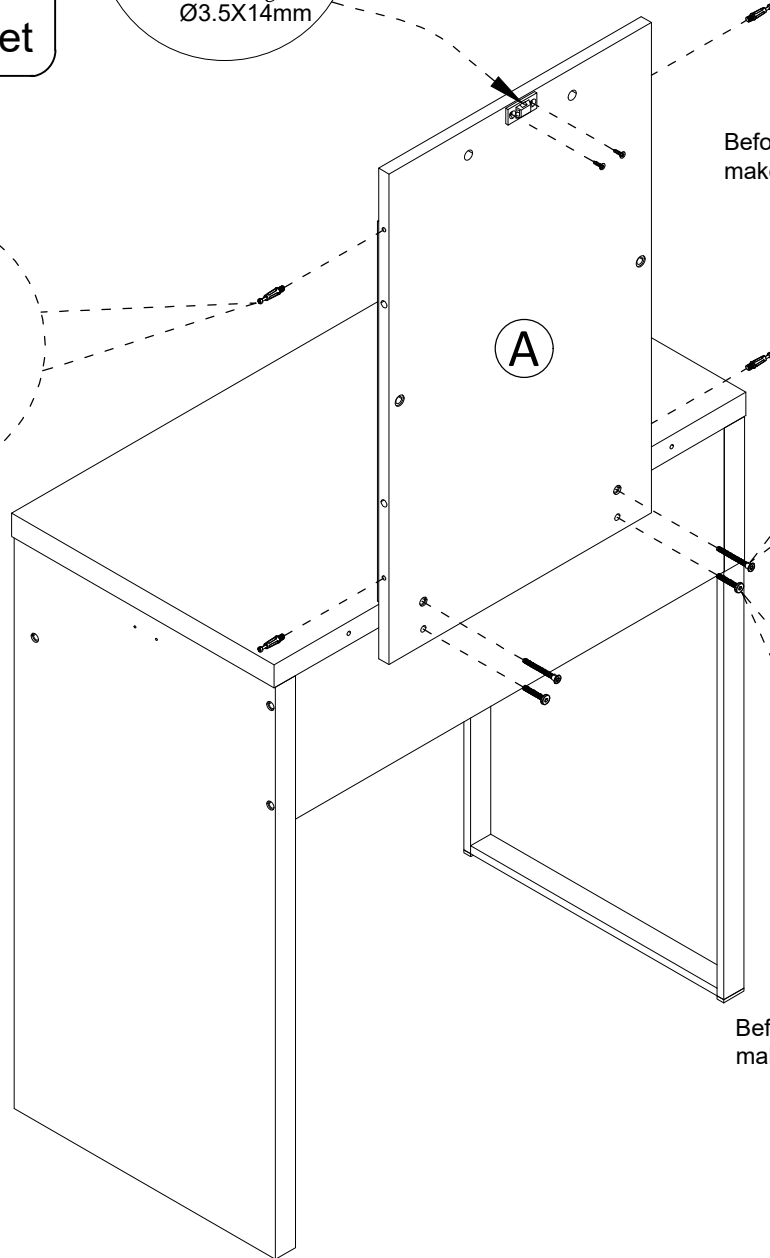
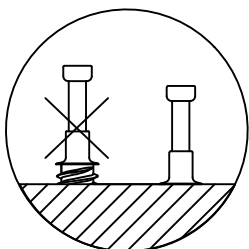
# STEP 6



Before you install this screw, please make sure the screw size is Ø6.3\*50mm

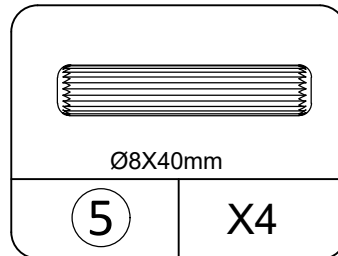


Before you install this screw, please make sure the screw size is M6\*30mm

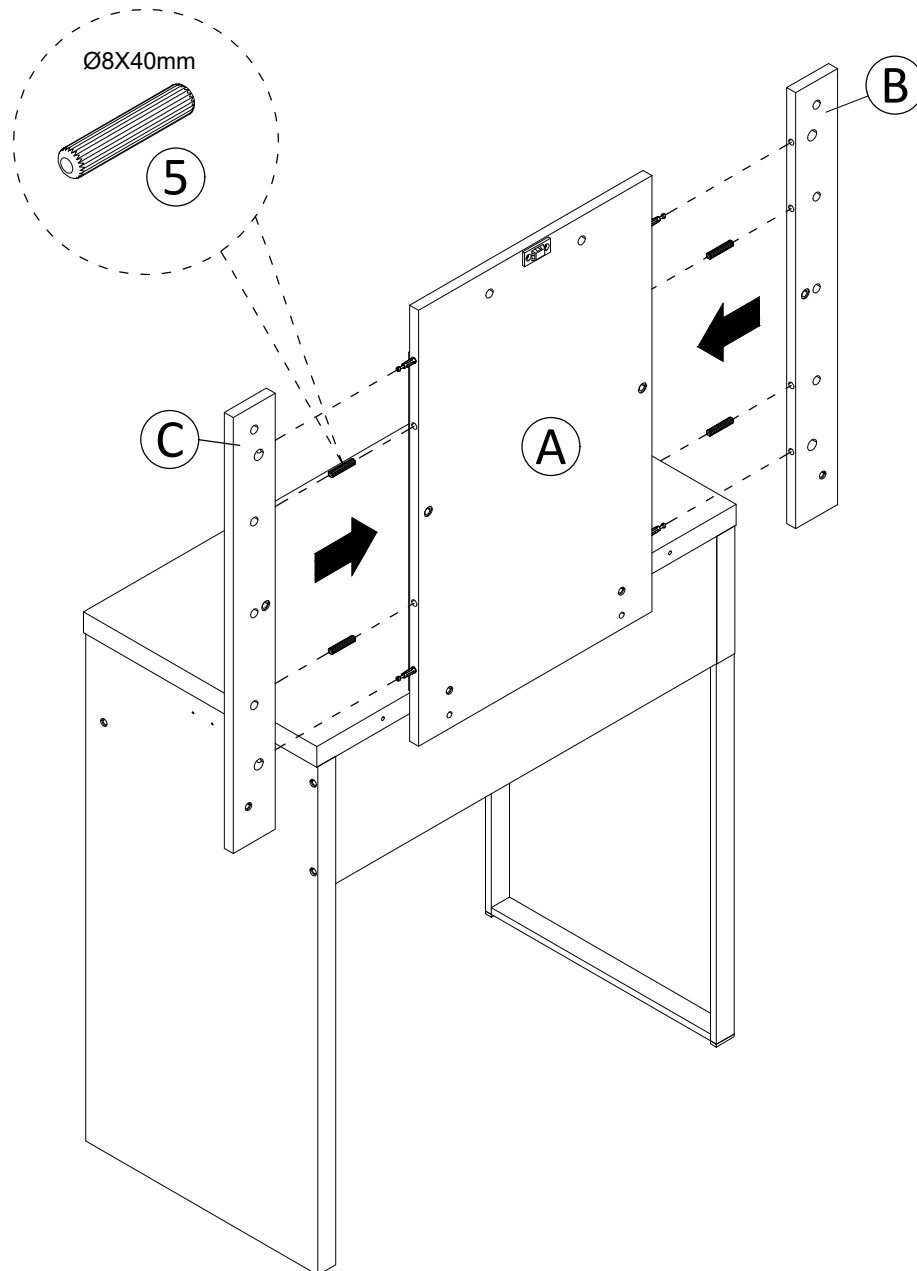


# STEP 7

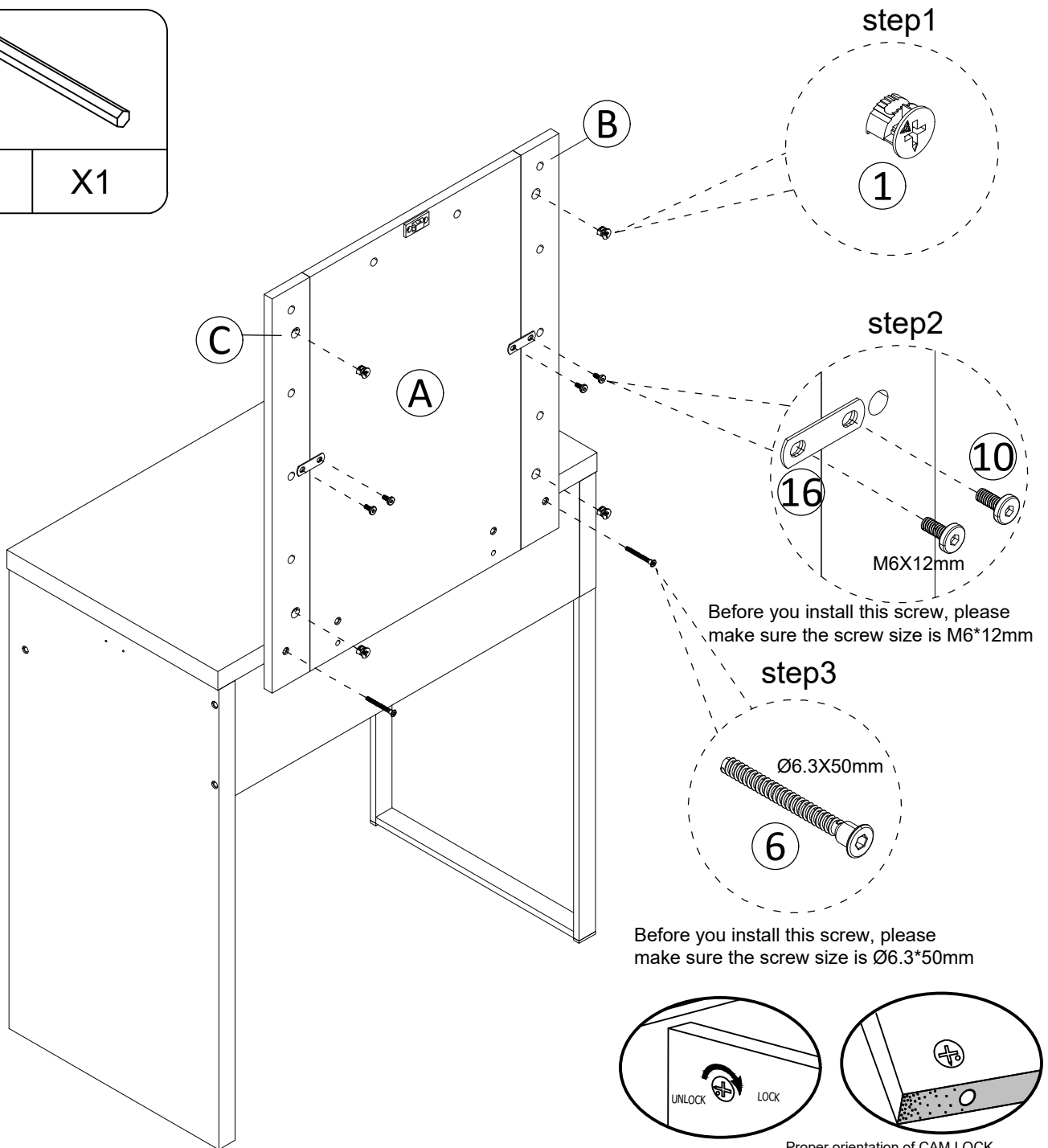
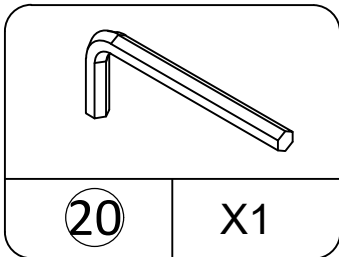
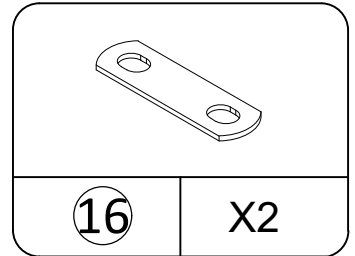
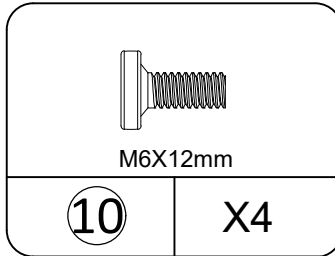
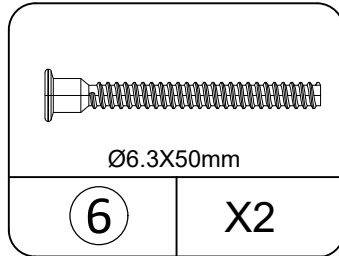
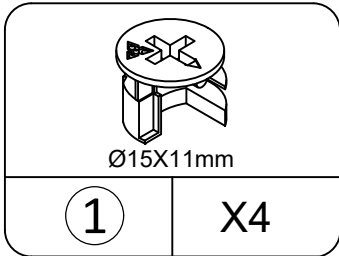
---



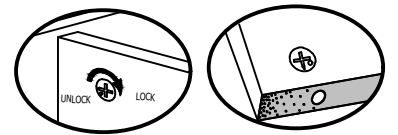
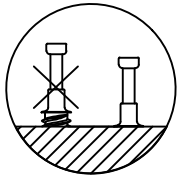
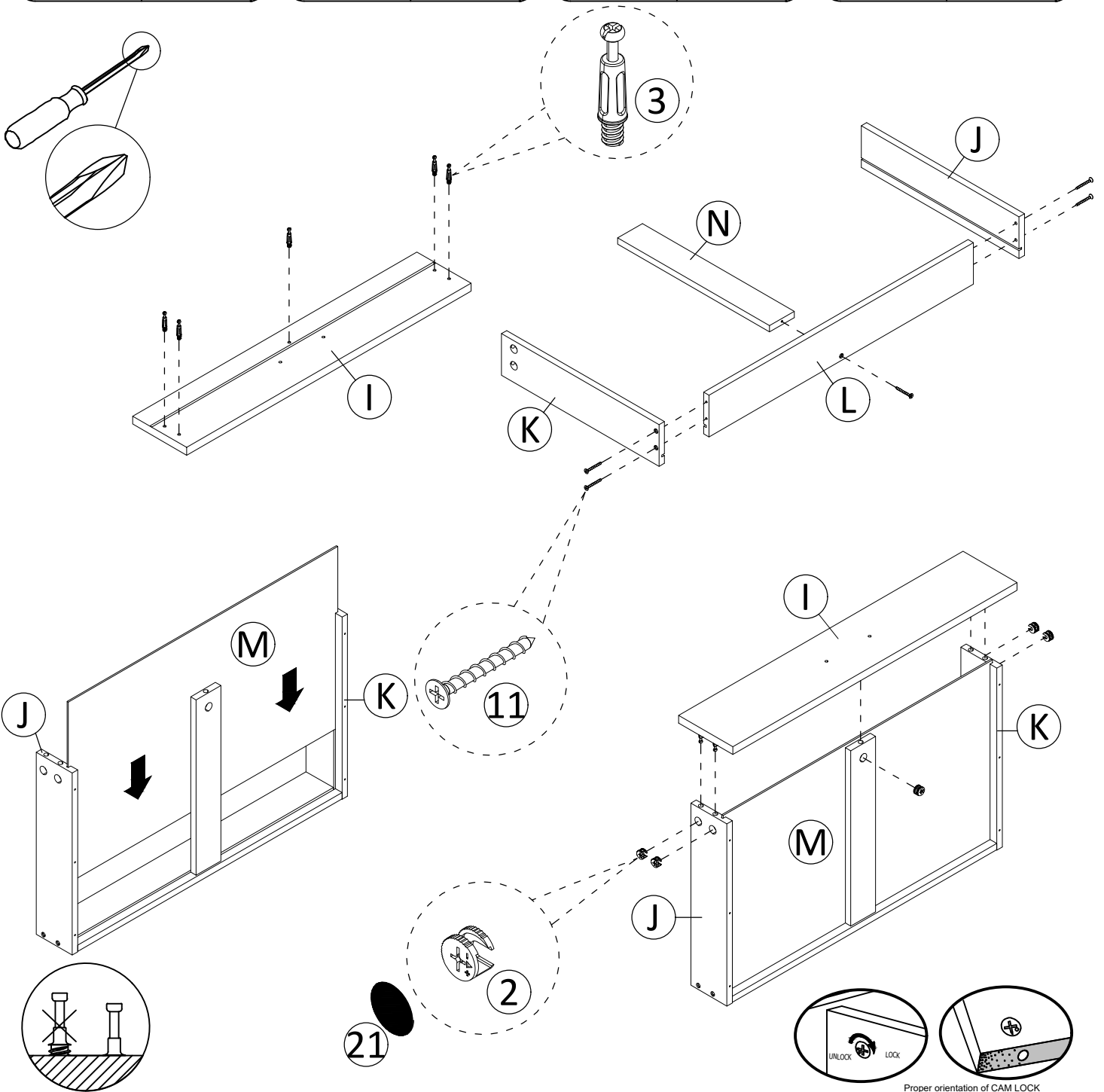
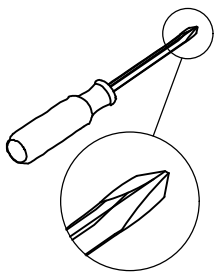
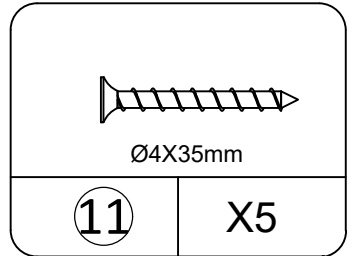
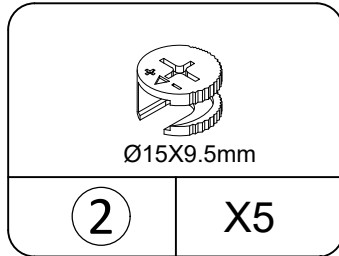
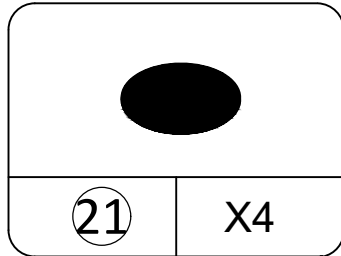
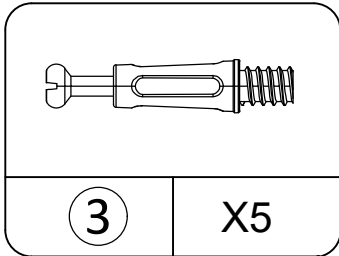
Before you install this wood dowel, please make sure the wood dowel size is Ø8\*40mm



# STEP8

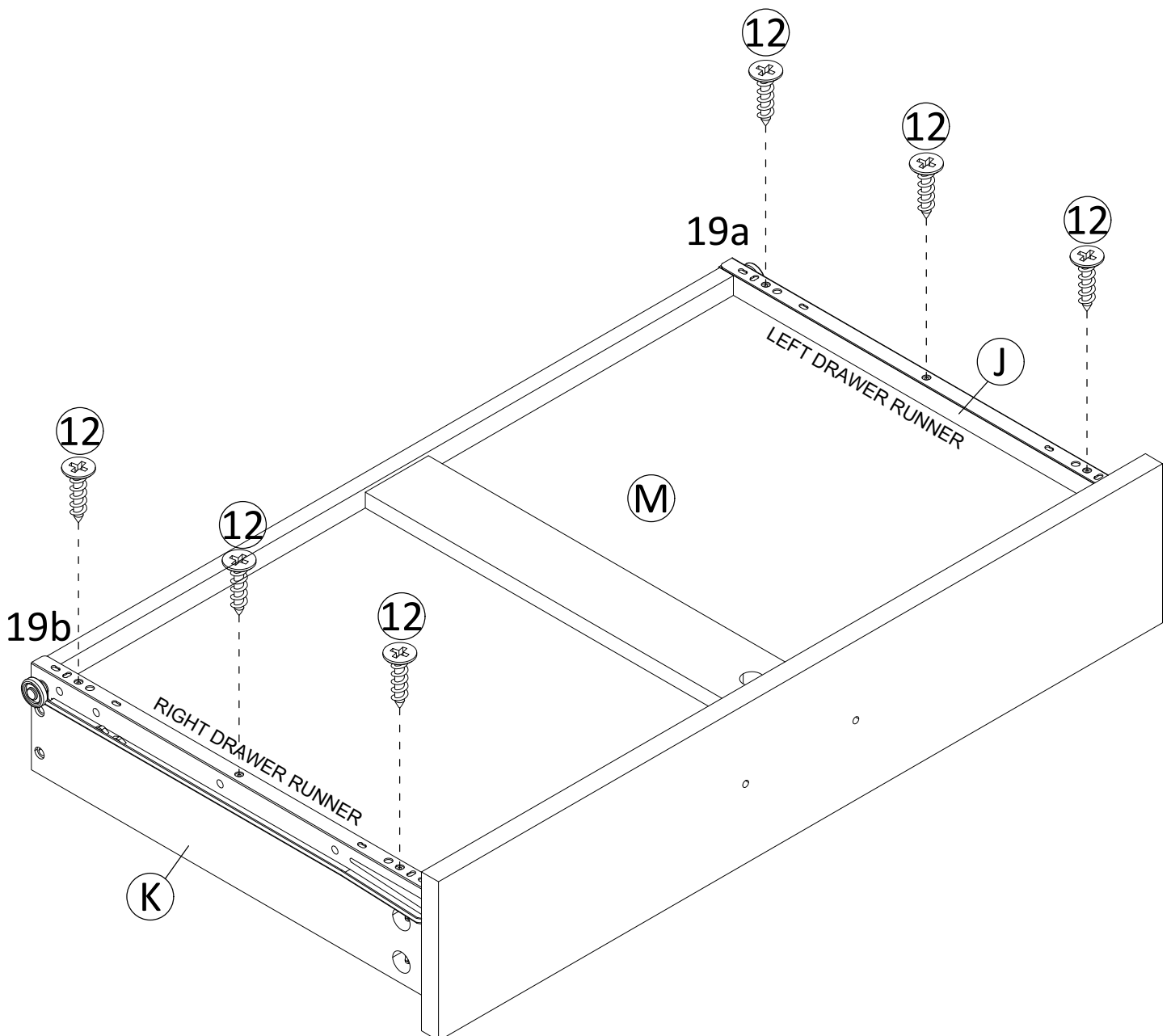
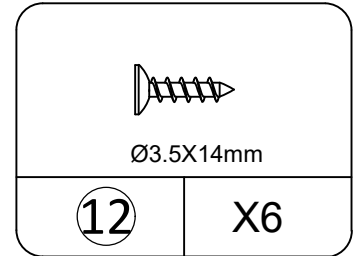
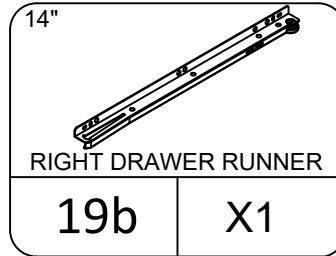
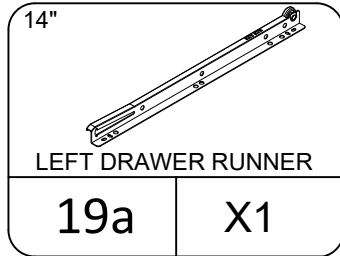
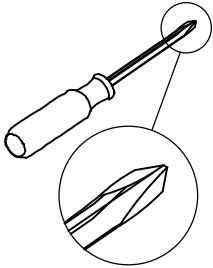


# STEP 9

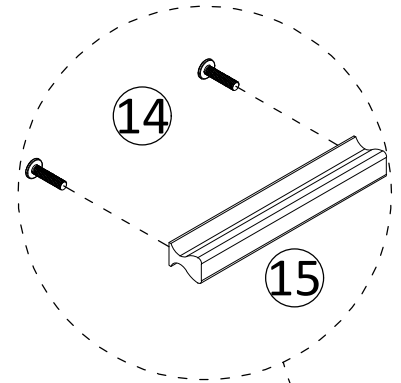
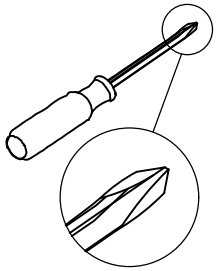
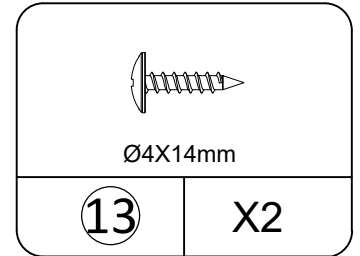
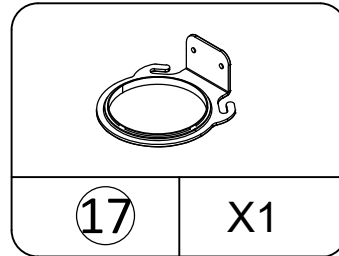
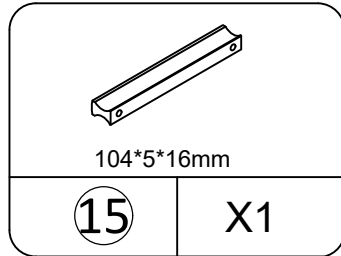
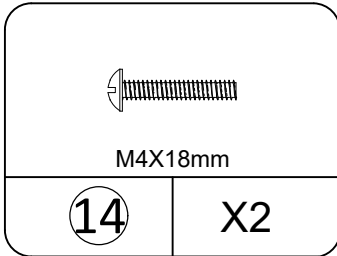


Proper orientation of CAM LOCK

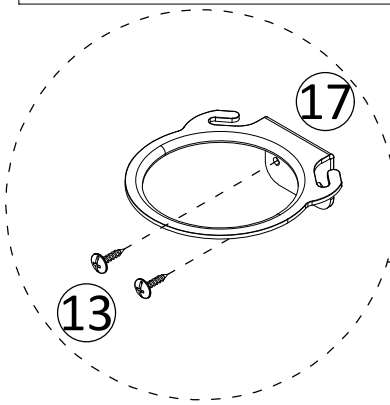
# STEP 10



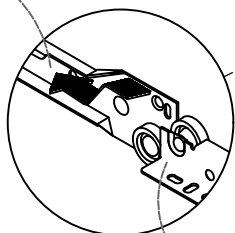
# STEP 11



You can install the hair dryer rack(17) on the left or right according to your needs

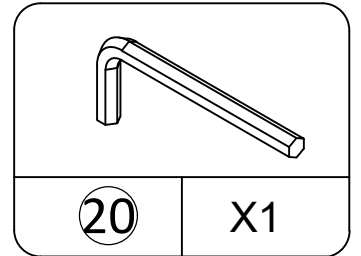
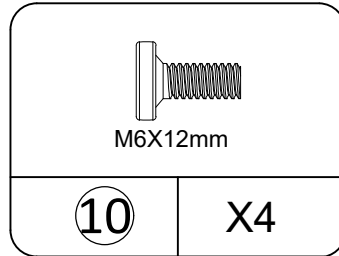
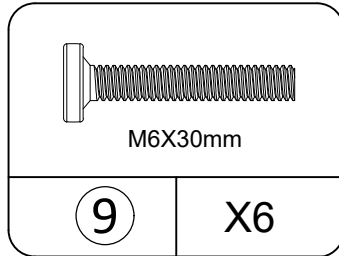
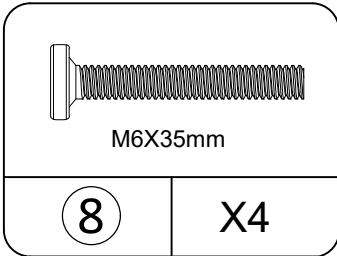


Cabinet Slide

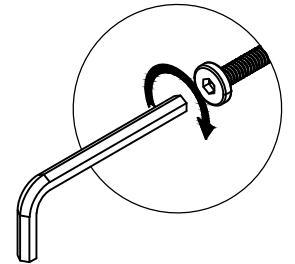
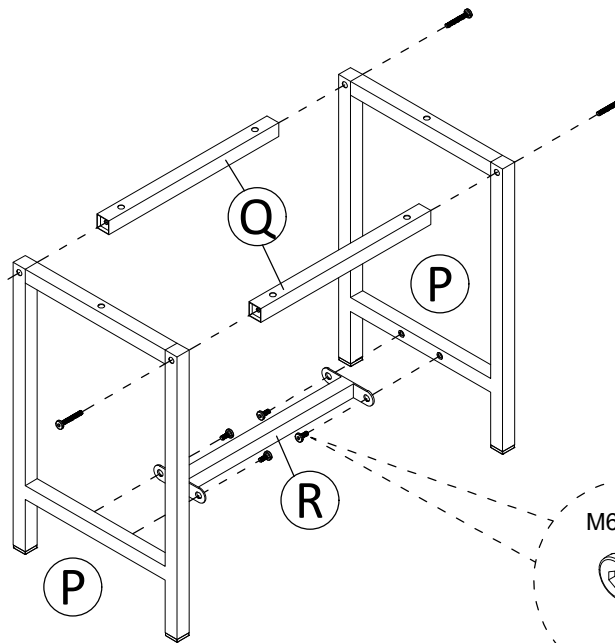
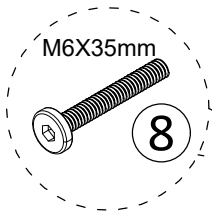


Drawer Slide

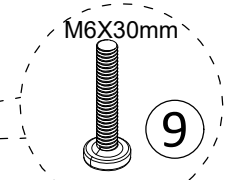
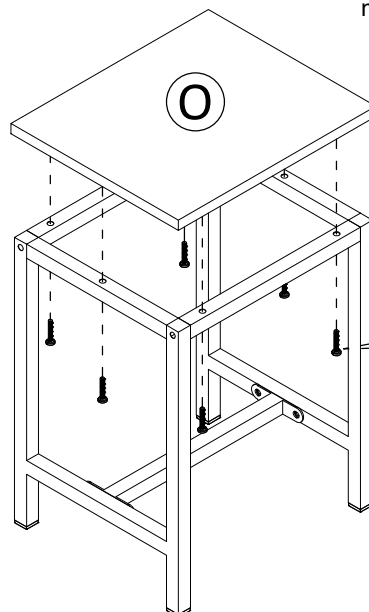
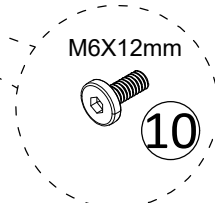
# STEP12



Before you install this screw, please make sure the screw size is M6\*35mm

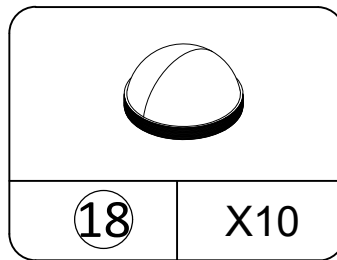


Before you install this screw, please make sure the screw size is M6\*12mm

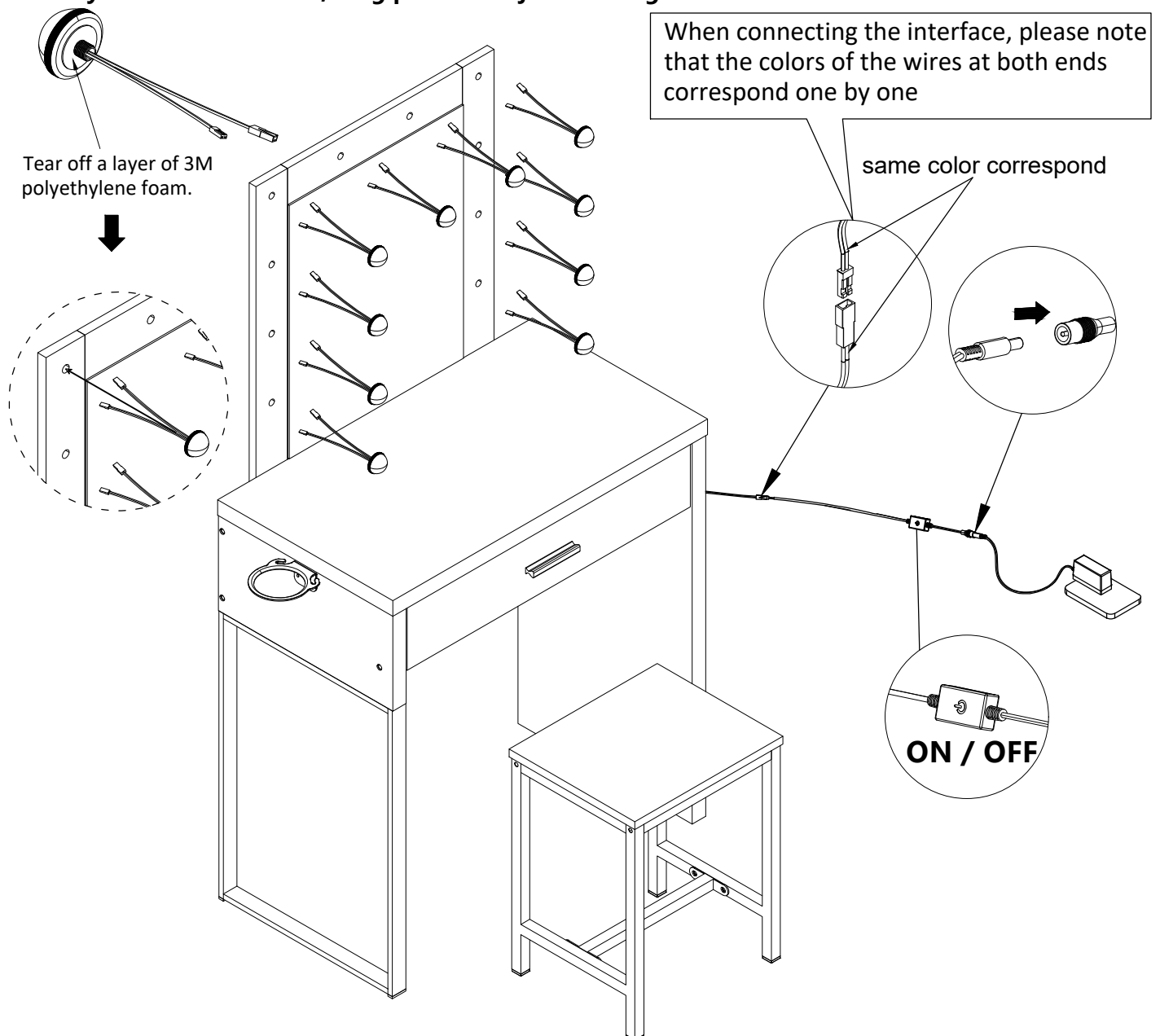


Before you install this screw, please make sure the screw size is M6\*30mm

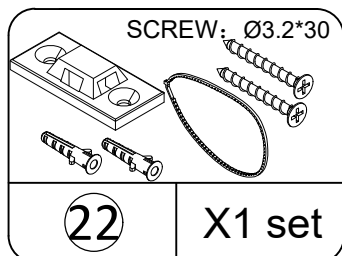
# STEP13



1. Pass the bulb wire through the pre punched plate, then gently press the bulb and make it adhere to the plate, and then connect the adjacent bulbs successively through the wire head slot on the opposite side (corresponding to the line of the same color).
2. When making up, you can use the switch to turn on or off the light. The dressing table brings you 3 color temperature light modes, touch the button you can easy light up the mirror and change colors to meet your different needs, long press to adjust the brightness.



# STEP14

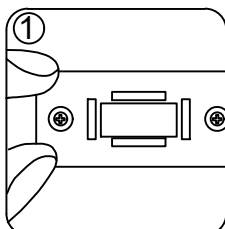


We have included a set of tipping restraint hardware for this unit. You must install this hardware to prevent accidents or injuries that can result from the unit falling. When properly installed, this restraint can provide protection against the unexpected tipping of the unit due to small tremors, bumps or climbing. We strongly recommend mounting this hardware to a wall stud and your unit.

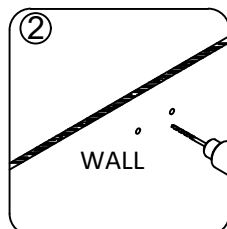
**NOTE:**The tipping restraint hardware included is for wooden stud wall construction. It must be attached to a wall stud. Depending upon your wall construction different anchor hardware maybe required. Please contact your local hardware store for assistance. Young children can be seriously injured by tipping furniture. You must install the tipping restraint hardware with the unit to prevent the unit from tipping, causing any accidents or damage. The tipping restraints are intended only as a deterrent and are not a substitute for proper adult supervision. The tipping restraints are not earthquake restraints. If you wish to add the extra security of earthquake restraints, they must be purchased and installed separately.



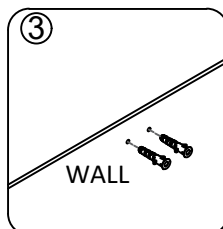
## Install the tipping restraint hardware



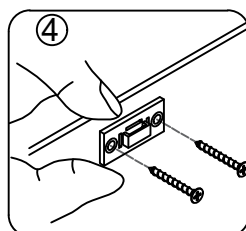
1. make mark on the wall



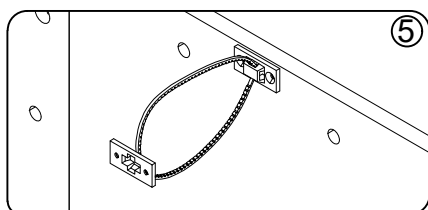
2. drill two Ø6 holes on the wall



3. put two anchors in the holes



4. fix the device on the wall by the long screws



5. Push the cabinet close to the wall so that the two bases are close to each other, and then put on nylon tie to tighten it.

