

IMPORTANT

We strongly suggest setting up your new tent before going camping to insure that all parts are present and to familiarize yourself with the tents assembly. This will have a great effect on how well you enjoy your camping trip.

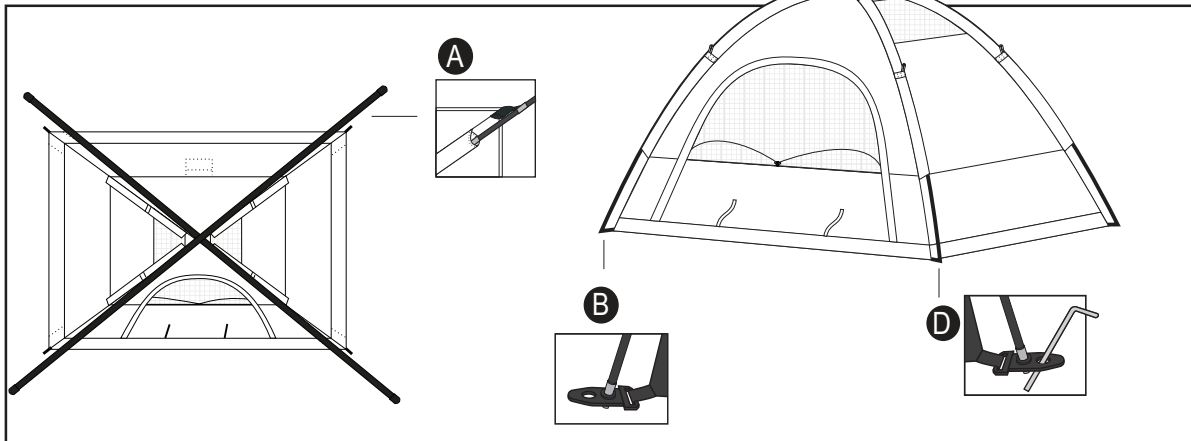


ASSEMBLY INSTRUCTIONS

To prolong the life of your tent floor we suggest using a ground cloth cut slightly smaller than the floor of your tent and that you select a clean level area for your campsite.

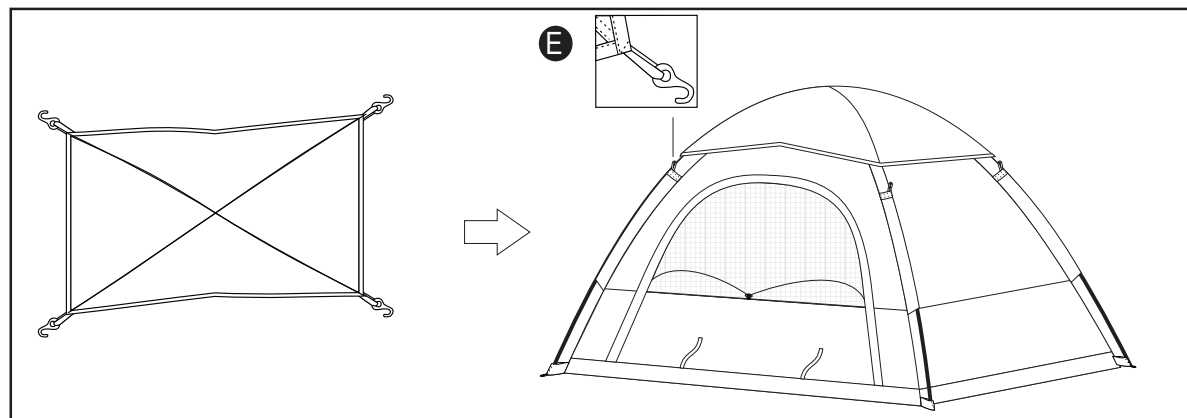
Step 1- TENT SET UP

- 1) Spread the tent body out on the ground.
- 2) Fully open both of the poles.
- 3) Carefully thread each pole through the pole sleeves located on top of tent (**Figure A**).
- 4) Starting with one pole, insert the pole end into the footing located at bottom corner of tent. Be sure to insert pole end into the opening closest to tent (**Figure B**). Bend pole and insert other end into the diagonally opposite corner of tent. Repeat process for other pole. Your tent should now be erect.
- 5) Tie the straps onto the poles atop of tent (**Figure C**).
- 6) Stake the tent down (**Figure D**).



Step 2- ATTACHING THE RAIN FLY

- 1) Drape fly over tent
- 2) Hook corners of fly to nylon straps on pole sleeves (**Figure E**).



Manufacturer's Warranty

Warranty covers product to be free from defects in material and workmanship for 14 days after date of purchase.

Warranty does not cover natural breakdown of materials that occur inevitably with extended use (e.g., UV damage, exhausted zippers, defects caused by accident, abuse, alteration, animal attack, storm damage, misuse or improper care.

This product is covered for 14 days from date of purchase. Please check all contents to verify product has no missing or broken parts. Gigatent will mail replacement parts free of charge within the 14 Day Manufacturer's Warranty by calling 1-877-836-8701 or emailing customerservice@gigatent.com. We highly recommend logging on to our website at www.gigatent.com should you need customer service.

WARNING:

This product was not designed to be left out in the sunlight for extended periods of time. Prolonged UV exposure will rapidly break down the color and integrity of this product. UV damage is not covered under our warranty.

WARNING : NEVER LEAVE BURNING FIRE UNATTENDED

Wind may topple product. Use extra caution.

Keep all Flame and Heat away from product.

THIS PRODUCT IS NOT FIRE PROOF.

IF LEFT TOO CLOSE OR ON OPEN FLAME THE PRODUCT WILL BURN OR BE SEVERELY DAMAGED.

CAUTION: Use caution when using propane stove on this product. Unintended fire may result in damage of product or bodily harm.

**Manufactured in China for
Gigatent
55 Haul Rd
Wayne, New Jersey 07470
www.gigatent.com**



For questions or concerns call Gigatent at our Toll Free Number:
877-836-8701 Monday-Thursday 9am-5pm EST, Friday 9am-12pm EST or email us at customerservice@gigatent.com.
For replacement parts, please login to our website at gigatent.com and click the link "replacement parts".

TO VIEW FULL SELECTION OF OUR PRODUCT LINE, VISIT TO WWW.GIGATENT.COM