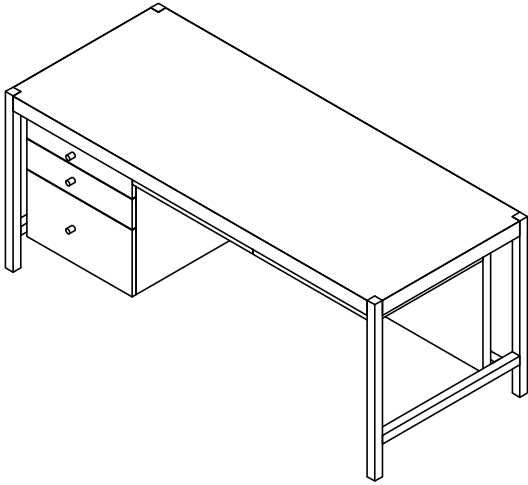


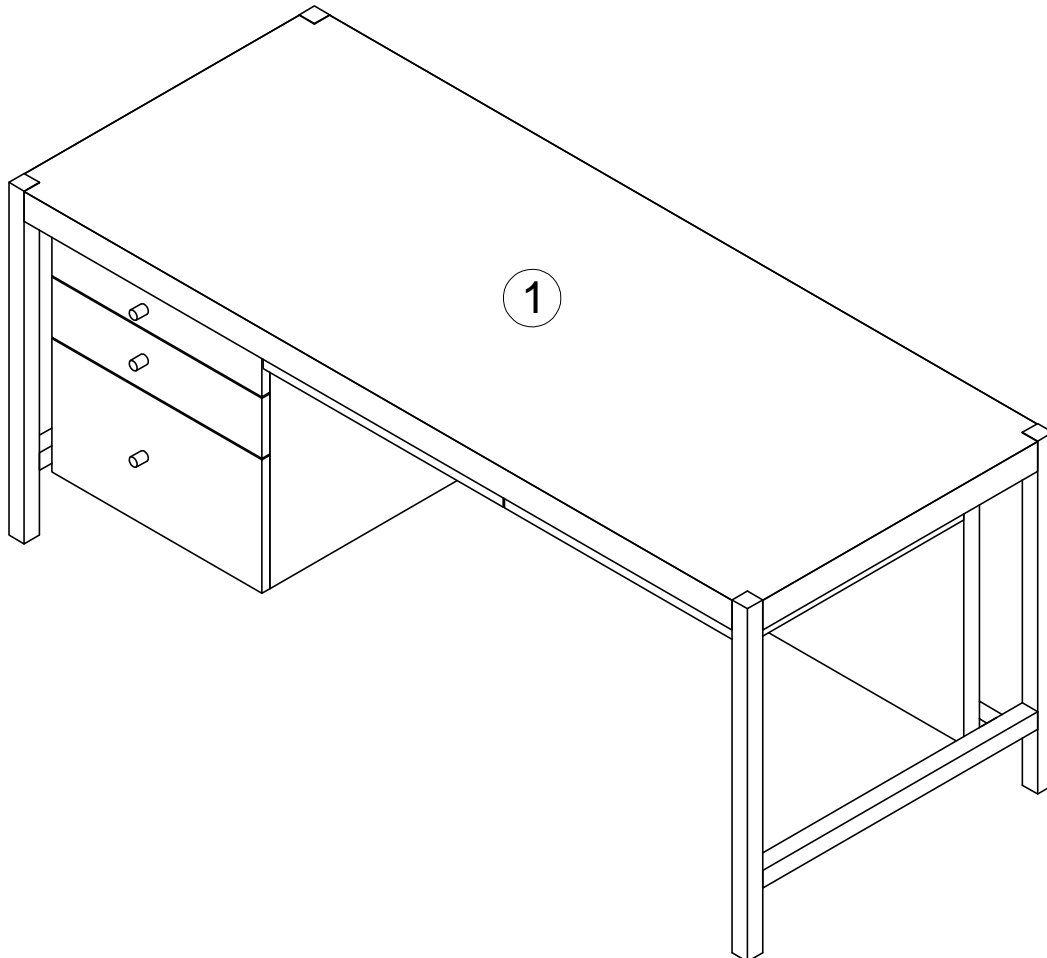


ASSEMBLY INSTRUCTION FOR SUSPENSION DESK

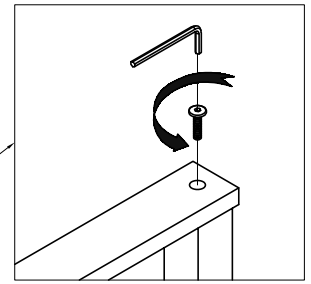
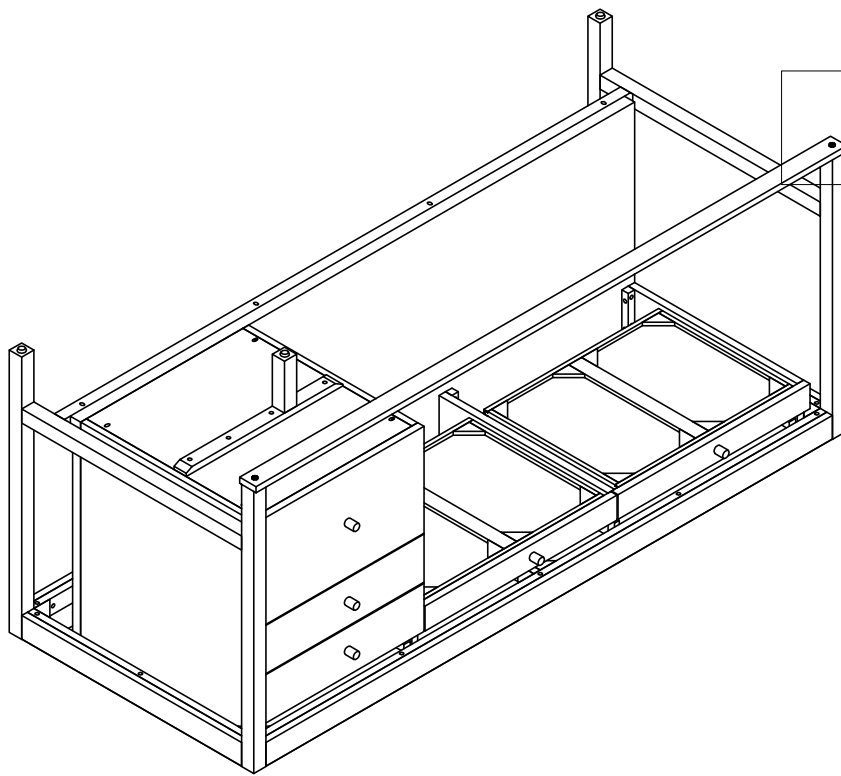


Hardware List

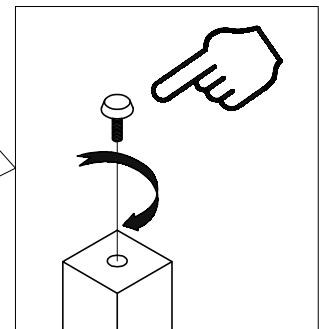
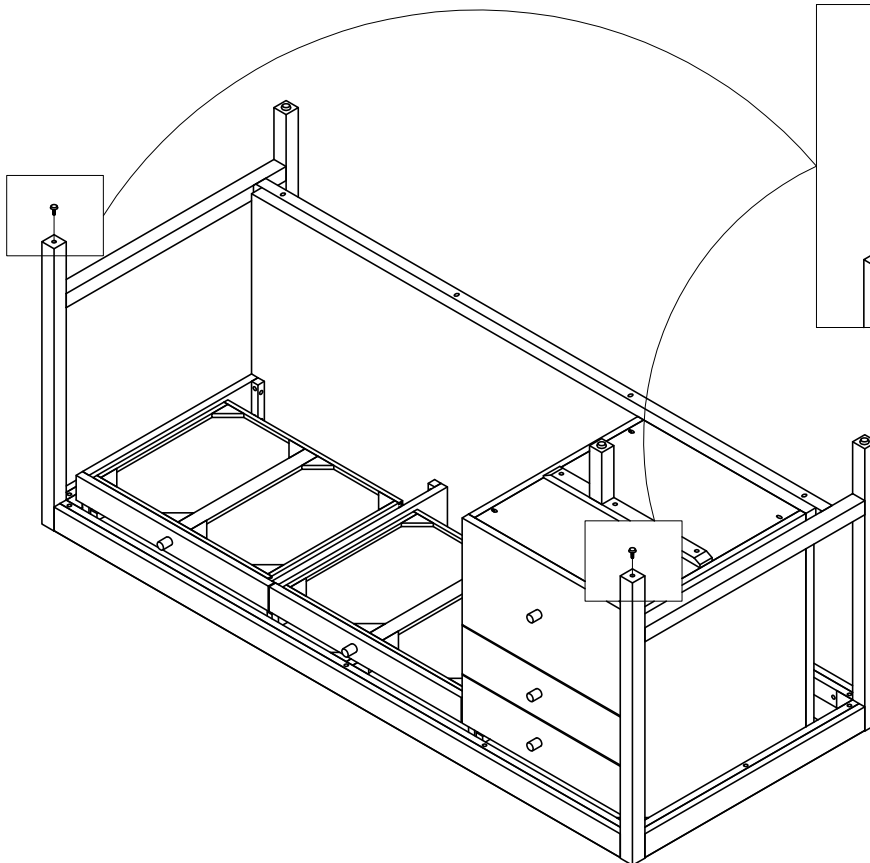
| | | | | |
|----------|---|-----------|--------|---|
| A |  | Leveler | 6x20mm | 2 |
| B |  | Allen Key | 4mm | 1 |



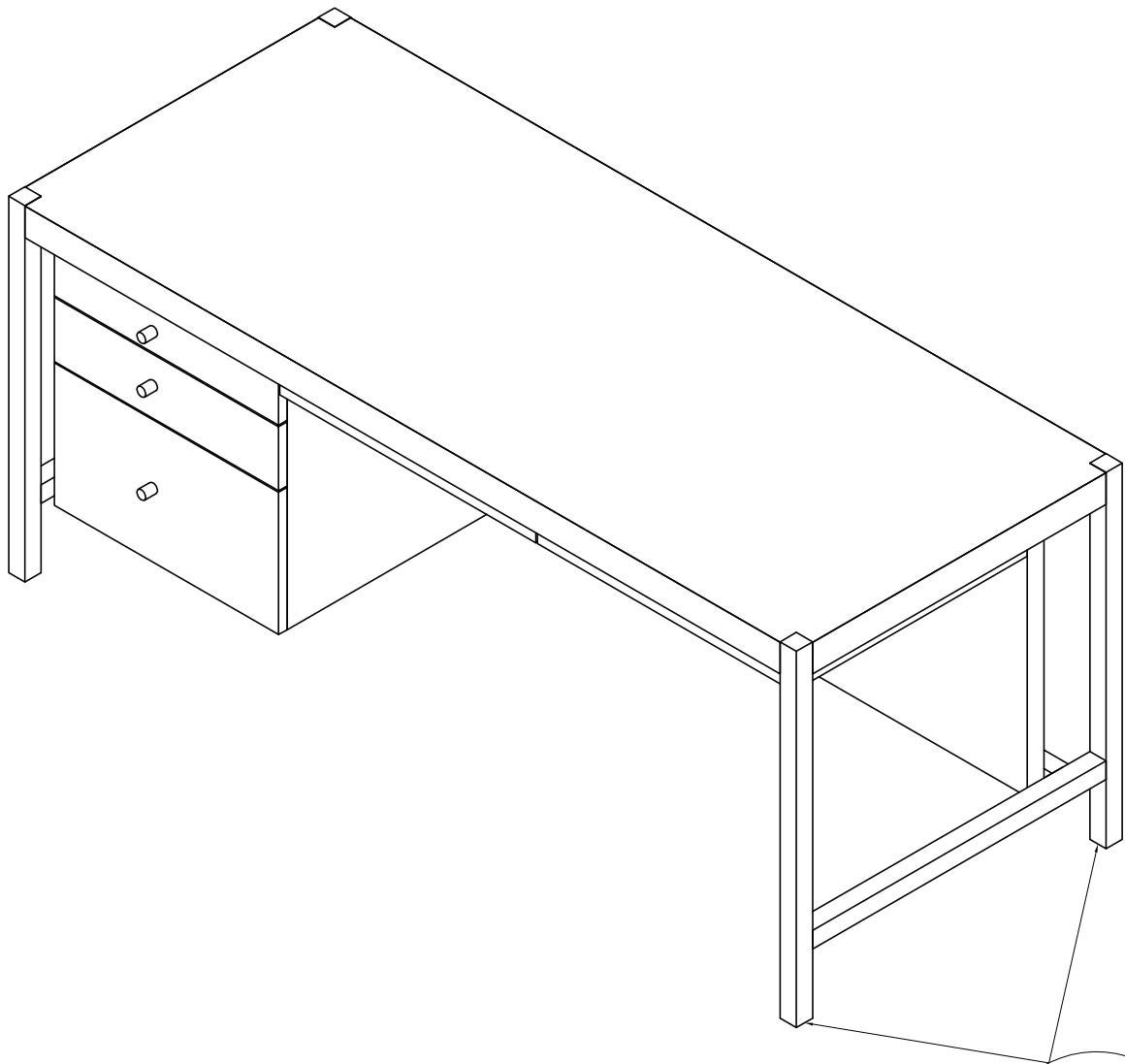
Step 1



Step 2



Step 3



Leveler can be adjusted as necessary for the dresser balance