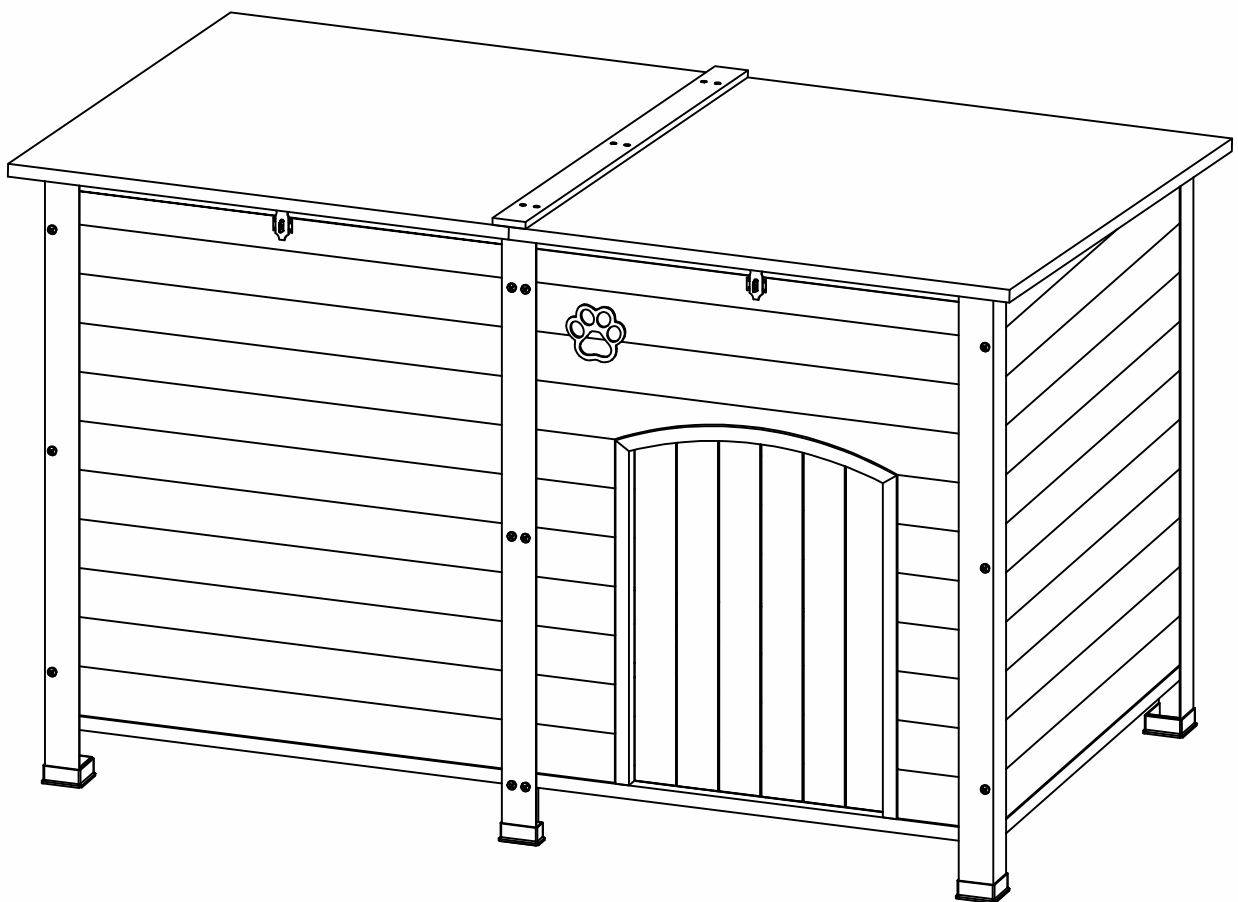


Dog Crate



ASSEMBLY GUIDE

Thank you for shopping from us!

In order to enable you to better install or use this product, please carefully read the precautions and detailed functional operation instructions mentioned in this manual.

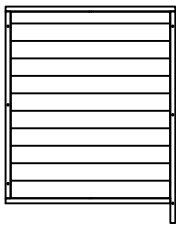
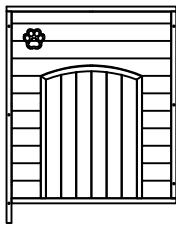
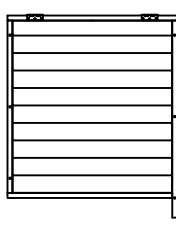
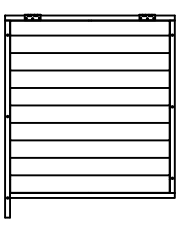
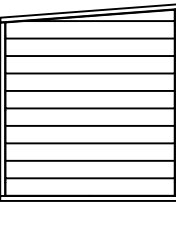
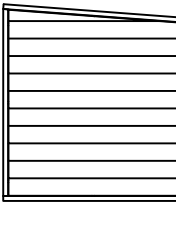
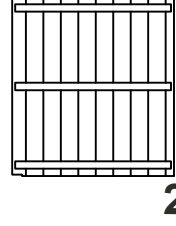
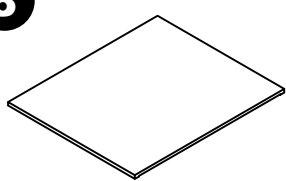






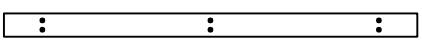
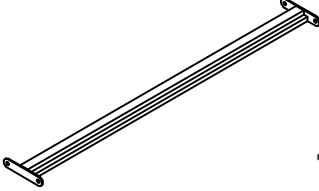
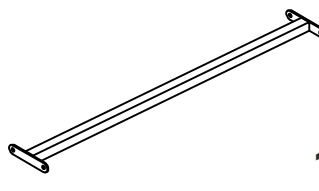


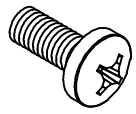
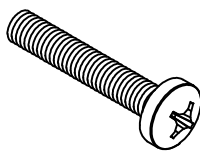
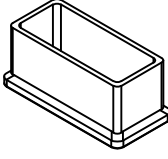
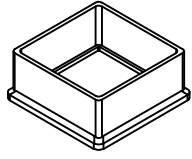
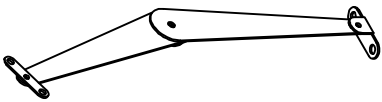
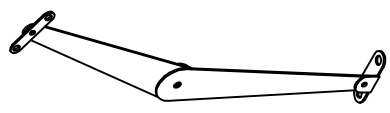
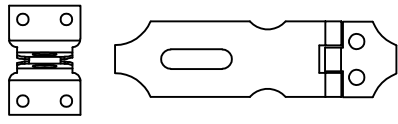
Hope you will have a good experience!

This assembly guide includes the Part List, Installation Steps and Warning Tips.

To reduce your wait, the item may be shipped in one box. Please check your package once you receive it. If you have any questions or issues with your item, please feel free to contact us, we have 24-hour customer service.

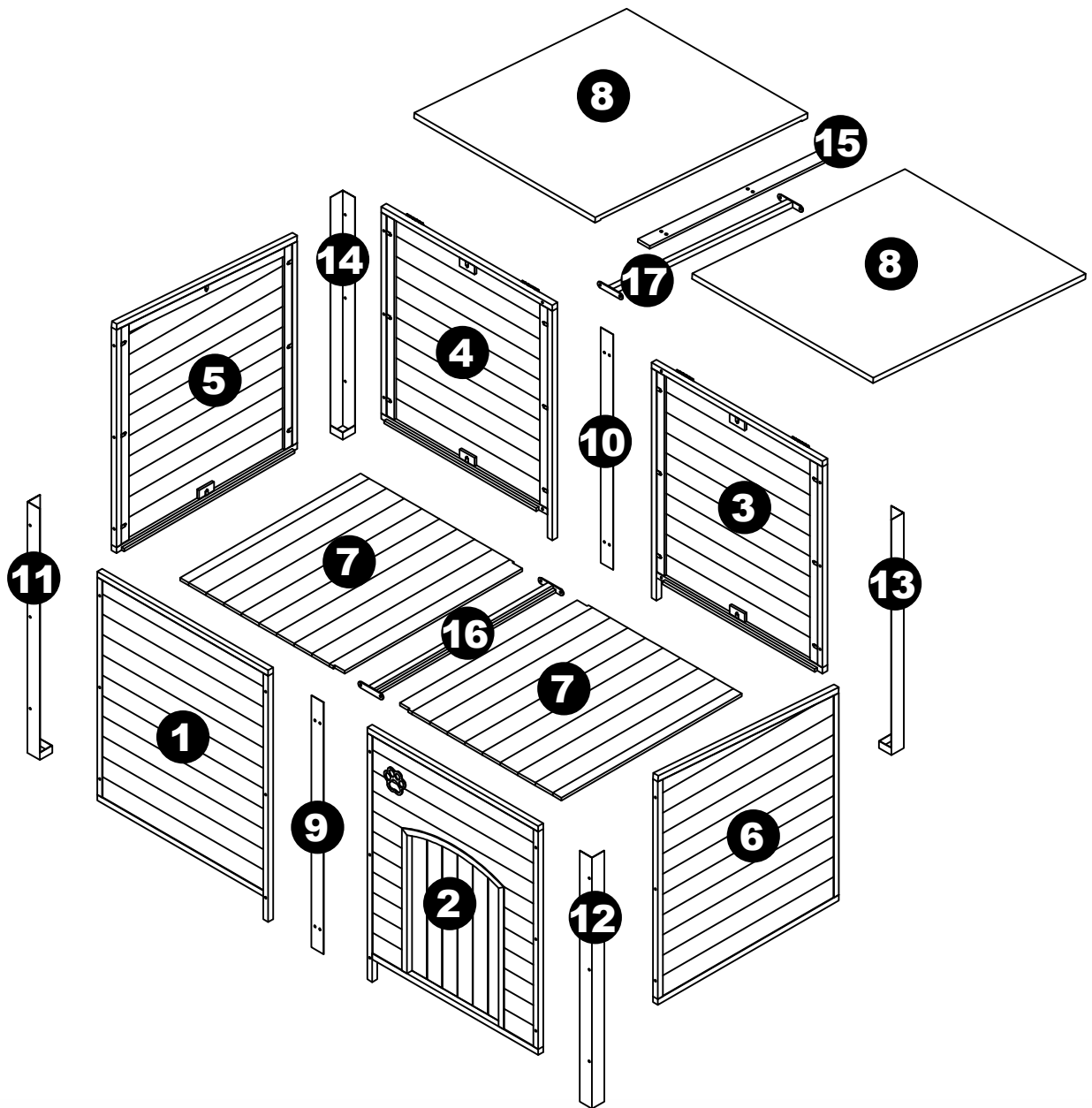
PARTS LIST

Double-checking

1  1pc	2  1pc	3  1pc	4  1pc		
5  1pc	6  1pc	7  2pcs	8  2pcs		
9  1pc	10  1pc	11  1pc	12  1pc	13  1pc	14  1pc
15  1pc	16  1pc	17  1pc			
 M3.0X14 Ax32+2	 M3.5X20 Bx6+1	 M6.0X15 Cx20+1	 M6.0X35 Dx12+1	 2X5CM Ex2	 5X5CM Fx4
 Gx1	 Hx1	 Ix2			

INSTALLATION

Pre-installation Inspection



Checking

Please check for any missing or damaged parts.

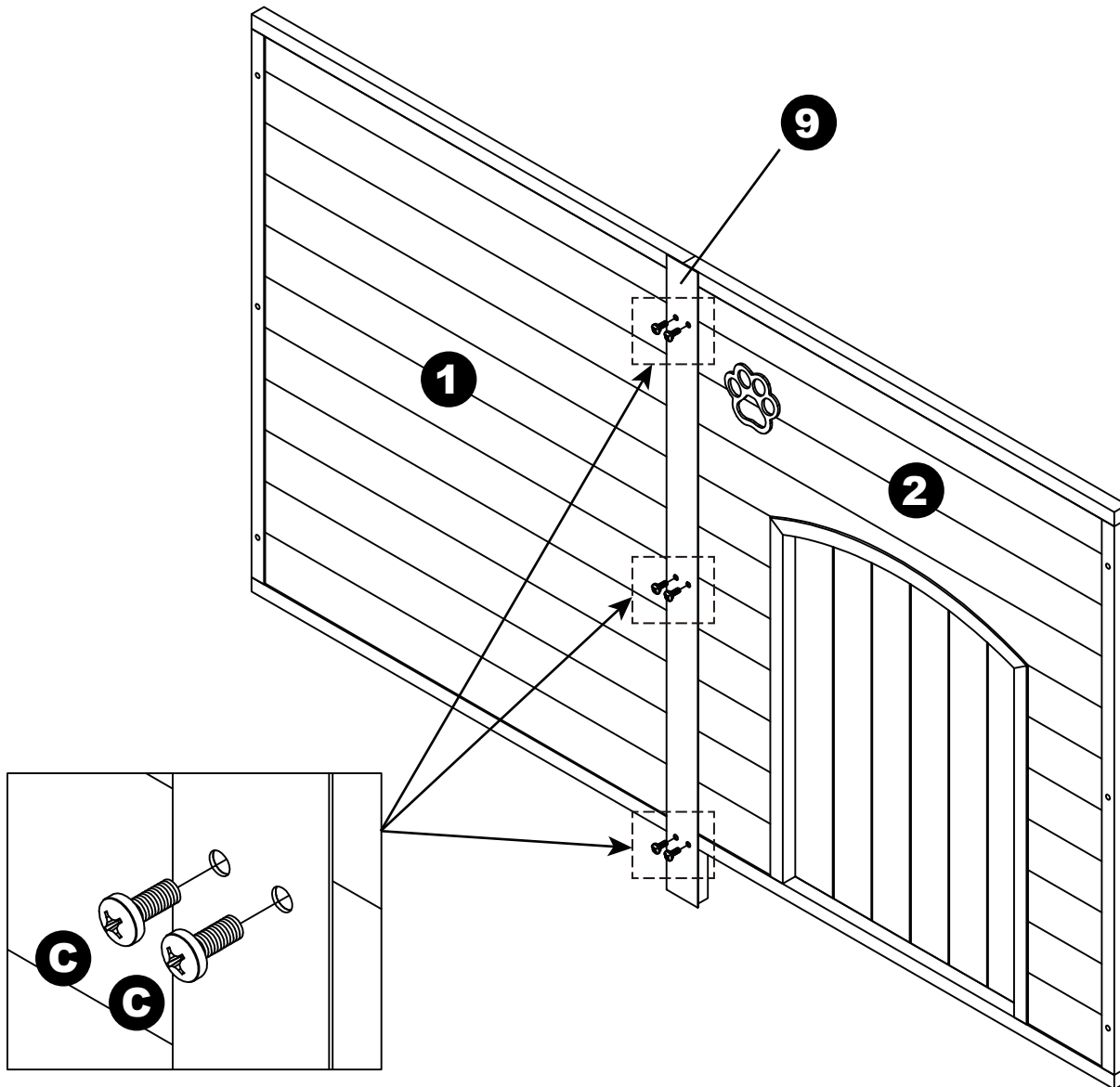
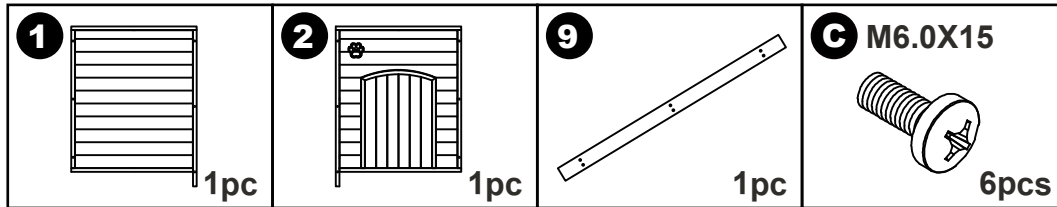
Ensure the parts and quantities in the package match the Part List.

If there are any discrepancies, kindly contact us through the purchase platform.

STEP 1

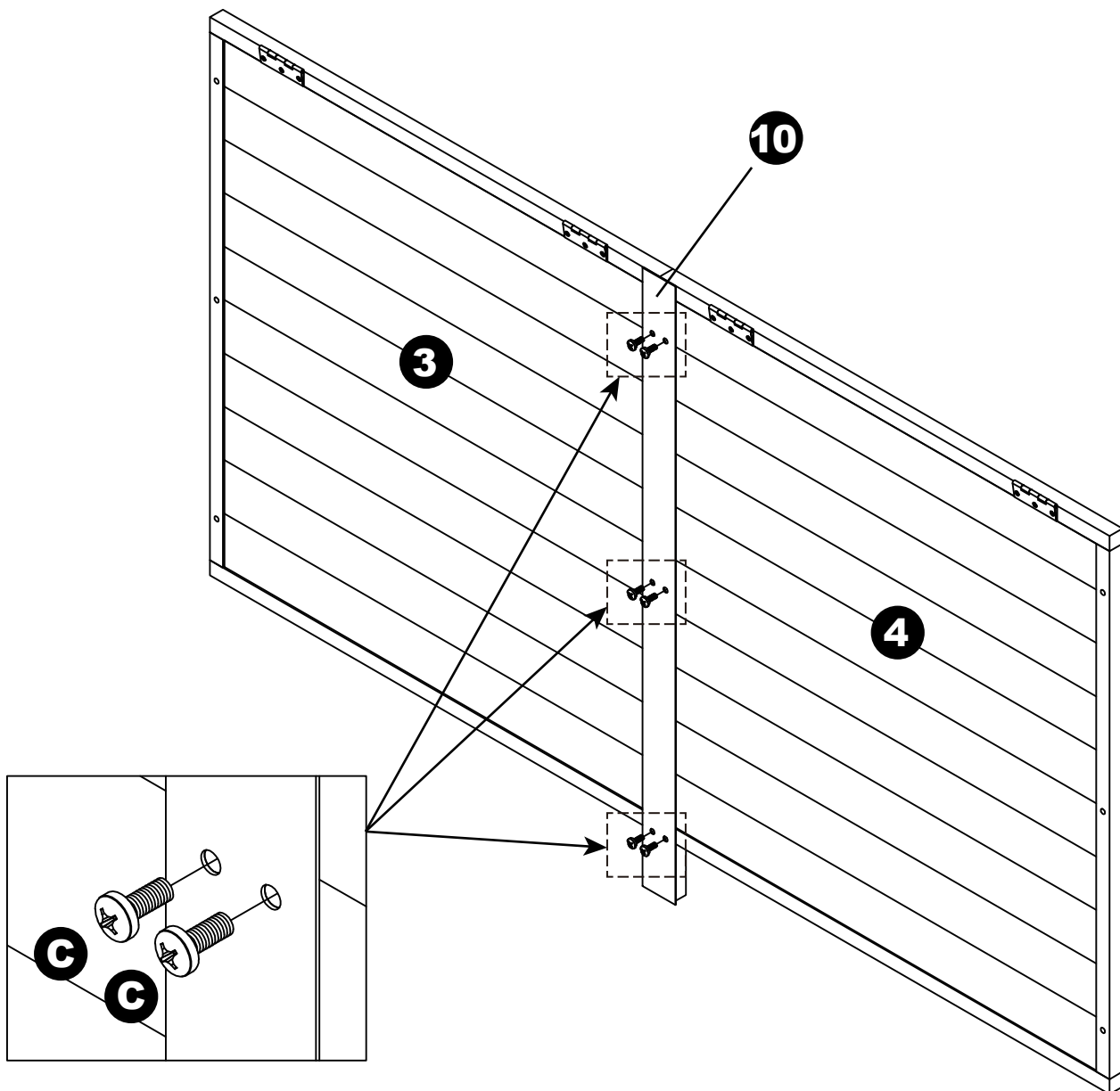
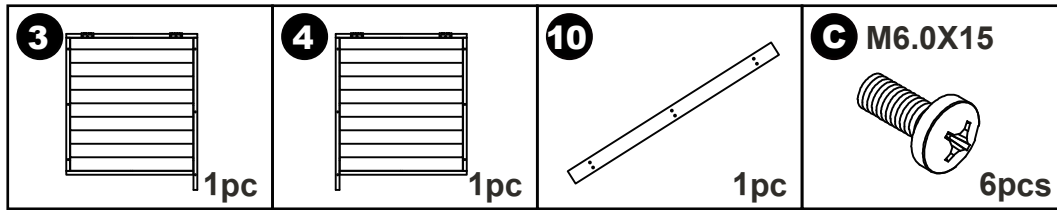
The First Step To Success

Required accessories



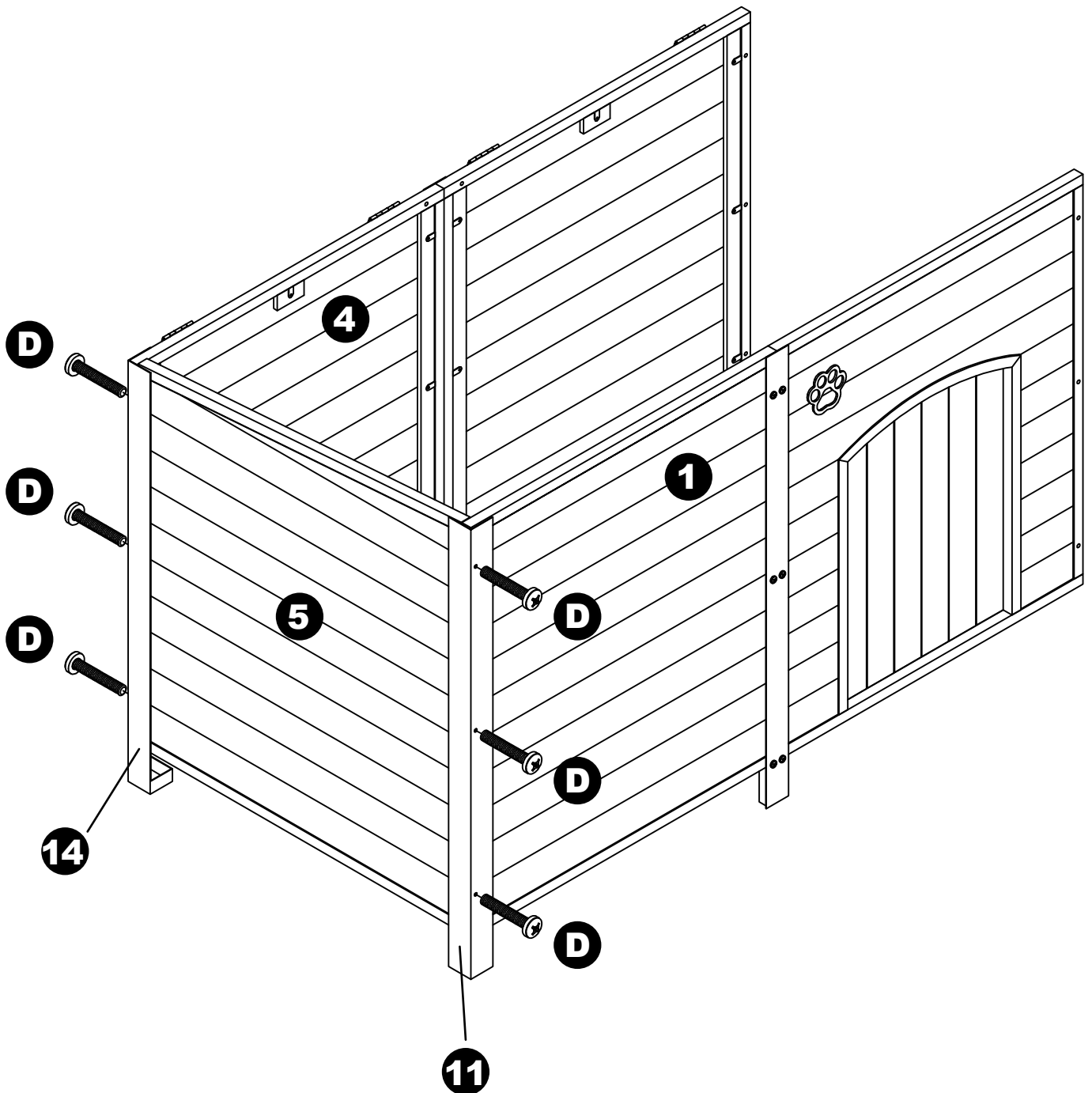
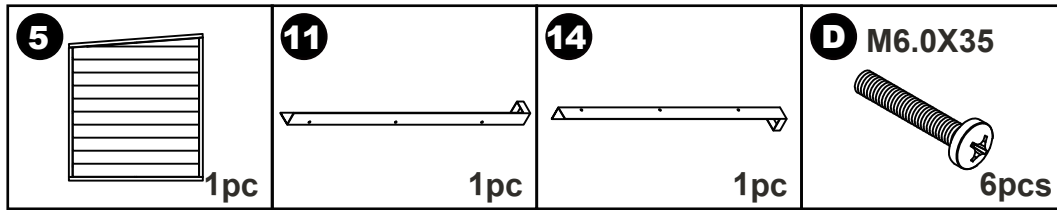
STEP 2

Required accessories



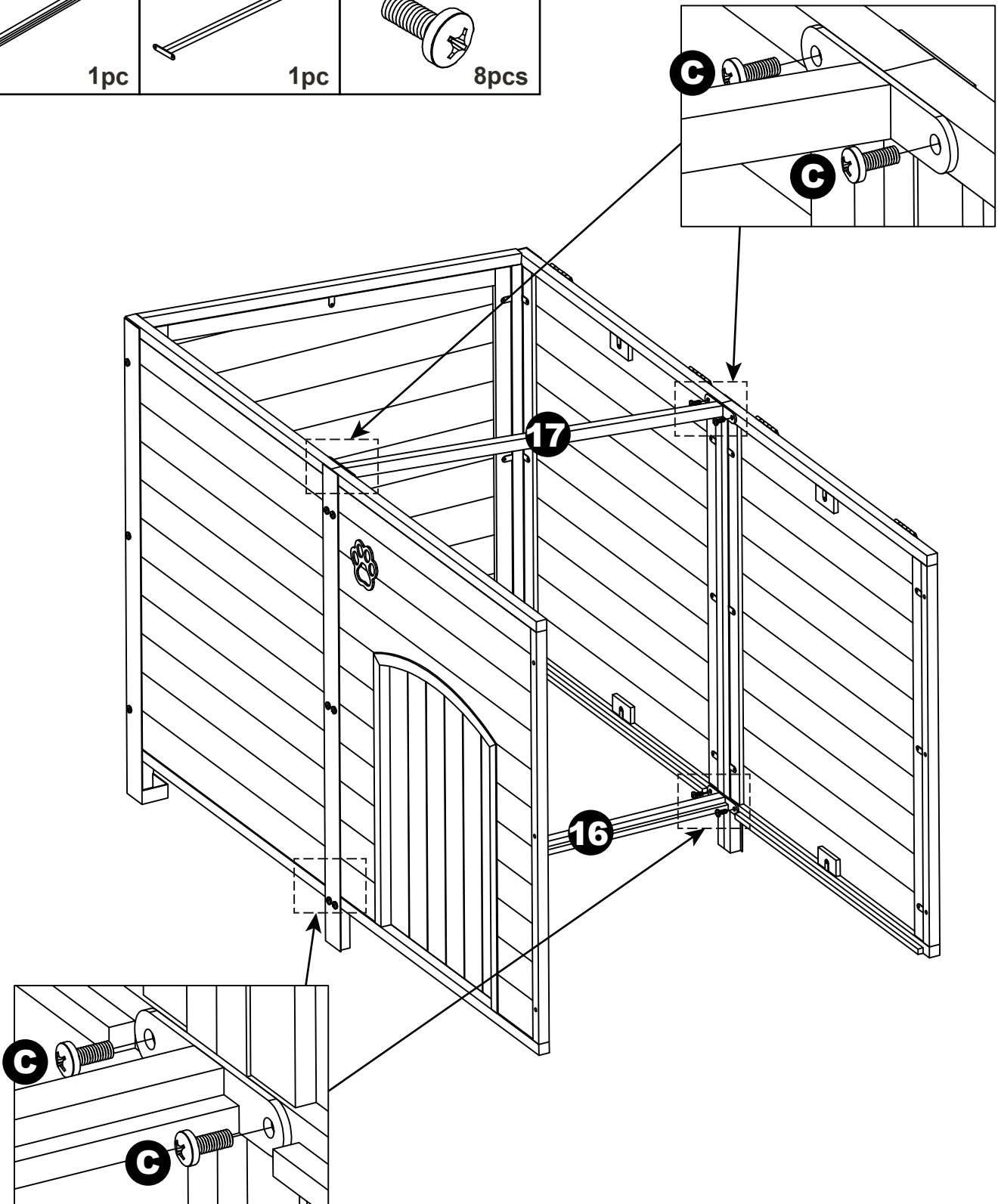
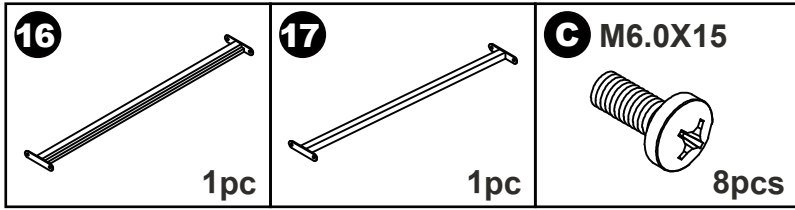
STEP 3

Required accessories



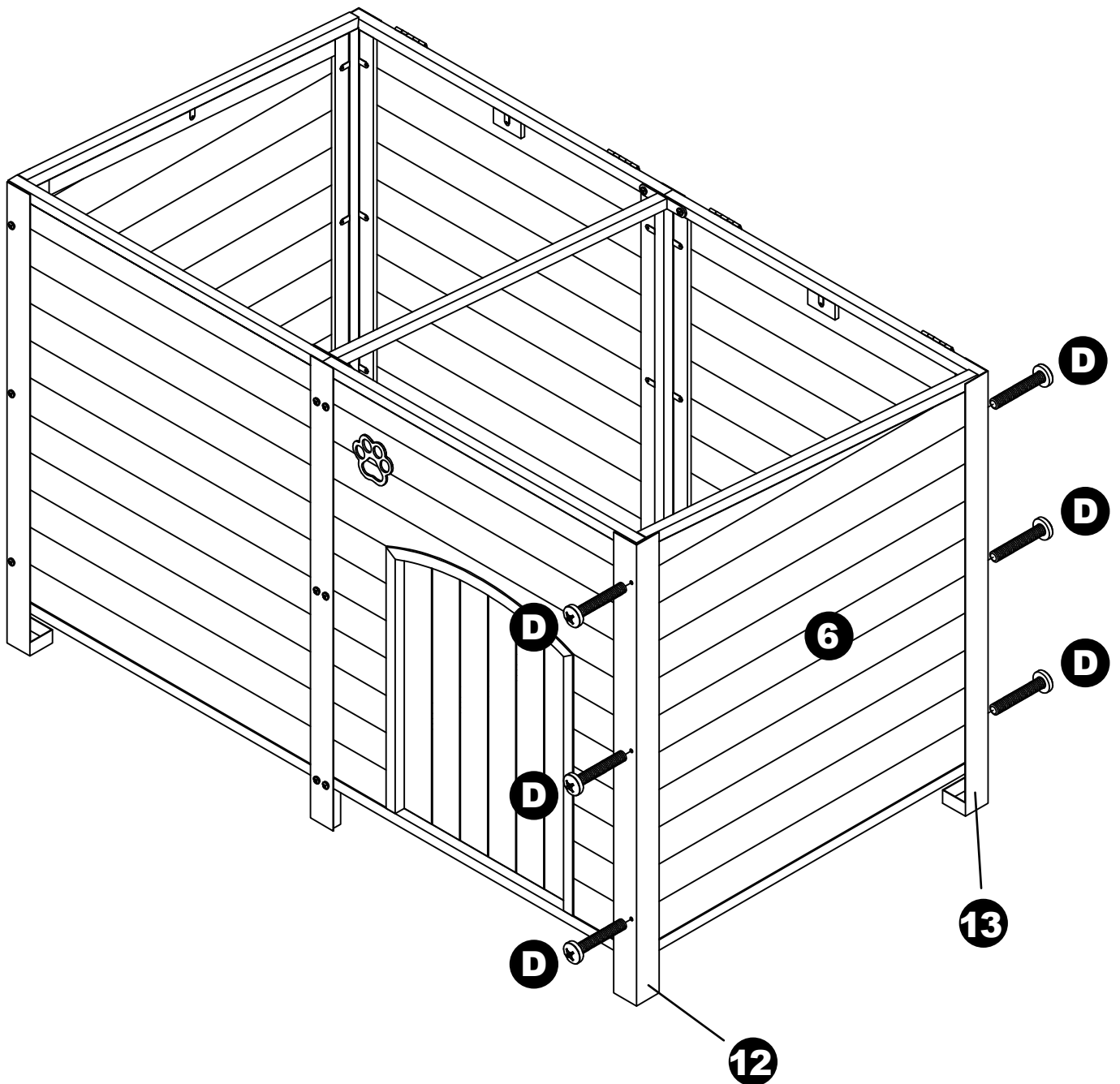
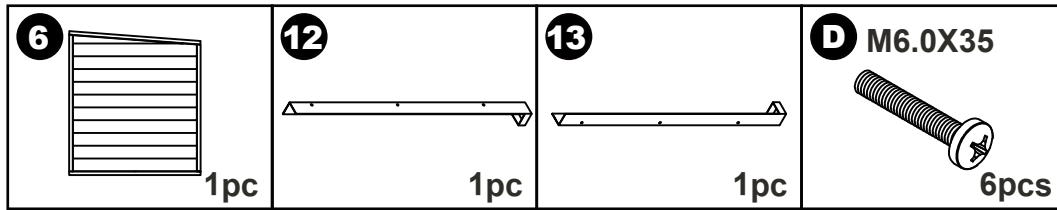
STEP 4

Required accessories



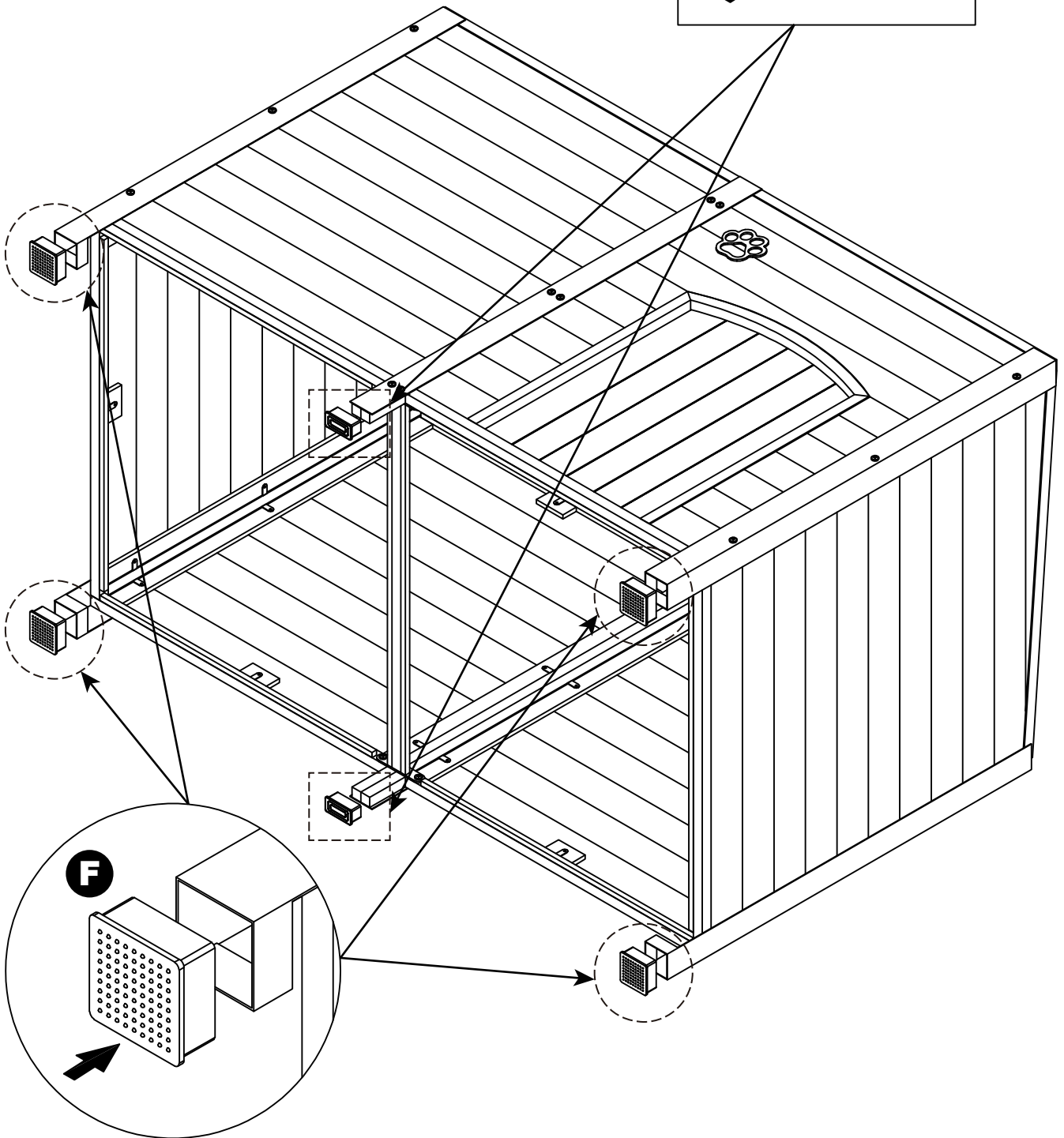
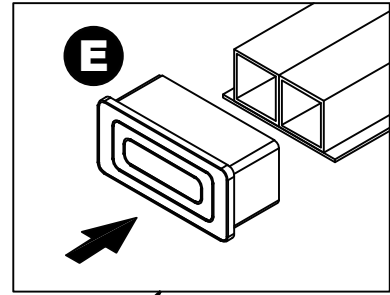
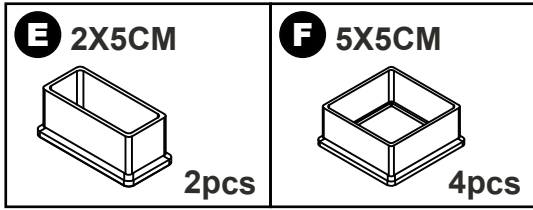
STEP 5

Required accessories



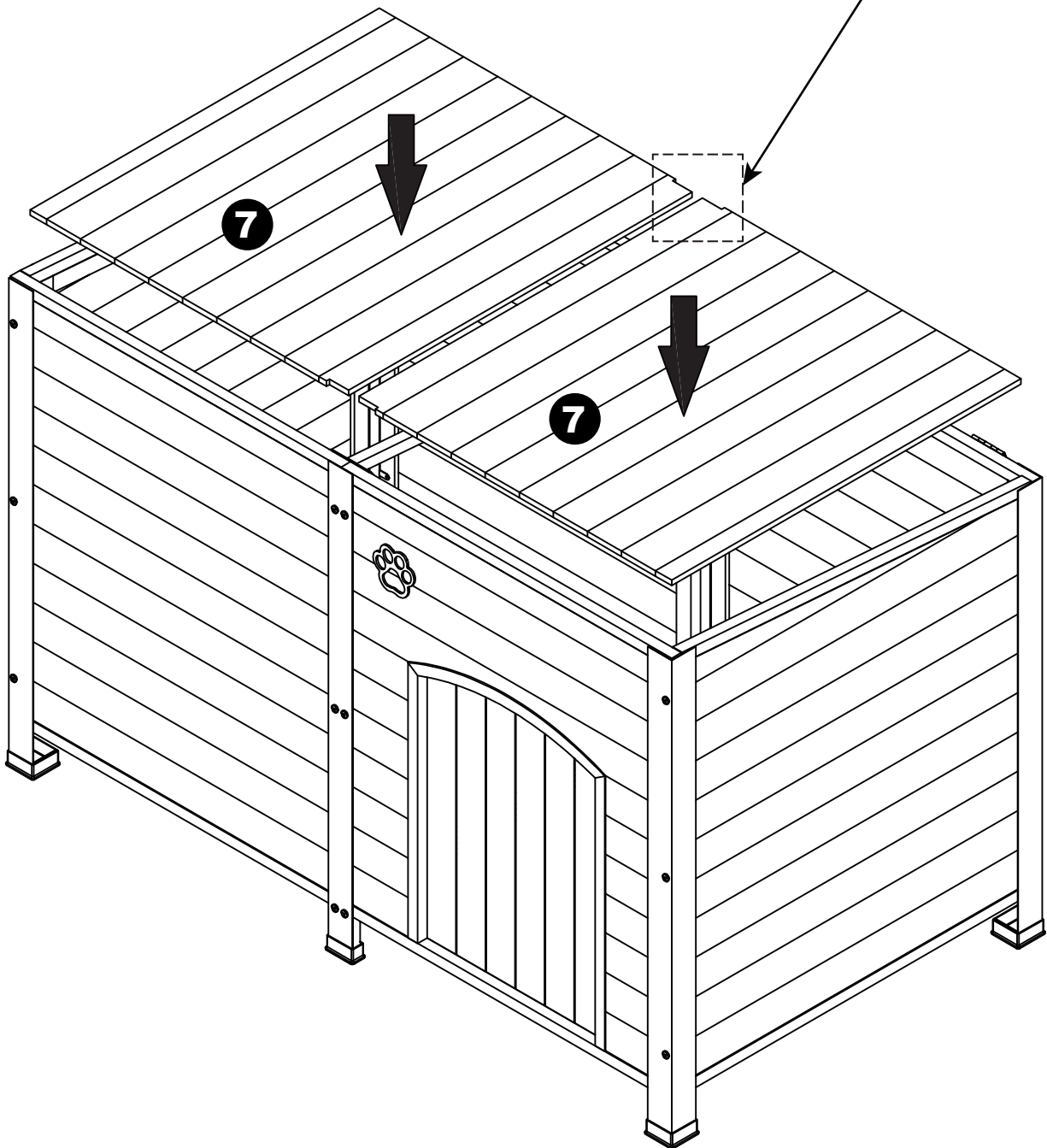
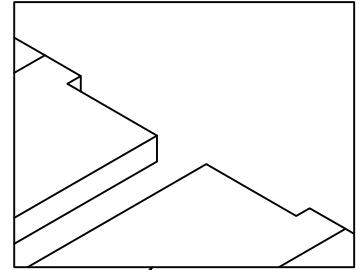
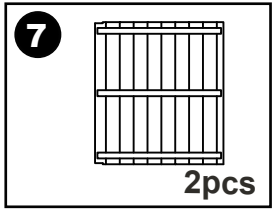
STEP 6

Required accessories



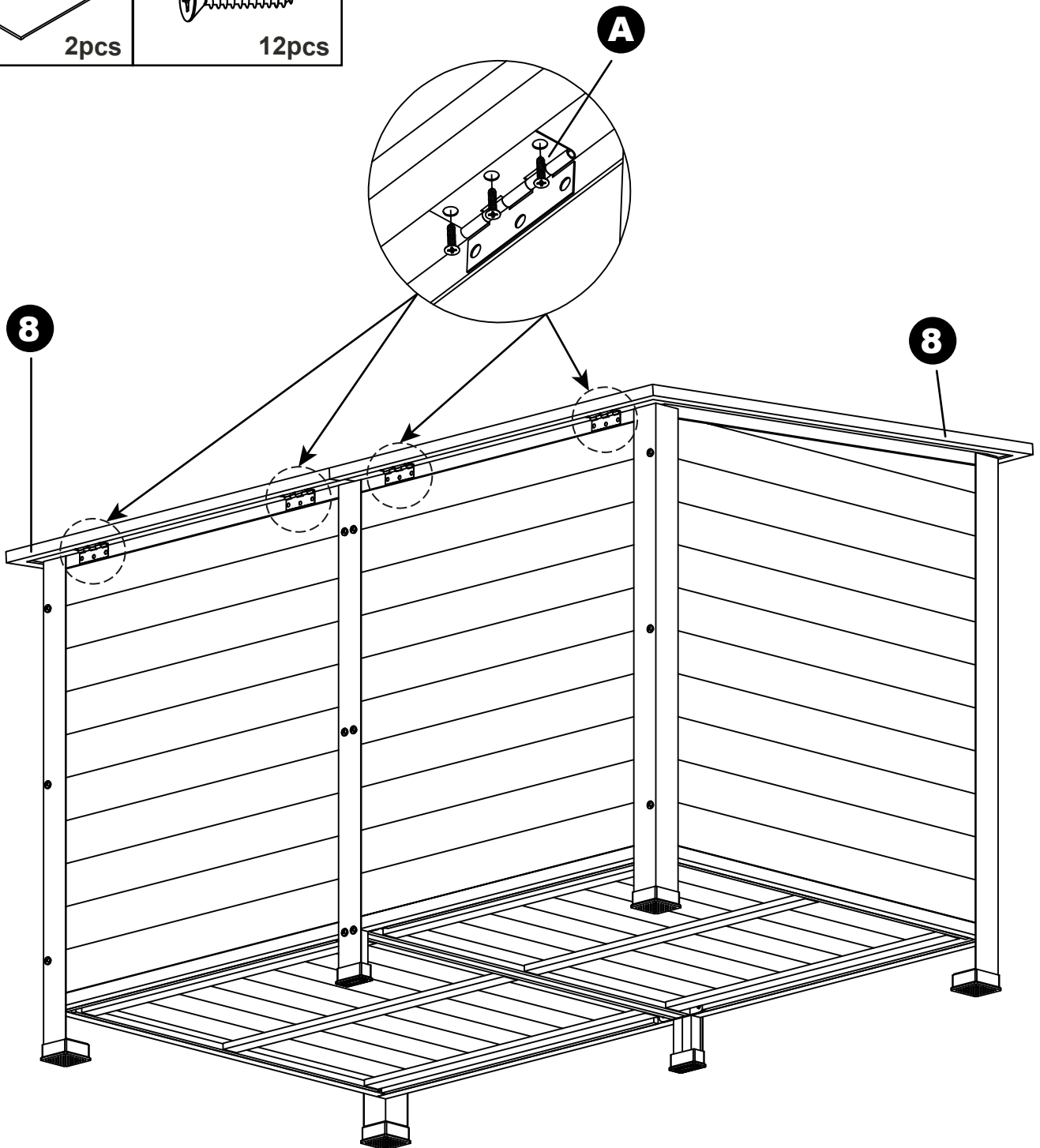
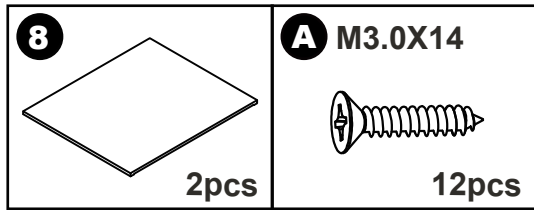
STEP 7

Required accessories



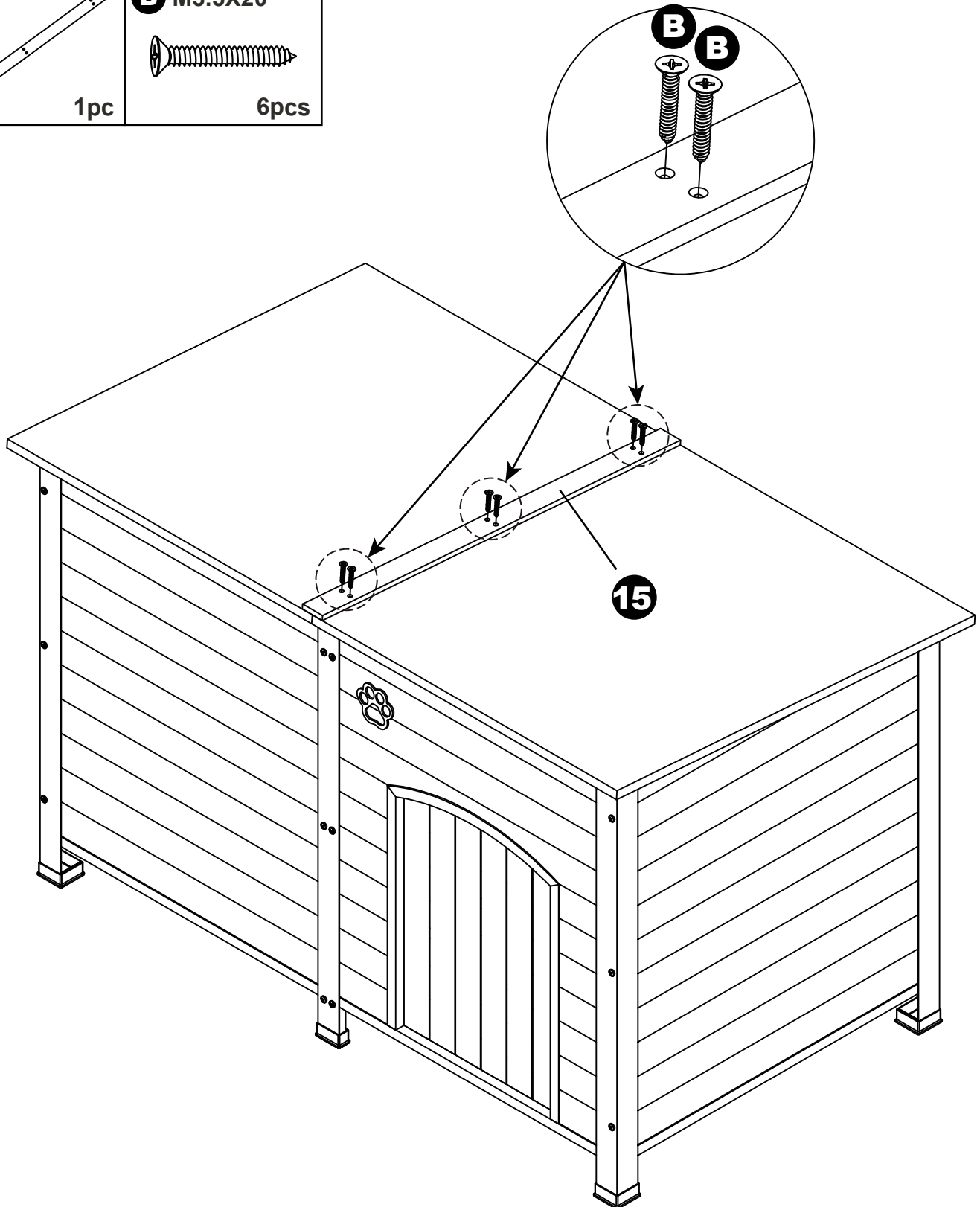
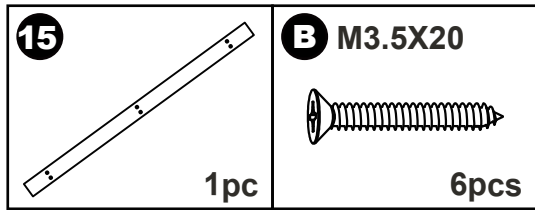
STEP 8

Required accessories



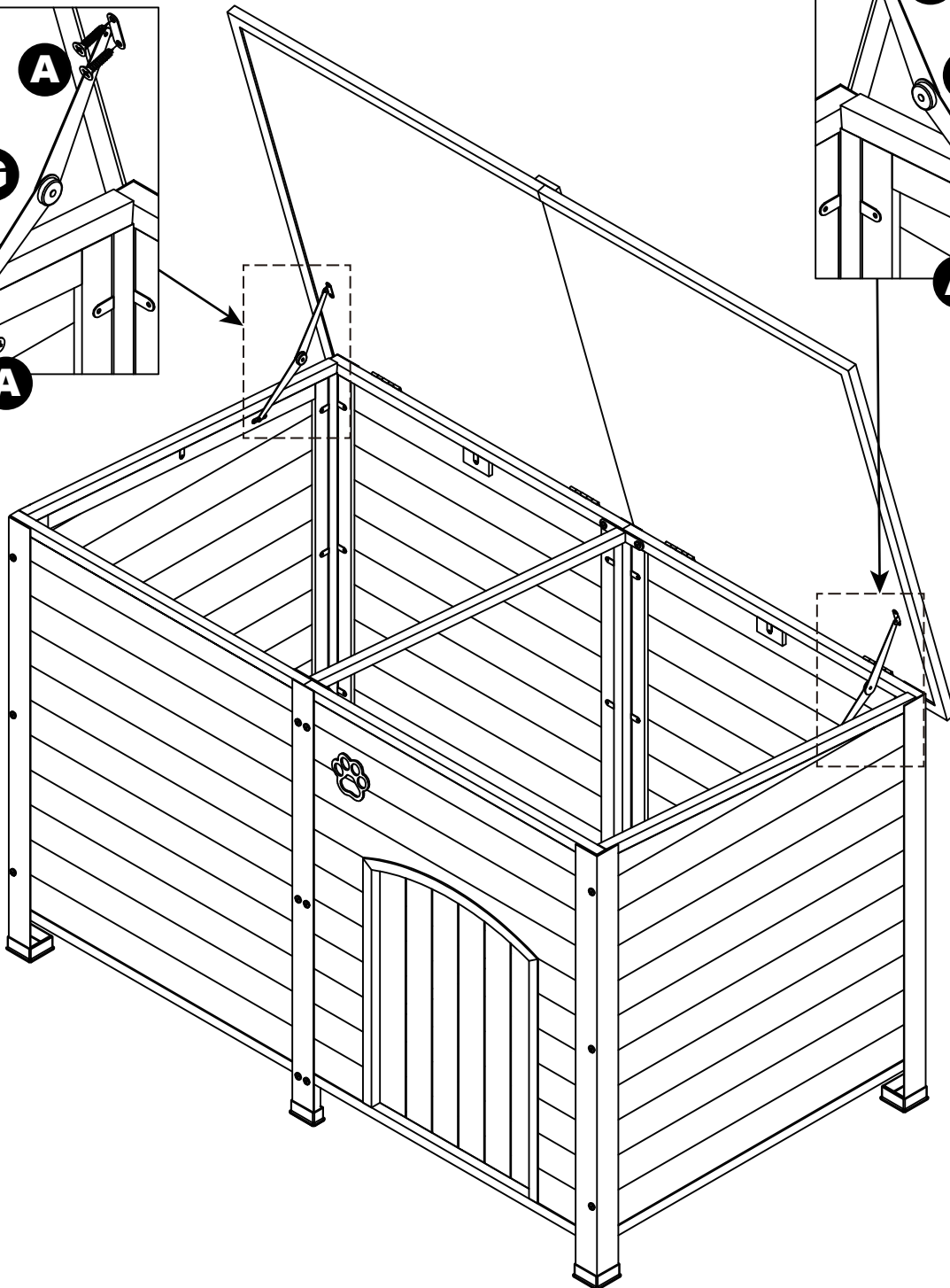
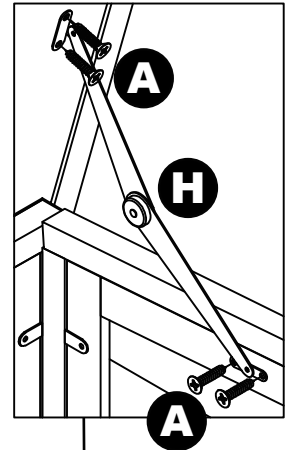
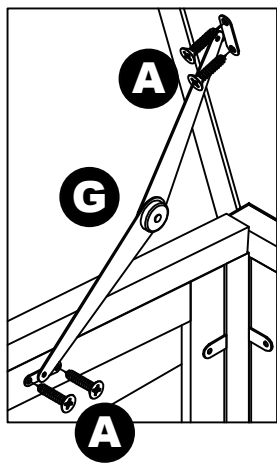
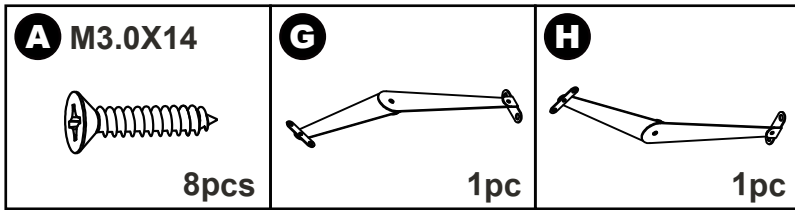
STEP 9

Required accessories



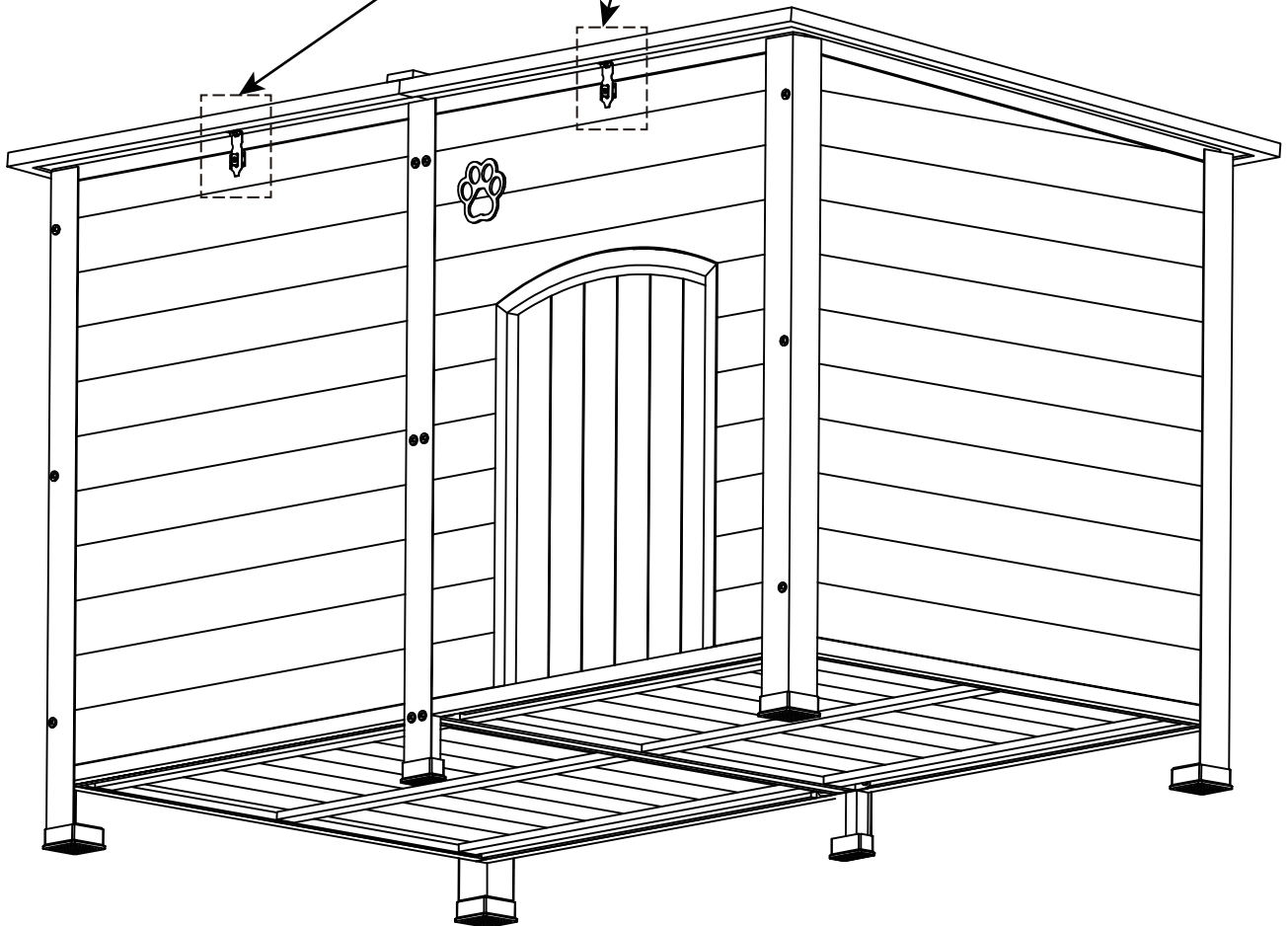
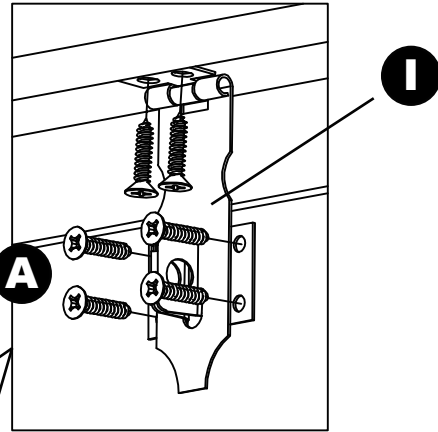
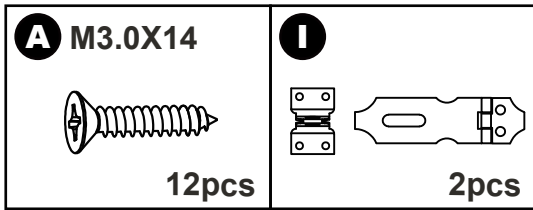
STEP 10

Required accessories



STEP 11

Required accessories



NOTES

Security/ Notice

- Please take protective measures during installation, such as wearing gloves and avoiding wearing valuable clothes.
- Be aware that some parts are heavy and have sharp edges.
- If any parts are missing, broken, damaged, or worn, discontinue use until repairs are made.
- Ensure items are handled and used correctly.

Warranty Guidelines

If you find issues with accessories or quality after receiving the product, please provide feedback in a timely manner. Postage costs for returns will not be charged to the original purchaser. Replacement or repair parts will be covered for the remainder of the original limited warranty period. We provide continuous free technical support, including online diagnosis and solutions for user problems.

To process your claim, please upload a copy of your receipt and at least two photos of the problem or damaged parts. Otherwise, the supplier reserves the right to refuse replacement parts or credit.

For any questions during installation and use, please consult us.

NOTES

Return Policy

Items should be returned in their original, unused condition and original packaging. Refunds usually require us to receive and inspect your return order. Partial refunds may be issued in the following circumstances:

1. The return situation is different from the reported situation.
2. Used parts or lost parts of returned items.
3. Buyer regret returns, such as no longer needing the item, wrong color/size purchased, didn't fit, or didn't like it.

The return policy may not apply in all cases depending on the product, where it was purchased, or who you purchased it from. If you have any questions, please email the purchasing platform.