
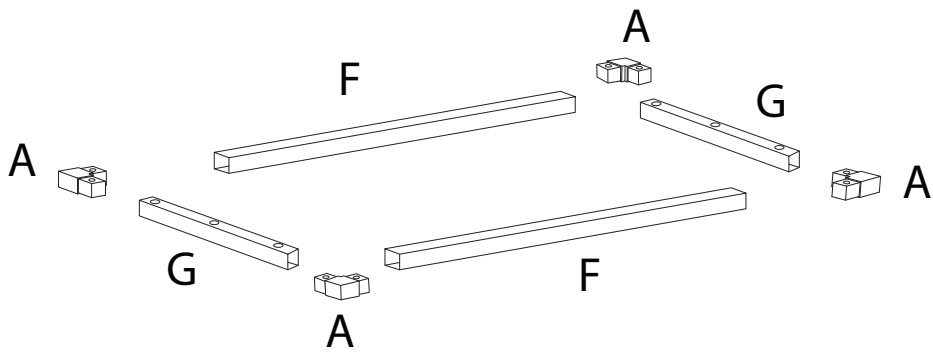
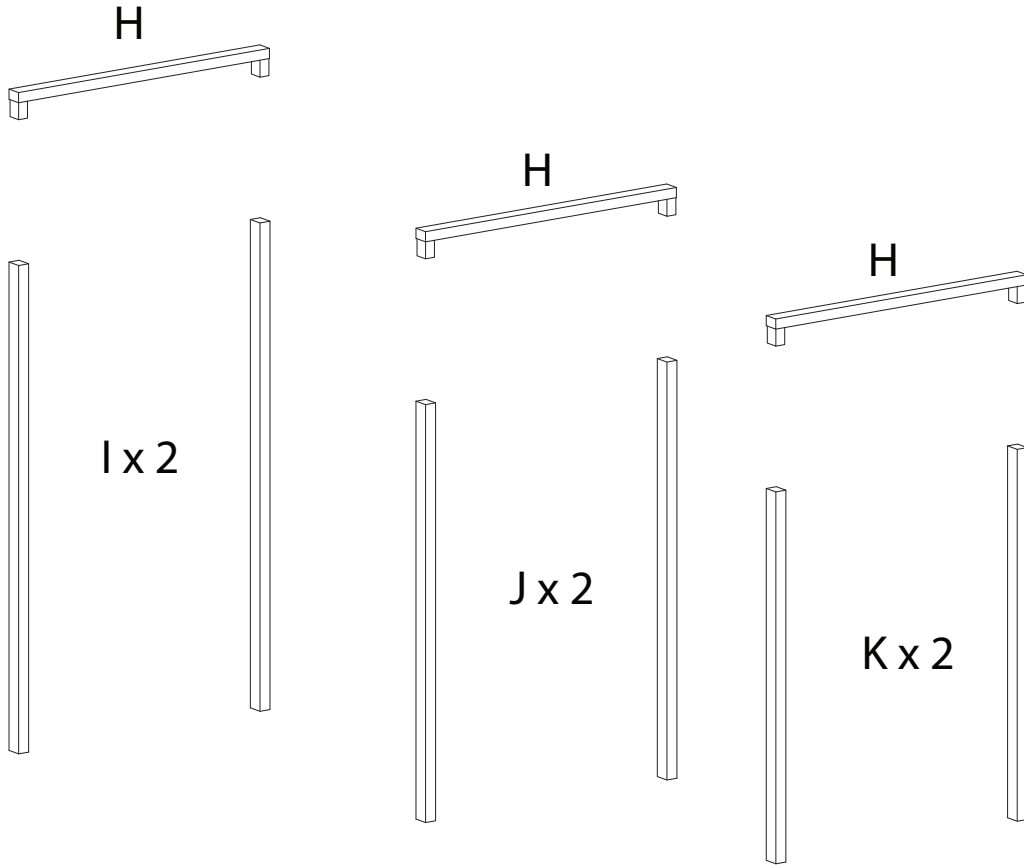
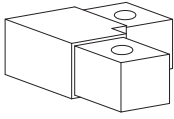
	<p>15'</p>
		
		<p>1</p>

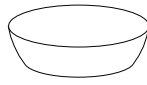


A



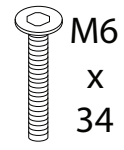
x 4

B



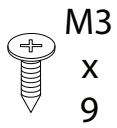
x 4

C



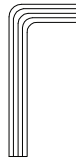
x 6

D



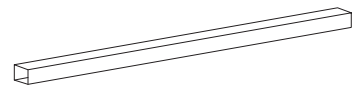
x 6

E



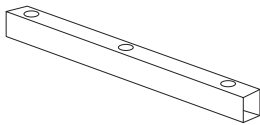
x 1

F



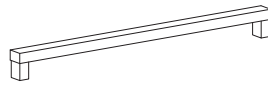
x 2

G



x 2

H



x 3

I



x 2

J



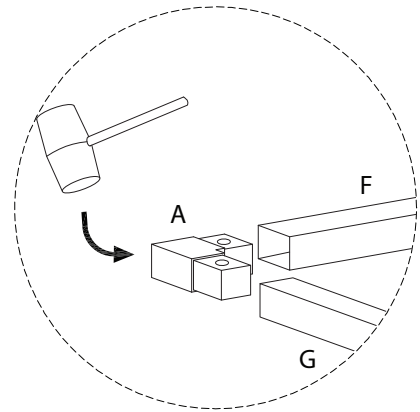
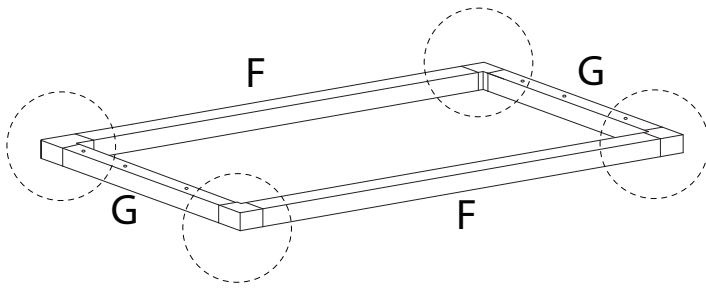
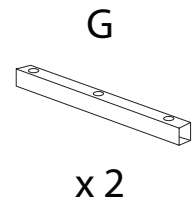
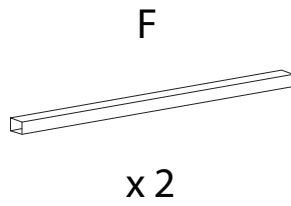
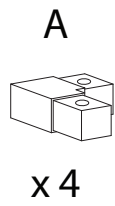
x 2

K

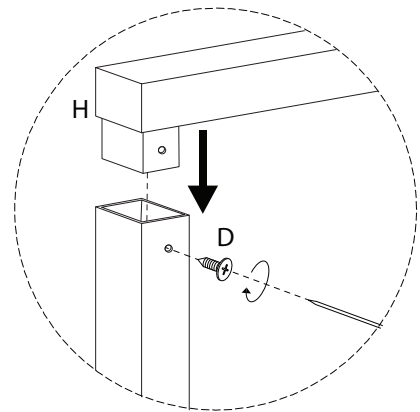
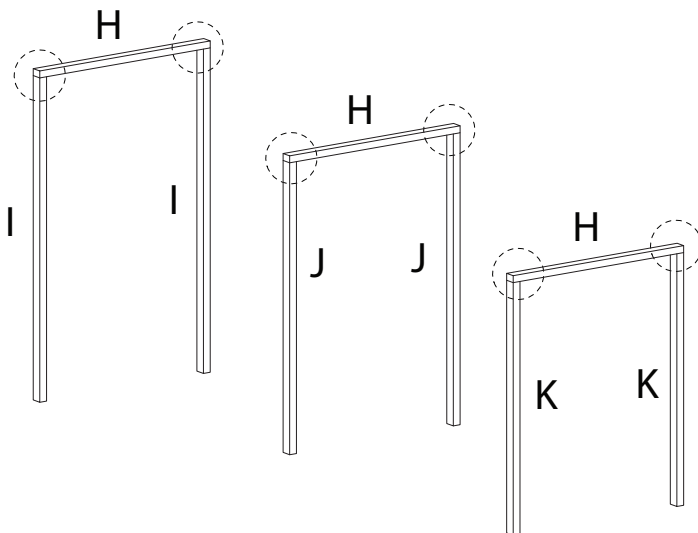
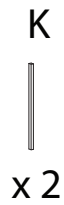
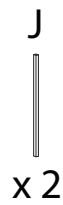
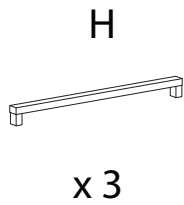
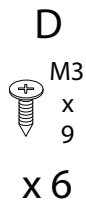


x 2

1



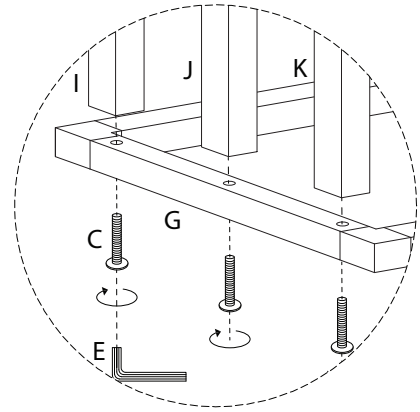
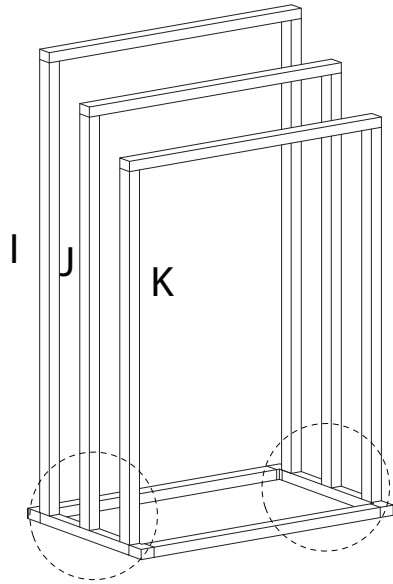
2



3

C
M6
x
34
x 6

E
x 1



4

B



x 4

