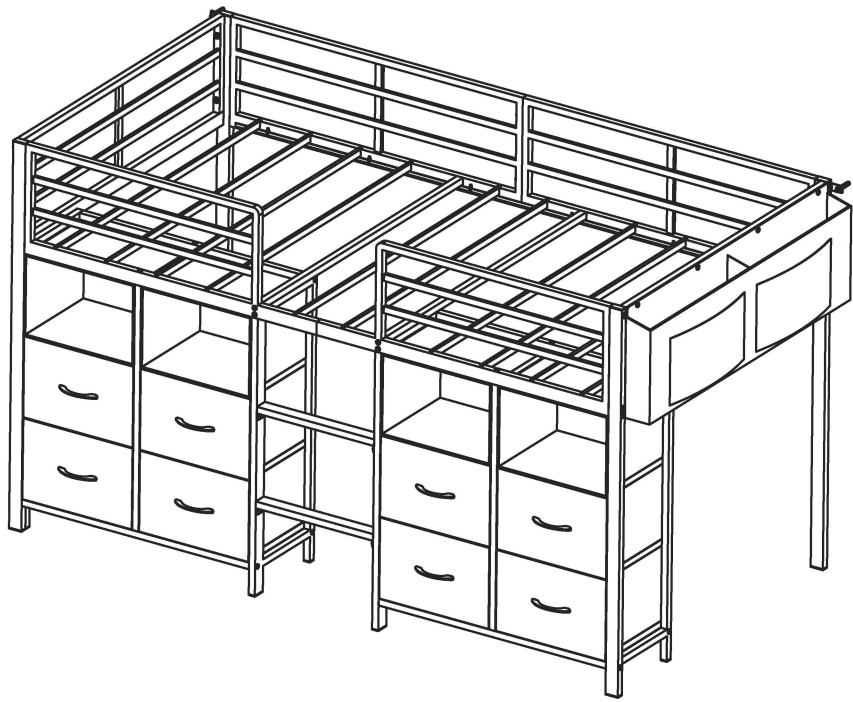
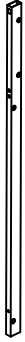



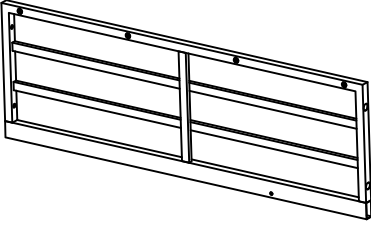
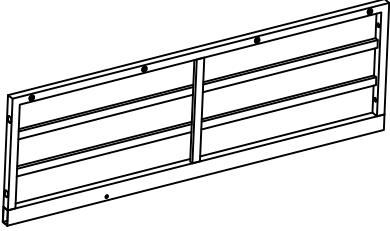
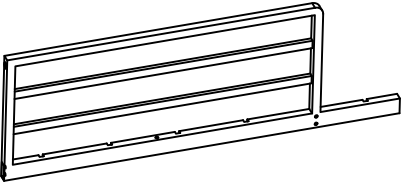
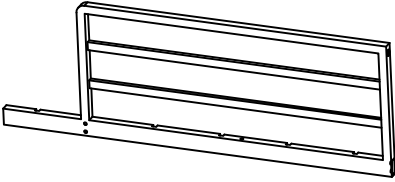
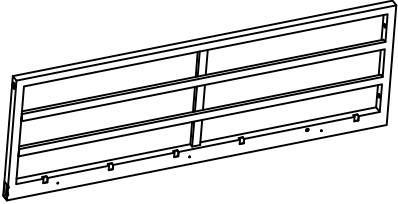
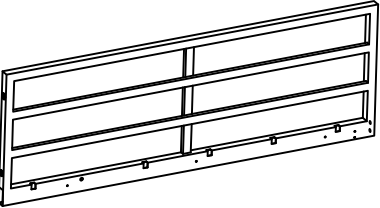







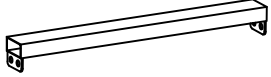
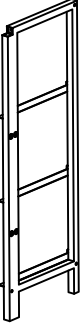
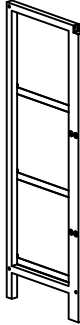
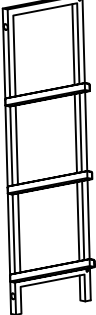
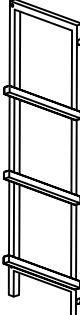
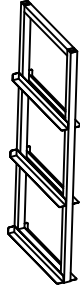
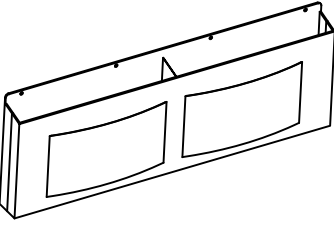
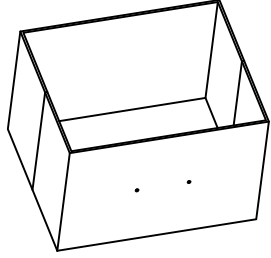

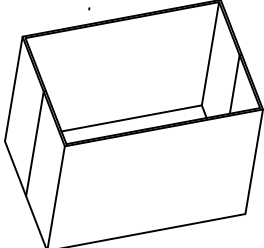
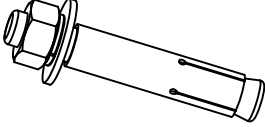

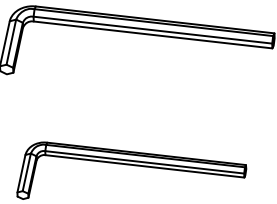
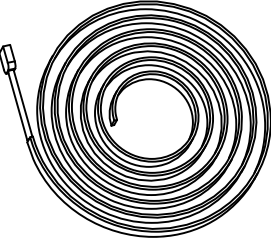
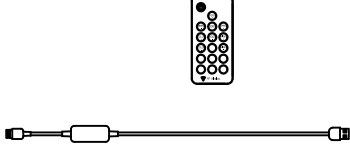
# Owner Manual

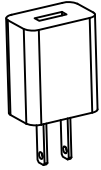



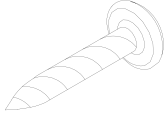

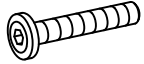
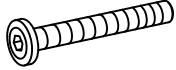

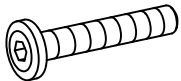
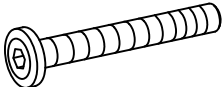
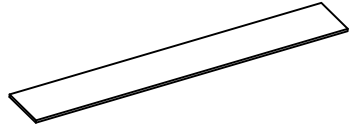
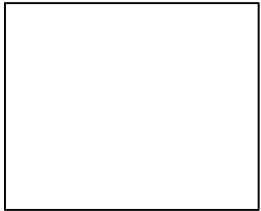
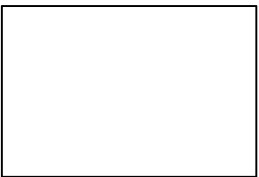


# Parts List:

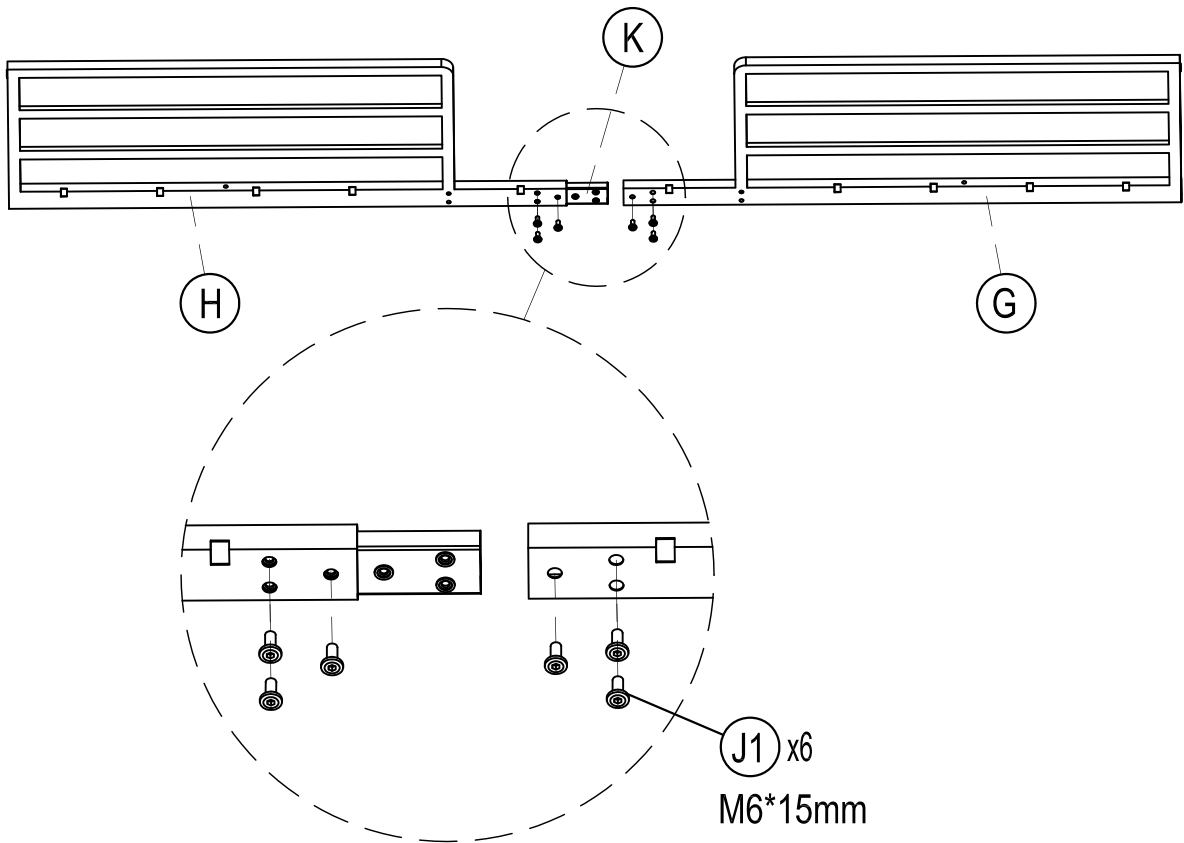
A  1pcs	B  1pcs	C  1pcs
D  1pcs	E  1pcs	F  1pcs
G  1pcs	H  1pcs	I  1pcs
J  1pcs	K  1pcs	L  2pcs
M  10pcs	N  2pcs	O  6pcs

# Parts List:

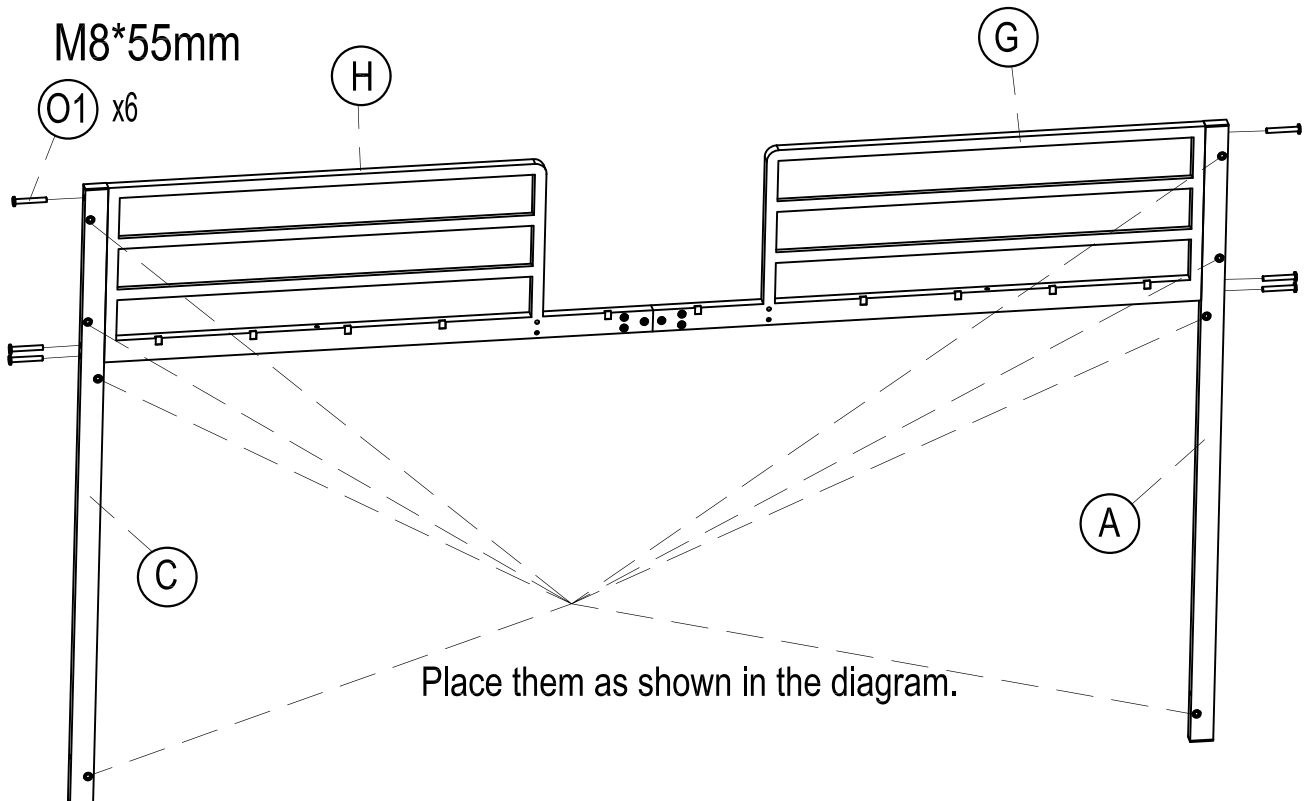
<p>P 2pcs</p> 	<p>Q 1pcs</p> 	<p>R 1pcs</p> 
<p>S 1pcs</p> 	<p>T 1pcs</p> 	<p>U 2pcs</p> 
<p>V 1pcs</p> 	<p>W 8pcs</p> 	<p>X 8pcs</p> 
<p>Y 4pcs</p> 	<p>Z 2pcs</p>  <p>M8x60mm</p>	<p>A1 1pcs</p> 
<p>B1 1pcs</p> 	<p>C1 1pcs</p> 	<p>D1 1pcs</p> 

<p>E1 1pcs</p> 	<p>F1 1pcs</p> 	<p>G1 6pcs</p> 
<p>H1 8pcs</p>  <p>M3*10mm</p>	<p>I1 16pcs</p>  <p>M4*12mm</p>	<p>J1 10pcs</p>  <p>M6*15mm</p>
<p>K1 20pcs</p>  <p>M6*35mm</p>	<p>L1 6pcs</p>  <p>M6*55mm</p>	<p>M1 8pcs</p>  <p>M8*15mm</p>
<p>N1 14pcs</p>  <p>M8*35mm</p>	<p>O1 12pcs</p>  <p>M8*55mm</p>	<p>P1 2pcs</p> 
<p>Q1 8pcs</p> 	<p>R1 4pcs</p> 	

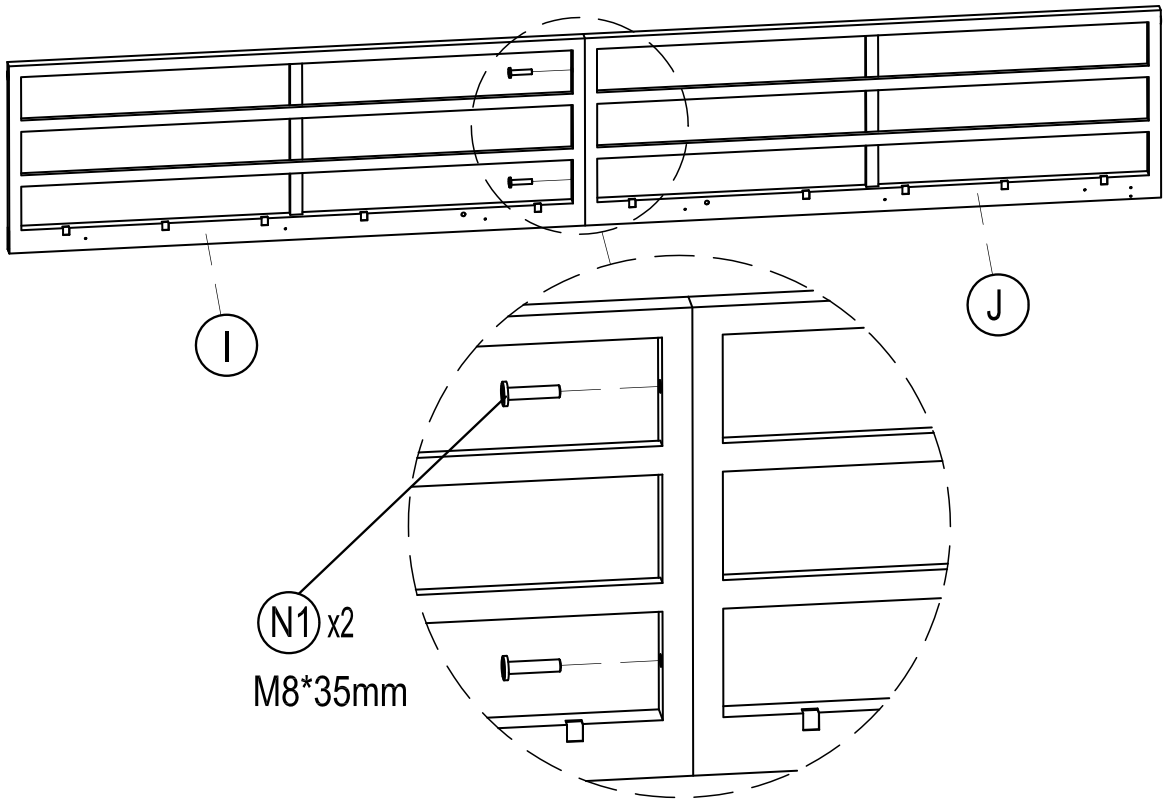
# ASSEMBLY STEP 1



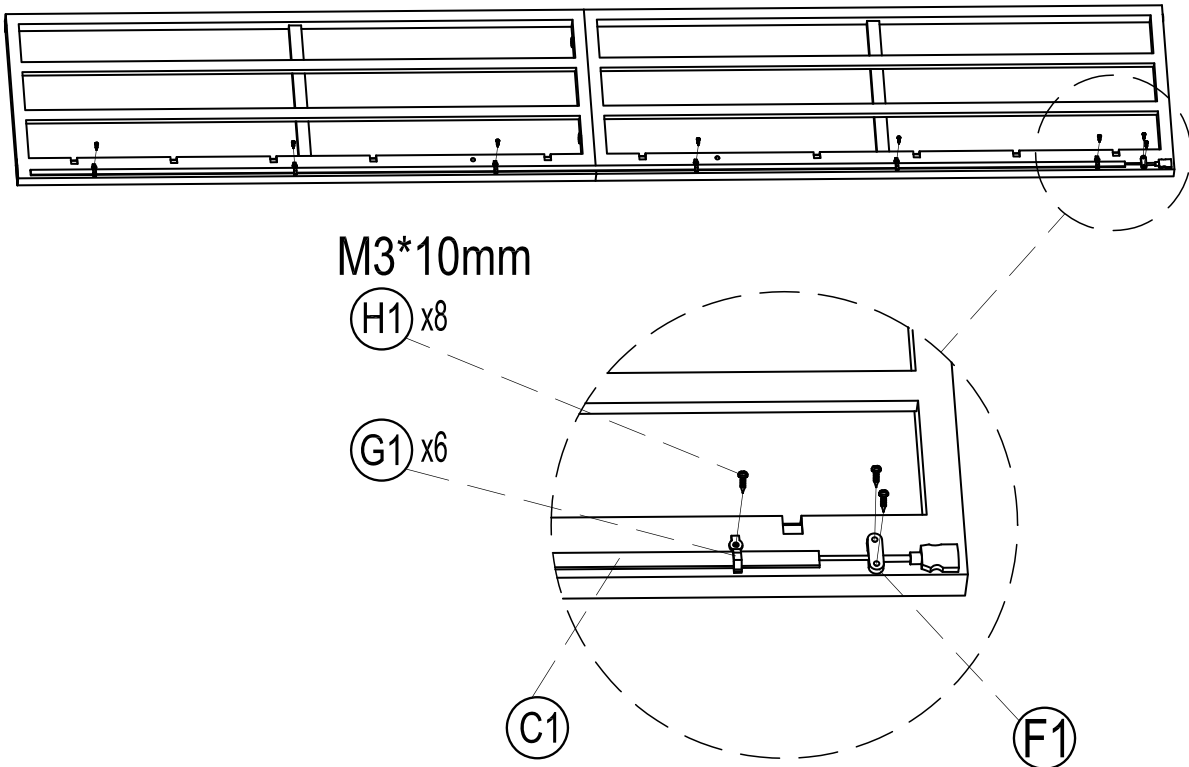
# STEP 2



### STEP 3

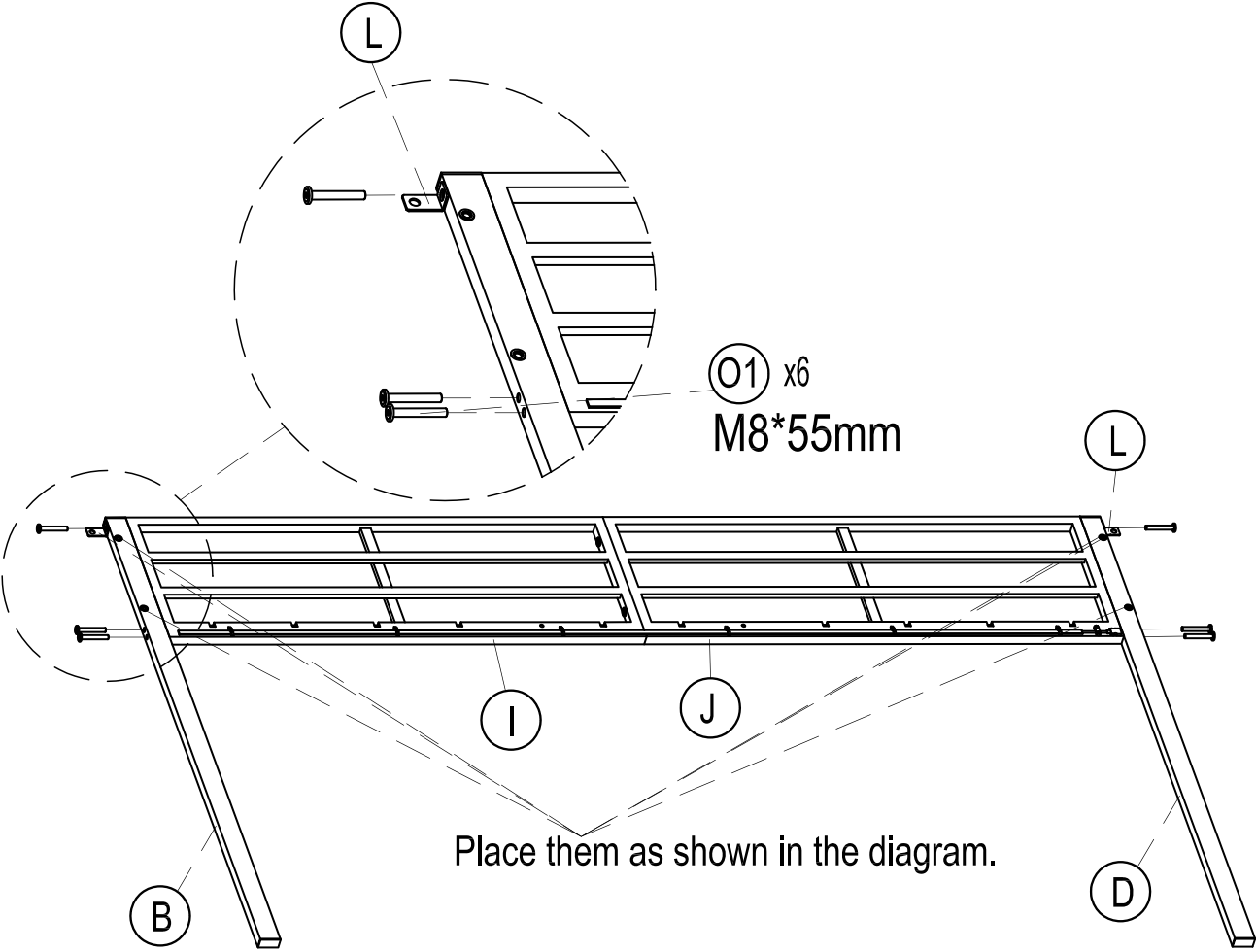


### STEP 4

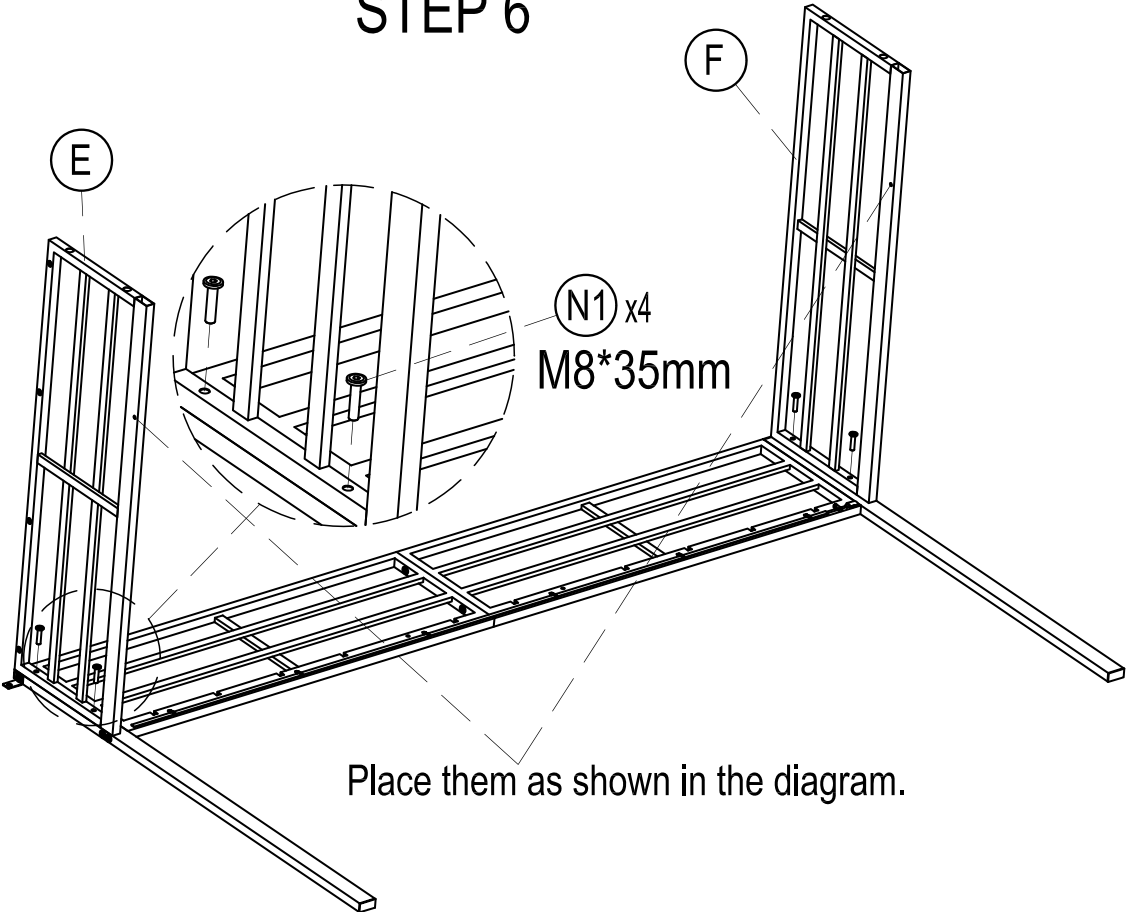


Remove the double-sided tape before installation.

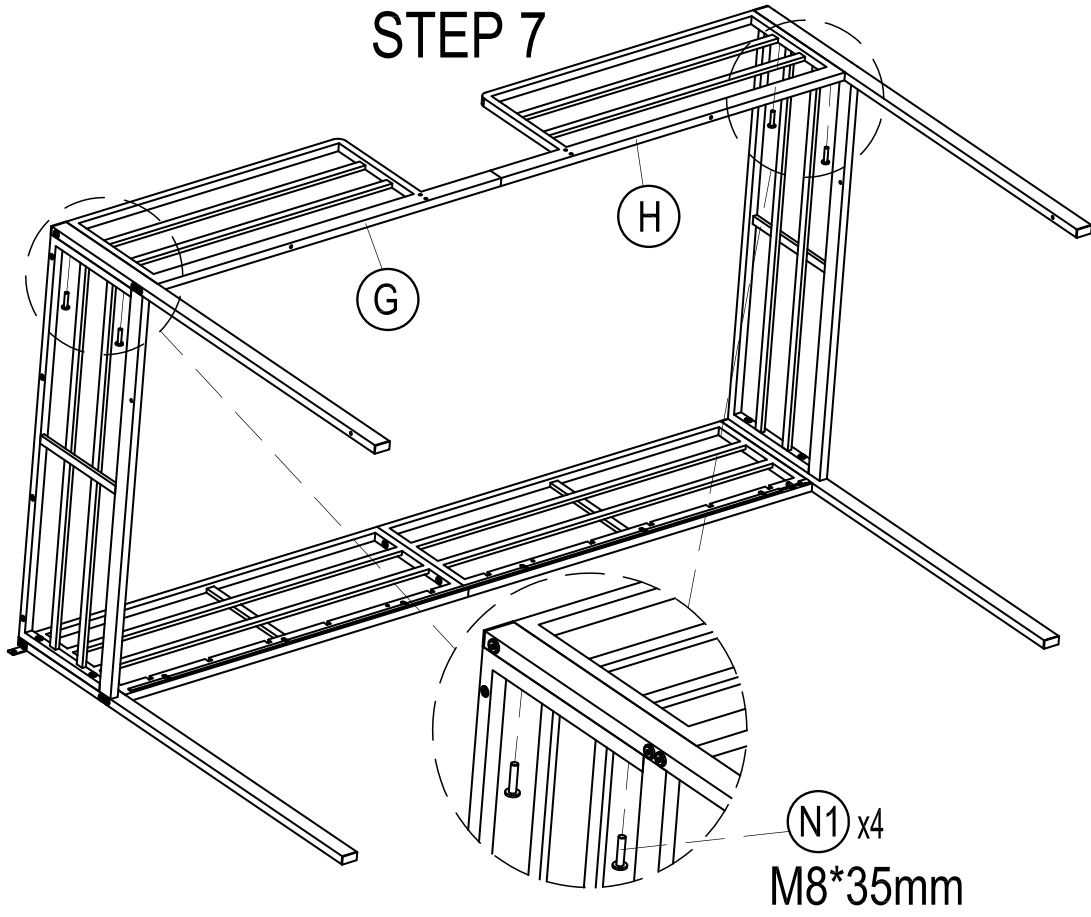
# STEP 5



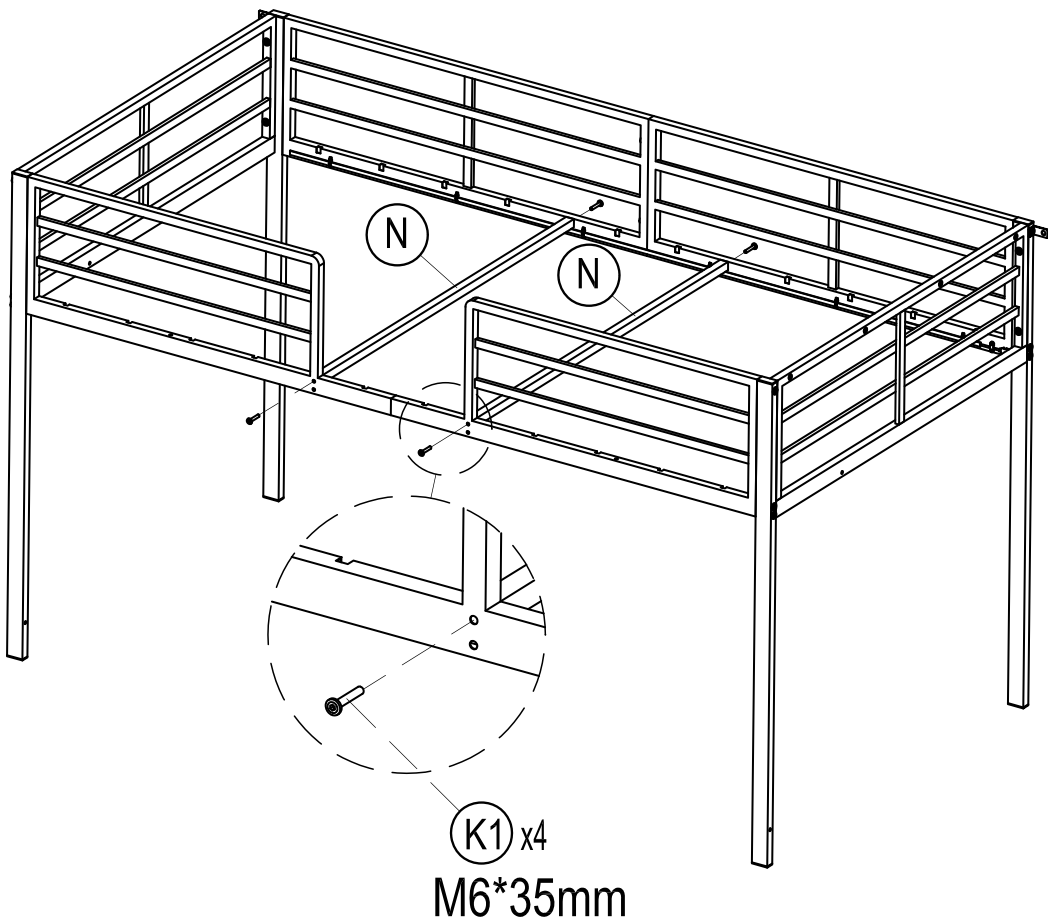
# STEP 6



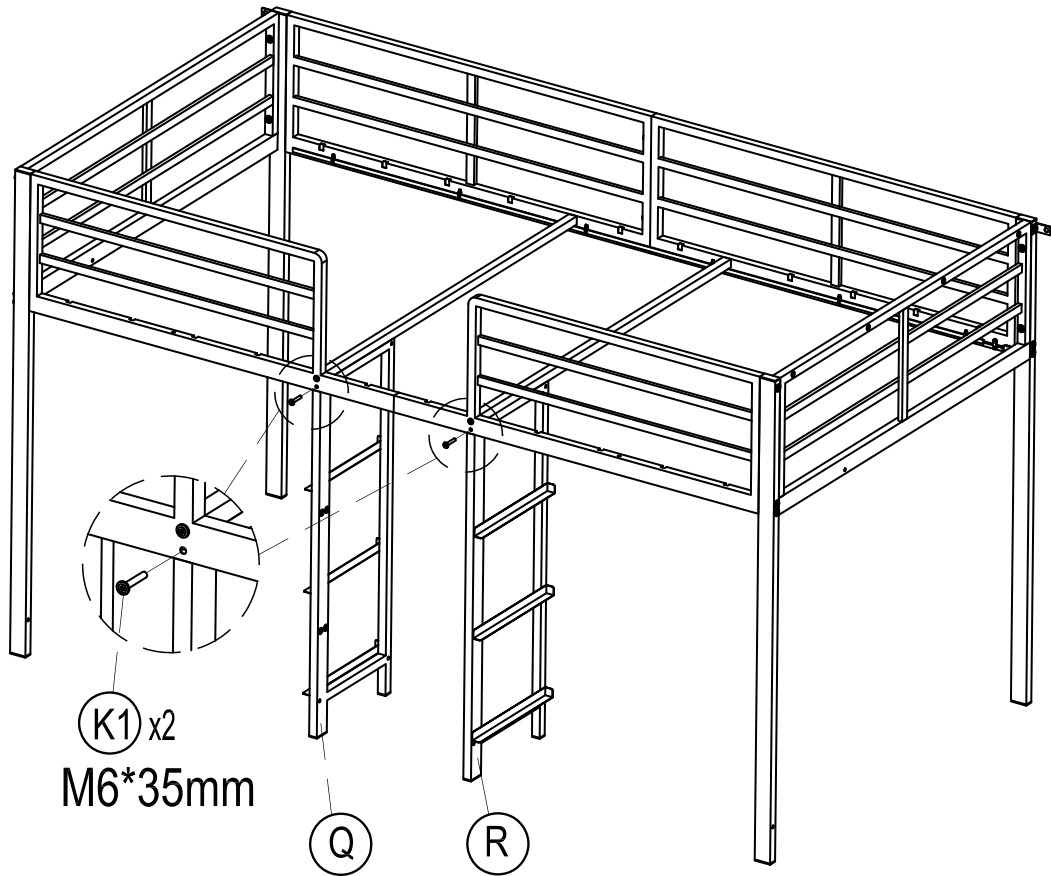
# STEP 7



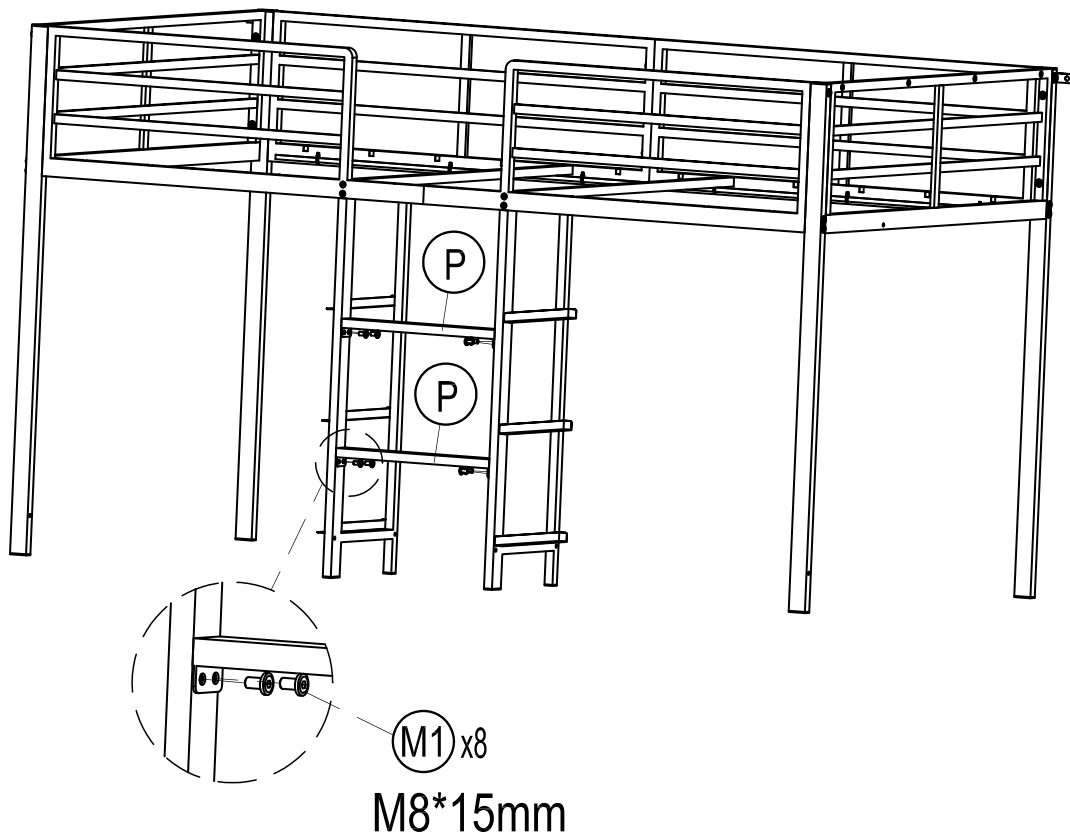
# STEP 8



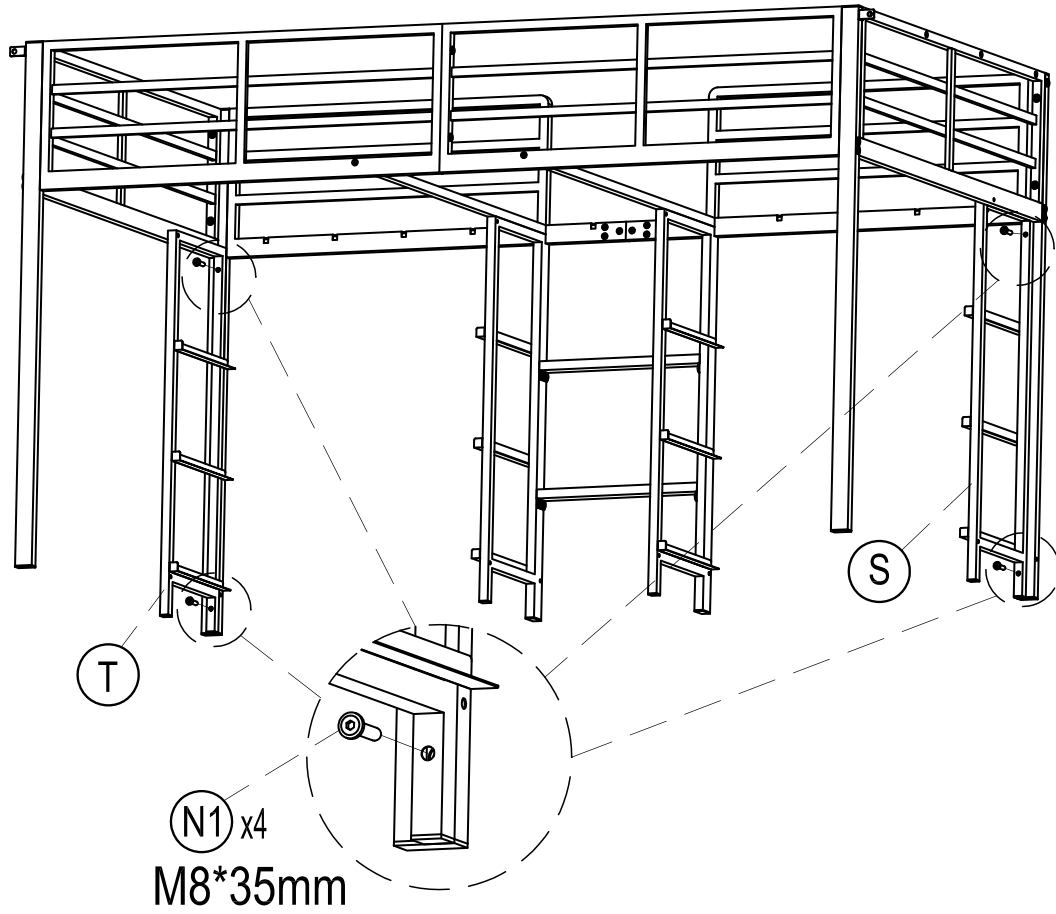
## STEP 9



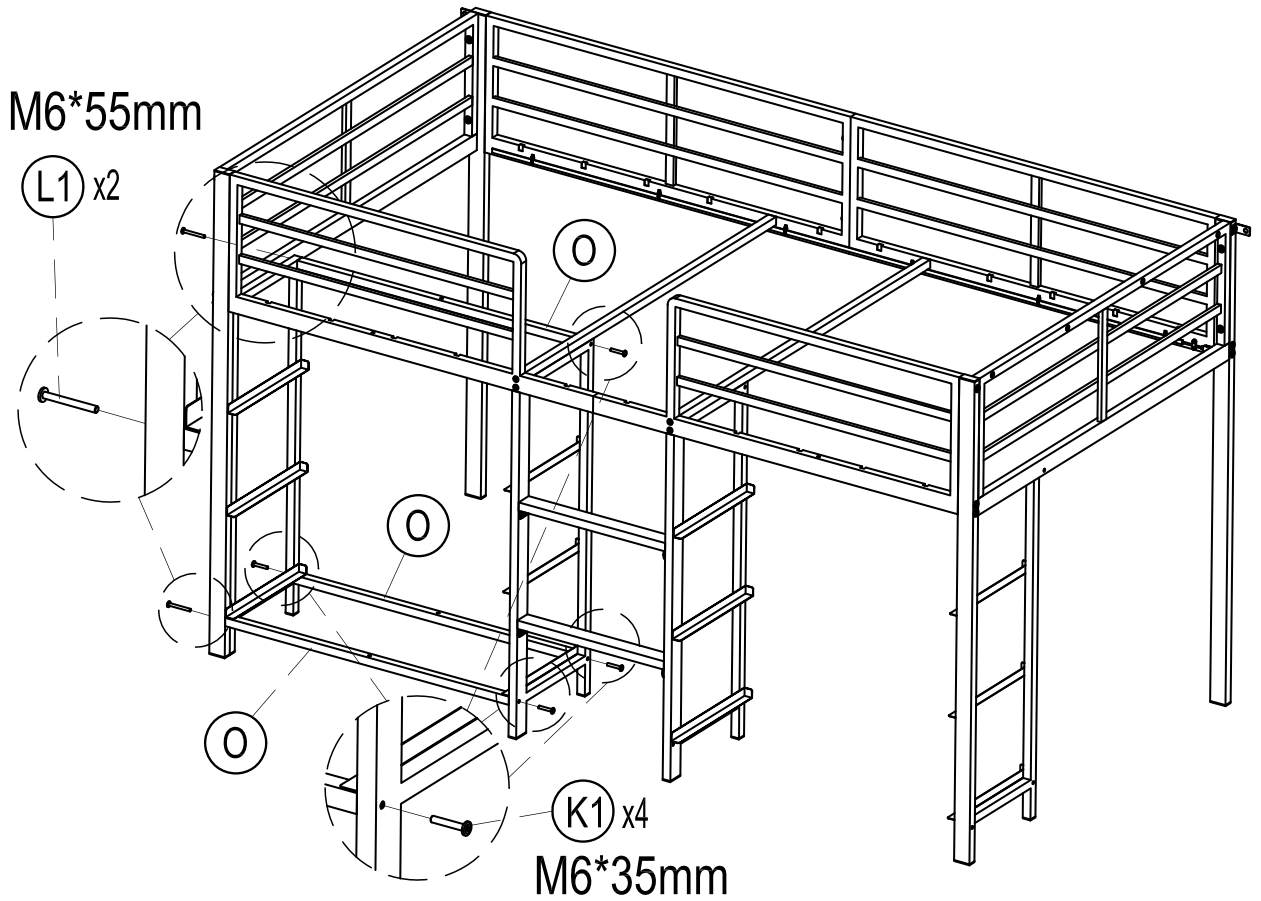
## STEP 10



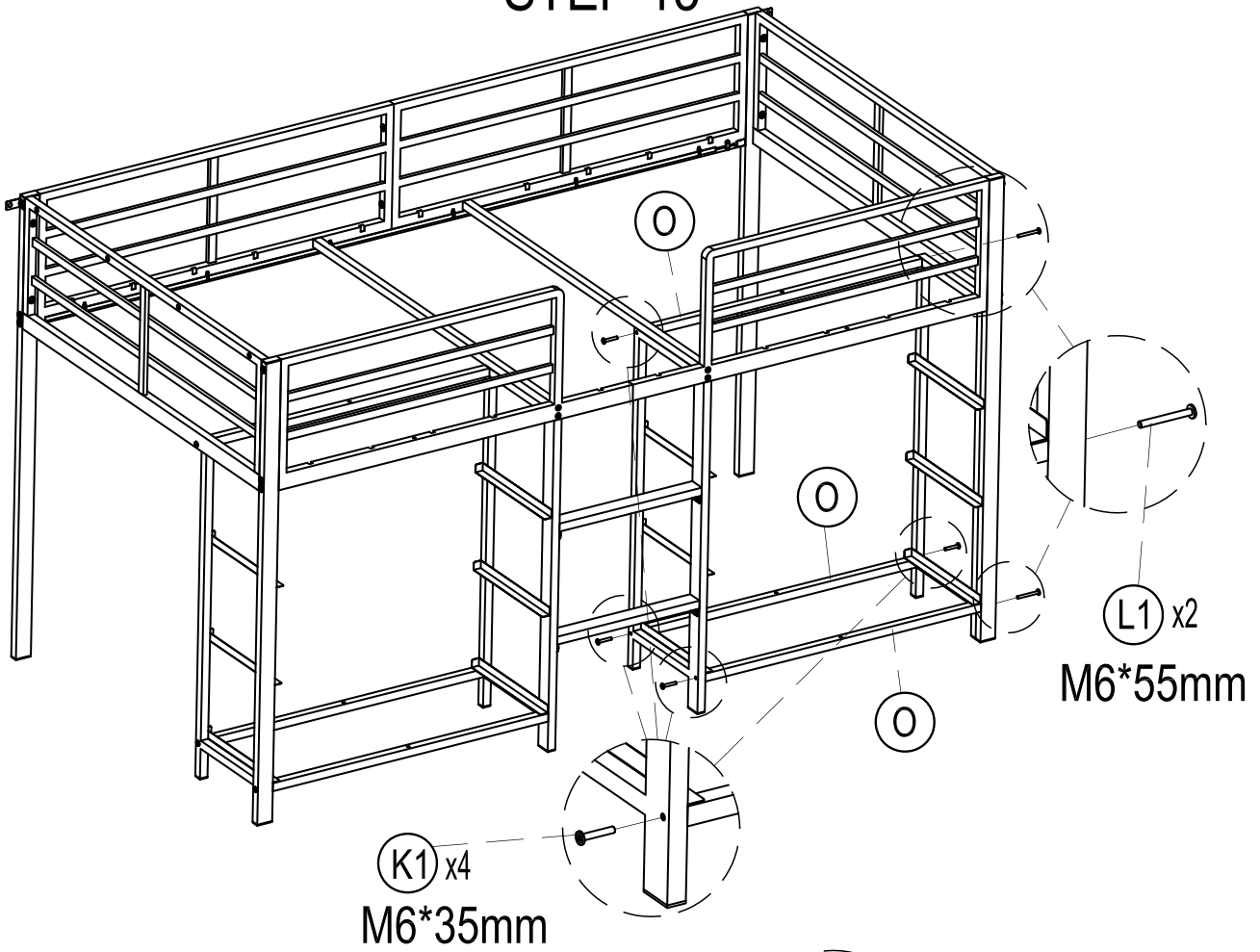
# STEP 11



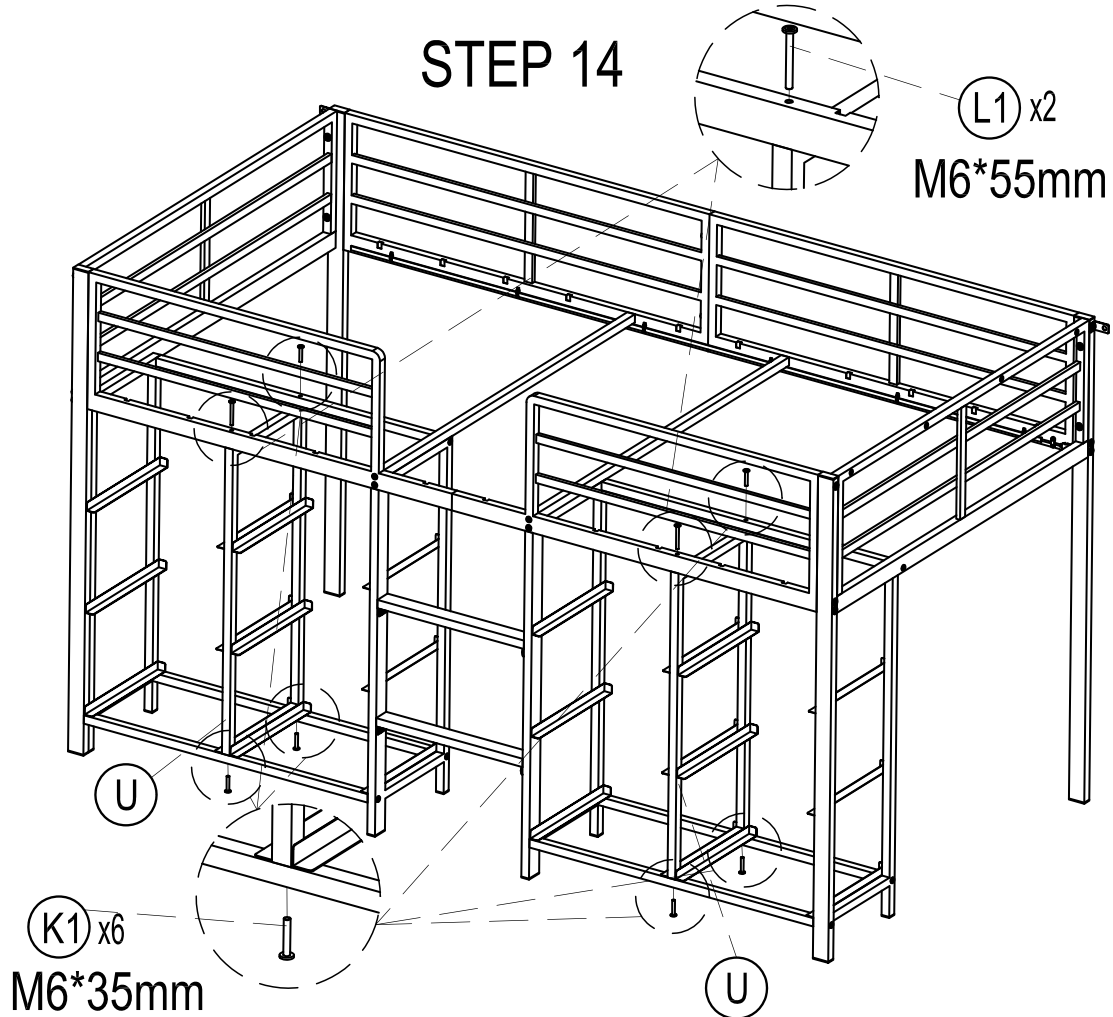
# STEP 12



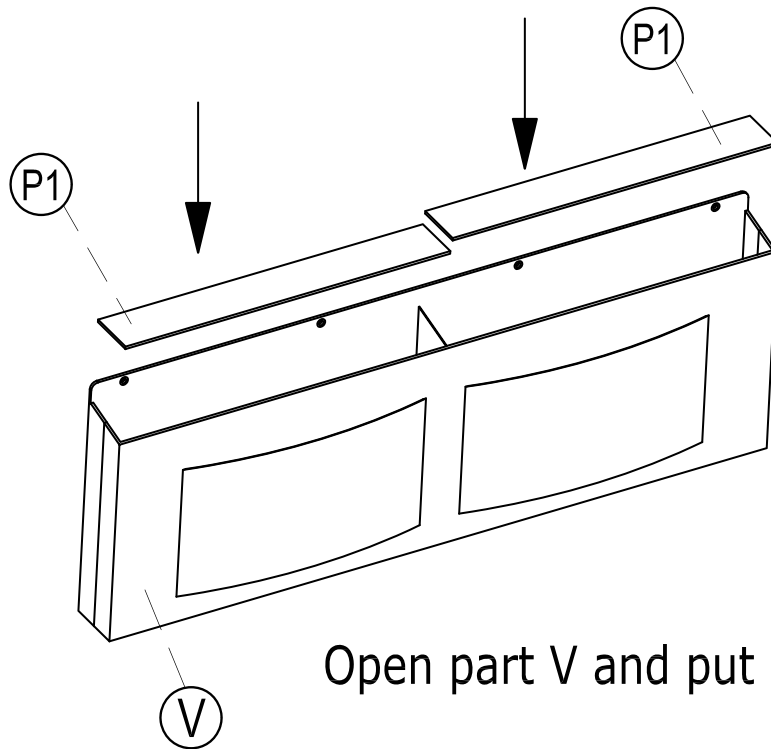
# STEP 13



# STEP 14



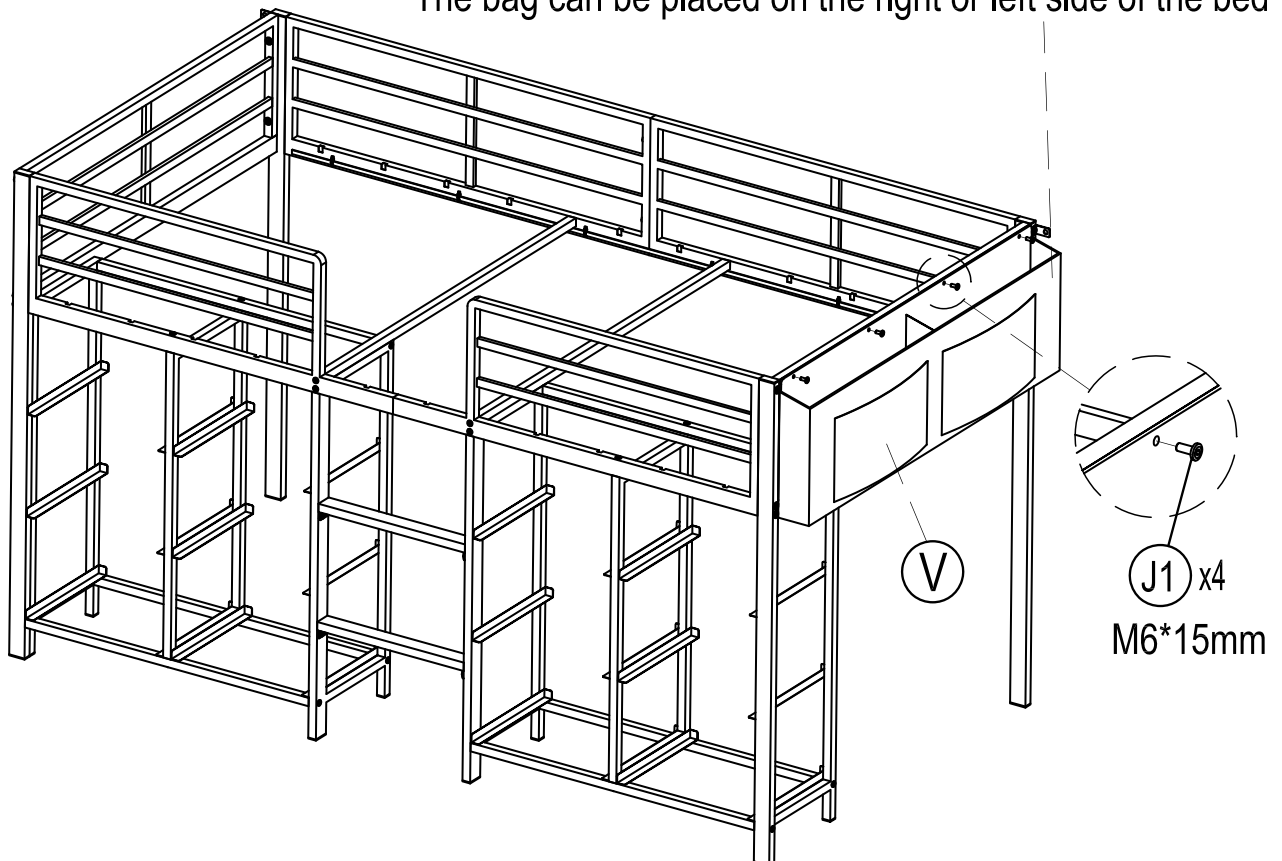
## STEP 15



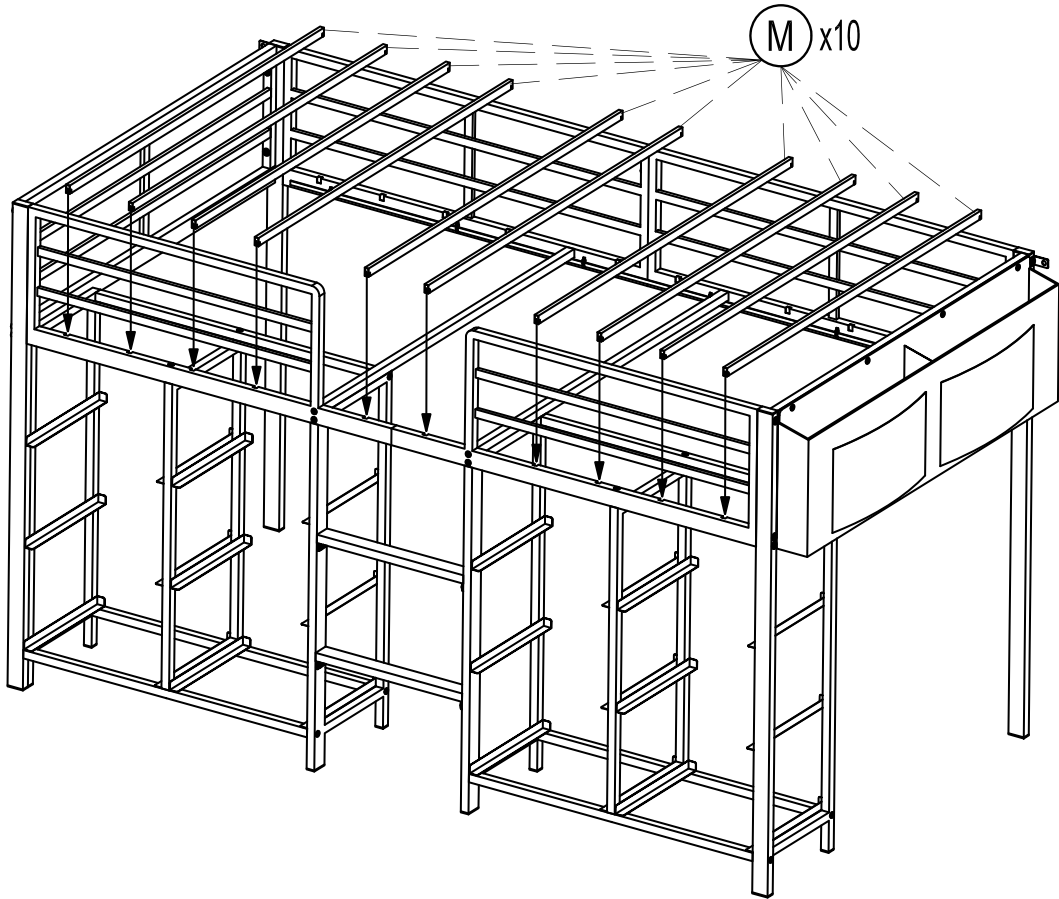
Open part V and put part P1 in

## STEP 16

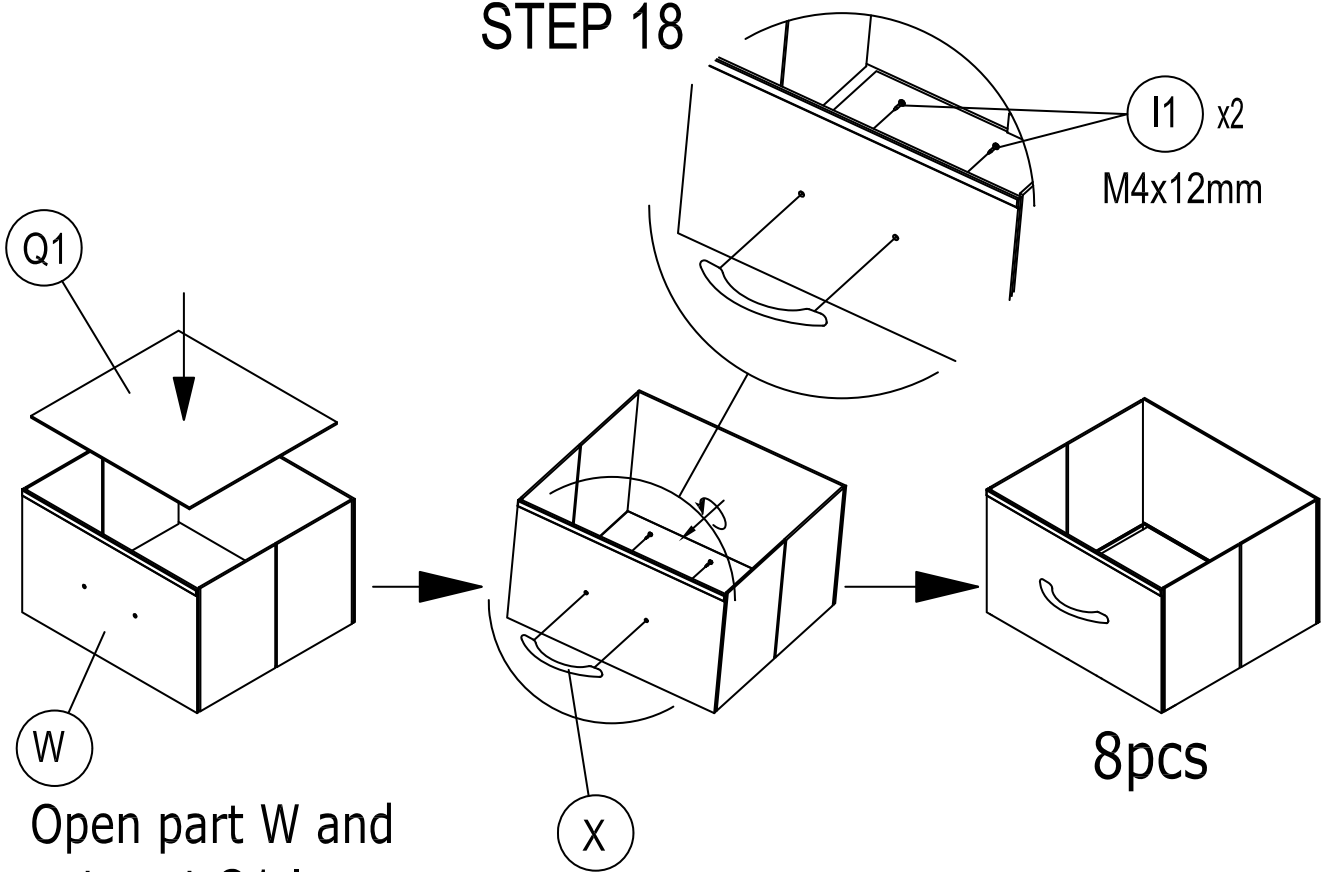
The bag can be placed on the right or left side of the bed



# STEP 17

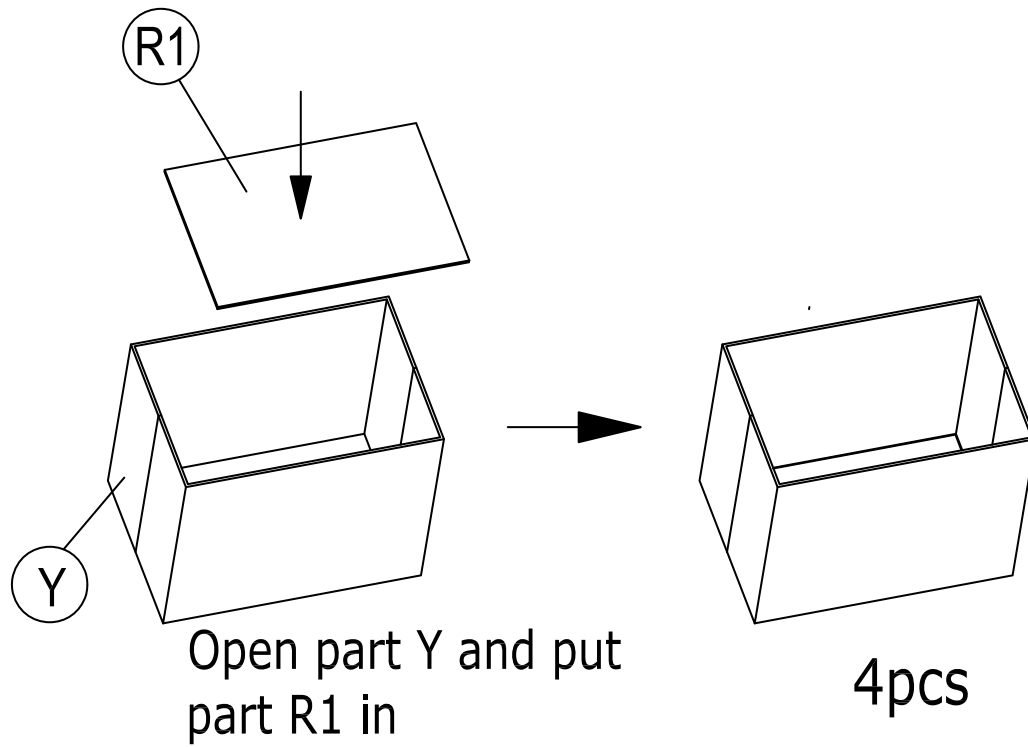


# STEP 18

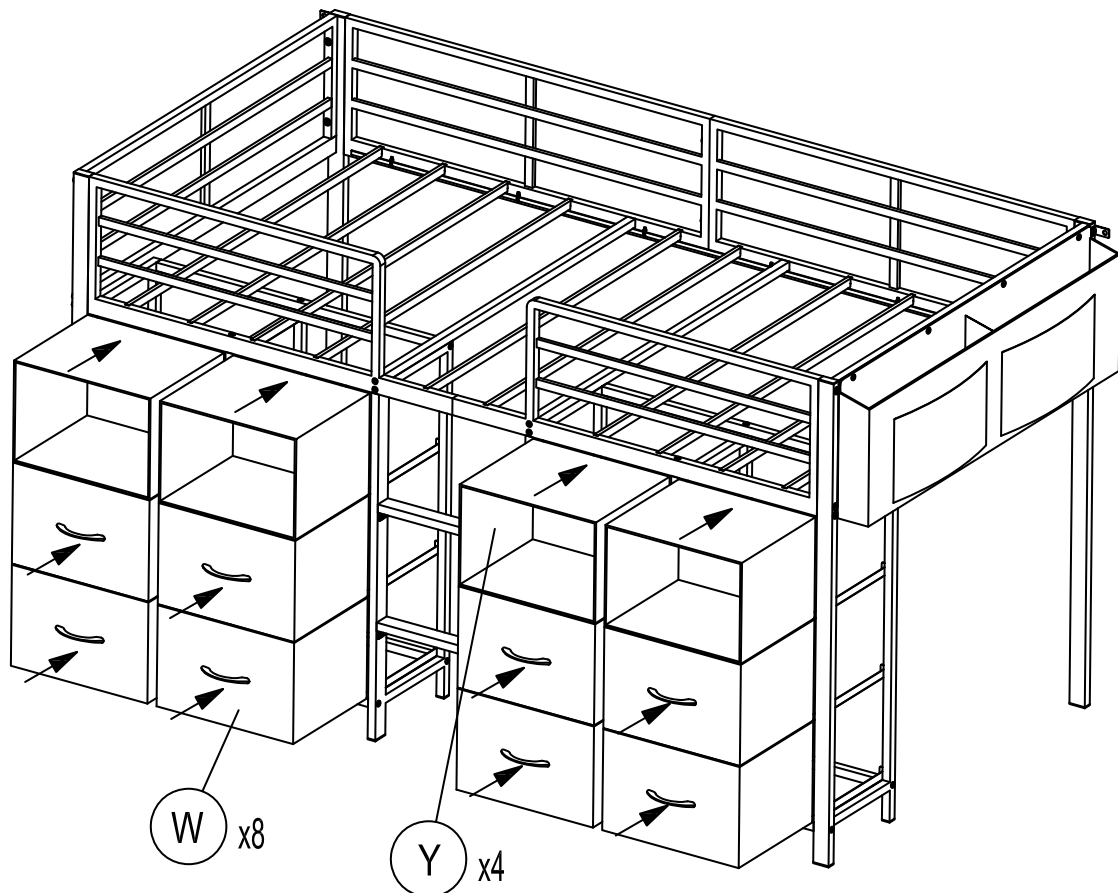


Open part W and put part Q1 in

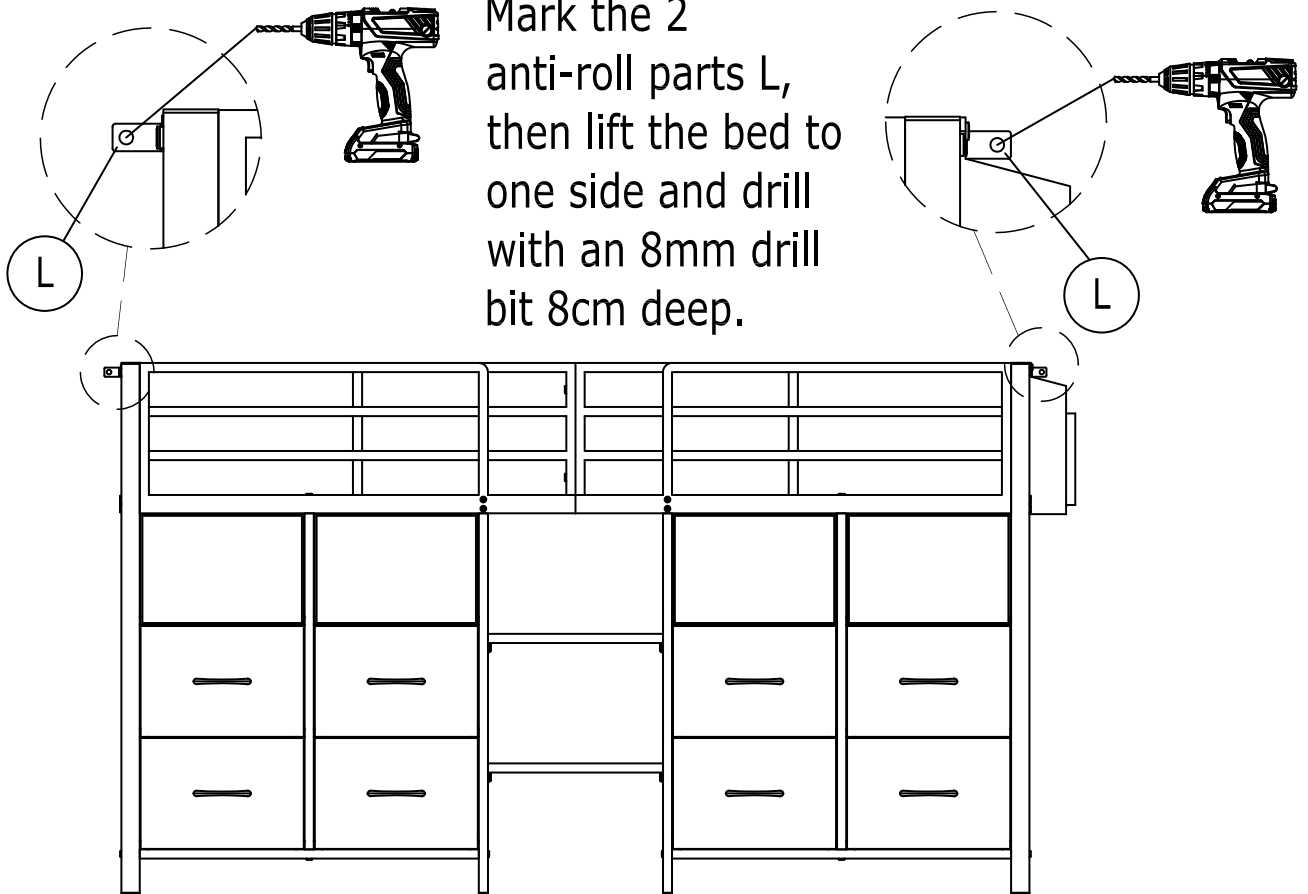
## STEP 19



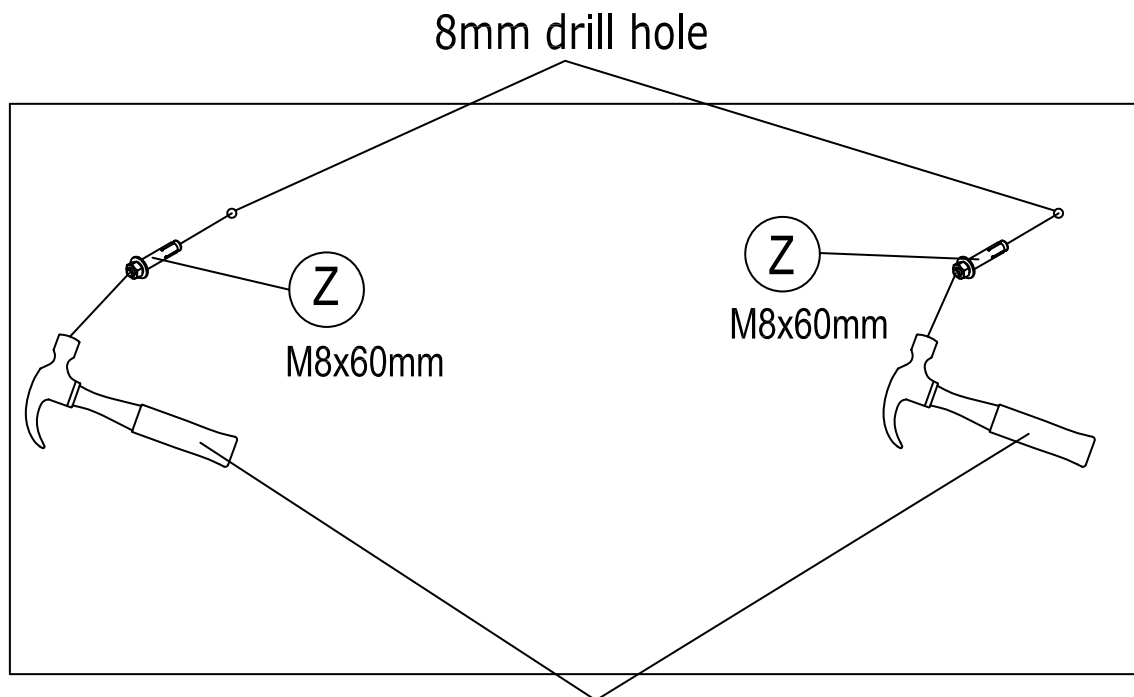
## STEP 20



## STEP 21

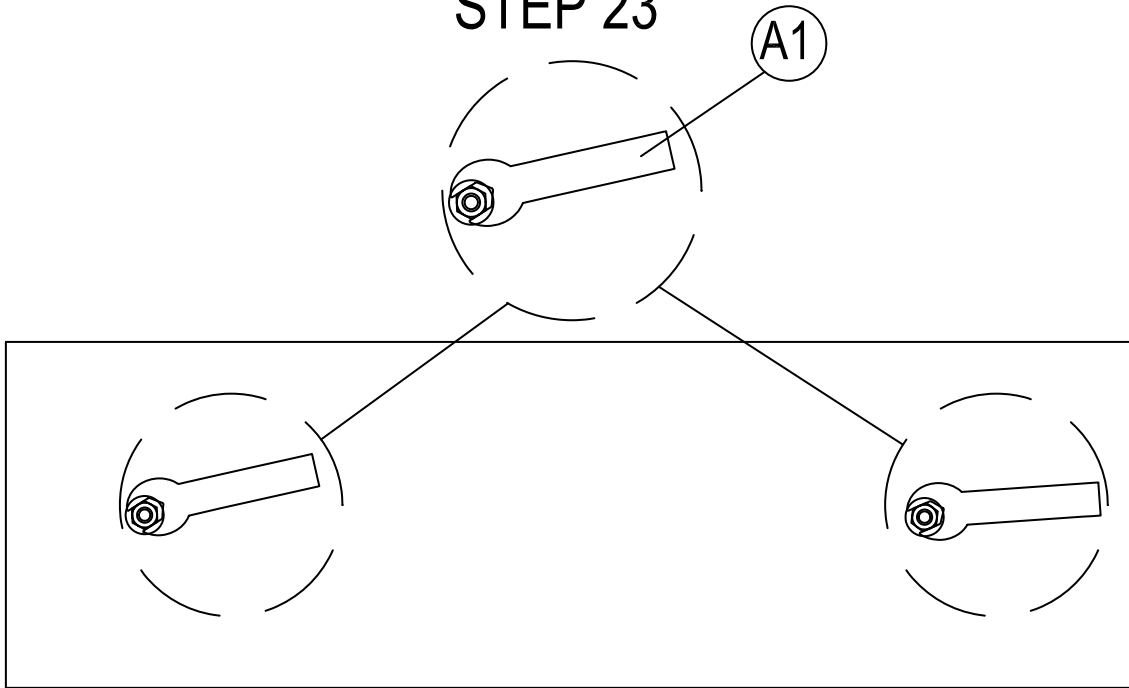


## STEP 22



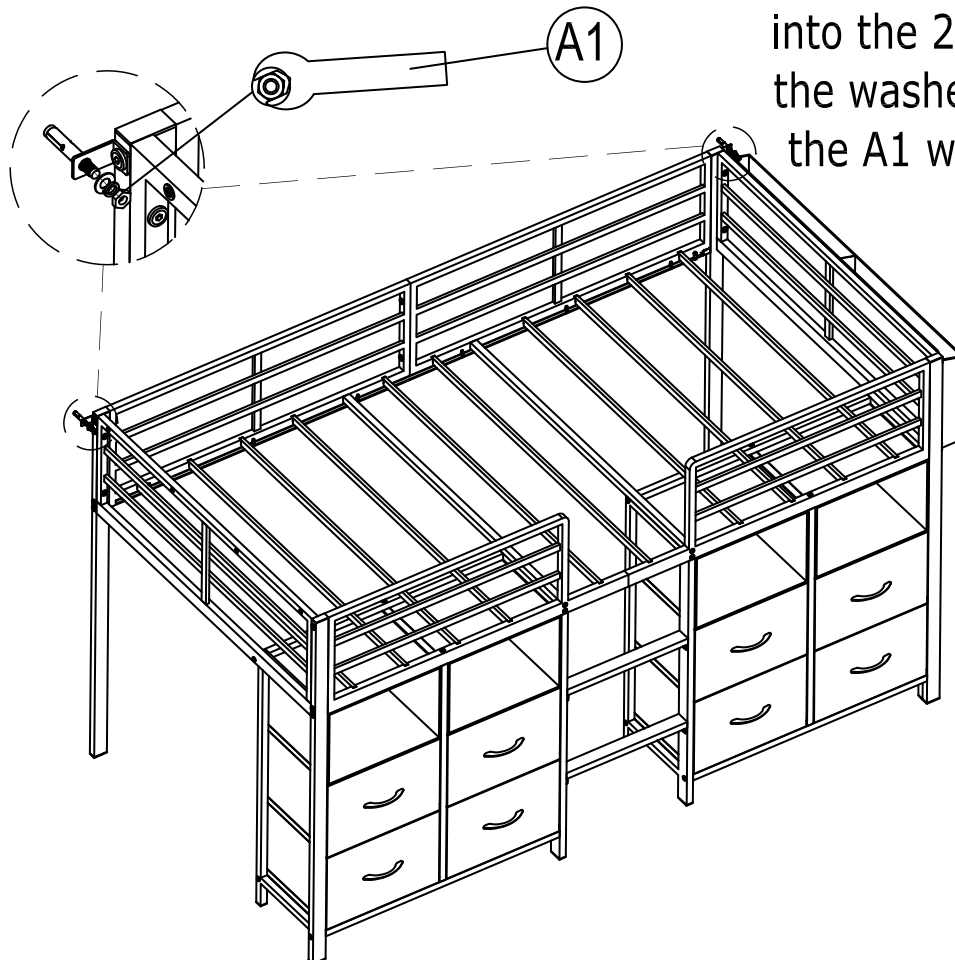
Use a hammer to hammer the Z-shaped iron plug into the 8mm drilled hole.

## STEP 23



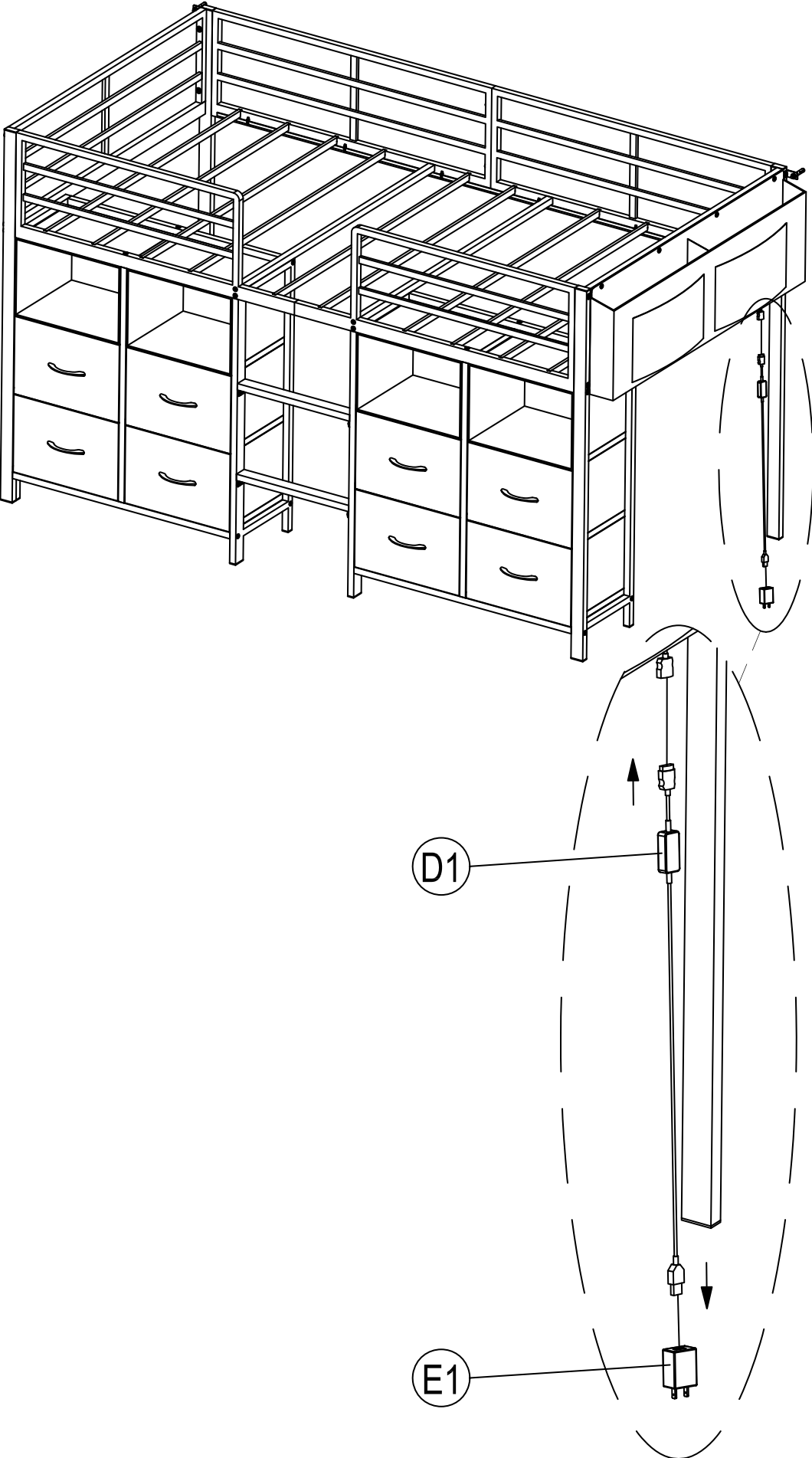
Use wrench A1 to tighten the nut on the Z anchor just arrived, then remove the nut and washer.

## STEP 24

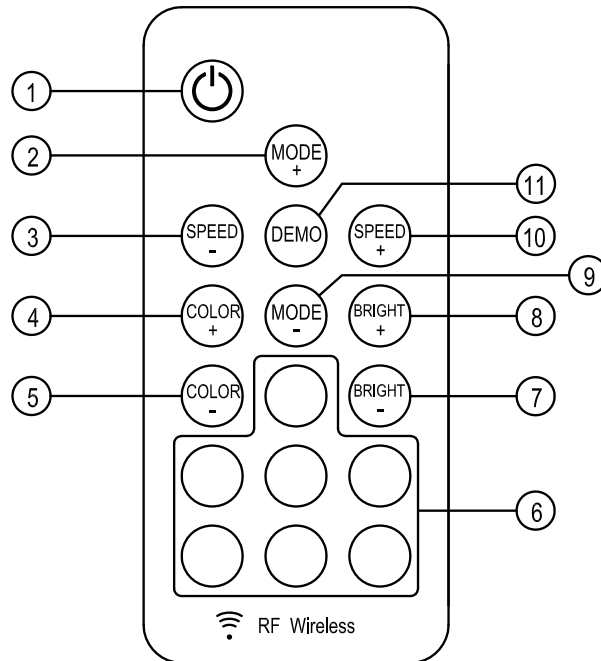


Put the L position on the bed into the 2 Z bolts, then put the washer and nut in and use the A1 wrench to tighten it.

# STEP 25



# RGB LED CONTROLLER



## 1. Turn on / Standby

Press this key to turn on unit or switch to standby mode. At power on, unit will automatically turn on and restore to previous status.

## 2/9. Dynamic Mode Adjust

Switch to dynamic mode from static color, or switch between dynamic modes.

## 3/10. Dynamic Speed Adjust

Adjust dynamic playing speed. Press SPEED + to increase speed and press SPEED - to decrease. Unit will switch to dynamic mode If press this key at static color mode.

## 4/5. Static Color Adjust

Switch to static color mode from dynamic mode, or switch between static colors.

## 6. Direct Color Select

Shortcut key to static colors. When press the specific color key, LED will play the same static color. The direct colors are included in 'COLOR +' and 'COLOR -' operation.

## 7/8. Brightness Adjust

Adjust static color brightness. Press BRIGHGT + to increase brightness and press BRIGHGT - to decrease. Unit will switch to static color mode If press this key at dynamic mode.

## 11. Demo Mode

Press this key will switch to Demo mode. At demo mode, it plays 17 dynamic modes in loop, each mode repeat 3 times.