

TELLURIDE

AIR HOCKEY



Warning

Adult Assembly Required

Asamblea de adultos de advertencia necesaria



MODEL # / No. de Homestead

#26-3575

Assembly and Instructions/Asamblea e Instrucciones

Congratulations!

We hope you will have many hours of enjoyable use with your new Air Hockey Table!



PLEASE KEEP YOUR INSTRUCTIONS!

- Your Model number is necessary should you need to contact us.
- Please read through this instruction book to familiarize yourself with all the parts and assembly steps.
- Refer to the Parts Identifier and verify that all parts have been included.



WARNING!

This is not a child's toy. Adult supervision is required for children playing this game. Please read instructions carefully. Proper use of this set can avoid damage or injury.



BEFORE ASSEMBLY:

- Did you receive 1 box?
- Did you inspect your playfield/main table frame before assembly? It is not replaceable and must be returned to the original place of purchase if damaged.



TOOLS REQUIRED FOR ASSEMBLY:

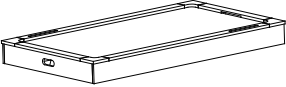
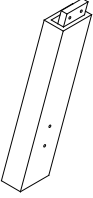
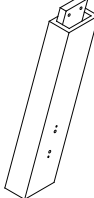
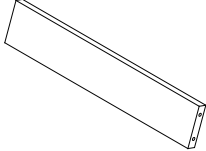
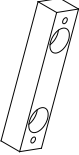
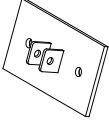
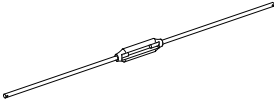
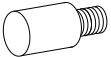
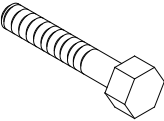
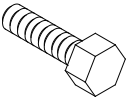
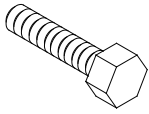
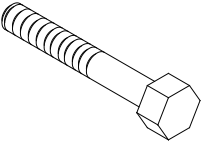
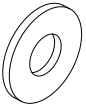
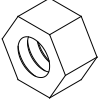
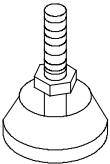
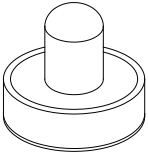

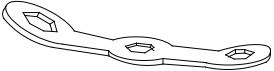
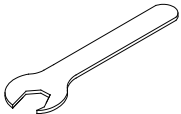
- Phillips and Slotted Head Screwdrivers / or Power Driver (not included)
- Allen Wrench (included)

ASSEMBLY INSTRUCTIONS:

We recommend that two adults work together to assemble this table.

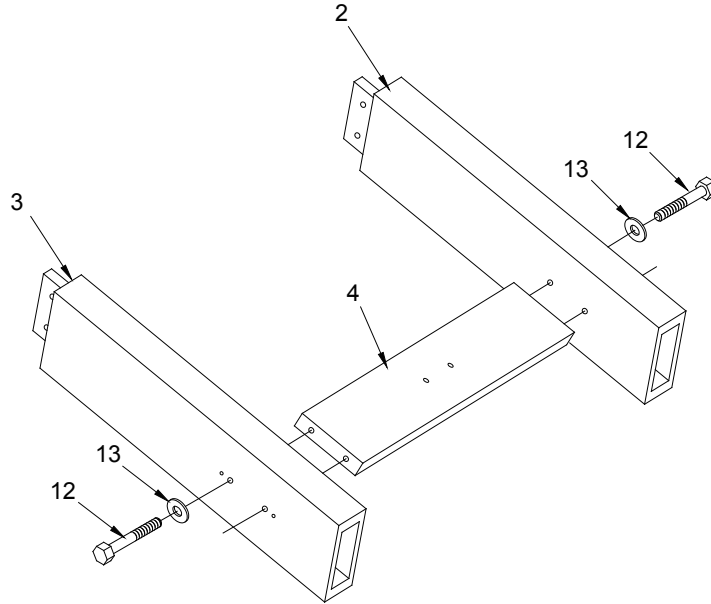
- The table will be assembled upside down. This is a very heavy table and turning it right side up will require at least two strong adults.
- We suggest that you use the bottom carton as a clean flat work area to protect the top of your Air Hockey table while assembling.

Parts List

<p>#1</p>  <p>Main cabinet 1 piece</p>	<p>#2</p>  <p>Left leg 2 pieces</p>	<p>#3</p>  <p>Right leg 2 pieces</p>	<p>#4</p>  <p>Leg end panel 2 pieces</p>
<p>#5</p>  <p>Bolt plate 4 pieces</p>	<p>#6</p>  <p>Main plate 20 pieces</p>	<p>#7</p>  <p>Turnbuckle 20 pieces</p>	<p>#8</p>  <p>Tenon 20 pieces</p>
<p>#9</p>  <p>5/16"X2" bolt 1 piece</p>	<p>#10</p>  <p>5/16"X3/4" bolt 20 pieces</p>	<p>#11</p>  <p>5/16"X1-1/2" bolt 2 pieces</p>	<p>#12</p>  <p>5/16"X5-1/2" bolt 2 pieces</p>
<p>#13</p>  <p>5/16" Washer 2 pieces</p>	<p>#14</p>  <p>5/16" Nut 4 pieces</p>	<p>#15</p>  <p>Leg leveler 1 piece</p>	<p>#16</p>  <p>Pusher 4 pieces</p>
<p>#17</p>  <p>Puck 4 pieces</p>	<p>#18</p>  <p>Wrench 1 piece</p>	<p>#19</p>  <p>Wrench 1 piece</p>	

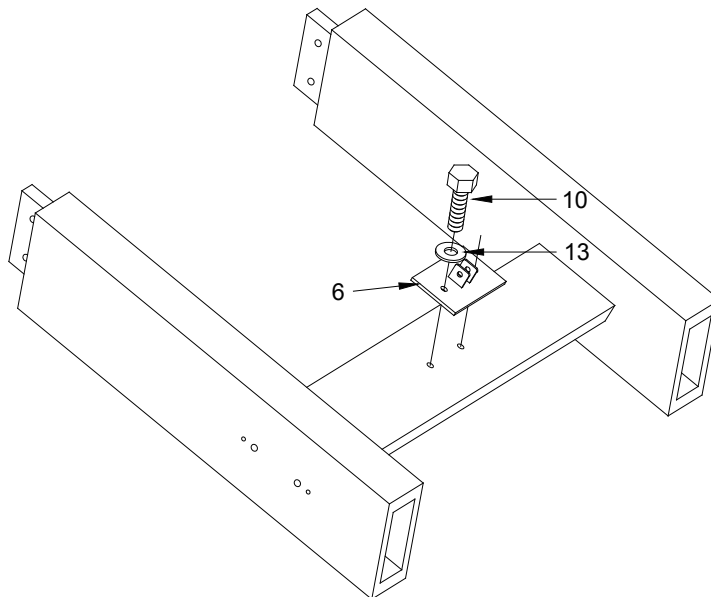
Step 1:

- Attach Leg Panel (Part #4) to Left and Right Legs (Parts #2 and #3) using six Bolts (#12) and six Washers (#13). Finger tighten until all bolts are in place.
- Repeat with remaining legs and panel.



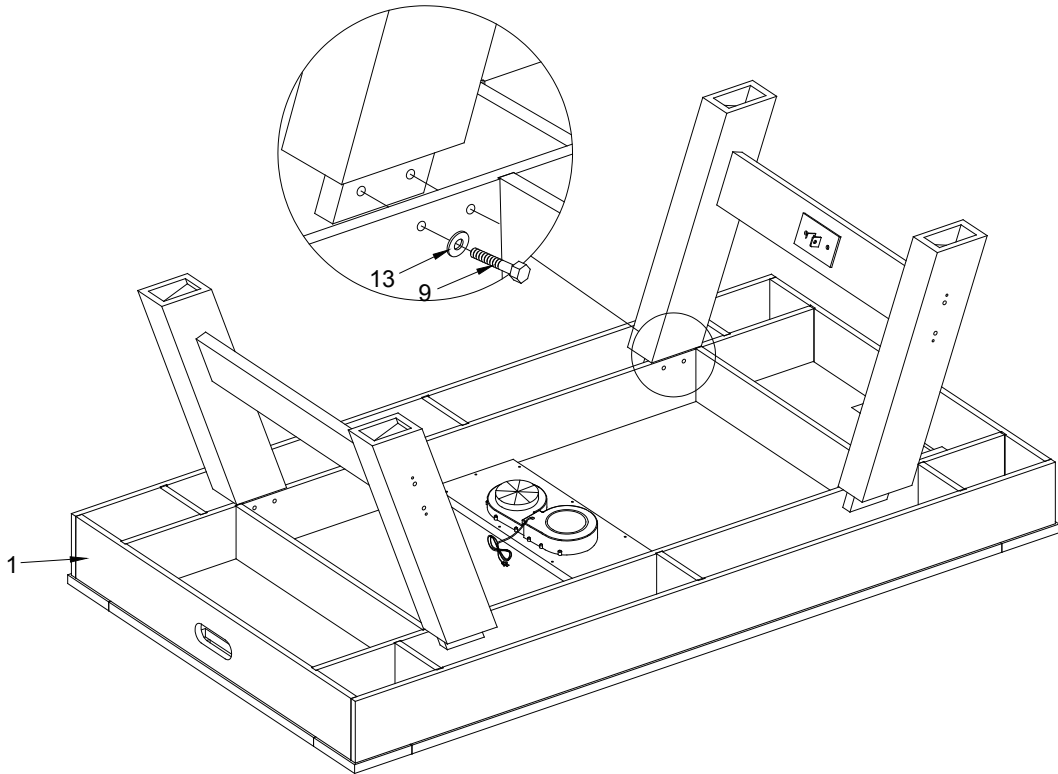
Step 2:

- Attach one Main plate(#6), using Bolts (#10) and Washers (#13).



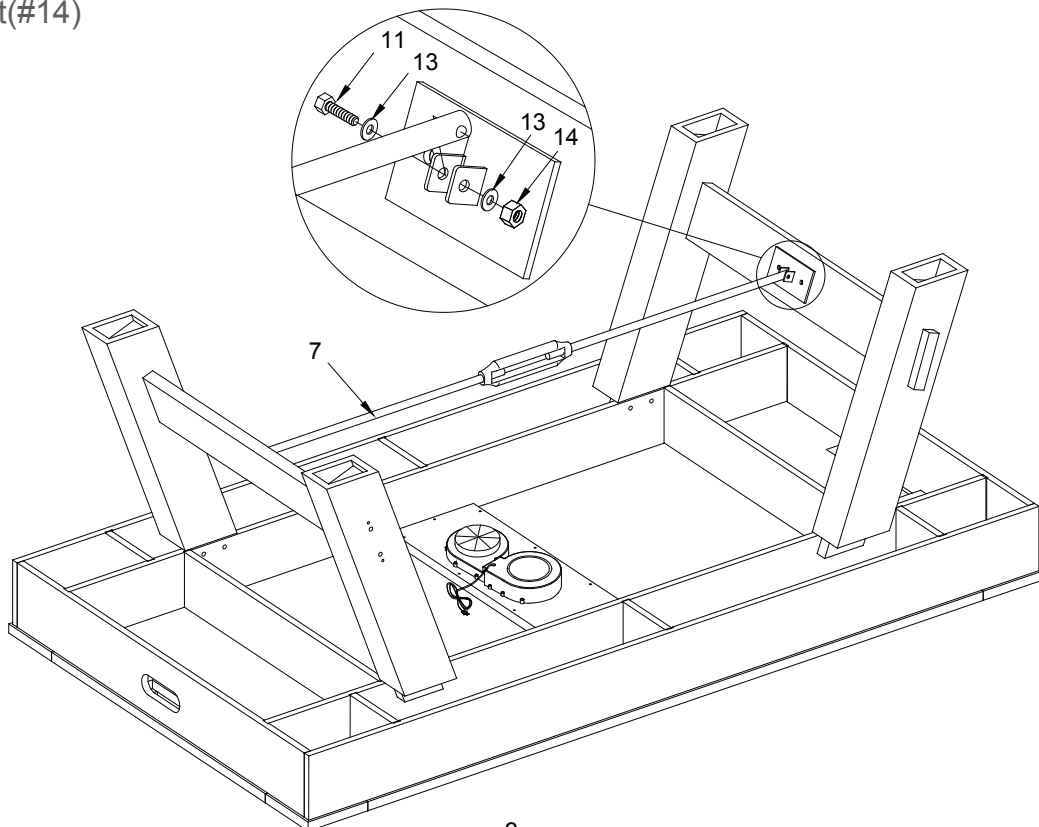
Step 3:

Attach the legs to the main cabinet(#1) using bolts(#9) and washers(#13).



Step 4:

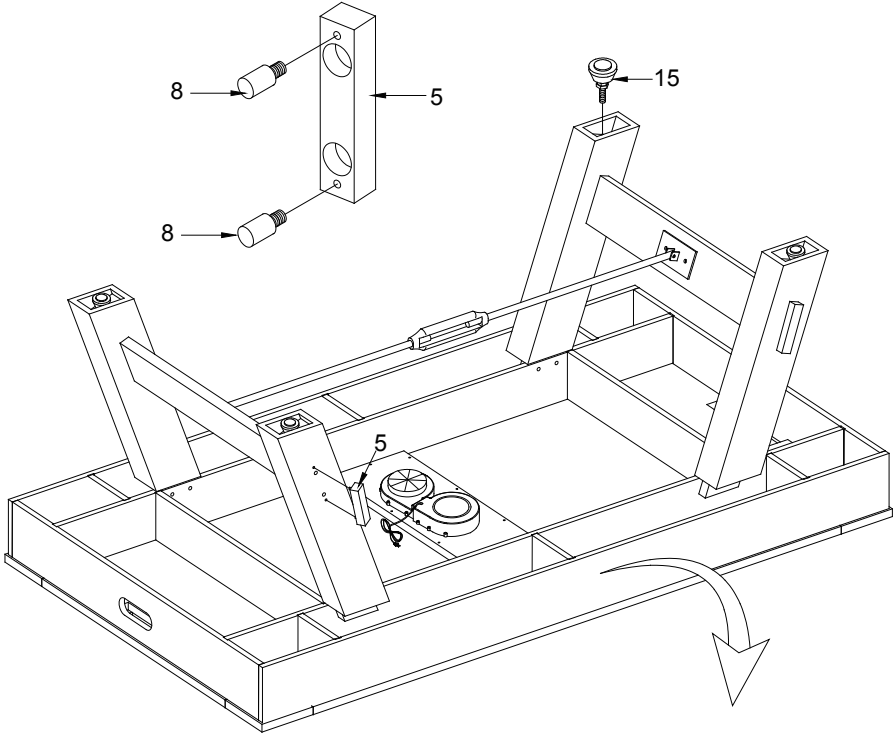
Attach the turnbuckle(#7) to the using bolts(#11) and Washers(#13) and Washers(#13) and Nut(#14)



Step 5:

Insert #5 wood block on to leg, repeat on both sides

Then screw in #15 leg levelers.



Step 6:

Using two strong adults turn the table right side up.

