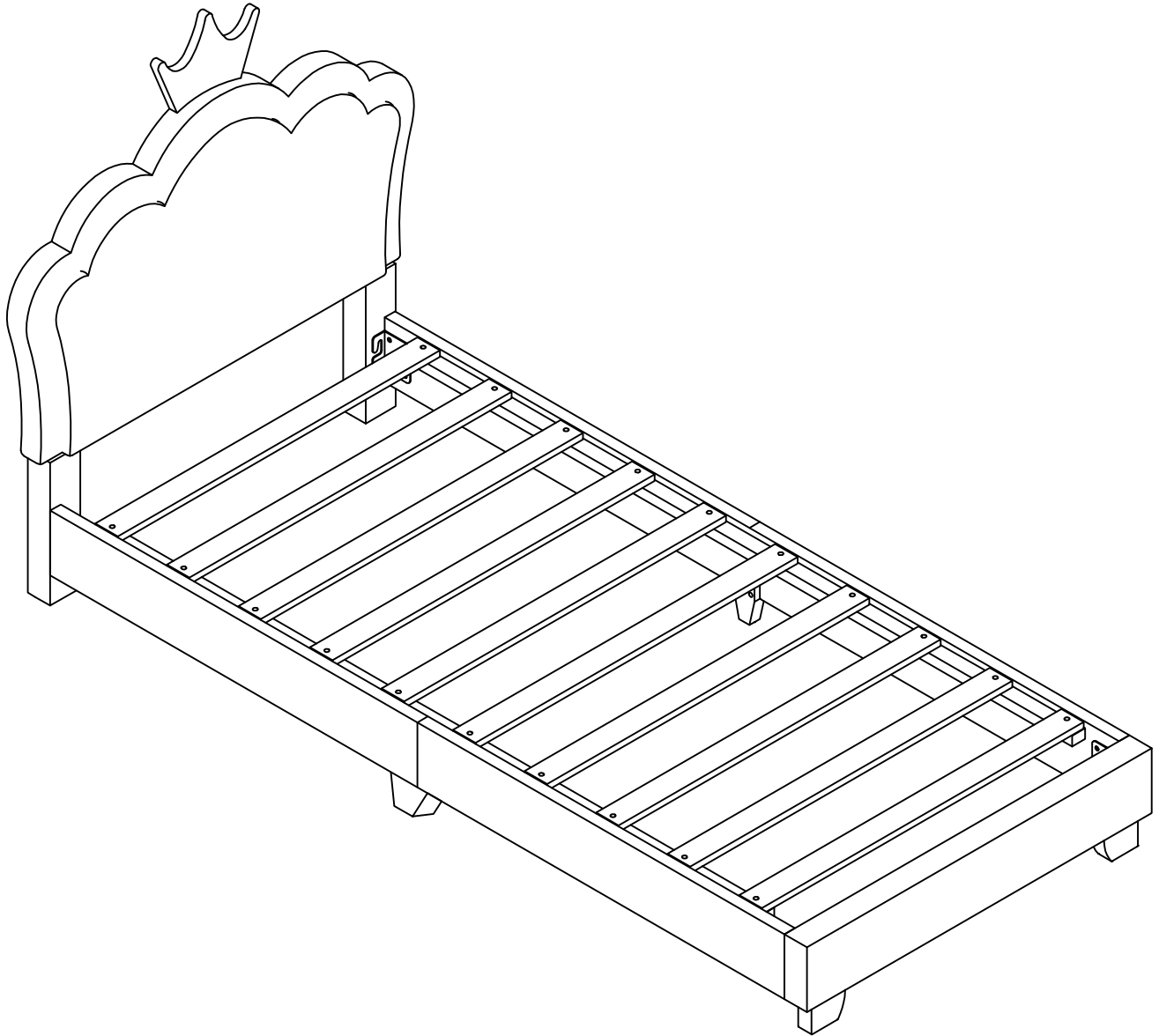


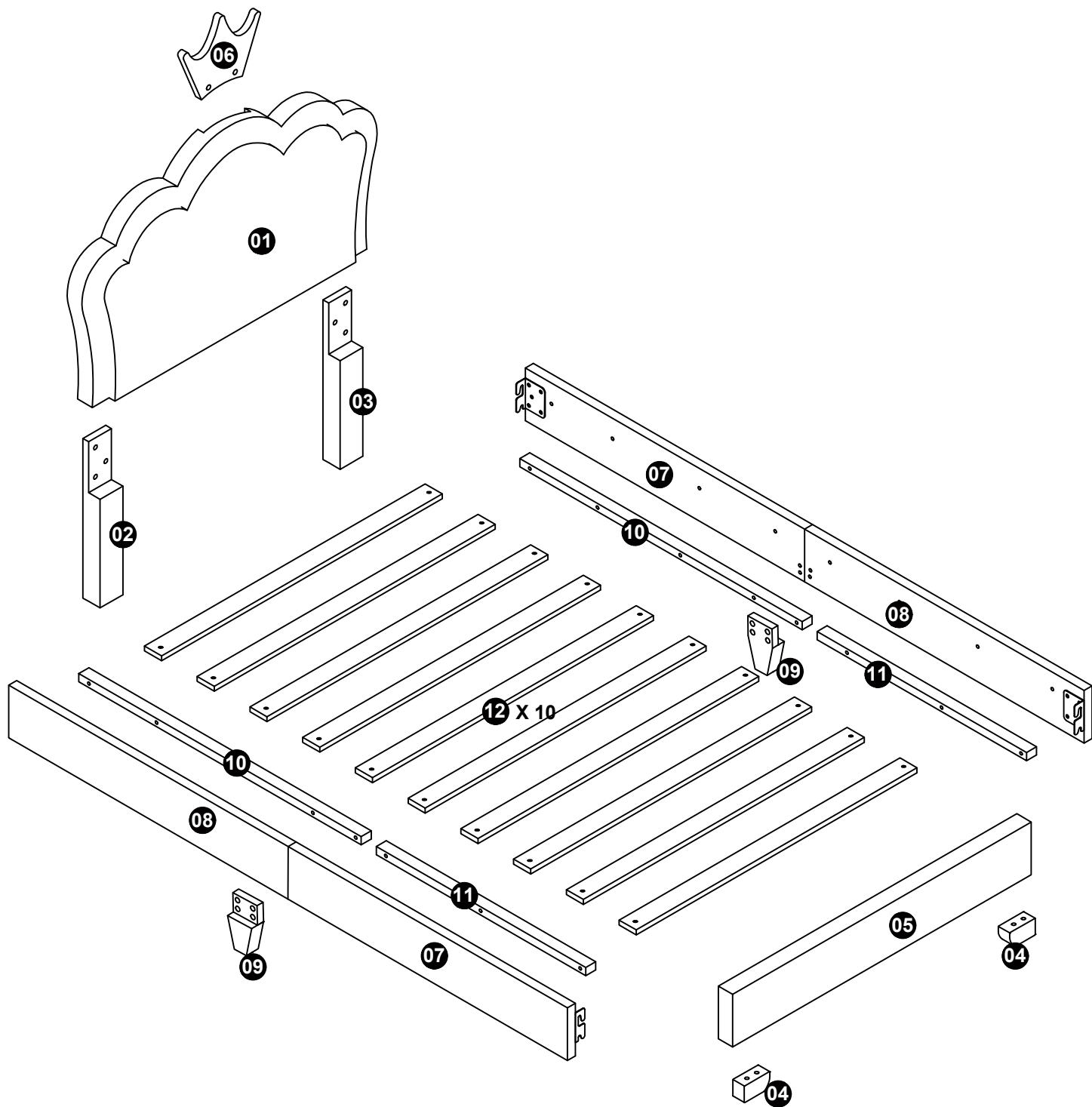
# ASSEMBLY INSTRUCTIONS



## IMPORTANT NOTE

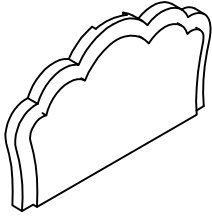
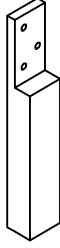
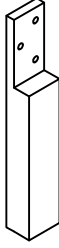
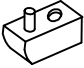
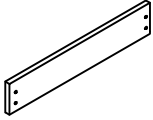
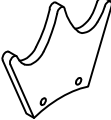
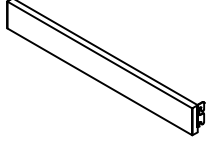
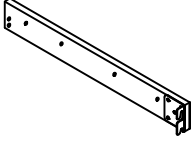
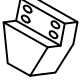
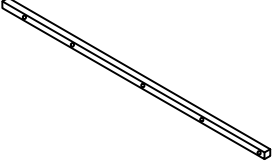
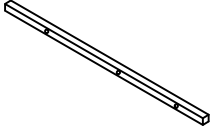

- \*\*PLACE ALL PARTS ON A CLEAN AND SMOOTH SURFACE SUCH AS A RUG OR CARPET TO AVOID THE PARTS FROM BEING SCRATCHED**
- \*\* BEFORE YOU BEGIN , KINDY FOLLOW THE ASSEMBLY INSTRUCTIONS STEP BY STEP**
- \*\*DO NOT TIGHTEN ALL SCREWS AND BOLTS UNTIL THE BED IS FULLY SET-UP**

# ASSEMBLY INSTRUCTIONS



# ASSEMBLY INSTRUCTIONS

## PART LIST BOX 1: 303336

<p>1</p>  <p>Headboard Panel (1 pc)</p>	<p>2</p>  <p>Left Headboard leg( 1 pc )</p>	<p>3</p>  <p>Right Headboard Leg( 1 pc )</p>
<p>4</p>  <p>Leg (2 pcs)</p>	<p>5</p>  <p>Footboard Panel (1 pc)</p>	<p>6</p>  <p>Headboard crown (1 pc)</p>
<p>7</p>  <p>Left Lower Rail (2 pcs)</p>	<p>8</p>  <p>Right Lower Rail (2 pcs)</p>	<p>9</p>  <p>Rail support legs (2 pcs)</p>
<p>10</p>  <p>Bed Support Bar (2 pcs)</p>	<p>11</p>  <p>Bed Support Bar (2 pcs)</p>	<p>12</p>  <p>Roll Slat (10 pcs)</p>

# ASSEMBLY INSTRUCTIONS

## HARDWARE LIST IN : 303336

A



**Short Bolt (8pcs)**  
(Ø 5/16 "X25mm)

B



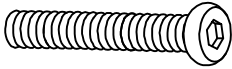
**Long Bolt (2 pcs)**  
(Ø 5/16 "X32mm)

C



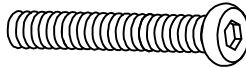
**Long Bolt (14 pcs)**  
(Ø 5/16 "X38mm)

D



**Long Bolt (16pcs)**  
(Ø 5/16 "X45mm)

E



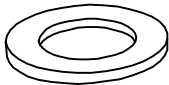
**Long Bolt (2pcs)**  
(Ø 5/16 "X50mm)

F



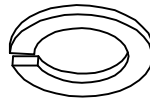
**Allen Wrench (1 pc)**  
(M4x75mm x32mm)

G



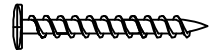
**Flat Washer (42 pcs)**  
(Ø 5/16 "-RBW)

H



**Spring Washer (42 pcs)**  
(Ø 5/16 "-RBW)

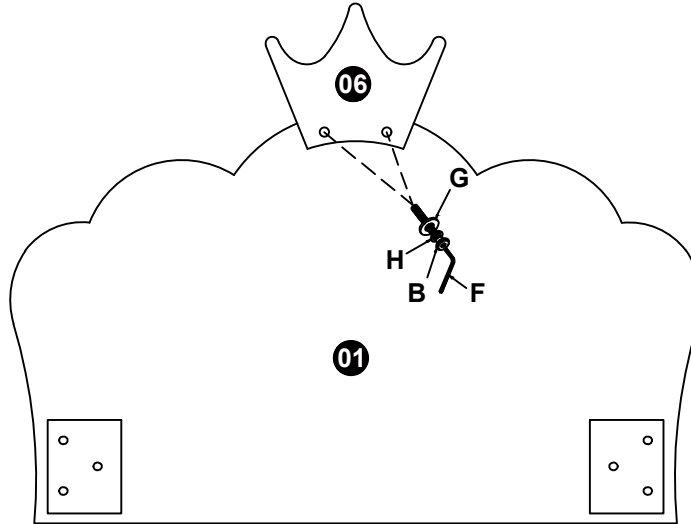
I







**Flat Head Screw (20 pcs)**  
( m4x30mm-RBW)

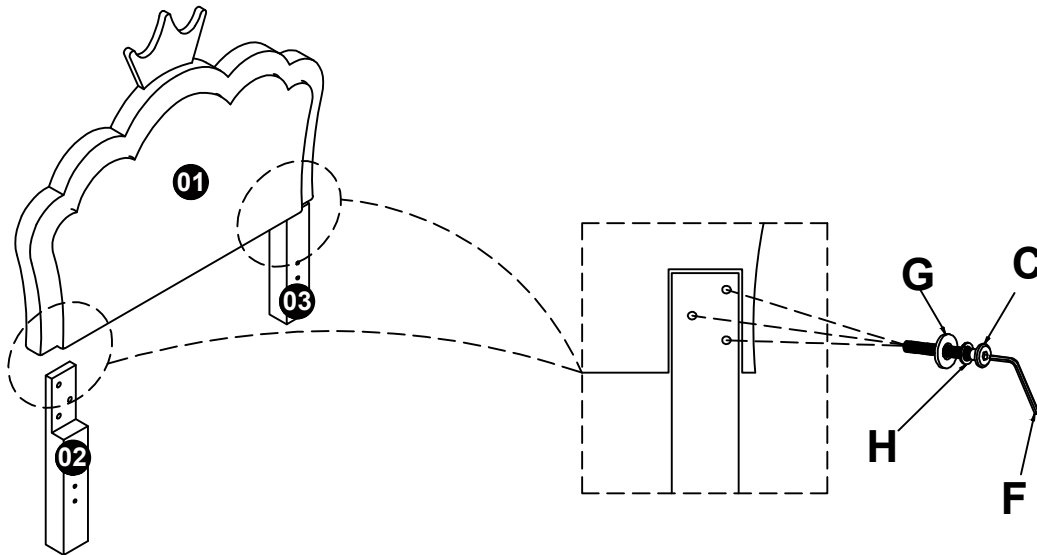
# ASSEMBLY INSTRUCTIONS





## STEP 1



<b>B</b>	<b>Bolt</b> (Ø 5/16 "X32mm)		<b>2pcs</b>	<b>G</b>	<b>Flat Washer</b> (Ø 5/16 "-RBW)		<b>2pcs</b>
<b>F</b>	<b>Allen Wrench</b> (M4x75mm x32mm)		<b>1pc</b>	<b>H</b>	<b>Spring Washer</b> (Ø 5/16 "-RBW)		<b>2pcs</b>

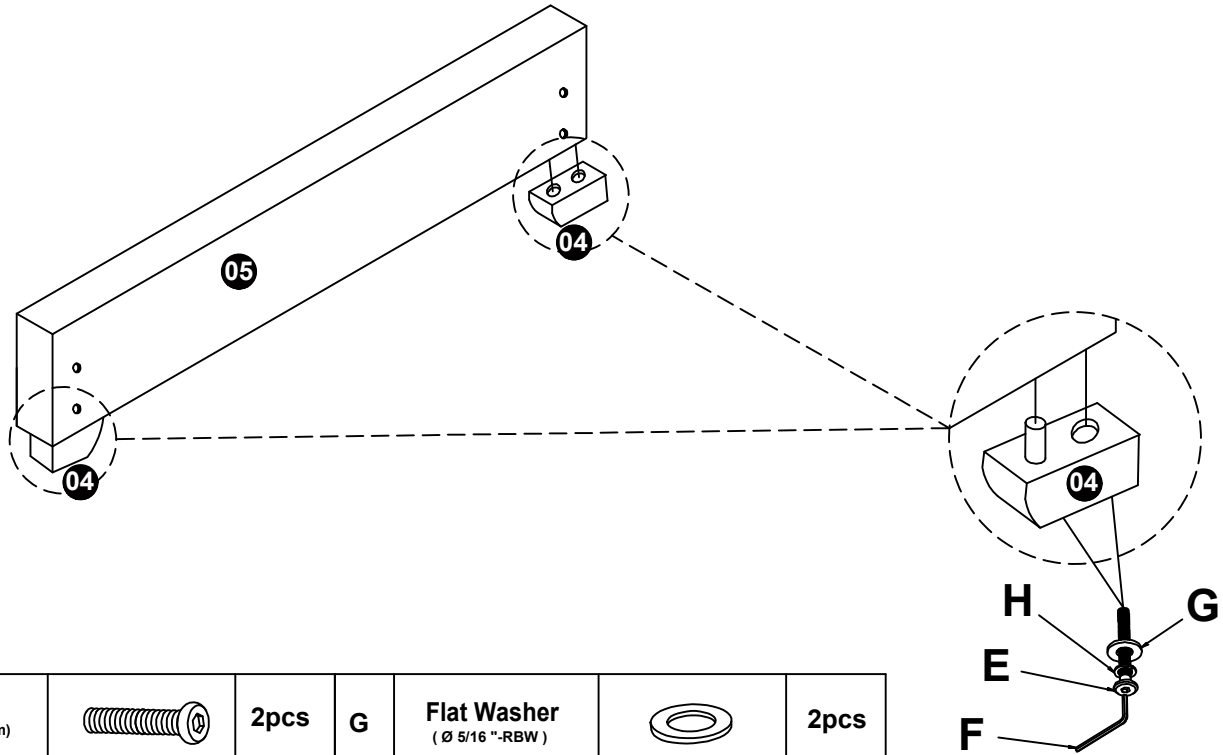
## STEP 2







<b>C</b>	<b>Bolt</b> (Ø 5/16 "X38mm)		<b>6pcs</b>	<b>G</b>	<b>Flat Washer</b> (Ø 5/16 "-RBW)		<b>6pcs</b>
<b>F</b>	<b>Allen Wrench</b> (M4x75mm x32mm)		<b>1pc</b>	<b>H</b>	<b>Spring Washer</b> (Ø 5/16 "-RBW)		<b>6pcs</b>

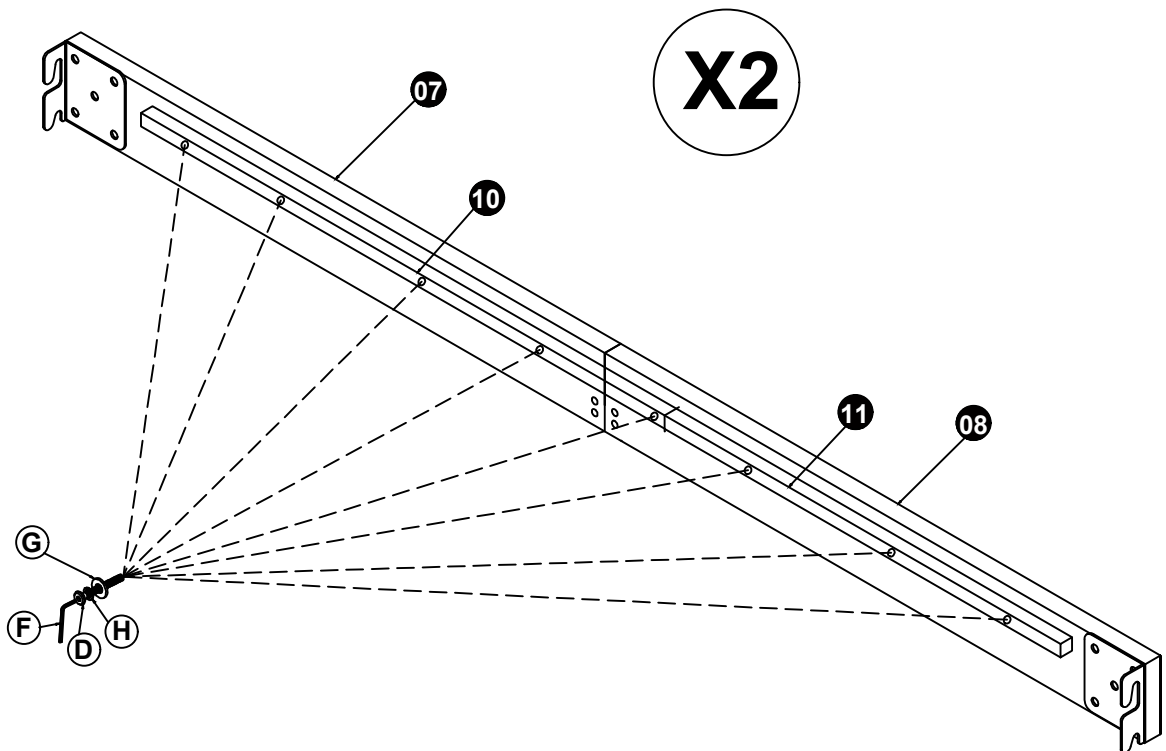
# ASSEMBLY INSTRUCTIONS





## STEP 3



E	<b>Bolt</b> (Ø 5/16 "X50mm)		2pcs	G	<b>Flat Washer</b> (Ø 5/16 "-RBW)		2pcs
F	<b>Allen Wrench</b> (M4x75mm x32mm)		1pc	H	<b>Spring Washer</b> (Ø 5/16 "-RBW)		2pcs

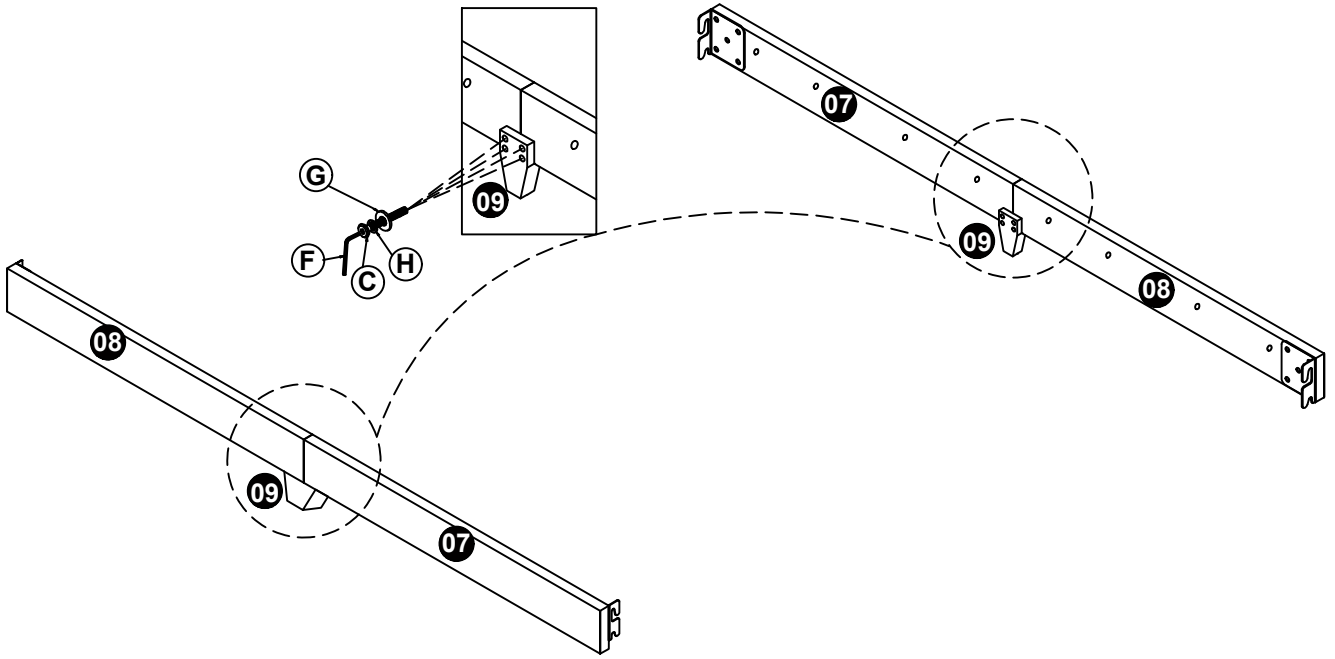
## STEP 4







D	<b>Bolt</b> (Ø 5/16 "X45mm)		16pcs	G	<b>Flat Washer</b> (Ø 5/16 "-RBW)		16pcs
F	<b>Allen Wrench</b> (M4x75mm x32mm)		1pc	H	<b>Spring Washer</b> (Ø 5/16 "-RBW)		16pcs

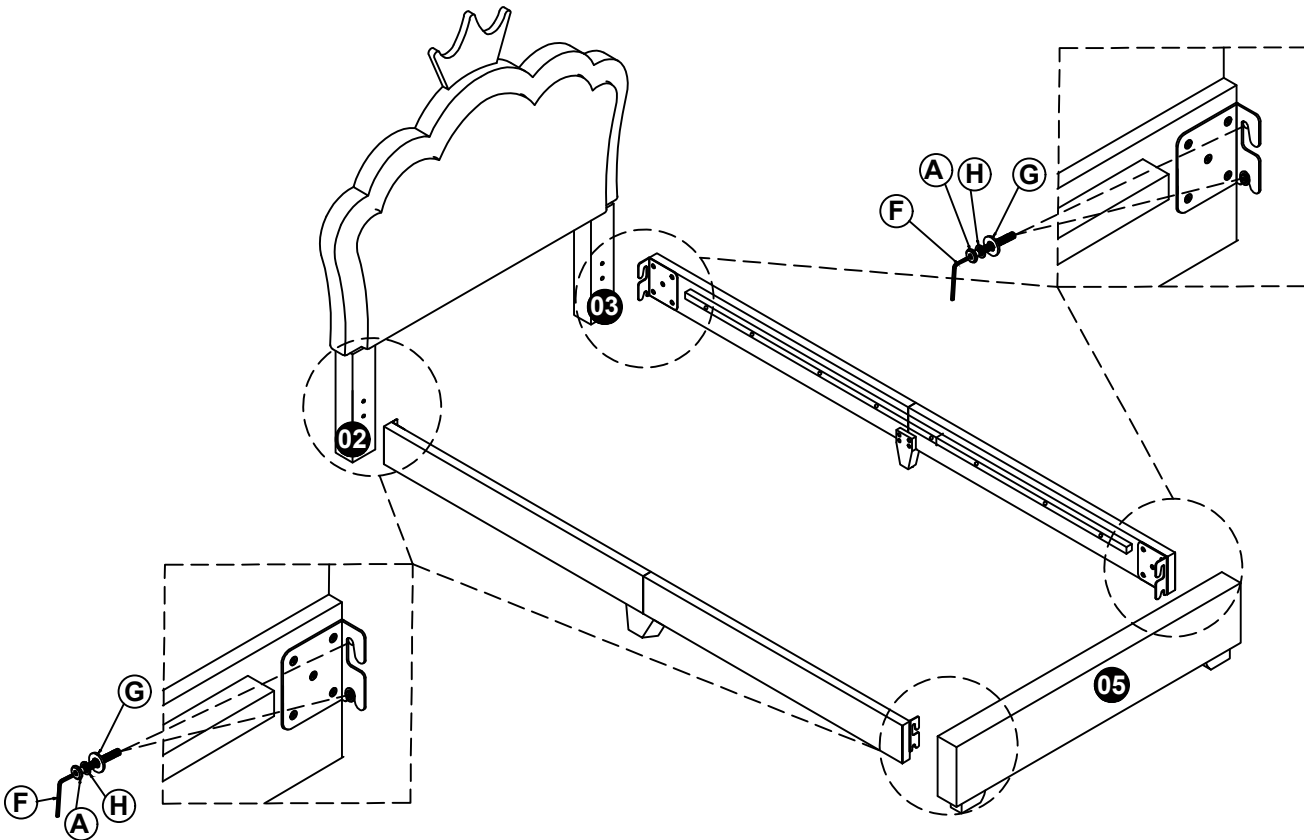
# ASSEMBLY INSTRUCTIONS





## STEP 5



C	<b>Bolt</b> (Ø 5/16 "X38mm)		8pcs	G	<b>Flat Washer</b> (Ø 5/16 "-RBW)		8pcs
F	<b>Allen Wrench</b> (M4x75mm x32mm)		1pc	H	<b>Spring Washer</b> (Ø 5/16 "-RBW)		8pcs

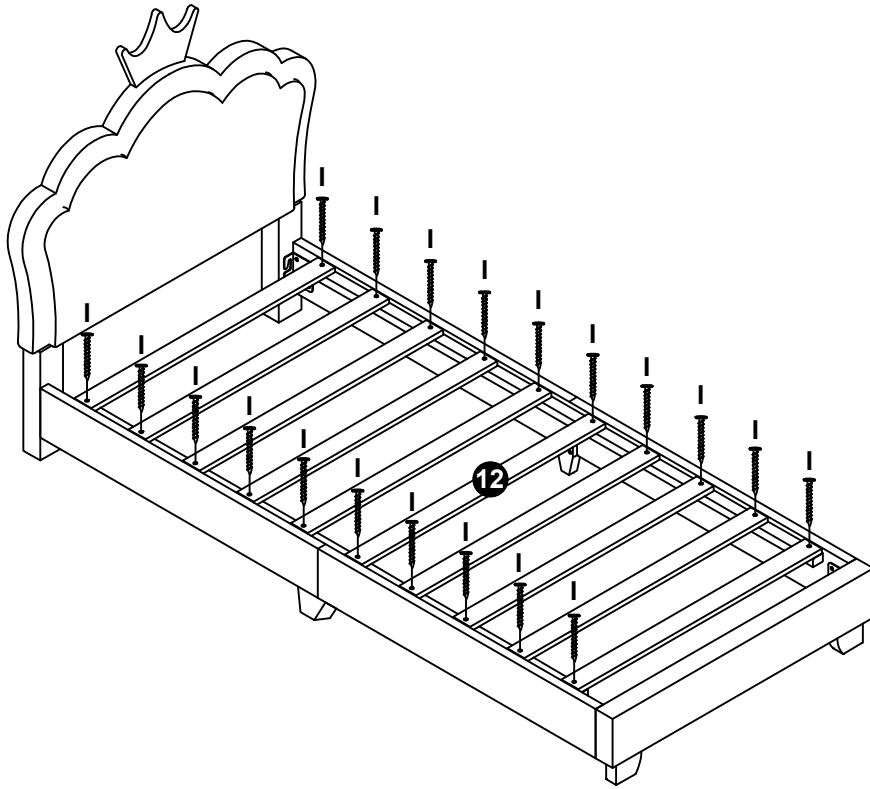
## STEP 6

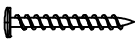


A	<b>Bolt</b> (Ø 5/16 "X25mm)		8pcs	G	<b>Flat Washer</b> (Ø 5/16 "-RBW)		8pcs
F	<b>Allen Wrench</b> (M4x75mm x32mm)		1pc	H	<b>Spring Washer</b> (Ø 5/16 "-RBW)		8pcs

# ASSEMBLY INSTRUCTIONS

## STEP 7



1	Flat Head Screw (m4x30mm-RBW)		20pcs
---	----------------------------------	---	-------

## STEP 8 COMPLETE

