
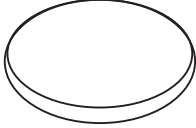





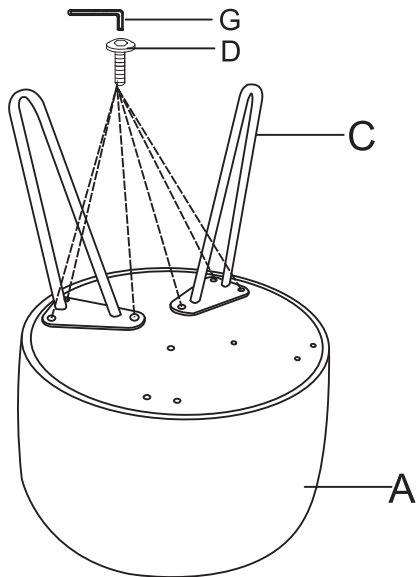
ASSEMBLY INSTRUCTION

PART LIST

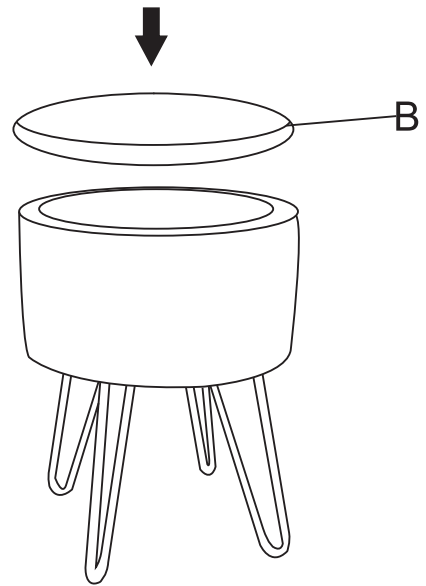
A  seat 1 pc	B  pad 1 pc	C  leg 4 pcs	D  M6x18mm bolt 12 pcs
E  Allen key 1 pc			

ASSEMBLY

STEP 1



STEP 2



FINISH

