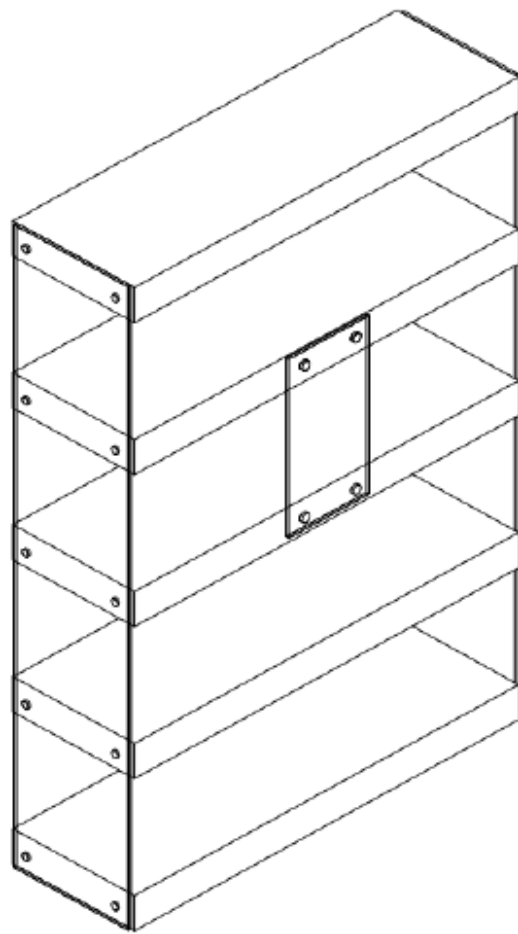


## Assembly Instructions





A x24  
Spec: #8x11



B x24  
Spec: #25x8



C x24  
Spec: #10x18



D x20  
Spec: #12x#10x11



E x14  
Spec: #12x#10x7



F x1  
Spec: 5#

