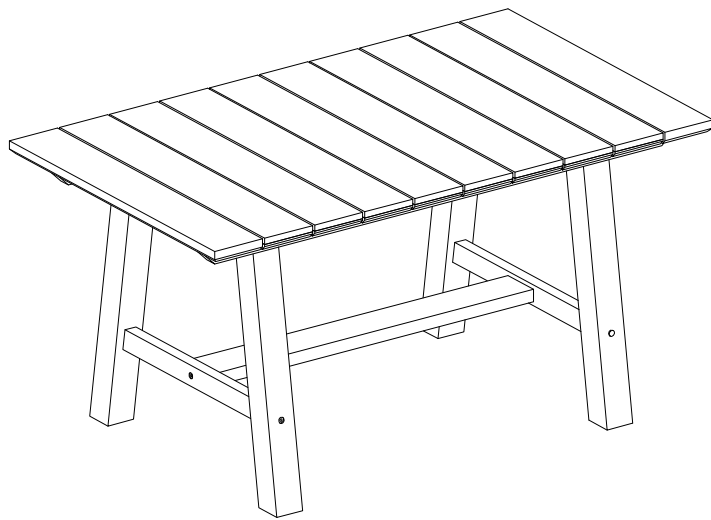


Instruction Manual

136cm Rectangular Dining Table, Brushed Light Acacia



CONTENTS

Safety and care advice	1
Components	2
Assembly instructions	4
Copyright	8



⚠ SAFETY AND CARE ADVICE ⚠

PLEASE READ THESE INSTRUCTIONS CAREFULLY AND KEEP FOR FUTURE REFERENCE

- **Warning:** Please lift with care.
- Check you have all the components and tools listed on pages 2 and 3.
- Remove all fittings from the plastic bags and separate them into their groups.
- Keep children and animals away from the work area, small parts could choke if swallowed.
- Make sure you have enough space to lay out the parts before starting.
- Do not stand or put weight on the product, this could cause damage.
- Assemble the item as close to its final position (in the same room) as possible.
- Assemble on a soft level surface to avoid damaging the unit or your floor (use opened out unit carton).



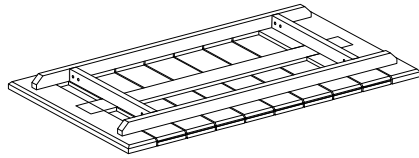
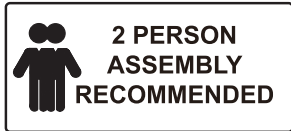
- We do not recommend the use of power drill/drivers **for inserting screws**, as this could damage the unit. Only use hand screwdrivers.
- Dispose of all packaging carefully and responsibly.

CARE AND MAINTENANCE

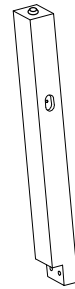
- Only clean using a damp cloth and mild detergent, do not use bleach or abrasive cleaners.
 - From time to time check that there are no loose screws on this unit.
 - This product should not be discarded with household waste. Take to your local authority waste disposal center.
- Note** *If required the next page can be cut out and used as reference throughout the assembly. Keep this page with these instructions for future reference.*

COMPONENTS

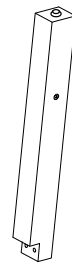
Please check you have all the panels listed below:



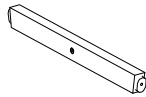
① X1



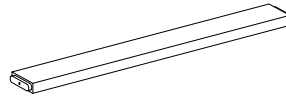
② X2



③ X2



④ X2



⑤ X1

1. Table Top	x 1	4. Side Stretcher	x 2
2. Leg 1	x 2	5. Middle Stretcher	x 1
3. Leg 2	x 2		

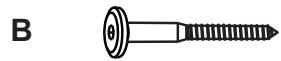


COMPONENTS

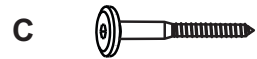
Please check you have all the fittings listed below:



Bolt (Φ8x60mm) x 8



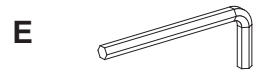
Screw (Φ7x90mm) x 4



Screw (Φ7x60mm) x 2



Nut (Φ8x15mm) x 8



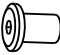



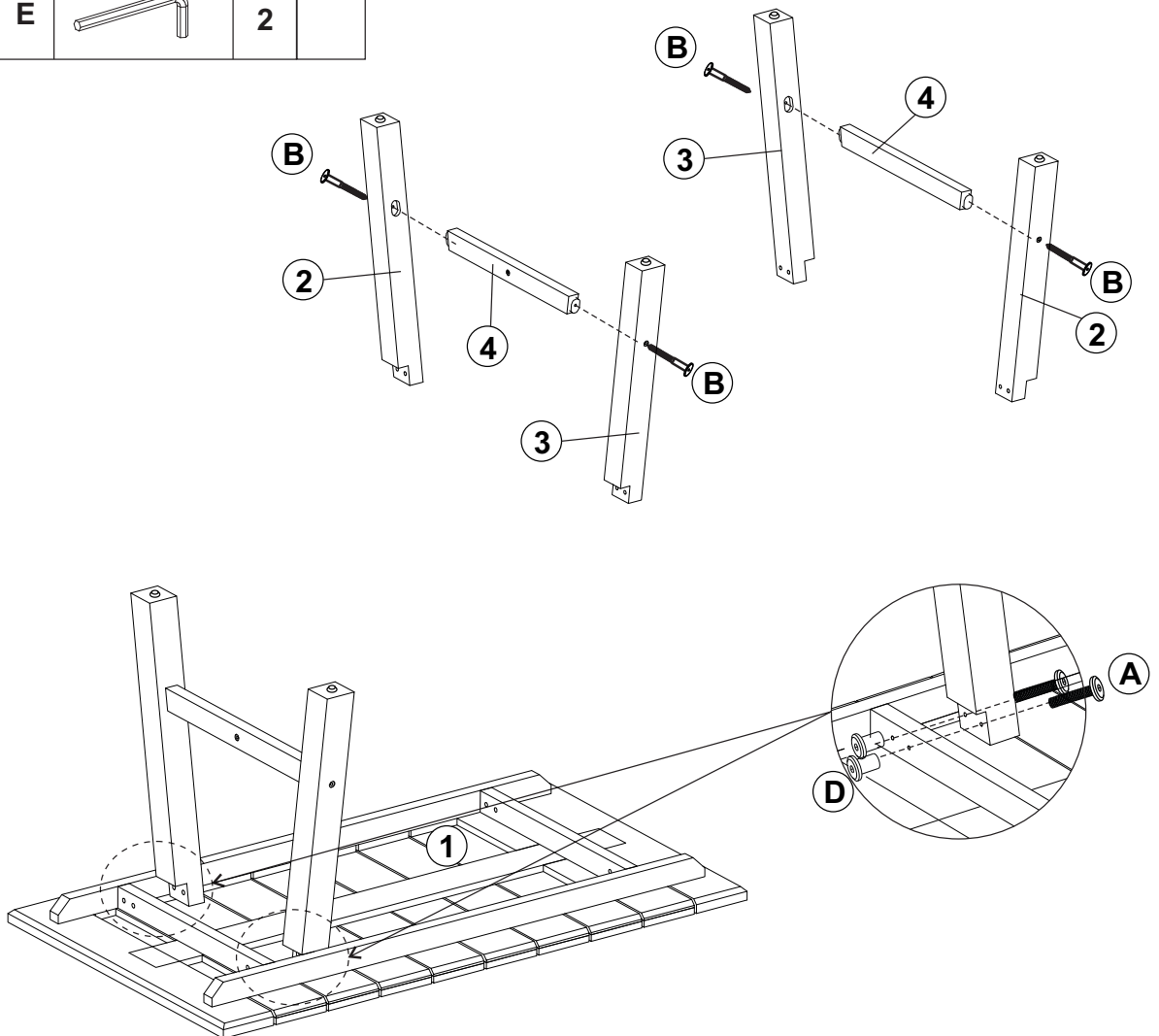
Allen key x 2



ASSEMBLY INSTRUCTIONS



Step 1

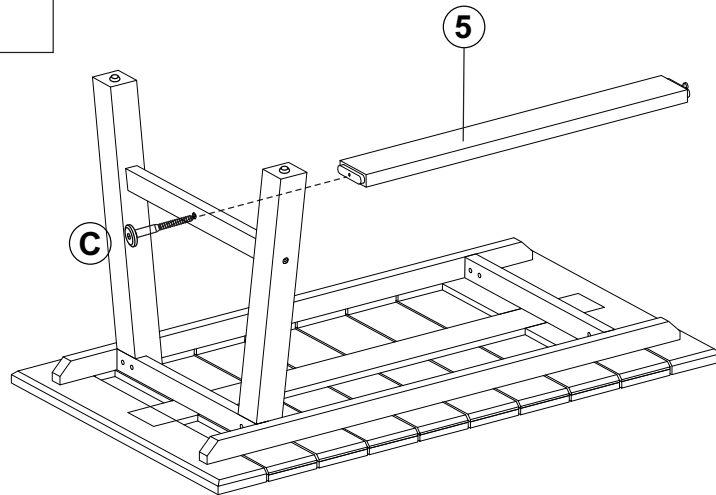
A		4
B		4
D		4
E		2





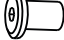

ASSEMBLY INSTRUCTIONS

Step 2

C		1	
E		1	



Step 3

A		4	
C		1	
D		4	
E		2	

