












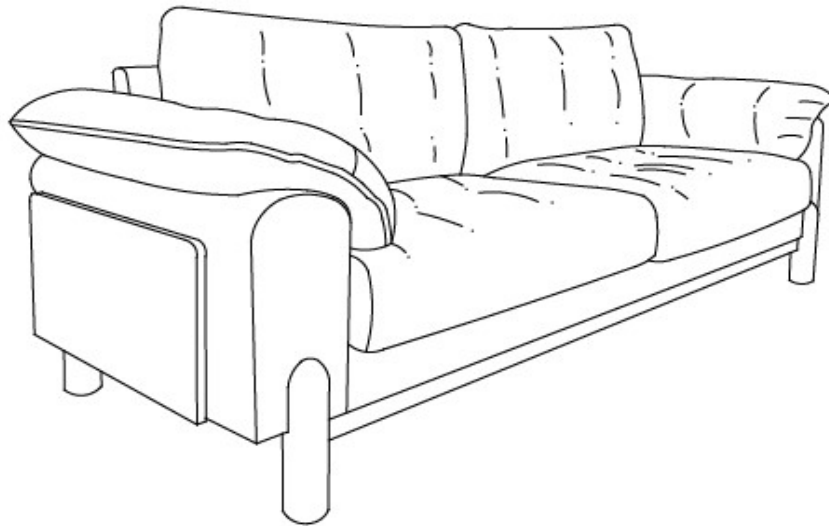
# Assembly Instructions

**Caution: You must read this before you proceed**

## Care & Maintenance

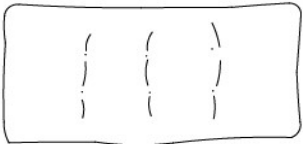


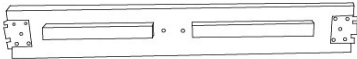
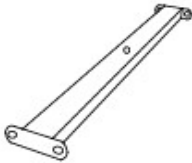



- ⊘  ● Not for commercial use. For residential use only.
  - ✓  ● Furniture may scratch floors. We recommend using furniture pads to protect your floors.
  - ⊘  ● Do not put hot items directly on furniture surface.
  - ⊘  ● Do not clean furniture with harsh cleansers or polish.
  - ⊘  ● Do not place furniture under direct sunlight.
  - ⊘  ● Do not place furniture near heating or cooling vents.
  - ⊘  ● Do not write on furniture without a padded barrier to protect the surface.
  - ⊘  ● Do not place furniture outside . For indoor use only.
  - ⊘  ● Stains may be removed with mild soap solution and damp cloth.
  - ⊘  ● Children should not climb or jump on the furniture.
- 
- ✓  ● Dust and pick-up spills using a clean, non-colored, lint-free cloth.

# SOFA

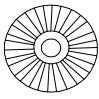







## **Parts List**

Label	Picture	Description	QTY
A	A line drawing of a rectangular seat panel with a small semi-circular cutout at the bottom center.	Seat Panel	1
B	A line drawing of a rectangular backrest with two vertical sections and a small latch or hinge on the right side.	Backrest	1
C	A line drawing of a rectangular seat cushion with a tufted top surface.	Seat Cushion	2

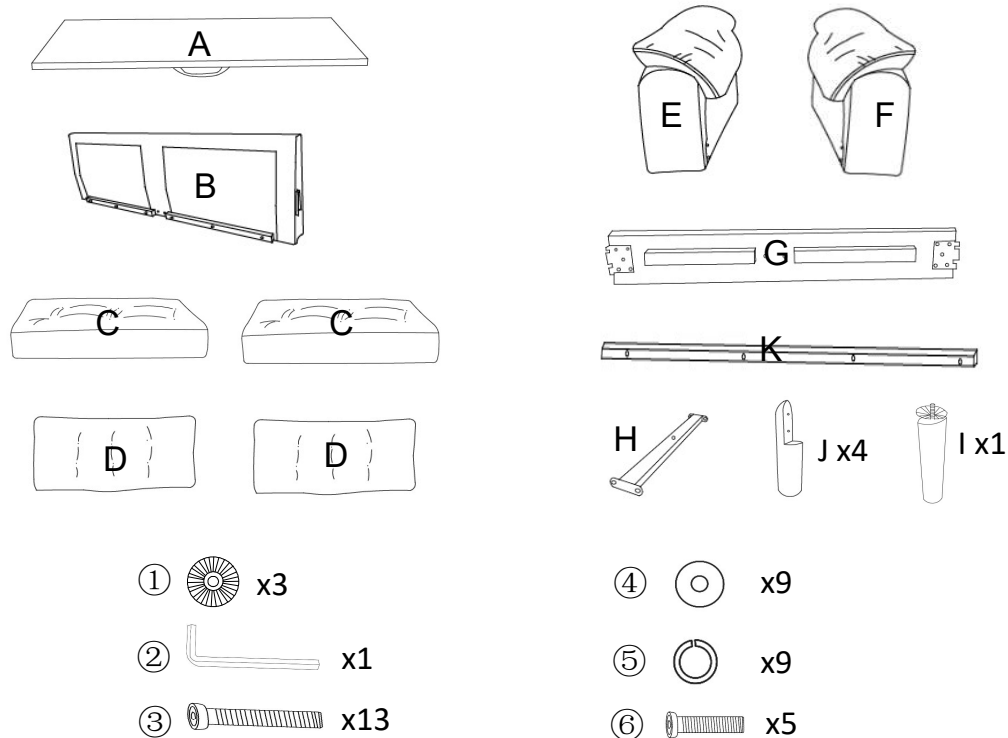
D		Back Cushion	2
E		Left Arm	1
F		Right Arm	1
G		Front Seat Board	1
H		Crosspiece	1
I		Middle Leg(With Plastic Gasket)	1
J		Wooden Leg	4
K		Decorative Wooden Strips	1

## Hardware List

Label	Picture	Description	QTY
①		Extra Gaskets (available for Sofa Unevenness/Wobbles Adjustments)	3
②		Allen Wrench	1
③		Bolt(M6*45mm)	13
④		Washer	9
⑤		Spring Washer	9
⑥		Bolt(M6*20mm)	5

## Assembly Preparation

Before  
Beginning  
Assembly:





- Read instructions, cover to cover-



- Have 2 adults on hand for assembly-



- Do not assemble on flooring or carpet-



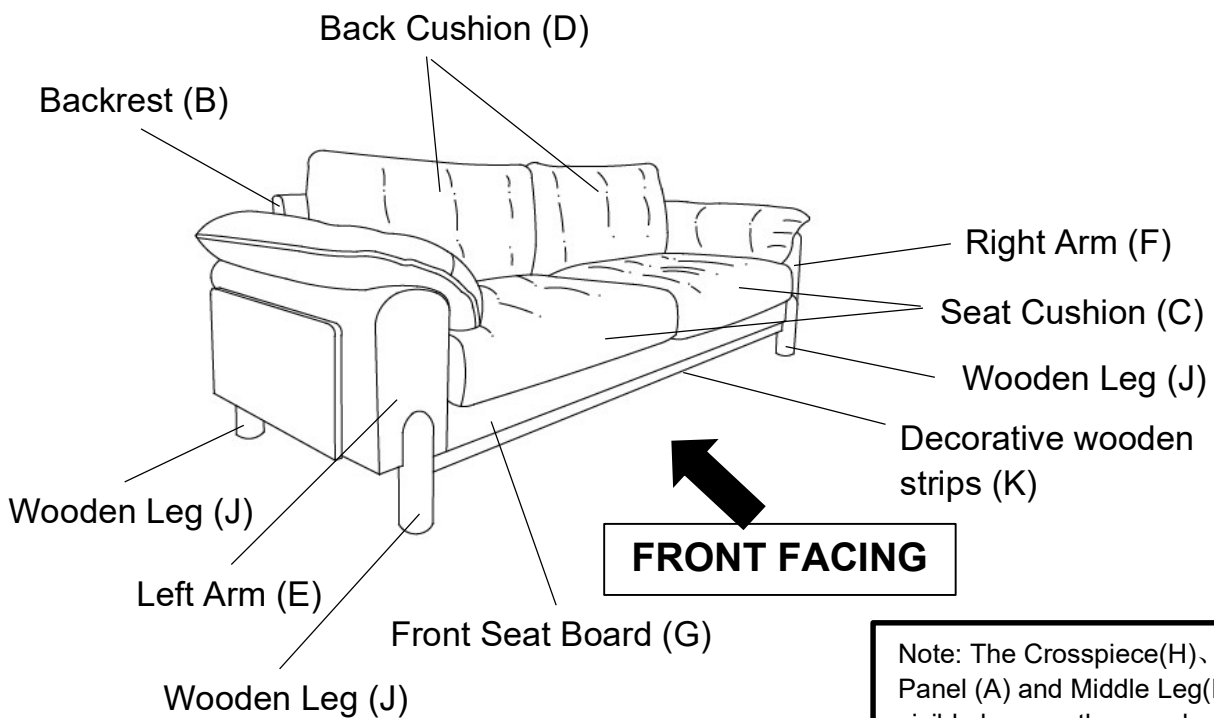
- Assemble on a clean non-marring surface (packing foam)-



- Save all packaging until finished-

## Assembly Steps

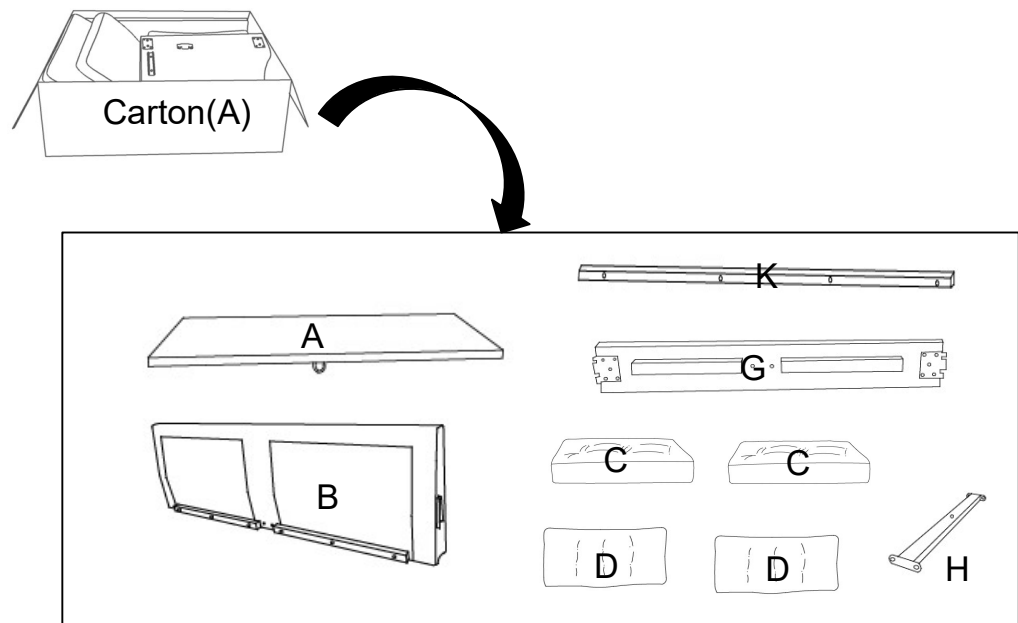
### Overview



Note: The Crosspiece(H)、 Seat Panel (A) and Middle Leg(I) are not visible here as they are located beneath the seat (F)

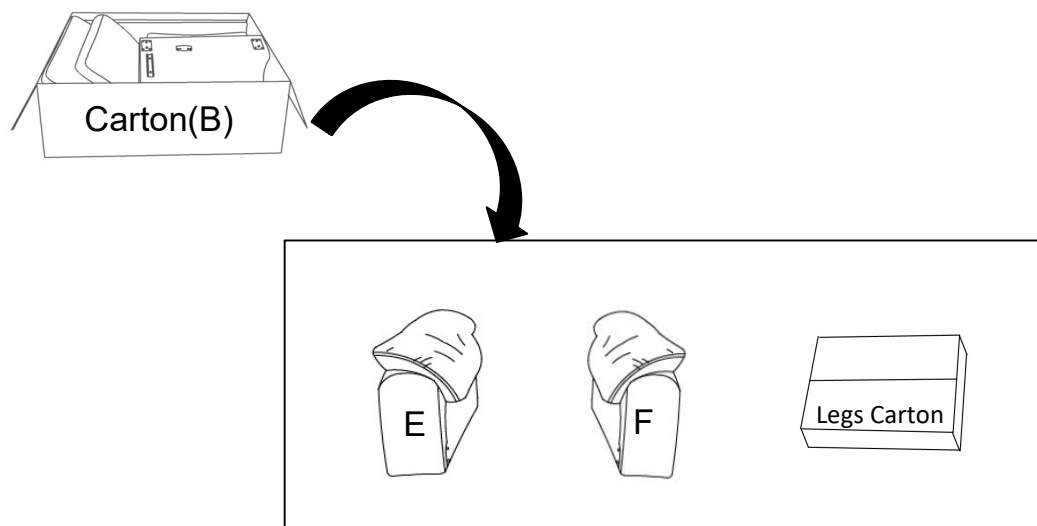
This SOFA has multiple parts and may require about 30 minutes to assemble. To give you an overview of the SOFA parts, the above picture is to help you put the various parts into perspective. Please read through the instructions below to familiarise yourself with the parts and steps before assembly.

## Step 1



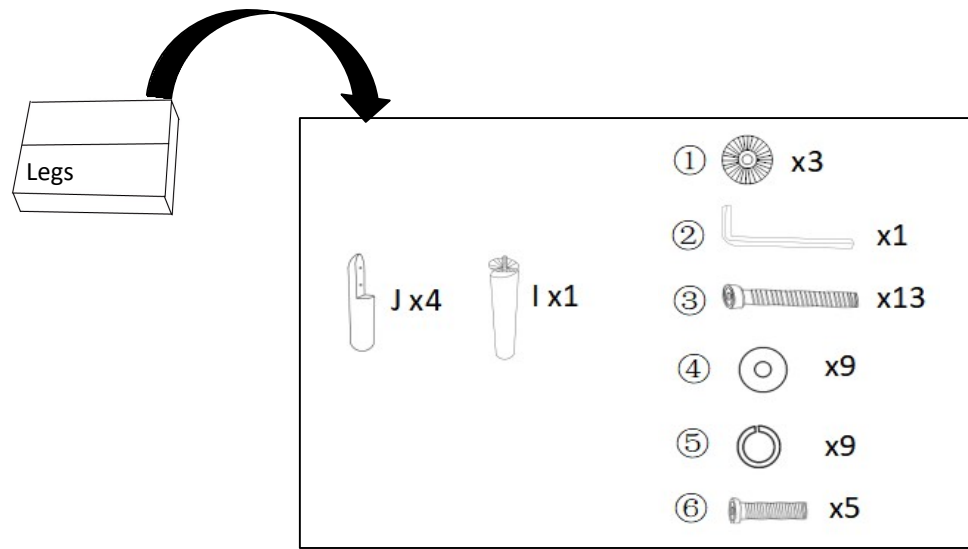
Take the Seat Panel(A), Backrest(B), Seat Cushion(C), Back Cushion(D), Front Seat Board(G), Crosspiece(H), Decorative Wooden Strips(K) out of the carton and place them on a clean, non-marring surface.

## Step 2



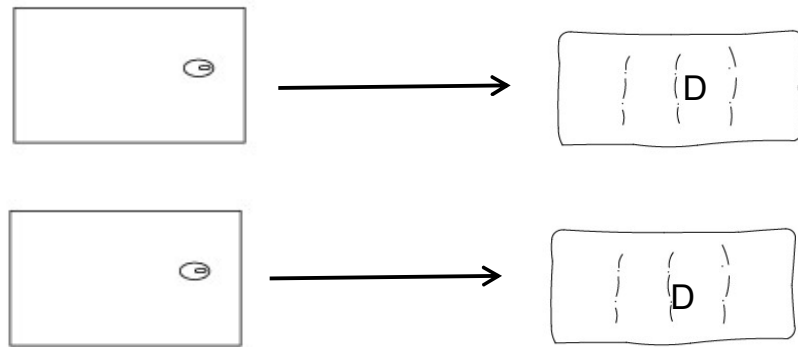
Take the Left Arm(E), Right Arm(F) And Small Box out of the carton and place them on a clean, non-marring surface.

### Step 3



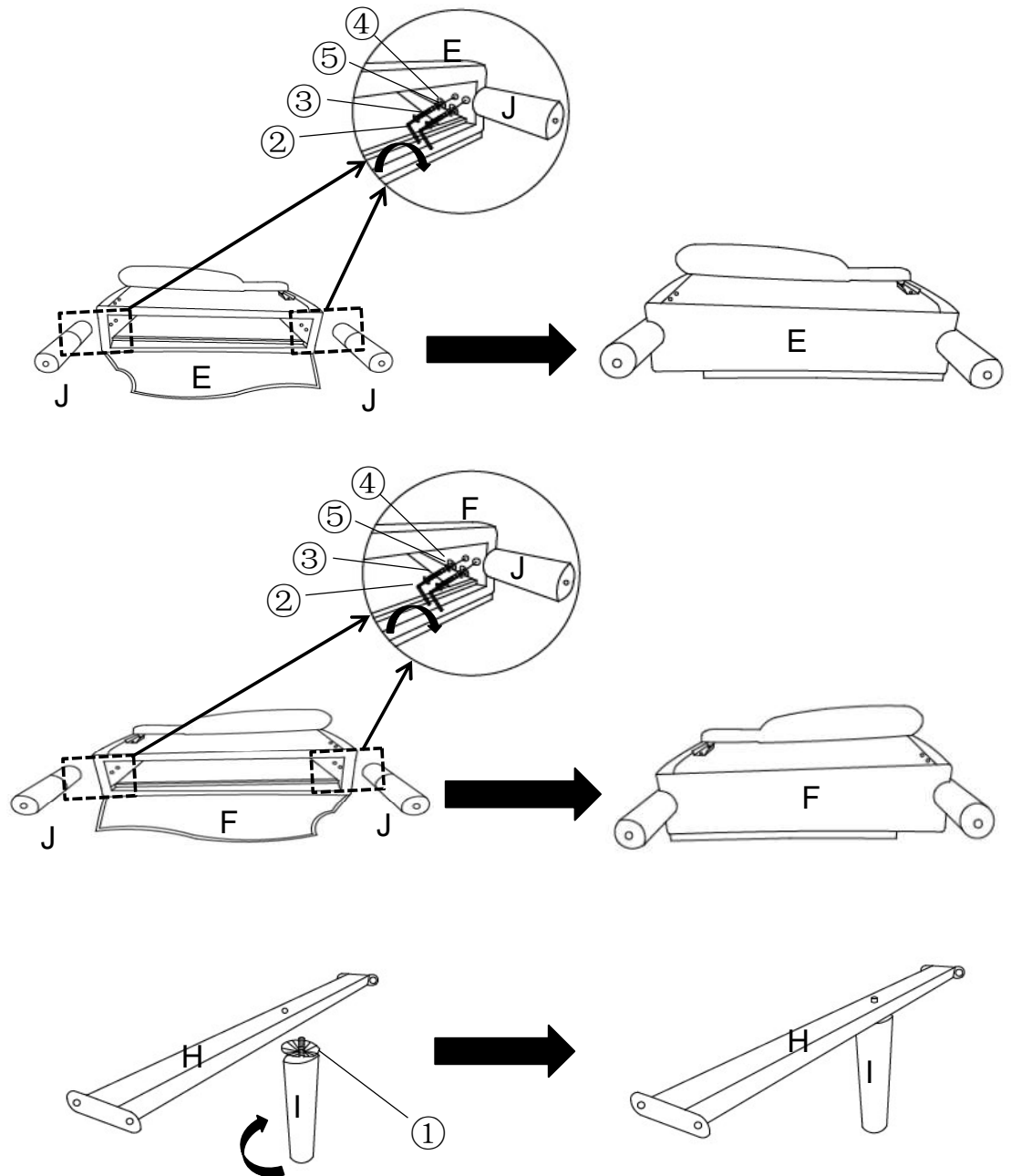
Open the Small Box to take out the Wooden Legs(J), Middle Leg(I), and hardware packs.

### Step 4



Open the Vacuum Bags to take out the Back Cushion(D). Place them on a clear surface and waiting for nex steps.

## Step 5



Invert the Arm(E & F) and place it on a clean ground.

Open the non-woven fabric at the bottom of the arm, place the Wooden Legs(J) in the same position as shown in the picture.

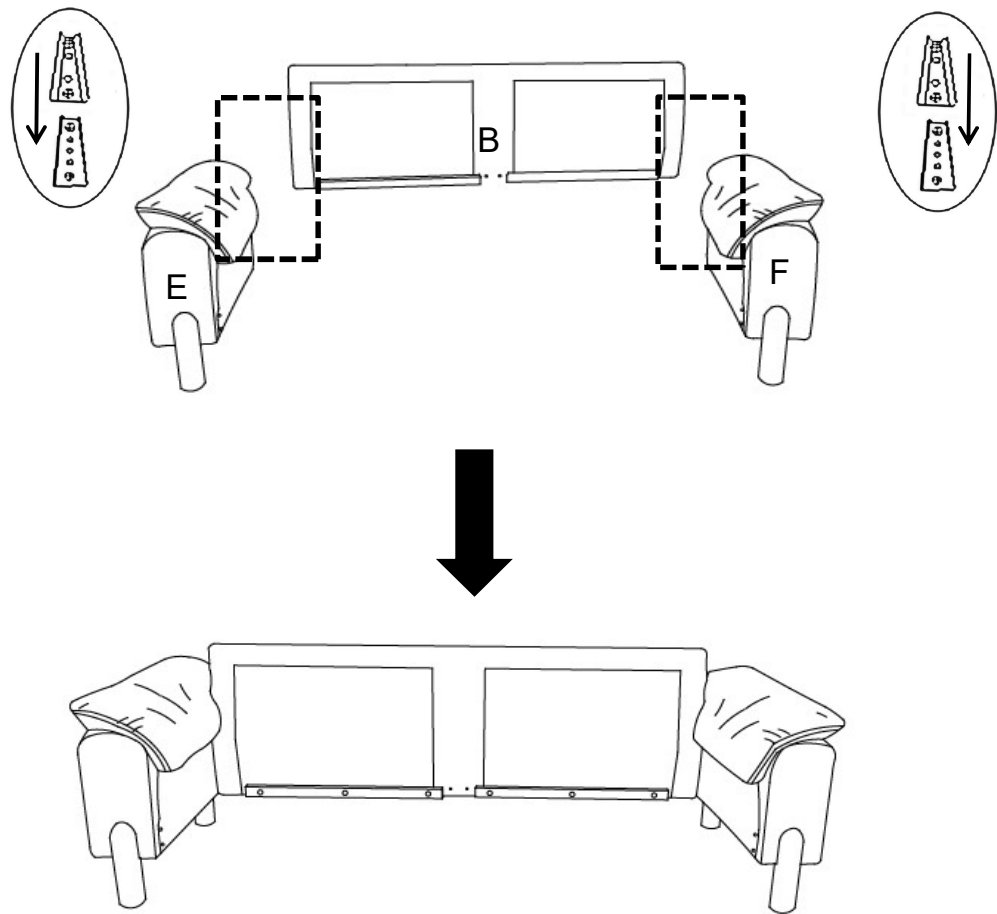
Attach the Wooden Legs(J) to the Arm(E & F) using Bolts(3), Spring Washers(5) and Washers(4) with the Allen Wrench(2).

Install the Legs(I) at the bottom of the Crosspiece(H) by placing one Gasket(1) on the threaded stem.

Tighten by turning the Leg clockwise.

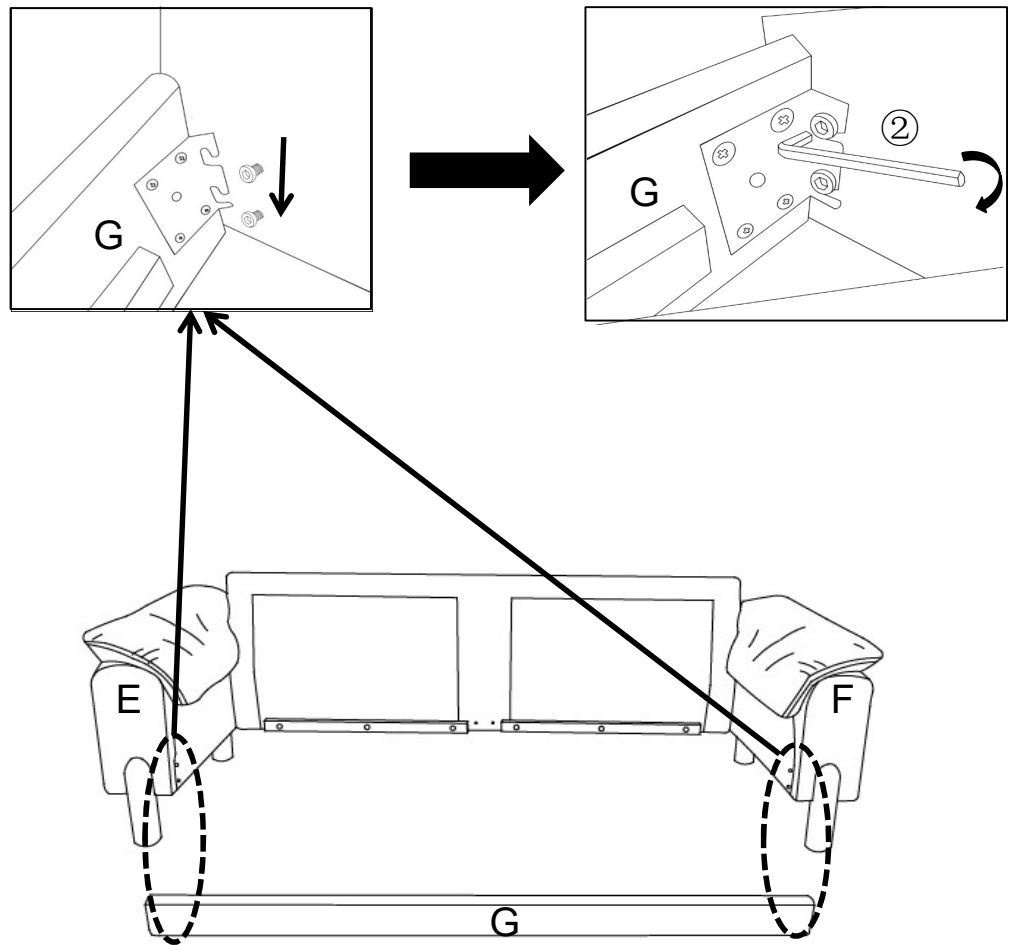
**Note: The use of Gaskets are OPTIONAL and are especially useful to help alleviate slight wobbles. Some Legs may need more than one gasket whilst some Legs may not need any.**

## Step 6



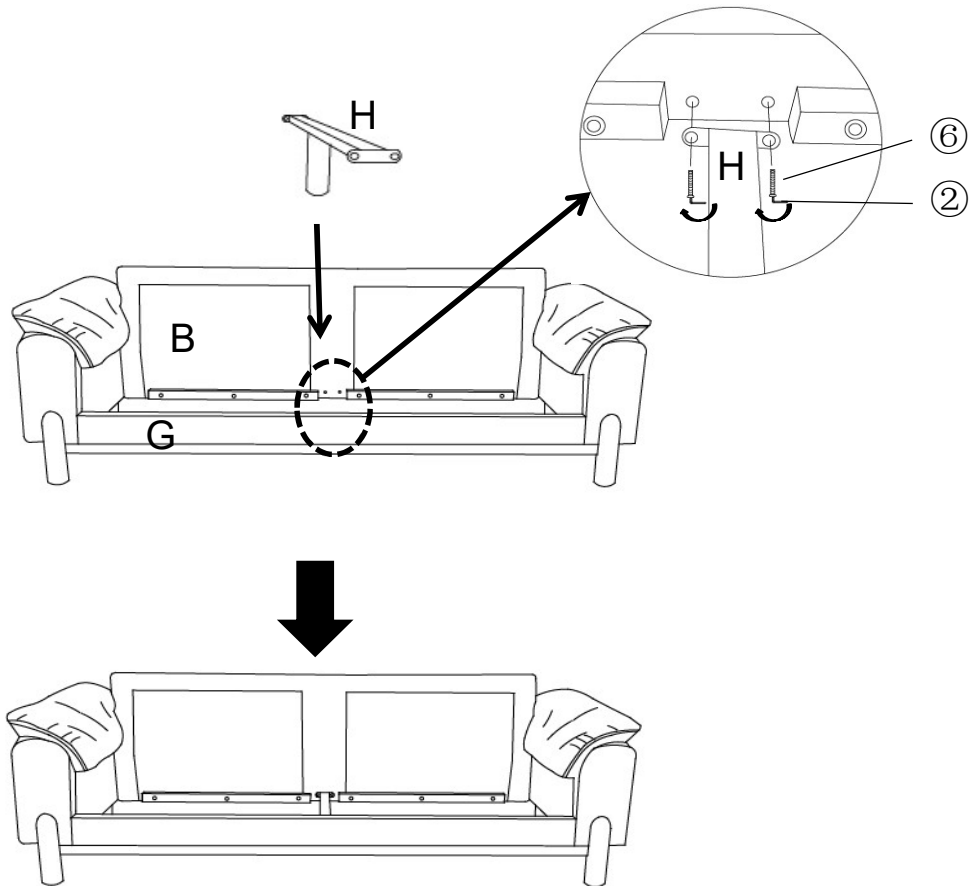
With assistance from your adult partner, hold up the Backrest(B).  
Align the mounting brackets on both sides of the Backrest(B) with those on the Left Arm(E) and Right Arm(F).  
Then slide Backrest(B) downward by hand to make sure it locks into place as pictured.

## Step 7



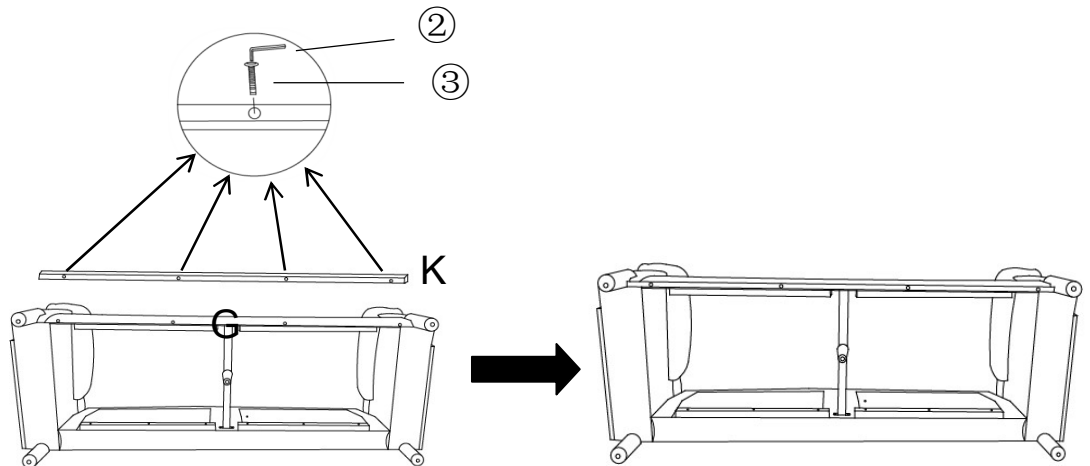
Lift the Front Seat Board(G) and align it with the Left and Right Arm(E&F). Hang the metal hooks of the Front Seat Board(G) on the screws on the Left and Right Arm(E&F), and tighten the handrail screws with Allen Wrench(②).

## Step 8



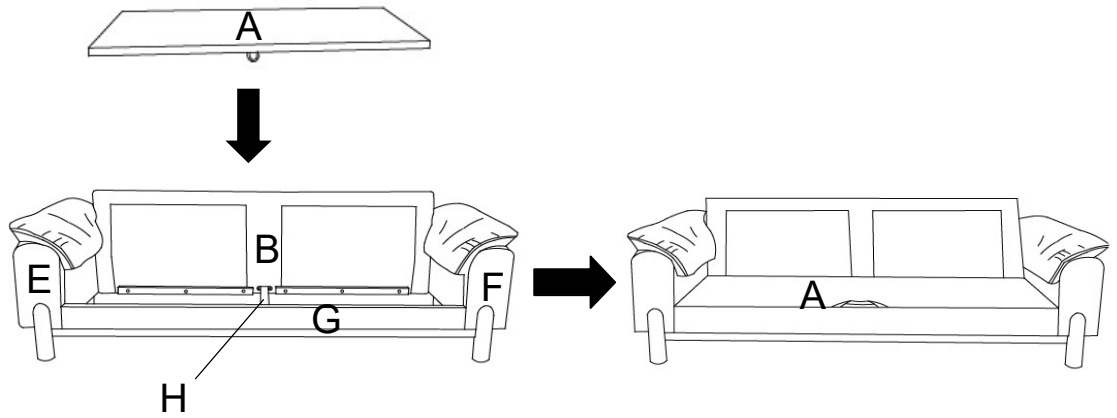
Place the Crosspiece(H) between the Backrest(B) and Front Seat Board(G). Align it with the hole, and connect it with 4 Bolts(6) with Allen Wrench(2).

## Step 9



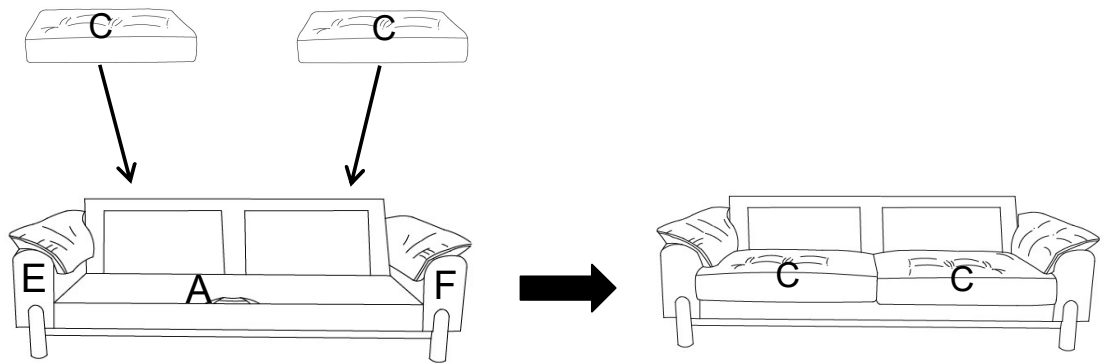
Invert the Sofa and place it on a clean ground.  
Place the Decorative Wooden Strips(K) at the bottom of Front Seat Board(G) as shown in the picture,  
Attach the Decorative Wooden Strips(K) to the Front Seat Board(G) using 4 Bolts(3) with the Allen Wrench(2).

### Step 10



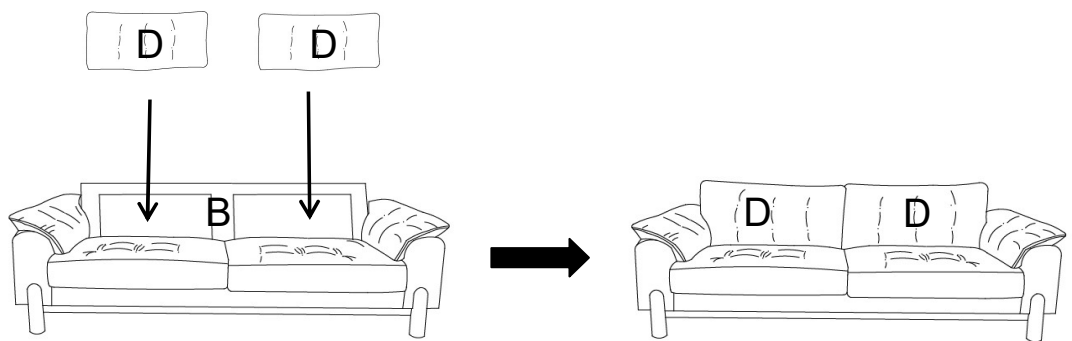
Hold up the Seat Panel(A) and align it to the SOFA

### Step 11



Put the Seat Cushions(C) on the Seat Panel(A).

### Step 12



Place Back Cushion(D) on the Backrest(B).  
Your SOFA is ready for use.

**This SOFA can only be used on a flat, level surface.**