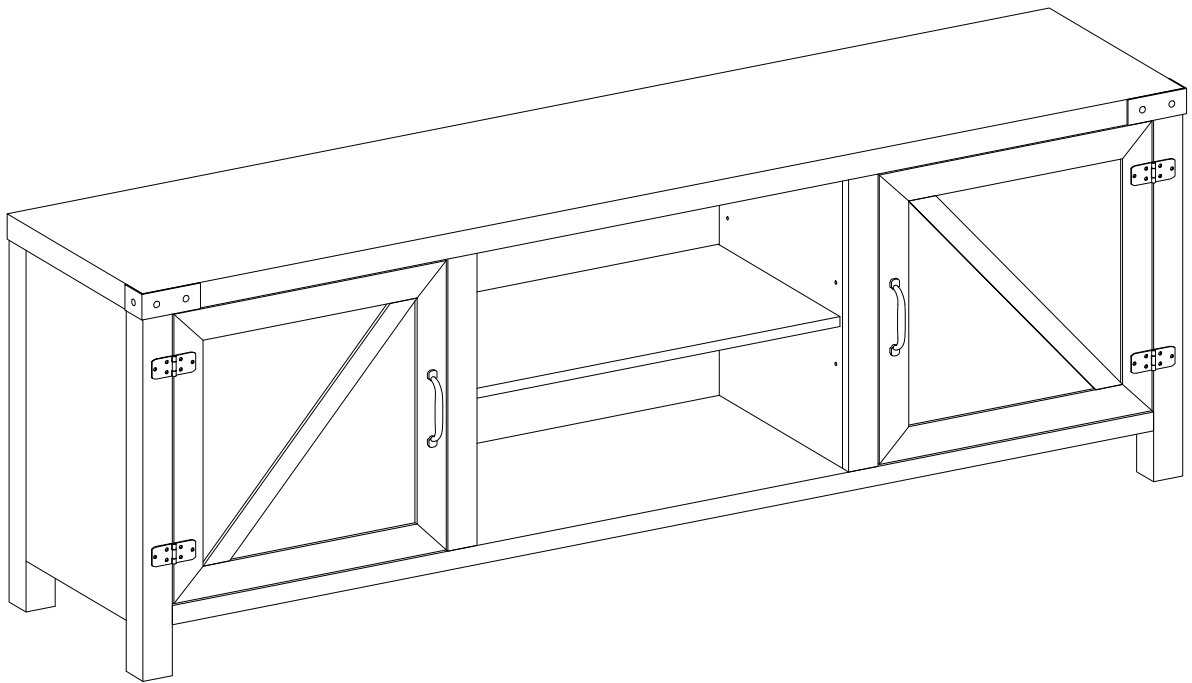
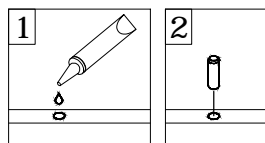


Assembly Instructions

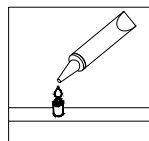


General Assembly Guidelines

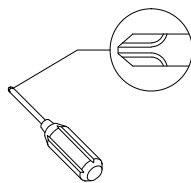
- I. Ensure that all parts and hardware are available before beginning assembly.
- II. Follow each step carefully to ensure the proper assembly of this product.
- III. Two people are recommended for ease in the assembly of this product.
- IV. The three main types of hardware used to assemble this product are: wood dowels, screws and bolts.
- V. The provided glue is to secure wood dowels in place. When first inserting dowels, locate the appropriate hole for the dowel, place a small amount of glue in the hole and insert the dowel. Wipe away excess glue immediately.



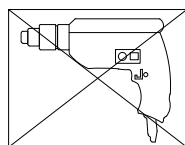
In future assembly steps when dowels are necessary to attach assembly parts together, place a small amount of glue on the end of the dowel before attaching parts together. Wipe away excess glue immediately.



- VI. A Phillips head screwdriver is required for the assembly of this product .

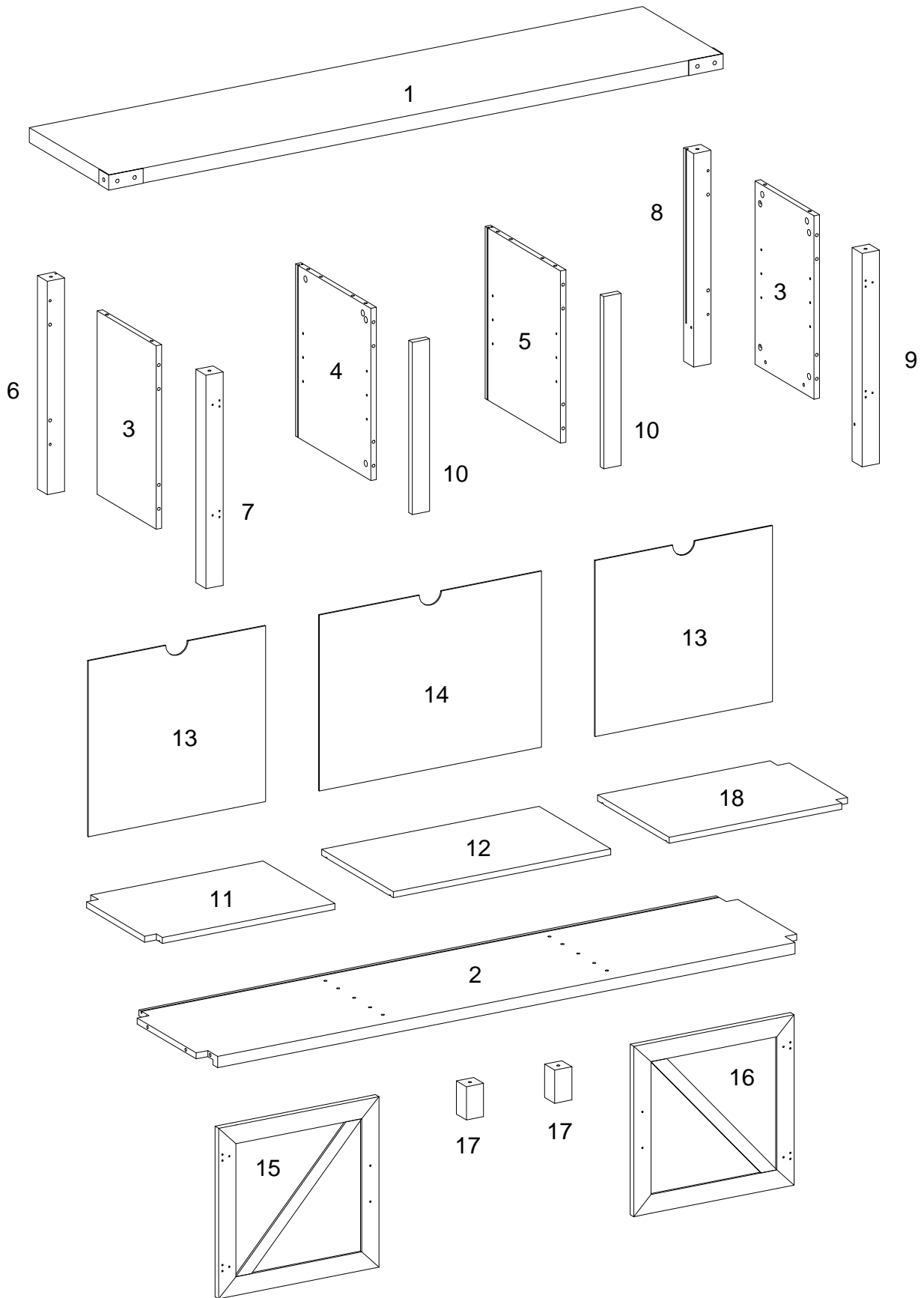


- VII. Power tools should not be used to assemble this product.





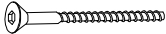


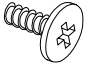


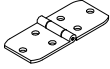
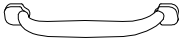

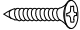
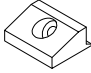

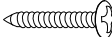


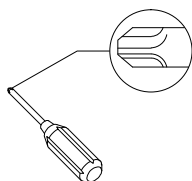
- VIII. Drill may be needed for securing product to wall.

Parts List



Hardware List

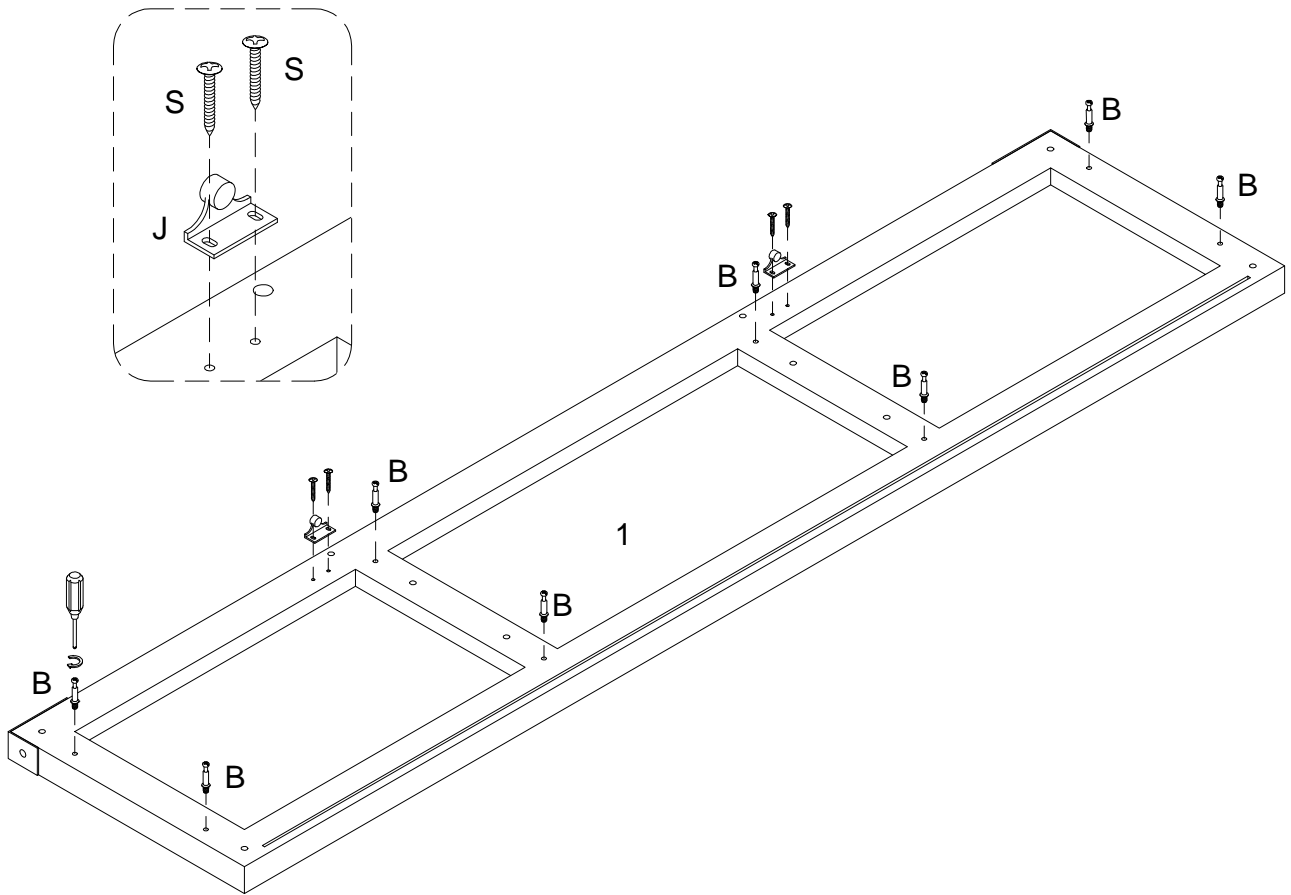
A		Ø8x30mm	Wooden dowel	28 pcs
B		Ø6x35mm	Cam bolt	24 pcs
C		Ø15x11mm	Cam lock	24 pcs
D		Ø30mm	Sticker	24 pcs
E		Ø6x50mm	Bolt	6 pcs
F		M 4	Hex Key	1 pc
G		Ø8x5x16mm	Shelf support pin	12 pcs
H			Bolt	2 pcs
J			Door stopper	2 pcs
K		Ø3x12mm	Screw	24 pcs
L			Hinge	4 pcs
M			Handle	2 pcs
N		5/32x22mm	Handle Bolt	4 pcs
P		Ø3x17mm	Screw	12 pcs
Q			Plastic wedge	12 pcs
R			Glue tube	1 pc
S		Ø3x15mm	Screw	4 pcs



Philips head screwdriver required for assembly
(not included)

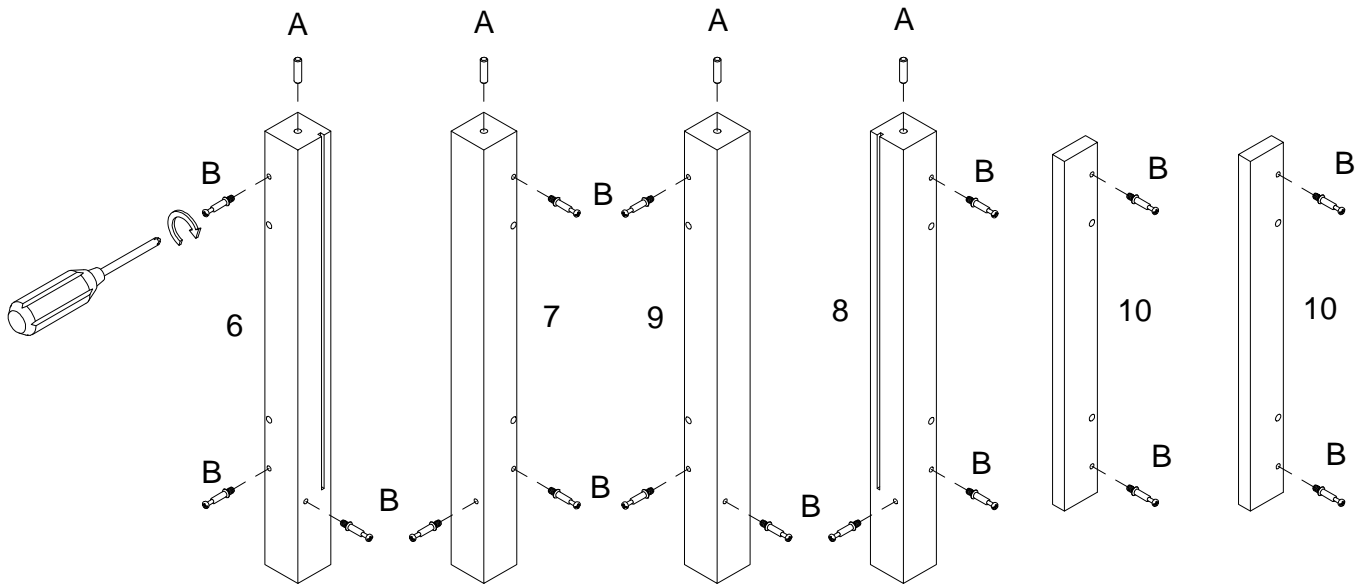
*The hardware quantities listed above are required for proper assembly.
Some extra hardware may also have been included.*

Step 1



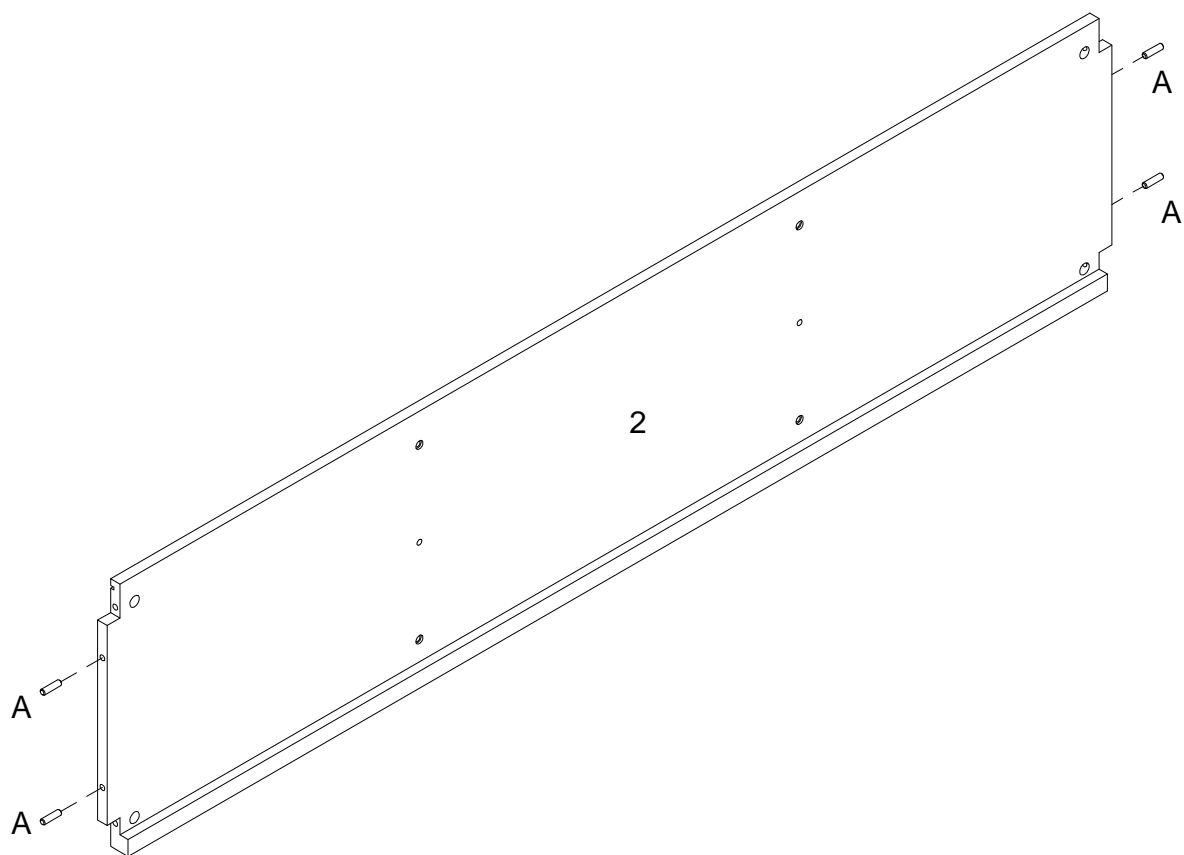
Secure the Door Stopper (J) with Screw (S) and cam bolt (B) to the Top Panel (1)

Step 2



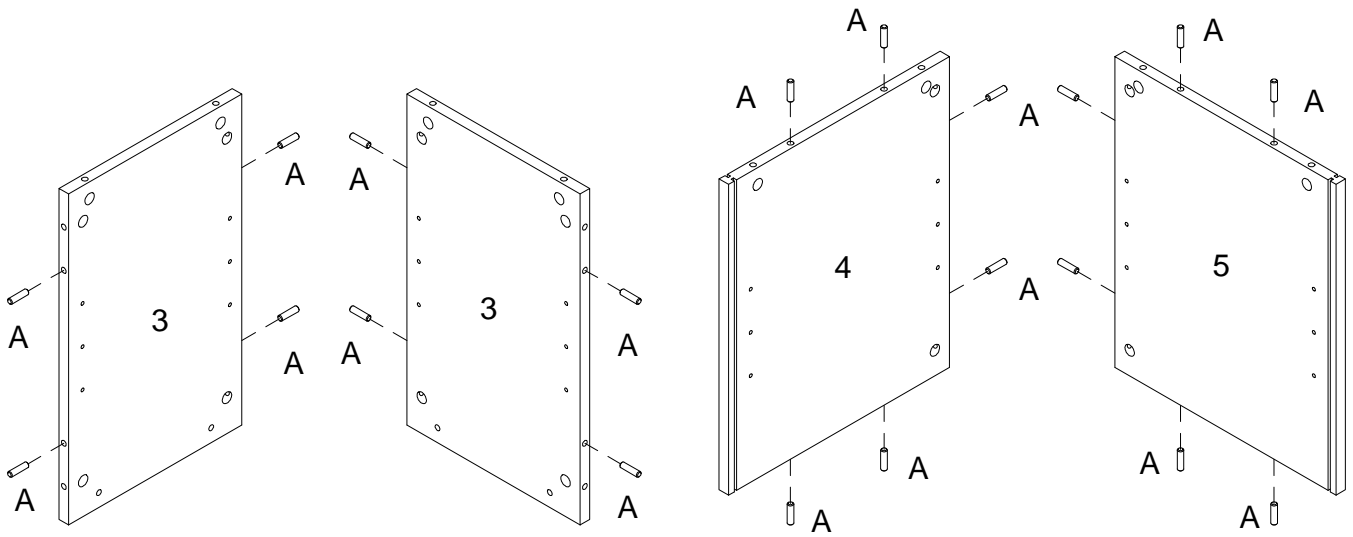
Secure cam bolt (B) with screwdriver into part (6,7,8,9,10), insert wooden dowel (A) into part (6,7,8,9)

Step 3



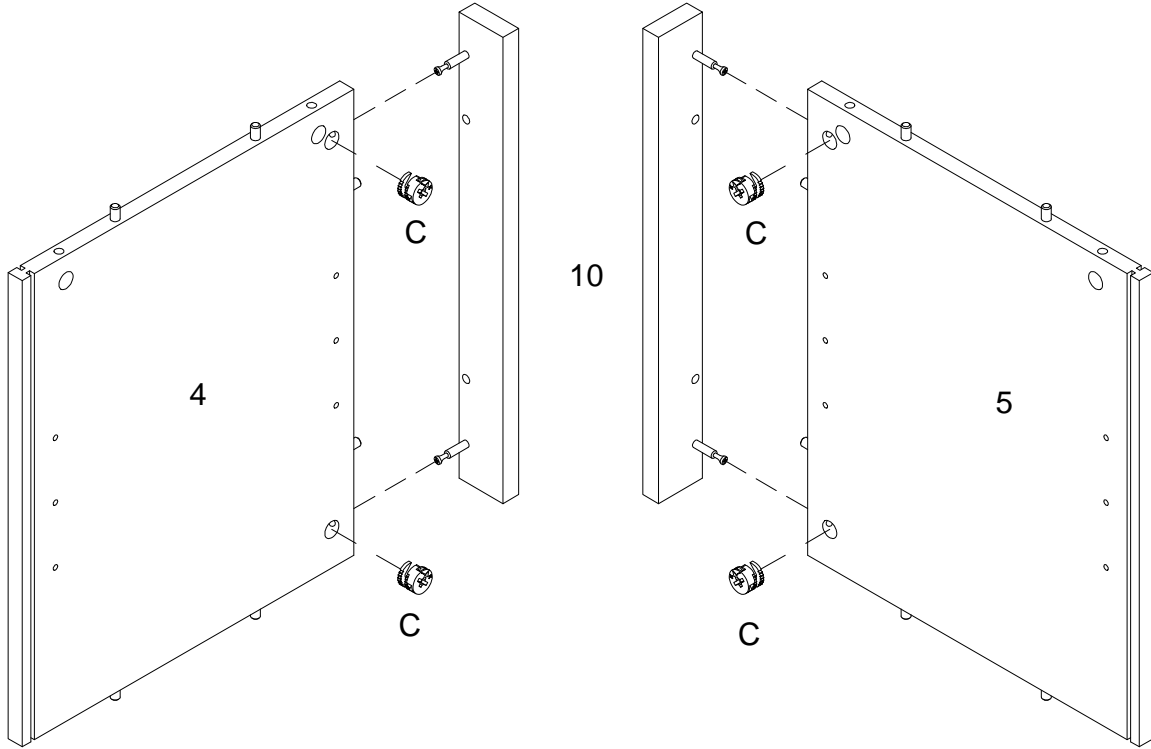
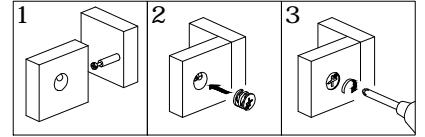
Insert wooden dowel (A) into part (2)

Step 4



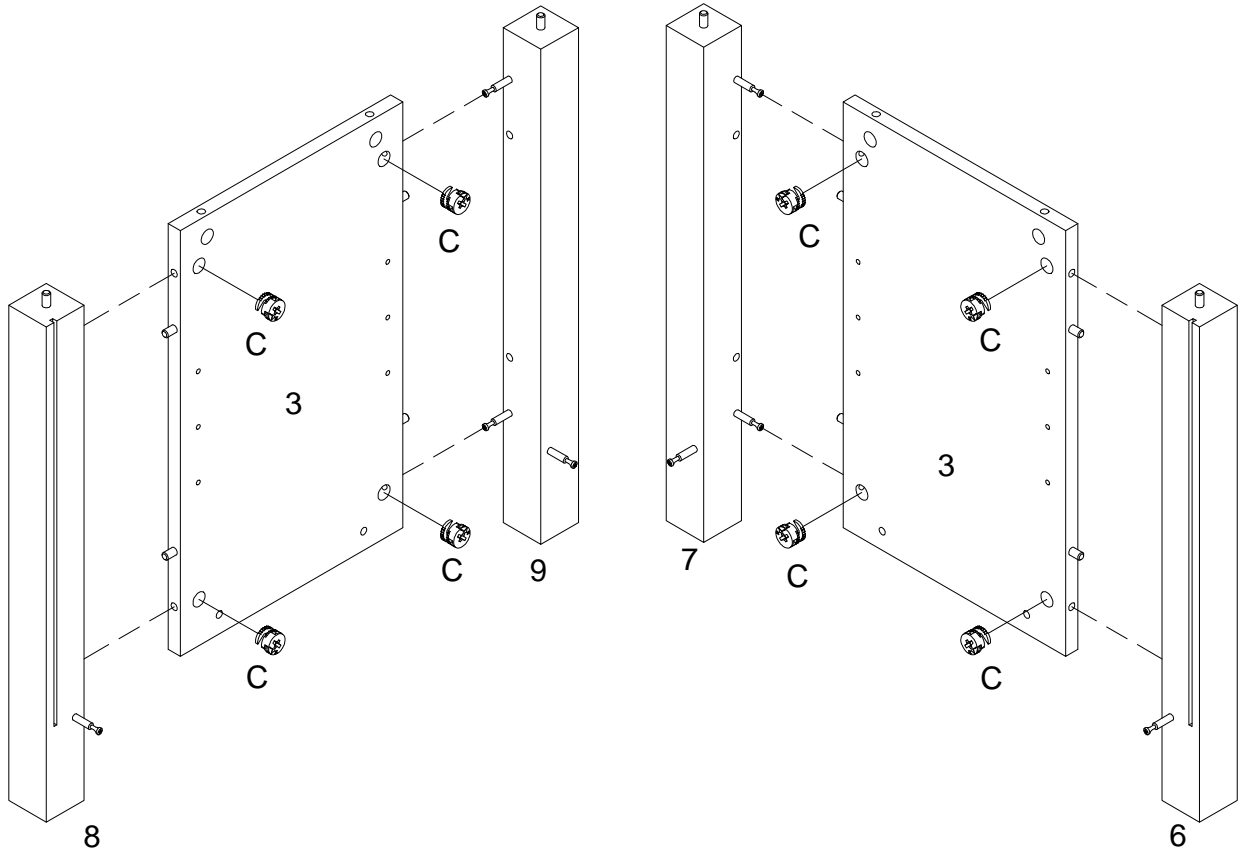
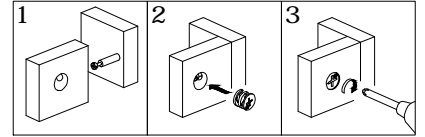
Insert wooden dowel (A) into parts (3,4,5)

Step 5



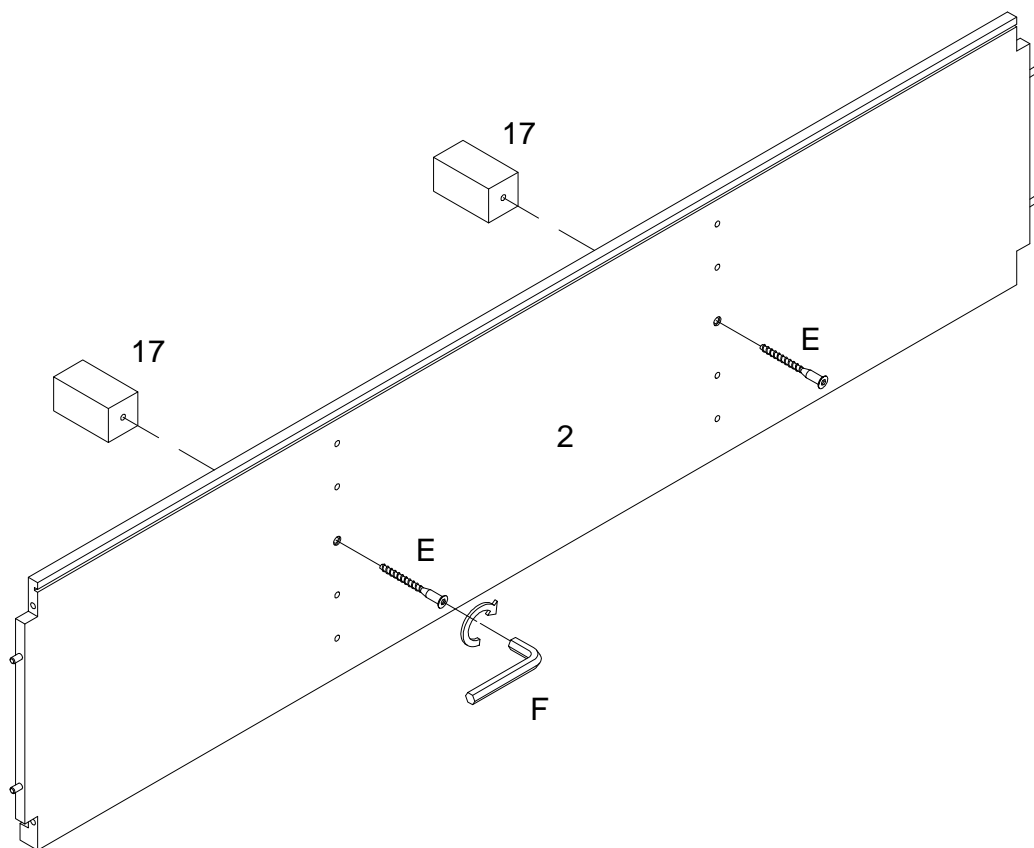
Attach parts (4,5) with cam locks (C)

Step 6



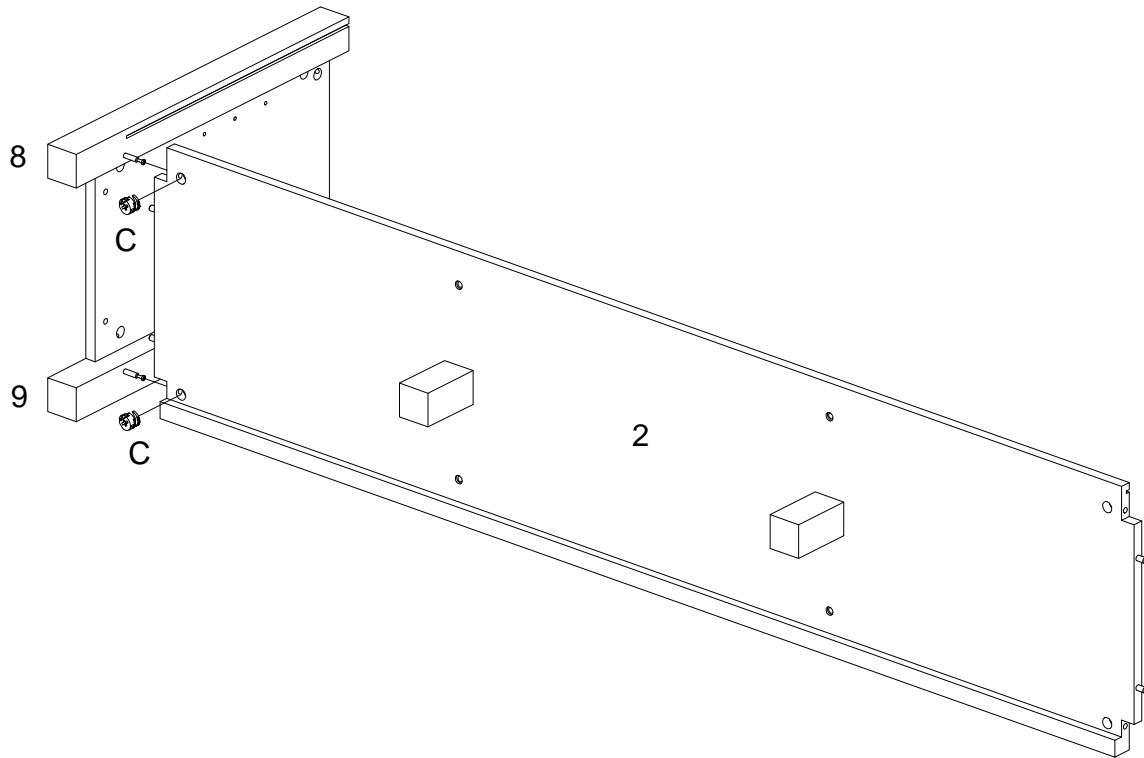
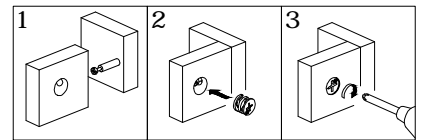
Attach part 3 to part 6,8,9 with cam lock (C)

Step 7



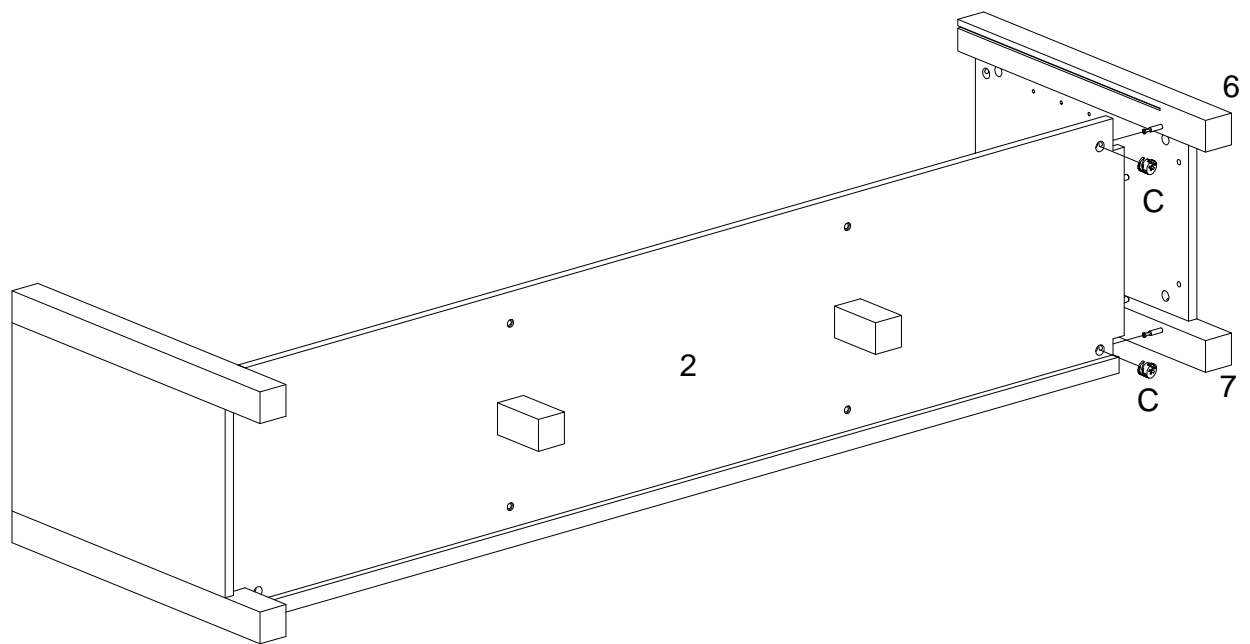
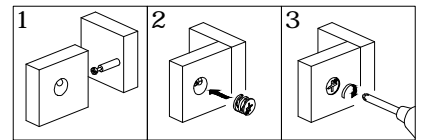
Attach part (17) to part (2) using bolt (E) with hex key (F).

Step 8



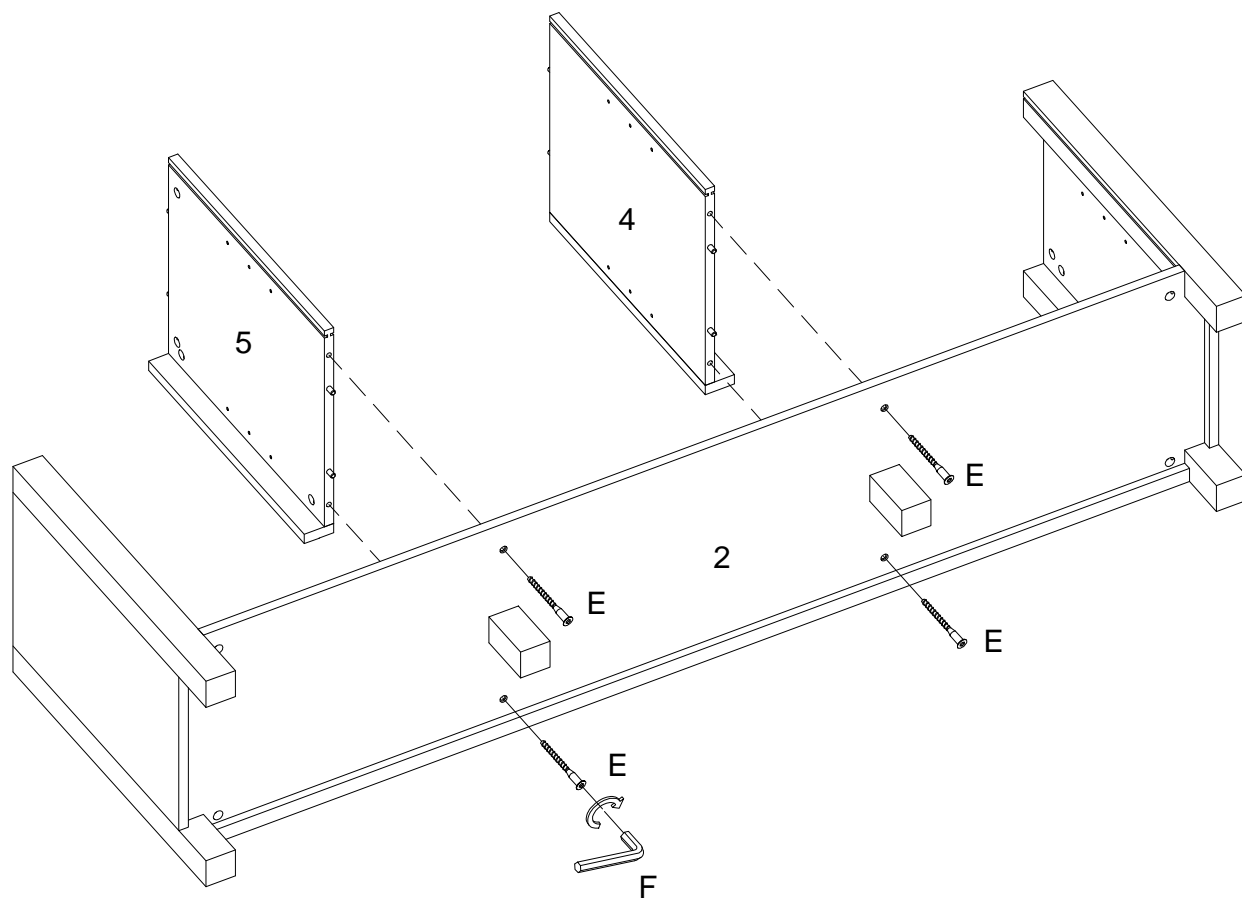
Attach part (8,9) to part (2), then insert and secure cam lock (C) to part (2) to lock it.

Step 9



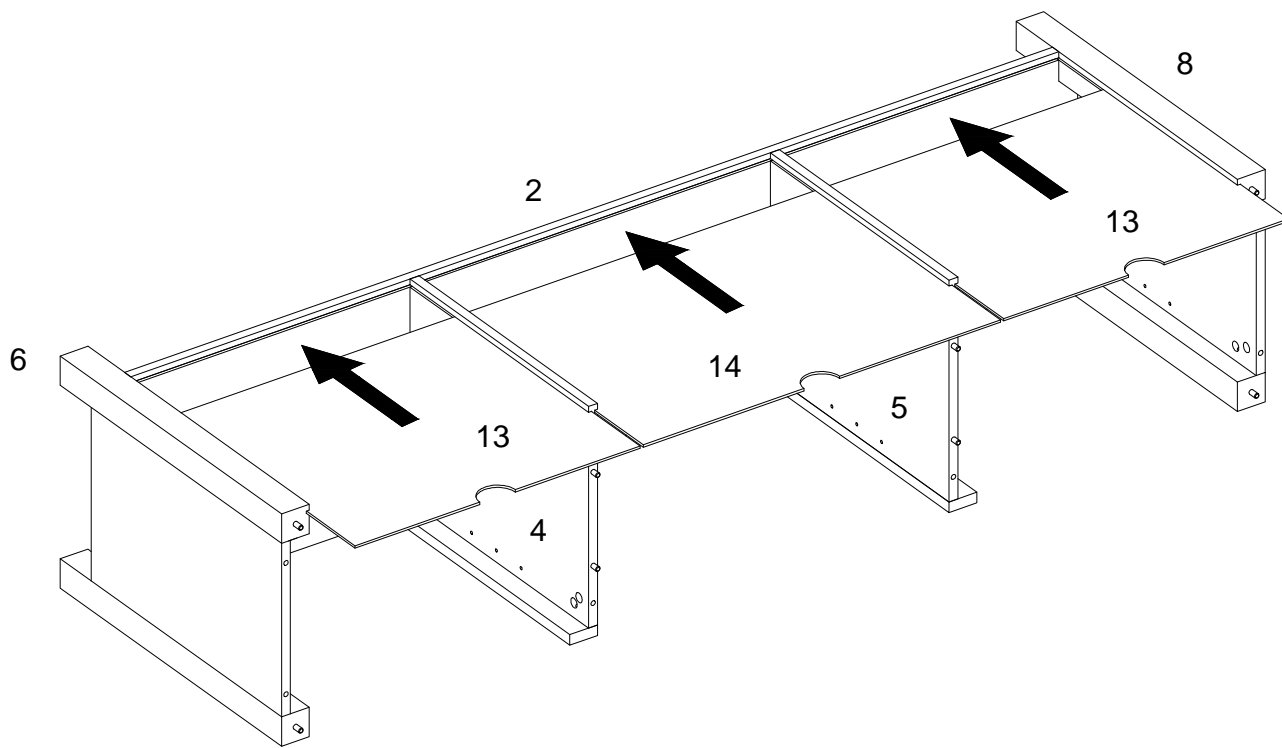
Attach part (6,7) to part (2), then insert and secure cam lock (C) to part (2) to lock it.

Step 10



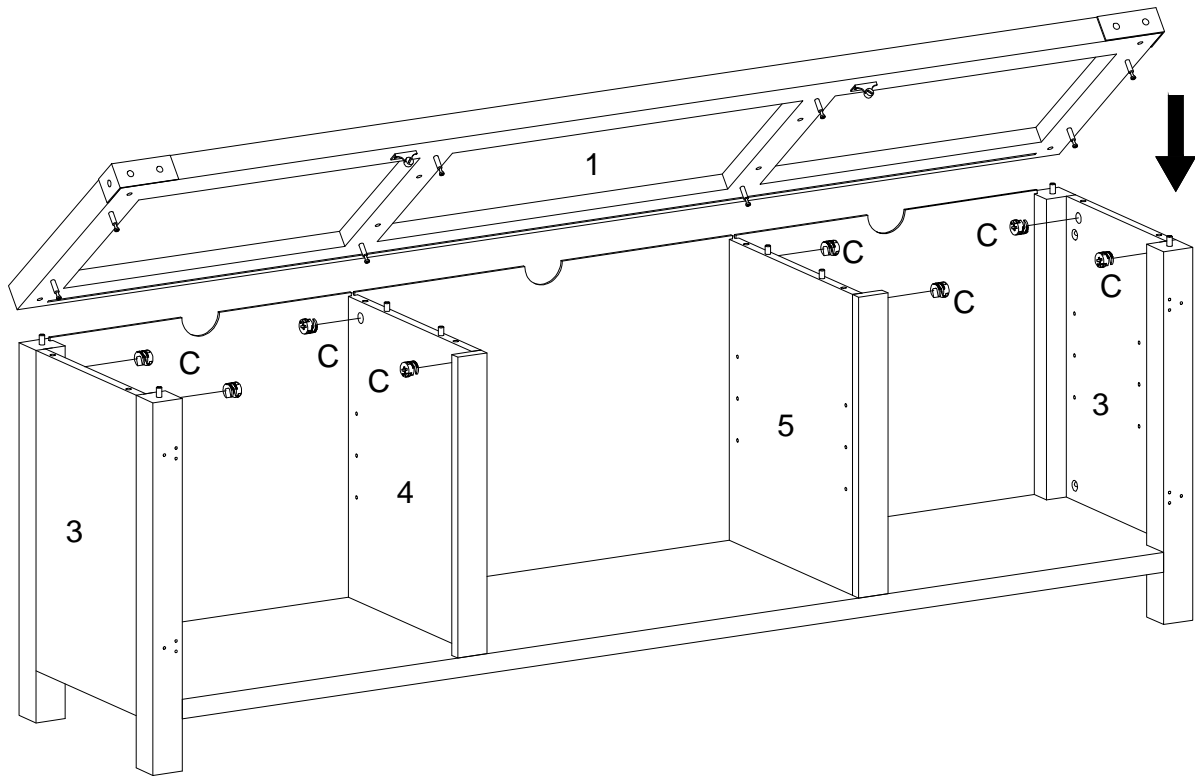
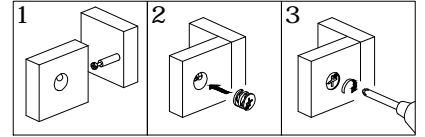
Attach part (2) to parts (4,5) using bolt (E) with hex key (F).

Step 11



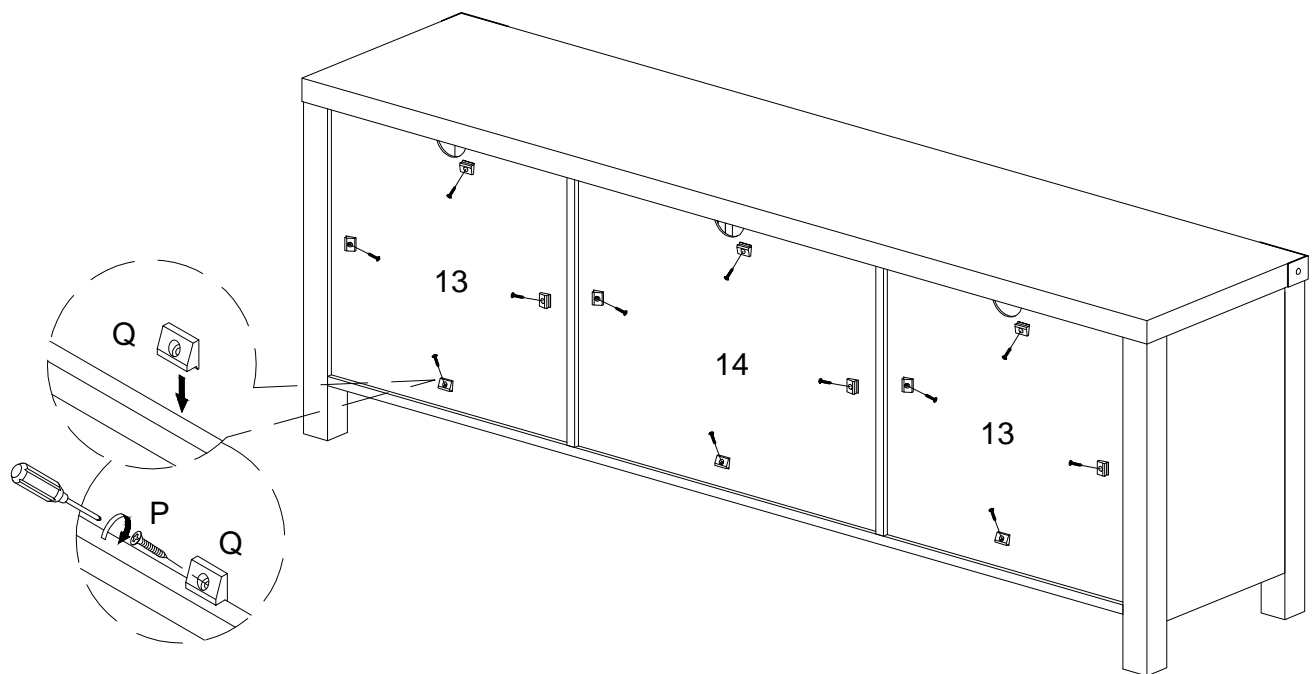
Slide the back panel all the way into the groove

Step 12



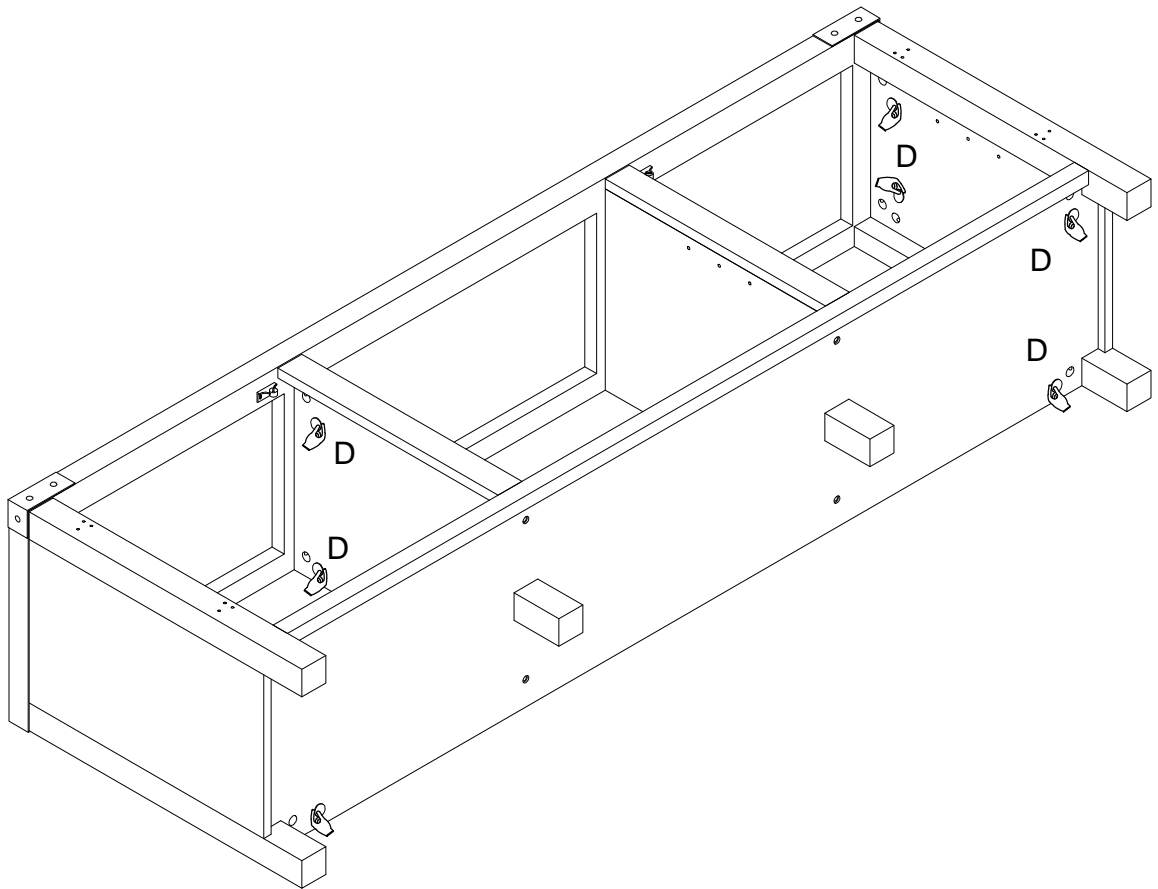
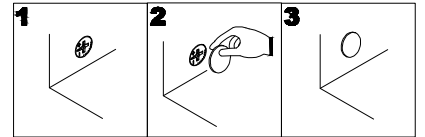
Insert part (1) into part (3,4,5), then insert and secure cam lock (C) to part (3,4,5).

Step 13



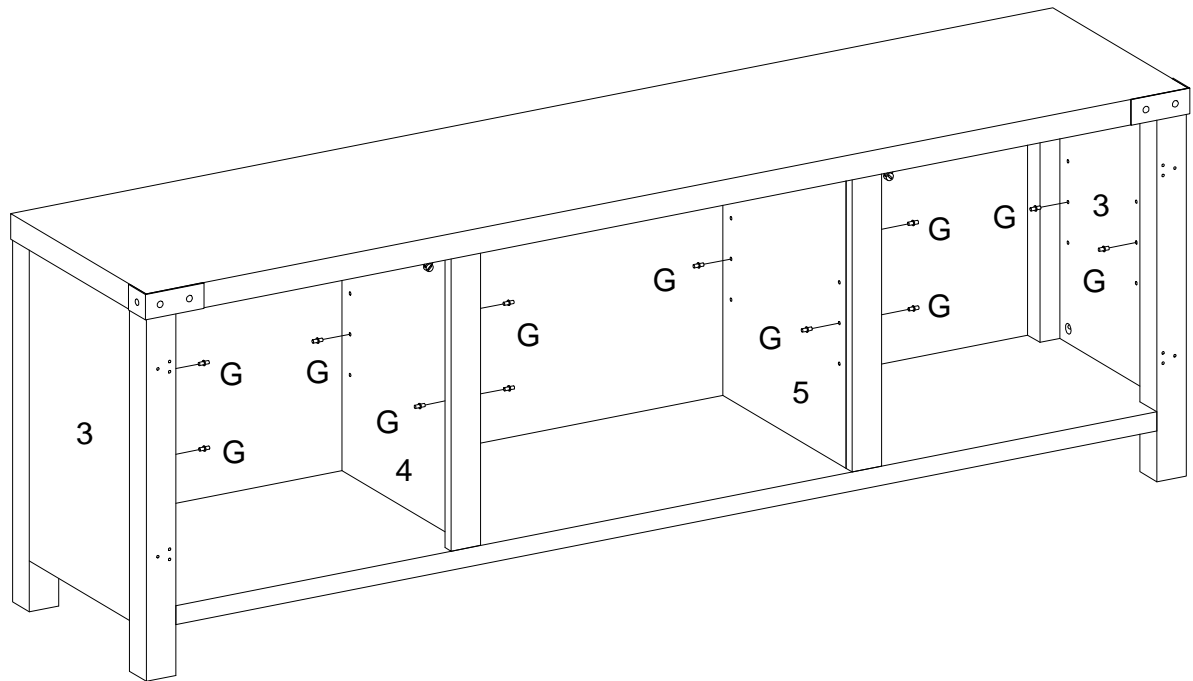
Secure plastic wedge (Q) to back panel (13,14) using screw (P) with screwdriver.

Step 14



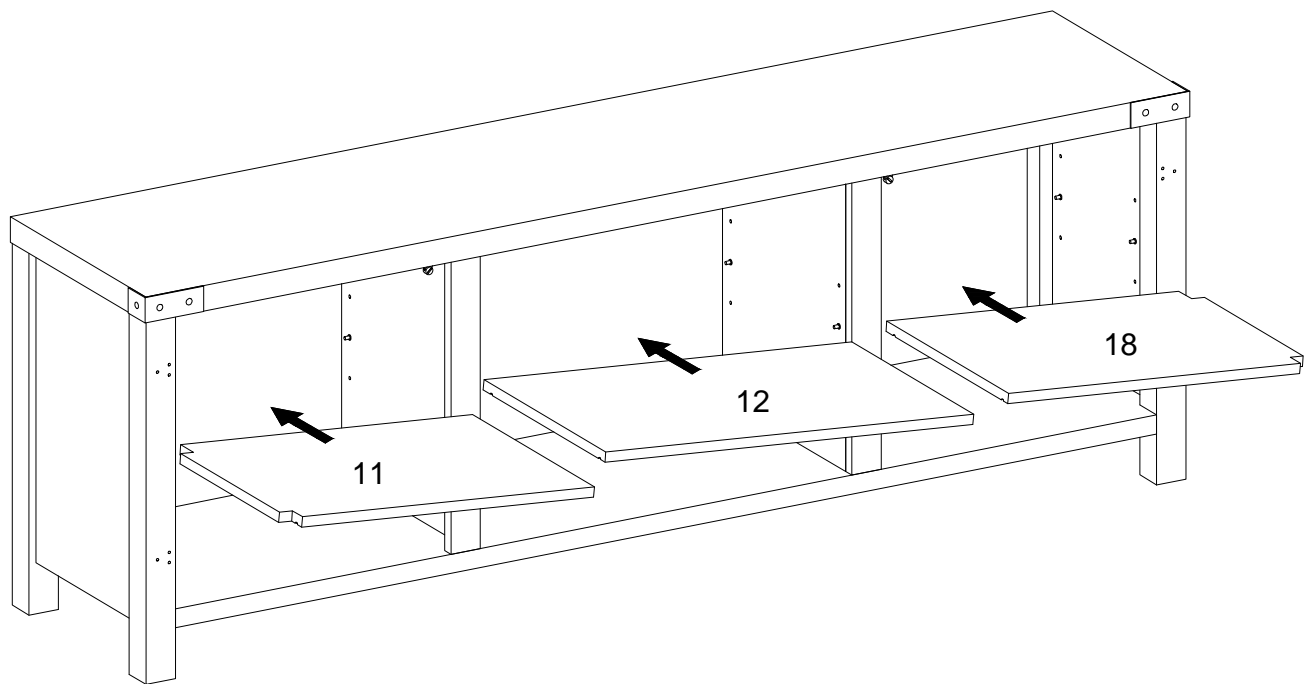
Place sticker (D) over holes as per diagram.

Step 15



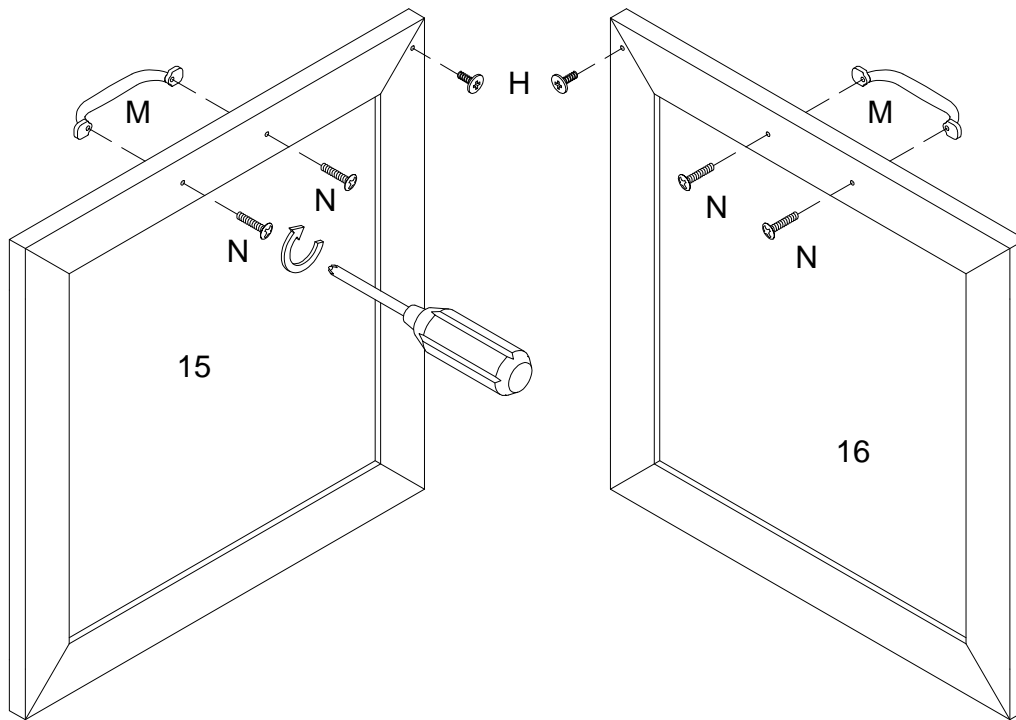
Insert shelf support pin (G) into part (3,4,5)

Step 16



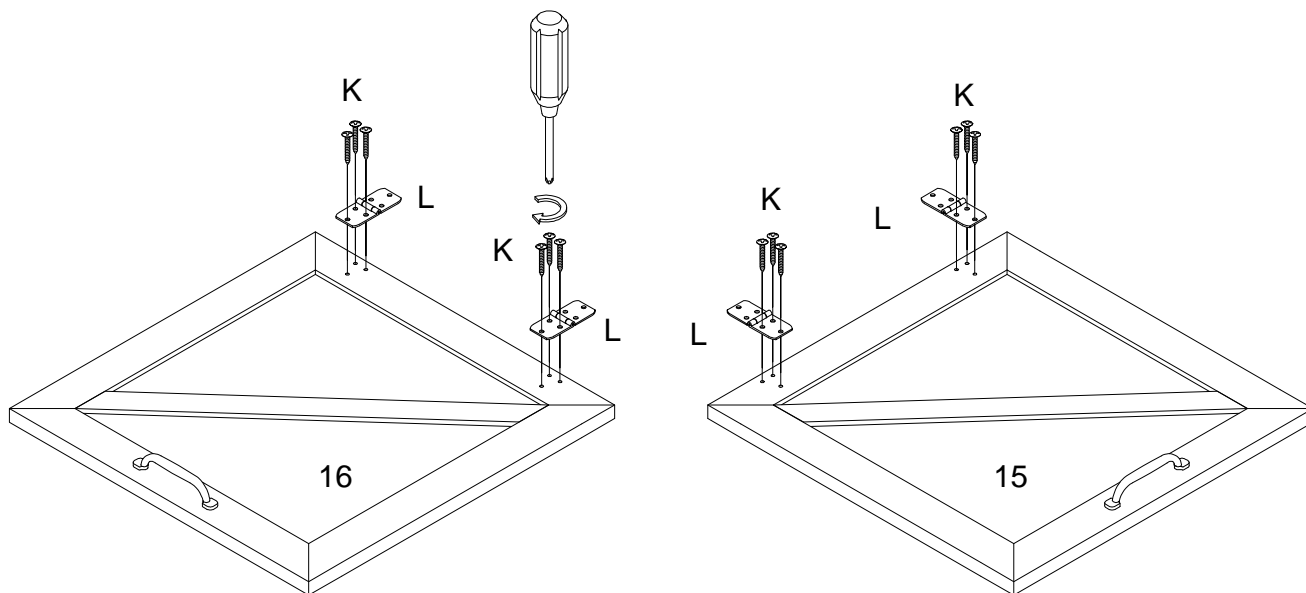
Then place shelf (11,12,18) on top of support pin (G)

Step 17



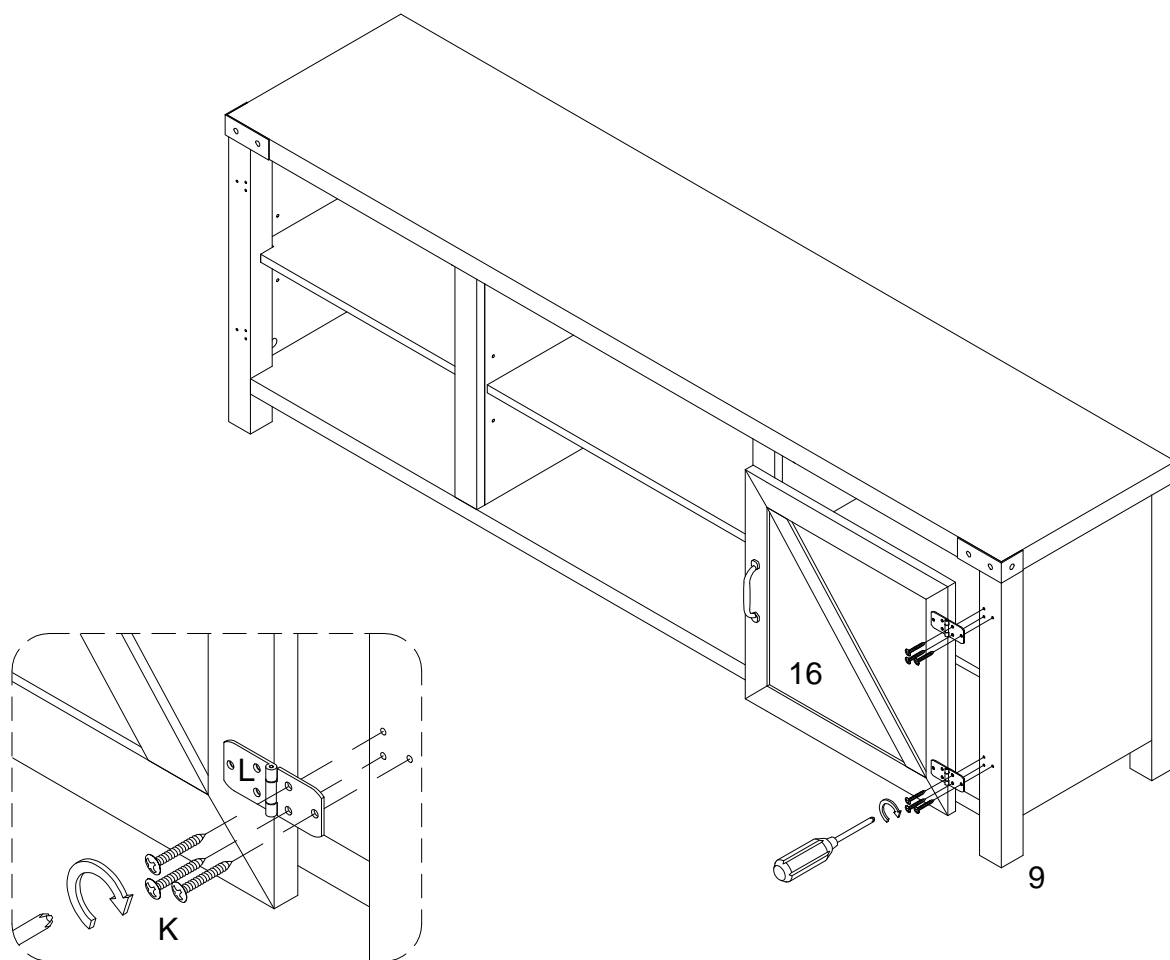
Attach handle (M) to part (15,16) using handle bolt (N) with screwdriver.

Step 18



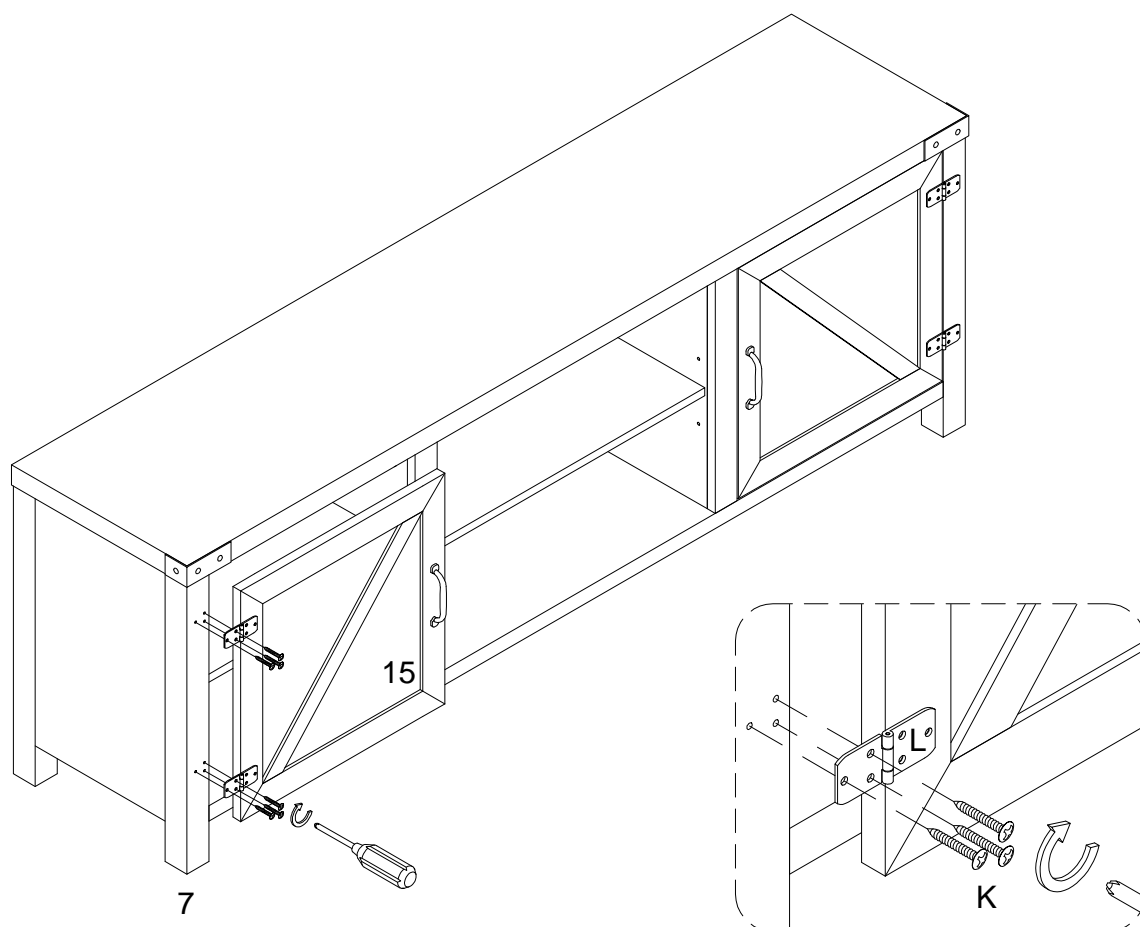
Attach door hinge (L) to part (15,16) using screw (K) with screwdriver.

Step 19



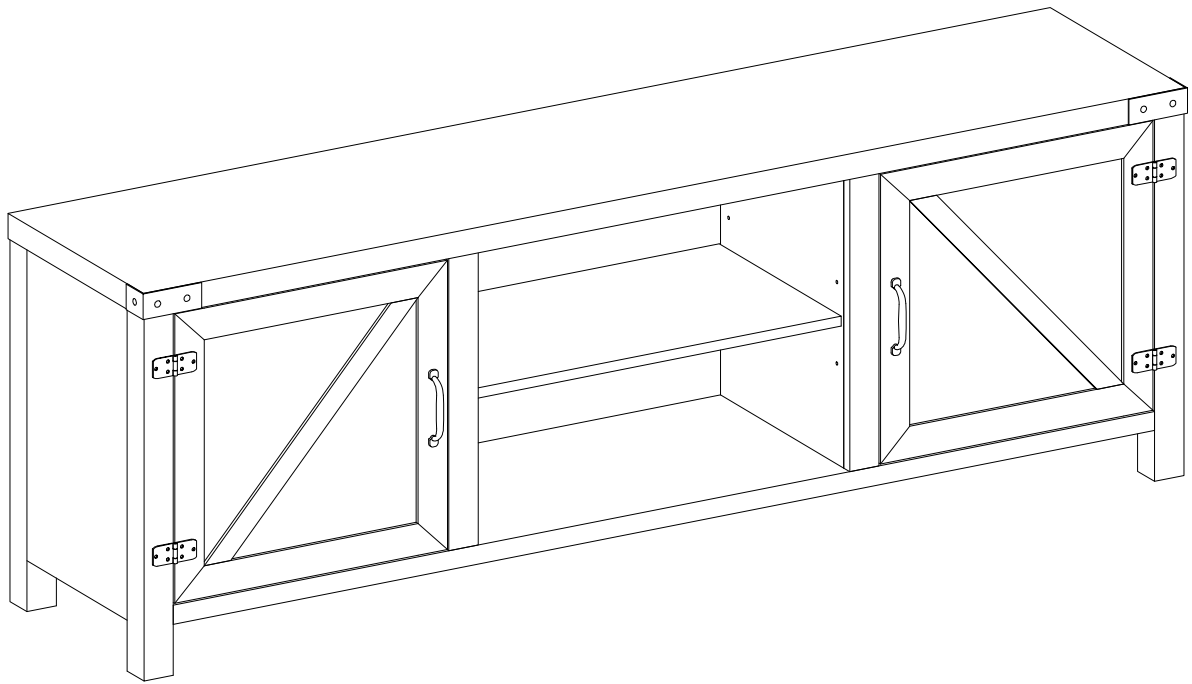
Using screw (K) with screwdriver secure the hinge and door and secure it door (16).

Step 20



Using screw (K) with screwdriver secure the hinge and door and secure it door (15).

Step 21



Final Assembly