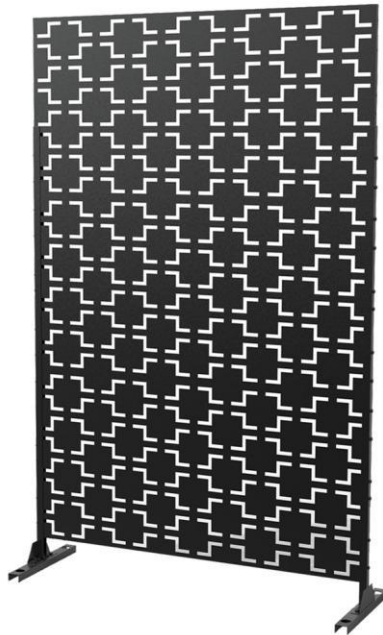


UIXE

INSTRUCTION
MANUAL



OS-B

ITEM NO. OS

WARRANTY

WE STRIVE TO OFFER HIGH-QUALITY PRODUCT AND WE ALSO TRY OUR BEST TO SATISFY EACH CUSTOMER THAT ORDERS FROM US WITH PRODUCT OR SERVICE AS NEEDED. EACH CUSTOMER RECEIVES A RECORD OF THEIR ORDER, SUCH AS THE ORDER NUMBER OR ITEM RECEIPT. FOR ANY ITEMS THAT ARE OUT OF THE WARRANTY PERIOD, YOU MAY STILL RECEIVE REPLACEMENT PARTS BY PURCHASING THEM FROM OUR COMPANY IF THEY ARE AVAILABLE.

Are you having difficulty
with assembly? Missing parts?

Please contact us : info@firstopintl.com

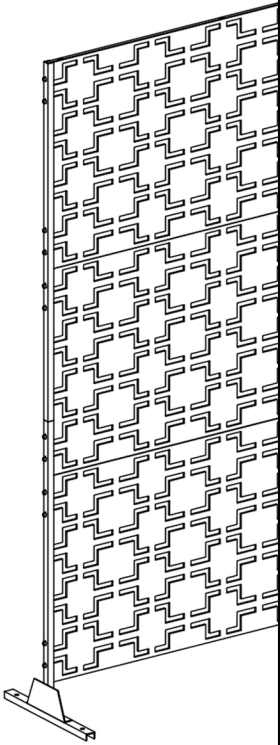
Tel.5627813327

send an email with your order No. to us

For return, please check the return policy with
the retailer or market place you bought from.

Appreciate your purchasing from us.

Pop up your life by our furniture !





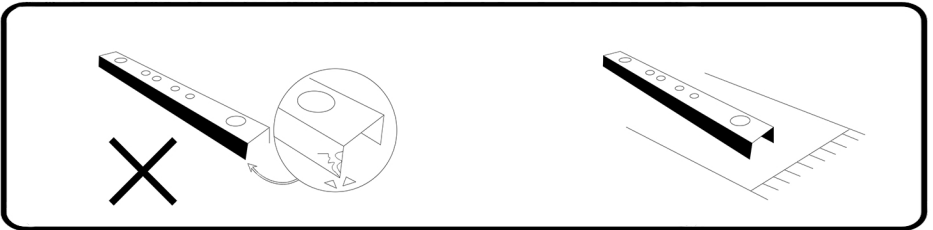
IF THE PRIVACY SCREEN WILL BE USED IN A STRONG WIND AREA, WE HIGHLY RECOMMEND YOU USING EXPANSION SCREW OR GROUND STAKES TO FIX THE PRIVACY SCREEN ON SOLID GROUND.

BEFORE ASSEMBLING, WE RECOMMEND:

1. WEAR GLOVES



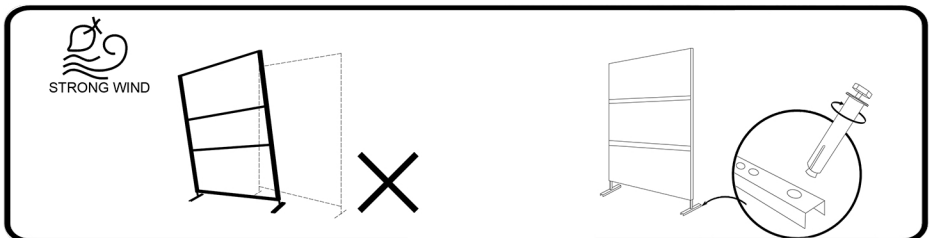
2. DON'T ASSEMBLE THE PRIVACY SCREEN ON A HARD SURFACE



3. ASK FOR A HELPING HAND

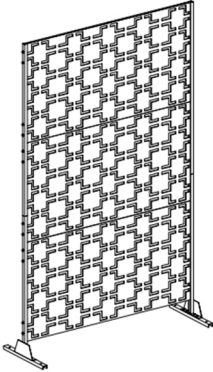


4. USE EXPANSION SCREW OR GROUND STAKES TO FIX THE PRIVACY SCREEN ON GROUND IF NECESSARY

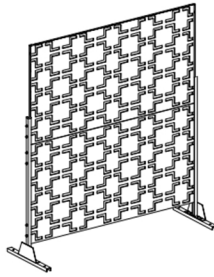


DIFFERENT COMBINATIONS

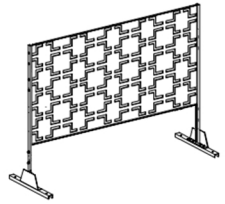
• HORIZONTAL INSTALLATION



THREE SCREENS
1 - 10

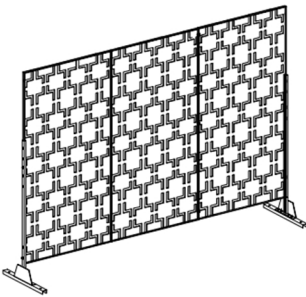


TWO SCREENS
11 - 14

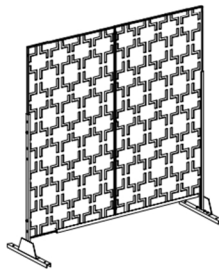


SINGLE SCREEN
15 - 17

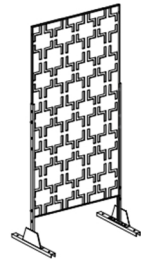
• VERTICAL INSTALLATION



THREE SCREENS
18 - 23

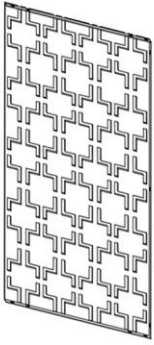


TWO SCREENS
24 - 27



SINGLE SCREEN
28 - 30

PARTS



①*3
Screen



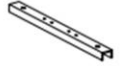
⑦*2
TOP
Sidebar



⑧*2
Bottom
Sidebar



⑨*2
Support
Bracket



⑤*2
Stand
Feet

HARDWARE



②*42
Bolt



③*38
Nut



④*1
Wrench



⑥*1
Allen
Key



⑩*4
Ground
Stakes

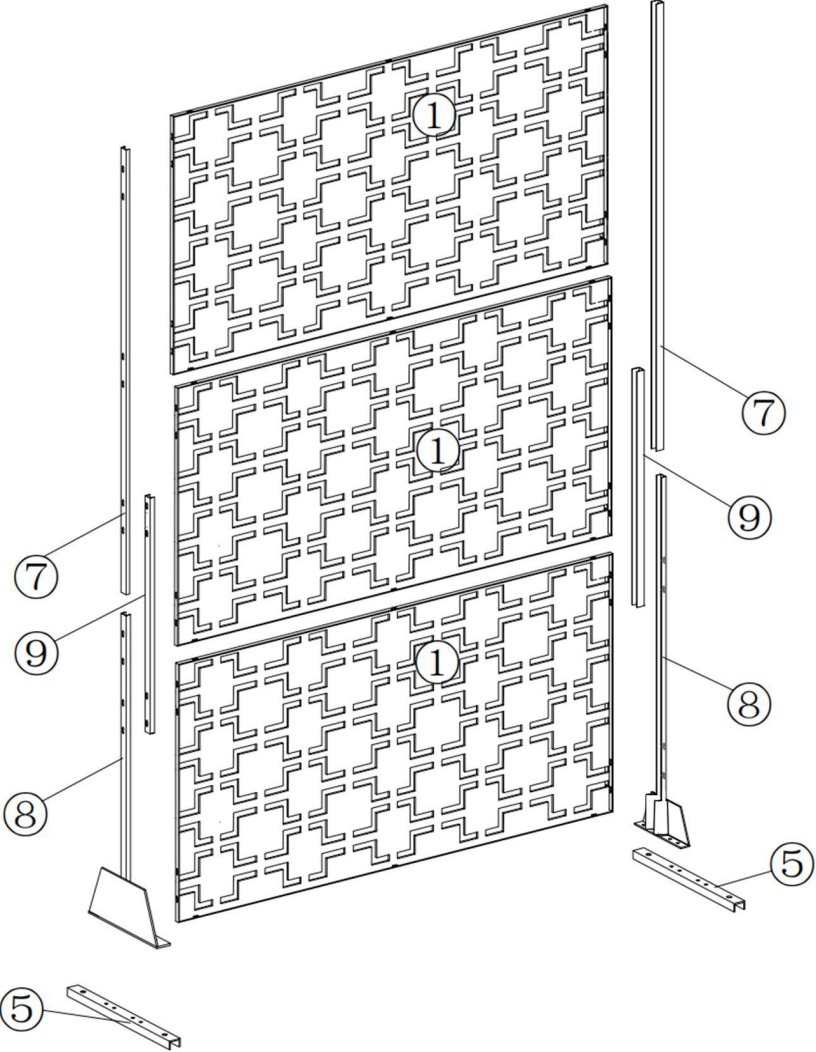


⑪*4
Expansion
Screw

BE SURE TO CHECK ALL PACKING MATERIAL FITTING THE PACKING LIST. BE CAREFUL FOR SMALL PARTS, WHICH MAY HAVE COME LOOSE INSIDE THE CARTON DURING SHIPMENT.

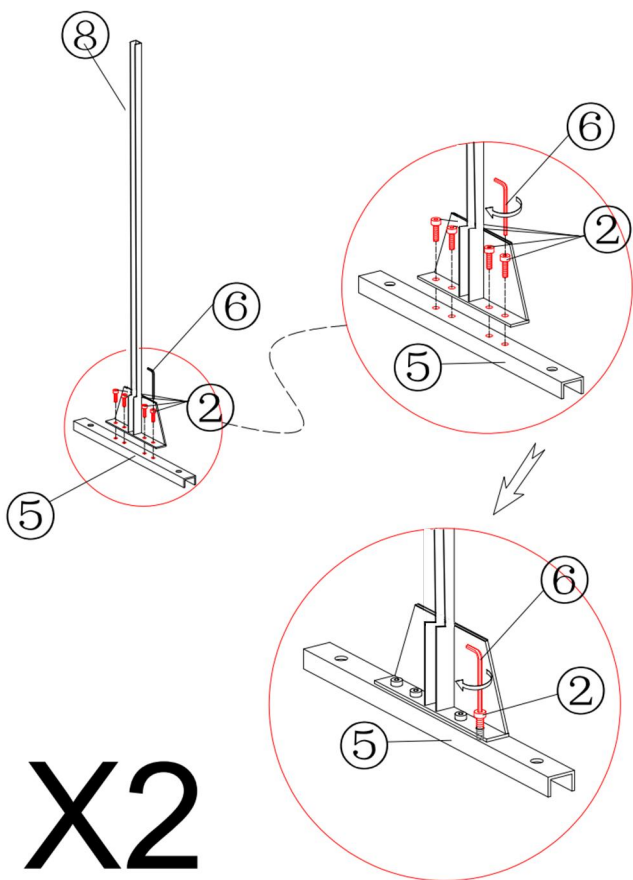
HORIZONTAL INSTALLATION

EXPLODED VIEW - THREE SCREENS



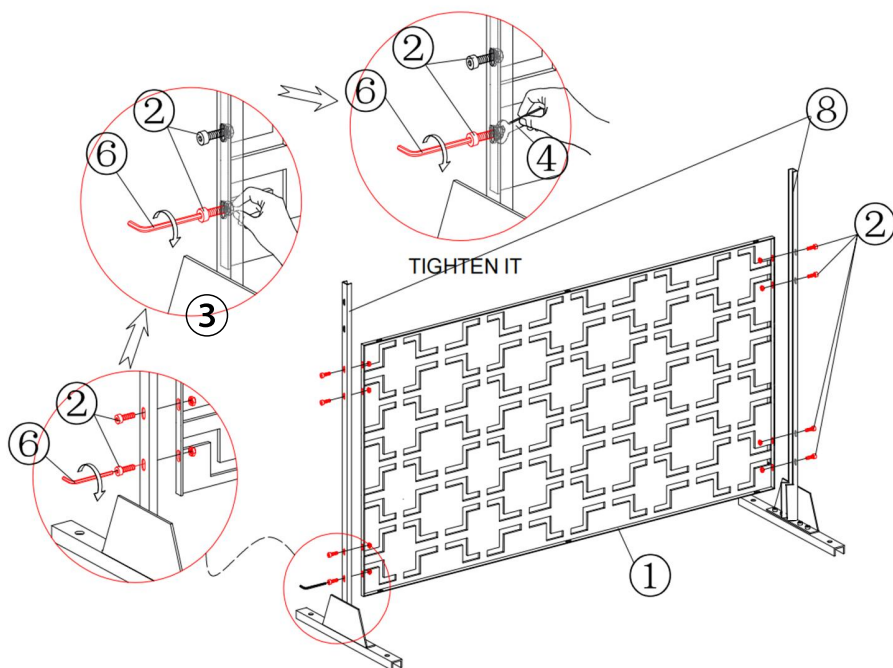
step 1

USE BOLT ② TO ATTACH BOTTOM SIDEBAR ⑧ TO STAND FEET ⑤, TIGHTEN IT WITH ALLEN KEY ⑥.



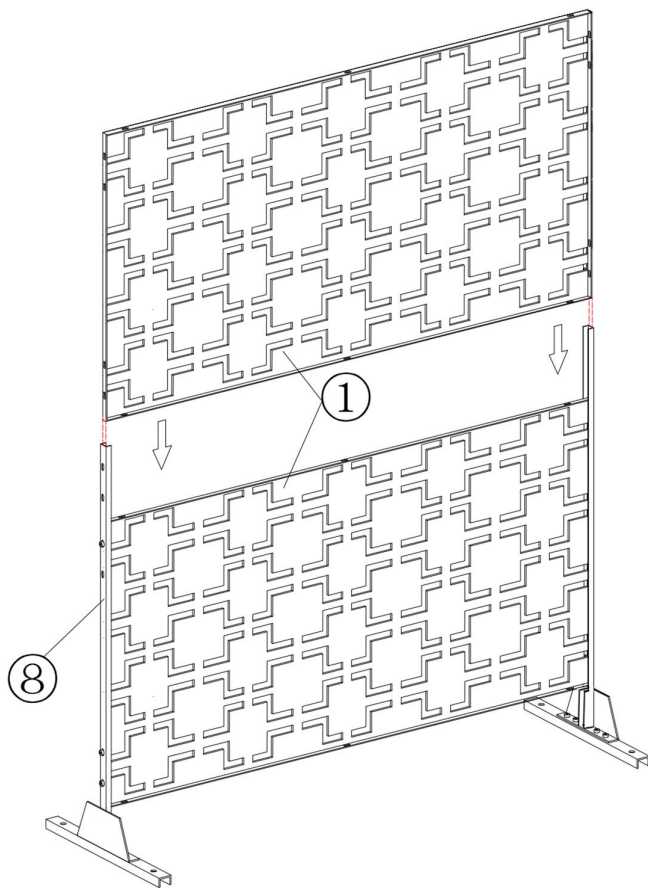
step 2

MAKE SURE ALL THE HOLES IN THE BOTTOM SIDEBAR (8) AND THE SCREEN (1) ARE ALIGNED, THEN USE ALLEN KEY (6) TO LOAD THE BOLT (2) INTO THE HOLE AND FIX THE NUT (3) ON THE BACK SIDE BY HAND, AND THEN USE THE WRENCH (4) TO SCREW THE NUT (3) ON THE BACK SIDE INTO THE BOLT (2) IN THE OPPOSITE DIRECTION UNTIL IT IS COMPLETELY TIGHTEN



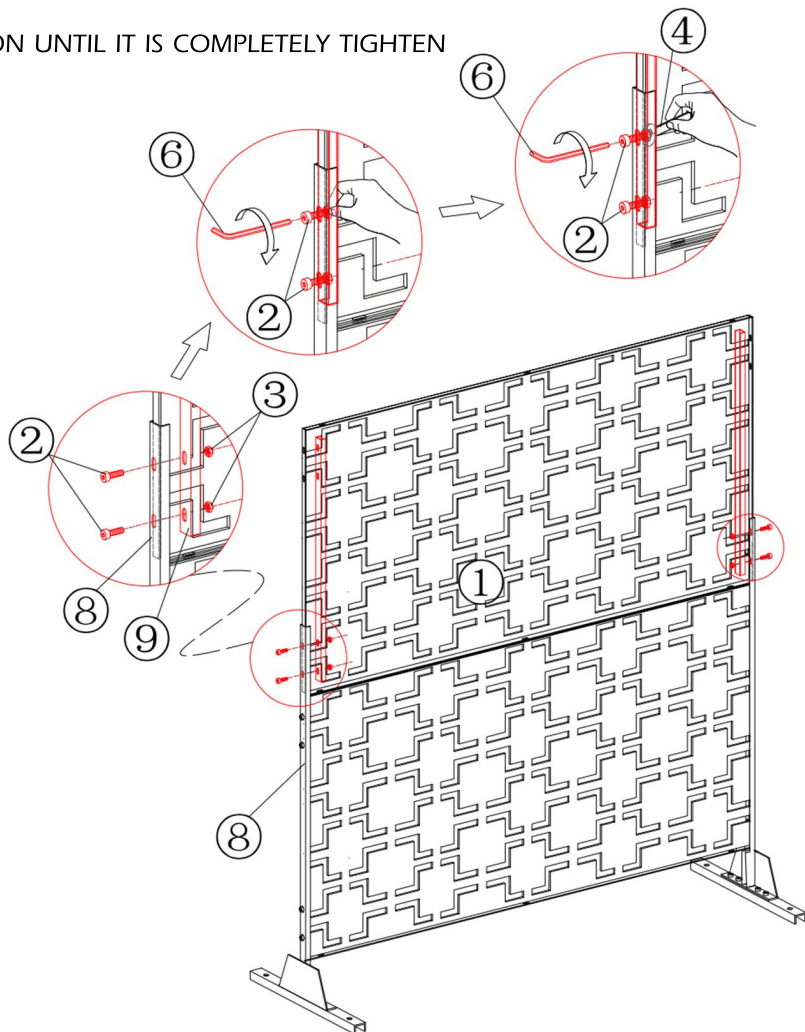
step 3

SLIDE SCREEN ① INTO ASSEMBLE PART AS PICTURE SHOW.



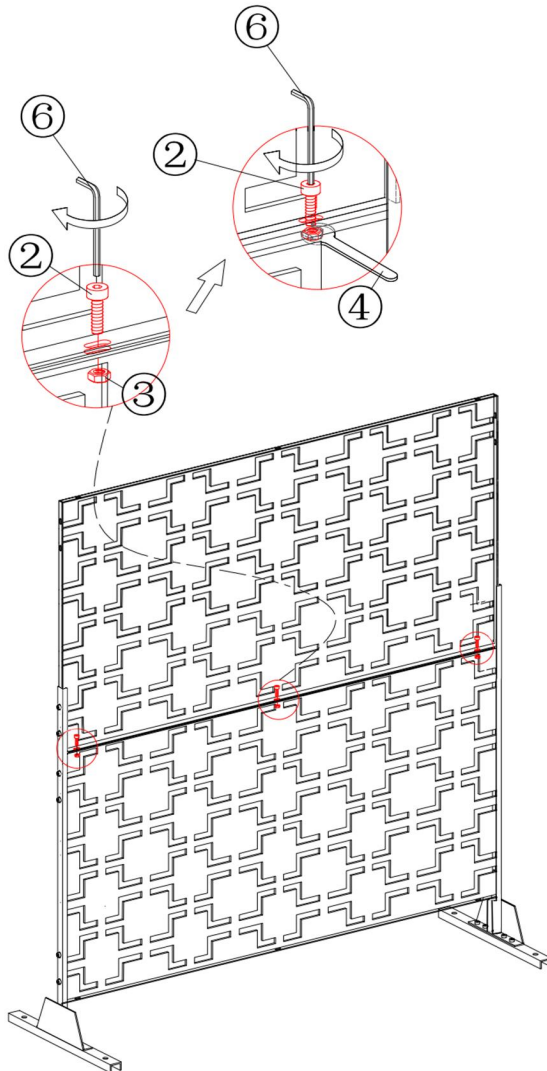
step 4

MAKE SURE ALL THE HOLES IN THE BOTTOM SIDEBAR (8) AND THE SCREEN (1) ARE ALIGNED, THEN USE ALLEN KEY (6) TO LOAD THE BOLT (2) INTO THE HOLE AND FIX THE NUT (3) ON THE BACK SIDE BY HAND, AND THEN USE THE WRENCH (4) TO SCREW THE NUT (3) ON THE BACK SIDE INTO THE BOLT (2) IN THE OPPOSITE DIRECTION UNTIL IT IS COMPLETELY TIGHTEN



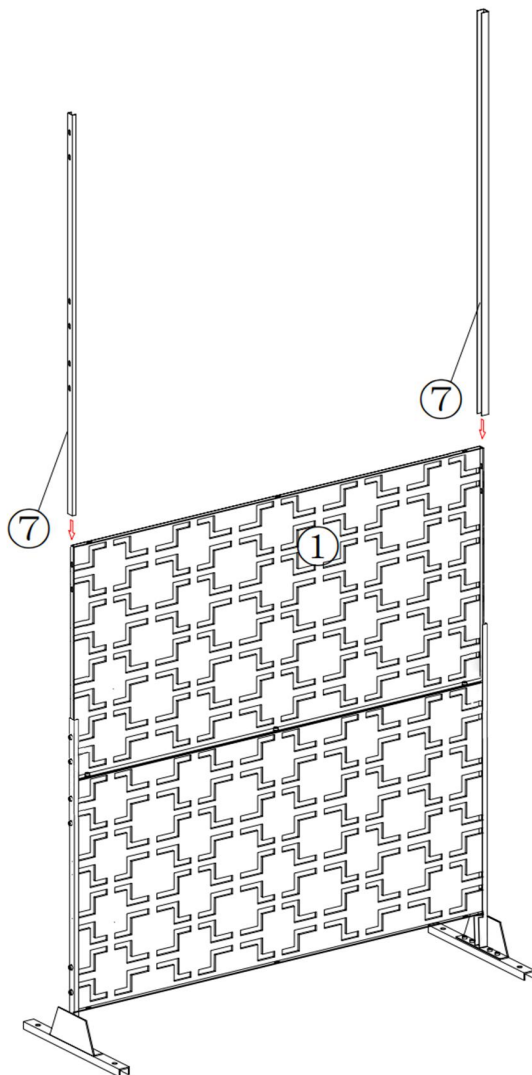
step 5

USE BOLT ②, NUT ③ TO ATTACH SCREEN ① TO ANOTHER SCREEN ①, MAKE SURE ALL HOLES ARE ALIGNED, TIGHTEN IT WITH ALLEN KEY ⑥ AND WRENCH ④.



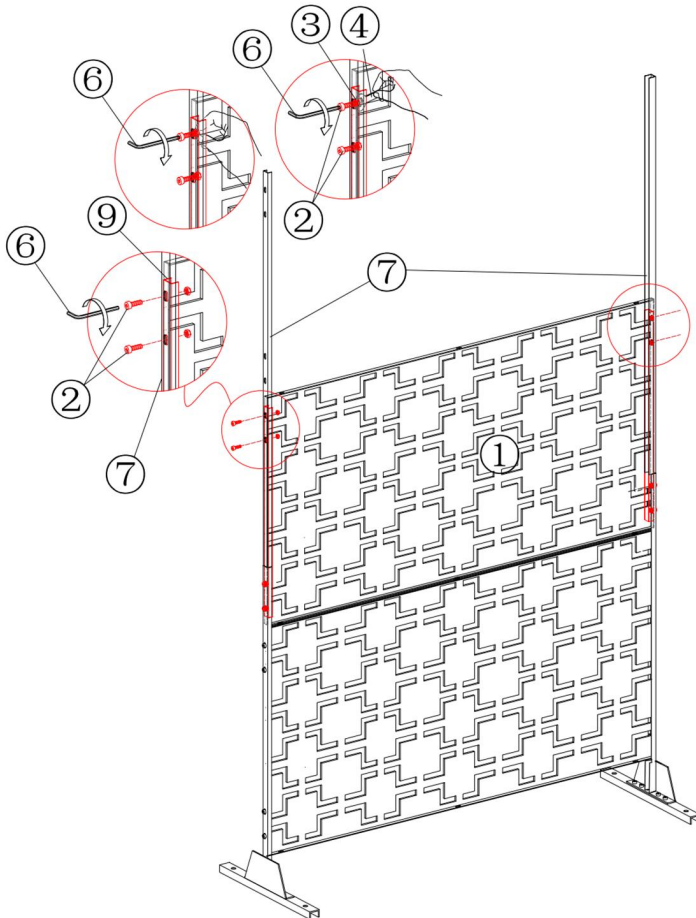
step 6

SLIDE THE TOP SIDEBAR ⑦ ON BOTH SIDES INTO ASSEMBLE PART AS PICTURE SHOW.



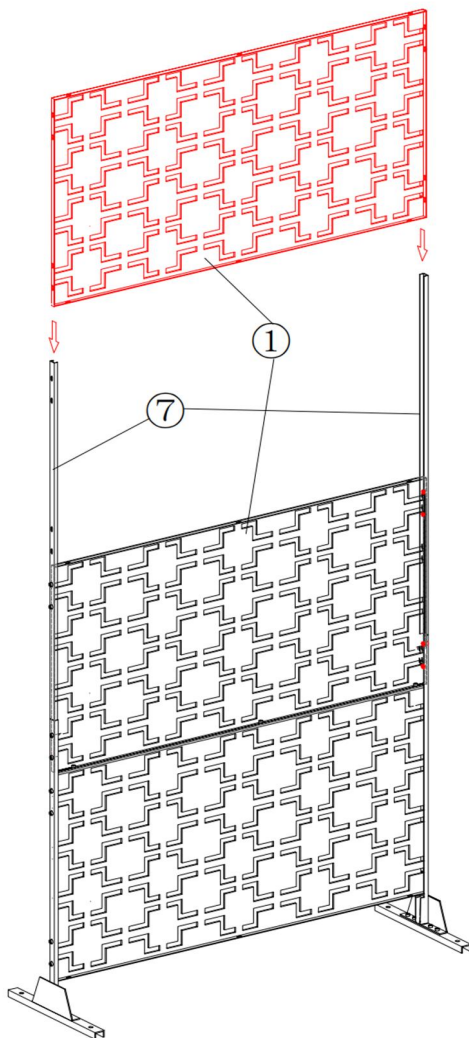
step 7

MAKE SURE ALL THE HOLES IN THE TOP SIDEBAR (7) AND THE SCREEN (1) ARE ALIGNED, THEN USE ALLEN KEY (6) TO LOAD THE BOLT (2) INTO THE HOLE AND FIX THE NUT (3) ON THE BACK SIDE BY HAND, AND THEN USE THE WRENCH (4) TO SCREW THE NUT (3) ON THE BACK SIDE INTO THE BOLT (2) IN THE OPPOSITE DIRECTION UNTIL IT IS COMPLETELY TIGHTEN



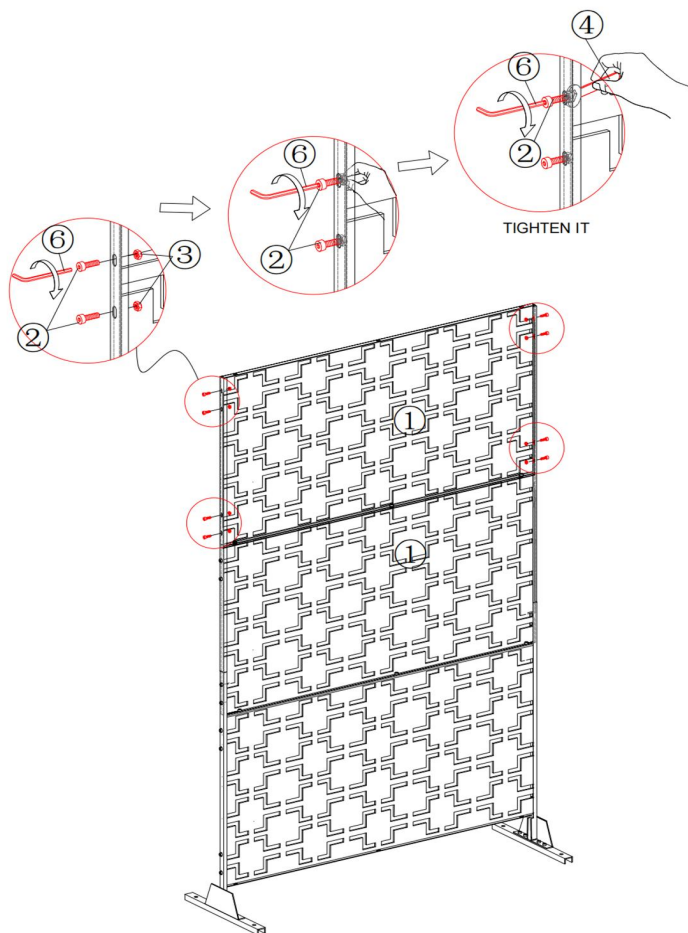
step 8

SLIDE SCREEN ① INTO TOP SIDEBAR ⑦ AS PICTURE SHOW.



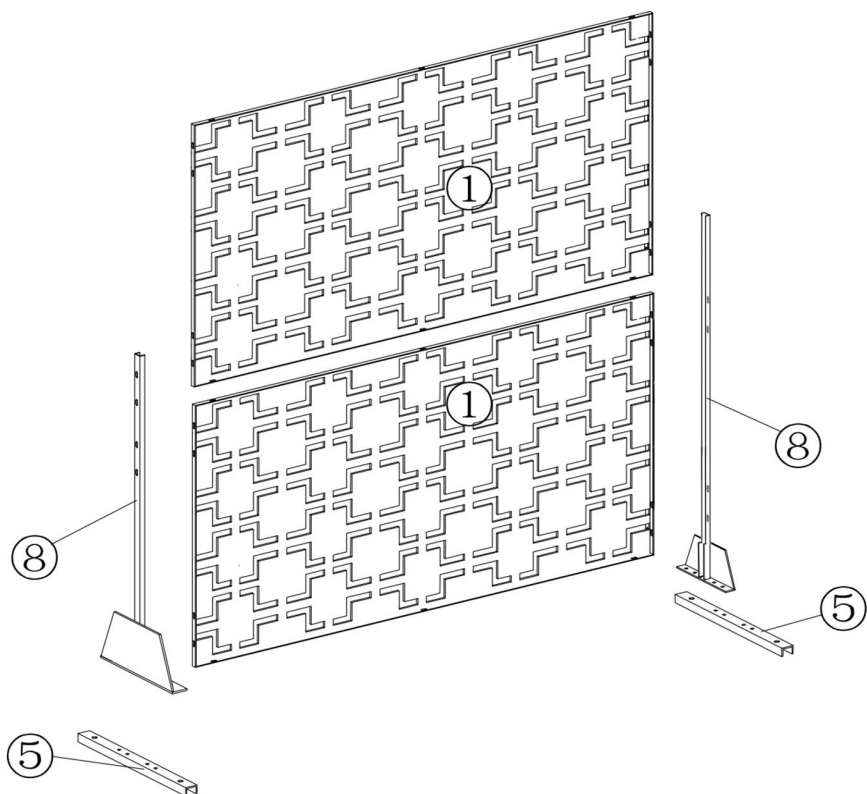
step 9

MAKE SURE ALL THE HOLES IN THE TOP SIDEBAR (7) AND THE SCREEN (1) ARE ALIGNED, THEN USE ALLEN KEY (6) TO LOAD THE BOLT (2) INTO THE HOLE AND FIX THE NUT (3) ON THE BACK SIDE BY HAND, AND THEN USE THE WRENCH (4) TO SCREW THE NUT (3) ON THE BACK SIDE INTO THE BOLT (2) IN THE OPPOSITE DIRECTION UNTIL IT IS COMPLETELY TIGHTEN



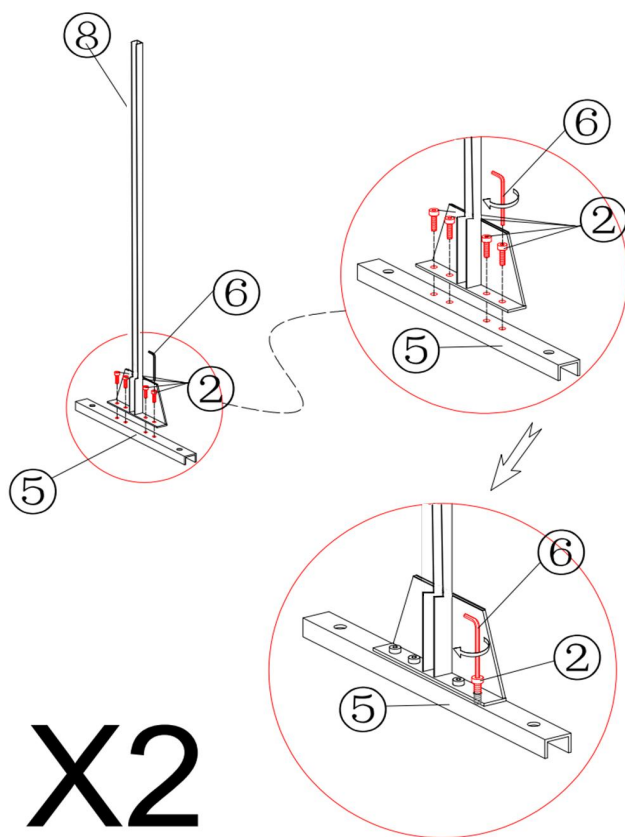
HORIZONTAL INSTALLATION

EXPLODED VIEW - TWO SCREENS



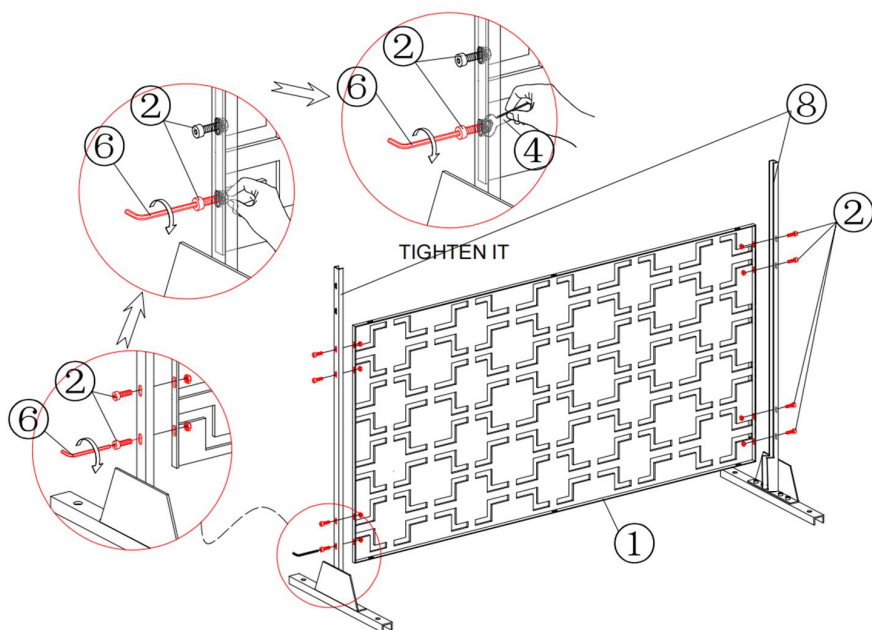
step 1

USE BOLT ② TO ATTACH BOTTOM SIDEBAR ⑧ TO STAND FEET ⑤, TIGHTEN IT WITH ALLEN KEY ⑥.



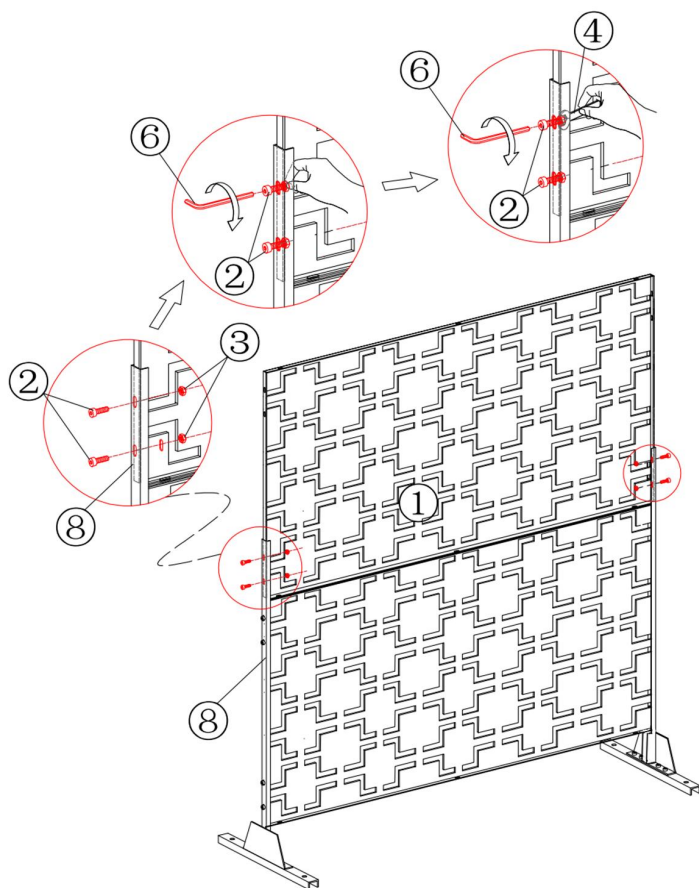
step 2

MAKE SURE ALL THE HOLES IN THE BOTTOM SIDEBAR (8) AND THE SCREEN (1) ARE ALIGNED, THEN USE ALLEN KEY (6) TO LOAD THE BOLT (2) INTO THE HOLE AND FIX THE NUT (3) ON THE BACK SIDE BY HAND, AND THEN USE THE WRENCH (4) TO SCREW THE NUT (3) ON THE BACK SIDE INTO THE BOLT (2) IN THE OPPOSITE DIRECTION UNTIL IT IS COMPLETELY TIGHTEN



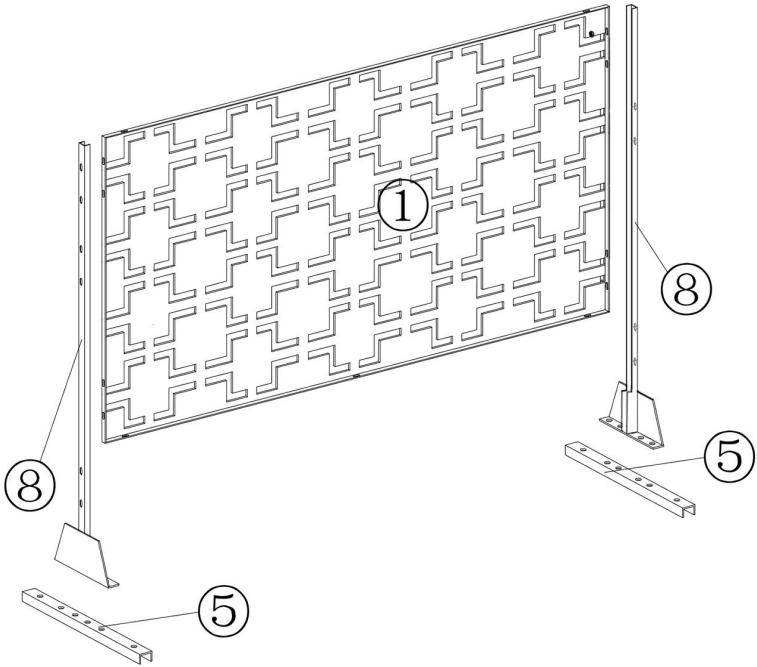
step 3

MAKE SURE ALL THE HOLES IN THE BOTTOM SIDEBAR (8) AND THE SCREEN (1) ARE ALIGNED, THEN USE ALLEN KEY (6) TO LOAD THE BOLT (2) INTO THE HOLE AND FIX THE NUT (3) ON THE BACK SIDE BY HAND, AND THEN USE THE WRENCH (4) TO SCREW THE NUT (3) ON THE BACK SIDE INTO THE BOLT (2) IN THE OPPOSITE DIRECTION UNTIL IT IS COMPLETELY TIGHTEN



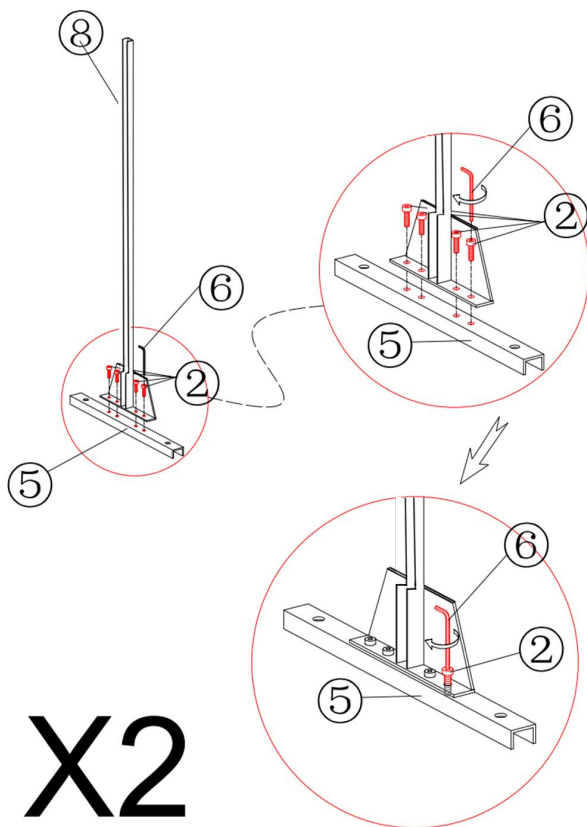
HORIZONTAL INSTALLATION

EXPLODED VIEW - SINGLE SCREEN



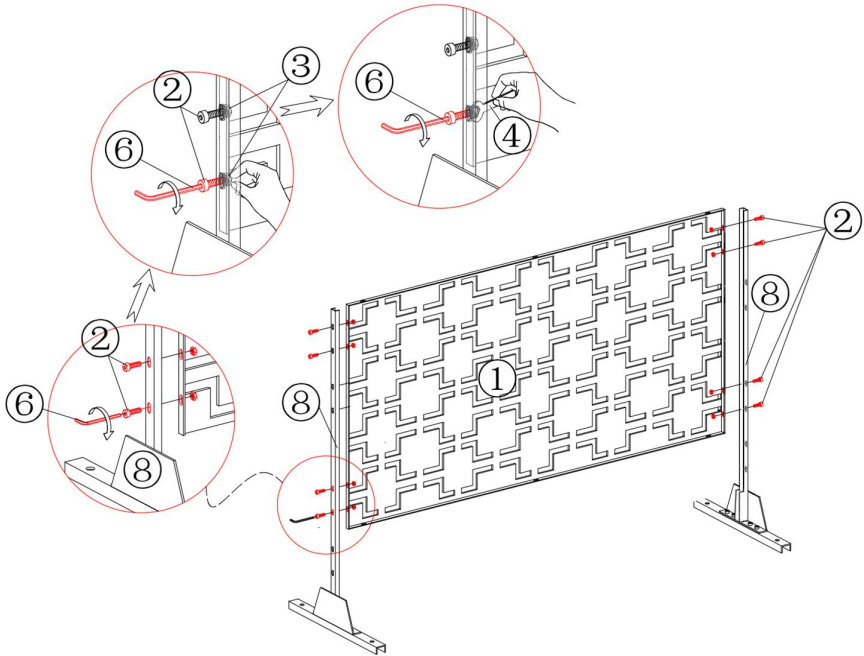
step 1

USE BOLT ② TO ATTACH BOTTOM SIDEBAR ⑧ TO STAND FEET ⑤, TIGHTEN IT WITH ALLEN KEY ⑥.



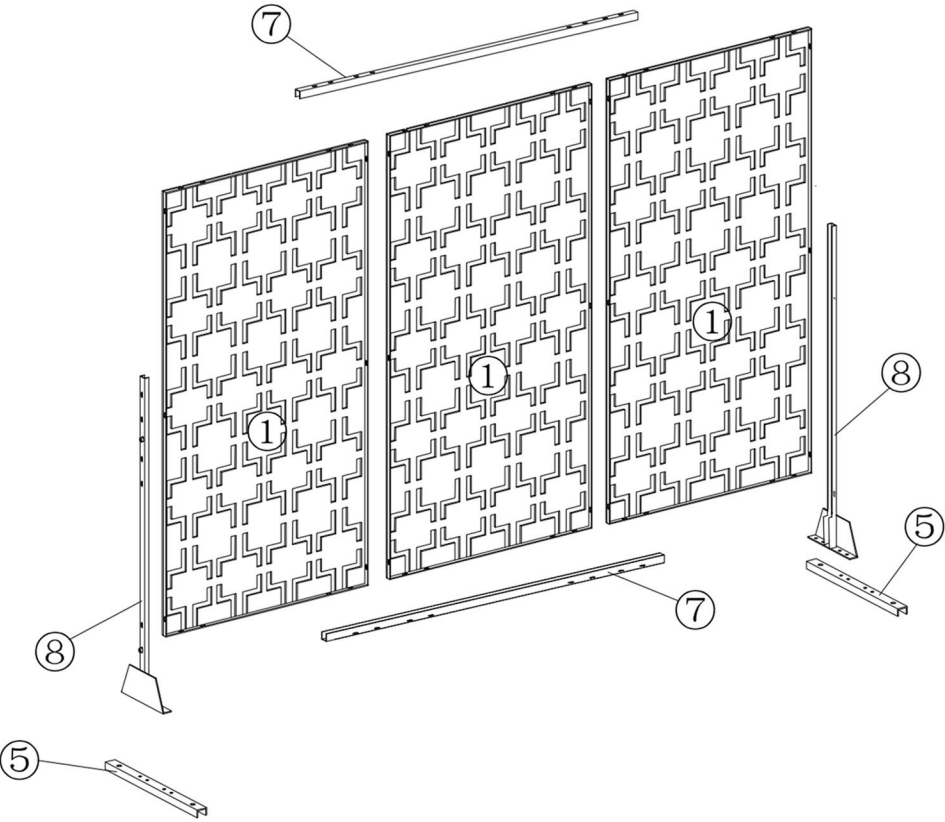
step 2

MAKE SURE ALL THE HOLES IN THE BOTTOM SIDEBAR (8) AND THE SCREEN (1) ARE ALIGNED, THEN USE ALLEN KEY (6) TO LOAD THE BOLT (2) INTO THE HOLE AND FIX THE NUT (3) ON THE BACK SIDE BY HAND, AND THEN USE THE WRENCH (4) TO SCREW THE NUT (3) ON THE BACK SIDE INTO THE BOLT (2) IN THE OPPOSITE DIRECTION UNTIL IT IS COMPLETELY TIGHTEN



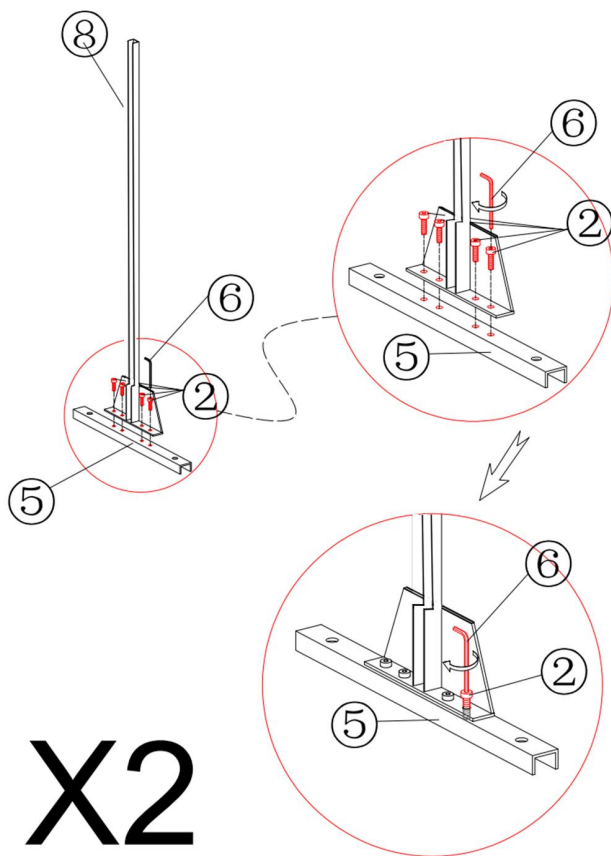
VERTICAL INSTALLATION

EXPLODED VIEW - THREE SCREENS



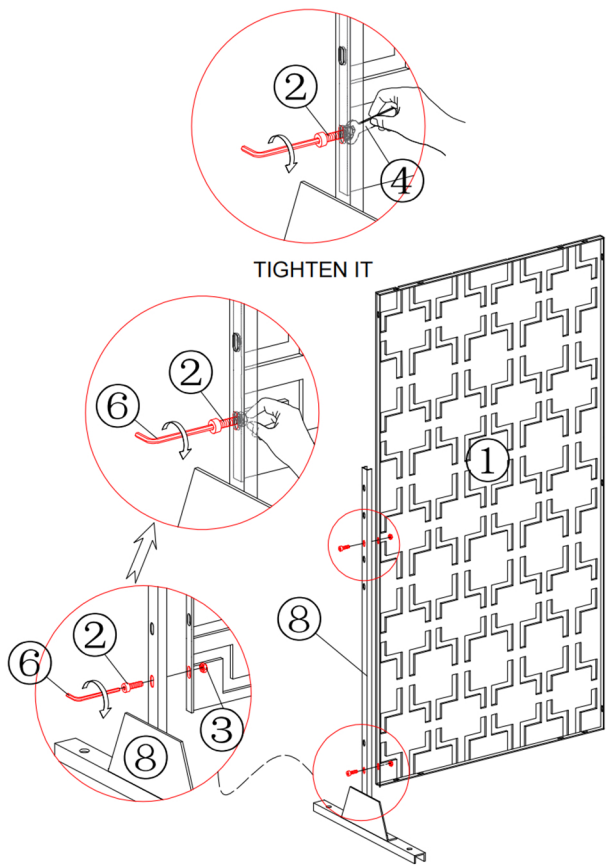
step 1

USE BOLT ② TO ATTACH BOTTOM SIDEBAR ⑧ TO STAND FEET ⑤, TIGHTEN IT WITH ALLEN KEY ⑥.



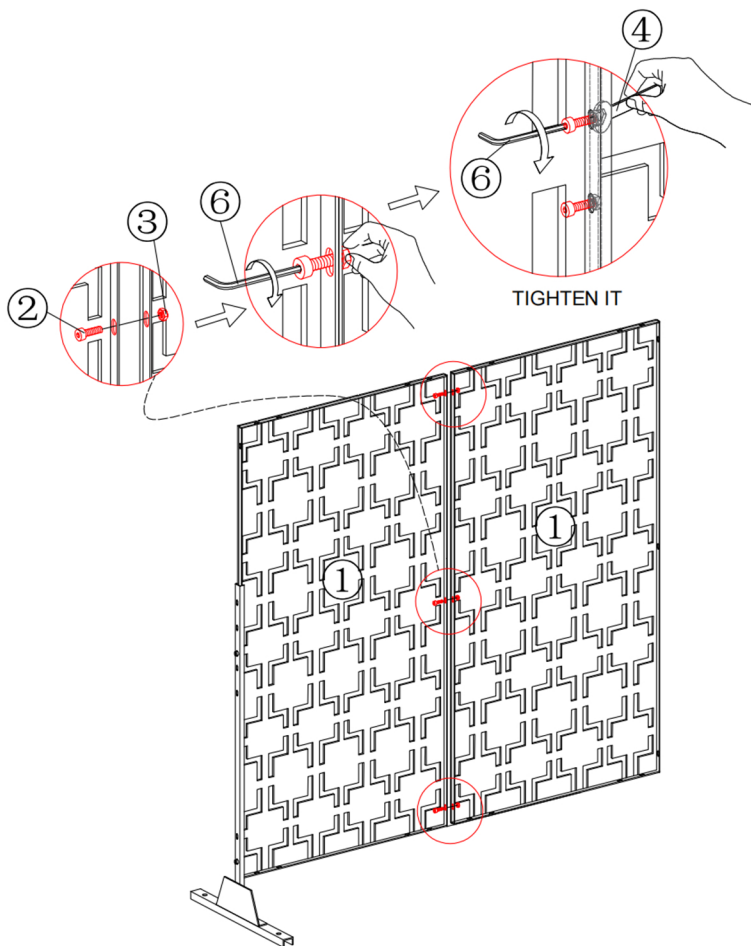
step 2

MAKE SURE ALL THE HOLES IN THE BOTTOM SIDEBAR (8) AND THE SCREEN (1) ARE ALIGNED, THEN USE ALLEN KEY (6) TO LOAD THE BOLT (2) INTO THE HOLE AND FIX THE NUT (3) ON THE BACK SIDE BY HAND, AND THEN USE THE WRENCH (4) TO SCREW THE NUT (3) ON THE BACK SIDE INTO THE BOLT (2) IN THE OPPOSITE DIRECTION UNTIL IT IS COMPLETELY TIGHTEN



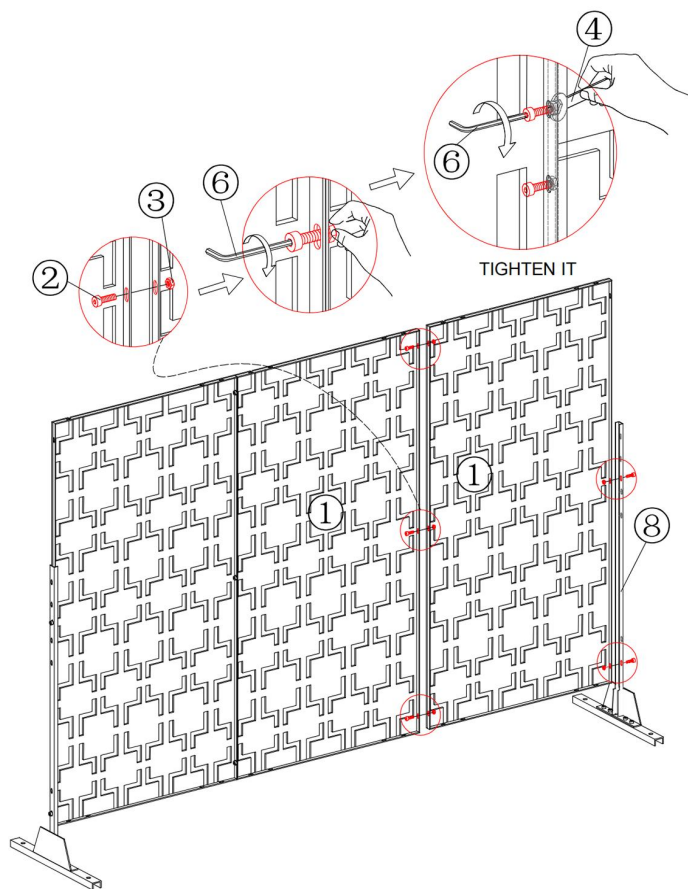
step 3

MAKE SURE ALL HOLES IN BOTH SCREENS ① ARE ALIGNED, THEN USE ALLEN KEY ⑥ TO LOAD THE BOLT ② INTO THE HOLE AND FIX THE NUT ③ ON THE BACK SIDE BY HAND, AND THEN USE THE WRENCH ④ TO SCREW THE NUT ③ ON THE BACK SIDE INTO THE BOLT ② IN THE OPPOSITE DIRECTION UNTIL IT IS COMPLETELY TIGHTEN



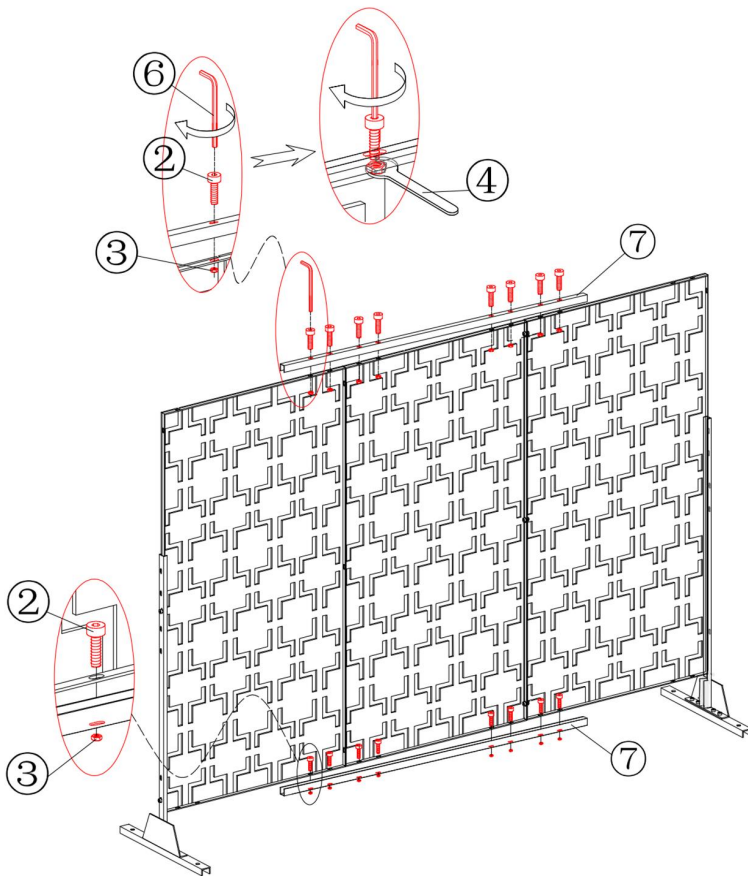
step 4

CONNECT THE SECOND SCREEN ① AND THE THIRD SCREEN ① IN THE SAME INSTALLATION METHOD AS STEP 3, AND CONNECT THE THIRD SCREEN ① AND THE BOTTOM SIDEBAR ⑧ ON THE OTHER SIDE IN THE SAME INSTALLATION METHOD AS STEP 2



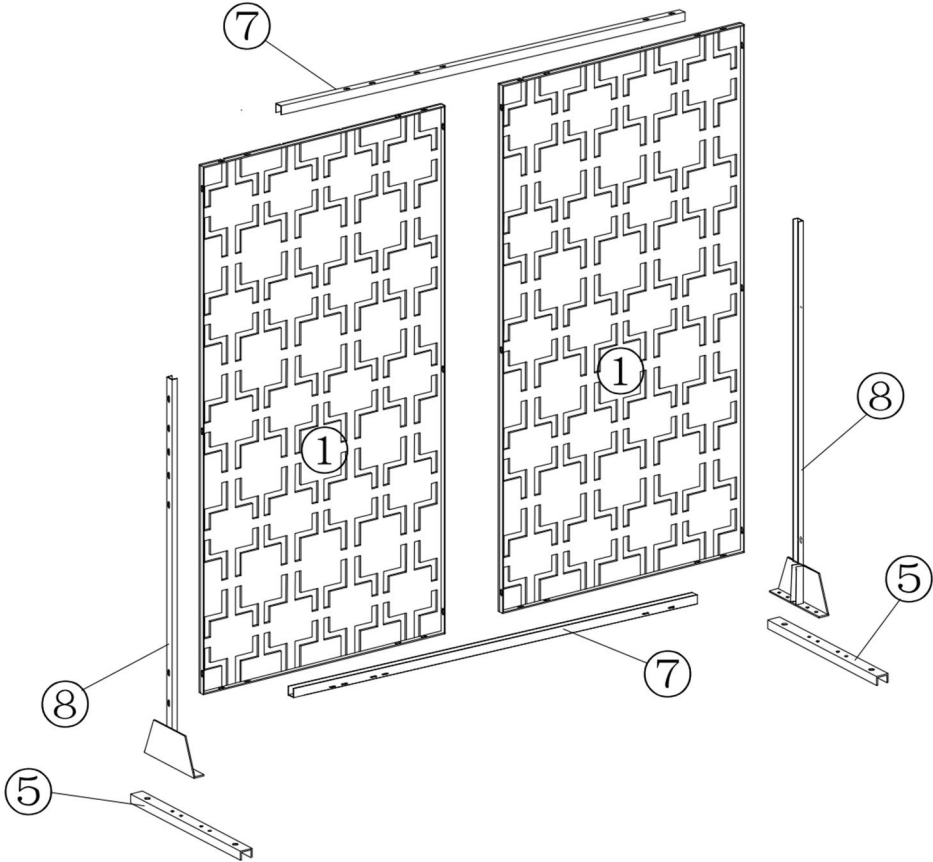
step 5

MAKE SURE ALL THE HOLES IN THE TOP SIDEBAR (7) AND THE THREE SCREENS (1) ARE ALIGNED, THEN USE ALLEN KEY (6) TO LOAD THE BOLT (2) INTO THE HOLE AND FIX THE NUT (3) ON THE BACK SIDE BY HAND, AND THEN USE THE WRENCH (4) TO SCREW THE NUT (3) ON THE BACK SIDE INTO THE BOLT (2) IN THE OPPOSITE DIRECTION UNTIL IT IS COMPLETELY TIGHTEN



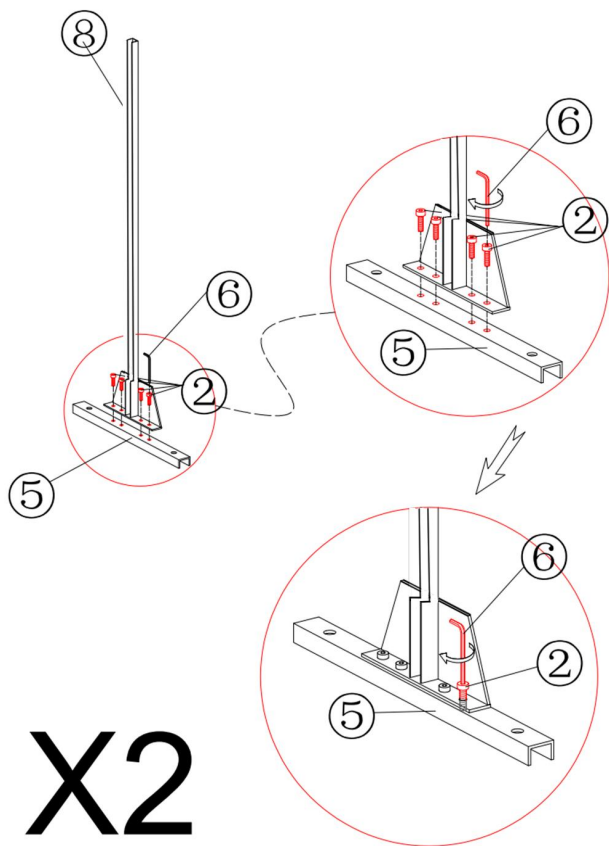
VERTICAL INSTALLATION

EXPLODED VIEW - TWO SCREENS



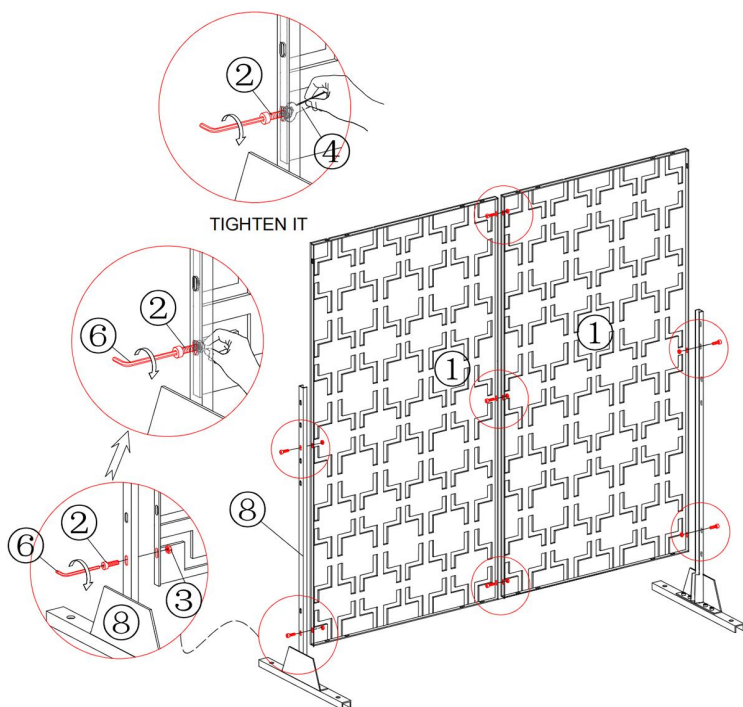
step 1

USE BOLT ② TO ATTACH BOTTOM SIDEBAR ⑧ TO STAND FEET ⑤, TIGHTEN IT WITH ALLEN KEY ⑥.



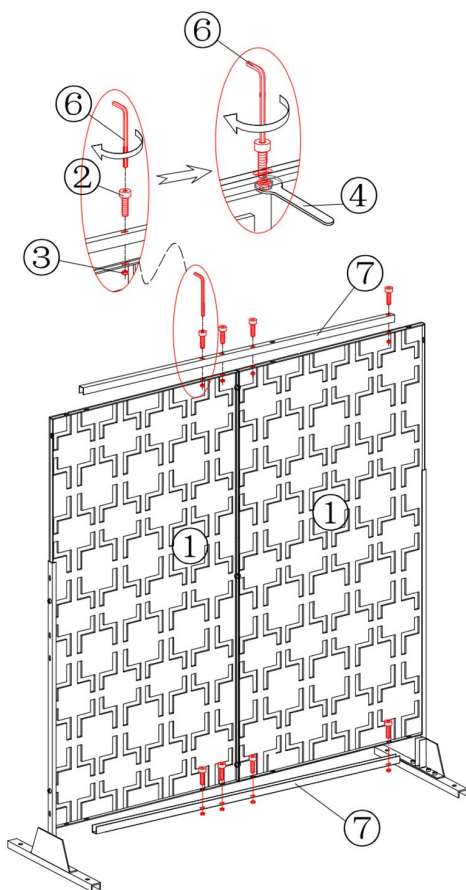
step 2

MAKE SURE THAT ALL THE HOLES IN THE BOTTOM SIDEBAR^⑧ AND THE SCREEN^① ON THE BOTTOM SIDE ARE ALIGNED, THEN USE ALLEN KEY^⑥ TO LOAD THE BOLT^② INTO THE HOLE AND FIX THE NUT^③ ON THE BACK SIDE BY HAND, AND THEN USE THE WRENCH^④ TO SCREW THE NUT^③ ON THE BACK SIDE INTO THE BOLT^② IN THE OPPOSITE DIRECTION UNTIL IT IS COMPLETELY TIGHTEN. THEN USE THE SAME INSTALLATION METHOD TO CONNECT THE LEFT AND RIGHT SCREENS^①, AND FINALLY USE THE SAME WAY TO CONNECT THE SECOND SCREEN^① AND THE BOTTOM SIDEBAR^⑧ ON THE OTHER SIDE.



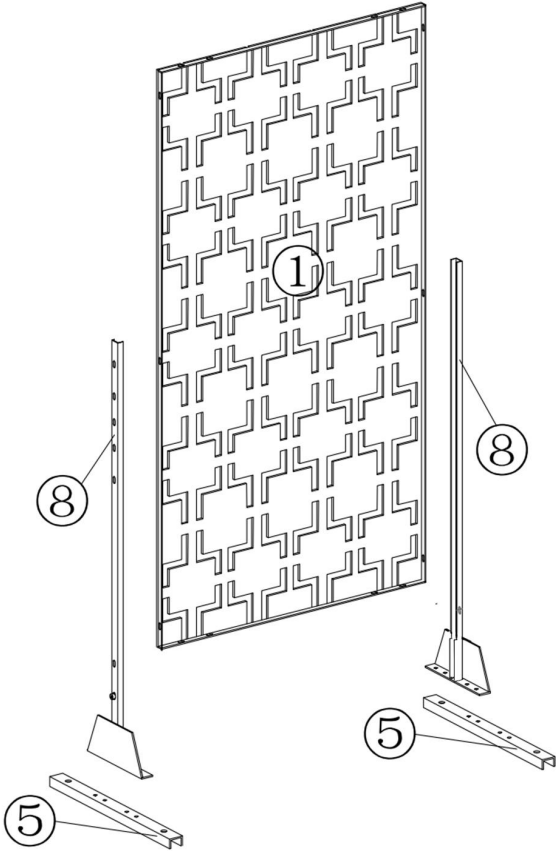
step 3

MAKE SURE ALL THE HOLES IN THE TOP SIDEBAR (7) AND THE TWO SCREENS (1) ARE ALIGNED, THEN USE ALLEN KEY (6) TO LOAD THE BOLT (2) INTO THE HOLE AND FIX THE NUT (3) ON THE BACK SIDE BY HAND, AND THEN USE THE WRENCH (4) TO SCREW THE NUT (3) ON THE BACK SIDE INTO THE BOLT (2) IN THE OPPOSITE DIRECTION UNTIL IT IS COMPLETELY TIGHTEN.



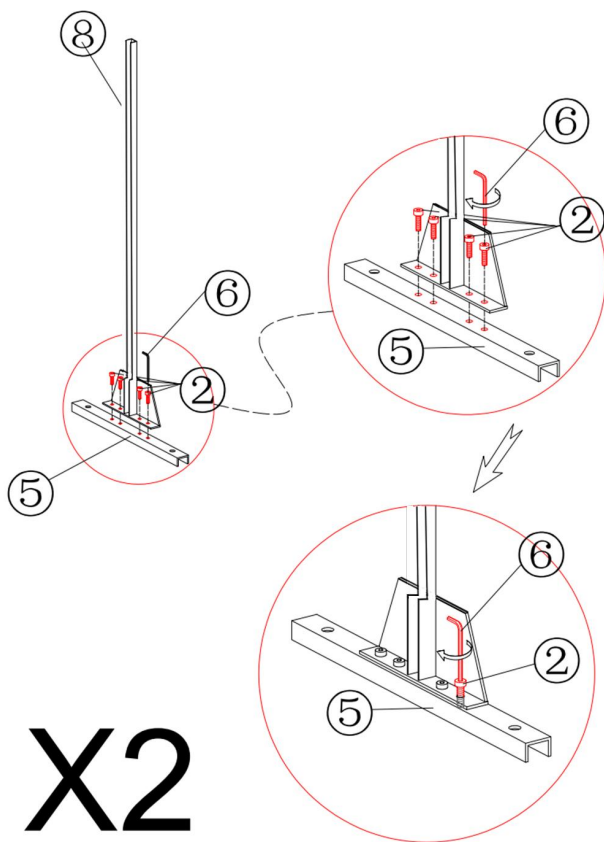
VERTICAL INSTALLATION

EXPLODED VIEW - SINGLE SCREEN



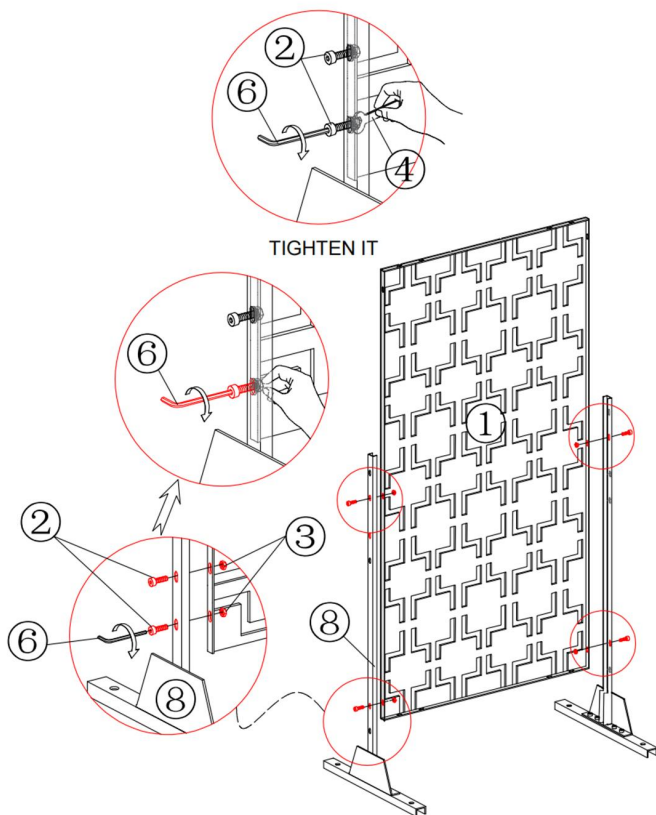
step 1

USE BOLT ② TO ATTACH BOTTOM SIDEBAR ⑧ TO STAND FEET ⑤, TIGHTEN IT WITH ALLEN KEY ⑥.



step 2

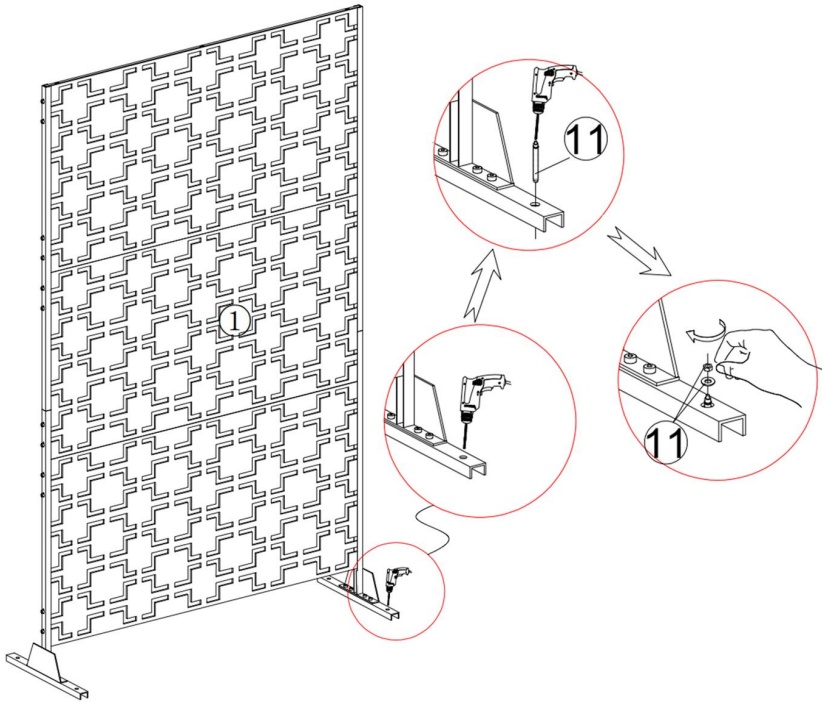
MAKE SURE ALL THE HOLES IN THE BOTTOM SIDEBAR (8) AND THE SCREEN (1) ARE ALIGNED, THEN USE ALLEN KEY (6) TO LOAD THE BOLT (2) INTO THE HOLE AND FIX THE NUT (3) ON THE BACK SIDE BY HAND, AND THEN USE THE WRENCH (4) TO SCREW THE NUT (3) ON THE BACK SIDE INTO THE BOLT (2) IN THE OPPOSITE DIRECTION UNTIL IT IS COMPLETELY TIGHTEN



Install the hard grounds

WHEN THIS PRODUCT IS USED ON HARD GROUND, IN ORDER TO PREVENT THE SCREEN FROM TIPPING OVER, WE USE EXPANSION SCREWS¹¹ FOR REINFORCEMENT TREATMENT, AND FOLLOW THE STEPS BELOW:

1. USE AN ELECTRIC DRILL TO MAKE THE CORRESPONDING HOLES
2. INSERT THE EMBEDDED EXPANSION SCREW
3. REINFORCEMENT WITH NUT SPACER.

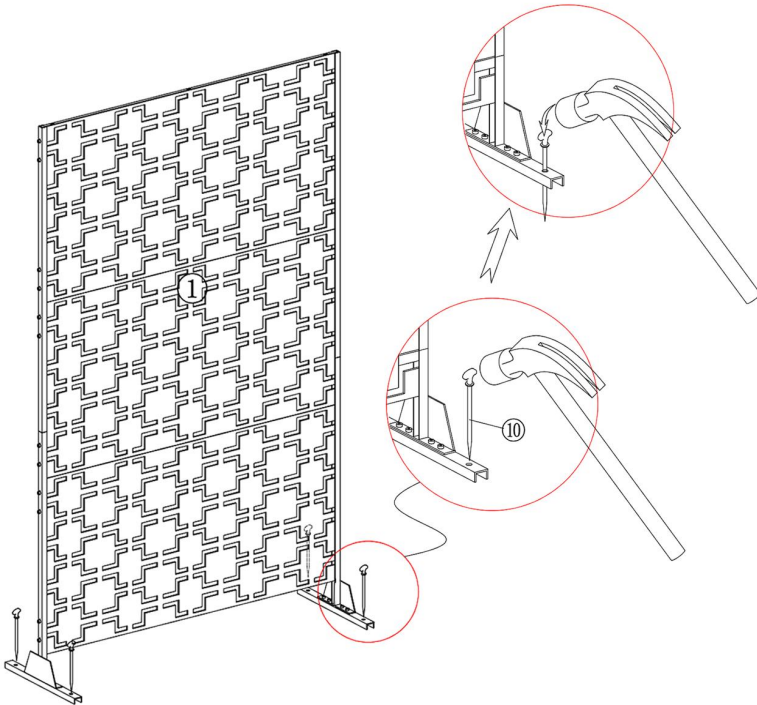


Install the soft grounds

WHEN THIS PRODUCT IS USED ON THE SOIL FLOOR, THIS PART IS USED TO FIX THE SCREEN TO PREVENT THE SCREEN BEING BLOWN DOWN BY THE WIND.

METHOD: ASSEMBLE THE SCREEN AND PLACE IT IN THE POSITION TO BE INSTALLED.

INSERT THE GROUND STAKES¹⁰ IN THIS PACK INTO THE GROUND THROUGH THE FIXED HOLE ON THE SCREEN FOOT. USE A HAMMER OR APPROPRIATE TOOL TO HIT THE TOP OF THE GROUND STAKES¹⁰ UNTIL THE GROUND STAKES¹⁰ ARE COMPLETELY INSERTED INTO THE GROUND TO FIX THE SCREEN.

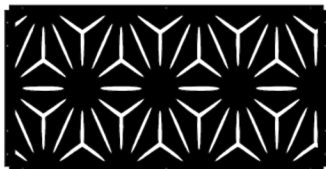


Style selection

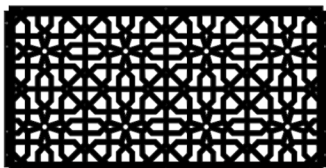
WE HAVE VARIOUS CHOICES OF PATTEM FOR YOU.



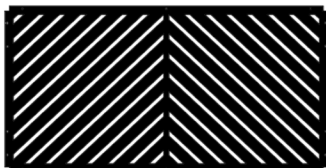
OS0001



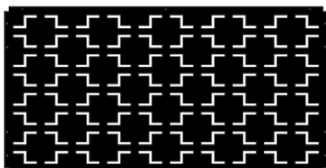
OS0005



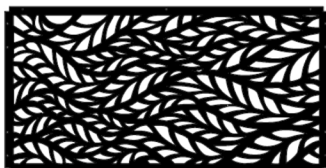
OS0002



OS0006



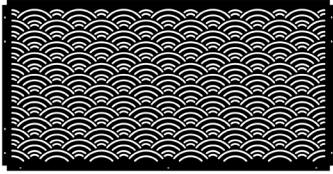
OS0003



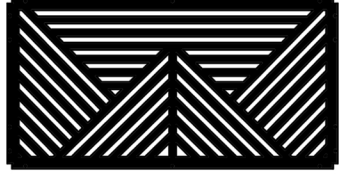
OS0007



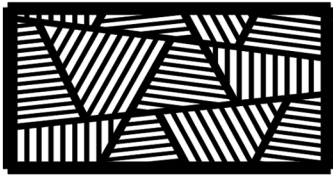
OS0004



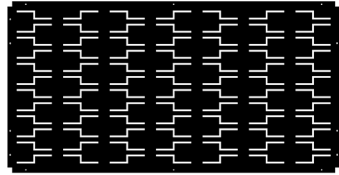
OS0009



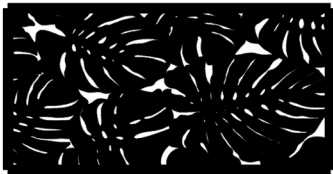
OS00012



OS00010



OS00013



OS00011



OS00014

UIXE

ASSEMBLY INSTRUCTIONS

Tel.5627813327

Please contact us:info@firstopintl.com

<https://www.dreamsidea.com>