



see what Delta can do™

86603



X00086603

# SINGLE HANDLE KITCHEN FAUCET LLAVE DE FREGADERO UNA MANIJA ROBINET DE CUISINE À UNE MANETTE

Model/Modelo/Modèle

**B1310LF-▲**

**B3310LF-▲**

**B4410LF-▲**

Write purchased model number here.  
Escriba aquí el número del modelo comprado.  
Inscrivez le numéro de modèle ici.

▲ Specify Finish/Especifique el Acabado/Précisez le Fini

Register Online  
Regístrese en línea  
S'enregistrer en ligne  
[www.deltafaucet.com/registerme](http://www.deltafaucet.com/registerme)

To reference replacement parts and access additional technical documents and product info, visit [www.deltafaucet.com](http://www.deltafaucet.com)

Para referencia sobre las piezas de repuesto y acceder a documentos técnicos adicionales e información del producto, visite [www.deltafaucet.com](http://www.deltafaucet.com)

Pour obtenir la référence des pièces de rechange ainsi que pour avoir accès à d'autres documents techniques et renseignements sur le produit, allez à [www.deltafaucet.com](http://www.deltafaucet.com)



1-800-345-DELTA (3358)  
[customerservice@deltafaucet.com](mailto:customerservice@deltafaucet.com)

Read all instructions prior to installation.

### CAUTION

Failure to read these instructions prior to installation may result in personal injury, property damage, or product failure. Manufacturer assumes no responsibility for product failure due to improper installation.

Lea todas las instrucciones antes de hacer la instalación.

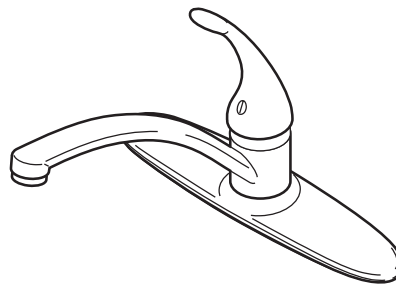
### ADVERTENCIA

El no leer estas instrucciones de instalación puede resultar en lesiones personales, daños a la propiedad, o falla en el funcionamiento del producto. El fabricante no asume ninguna responsabilidad por la falla del producto debido a una instalación incorrecta.

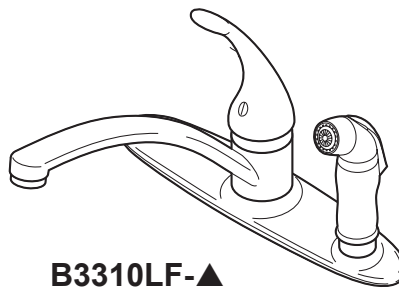
Veuillez lire toutes les instructions avant l'installation.

### AVERTISSEMENT

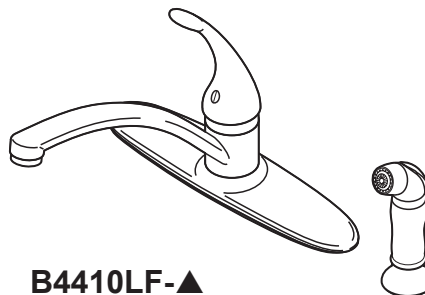
L'omission de lire les présentes instructions avant l'installation peut entraîner des blessures, des dommages matériels ou le bris du produit. Le fabricant se dégage de toute responsabilité à l'égard d'un bris du produit causé par une mauvaise installation.



**B1310LF-▲**

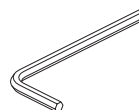
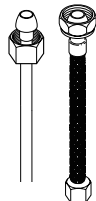


**B3310LF-▲**

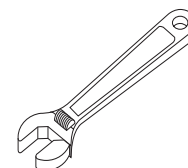


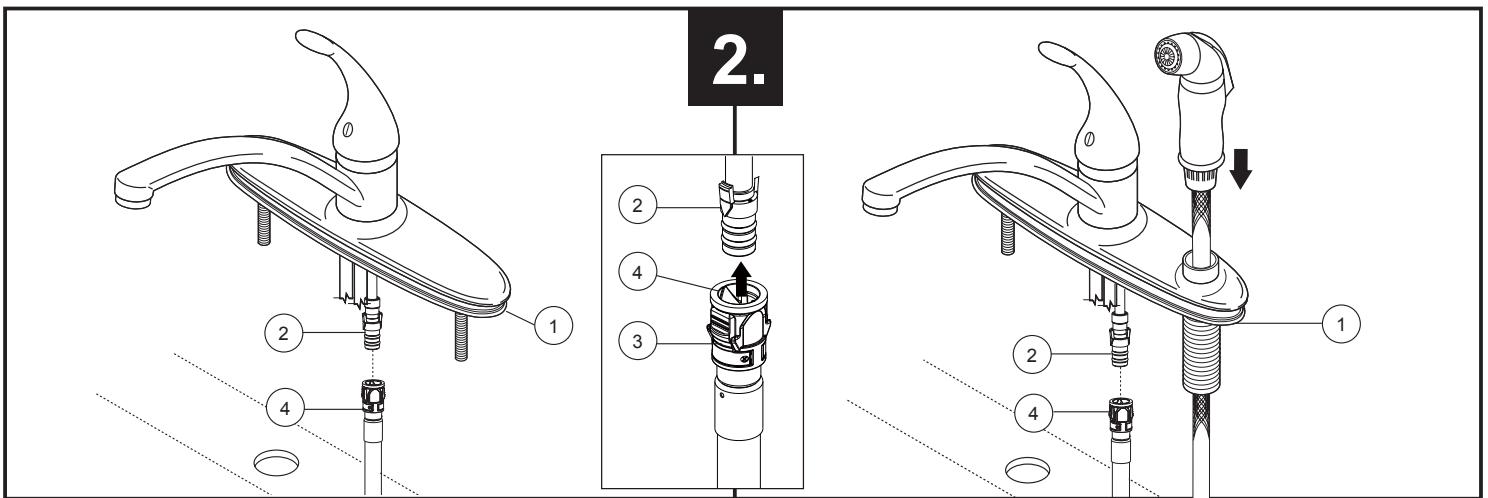
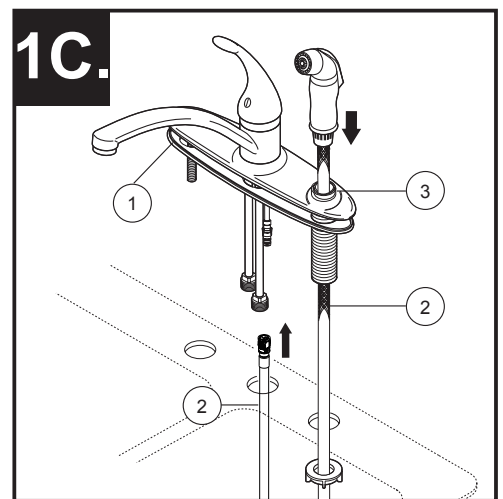
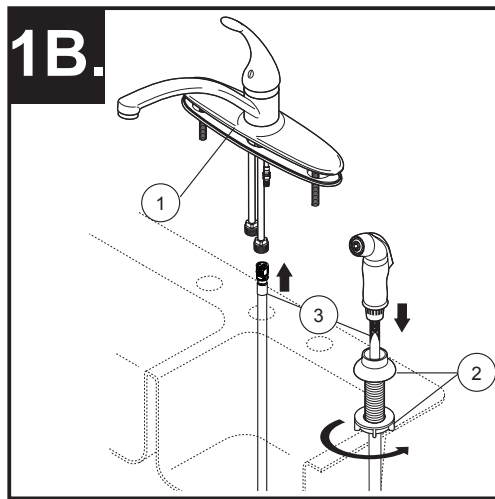
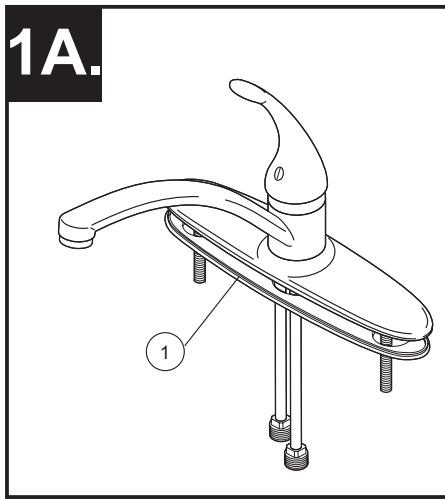
**B4410LF-▲**

You may need:  
Usted puede necesitar:  
Articles dont vous pouvez avoir besoin :



1/8" (3.17mm)





**1A.** For Models Without a Spray Unit  
**SHUT OFF WATER SUPPLIES.** Remove old faucet. Place gasket (1) on bottom of new faucet. Proceed to step 3.

**1C.** For Models with an Integral Spray Support  
**SHUT OFF WATER SUPPLIES.** Remove old faucet. Place gasket (1) on bottom of new faucet. Insert spray hose (2) down through spray support (3) on escutcheon and far right hole in sink. Place locknut (4) on spray hose (2) and then insert spray hose up through center hole in sink.

**1B.** For Models with a Spray Unit  
**SHUT OFF WATER SUPPLIES.** Remove old faucet. Place gasket (1) on bottom of new faucet. Mount spray support (2) in far right hole in sink. Insert spray hose (3) down through the support and up through center hole of sink.

**2.** Ensure gasket (1) is properly placed under the escutcheon. Align tabs (2) and tabs (3) on quick connects (4). Push quick connects firmly upward and snap onto receiving tube tab (2). Pull down moderately to ensure each connection has been made.

**1A.** Para Modelos Sin Rociador  
**CIERRE LOS SUMINISTROS DE AGUA.** Quite la llave vieja. Coloque el empaque (1) en la parte inferior de la llave. Continúe con el paso 3.

**1C.** Para Modelos Con Rociador Integral  
**CIERRE LOS SUMINISTROS DE AGUA.** Quite la llave vieja. Coloque el empaque (1) en la parte inferior de la llave. Inserte la manguera del rociador (2) hacia abajo pasando por la base del rociador (3) en el chapetón, situada en el hueco en la esquina derecha del fregadero. Coloque la contratuerca (4) en la manguera del rociador (2) y luego inserte la manguera hacia arriba por el hueco en el centro del fregadero.

**1B.** Para Modelos Con Rociador  
**CIERRE LOS SUMINISTROS DE AGUA.** Quite la llave vieja. Coloque el empaque (1) en la parte inferior de la llave. Instale el soporte (2) del rociador en el fregadero. Inserte la manguera (3) hacia abajo pasando por la base del rociador, y luego hacia arriba a través del hueco en el centro del fregadero.

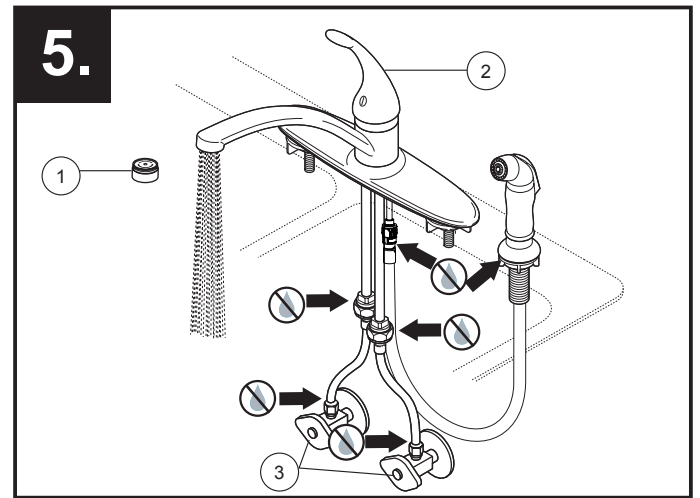
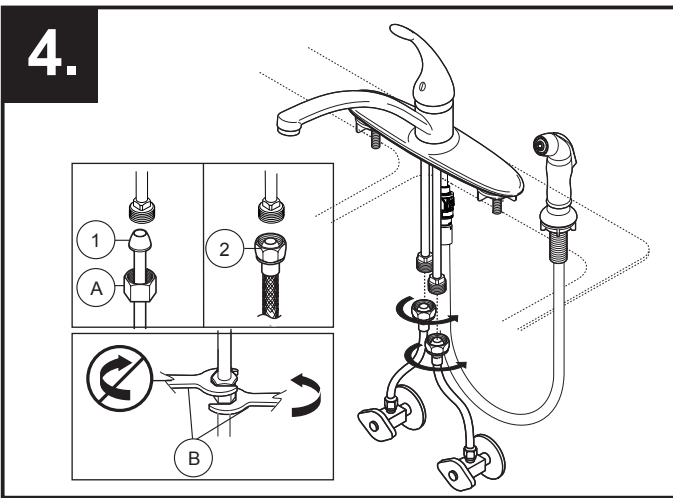
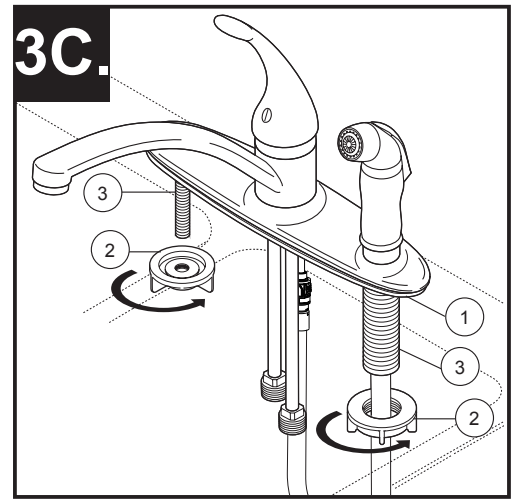
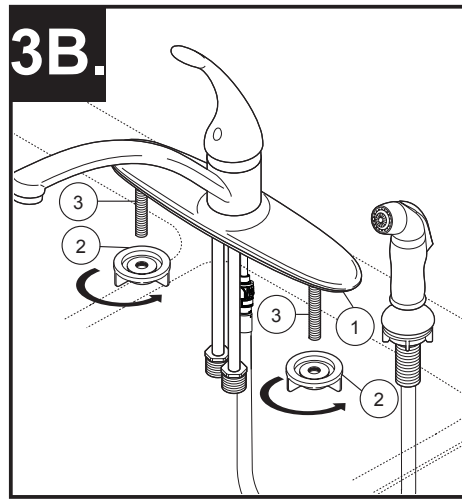
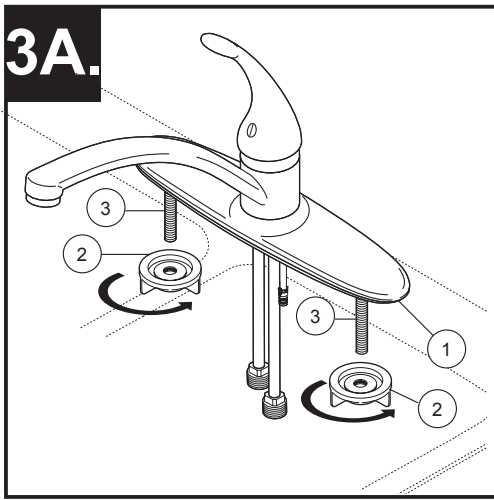
**2.** Asegure que el empaque (1) esté sentado apropiadamente debajo del chapetón. Alinee las lengüetas (2) con las lengüetas (3) en las conexiones rápidas (4). Firmemente presione las conexiones rápidas hacia arriba y a presión en la lengüeta del tubo receptor (2). Hale hacia abajo moderadamente para asegurar que cada conexión se ha hecho.

**1A.** Modèles Sans Douchette  
**INTERROMPEZ L'ARRIVÉE D'EAU.** Déposez le vieux robinet. Placez le joint (1) contre le dessous du robinet neuf. Passez à l'étape 3.

**1C.** Modèles Avec Logement de Douchette  
**INTERROMPEZ L'ARRIVÉE D'EAU.** Déposez le vieux robinet. Placez le joint (1) contre le dessous du robinet neuf. Introduisez le tuyau (2) de la douchette par le haut dans le support (3) de la douchette situé sur la plaque de finition, à l'extrême droite de l'évier. Placez l'écrou freiné (4) sur le tuyau (2), puis faites remonter le tuyau dans le trou au centre de l'évier.

**1B.** Modèles Avec Douchette  
**INTERROMPEZ L'ARRIVÉE D'EAU.** Déposez le vieux robinet. Placez le joint (1) contre le dessous du robinet neuf. Montez le support de la douchette (2) dans le trou à l'extrême droite de l'évier. Par le dessus, introduisez le tuyau de la douchette (3) dans le support et l'évier. Puis faites remonter le tuyau dans le trou au centre de l'évier.

**2.** Assurez-vous que le joint (1) est bien calé sous la plaque de finition. Alignez les pattes (2) et les pattes (3) des raccords rapides (4). Poussez les raccords rapides fermement vers le haut jusqu'à ce qu'ils s'accrochent à la patte du tube récepteur (2). Tirez modérément sur le raccord pour en vérifier la solidité.



**3.** Ensure gasket (1) is properly seated under the escutcheon. **OPTION: Use silicone under the gasket if deck surface is rough or uneven.** Set faucet into place and screw locknuts (2) onto threaded shanks (3) and hand tighten. No wrench is required.

**4. CONNECT TO WATER SUPPLIES. (HOOK-UPS NOT PROVIDED).** Determine which type of connection you will be making. (1) Ball nose risers (3/8" O.D. copper tubing) with coupling nuts (A) or (2) 1/2" I.P.S faucet connectors. **Important: When making connections be sure to use two wrenches when tightening (B). Do not overtighten.**

**5. FLUSH SYSTEM/CHECK FOR LEAKS.** Remove aerator (1) and turn faucet handle (2) all the way on. Turn on hot and cold water supplies (3) and flush water lines for one minute. **Important: This flushes away any debris that could cause damage to internal parts. Check all connections at arrows for leaks.** Replace aerator. Re-tighten if necessary, but do not overtighten.

**3.** Asegure que el empaque (1) esté sentado apropiadamente debajo del chapetón. **OPCIÓN: Use silicón por debajo del empaque si el borde está desnivelado.** Coloque la llave en su sitio y atornille las contratuercas. Atornille las contratuercas (2) sobre las espigas roscadas (3) y apriételas a mano. No se requiere llave de tuerca.

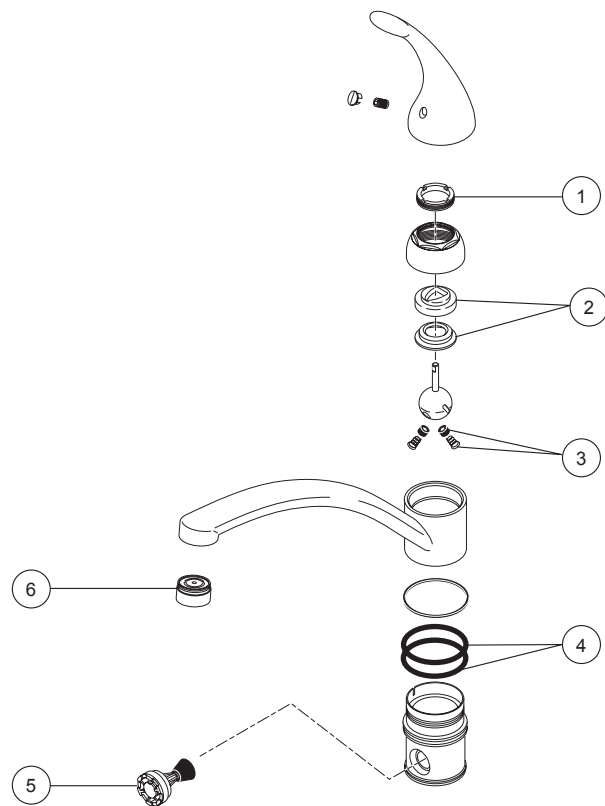
**4. CONECTE A LOS SUMINISTROS DE AGUA. (LAS CONEXIONES NO SON PROPORCIONADAS).** Determine que tipo de conexión usted va a hacer. (1) Tubos montantes de nariz redondeada (tubería de cobre de 3/8" D.E.) con tuercas de acoplamiento (A), o (2) conectadores de llave I.P.S. de 1/2". **Importante: Utilice dos llaves de tuercas cuando apriete (B). No apriete demasiado.**

**5. DEJE CORRER EL AGUA POR EL SISTEMA/EXAMINE POR SI HAY FILTRACIONES.** Quite el aireador (1) y gire las manijas de la llave (2) completamente a la posición abierta. Abra los suministros (3) de agua caliente y fría y deje que el agua corra por las líneas por un minuto. **Importante: Esto limpia cualquier escombros que pudiera causar daño a las partes internas. Examine para asegurarse que no haya filtraciones. Reemplace el aireador. Apriete de nuevo si es necesario, pero no apriete demasiado.**

**3.** Assurez-vous que le joint (1) est bien calé sous la plaque de finition. **FACULTATIF : appliquez du composé d'étanchéité à la silicone sous le joint si la surface de la plage est rugueuse ou inégale.** Ajustez le robinet en place, puis montez les écrous freinés (2) sur les tiges filetées (3) et serrez-les à la main. Vous n'avez pas besoin d'une clé.

**4. RACCORDMENT À LA TUYAUTERIE D'ALIMENTATION (RACCORDS NON FOURNIS)** Vous pouvez utiliser l'un ou l'autre des modes de branchement suivants: (1) Tubes-raccords à extrémité arrondie (tube de cuivre 3/8 po d.e.) avec écrous de raccordement (A) ou, (2) raccords 1/2 po IPS pour robinetterie. **Important: Utilisez deux clés pour serrer les raccords (B). Prenez garde de trop serrer.**

**5. RINÇAGE DE L'INSTALLATION ET VÉRIFICATION DE L'ÉTANCHÉITÉ.** Retirez l'aérateur (1) et tournez les poignées (2) du robinet pour ouvrir celui-ci complètement. Rétablissez l'alimentation en eau chaude et en eau froide (3), puis laissez s'écouler l'eau une minute. **Important: Il faut laisser s'écouler l'eau pour évacuer les saletés qui pourraient abîmer les éléments internes du robinet.** Vérifiez l'étanchéité. Remettez l'aérateur en place. Serrez-les de nouveau au besoin, mais prenez garde de trop serrer.



## Maintenance

### SHUT OFF WATER SUPPLIES

#### If faucet leaks from under handle:

Remove Handle and tighten Adjusting Ring (1).

#### If leak persists:

Replace Cam & Packing (2), Repair Kit RP77763.

#### If faucet leaks from spout:

Replace Seats & Springs (3), Repair Kit RP77763.

#### If faucet leaks from around spout body:

Replace O-Rings (4), Repair Kit RP44124.

#### If spray attachment does not function properly:

- Remove and clean Diverter Assembly (5), or
- Replace Diverter Assembly (5), Repair Kit RP44124.

#### If faucet exhibits very low flow:

- Remove and clean Aerator (6), or
- Clean Seats and Springs (3) of any debris.

## Mantenimiento

### CIERRE LOS SUMINISTROS DE AGUA

#### Si la llave tiene filtraciones desde la parte debajo de la manija:

Quite la manija y apriete el Anillo de Ajuste (1).

#### Si la fuga persiste:

Reemplace Leva y Empaque (2), RP77763.

#### Si la llave tiene fugas en la salida:

Reemplace los Asientos y Resortes (3), RP77763.

#### Si el llave tiene fugas alrededor de cuerpo de salida:

Reemplace el Anillo "O" (4), RP44124.

#### Si el ensamble del rociador no funciona bien:

- Quite y limpie Ensamble del Desviador (5), o
- Reemplace Ensamble del Desviador, Equipo para Reparación RP44124.

#### Si la llave muestra un flujo muy bajo:

- Quite y limpie el Aireador (6), o
- Limpie los Asientos y Resortes (3) de cualquier escombros.

## Entretien

### INTERROMPEZ L'ARRIVÉE D'EAU

#### Le robinet fuit par le dessous de la poignée:

Retirez la poignée et serrez l'anneau de réglage (1).

#### Si la fuite persiste :

Remplacez Camet et garniture, kit de réparation RP77763.

#### Si le robinet fuit à la sortie du bec :

Remplacez les sièges et les ressorts (3), kit de réparation RP77763.

#### Si le robinet fuit à la base du bec :

Enlevez le bec et remplacez les joints toriques du bec (4), kit de réparation RP44124.

#### Si la douchette fonctionne mal :

- Enlevez la dérivation (5) et nettoyez-la, ou
- Remplacez la dérivation, kit de réparation RP44124.

#### Si le débit du robinet est très faible :

- Enlevez et nettoyez l'aérateur (6), ou
- Enlevez tout dépôt aux sièges et aux ressorts (3).

## **Cleaning and Care**

Care should be given to the cleaning of this product. Although its finish is extremely durable, it can be damaged by harsh abrasives or polish. To clean, simply wipe gently with a damp cloth and blot dry with a soft towel.

## **Limpeza y Cuidado de su Llave**

Tenga cuidado al limpiar este producto. Aunque su acabado es sumamente durable, puede ser afectado por agentes de limpieza o para pulir abrasivos. Para limpiar su llave, simplemente frótela con un trapo húmedo y luego séquela con una toalla suave.

## **Instructions de nettoyage**

Care should be given to the cleaning of this product. Although its finish is extremely durable, it can be damaged by harsh abrasives or polish. To clean, simply wipe gently with a damp cloth and blot dry with a soft towel.

## Limited Warranty on Delta® Faucets

**Parts and Finish:** All parts (other than electronic parts and batteries) and finishes of Delta® faucets purchased from authorized Delta sellers are warranted to the original consumer purchaser to be free from defects in material and workmanship for as long as the original consumer purchaser owns the home in which the faucet was first installed. For commercial purchasers, (a) the warranty period is ten (10) years for multi-family residential applications and (b) five (5) years for all other commercial applications, in each case from the date that the product is received by the original purchaser or their authorized representative (installation contractor, etc.). For purposes of this warranty, the term "multi-family residential application" refers to the purchase of the faucet from an authorized Delta seller by a purchaser who owns but does not live in the residential dwelling in which the faucet is initially installed, such as in a rented or leased single unit or multi-unit detached home (duplex or townhome), or a condominium, apartment building or community living center. The following installations are not considered multi-family residential applications, are excluded from the 10-year warranty and are subject to the 5-year warranty: industrial, institutional or other business premises, such as a dormitory, hospitality premises (hotel, motel or extended stay location), airport, educational facility, long- or short-term healthcare facility (hospital, rehabilitation center, nursing, assisted or staged-care living unit), public space or common area.

**Parts and Finish for Delta® Recertified Faucets:** Delta Faucet Company offers for sale online Delta® Recertified faucets. Delta® Recertified faucets only include faucets that have been certified as such by Delta Faucet Company. All parts (other than electronic parts and batteries) and finishes of these Delta® Recertified faucets are warranted to the original consumer purchaser to be free from defects in material and workmanship for ten (10) years from the date that the product is received by the original purchaser or their authorized representative (installation contractor, etc.). For commercial purchasers, the warranty period is one (1) year from the date that the product is received by the original purchaser or their authorized representative (installation contractor, etc.).

**Electronic Parts:** Electronic parts (other than batteries), if any, of Delta® faucets purchased from [deltafaucet.com](http://deltafaucet.com) or authorized Delta sellers are warranted to the original consumer purchaser to be free from defects in material and workmanship for five (5) years from the date that the product is received by the original purchaser or their authorized representative (installation contractor, etc.) or, for commercial purchasers, for one (1) year from the date that the product is received by the original purchaser or their authorized representative (installation contractor, etc.). No warranty is provided on batteries.

**What We Will Do:** Delta Faucet Company will repair or replace, free of charge, during the applicable warranty period (as described above), any part or finish that proves defective in material and/or workmanship under normal installation, use and service. Delta Faucet Company may, in its sole discretion, use new, refurbished or recertified parts or products for such repair or replacement. If repair or replacement is not practical, Delta Faucet Company may elect to refund the purchase price in exchange for the return of the product. **These are your exclusive remedies.**

**What Is Not Covered:** Because Delta Faucet Company is unable to control the quality of Delta products sold by unauthorized sellers, unless otherwise prohibited by law, this warranty does not cover Delta products purchased from unauthorized sellers.

Any labor charges incurred by the purchaser to repair, replace, install or remove this product are not covered by this warranty. Delta Faucet Company shall not be liable for any damage to the faucet resulting from reasonable wear and tear, outdoor use, misuse (including use of the product for an unintended application), freezing water, abuse, neglect or improper or incorrectly performed installation, maintenance or repair, including failure to follow the applicable care and cleaning instructions. Delta Faucet Company recommends using a professional plumber for all installation and repair of faucets. We also recommend that you use only genuine Delta® replacement parts.

**What You Must Do To Obtain Warranty Service or Replacement Parts:** A warranty claim may be made and replacement parts may be obtained by calling 1 800 345 DELTA (3358) or by contacting us by mail or online as follows (please include your model number, date of original purchase and documentation of the date of receipt of the product by the original purchaser or their authorized representative (installation contractor, etc.)):

**In the United States and Mexico:**  
Delta Faucet Company  
55 E. 111th Street  
Carmel, IN 46280  
Attention: Warranty Service  
[www.deltafaucet.com/service-parts/contact-us](http://www.deltafaucet.com/service-parts/contact-us)

**In Canada:**  
Masco Canada Limited, Plumbing Group  
Technical Service Centre  
350 South Edgeware Road  
St. Thomas, Ontario, Canada N5P 4L1  
Attention: Customer Service  
<http://www.deltafaucet.ca/customersupport/assistance.html>

Proof of purchase (original sales receipt showing purchase date) and documentation of the date of receipt of the product by the original purchaser or their authorized representative (installation contractor, etc.) from the original purchaser must be made available to Delta Faucet Company for all warranty claims unless the purchaser has registered the product with Delta Faucet Company or the product is a Delta® Recertified product purchased from [deltafaucet.com](http://deltafaucet.com). This warranty applies only to Delta® faucets manufactured after January 1, 2019 and installed in the United States of America, Canada and Mexico.

**Limitation on Duration of Implied Warranties:** Please note that some states/provinces (including Quebec) do not allow limitations on how long an implied warranty lasts, so the below limitations may not apply to you. TO THE MAXIMUM EXTENT PERMITTED BY APPLICABLE LAW, ANY IMPLIED WARRANTY, INCLUDING THE IMPLIED WARRANTIES OF MERCHANTABILITY AND OF FITNESS FOR A PARTICULAR PURPOSE, IS LIMITED TO THE STATUTORY PERIOD OR THE DURATION OF THIS WARRANTY, WHICHEVER IS SHORTER.

**Limitation of Special, Incidental or Consequential Damages:** Please note that some states/provinces (including Quebec) do not allow the exclusion or limitation of special, incidental or consequential damages, so the below limitations and exclusions may not apply to you. TO THE MAXIMUM EXTENT PERMITTED BY APPLICABLE LAW, THIS WARRANTY DOES NOT COVER, AND DELTA FAUCET COMPANY SHALL NOT BE LIABLE FOR, ANY SPECIAL, INCIDENTAL OR CONSEQUENTIAL DAMAGES (INCLUDING LABOR CHARGES TO REPAIR, REPLACE, INSTALL OR REMOVE THIS PRODUCT), WHETHER ARISING OUT OF BREACH OF ANY EXPRESS OR IMPLIED WARRANTY, BREACH OF CONTRACT, TORT, OR OTHERWISE. DELTA FAUCET COMPANY SHALL NOT BE LIABLE FOR ANY DAMAGE TO THE FAUCET RESULTING FROM REASONABLE WEAR AND TEAR, OUTDOOR USE, MISUSE (INCLUDING USE OF THE PRODUCT FOR AN UNINTENDED APPLICATION), FREEZING WATER, ABUSE, NEGLIGENCE OR IMPROPER OR INCORRECTLY PERFORMED INSTALLATION, MAINTENANCE OR REPAIR, INCLUDING FAILURE TO FOLLOW THE APPLICABLE INSTALLATION, CARE AND CLEANING INSTRUCTIONS. Notice to residents of the State of New Jersey: The provisions of this warranty, including its limitations, are intended to apply to the fullest extent permitted by the laws of the State of New Jersey.

**Additional Rights:** This warranty gives you specific legal rights, and you may also have other rights which vary from state/province to state/province. This is Delta Faucet Company's exclusive written warranty and the warranty is not transferable.

If you have any questions or concerns regarding our warranty, please contact us as provided above or view our Warranty FAQs at [www.deltafaucet.com](http://www.deltafaucet.com).

© 2023 Masco Corporation of Indiana

### Garantía limitada de las llaves de agua/grifos Delta® Faucet

**Piezas y Acabado:** Todas las piezas (excepto las piezas electrónicas y las baterías) y los acabados de las llaves de agua Delta® comprados a vendedores autorizados de Delta están garantizados para el comprador consumidor original estar libres de defectos de materiales y mano de obra durante el tiempo que el comprador consumidor original sea dueño de la casa en la que la llave de agua se instaló por primera vez. Para compradores comerciales, (a) el período de garantía es de diez (10) años para aplicaciones residenciales multifamiliares y (b) cinco (5) años para todas las demás aplicaciones comerciales, en cada caso a partir de la fecha en que el comprador original o su representante autorizado (contratista de instalación, etc.) recibió el producto. A los efectos de esta garantía, el término "aplicación residencial multifamiliar" se refiere a la compra de la llave de agua a un vendedor autorizado de Delta por parte de un comprador que es propietario pero no vive en la vivienda residencial en la que se instaló inicialmente la llave de agua, como en una unidad individual alquilada o arrendada o en una vivienda unifamiliar de varias unidades (dúplex o casa adosada), o en un condominio, edificio de apartamentos o centro de vivienda comunitaria. Las siguientes instalaciones no se consideran aplicaciones residenciales multifamiliares, están excluidas de la garantía de 10 años y están sujetas a la garantía de 5 años: instalaciones industriales, institucionales u otras instalaciones comerciales, como dormitorios, instalaciones de hospitalidad (hotel, motel o ubicación de estadía prolongada), aeropuerto, centro educativo, centro de atención médica a corto o largo plazo (hospital, centro de rehabilitación, enfermería, unidad de vivienda asistida o de atención por etapas), espacio público o área común.

**Piezas y acabados para llaves de agua recertificadas Delta® Recertified:** Delta Faucet Company ofrece a la venta en línea llaves de agua/grifos recertificados Delta®. Los grifos Recertificados de Delta® solo incluyen llaves de agua que han sido certificadas como tales por Delta Faucet Company. Todas las piezas (excepto las piezas electrónicas y las pilas) y los acabados de estas llaves Recertificadas de Delta® están garantizados al comprador consumidor original estar libres de defectos de materiales y de mano de obra durante diez (10) años a partir de la fecha en que el comprador original o su representante autorizado (contratista de instalación, etc.) recibió el producto. Para compradores comerciales, el período de garantía es de un (1) año a partir de la fecha en que el comprador original o su representante autorizado (contratista de instalación, etc.) recibió el producto.

**Partes electrónicas:** Se garantiza al comprador consumidor original que las piezas electrónicas (que no sean pilas), si las hubiera, de las llaves de agua Delta® compradas en [deltafaucet.com](http://deltafaucet.com) o a vendedores autorizados de Delta, estar libres de defectos de materiales y de mano de obra durante cinco (5) años a partir de la fecha en que el comprador original o su representante autorizado (contratista de instalación, etc.) recibió el producto o para compradores comerciales, durante un (1) año a partir de la fecha en que el comprador original o su representante autorizado (contratista de instalación, etc.) recibió el producto. No se proporciona garantía en las pilas.

**Lo que haremos:** Delta Faucet Company reparará o reemplazará, sin cargo, durante el período de garantía aplicable (como se describe anteriormente), cualquier pieza o acabado que resulte defectuoso en material y/o mano de obra en condiciones normales de instalación, uso y servicio. Delta Faucet Company puede, a su exclusivo criterio, usar piezas o productos nuevos, reacondicionados o recertificados para dicha reparación o reemplazo. Si la reparación o el reemplazo no son prácticos, Delta Faucet Company puede optar por reembolsar el precio de compra a cambio de la devolución del producto. Estos son sus remedios exclusivos.

**Lo que no está cubierto:** Debido a que Delta Faucet Company no puede controlar la calidad de los productos Delta vendidos por vendedores no autorizados, a menos que la ley lo prohíba, esta garantía no cubre los productos Delta comprados a vendedores no autorizados.

Esta garantía no cubre los cargos de mano de obra incurridos por el comprador para reparar, reemplazar, instalar o quitar este producto. Delta Faucet Company no será responsable de ningún daño a la llave de agua/grifo que resulte del desgaste razonable, uso en exteriores, mal uso (incluido el uso del producto para una aplicación no deseada), agua helada, abuso, negligencia o instalación o mantenimiento inadecuados o realizados incorrectamente o reparación, incluido el incumplimiento de las instrucciones de cuidado y limpieza correspondientes. Delta Faucet Company recomienda utilizar un plomero profesional para toda la instalación y reparación de las llaves de agua. También le recomendamos que utilice únicamente piezas de repuesto originales de Delta®.

**Lo que debe hacer para obtener el servicio de garantía o las piezas de repuesto:** Se puede realizar un reclamo de garantía y obtener piezas de repuesto llamando al 1 800 345 DELTA (3358) o comunicándose con nosotros por correo o en línea de la siguiente manera (incluya su número de modelo, fecha de compra original y documentación con la fecha cuando el comprador original o su representante autorizado (contratista de instalación, etc.) recibió el producto):

#### En los Estados Unidos y México:

Delta Faucet Company  
55 E. 111th Street  
Carmel, IN 46280  
Attention: Warranty Service  
[www.deltafaucet.com/service-parts/contact-us](http://www.deltafaucet.com/service-parts/contact-us)

#### En Canadá:

Masco Canada Limited, Plumbing Group  
Technical Service Centre  
350 South Edgeware Road  
St. Thomas, Ontario, Canada N5P 4L1  
Attention: Customer Service  
<http://www.deltafaucet.ca/customersupport/assistance.html>

El comprobante de compra (recibo de venta original que muestre la fecha de compra) y la documentación con la fecha cuando el comprador original o su representante autorizado (contratista de instalación, etc.) recibió el producto deben estar disponibles para Delta Faucet Company para todos reclamos de garantía a menos que el comprador haya registrado el producto con Delta Faucet Company o el producto sea un producto Delta® Recertified comprado en [deltafaucet.com](http://deltafaucet.com). Esta garantía se aplica solo a las llaves de agua Delta® fabricadas después del 1 de enero de 2019 e instaladas en los Estados Unidos de América, Canadá y México.

**Limitación de la duración de las garantías implícitas:** Tenga en cuenta que algunos estados/provincias (incluido Quebec) no permiten limitaciones sobre la duración de una garantía implícita, por lo que es posible que las siguientes limitaciones no se apliquen en su caso. EN LA MEDIDA MÁXIMA PERMITIDA POR LA LEY APLICABLE, CUALQUIER GARANTÍA IMPLÍCITA, INCLUIDAS LAS GARANTÍAS IMPLÍCITAS DE COMERCIABILIDAD E IDONEIDAD PARA UN FIN DETERMINADO, SE LIMITA AL PERÍODO LEGAL O A LA DURACIÓN DE ESTA GARANTÍA, EL QUE SEA MÁS BREVE.

**Limitación de Daños Especiales, Incidentales o Consecuentes:** Tenga en cuenta que algunos estados/provincias (incluido Quebec) no permiten la exclusión o limitación de daños especiales, incidentales o consecuentes, por lo que es posible que las siguientes limitaciones y exclusiones no se apliquen en su caso. EN LA MEDIDA MÁXIMA PERMITIDA POR LA LEY APLICABLE, ESTA GARANTÍA NO CUBRE, Y DELTA FAUCET COMPANY NO SERÁ RESPONSABLE DE NINGÚN DAÑO ESPECIAL, INCIDENTAL O CONSECUENTE (INCLUIDOS LOS CARGOS DE MANO DE OBRA PARA REPARAR, REEMPLAZAR, INSTALAR O QUITAR ESTE PRODUCTO), YA SEA QUE SURJA FUERA DEL INCUMPLIMIENTO DE CUALQUIER GARANTÍA EXPRESA O IMPLÍCITA, INCUMPLIMIENTO DE CONTRATO, AGRAVIO U OTRO. DELTA FAUCET COMPANY NO SERÁ RESPONSABLE DE CUALQUIER DAÑO A LA LLAVE DE AGUA O RESULTANTE DEL DESGASTE Y DESGASTE RAZONABLE, USO AL AIRE LIBRE, USO INCORRECTO (INCLUYENDO EL USO DEL PRODUCTO PARA UNA APLICACIÓN NO DESEADA), AGUA CONGELADA, ABUSO, DESCUIDO O INSTALACIÓN O MANTENIMIENTO IMPROPIOS O REALIZADOS INCORRECTAMENTE O REPARACIÓN, INCLUYENDO EL INCUMPLIMIENTO DE LAS INSTRUCCIONES DE INSTALACIÓN, CUIDADO Y LIMPIEZA CORRESPONDIENTES.

Aviso para los residentes del Estado de Nueva Jersey: Las disposiciones de esta garantía, incluidas sus limitaciones, se aplicarán en la medida máxima permitida por las leyes del Estado de Nueva Jersey.

**Derechos adicionales:** Esta garantía le otorga derechos legales específicos, y es posible que también tenga otros derechos que varían de un estado/provincia a otro estado/provincia. Esta es la garantía escrita exclusiva de Delta Faucet Company, y la garantía no es transferible.

Si tiene alguna pregunta o inquietud con respecto a nuestra garantía, comuníquese con nosotros como se indicó anteriormente o visite en nuestro sitio web Preguntas Frecuentes FAQ en [www.deltafaucet.com](http://www.deltafaucet.com)

© 2023 Masco Corporation de l'Indiana

## Garantie limitée des robinets Delta®

**Pièces et finis:** Tous les pièces (autres que les composants électroniques et les piles) et les finis de ce robinet Delta® achetés chez des vendeurs Delta autorisés sont protégés contre les défauts de matériau et les vices de fabrication par une garantie qui est consentie au premier acheteur au détail et qui demeure valide tant que celui-ci demeure propriétaire de la maison dans laquelle le robinet a été installé. En ce qui concerne les acheteurs commerciaux, la période de garantie est a) de dix (10) ans pour les applications résidentielles multifamiliales et b) de cinq (5) ans pour toutes les autres applications commerciales, à compter, dans chaque cas, de la date de réception du produit par le premier acheteur ou son représentant autorisé (installateur, etc.). Dans le libellé de la présente garantie, on entend par « application résidentielle multifamiliale », un robinet acheté chez un vendeur Delta autorisé par un acheteur qui est propriétaire d'un logement résidentiel sans l'habiter et installé pour la première fois dans cet immeuble. Il peut s'agir d'un immeuble individuel comportant un ou plus d'un logement loué à court terme ou à long terme (duplex ou groupe de maisons en rangée), d'un condominium, d'un immeuble d'habitation ou d'un centre d'intégration communautaire. Les applications décrites ci-après ne sont pas considérées comme des applications multifamiliales et elles sont couvertes par la garantie de 5 ans plutôt que par la garantie de 10 ans. Ce sont les suivantes : robinets installés dans un bâtiment industriel, un bâtiment institutionnel et un autre immeuble commercial, notamment une résidence d'étudiants, un lieu d'hébergement (hôtel, motel ou lieu de séjour prolongé), un aéroport, un établissement d'enseignement, un établissement de soins de santé de courte ou de longue durée (hôpital, centre de réadaptation, maison de soins infirmiers), un endroit public ou un lieu commun.

**Pièces et finis des robinets recertifiés Delta®:** Delta Faucet Company offre en vente en ligne des robinets recertifiés Delta®. Les robinets recertifiés Delta® comprennent uniquement les robinets qui ont été certifiés à ce titre par Delta Faucet Company. Tous les pièces (autres que les pièces électroniques et les piles) et les finis de ces robinets Delta® recertifiés sont protégés contre les défauts de matériau et les vices de fabrication par une garantie qui est consentie au premier acheteur au détail et qui est d'une durée de dix (10) ans à compter de la date de réception du produit par le premier acheteur ou son représentant autorisé (installateur, etc.). En ce qui concerne les acheteurs commerciaux, la période de garantie est d'un (1) an à compter de la date de réception du produit par le premier acheteur ou son représentant autorisé (installateur, etc.).

**Composants électroniques:** Les composants électroniques (autres que les piles), le cas échéant, de ce robinet Delta® qui ont été achetés auprès de [deltafaucet.com](http://deltafaucet.com) ou de vendeurs Delta autorisés sont protégés contre les défauts de matériau et les vices de fabrication par une garantie consentie au premier acheteur au détail qui est de cinq (5) ans à compter de la date de réception du produit par le premier acheteur ou son représentant autorisé (installateur, etc.). En ce qui concerne les acheteurs commerciaux, la période de garantie est d'un (1) an à compter de la date de réception du produit par le premier acheteur ou son représentant autorisé (installateur, etc.). Les piles ne sont pas couvertes par la garantie.

**Ce que nous ferons:** Delta Faucet Company réparera ou remplacera gratuitement, pendant la période de garantie applicable (décrite ci-dessus), toute pièce ou tout fini qui présentera une défectuosité de matériau et/ou un vice de fabrication pour autant que le produit ait été installé, utilisé et entretenu normalement. Delta Faucet Company peut, à sa seule discrétion, utiliser des produits neufs, remis à neuf ou recertifiés ou des pièces neuves, remises à neuf ou recertifiées pour effectuer la réparation ou le remplacement. S'il n'est pas utile de réparer ou de remplacer le produit, Delta Faucet Company pourra rembourser le prix d'achat en échange du produit retourné. Il s'agit de vos seuls recours.

**Ce qui n'est pas couvert:** Étant donné que Delta Faucet Company n'est pas en mesure de contrôler la qualité des produits vendus par des vendeurs non autorisés, la présente garantie ne s'applique pas aux produits Delta vendus par des vendeurs non autorisés, à moins que cette restriction ne soit interdite par la loi.

La présente garantie ne couvre pas les frais de main-d'œuvre encourus par l'acheteur pour la réparation, le remplacement, l'installation ou la dépose du robinet. Delta Faucet Company se dégage de toute responsabilité à l'égard de toute détérioration du robinet résultant d'une usure raisonnable et des dommages causés par une utilisation à l'extérieur, un mauvais usage (y compris l'utilisation du produit à des fins autres que celles auxquelles il est destiné), le gel de l'eau, un usage abusif, la négligence ou l'utilisation d'une méthode d'installation, de maintenance ou de réparation incorrecte ou inadéquate, y compris les dommages résultant du non-respect des instructions de nettoyage et d'entretien applicables. Delta Faucet Company vous recommande de confier tous les travaux d'installation et de réparation à un plombier professionnel. Nous vous recommandons également d'utiliser uniquement des pièces de rechange Delta® authentiques.

**Ce que vous devez faire pour vous prévaloir de la garantie ou obtenir des pièces de rechange:** Vous pouvez présenter une réclamation en vertu de la garantie et obtenir des pièces de rechange en appelant au 1-800-345-DELTA (3358) ou en communiquant avec nous à l'une des adresses postales ou des adresses de courriel indiquées ci-dessous (veuillez fournir le numéro de modèle, la date de l'achat initial et la documentation attestant la date de réception du produit par le premier acheteur ou son représentant autorisé (installateur, etc.)).

**Aux États-Unis et au Mexique**  
Delta Faucet Company  
55 E. 111th Street  
Carmel, IN 46280  
Attention: Warranty Service  
[www.deltafaucet.com/service-parts/contact-us](http://www.deltafaucet.com/service-parts/contact-us)

**Au Canada:**  
Masco Canada Limited, Groupe plomberie  
Centre de services techniques  
350, chemin South Edgeware  
St. Thomas (Ontario) Canada N5P 4L1  
À l'attention du Service à la clientèle  
<http://www.deltafaucet.ca/customersupport/assistance.html>

La preuve d'achat (original du reçu du premier acheteur montrant la date d'achat) et la documentation attestant la date de réception du produit par le premier acheteur ou son représentant autorisé (installateur, etc.) doivent être présentées à Delta Faucet Company pour toutes les demandes en vertu de la garantie, sauf si le produit a été enregistré auprès de Delta Faucet Company ou si le produit est un produit recertifié Delta® acheté auprès de [deltafaucet.com](http://deltafaucet.com). La présente garantie s'applique uniquement aux robinets Delta® fabriqués après le 1er janvier 2019 et installés aux États-Unis d'Amérique, au Canada et au Mexique.

**Limitation de la durée des garanties implicites:** Veuillez noter qu'il est interdit, dans certains États ou certaines provinces (y compris le Québec), de limiter la durée d'une garantie implicite. Par conséquent, les limitations mentionnées ci-dessous peuvent ne pas s'appliquer à vous. DANS LA MESURE DE CE QUI EST PERMIS PAR LA LOI APPLICABLE, TOUTES LES GARANTIES IMPLICITES, Y COMPRIS LES GARANTIES IMPLICITES DE QUALITÉ MARCHANDE ET D'ADÉQUATION À UN USAGE PARTICULIER, SE LIMITENT À LA PÉRIODE FIXÉE PAR LA LOI OU À LA DURÉE DE LA PRÉSENTE GARANTIE, LA PLUS COURTE DES DEUX PÉRIODES S'APPLIQUANT.

**Limitation des dommages particuliers, consécutifs ou indirects:** Veuillez noter qu'il est interdit, dans certains États ou certaines provinces (y compris le Québec), d'exclure ou de limiter les dommages particuliers, consécutifs ou indirects. Par conséquent, les limitations et les exclusions mentionnées ci-dessous peuvent ne pas s'appliquer à vous. DANS LA MESURE DE CE QUI EST PERMIS PAR LA LOI APPLICABLE, DELTA FAUCET COMPANY SE DÉGAGE DE TOUTE RESPONSABILITÉ À L'ÉGARD DES DOMMAGES PARTICULIERS, CONSÉCUTIFS ET INDIRECTS (Y COMPRIS LES FRAIS DE MAIN-D'ŒUVRE POUR LA RÉPARATION, LE REMPLACEMENT, L'INSTALLATION OU LA DÉPOSE DU PRODUIT), PEU IMPORTE QU'ILS DÉCOULENT D'UNE RUPTURE D'UNE GARANTIE IMPLICITE OU EXPLICITE, D'UNE RUPTURE DE CONTRAT, D'UN DÉLIT CIVIL OU D'UNE AUTRE CAUSE. DELTA FAUCET COMPANY SE DÉGAGE DE TOUTE RESPONSABILITÉ À L'ÉGARD DE TOUTE DÉTÉRIORATION DU ROBINET RÉSULTANT D'UNE USURE RAISONNABLE ET DES DOMMAGES CAUSÉS PAR UNE UTILISATION À L'EXTÉRIEUR, UN MAUVAIS USAGE (Y COMPRIS L'UTILISATION DU PRODUIT À DES FINS AUTRES QUE CELLES AUXQUELLES IL EST DESTINÉ), LE GEL DE L'EAU, UN USAGE ABUSIF, LA NÉGLIGENCE OU L'UTILISATION D'UNE MÉTHODE D'INSTALLATION, DE MAINTENANCE OU DE RÉPARATION INCORRECTE OU INADÉQUATE, Y COMPRIS LES DOMMAGES RÉSULTANT DU NON-RESPECT DES INSTRUCTIONS D'INSTALLATION, D'ENTRETIEN ET DE NETTOYAGE APPLICABLES, ET CES DOMMAGES NE SONT PAS COUVERTS PAR LA GARANTIE. Avis à l'intention des résidents de l'État du New Jersey : Les dispositions de la présente garantie, y compris ses limitations, s'appliquent dans toute la mesure permise par les lois de l'État du New Jersey.

**Droits supplémentaires:** La présente garantie vous procure des droits particuliers reconnus par la loi. Vous pouvez avoir d'autres droits qui varient selon l'État ou la province. La présente garantie écrite est la seule garantie offerte par Delta Faucet Company et elle n'est pas transférable.

Si vous avez des questions ou des préoccupations concernant notre garantie, veuillez communiquer avec nous de la manière indiquée ci-dessus ou consulter notre FAQ sur la garantie à [www.deltafaucet.com](http://www.deltafaucet.com).

© 2023 Masco Société de l'Indiana