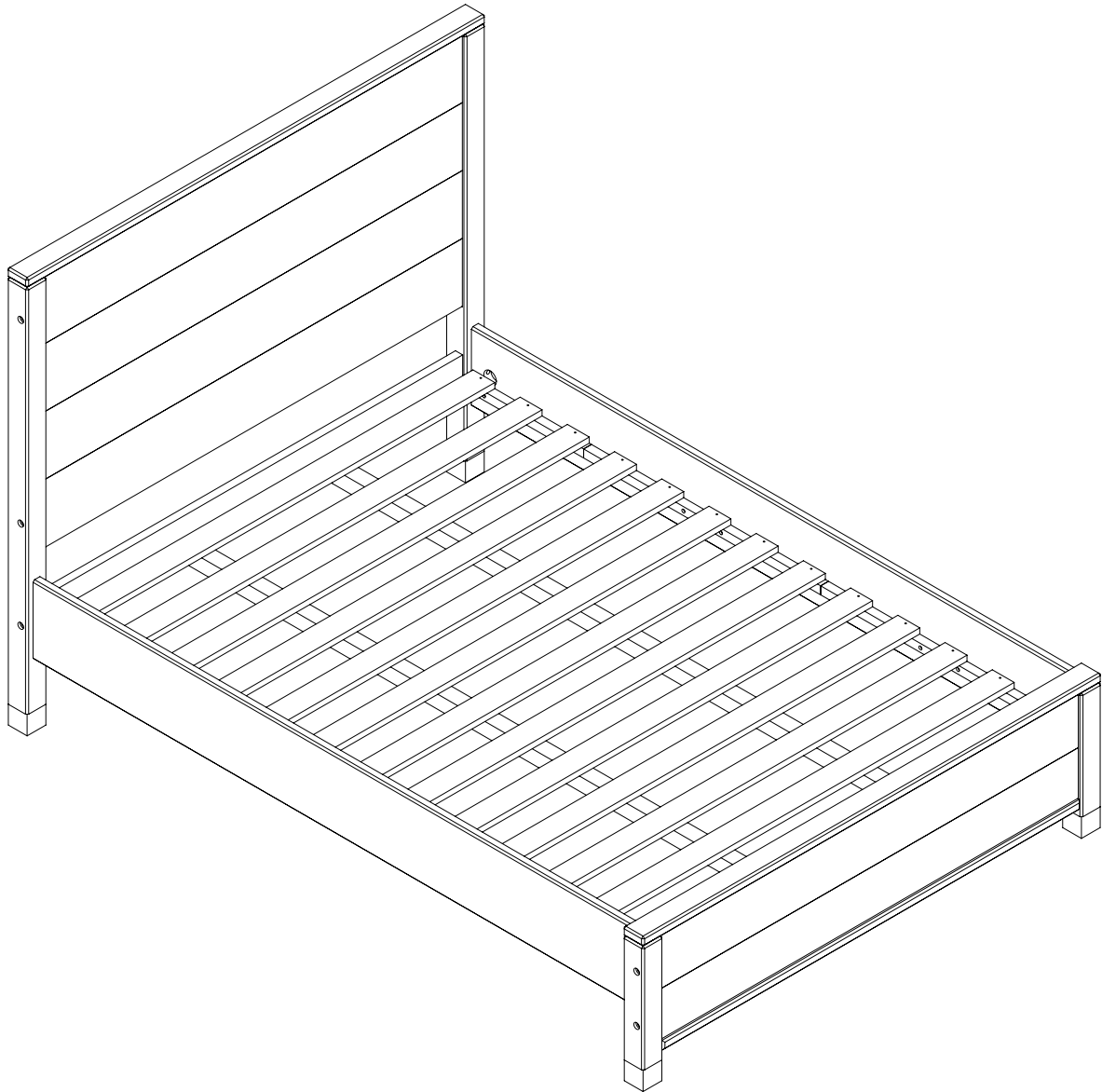


Platform Bed - Full Size

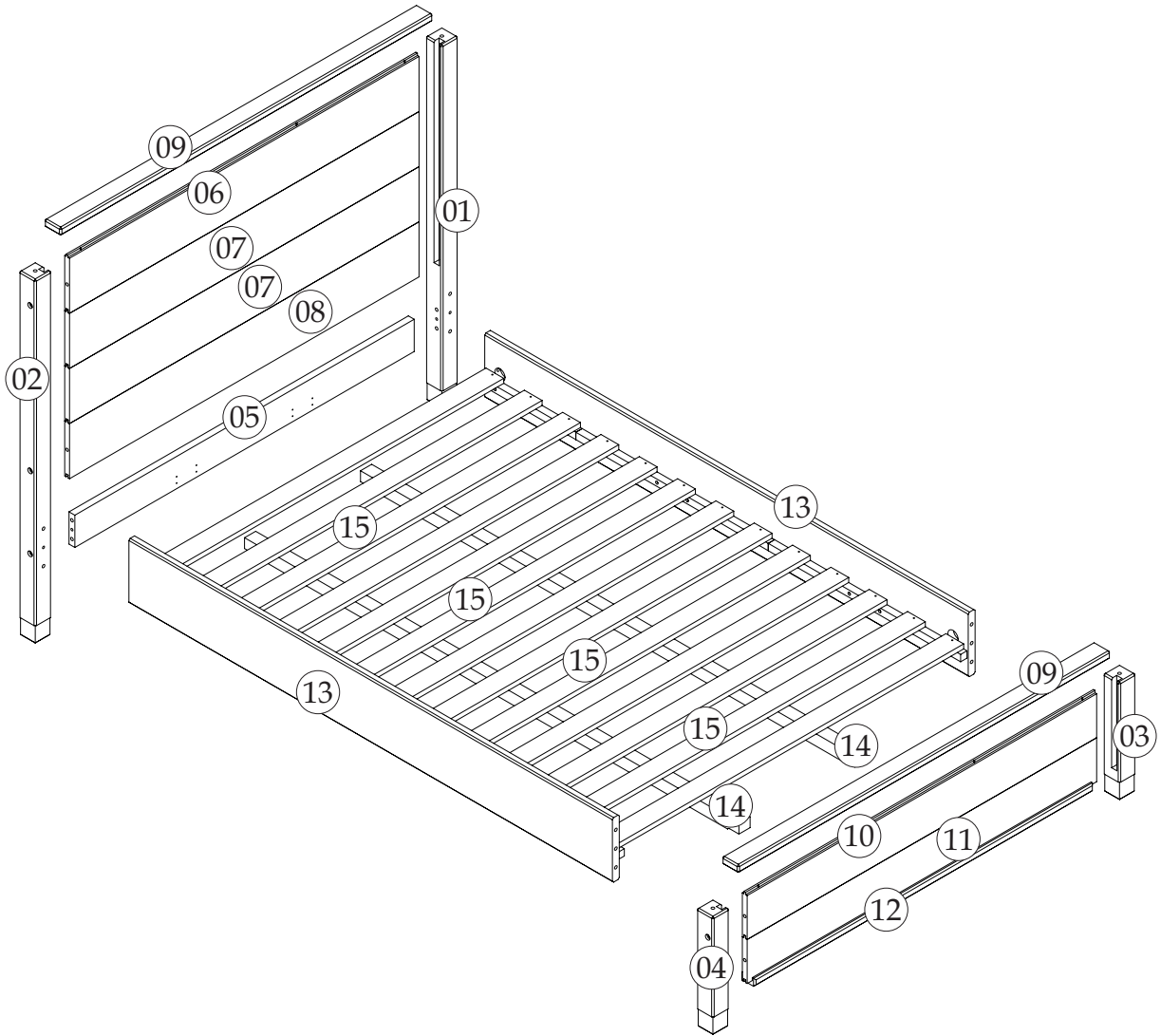





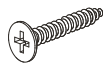
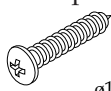
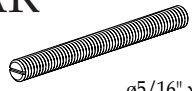
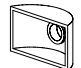
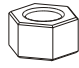


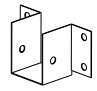
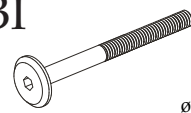
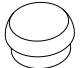
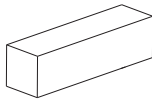
ATTENTION

- 1 - Read and observe carefully all the assembly instructions before beginning assembly.
- 2 - The assembly of the product must be done on a clean and flat surface. We suggest to use the packaging to cover the floor to avoid damages.
- 3 - The screws must be tightened periodically.
- 4 - Avoid contact with sharp objects.
- 5 - Avoid banging pieces together.

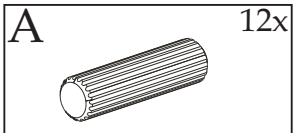
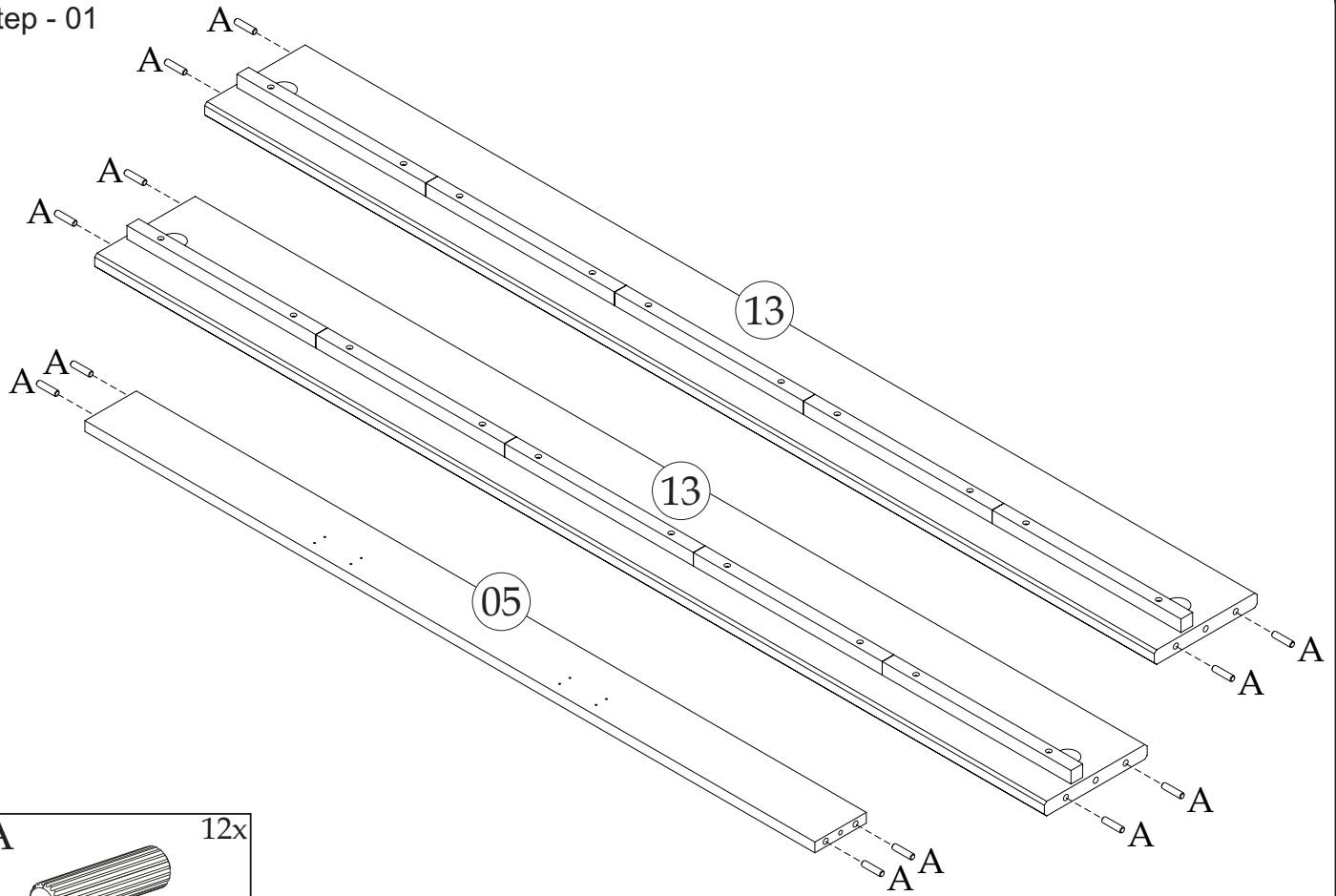


Parts and hardware list for assembly.
Please confirm all parts available before assembly.

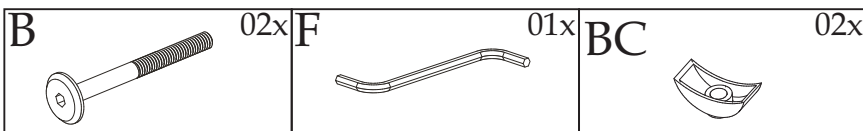
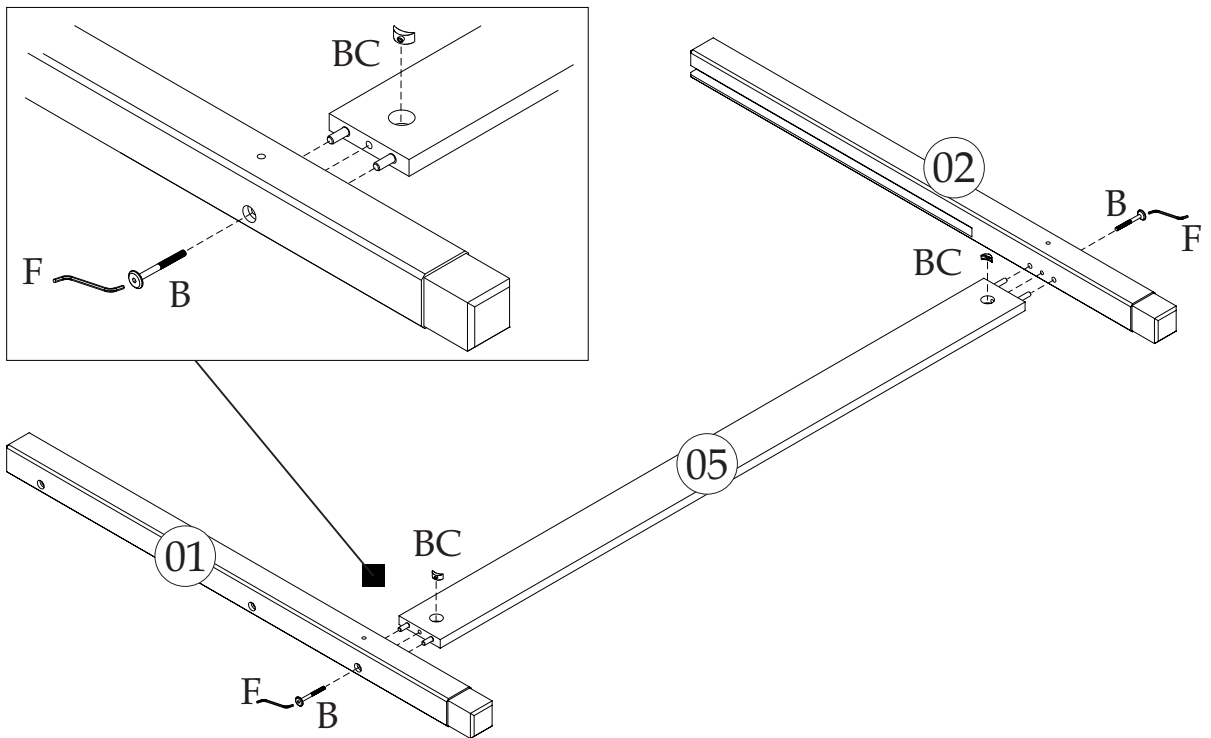


A +2x spare 16x  $\varnothing 3/8" \times 1 9/16"$	B +1x spare 10x  $\varnothing 1/4" \times 4 1/4"$	F +1x spare 01x  $1/4" \times 4 1/4"$	Z +2x spare 24x  $\varnothing 1/8" \times 5/8"$
AP +2x spare 38x  $\varnothing 1/8" \times 1 3/8"$	AR 02x  $\varnothing 5/16" \times 3 1/2"$	AS 02x  $1/2" \times 1 1/4"$	AT +1x spare 02x  $\varnothing 5/16"$
AU 01x  $1/2"$	BC +1x spare 12x  $1/4"$	BF 04x 	BI 02x  $\varnothing 1/4" \times 5"$
BJ +2x spare 10x  $\varnothing 3/4"$	BV 02x  $3 1/8"$		

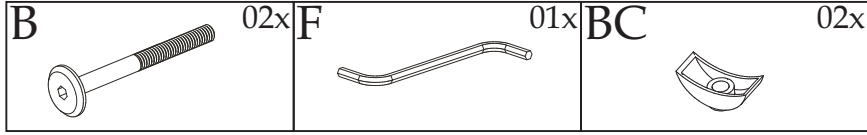
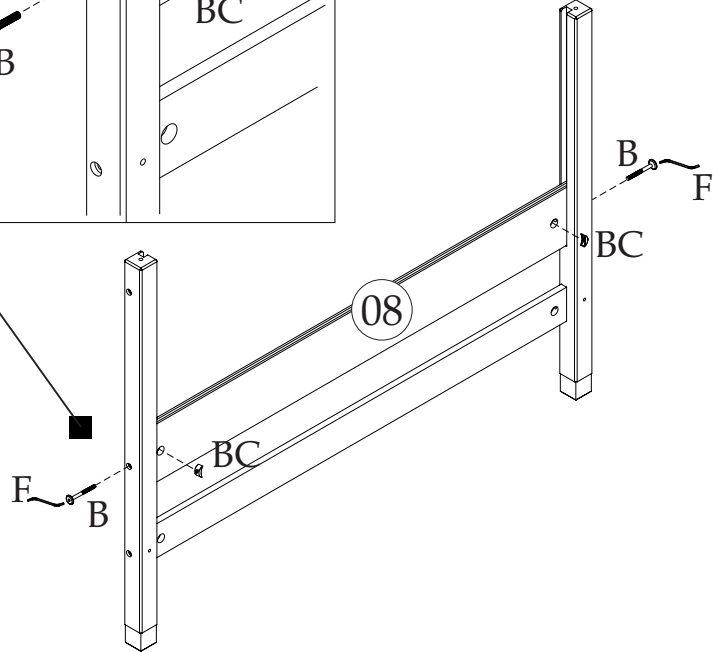
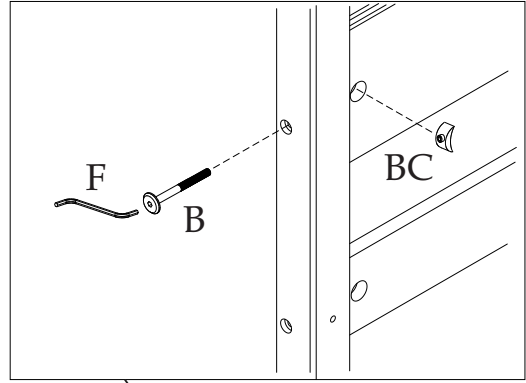
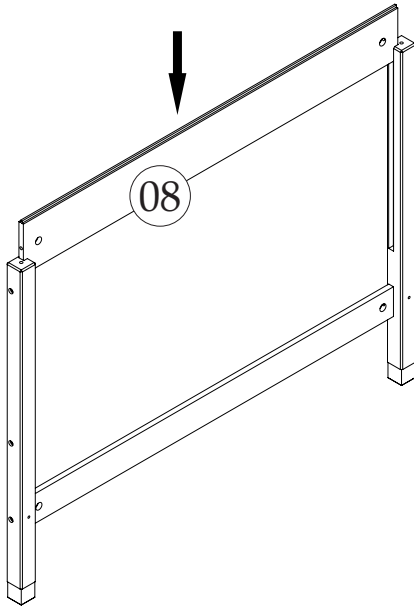
Step - 01



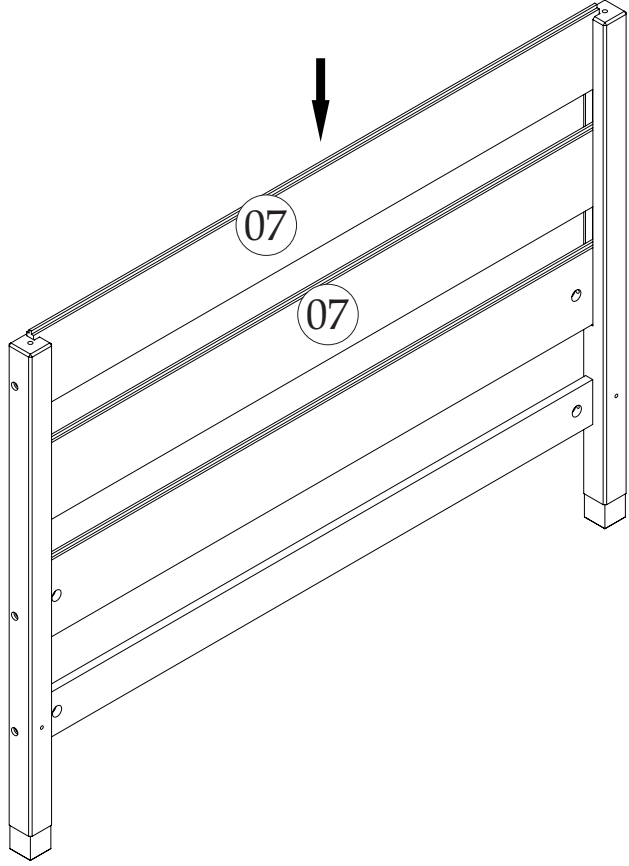
Step - 02



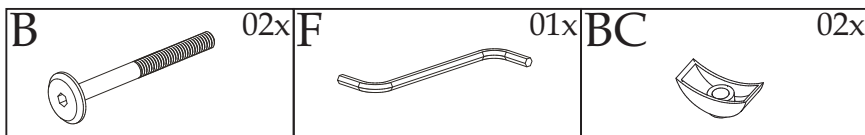
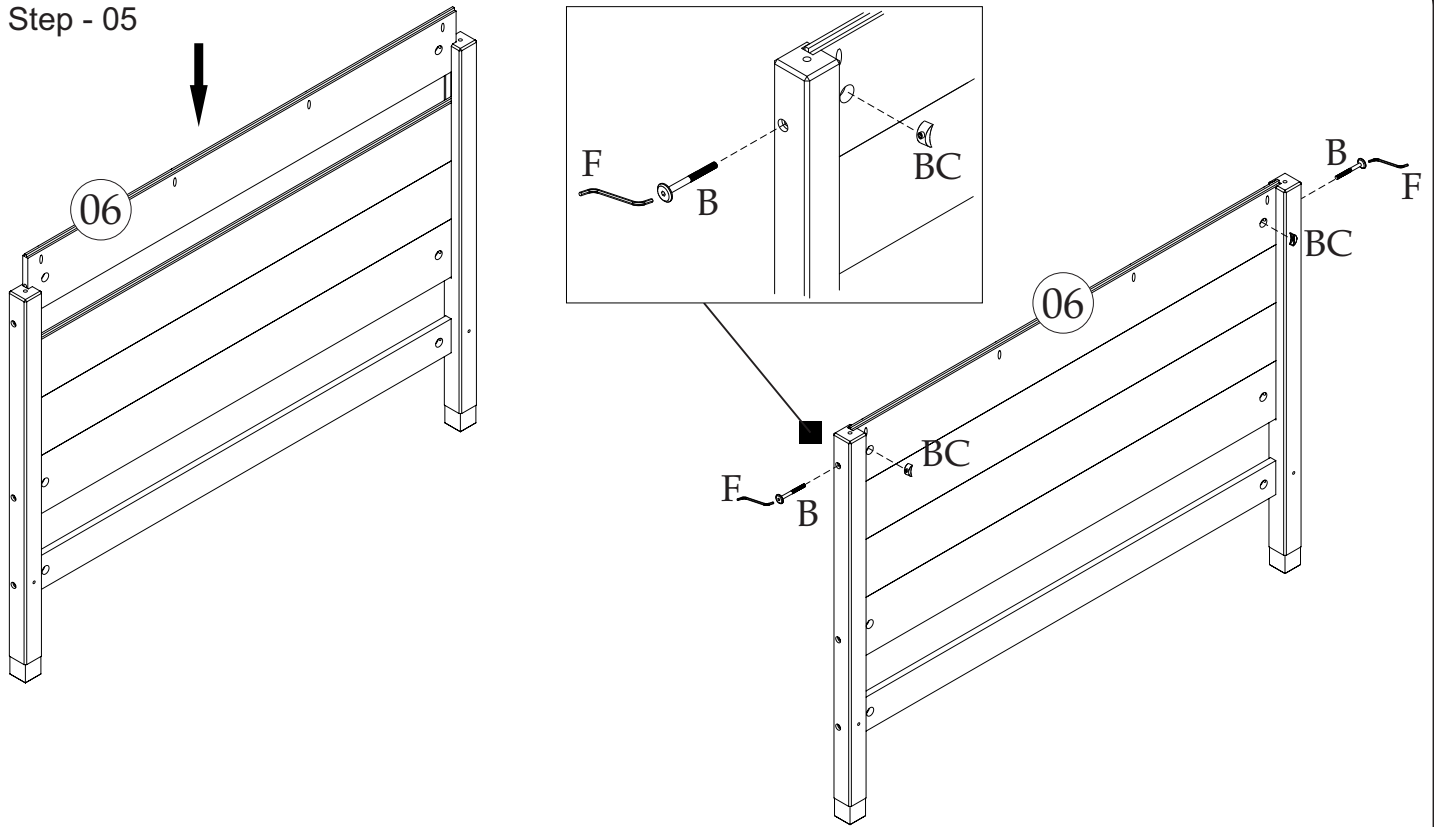
Step - 03



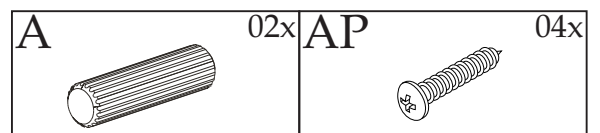
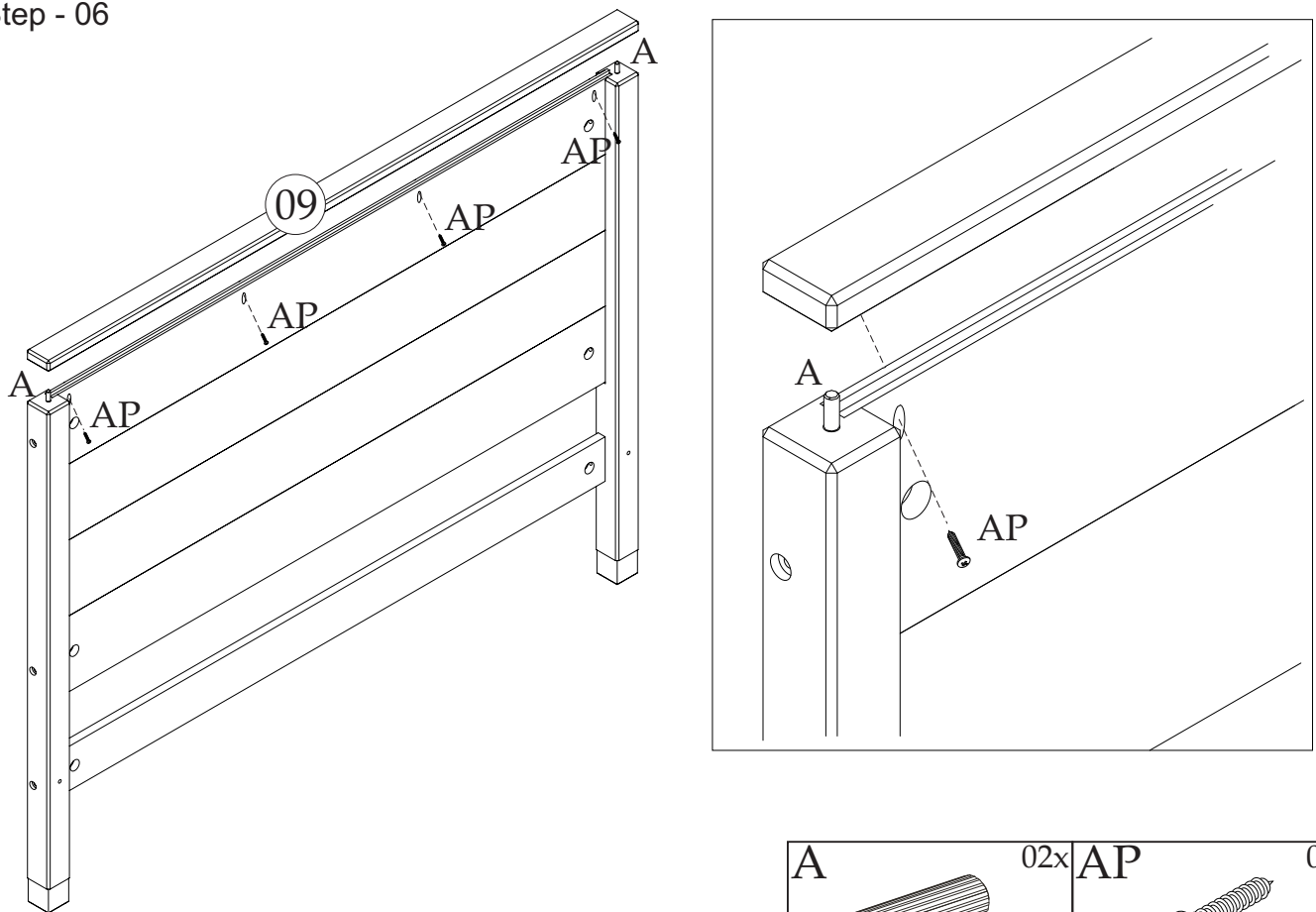
Step - 04



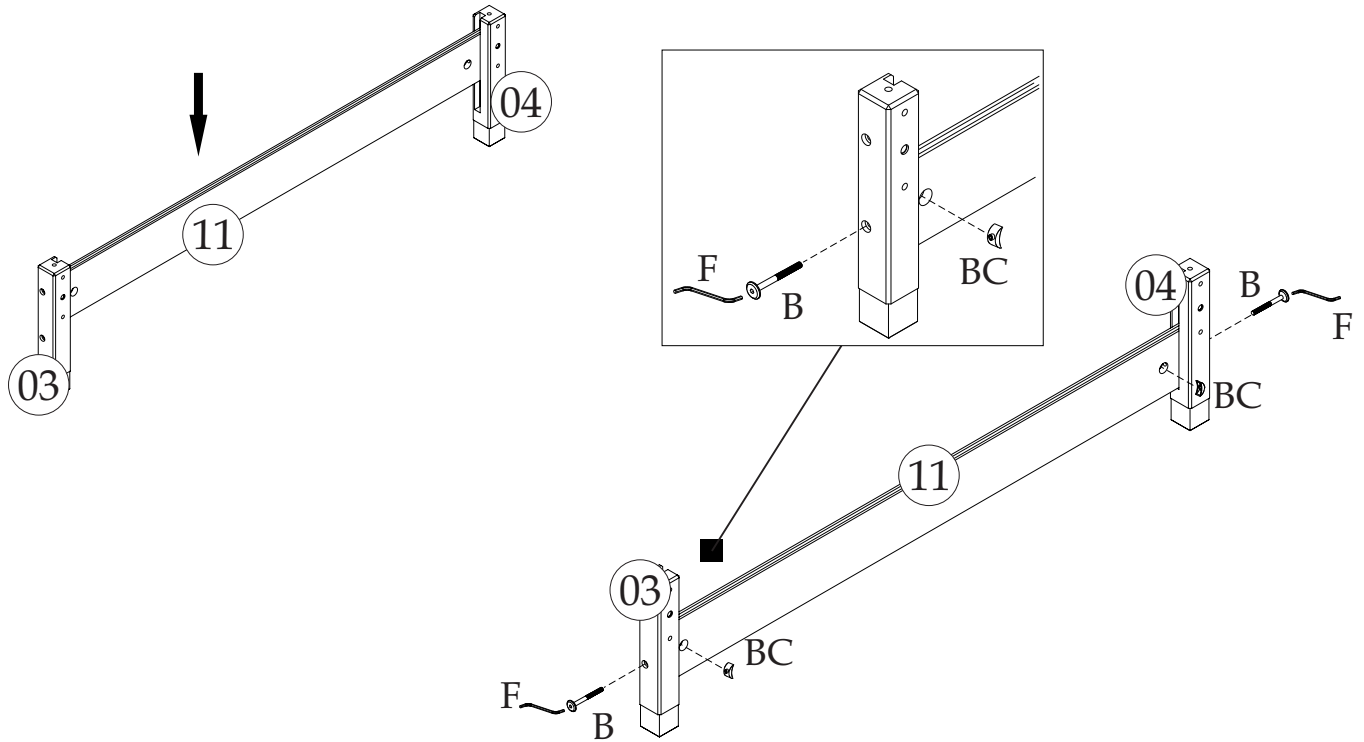
Step - 05

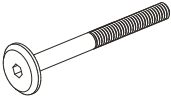




Step - 06

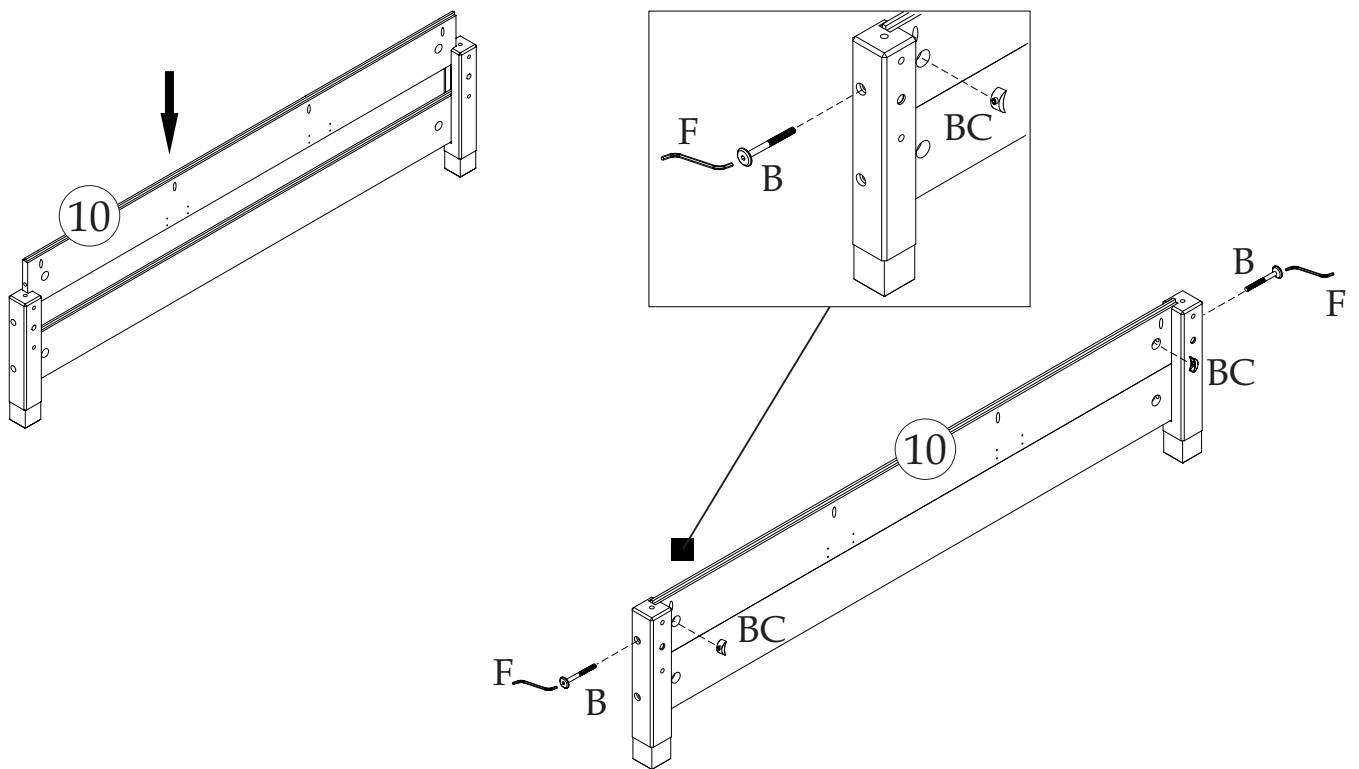


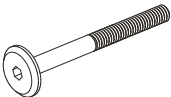


Step - 07



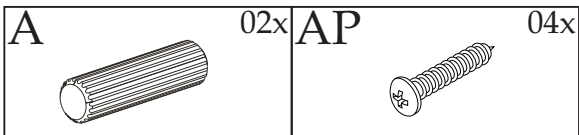
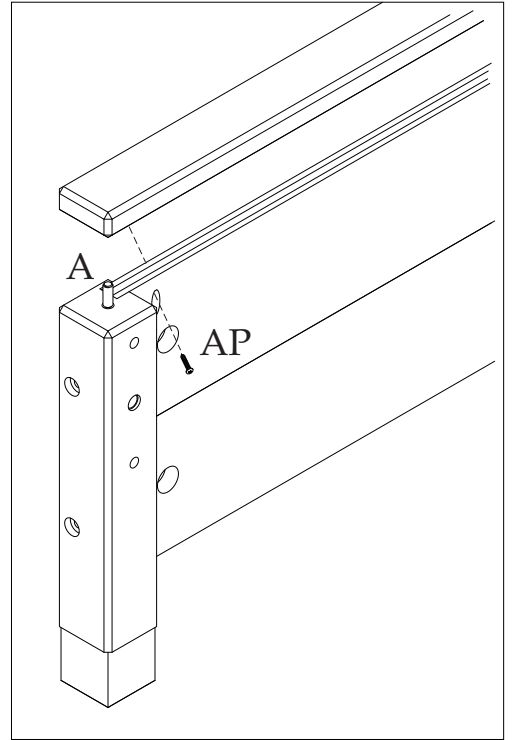
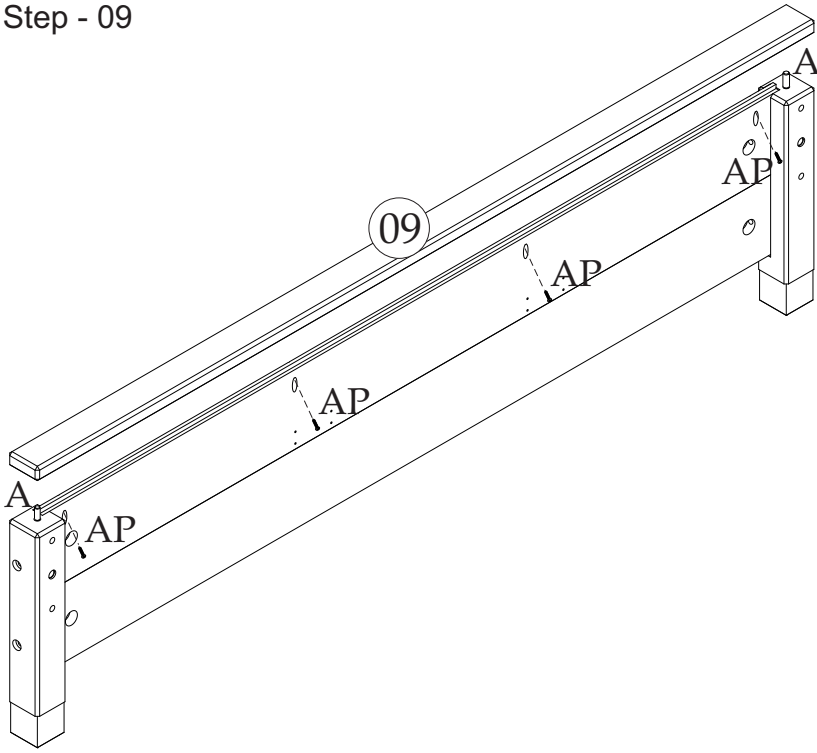
B	02x	F	01x	BC	02x
					

Step - 08

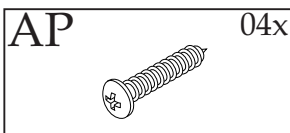
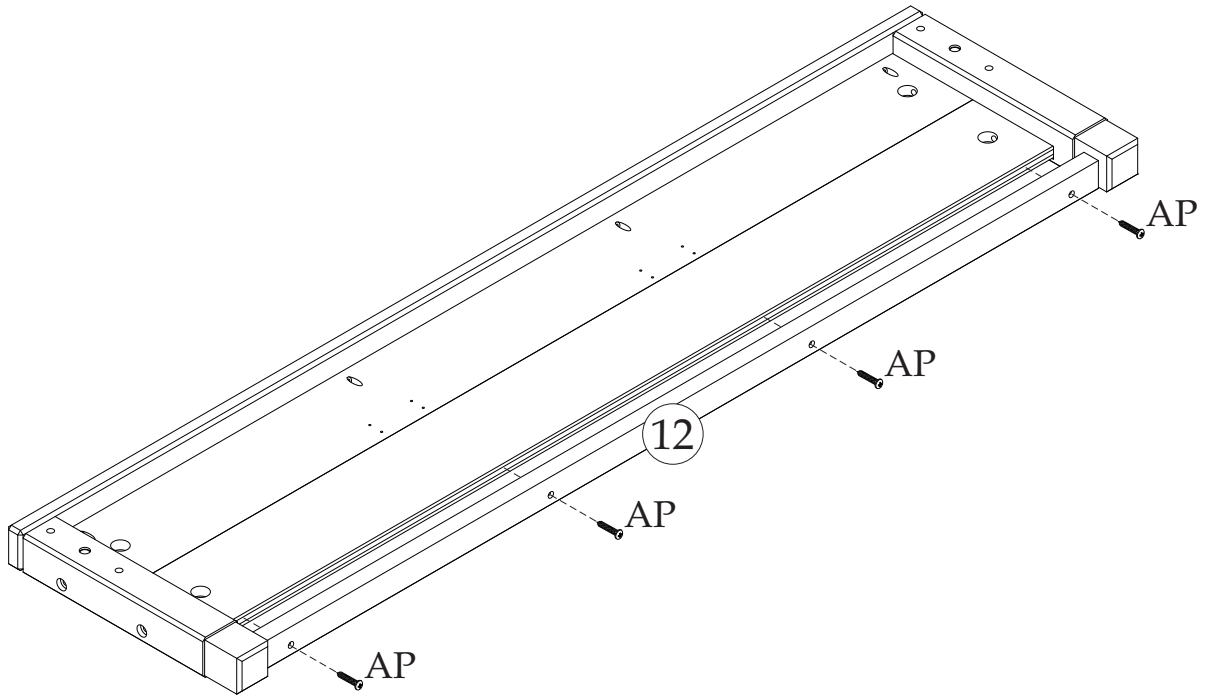


B	02x	F	01x	BC	02x
					

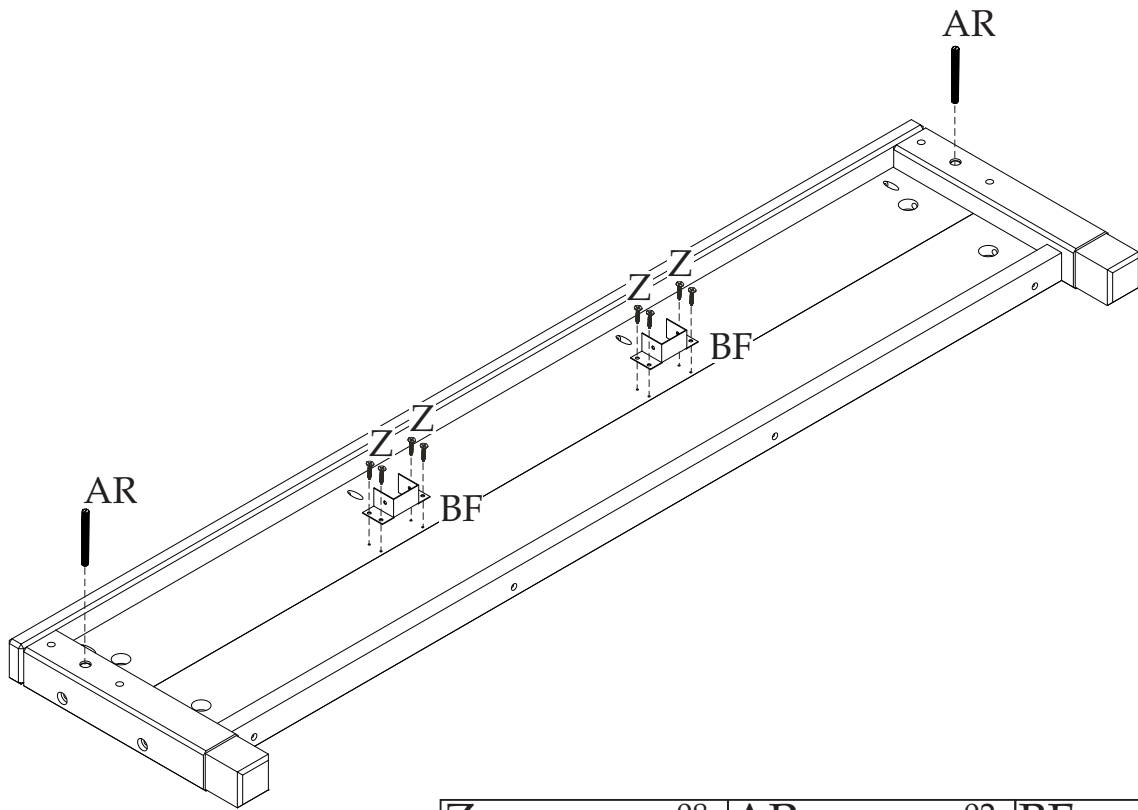
Step - 09

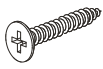
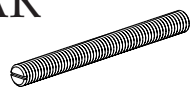
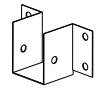


Step - 10

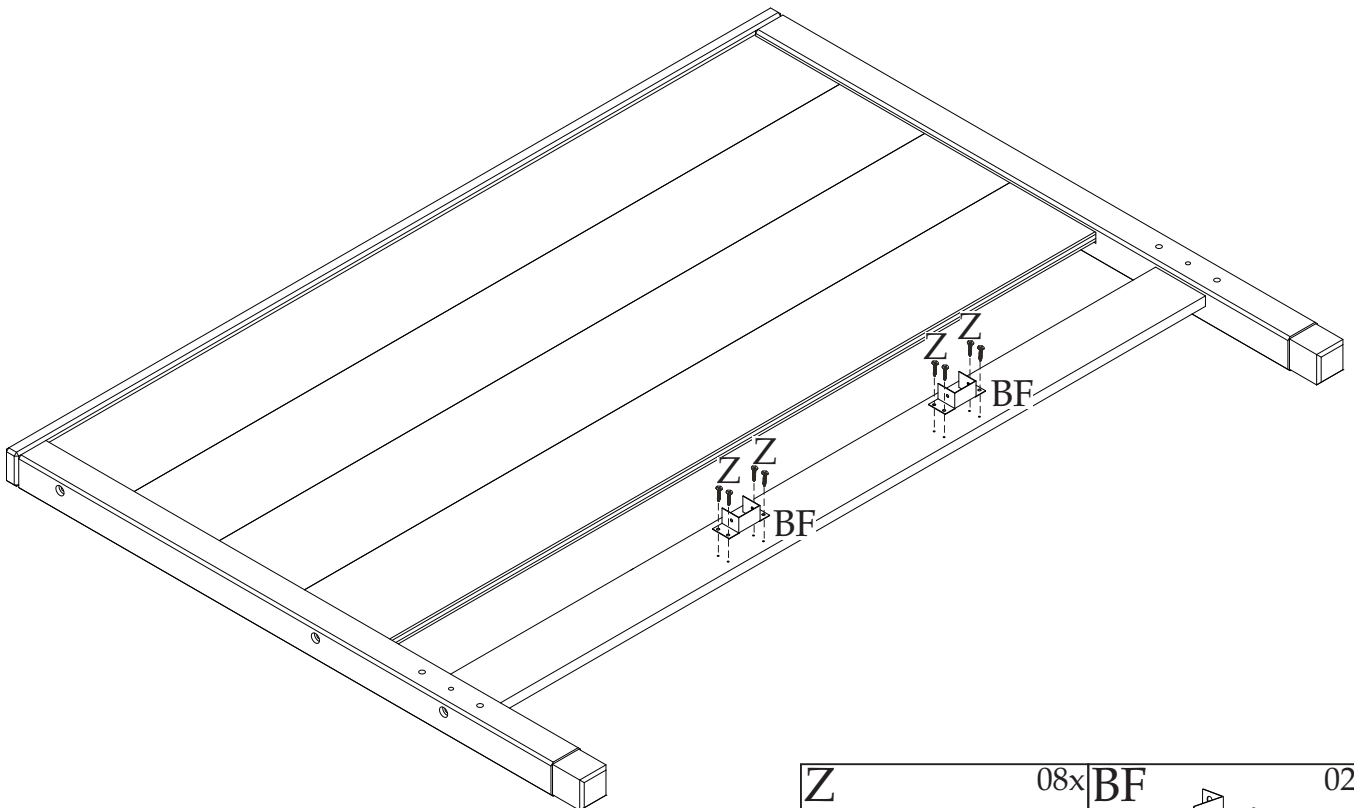


Step - 11



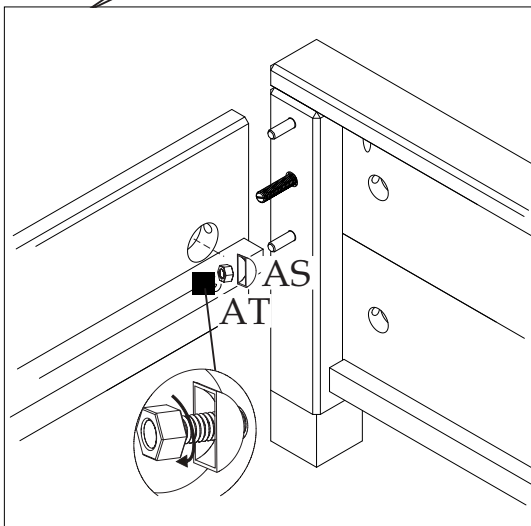
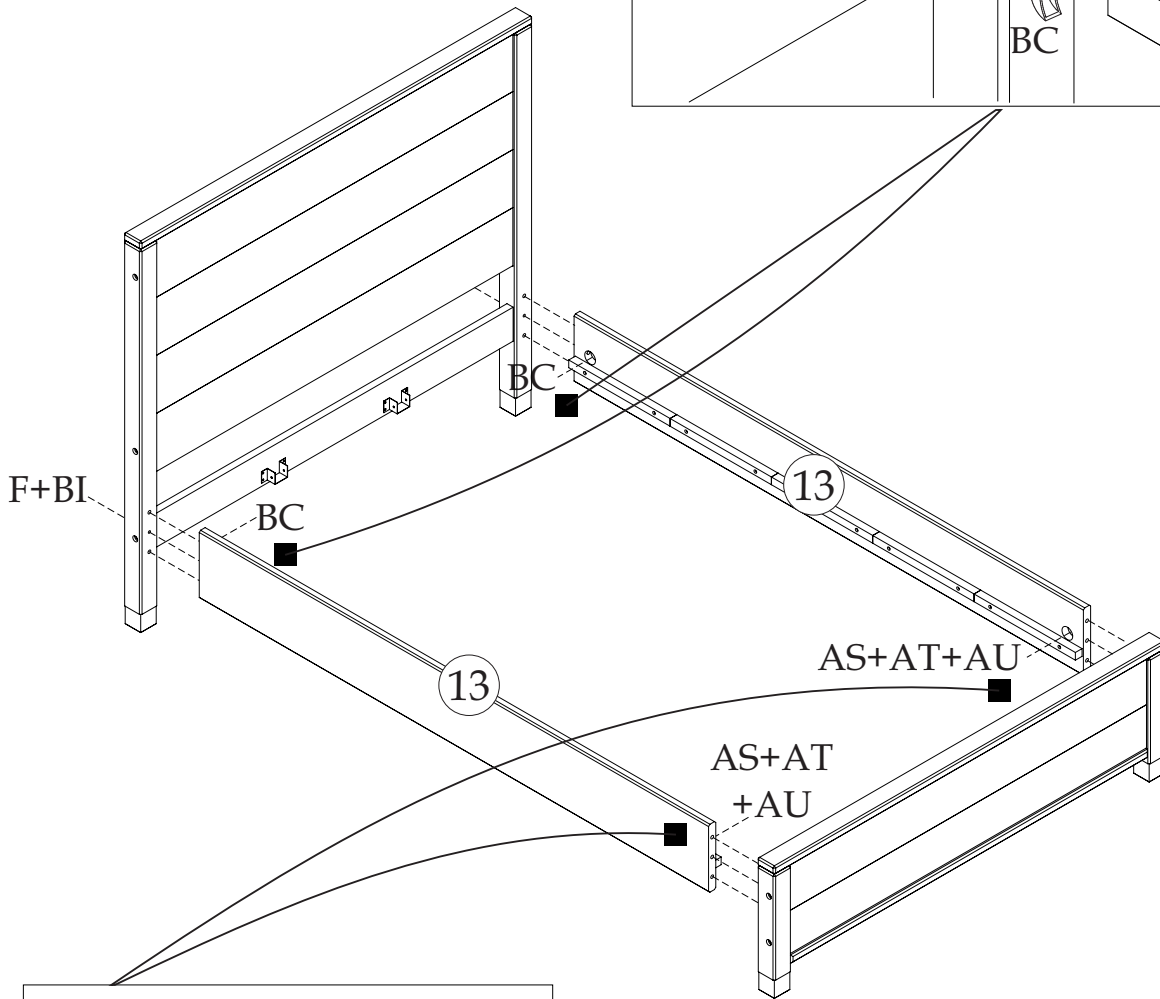
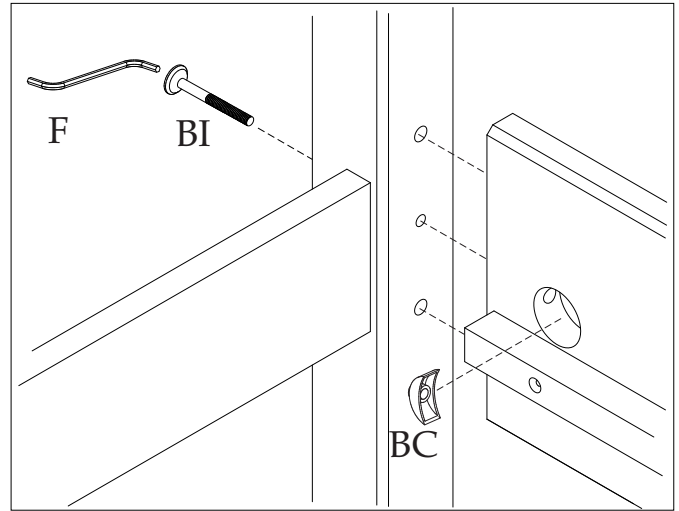
Z	08x	AR	02x	BF	02x
					

Step - 12



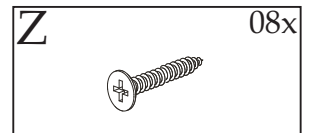
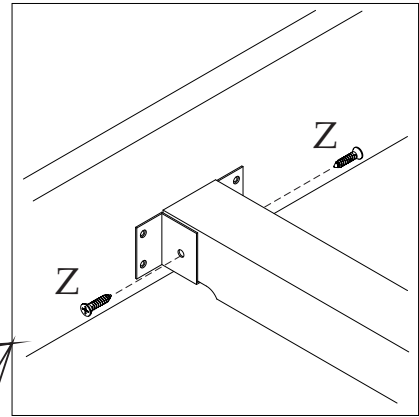
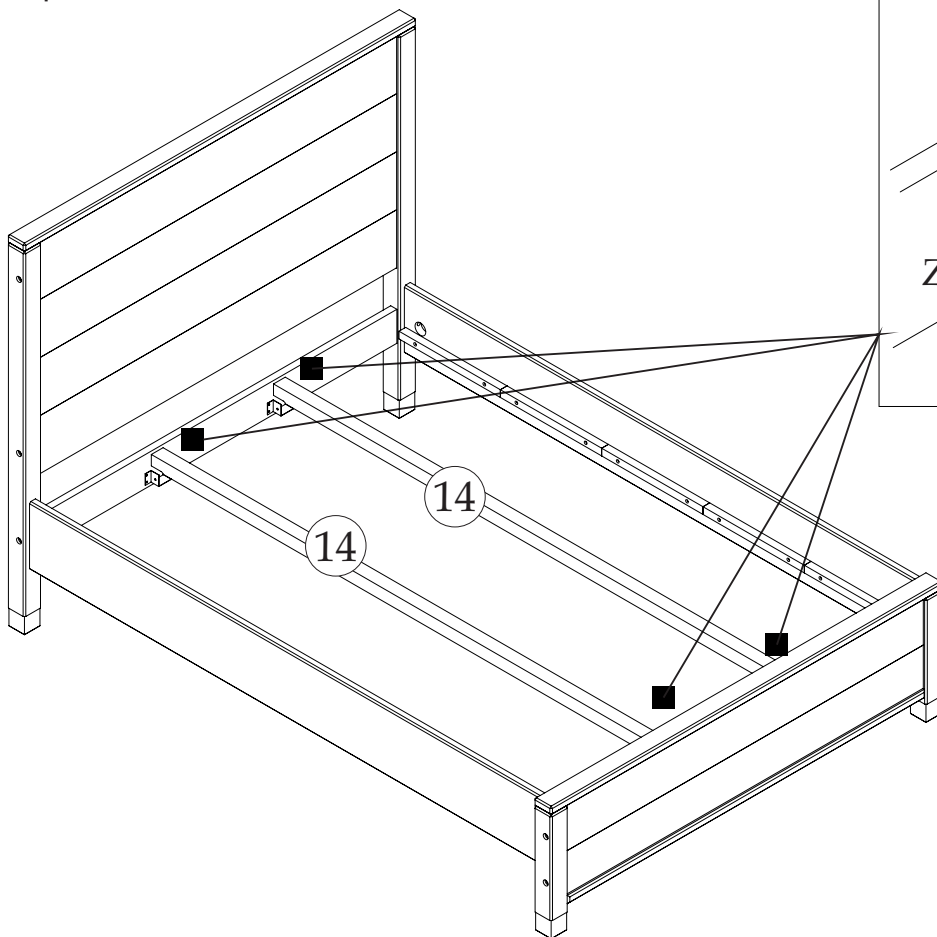
Z	08x	BF	02x
			

Step - 13

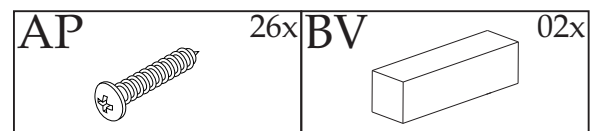
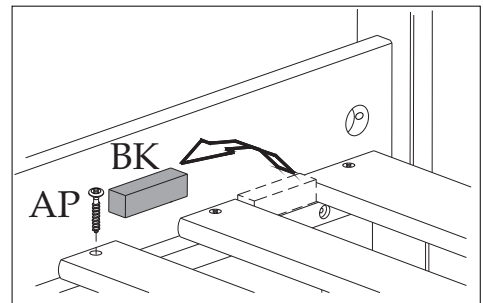
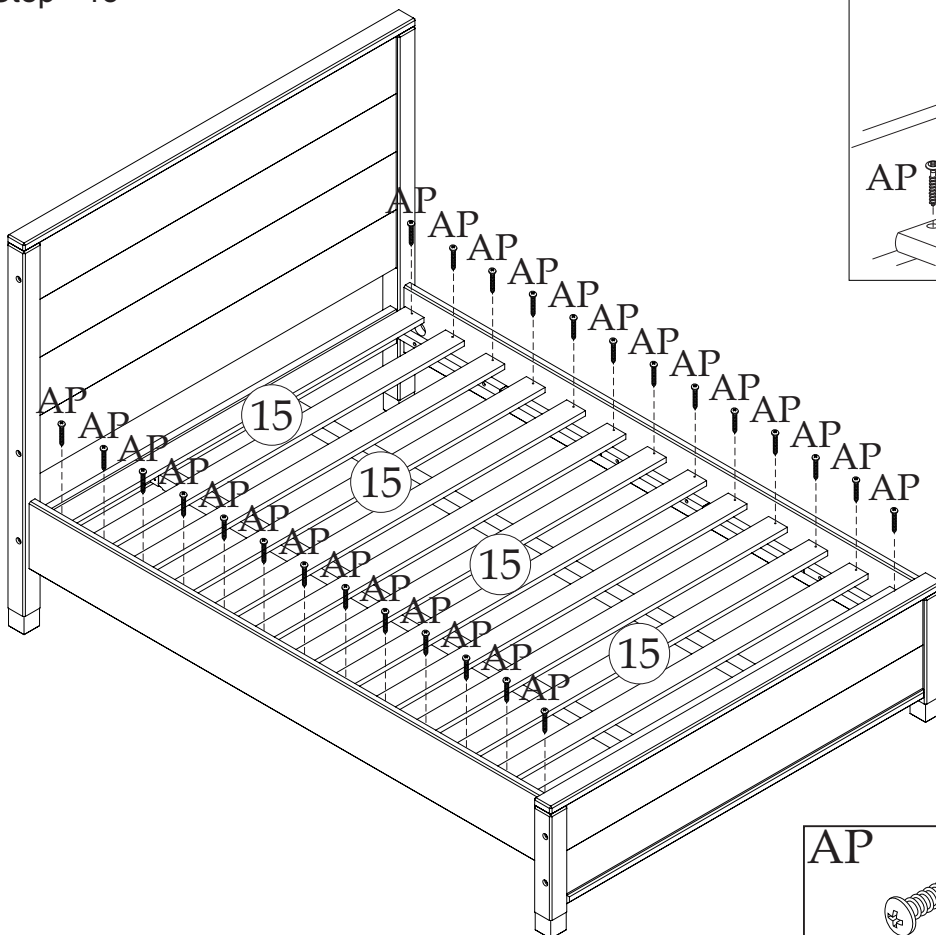


F	01x	AS	02x
AT	02x	AU	01x
BC	02x	BI	02x

Step - 14



Step - 15



Step - 16

