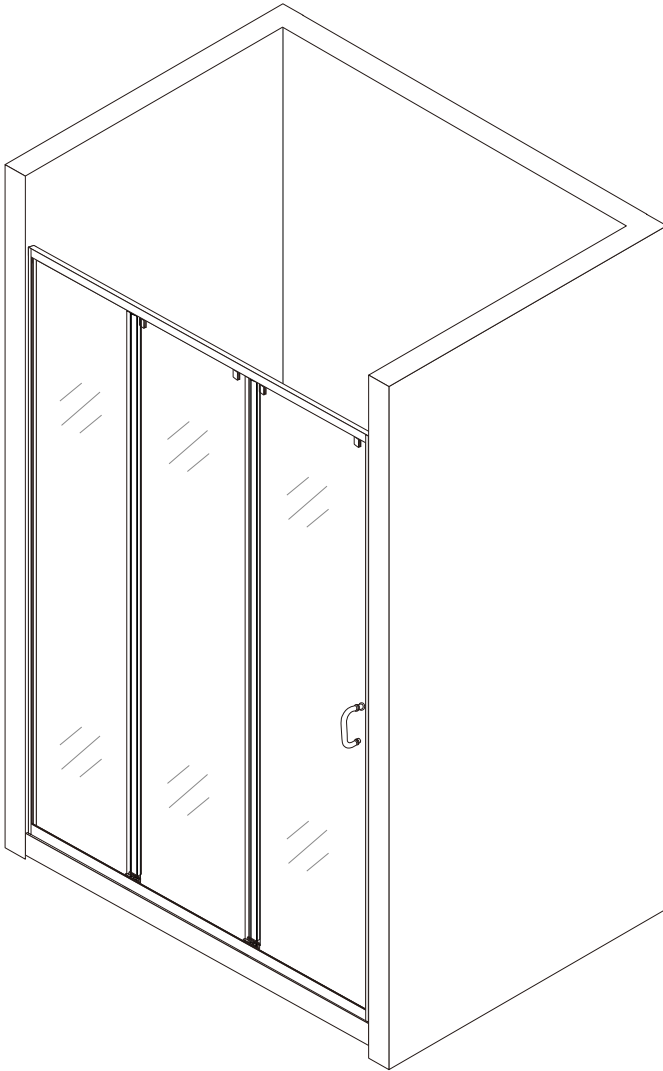


INSTALLATION MANUAL

FOR SHOWER DOOR

INSTALLATION INSTRUCTIONS

Shower Door



SAFETY INFORMATION

CAUTION

Please carefully read the following important safety information before handling or installing this shower door. There is a risk of serious injury while handling this product.

To minimize these risks, please note:

Always wear safety glasses and gloves while handling.

Always follow the installation instructions. Inspect glass for damage before installation.

Extreme caution should be taken while handling the glass during installation as the tempered glass may shatter if in contact with a hard surface.

Do not cut or modify the tempered glass as it will shatter if cut.

Carefully remove product from packaging and keep packaging until installation is complete.

Inspect all parts for damage or missing; If there is damage or part missing to the unit prior to installation, please contact customer service at the number provided in this guide.

Cover the drain with tape to prevent the loss of small parts.

The shower base and finished walls should be installed before beginning the shower door installation.

During the installation, protect the shower floor with a drop cloth to avoid damage. This product should be installed by two people who are familiar with construction requirements. Professional installation is recommended!

Keep this installation manual for future reference.

NOTE: Two people should perform this installation.

NEED TOOLS



Safety Glasses



Silicone Adhesive Sealant



Tape Measure



Rags



Drill Bits



Drill



Screwdriver



Pencil



Hammer



Knife

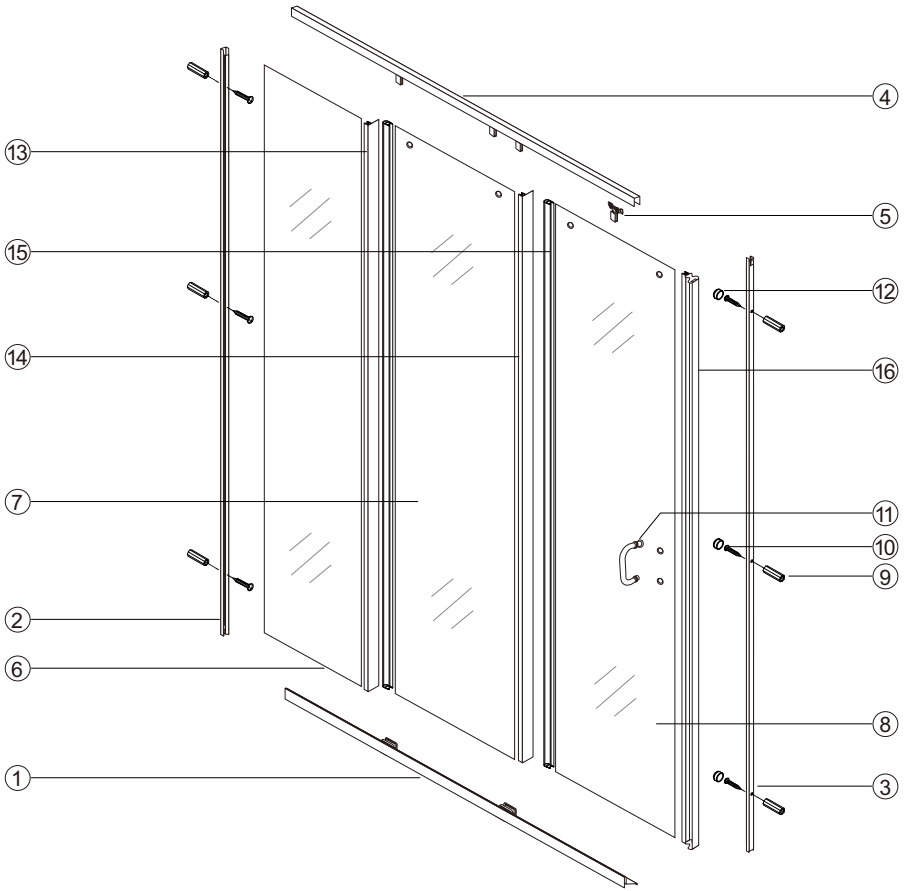


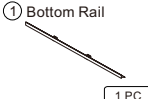
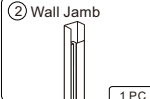
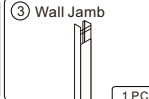
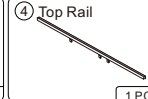
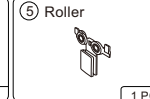
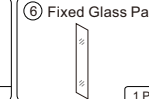


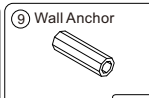

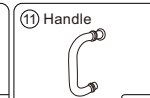

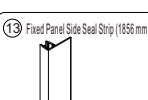



Glove



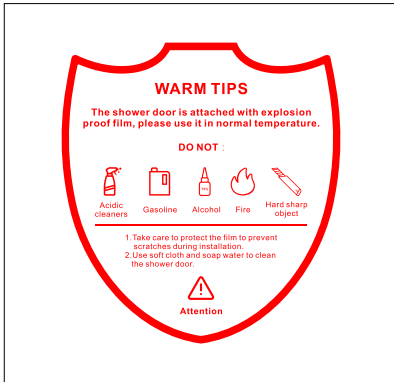
Spirit Level

ESSENTIAL ACCESSORIES LIST

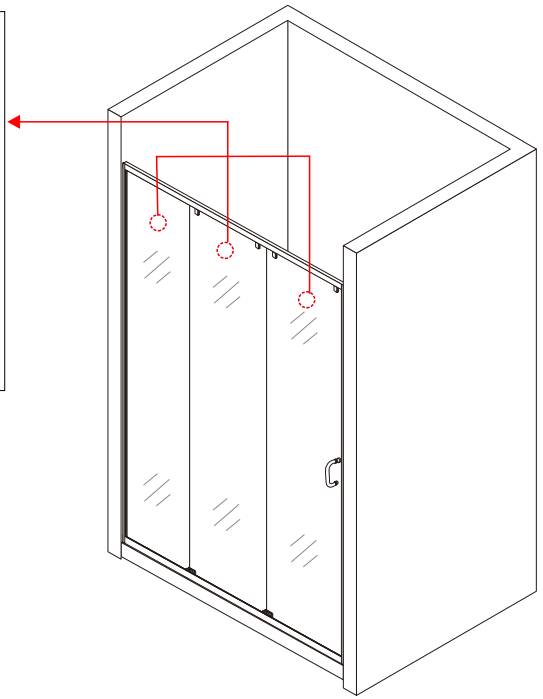


 <p>1 Bottom Rail</p> <p>1 PC</p>	 <p>2 Wall Jamb</p> <p>1 PC</p>	 <p>3 Wall Jamb</p> <p>1 PC</p>	 <p>4 Top Rail</p> <p>1 PC</p>	 <p>5 Roller</p> <p>1 PC</p>	 <p>6 Fixed Glass Panel</p> <p>1 PC</p>
 <p>7 Mid Sliding Glass Door</p> <p>1 PC</p>	 <p>8 Sliding Glass Door</p> <p>1 PC</p>	 <p>9 Wall Anchor</p> <p>6 PCS</p>	 <p>10 Screw STX30</p> <p>6 PCS</p>	 <p>11 Handle</p> <p>1 PC</p>	 <p>12 Decorative Covers</p> <p>3 PCS</p>
 <p>13 Fixed Panel Side Seal Strip (1856 mm)</p> <p>1 PC</p>	 <p>14 Sliding Door Side Seal Strip (1850 mm)</p> <p>1 PC</p>	 <p>15 Waterproof Strip</p> <p>2 PCS</p>	 <p>16 Glass Door Bumper Strip</p> <p>1 PC</p>		

Verify all parts before starting. Contact customer service if anything is missing or damaged.

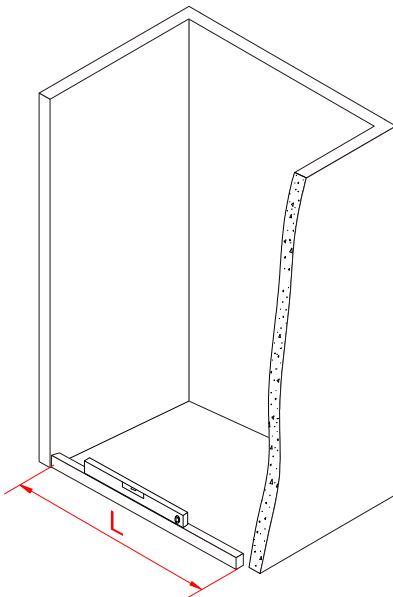


Note: The explosion-proof film is pre-applied to the glass. Install with the film facing inside the shower area.

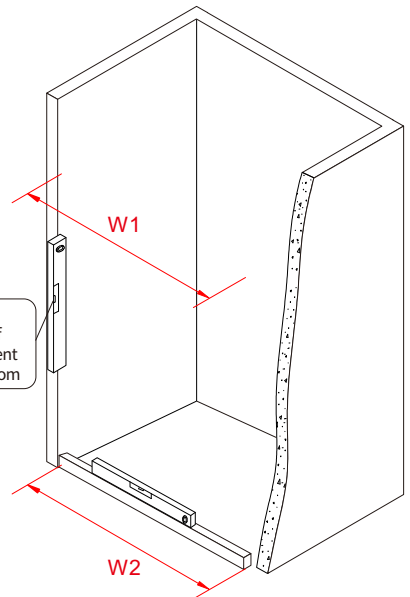


Step1: Measure the finished opening width.

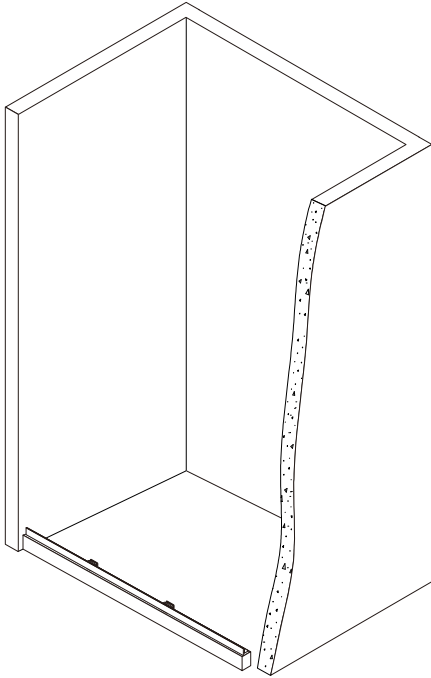
- 1.Measure the finished opening width at the bottom and at the model height. Use these dimensions as "W1"(top)and"W2"(bottom)in step#2.
- 2.Also check the threshold for level and the walls for plumb.



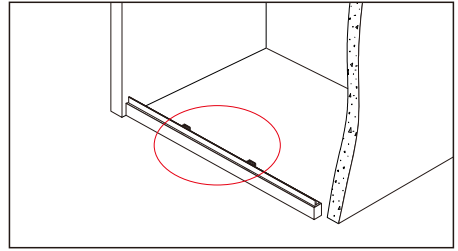
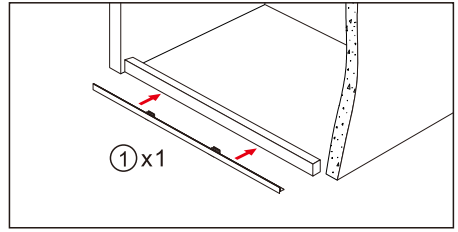
1/4"(6mm)
Maximum out of plumb adjustment from top to bottom



Step2:Install the Wall Jamb

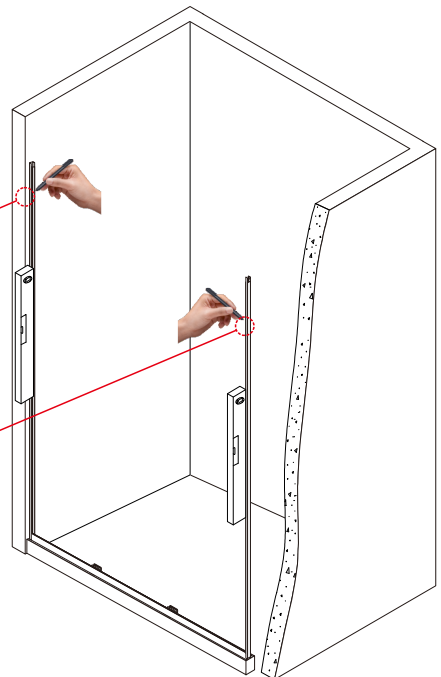
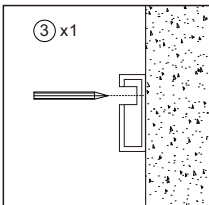
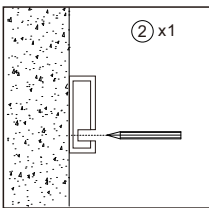


Place the bottom rail ① on the shower base.

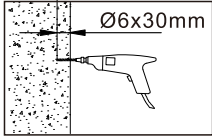


Position left ② and right ③ wall jambs against the finished walls.

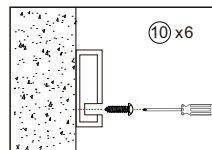
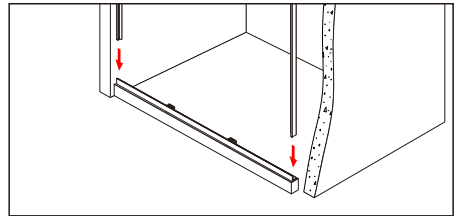
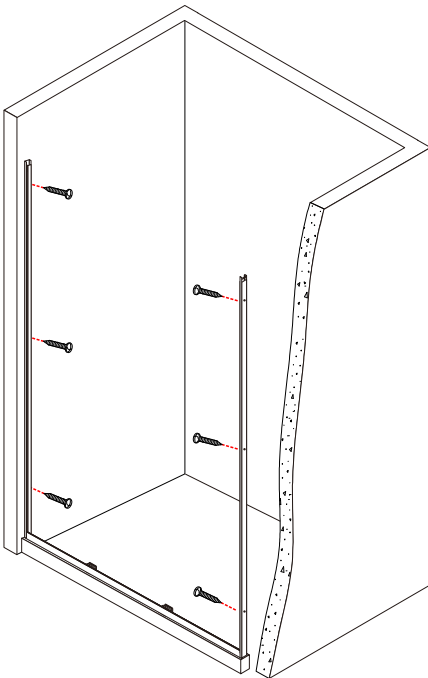
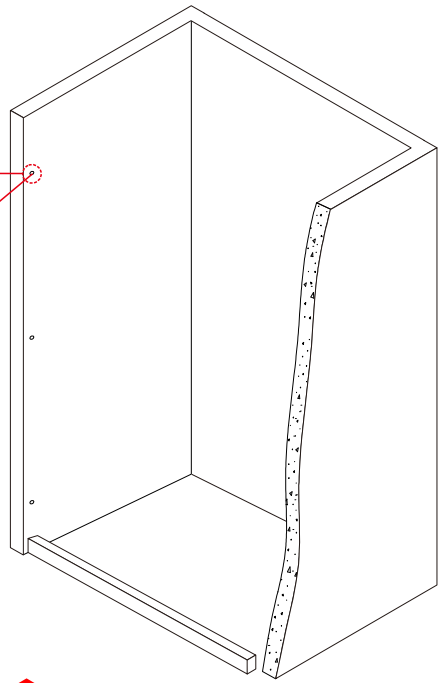
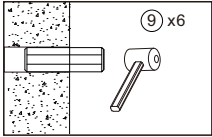
Use a spirit level to ensure jambs are plumb and square. Mark screw hole locations.



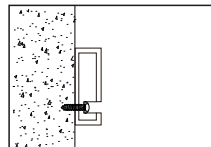
Drill 6 mm × 30 mm holes into the wall.

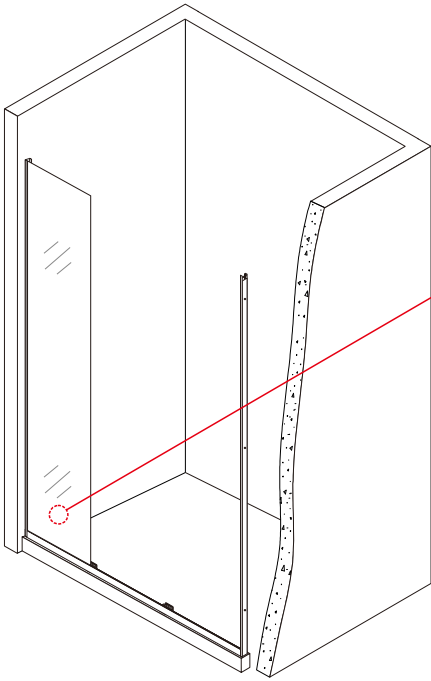


Insert wall anchors ⑨ using a hammer.

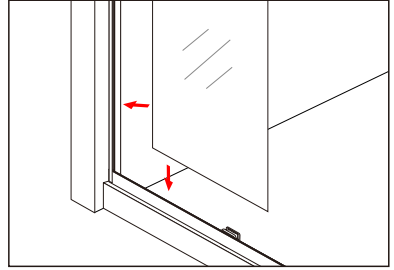


Secure jamba with STX30 screws ⑩

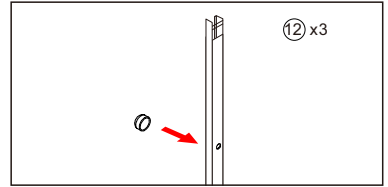




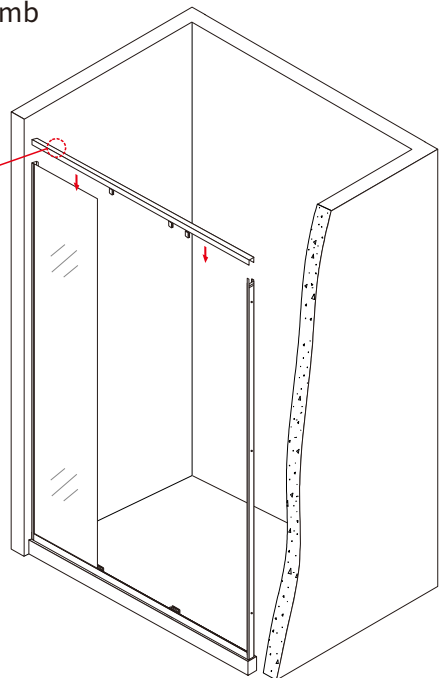
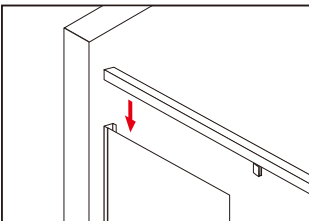
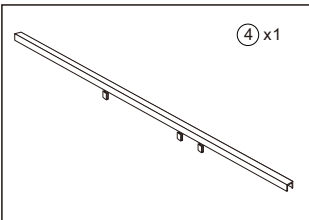
Insert the glass door ⑥ into the bottom rail ① and wall jamb ②



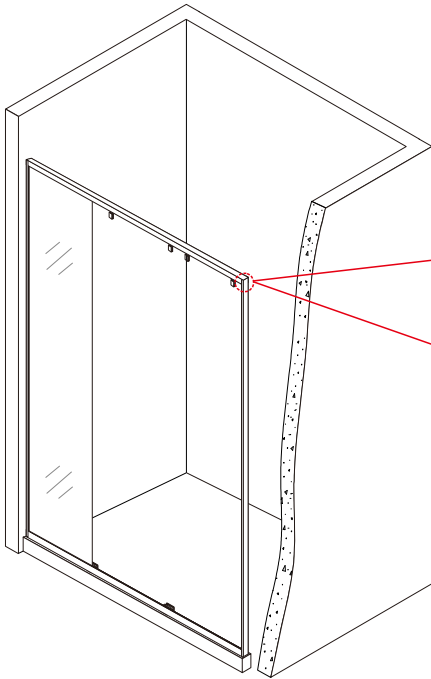
Cover the screw of the wall jamb ③ with decorative covers ⑫



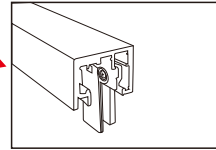
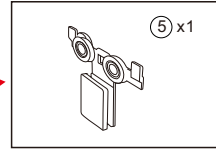
Step3: Insert the top rail ④ into the wall jamb



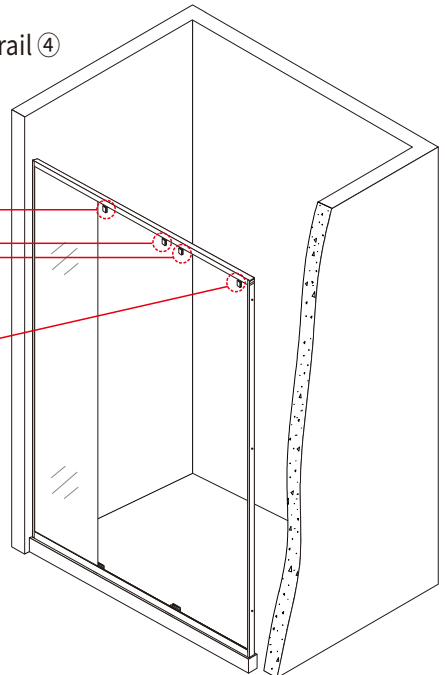
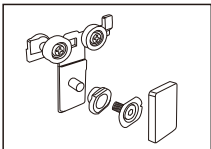
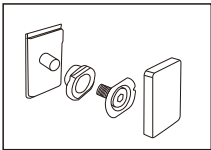
Step 4: Install Roller



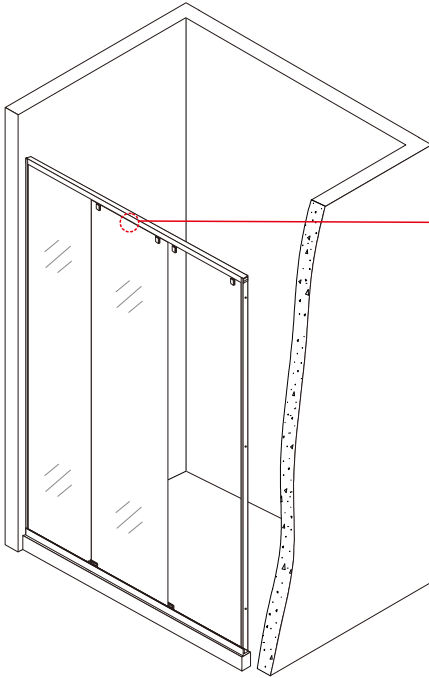
Place the roller assembly ⑤ into the interior channel of the top rail ④.



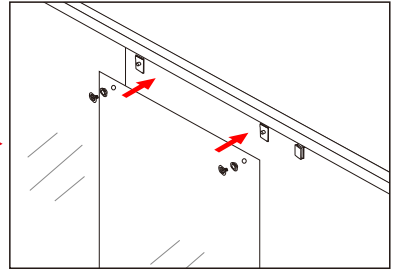
Step 5: Disassemble the accessories of the top rail ④



Step 6: Install Mid Sliding Glass Door ⑦

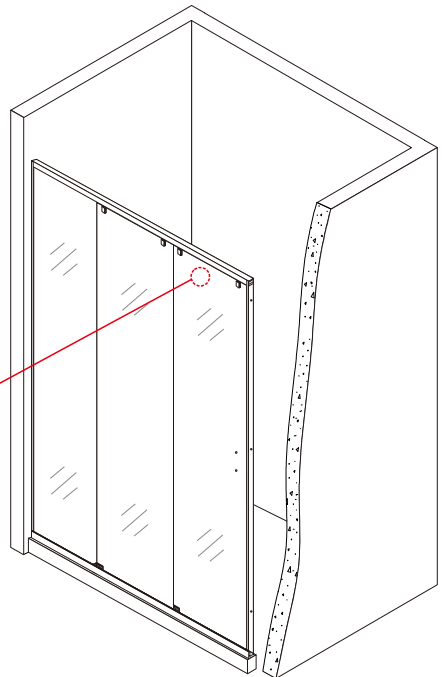
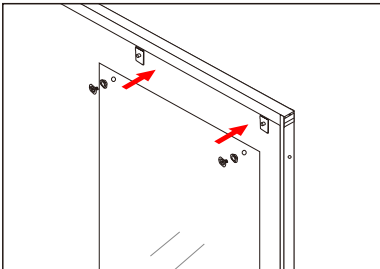


Insert the sliding glass door ⑦ into the bottom guide block, then secure it to the top rail ④.



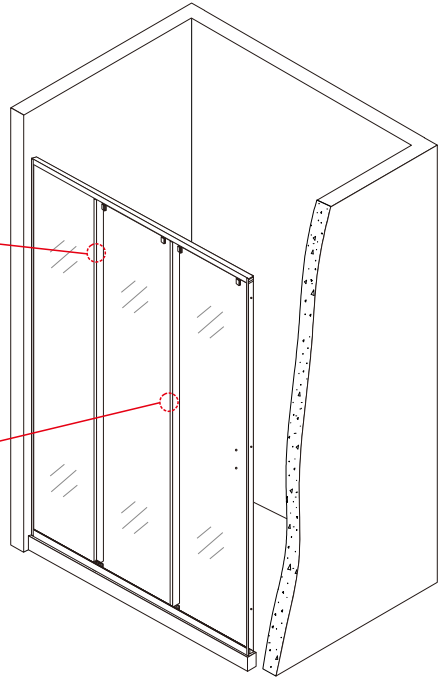
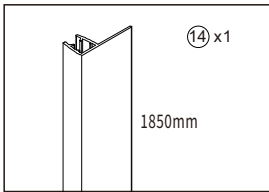
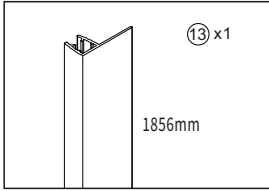
Step 7: Install Sliding Glass Door ⑧

Insert the second sliding glass door ⑧ into the bottom guide block, then secure it to the top rail ④.

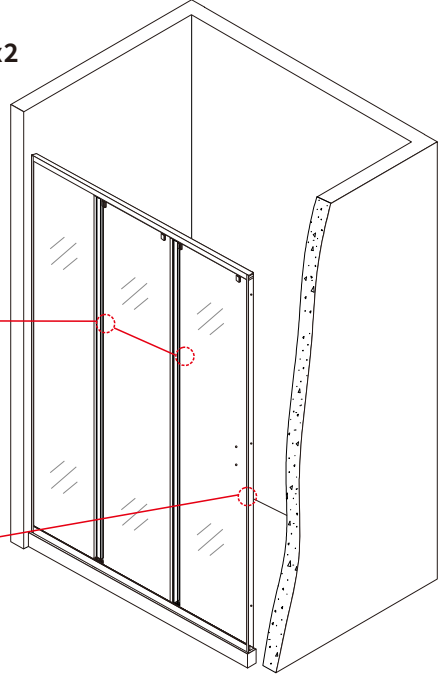
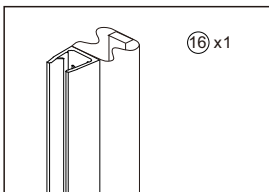
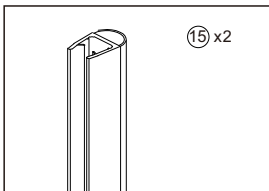


Step 8: Install Side Seal Strips

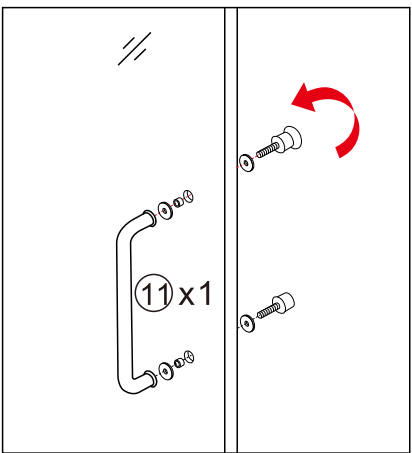
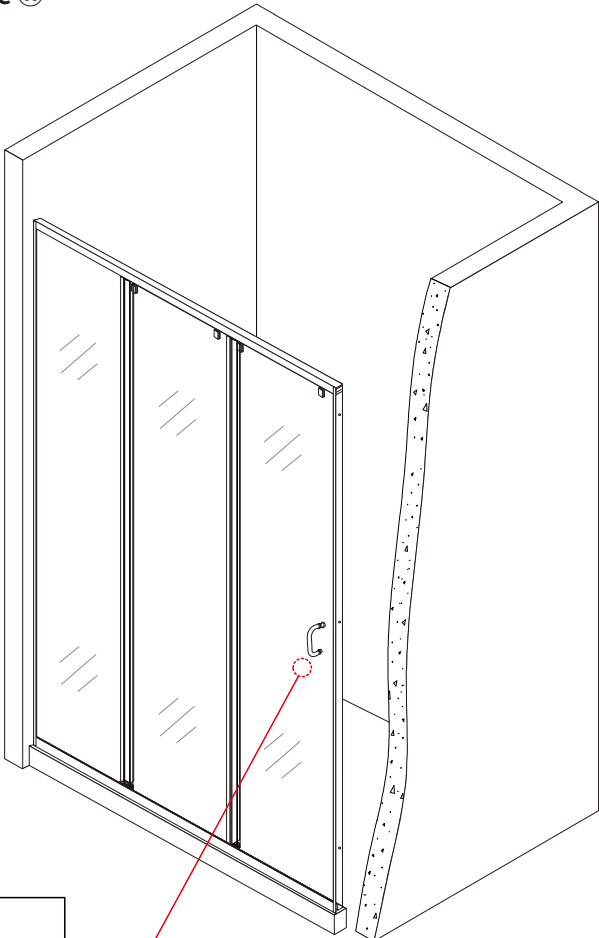
Use the 1856 mm strip ⑬ on the fixed glass panel, and the 1850 mm strip ⑭ on the mid sliding glass door.



Step 9: Install Waterproof Strips ⑮x2 and Door Bumper Strip ⑯

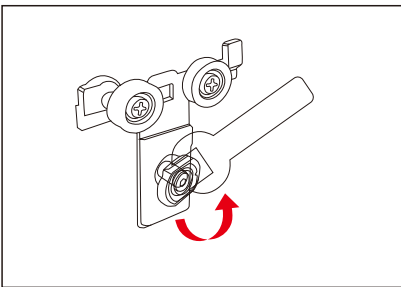
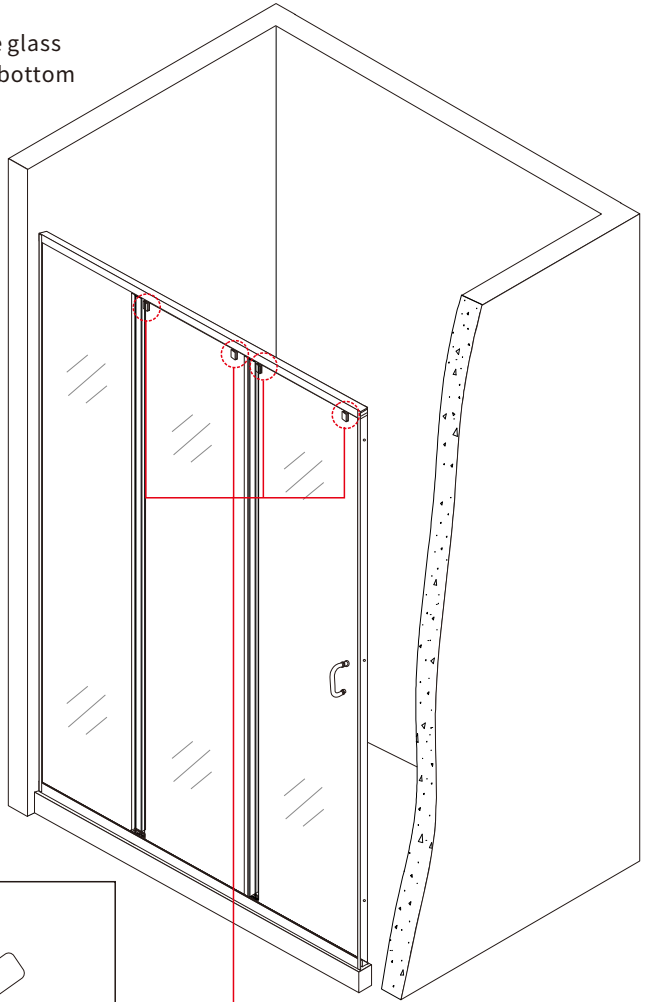


Step10: Install the handle ⑪



Step 11: Test door operation

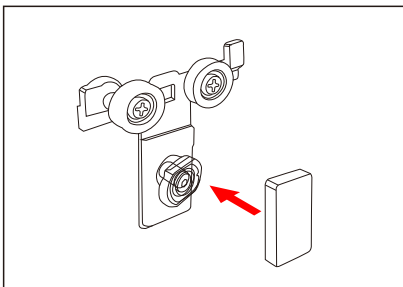
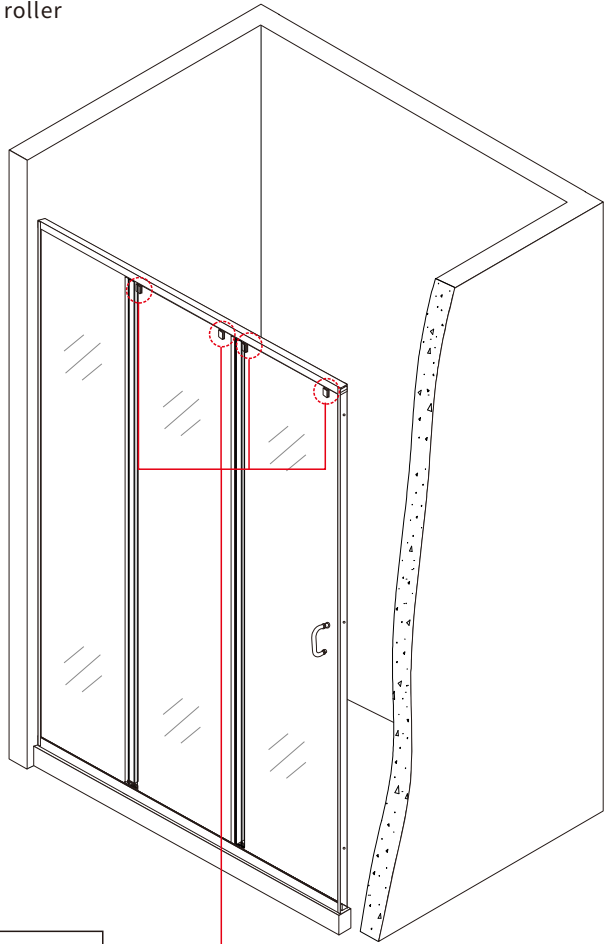
1. Check that the glass door slides smoothly.
2. Ensure the bottom of the glass door fits properly into the bottom guide.



IF NOT:

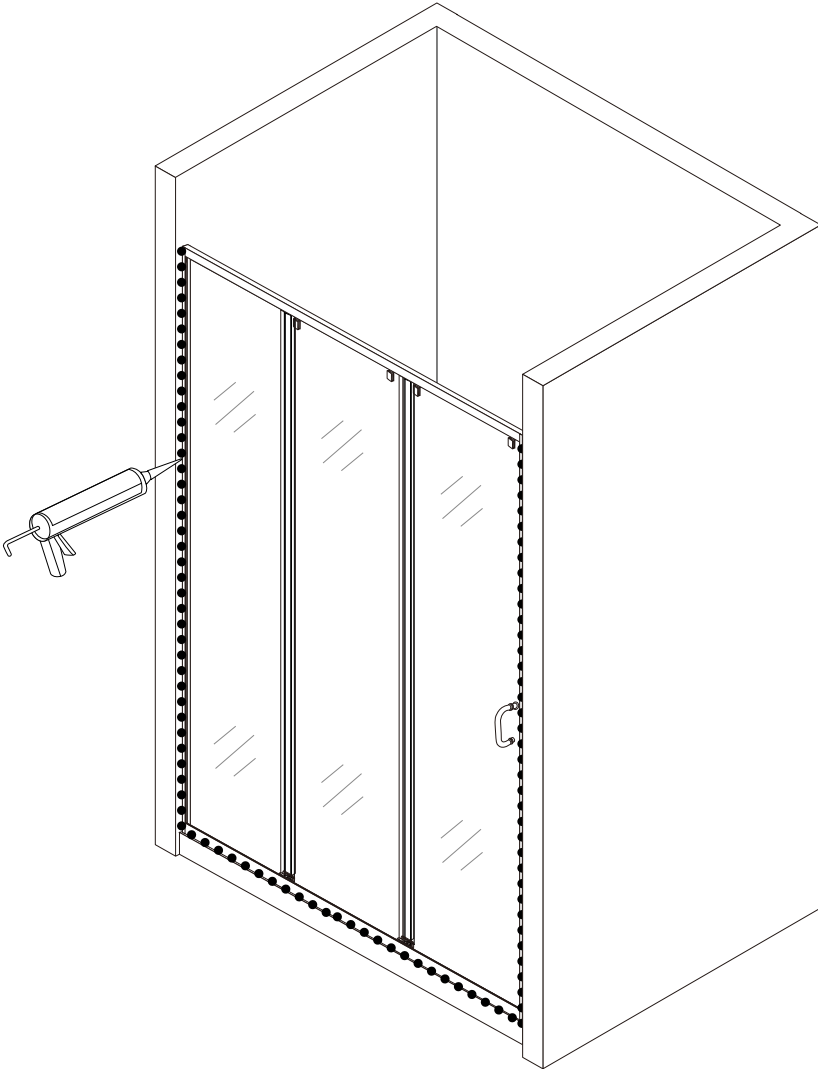
1. Adjust the roller height to position the door correctly.
2. Verify that the bottom rail and wall jambs are level and plumb, then readjust if necessary.

Once operation is smooth, install the decorative cover on the roller assembly.



Step 12: Apply the silicone sealant

Apply a continuous bead of neutral-cure silicone sealant along the outer side of the wall jambs and the outer edge of the bottom rail (threshold).



Note: Wait 24 hours for the sealant to cure before using the shower.

SHOWER DOOR MAINTENANCE MANUAL

Cleaning:

1. When cleaning the frame, glass and hardware accessories of the shower door, please use a soft cloth. If there is slight dirt, please use a soft cloth or sponge dipped in "neutral detergent" for cleaning. After removing the stubborn dirt, please rinse with plenty of water to prevent the cleaning agent from remaining on the surface of the shower door and causing corrosion damage.
2. When using the special detergent and cleaning agent for bathroom, please be sure to use it correctly according to the precautions described in the detergent. Incorrect use will cause the product to have some bad conditions, such as paint peeling, color fading, rust, tarnishing, etc.
3. Do not use the following items for cleaning: acid, alkaline solvents, medicines (such as hydrochloric acid), solvents containing bleach, acetone diluent, detergent powder, toilet cleaner, etc, otherwise the product will be damaged. There are some bad conditions, such as paint peeling, discoloration, rust, tarnishing, etc.
4. The cleaning items that can be used for the product are: soft cloth, toothbrush, neutral detergent, a mixture of diluted vinegar and salt. Note: any cleaning agent will have a certain impact on the surface of the product, so use caution. Rinse with clean water in time to prevent damage to the surface caused by the residual detergent.

How to use and maintain the pulley of the shower door:

1. Avoid hitting the movable door with force, so as not to cause the movable door to fall off.
2. Pay attention to regularly clean the slide rails, pulleys and sliders, and add lubricant (lubricating oil or lubricating wax).
3. Regularly adjust the fixing screws of the pulley to ensure the effective bearing and good sliding of the pulley on the movable door.

Maintenance of tempered glass:

1. Do not hit or hit the glass surface with sharp objects to avoid damage.
2. Do not wipe the glass surface with rough objects to avoid scratches.
3. After using for a period of time, the glass will remain dirt, remove the dirt on the glass. you can use a mixture of cool and salt to wash with a toothbrush, you can remove the stains. Pay attention to rinse with clean water in time after use.

THANK YOU FOR SHOPPING WITH US!



**PLEASE DO NOT RETURN TO STORE!
PLEASE CHECK ALL THE ACCESSORIES
BEFORE INSTALLATION.**

Tips: If there is any questions for the products, please feel free to contact us. We will solve it at the first time.

For quick and better to solve problem for you, Required information is a MUST:

1. Where you buy
2. PO Number/Tracking number
3. SKU Number
4. Problem to Clarify
5. Picture/Video

Email: servicefast1@outlook.com