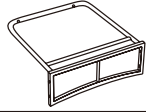



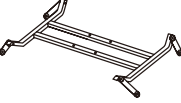
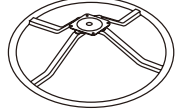
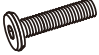

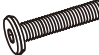







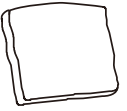


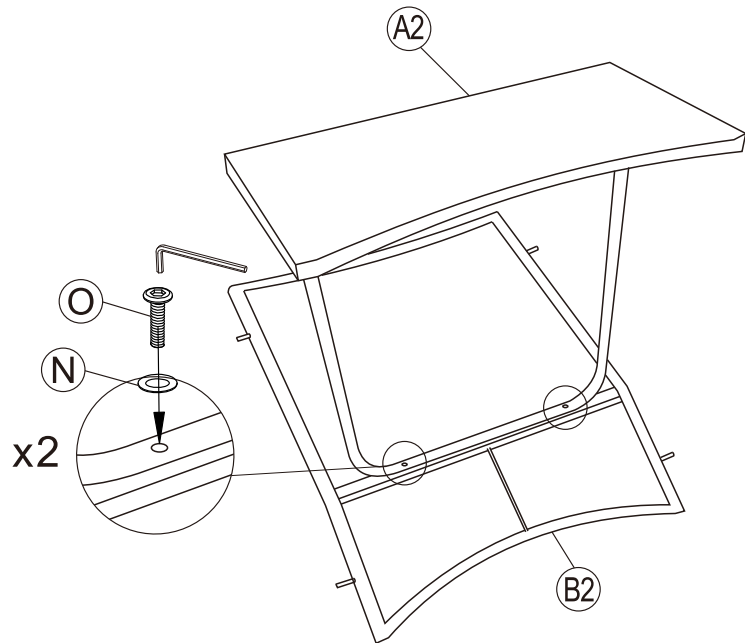
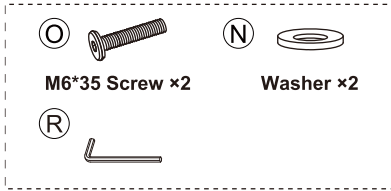
COMPONENT LIST - ARMCHAIR

Item no.	Reference Image	Description	Qty.
A2		Seat Panel	2
B2		Back Panel	2
C2		Left Armrest	2
D2		Right Armrest	2
E		Metal Stand	2
F		Metal Base	2
M		M6*30 Head Cap Screw	8
N		Washer	52
O		M6*35 Head Cap Screw	20
P		M6*45 Head Cap Screw	8

COMPONENT LIST - ARMCHAIR

Item no.	Reference Image	Description	Qty.
Q		Nut	16
R		Allen Key	1
S		Plastic Washer	8
T		Cap	8
V		Spanner	1
I		Seat Cushion	2
J		Pillow	2

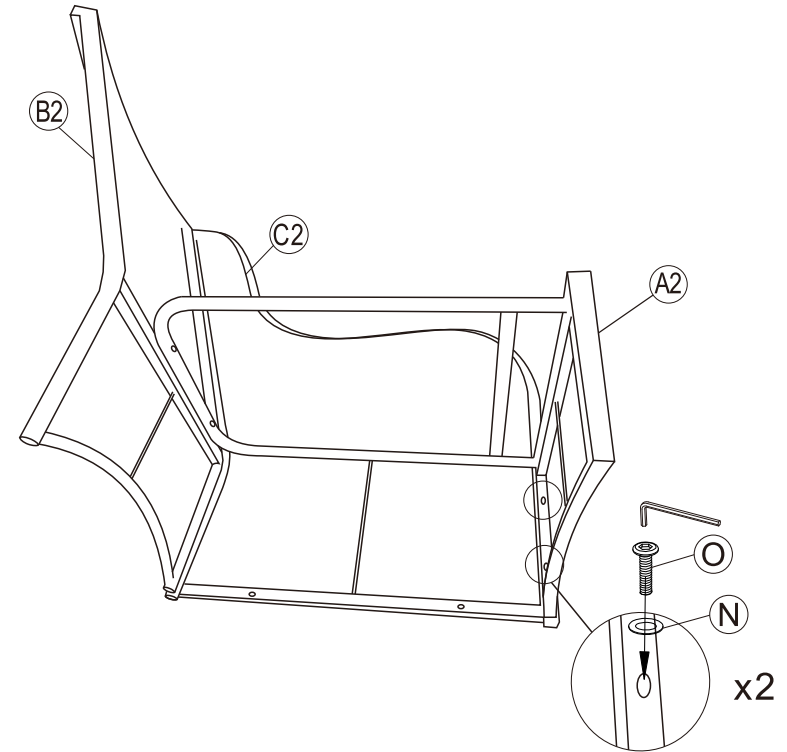
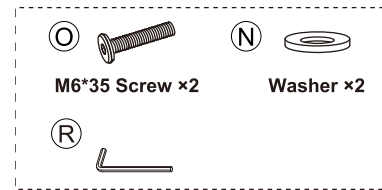
01



assembly Sofa :

As shown in the figure: Place the backrest B2 flat on a clean ground (convex face up), align the assembly hole of the seat B2 with the assembly hole of the backrest A2, add gasket T to the screw O for assembly, and screw the screw to 50%.l.

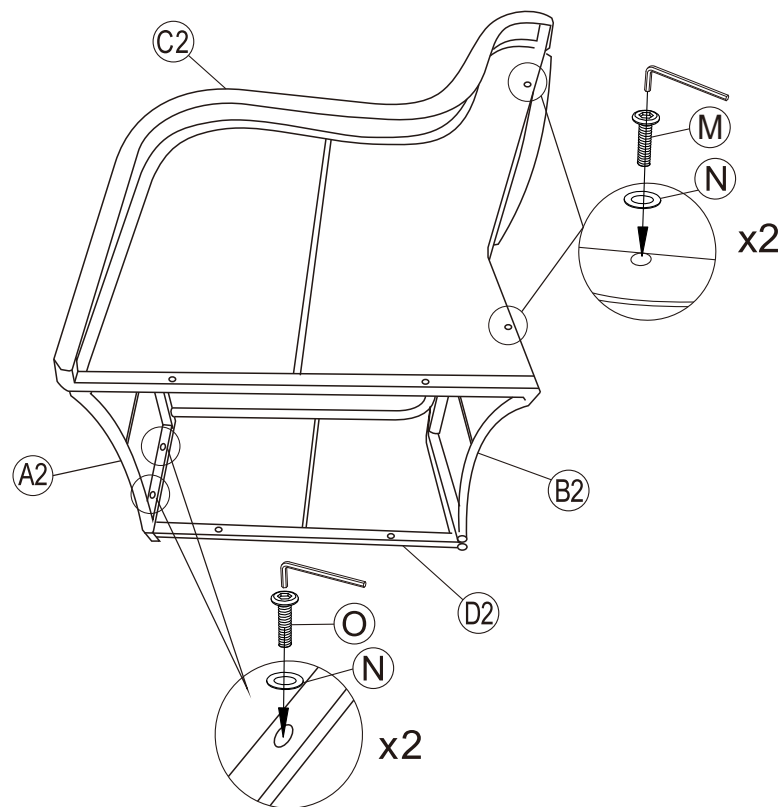
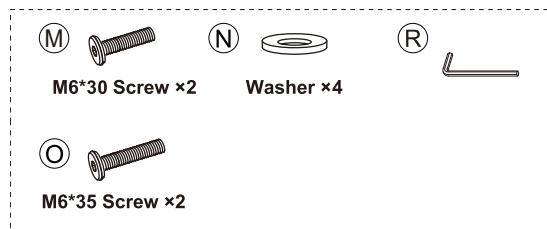
02



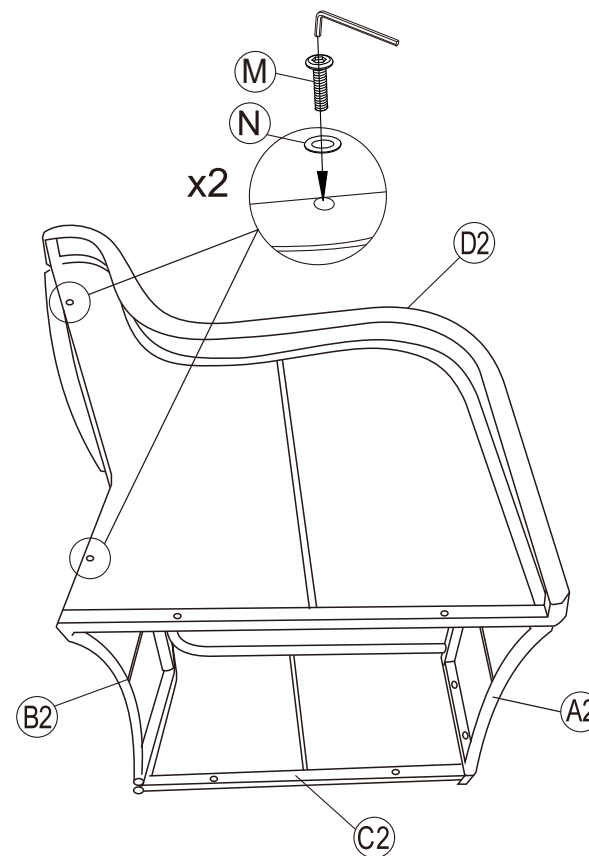
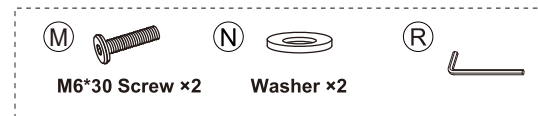
As shown in the figure, place the left armrest C2 flat on a clean surface (with the rolled side facing down), following the previous step, align the assembly holes on the side of the backrest with the assembly holes on the side of the armrest, align the assembly holes on the front edge of the seat frame with the assembly holes on the side of the armrest, add washer N to the bolt O, and assemble the front edge of the seat frame, tighten the bolt to 50%. (Assemble only the two screws in the indicated position.)

In the same way, assemble the right handrail.

03



04

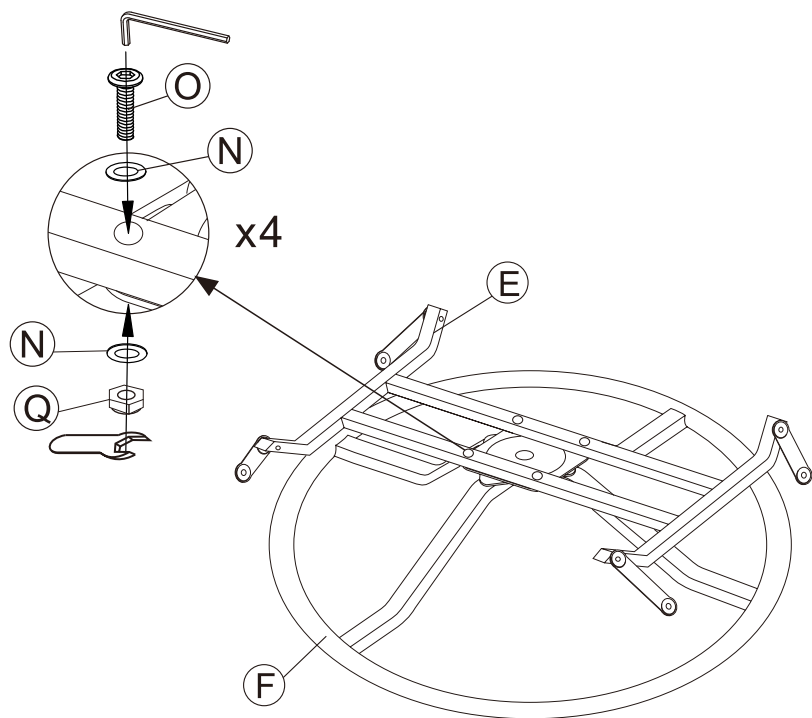
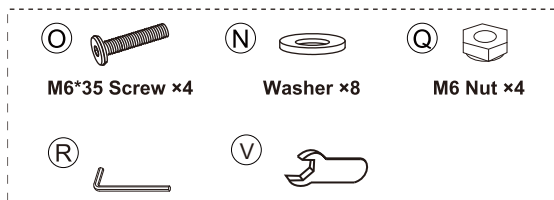


As shown in the figure, put a gasket N on the screw M and assemble it in the hole on the outside of the handrail (The handrails on both sides are assembled the same way.)

Tighten all screws with an Allen wrench.

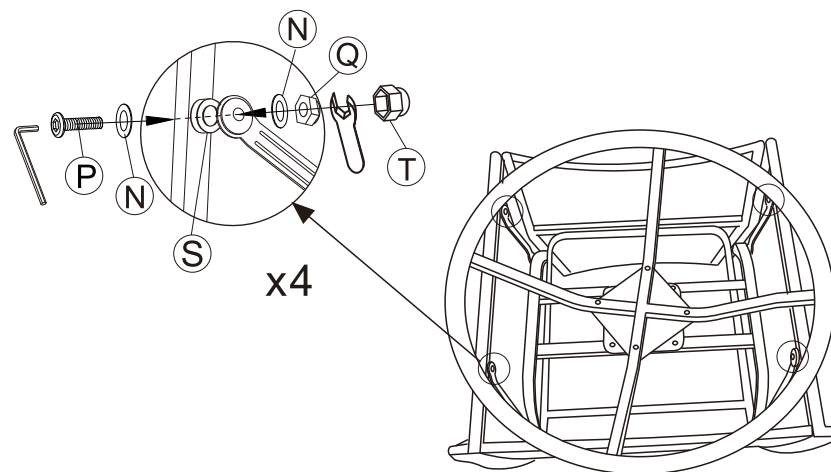
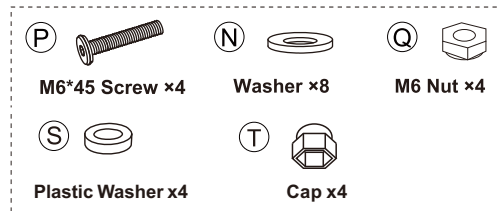
Note: Carefully compare the picture, the screw models used in different assembly parts are different, please pay attention to distinguish.

05



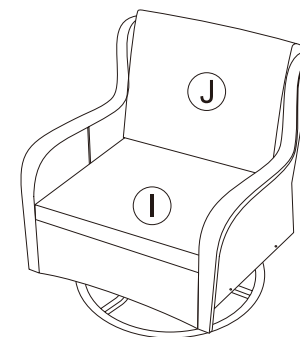
Place the turntable F flat on the ground, put the gasket N on the screw O, and assemble the support frame E and the turntable F according to the figure. Tighten the screw with the hex socket. (camber of support frame up)

06

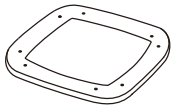

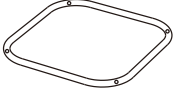





Place the bottom of the sofa assembled in step 4 upward on a clean plane, put gasket N over the screw P in the reserved hole at the bottom edge of the figure, assemble the four supporting feet of the metal support frame E, put on the plastic cushion S, gasket N, nut Q in order, and tighten the screw with the hex tool R and V. When assembled, the support frame is on the inside of the sofa.

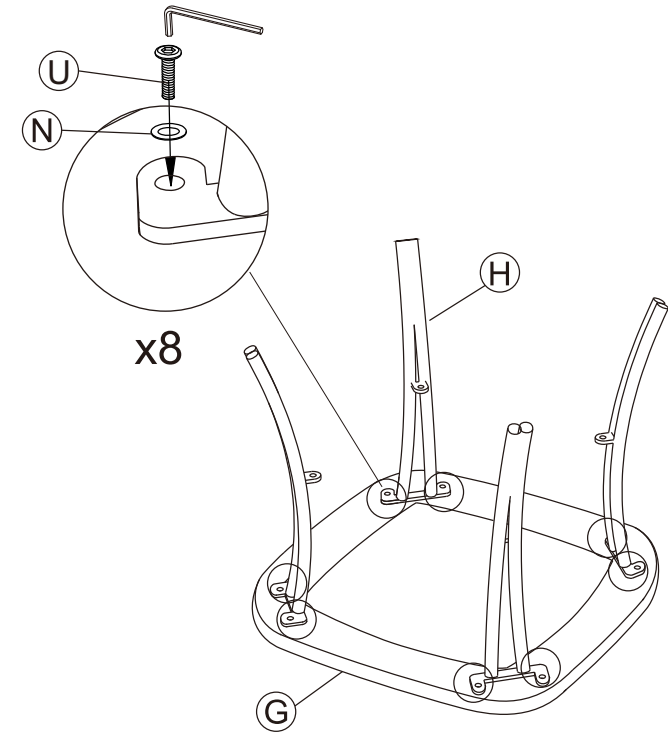
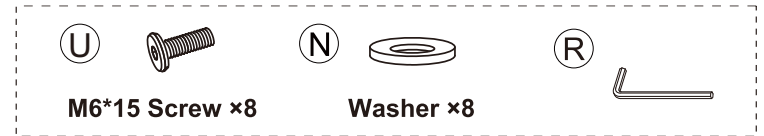
07



COMPONENT LIST - TABLE

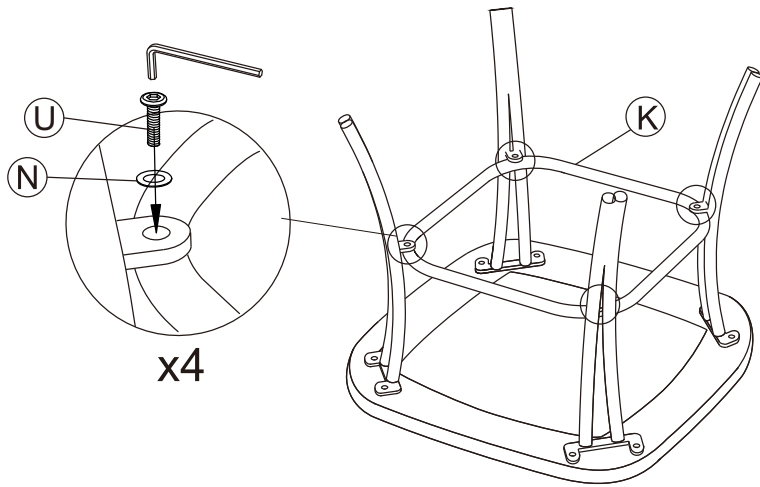
Item no.	Reference Image	Description	Qty.
G		Table Top Frame	1
H		Table Leg	4
K		Table Bottom	1
N		Washer	12
U		M6*15 Head Cap Screw	12
R		Allen Key	1

01



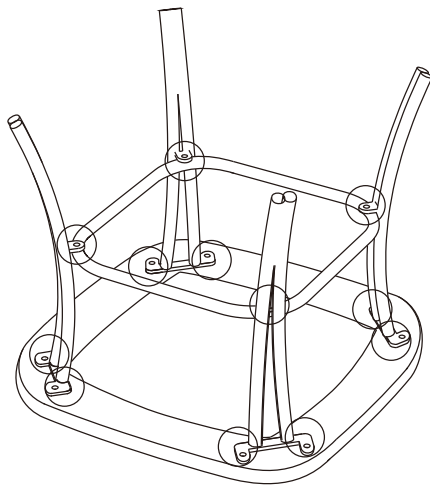
Place the table top G bottom up on a clean surface (the side with the assembly hole is the bottom) and align the hole of foot H with the assembly hole of the table top. Insert gasket N on screw U for assembly. Two screws per foot, a total of four feet.

02



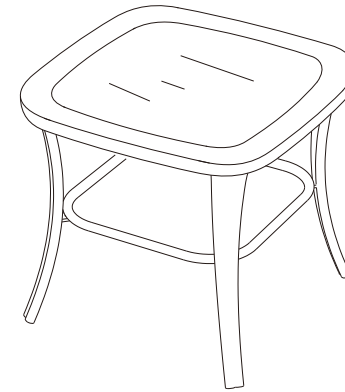
Place the gasket N over the screw U and fix the accessory K on the table foot H with the hex tool.

03



Use the hex tool to lock all screws.

04



05

