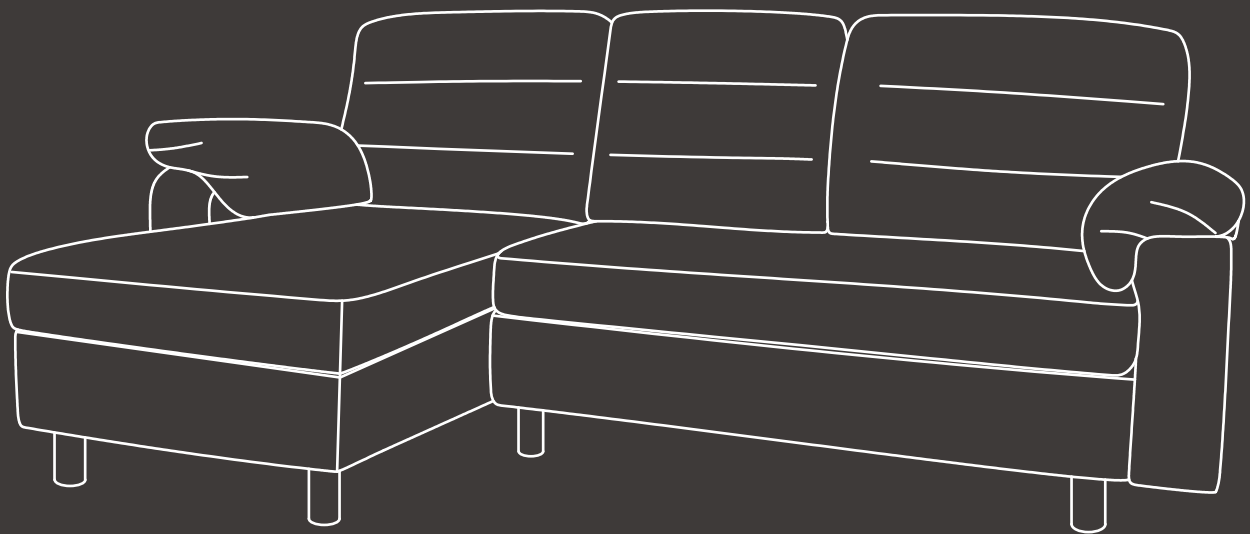


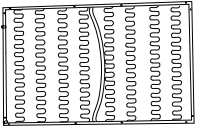
Sectional Sofa

Instruction Manual

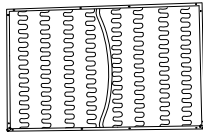


PARTS LIST

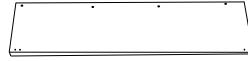
Ax1



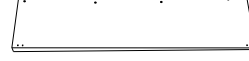
Bx1



C1x1



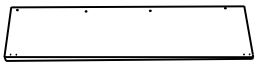
C2x1



Dx2



Ex2



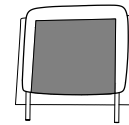
F1x1



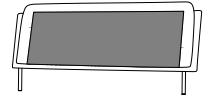
F2x1



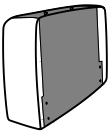
Gx1



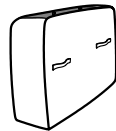
Hx1



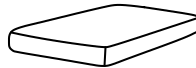
I1x1



I2x1



Jx1



Kx1



Lx8



Mx1



Nx1



Ox1



Px1



Qx1



HARDWARE

1x28



M8 x 45

2x32



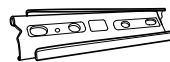
M8 x 20

3x16



M6 x 20

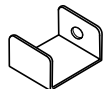
4x4



5x8



6x2



7x1



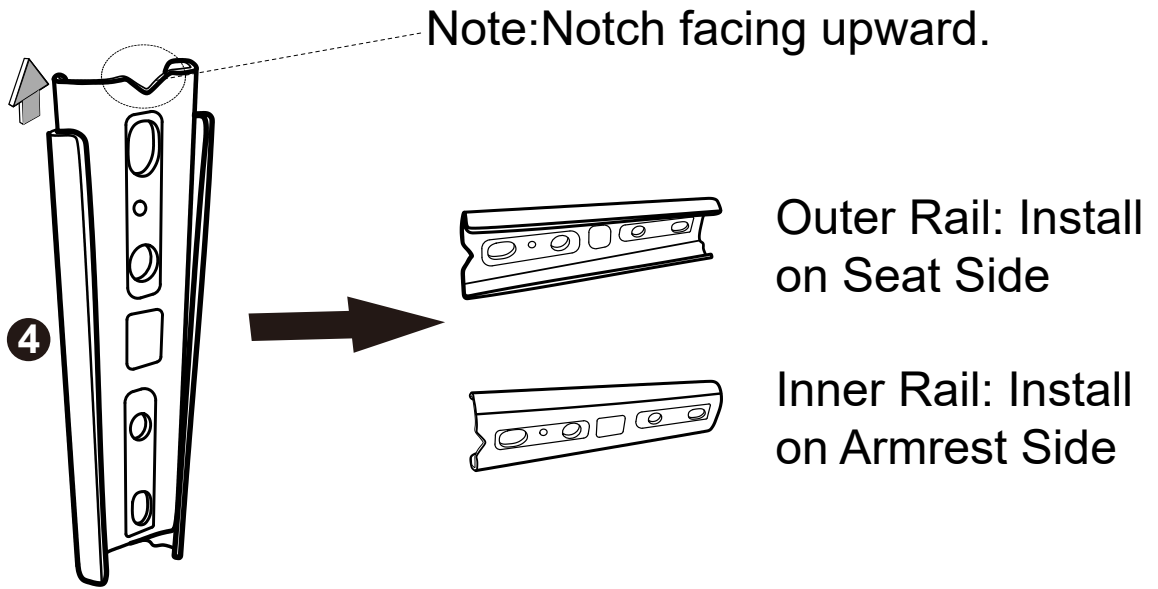
8x8






9x4

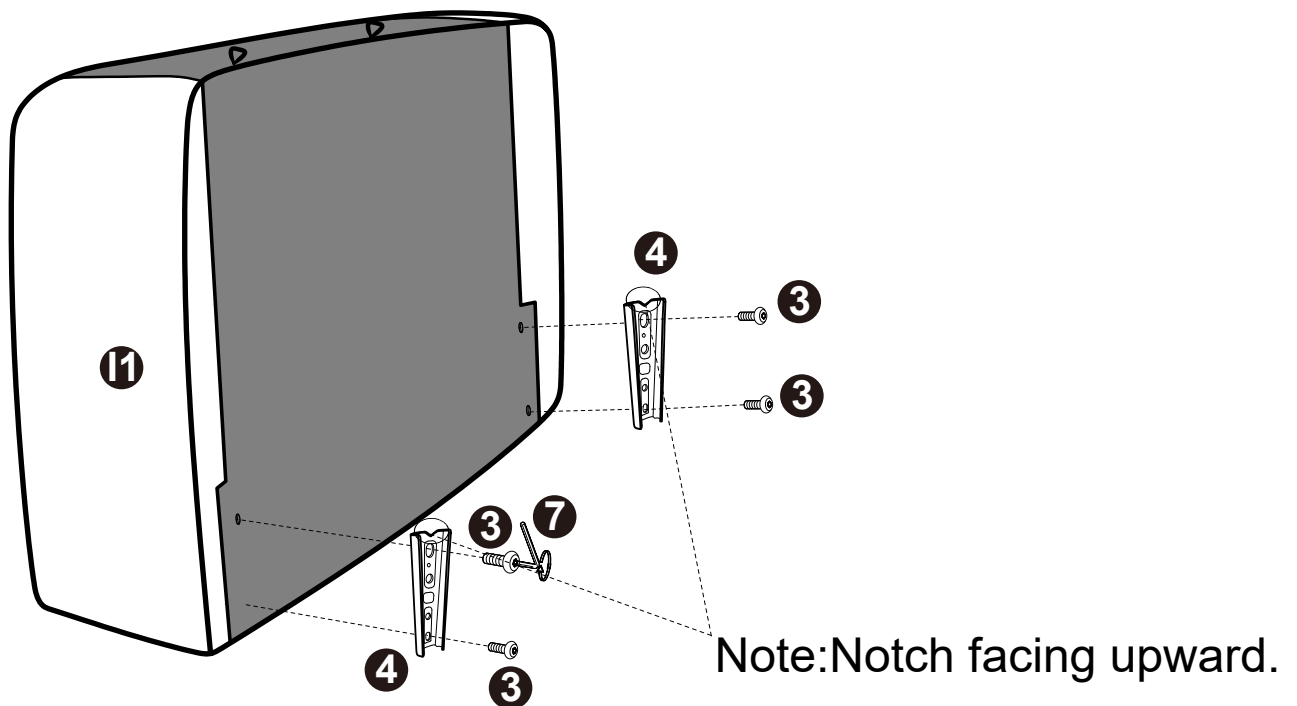


STEP 1






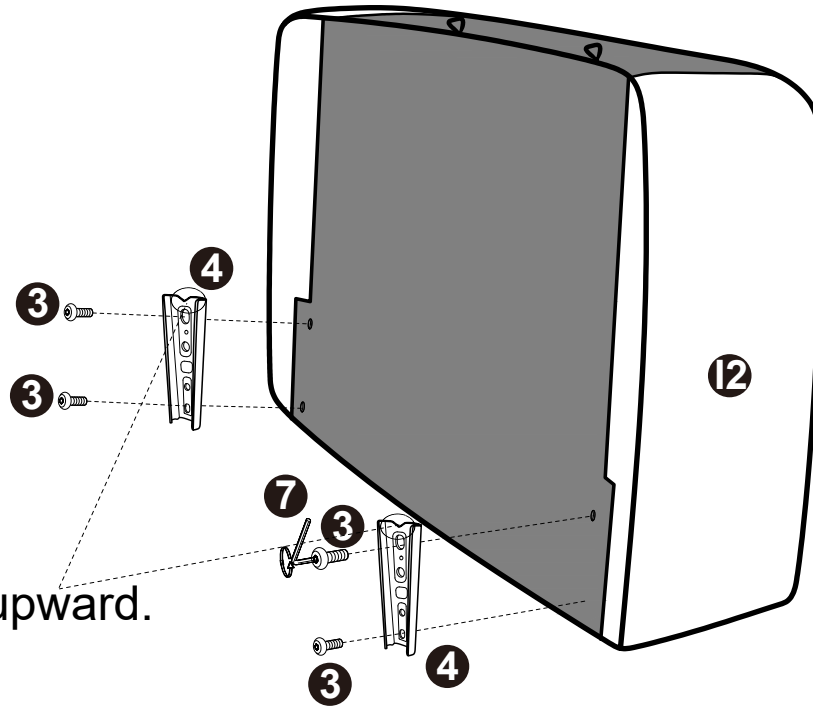
STEP 2

 M6 x 20	 Inner Rail	
3 x4	4 x2	7 x1






STEP 3

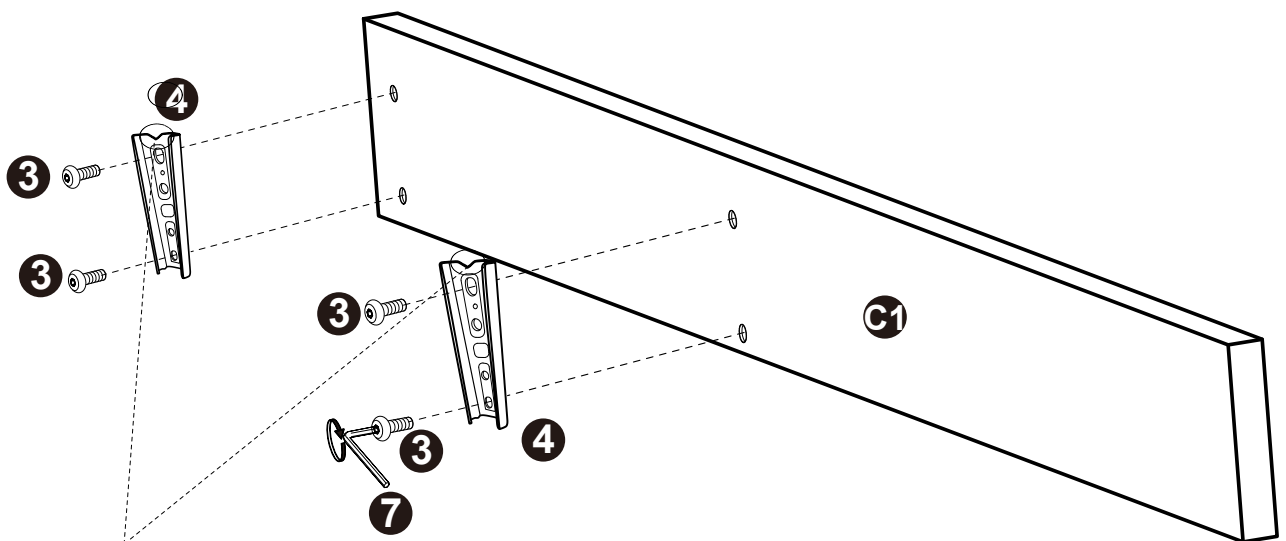
 M6 x 20	 Inner Rail	
3 x4	4 x2	7 x1



Note: Notch facing upward.




STEP 4

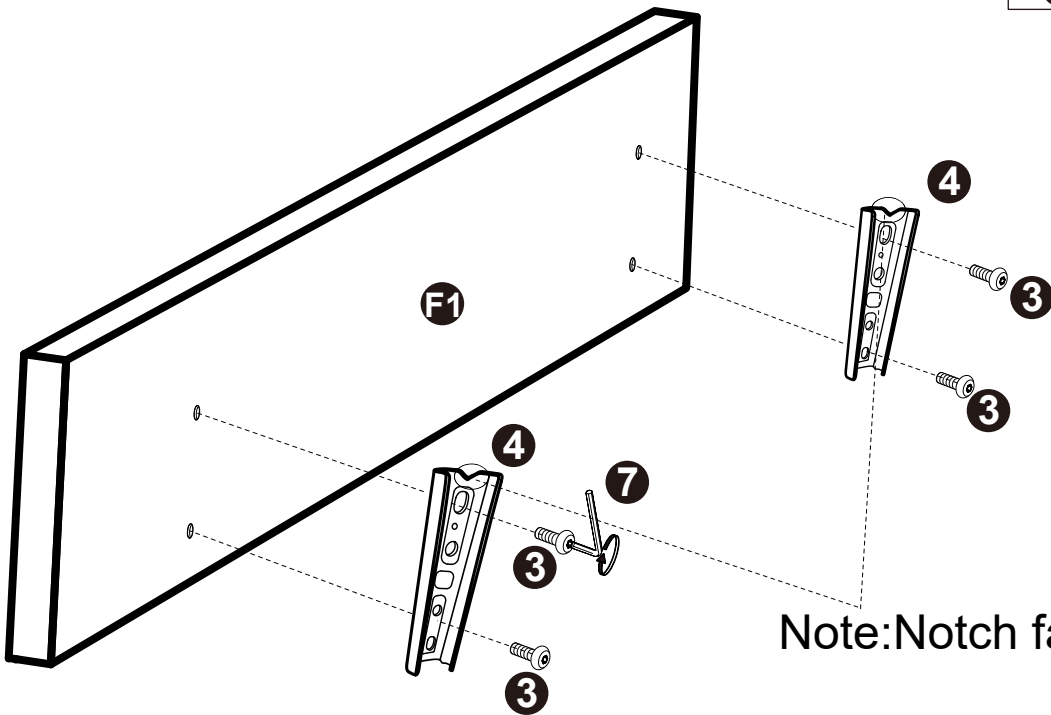
 M6 x 20	 Outer Rail	
3 x4	4 x2	7 x1





Note: Notch facing upward.

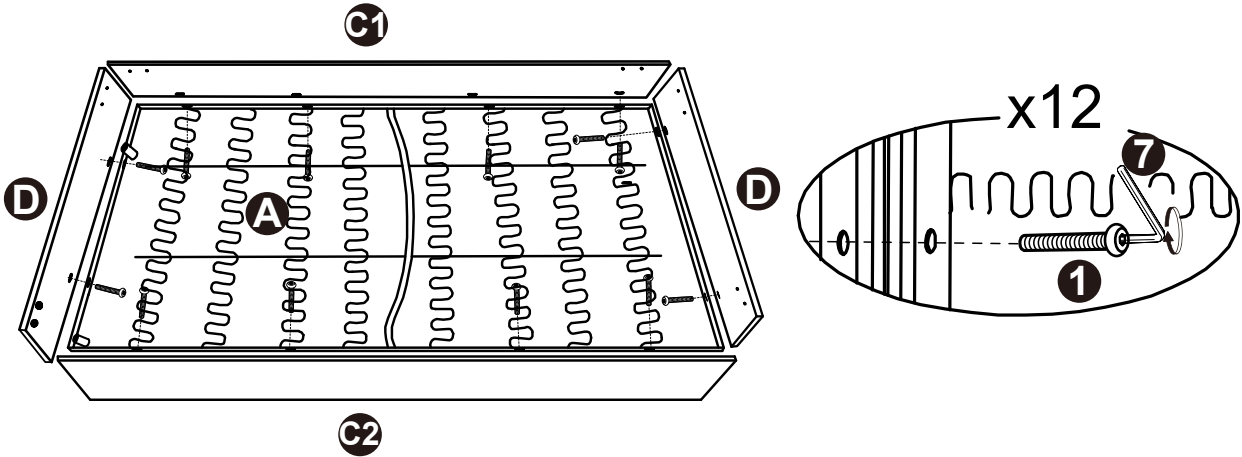
STEP 5

 M6 x 20	 Outer Rail	
3 x4	4 x2	7 x1

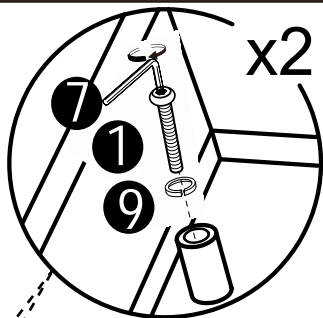
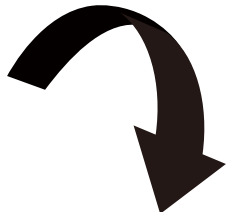
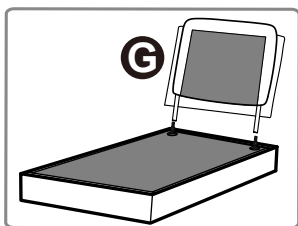


STEP 6

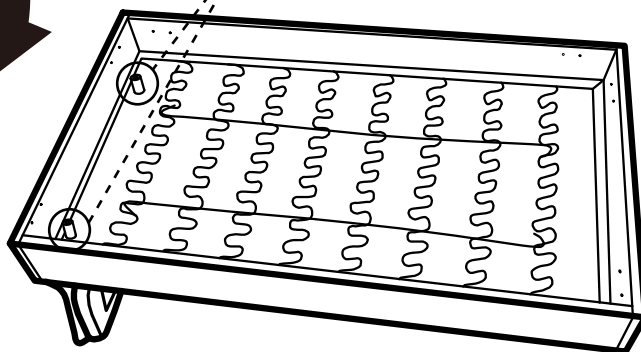
 M8 x 45	
1 x12	7 x1



STEP 7

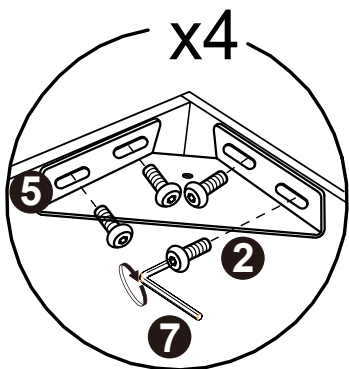


 M8 x 45		
1 x2	7 x1	9 x2

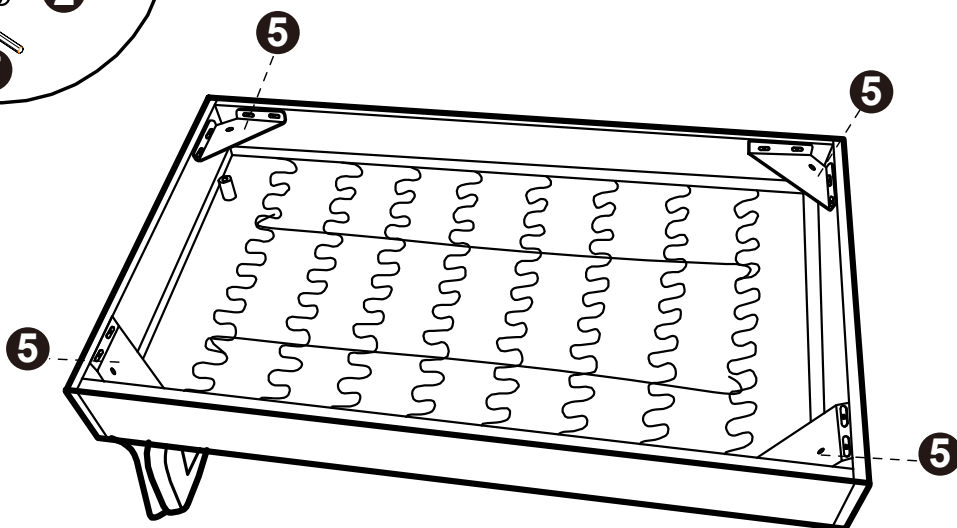


1. Turn the assembled seat upright to install the backrest **G**.
2. Turn the seat upside down again, and secure the backrest to the seat using 2 screws **1**, as shown.

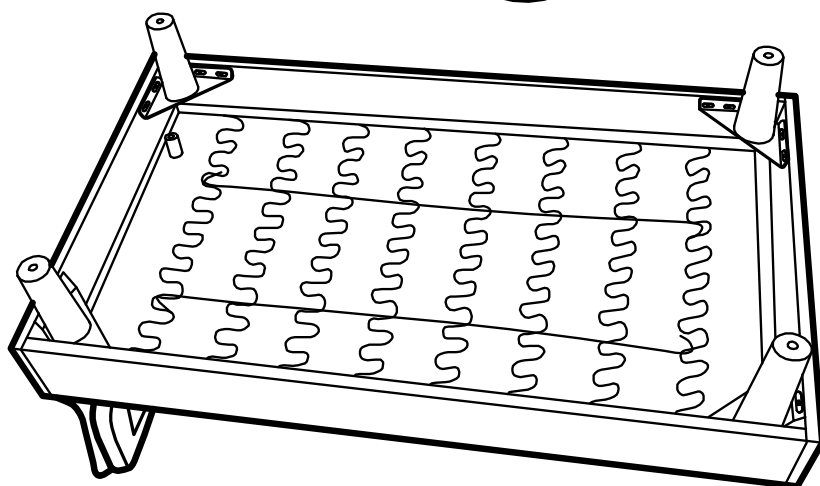
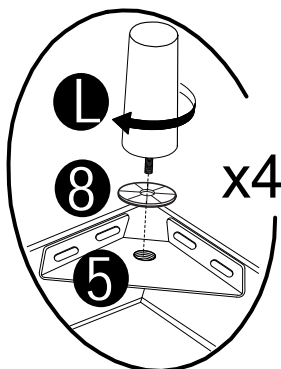
STEP 8





 M8 x 20		
2 x16	5 x4	7 x1

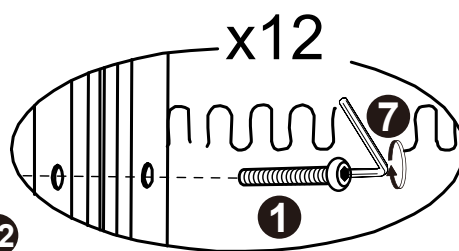
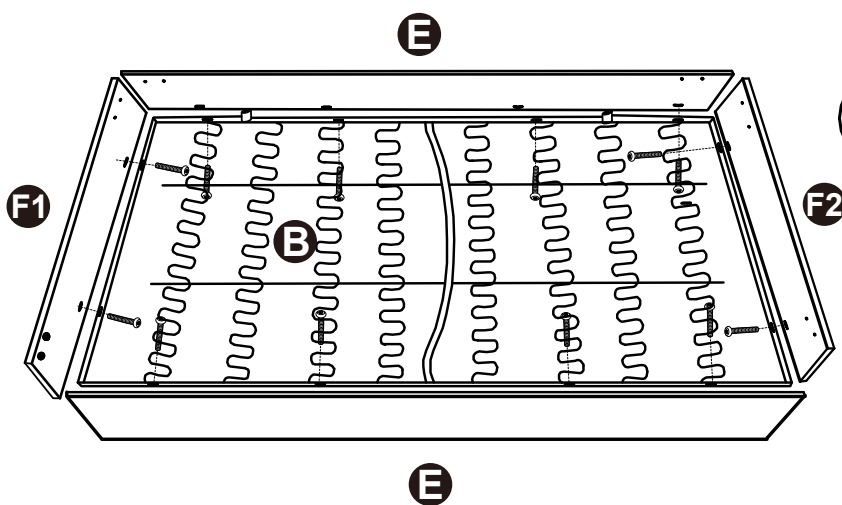


STEP 9

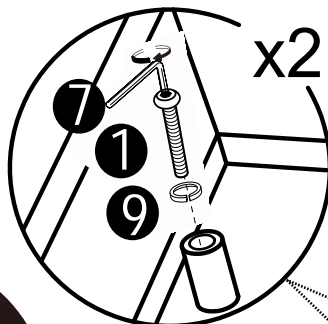
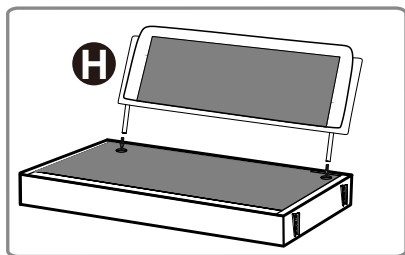





STEP 10

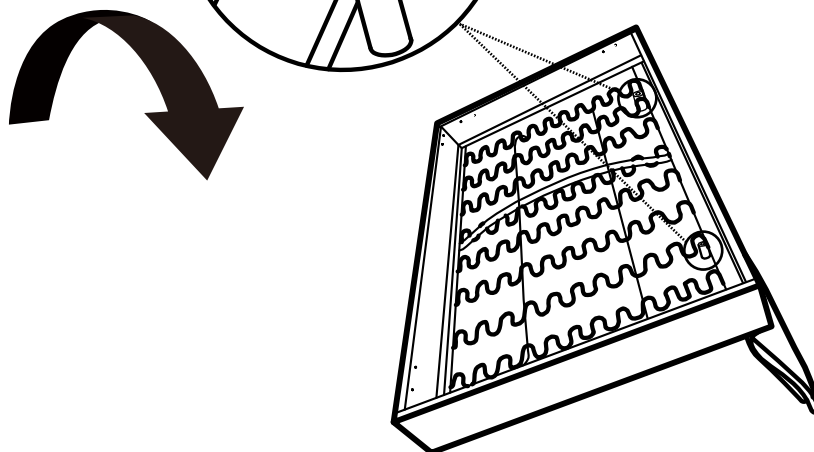
 M8 x 45	
1 x12	7 x1



STEP 11

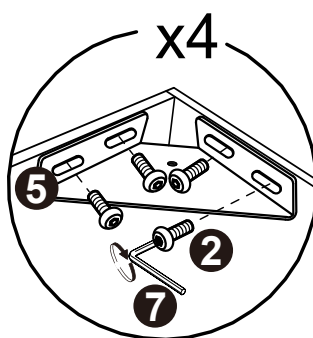





 M8 x 45		
1 x 2	7 x 1	9 x 2

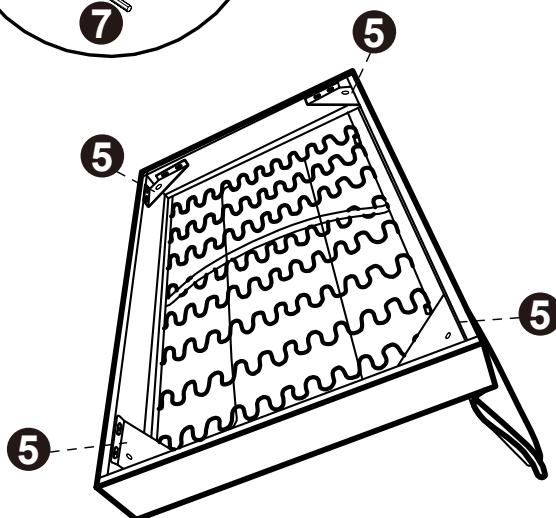


1. Turn the assembled seat upright to install the backrest **H**.
2. Turn the seat upside down again, and secure the backrest to the seat using 2 screws **1**, as shown.

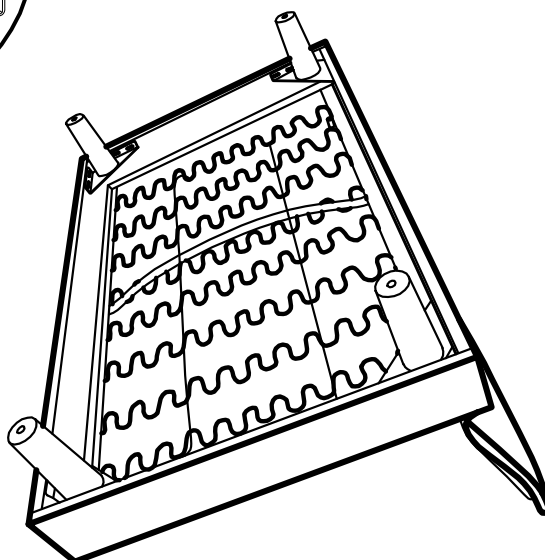
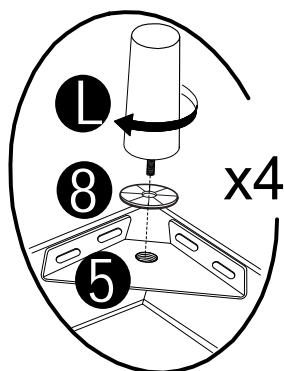
STEP 12



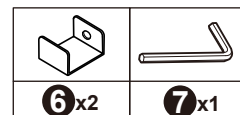
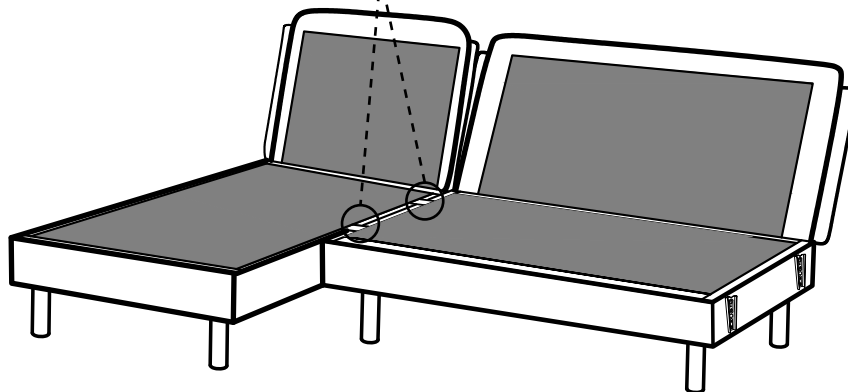
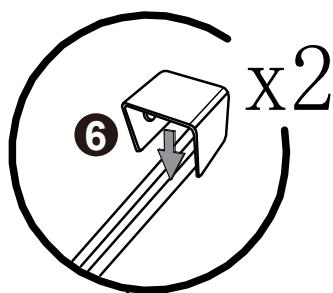
 M8 x 20		
2 x 16	5 x 4	7 x 1



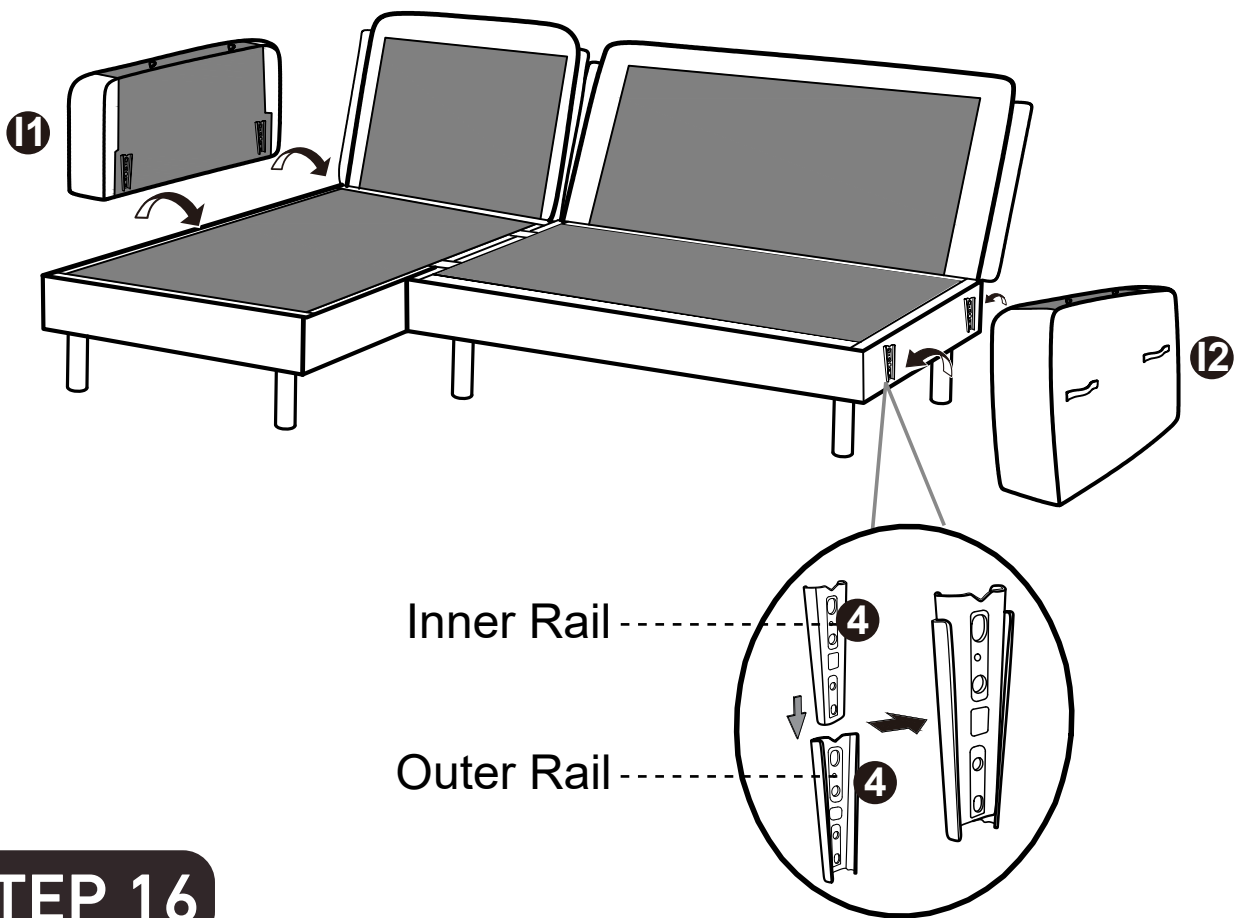
STEP 13



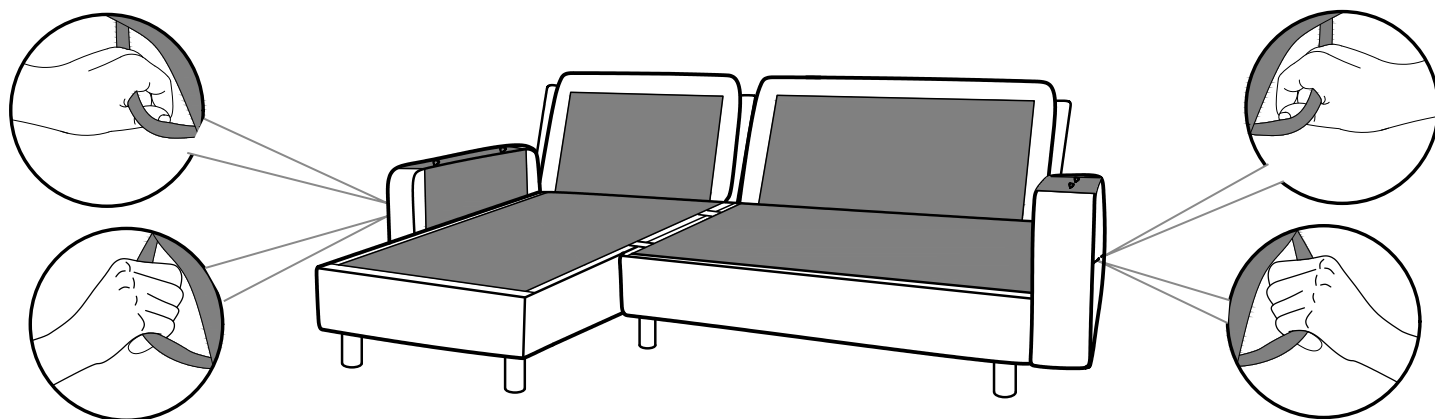
STEP 14



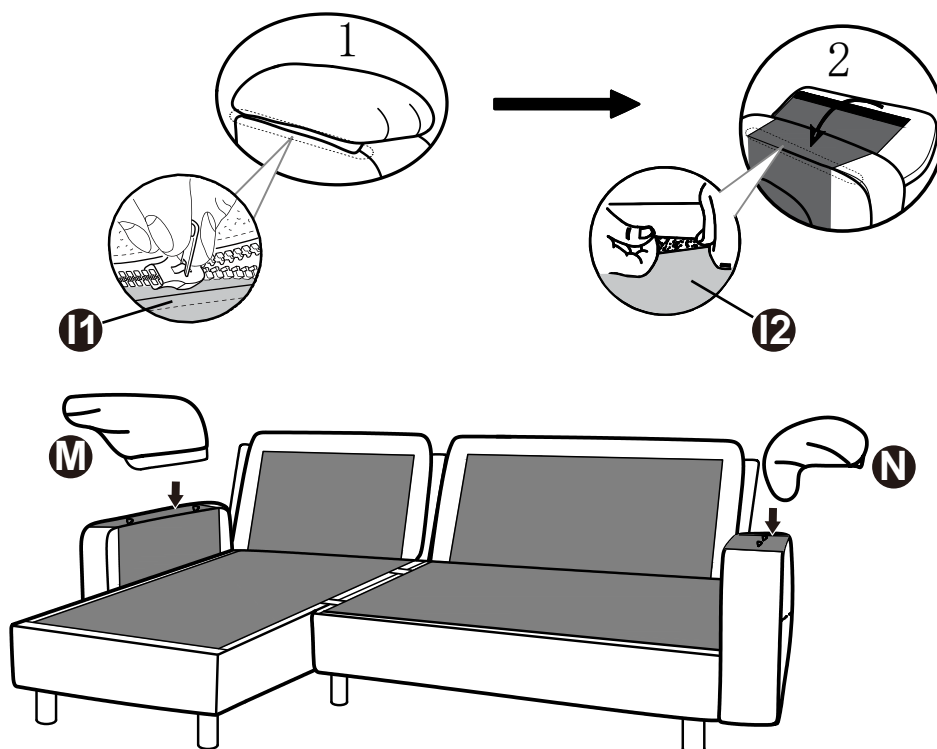
STEP 15



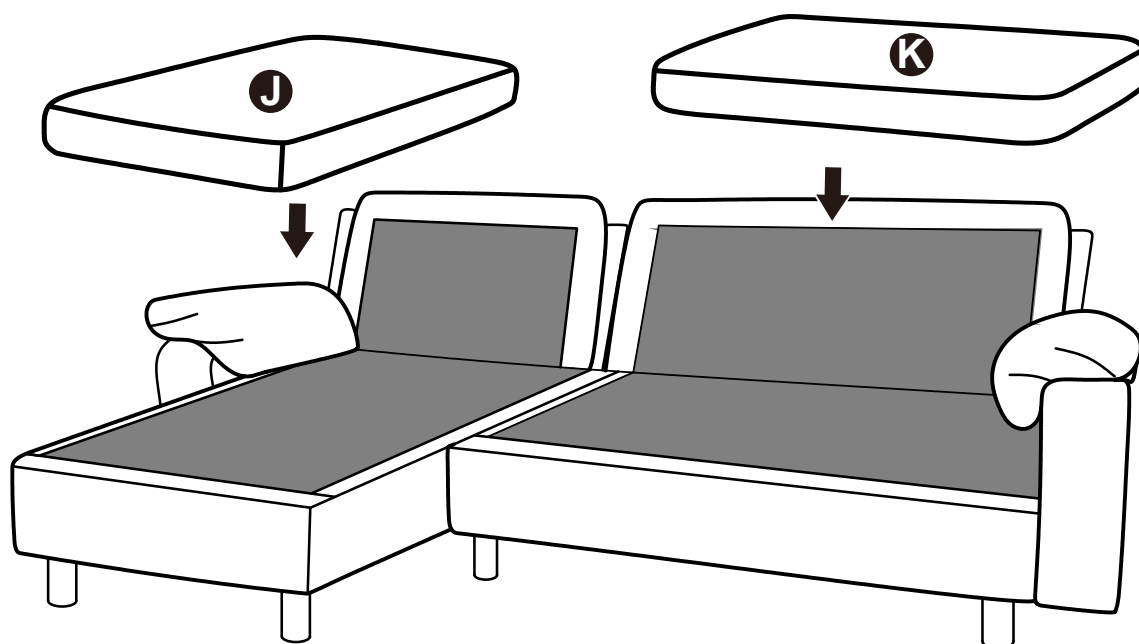
STEP 16



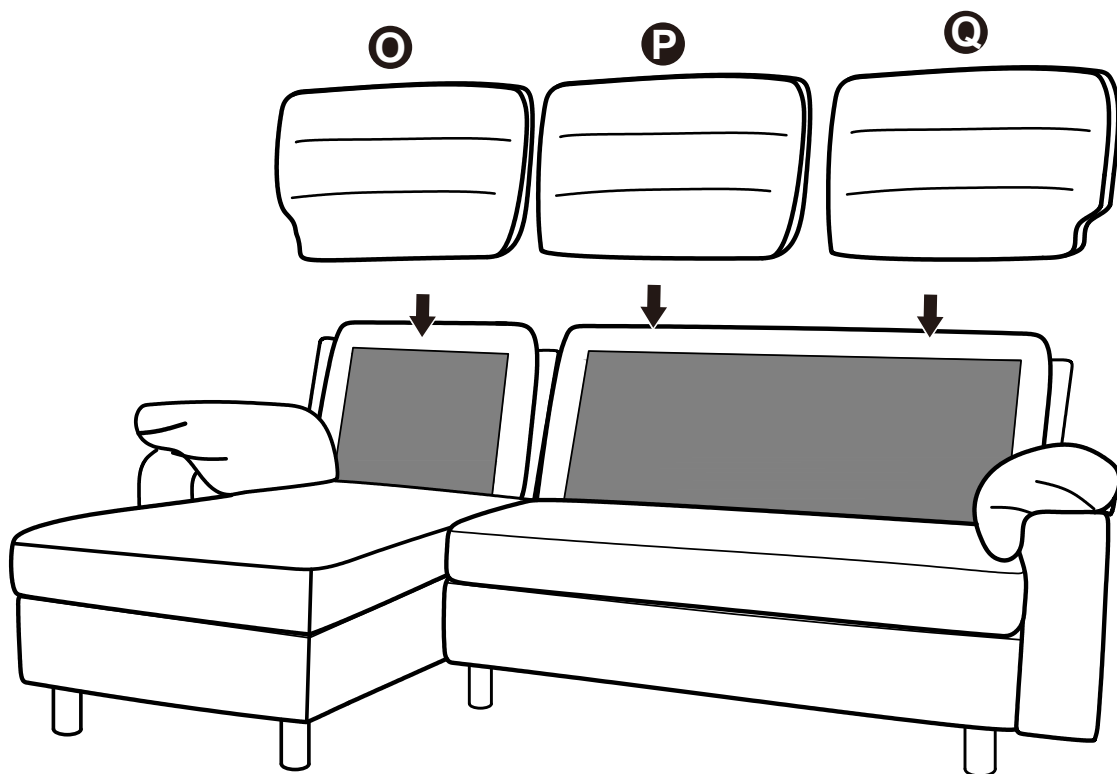
STEP 17



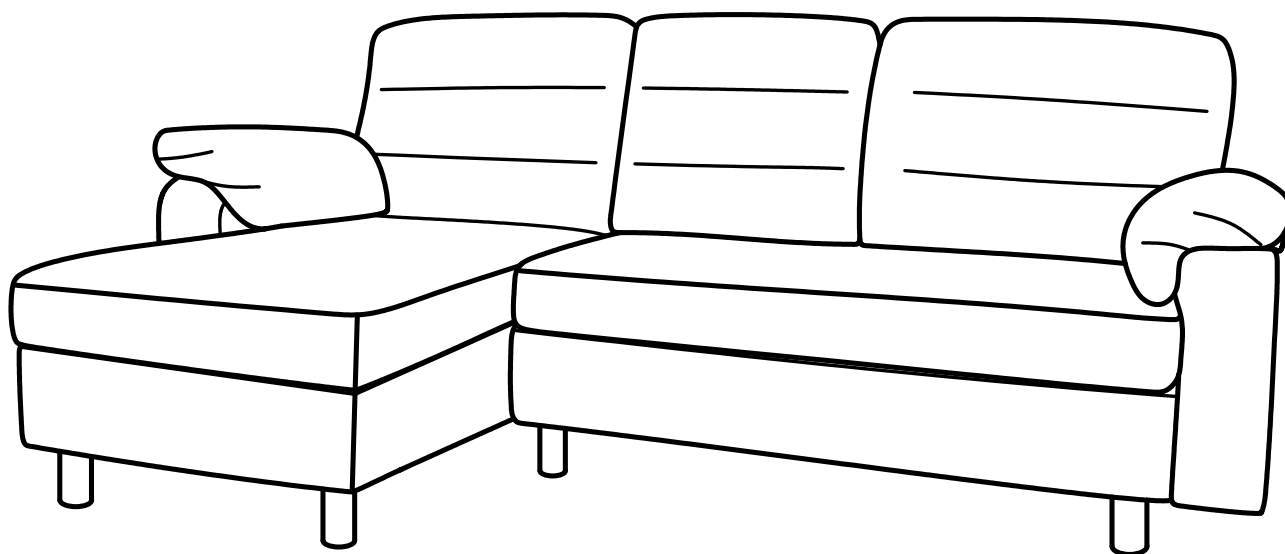
STEP 18



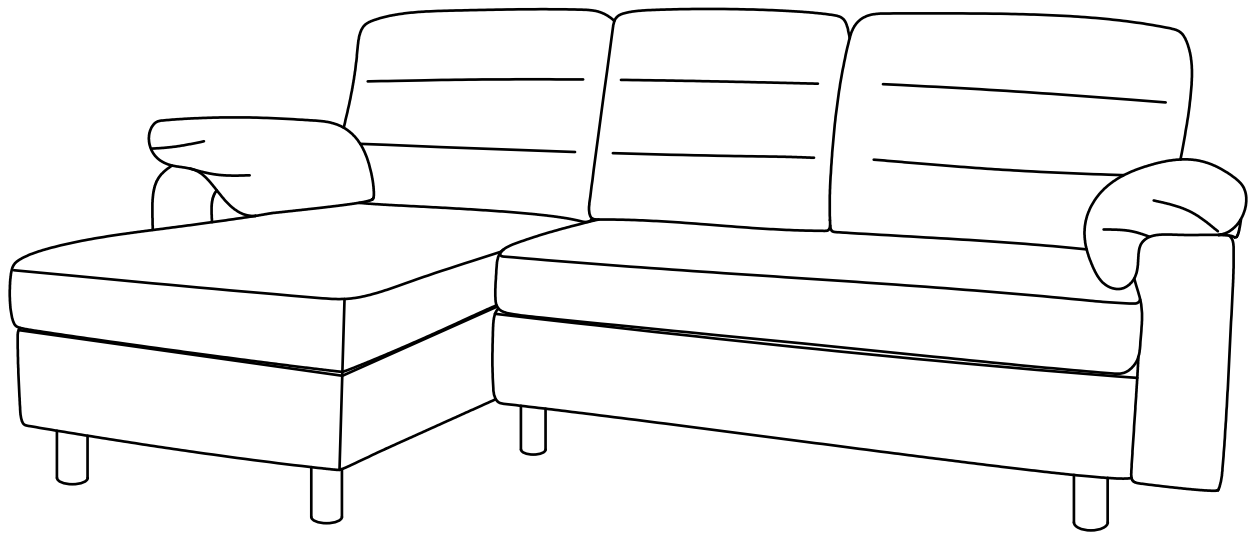
STEP 19



STEP 20



Note: After assembly, slight indentations may appear on the surface. Gently pat the area and let the product sit for 1–2 weeks. The surface will gradually return to its original condition.



Thank you for choosing this product. We strive to provide you with the best quality products and service in the industry. Should you have any issues, please don't hesitate to contact us.