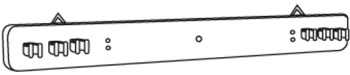
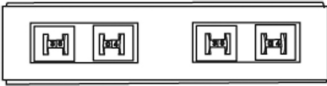
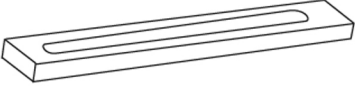

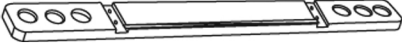

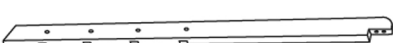
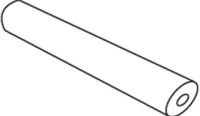
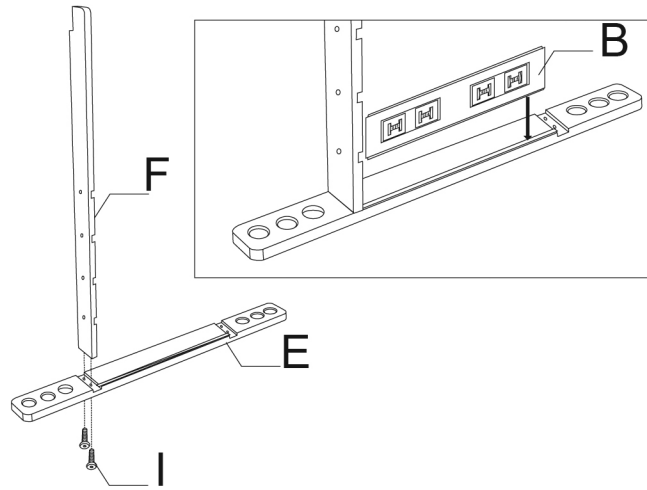


Step 1

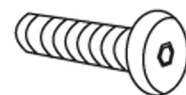
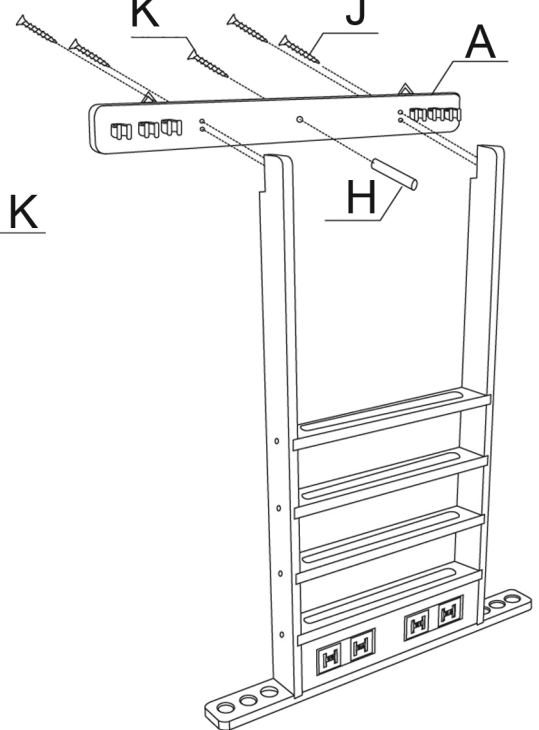
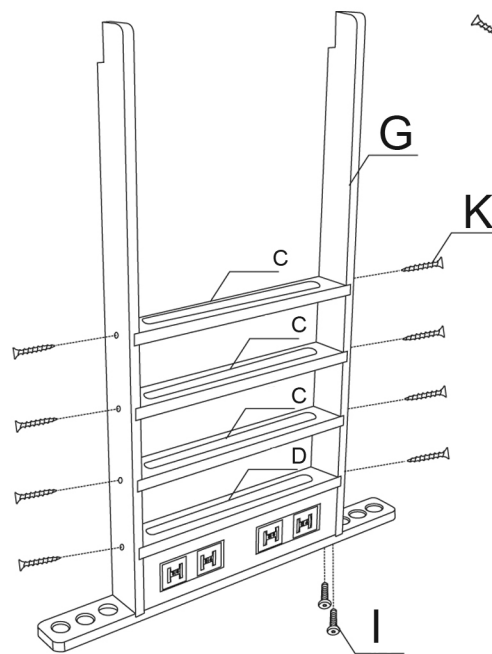
Step 2

-  **A** - Top Panel - 1 Piece
-  **B** - Scoring Panel - 1 Piece
-  **C** - Ball Holder Panel - 3 Pieces
-  **D** - Ball Holder Panel - 1 Piece
-  **E** - Bottom Panel - 1 Piece
-  **F** - Left Side Panel - 1 Piece
-  **G** - Right Side Panel - 1 Piece
-  **H** - 1 Piece



Step 3

Step 4



I - Bolt
4 Pieces



J - 12 Pieces



K - 1 Pieces