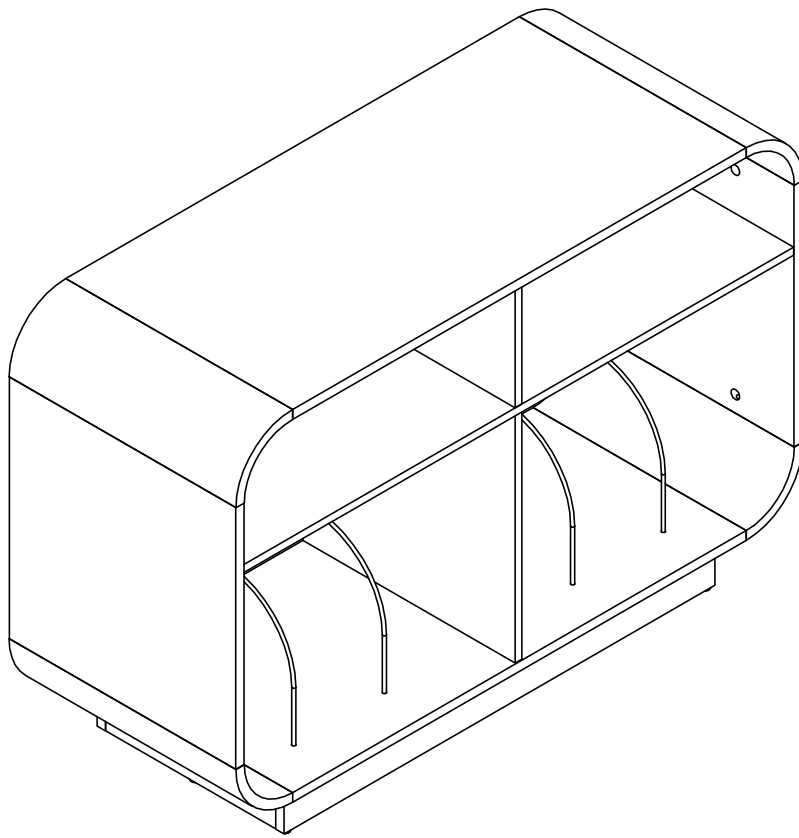


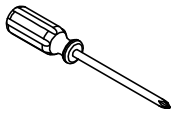
Installation Instruction



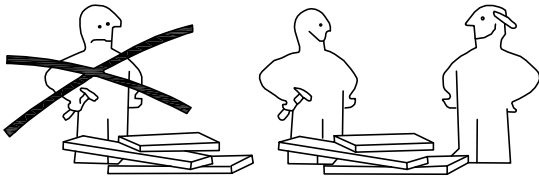
Assembling

What you need

- Use the packaging carton as a working surface to prevent product damage during assembly
- Phillips head screwdriver



Weight Limitation

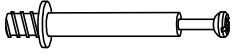


What' included

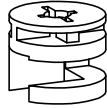
Code	Description	Qty
A	Cam Bolt M6X35MM	40
B	Cam Lock15X10MM	40
C	Wooden Dowel M8X30MM	36
D	Screw M4X40MM	6
E	Screw M3.5X14MM	2
F	Hole position sticker	40
G	The back button	16
H	Nylon Strap	2
I	Mats	6
J	Anchor	2
K	Screw M3.5X12MM	18
L	Extension cord	1

The Hardwares

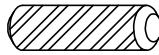
(A)



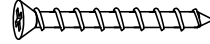
(B)



(C)



(D)



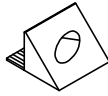
(E)



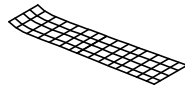
(F)



(G)



(H)



(I)



(J)



(K)



(L)



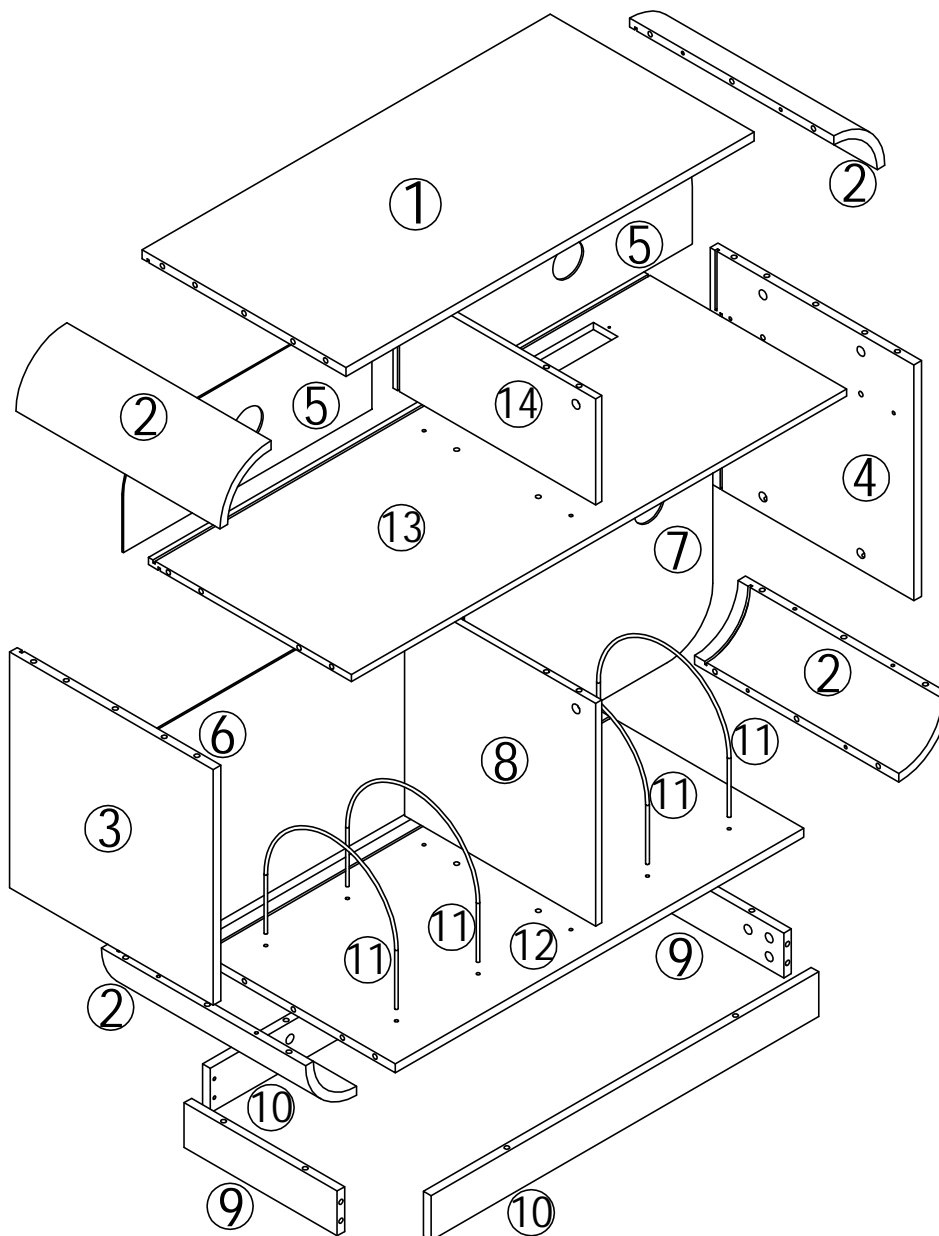
IMPORTANT:

1. Do not tighten bolts / screws completely until all bolts / screws are lined up and inserted into holes.
2. Do not over tighten screws and bolts to avoid stripping
3. Please use hand tools to assemble this product, you can also use power tools (please use power tools carefully)

Included Accessories

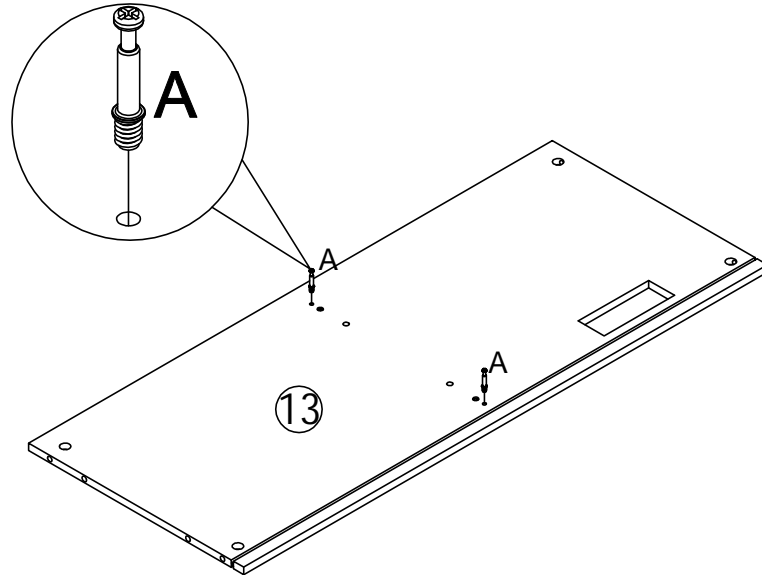
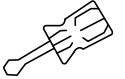
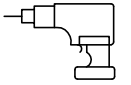
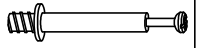
Code	Description	Qty
1	Cabinet Top	1
2	Curved Connecting Strip	4
3	Left Side Panel	1
4	Right Side Panel	1
5	Backboard	2
6	Backboard	1
7	Backboard	1
8	Middle Vertical Partition	1
9	Short standing board	2
10	Long standing board	2
11	Circular bar	4
12	Bottom plate	1
13	Laminate	1
14	Middle Vertical Partition	1

The Accessoriss



Step 1

A	×2
---	----

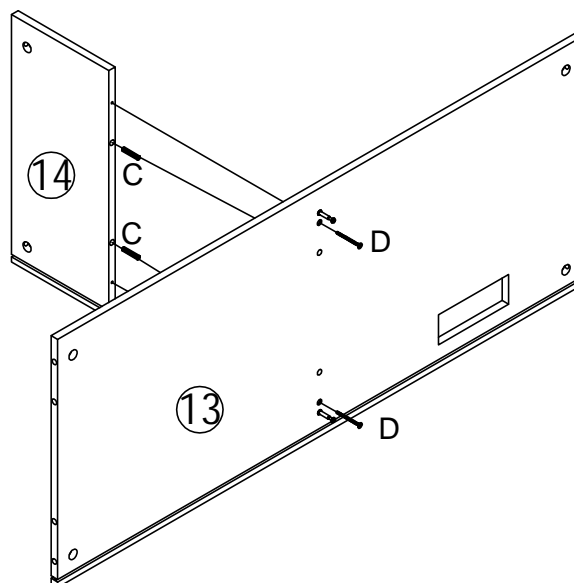
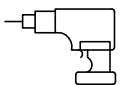
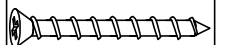


Step 2

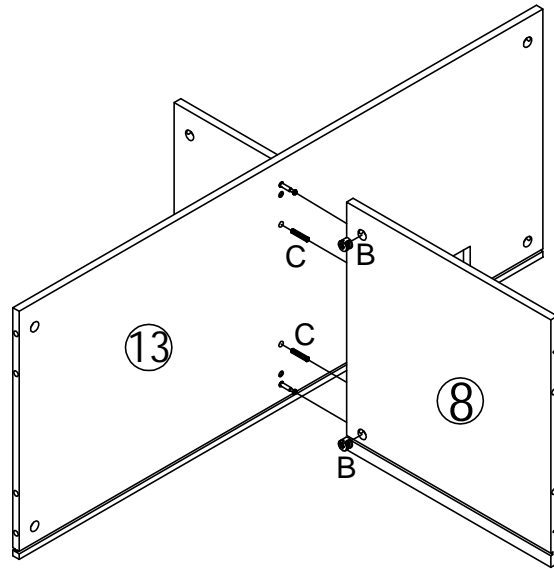
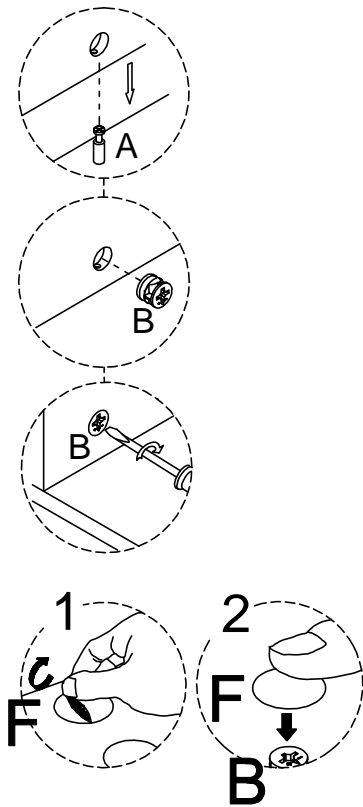
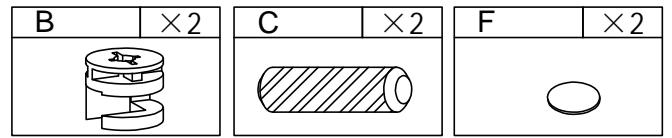
C	×2
---	----



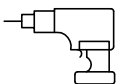
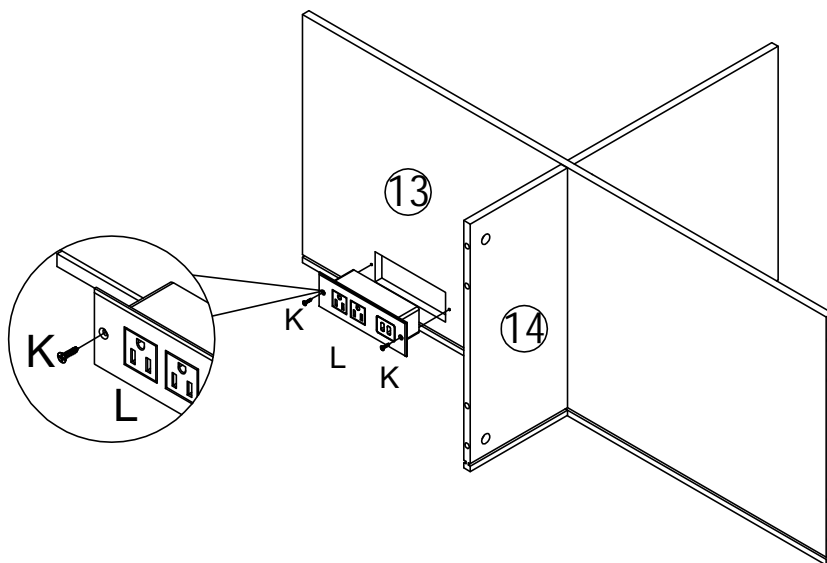
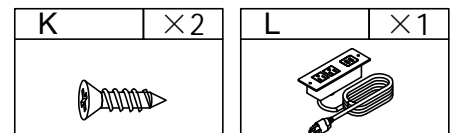
D	×2
---	----



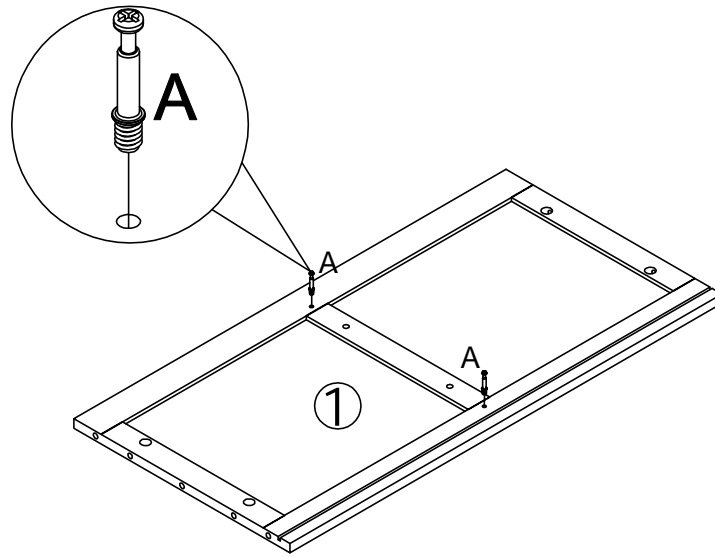
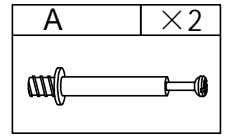
Step 3



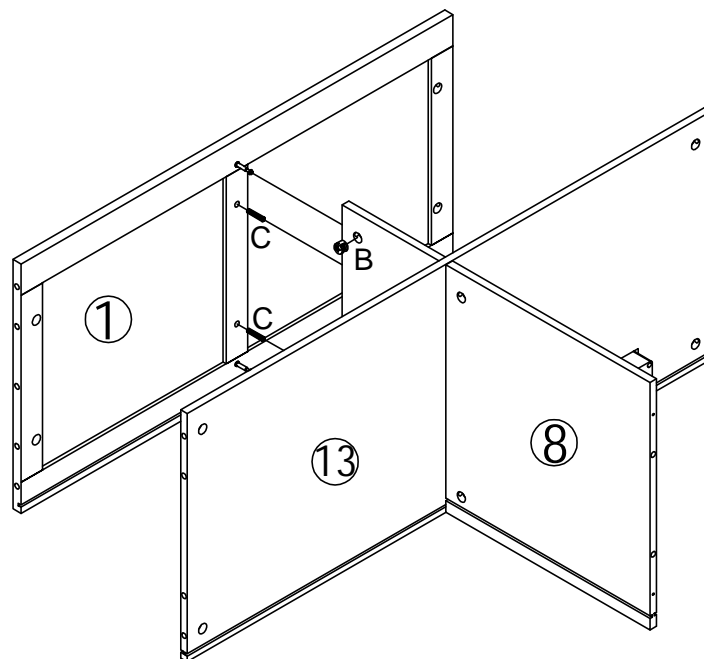
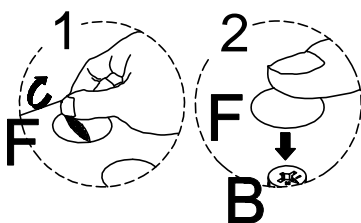
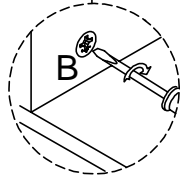
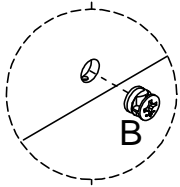
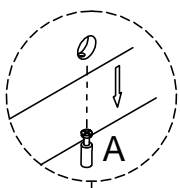
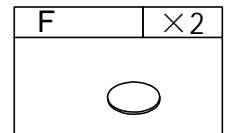
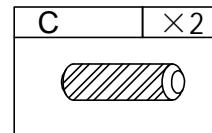
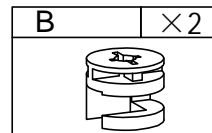
Step 4



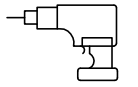
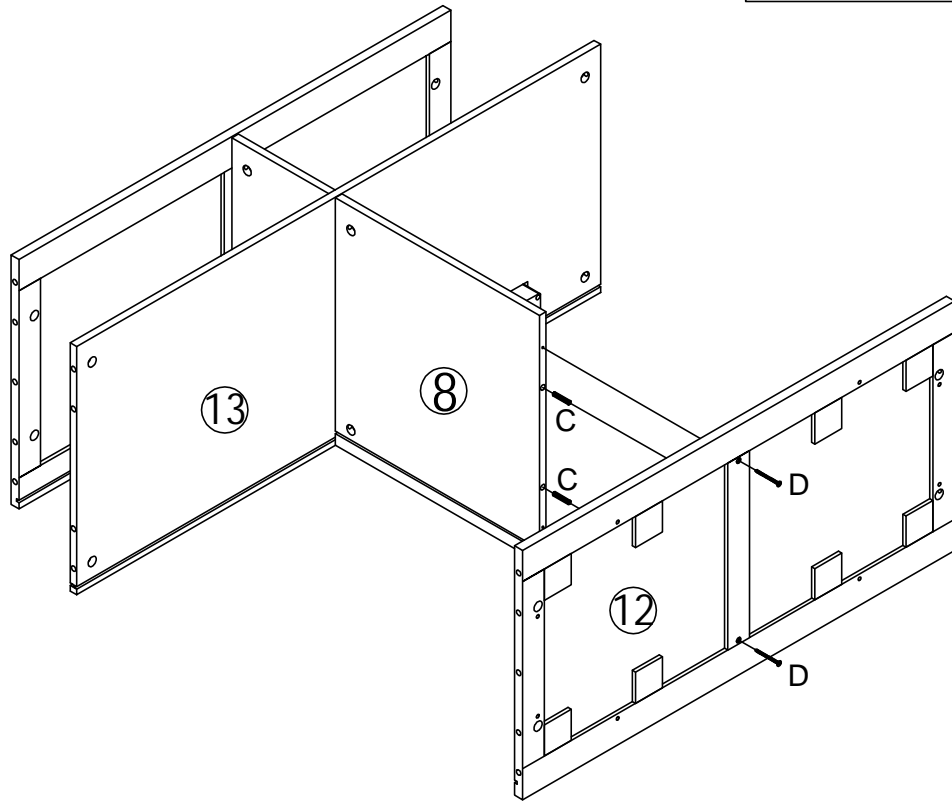
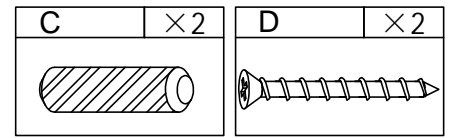
Step 5



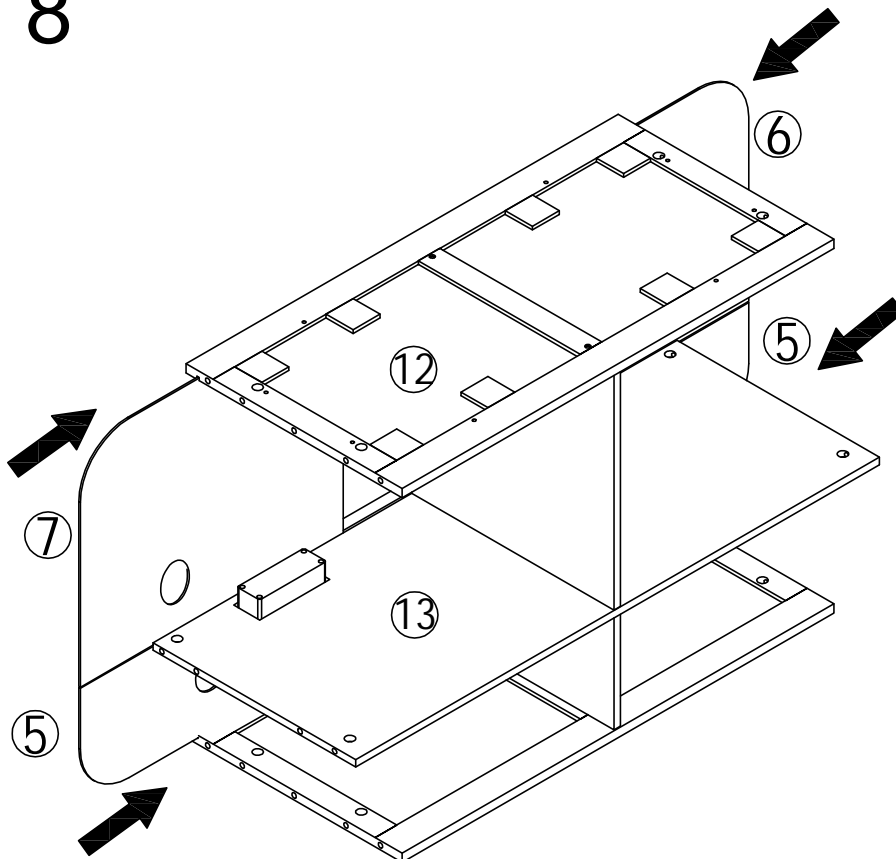
Step 6



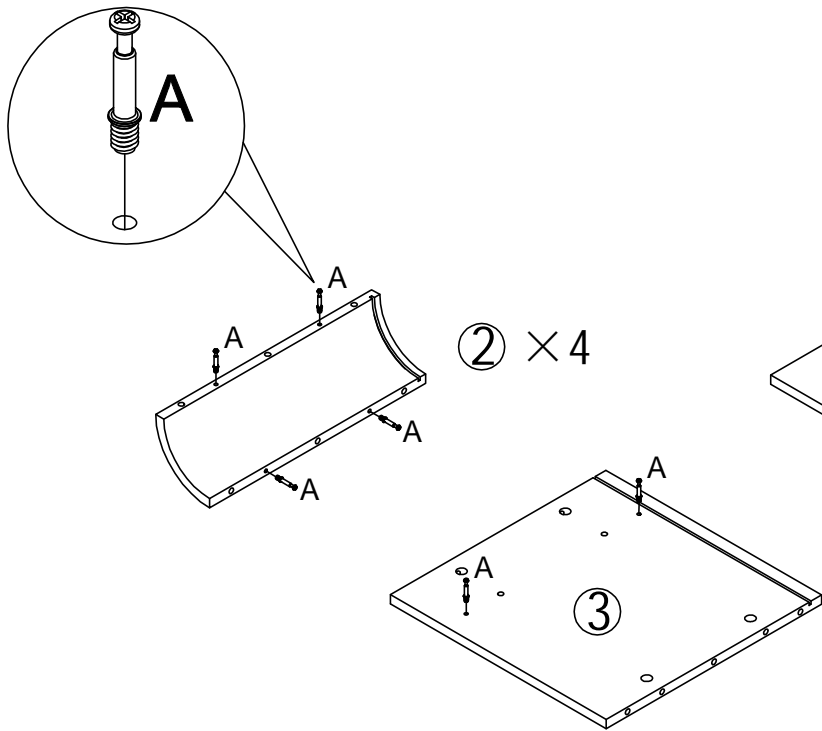
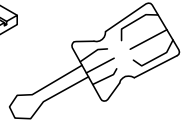
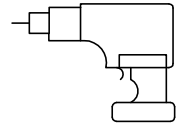
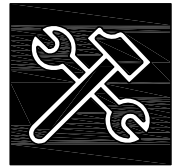
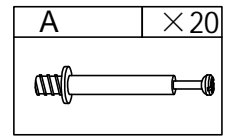
Step 7



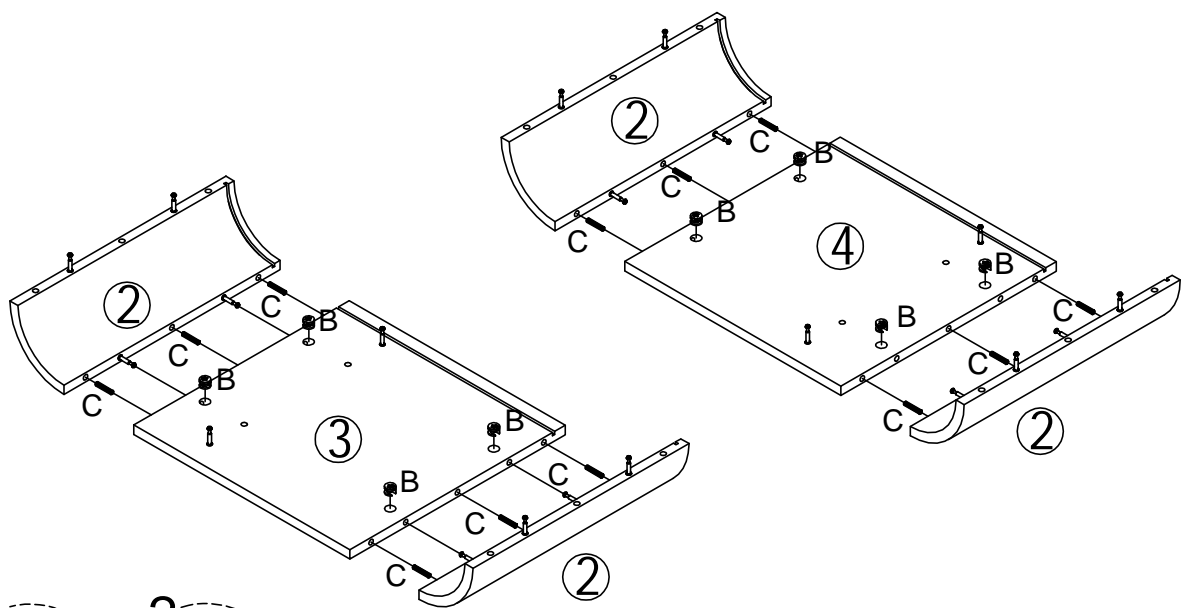
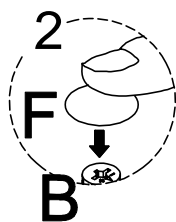
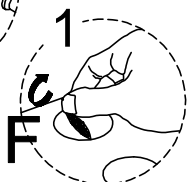
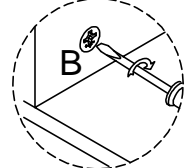
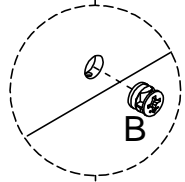
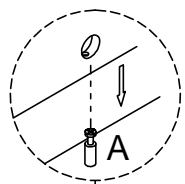
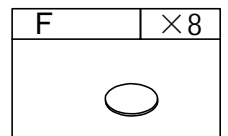
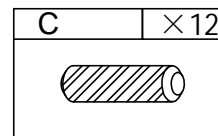
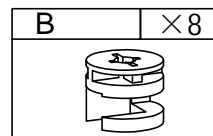
Step 8




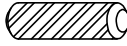

Step 9

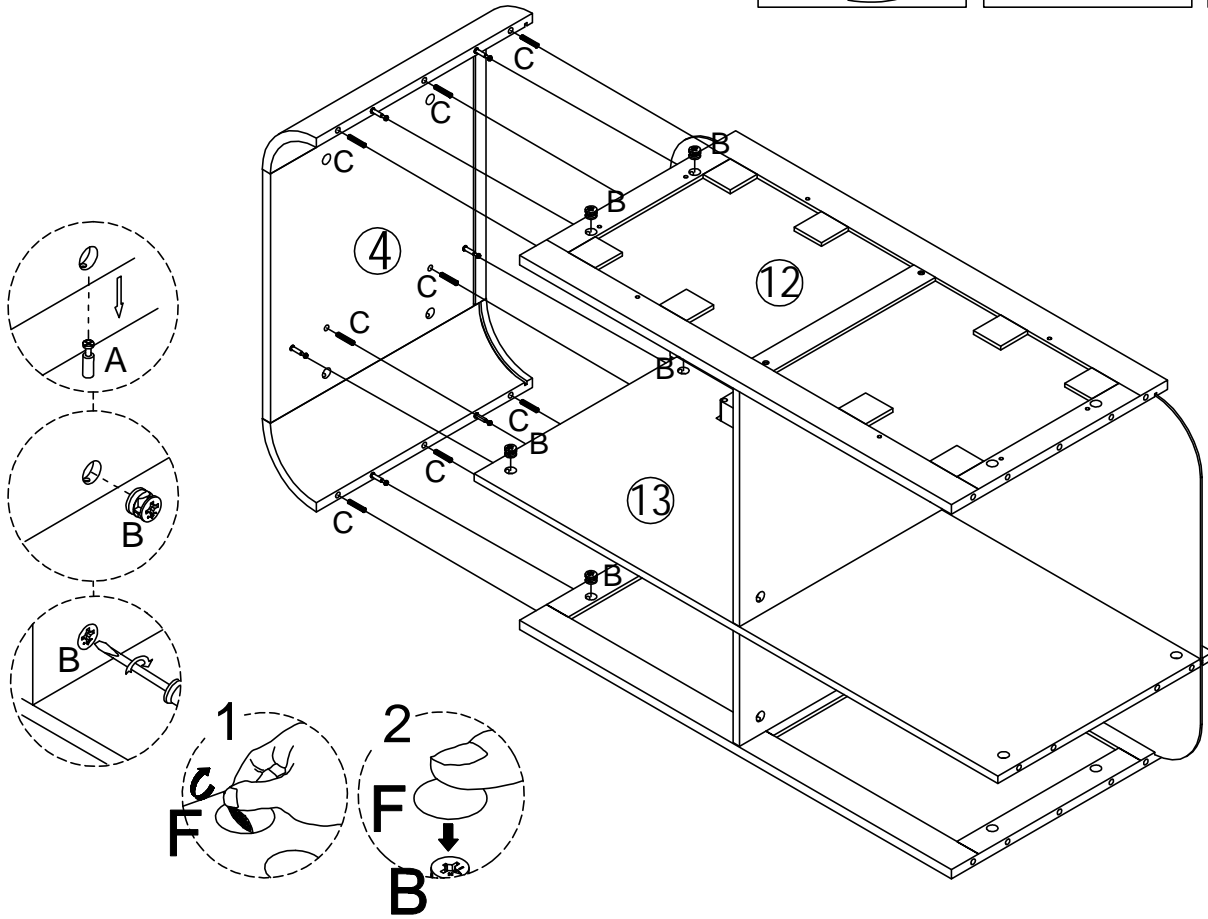


Step 10


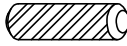



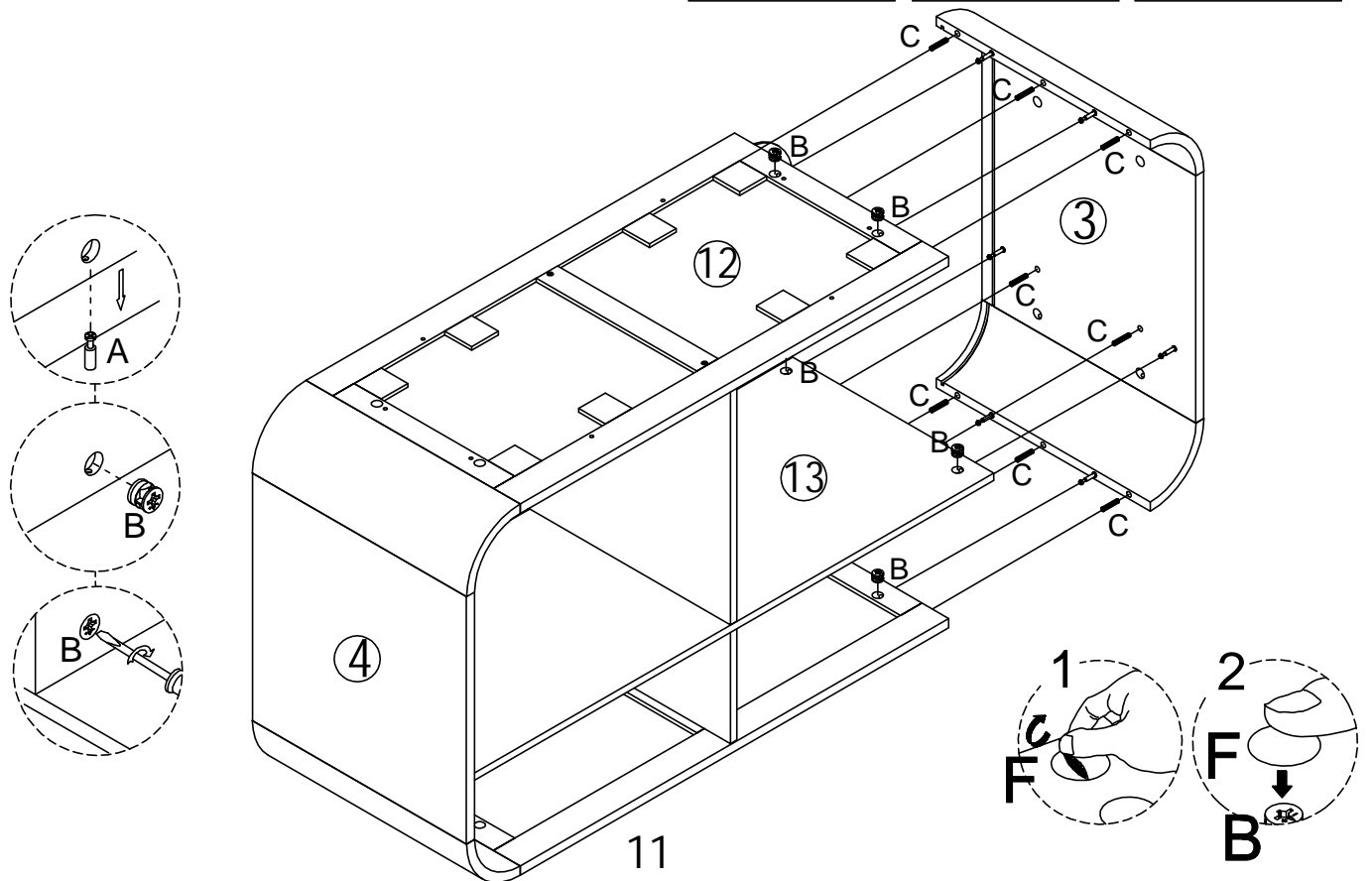
Step 11

B	×6	C	×8	F	×6
					

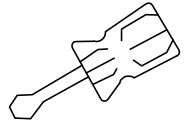
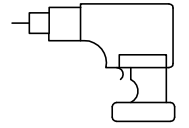
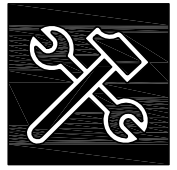
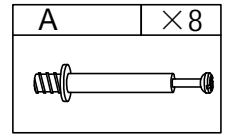
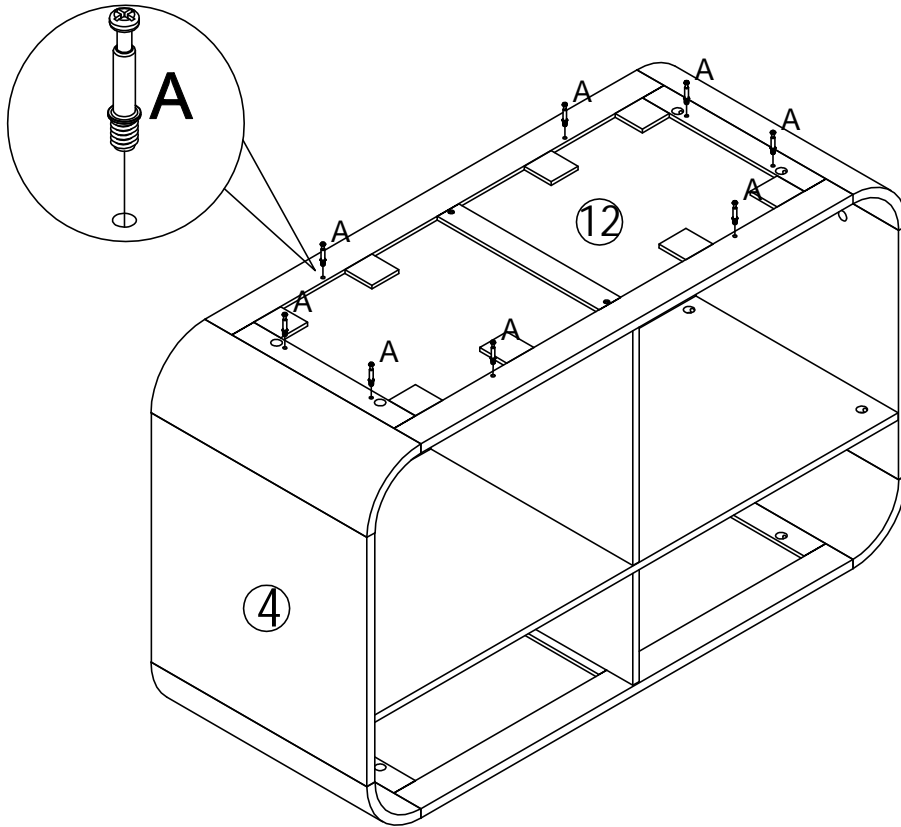


Step 12

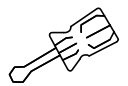
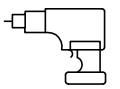
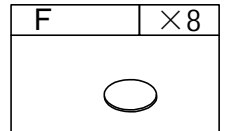
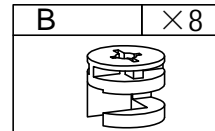
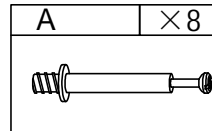
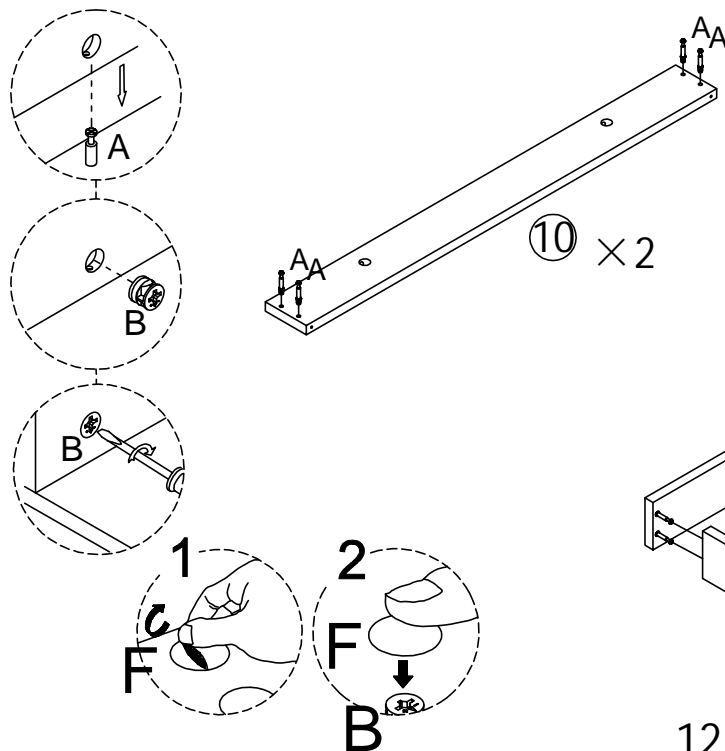
B	×6	C	×8	F	×6
					



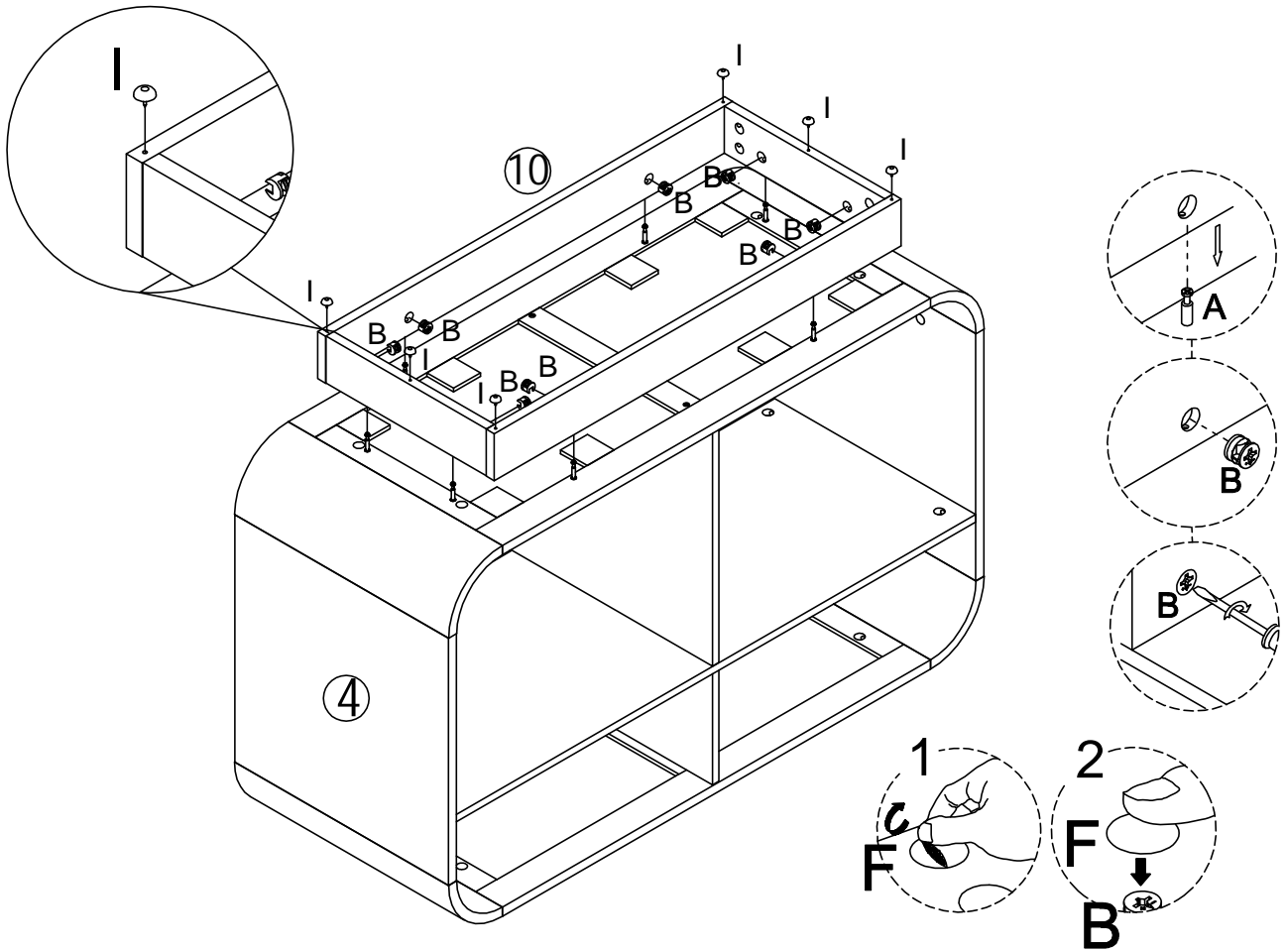
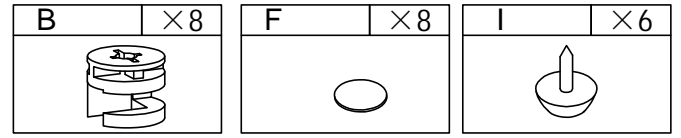
Step 13



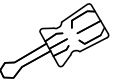
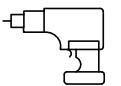
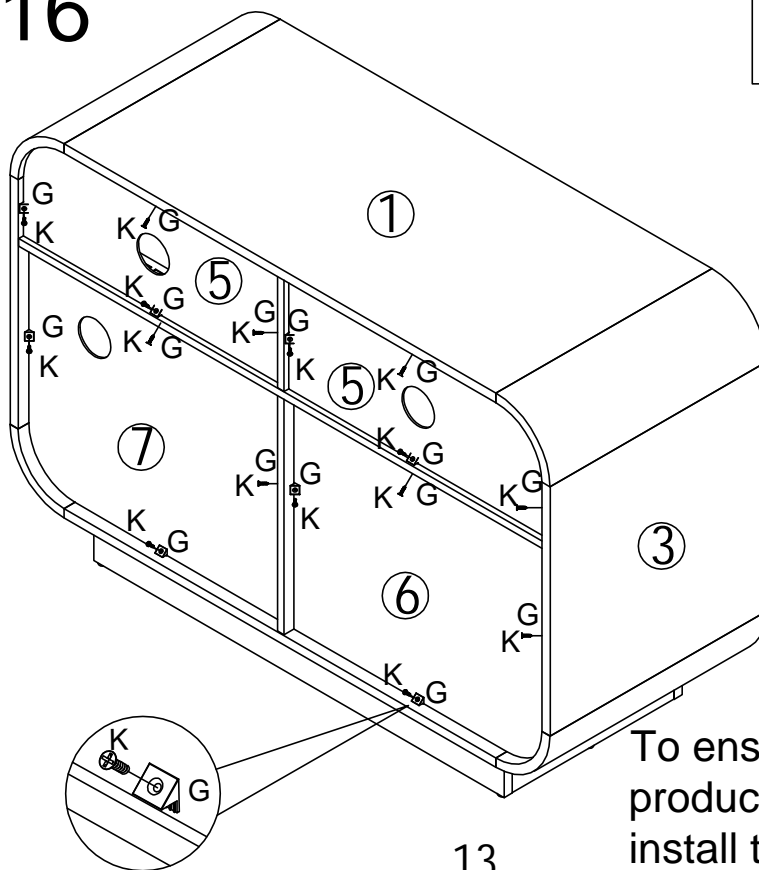
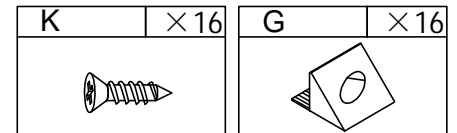
Step 14



Step 15

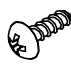
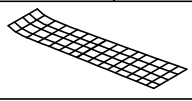


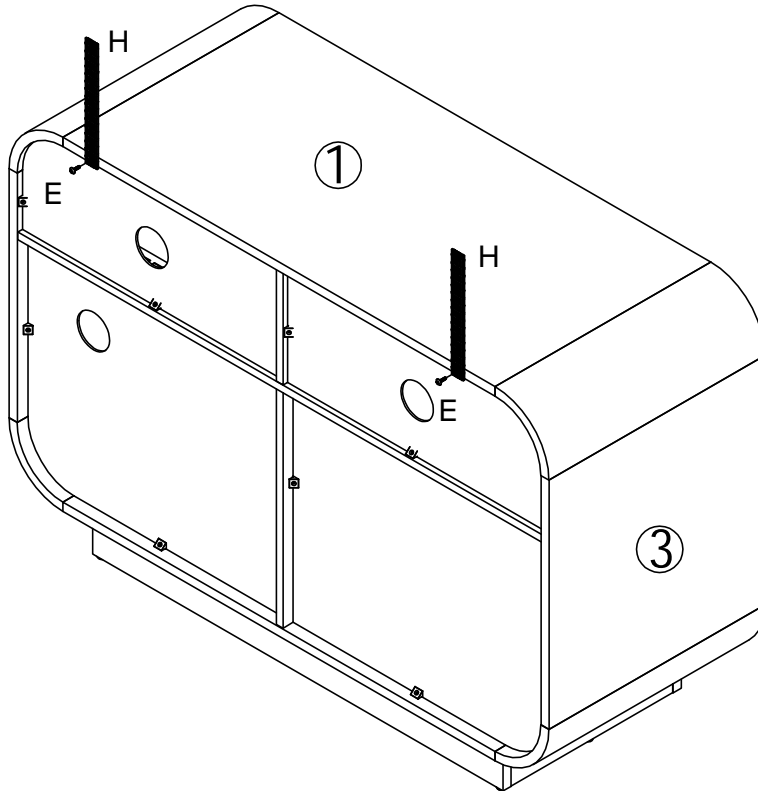
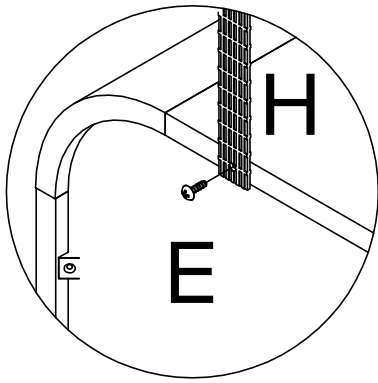
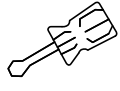
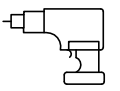
Step 16



To ensure the stability of the product, please make sure to install this accessory.

Step 17

E	×2	H	×2
			



Step 18

D	×2	J	×2
