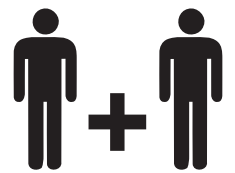




Needed for Assembly:



2 People

Storage Cabinets

User Manual

INTRODUCTION

Thank you for choosing the Storage cabinets . Please read this user manual carefully and keep it for future reference. If you need any assistance, please contact us by email with your order number and details.

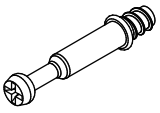

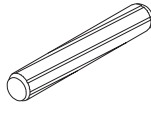

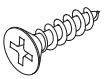
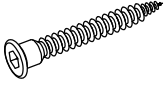

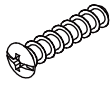
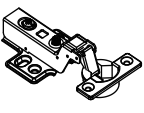

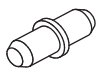
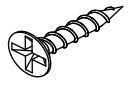
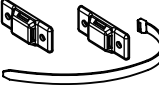

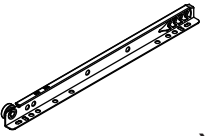
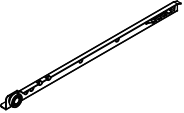
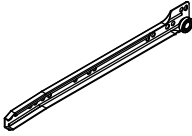
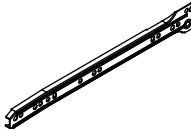
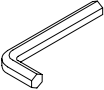
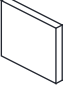
PACKAGE CONTENTS

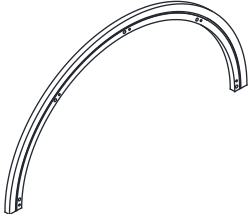
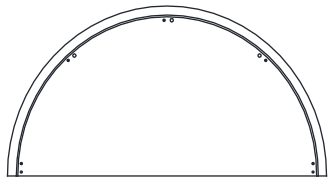
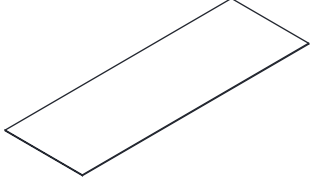
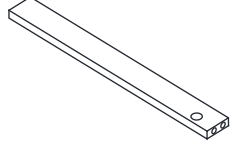
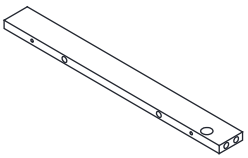
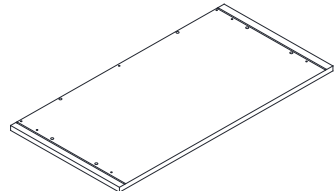
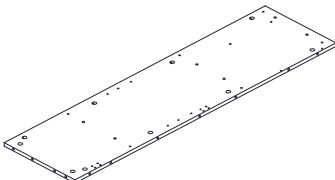
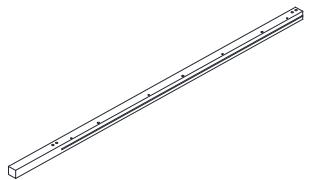
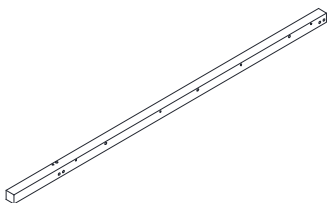
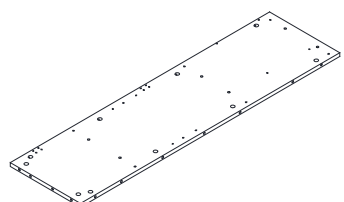
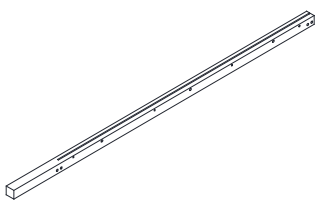
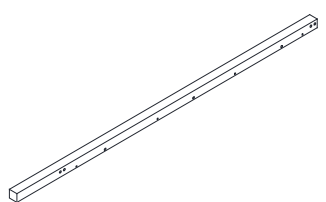
- 1 x Storage Cabinet
- 1 x Pack of Accessories
- 1 x User Manual

PRODUCT CARE

- Please follow the instruction to assemble this item correctly.
- Don't make the screws be too loose or too tight.
- Please put the screws into the holes' position just as shown in the arrows of the image, and then clockwise rotate 90° or 180°
- More product parts, it is recommended that two people install
- The fittings pack contains small accessories that should be kept away from small children.

HARDWARE SUPPLIED

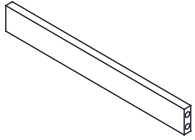
A M6 x 35 mm  x51	B $\phi 15$ x 9.5 mm  x51	C M5.8*30mm  x63	D M4*30mm  x15	E M3.5*12mm  x16
F M5*45mm  x7	G  x6	H $\phi 4$ x 20 mm  x6	I $\phi 26$ mm  x4	J  x12
K $\phi 5$ x 17 mm  x4	L $\phi 4$ x 12 mm  x24	M  x2	N  x4	DR 300 mm  x2
DL 300 mm  x2	CR 300 mm  x2	CL 300 mm  x2	O  x1	P  x4

Unit: (mm)			
PARTS LIST			
① 783*40  x1	② 783*392  x1	③ 1110*379  x1	④ 370*40  x3
⑤ 370*40  x2	⑥ 785*400  x1	⑦ 1198*326  x1	⑧ 1393*35  x1
⑨ 1393*35  x1	⑩ 1198*326  x1	⑪ 1393*35  x1	⑫ 1393*35  x1

Unit: (mm)

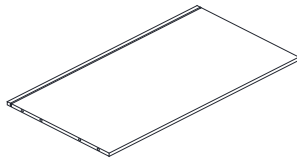
PARTS LIST

⑬ 326*45



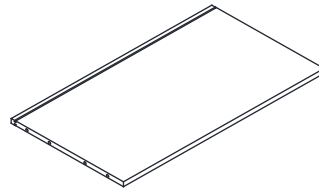
x4

⑭ 710*381



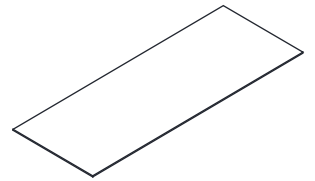
x1

⑮ 710*397



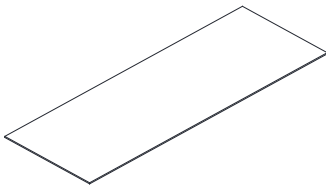
x1

⑯ 720*257



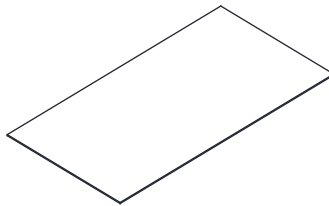
x1

⑰ 720*257



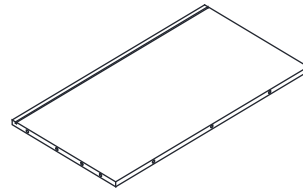
x2

⑱ 720*379



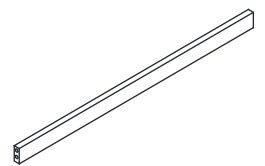
x1

⑲ 711*381



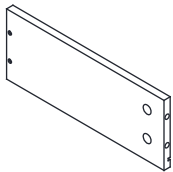
x1

⑳ 711*40



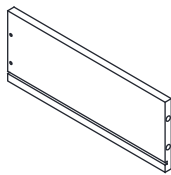
x1

㉑ 300*115



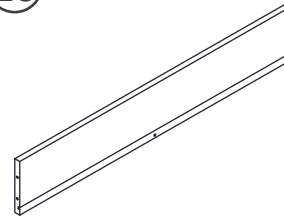
x2

㉒ 300*115



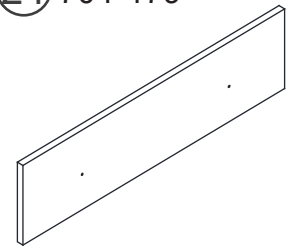
x2

㉓ 662*115



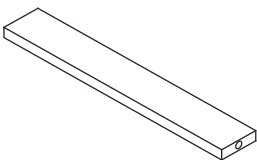
x2

㉔ 704*179



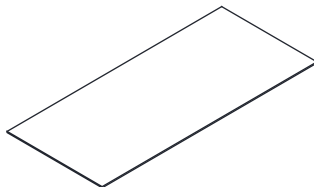
x2

㉕ 284*45



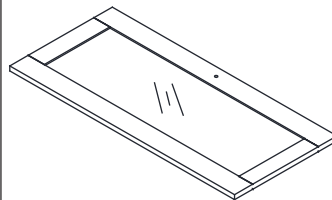
x2

㉖ 670*295



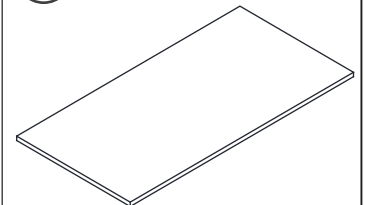
x2

㉗ 765*351



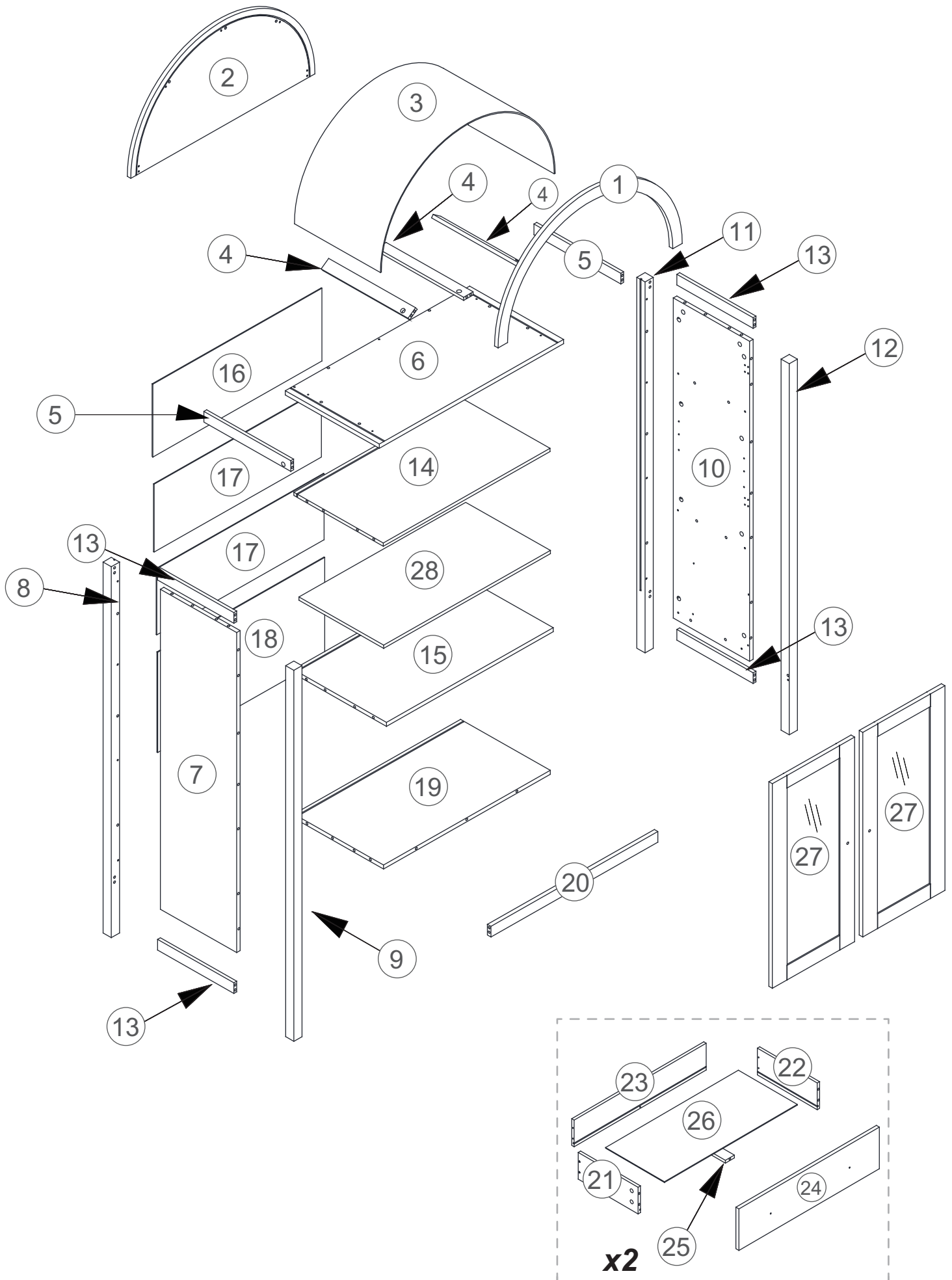
x2

㉘ 708*360



x1

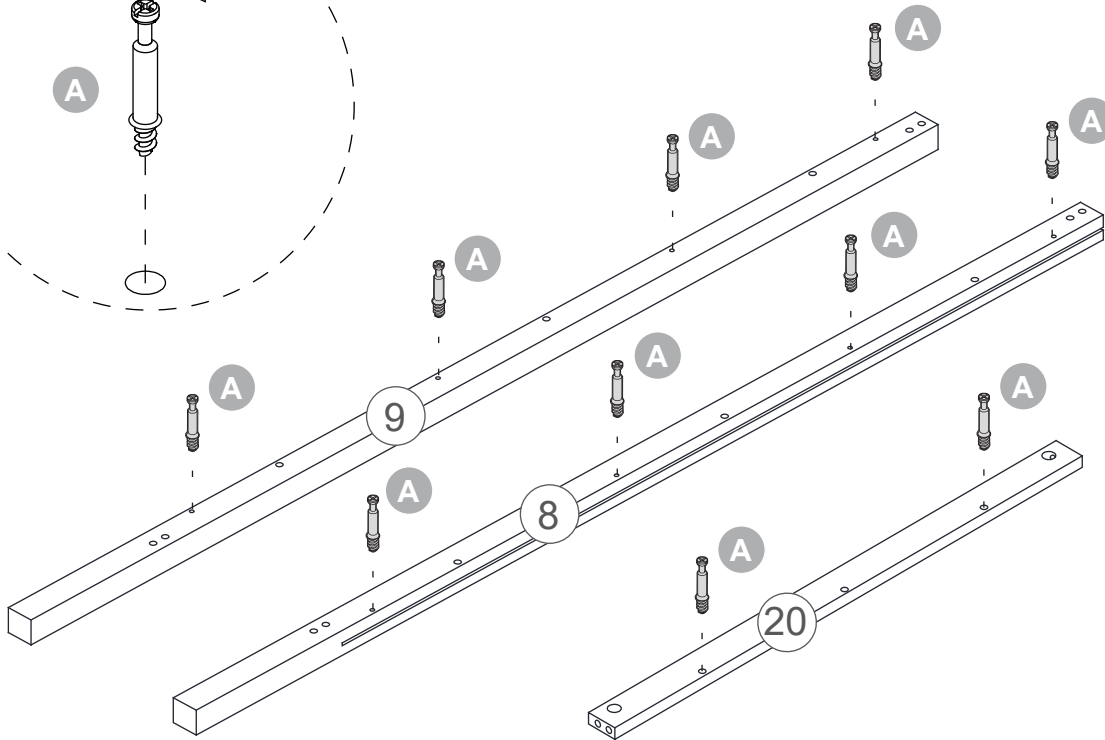
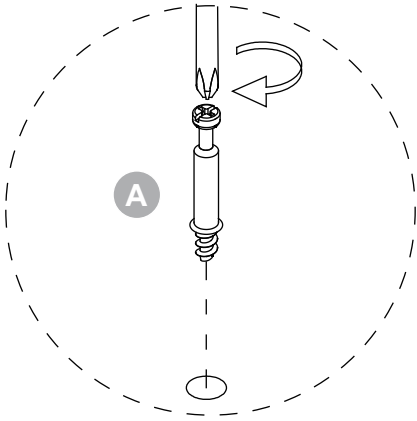
PANEL LAYOUT



1

YOU WILL NEED

A x10

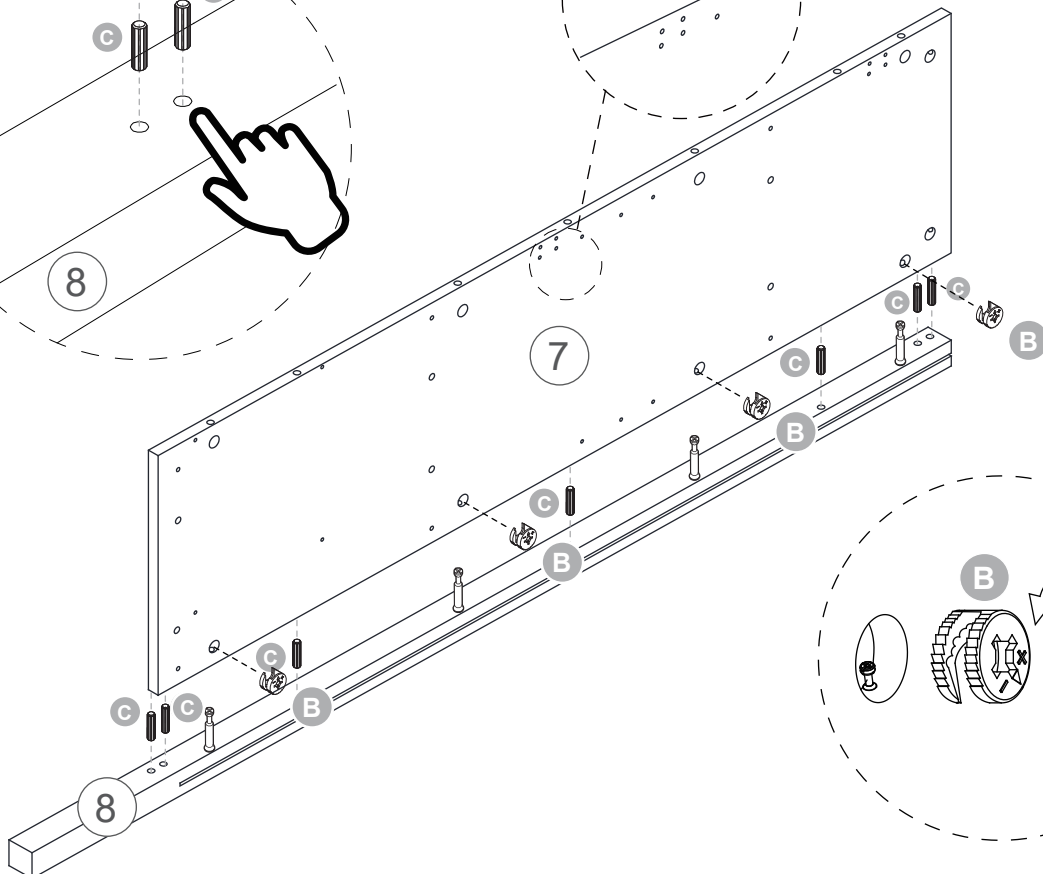
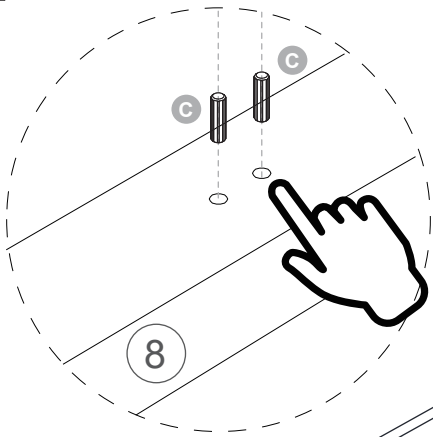


2

YOU WILL NEED

B x4

C x7



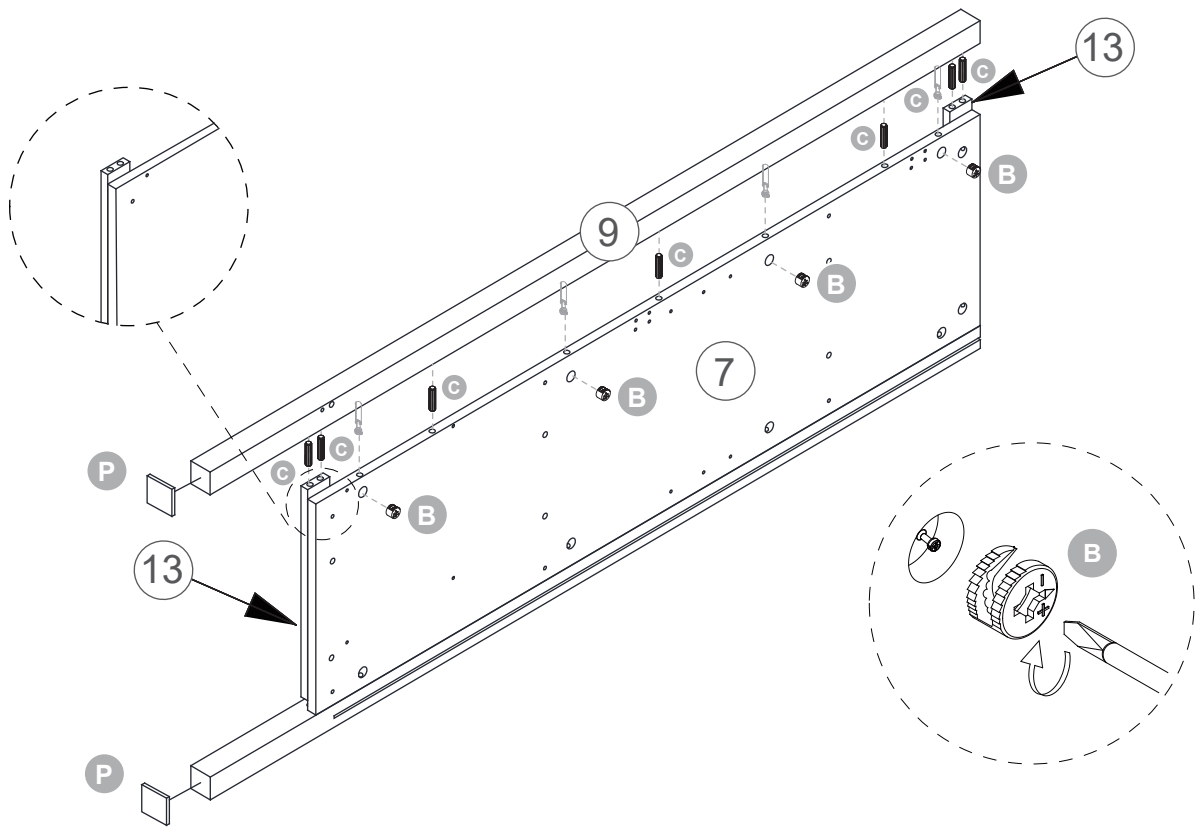
3

YOU WILL NEED

P x2

B x4

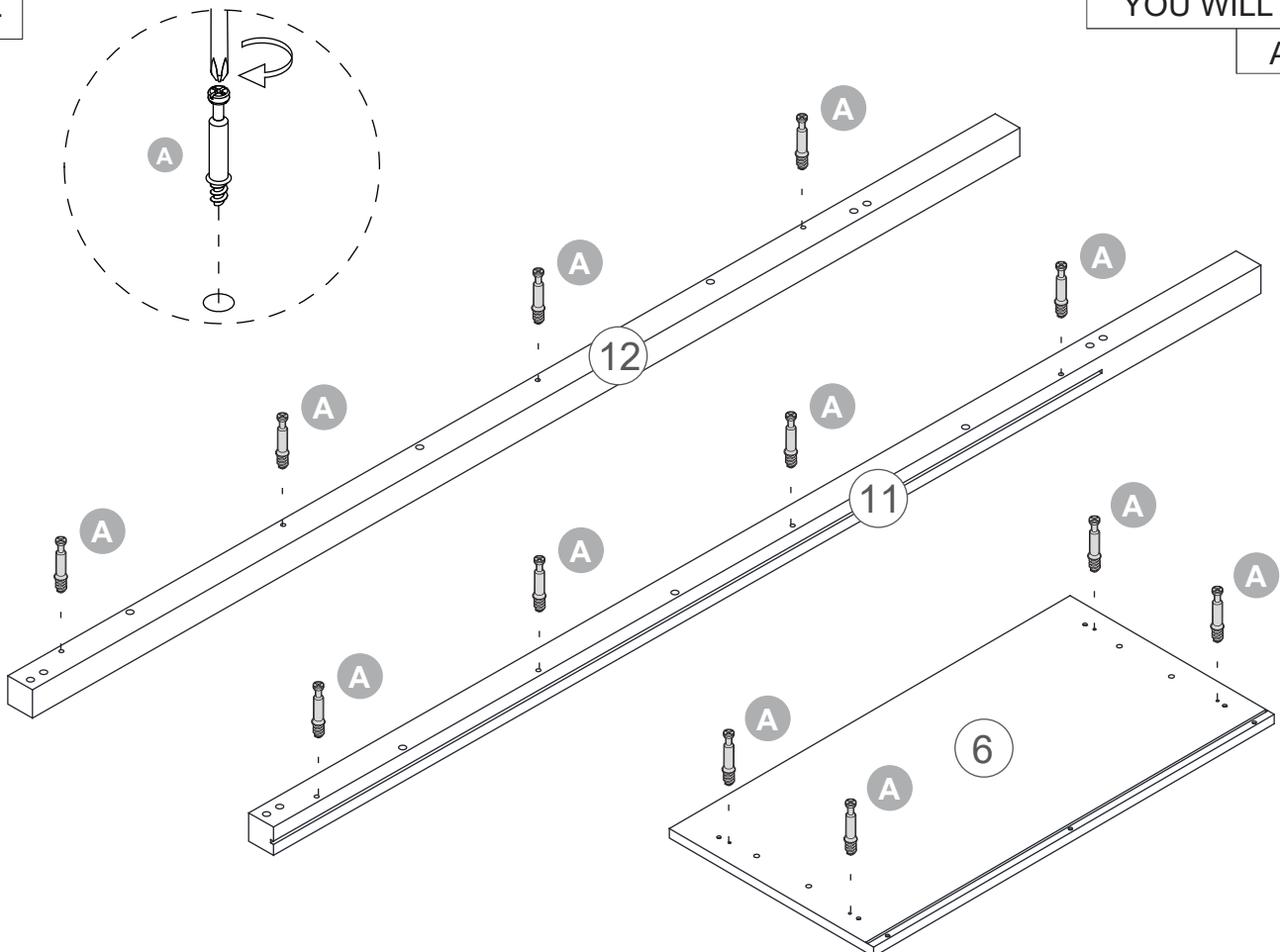
C x7



4

YOU WILL NEED

Ax12

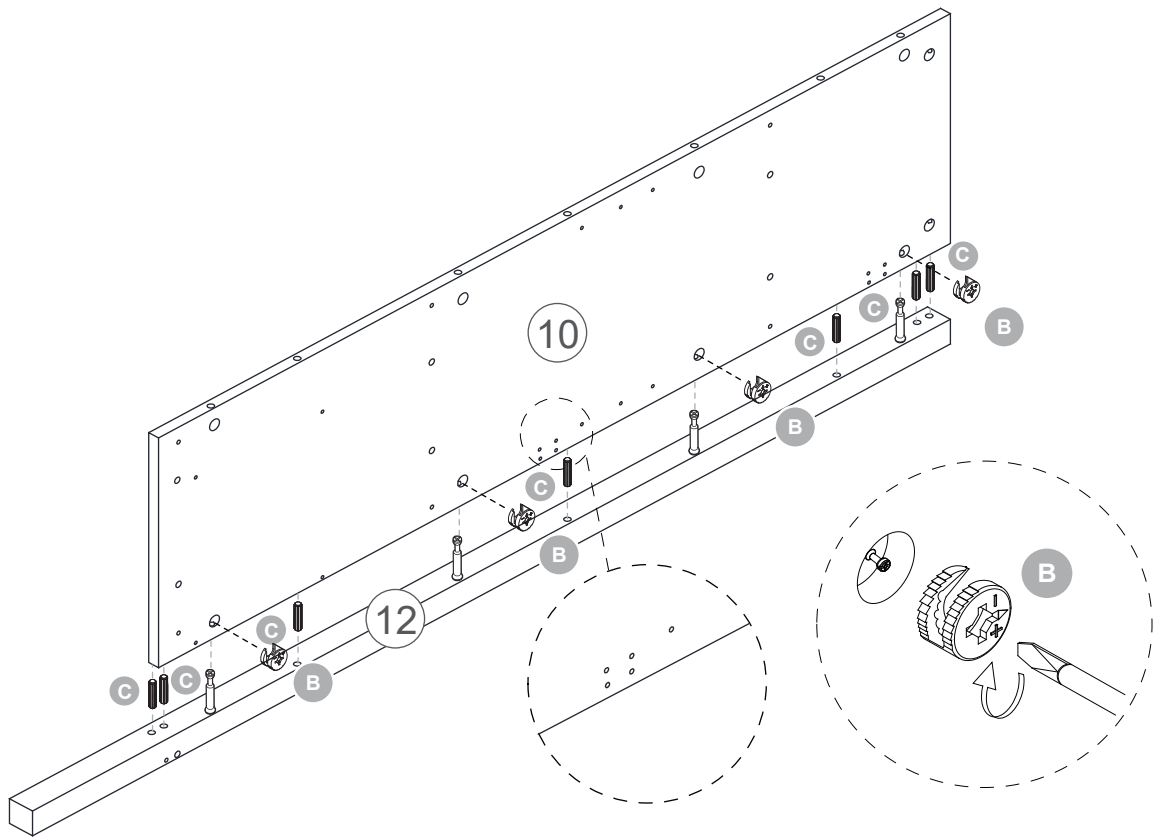


5

YOU WILL NEED

B x4

C x7



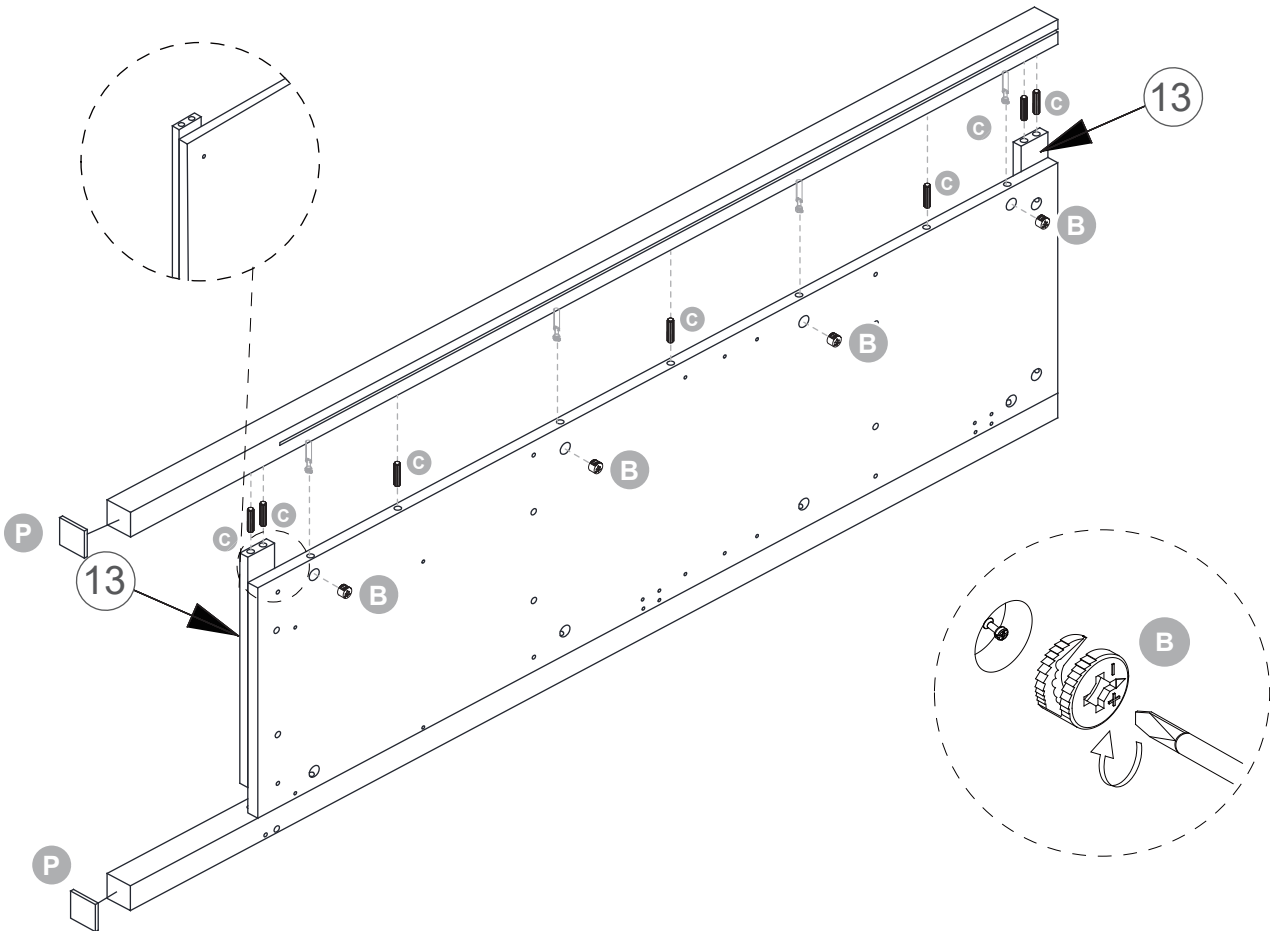
6

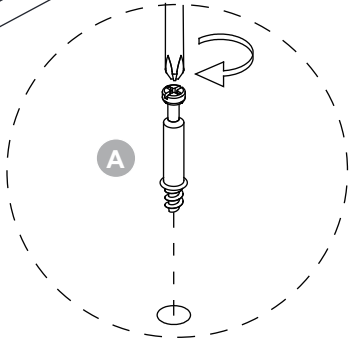
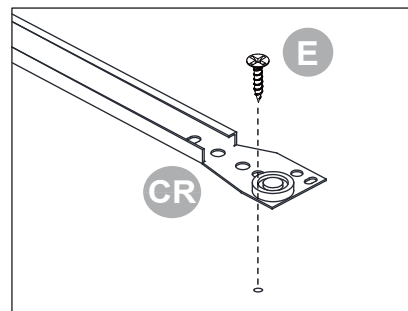
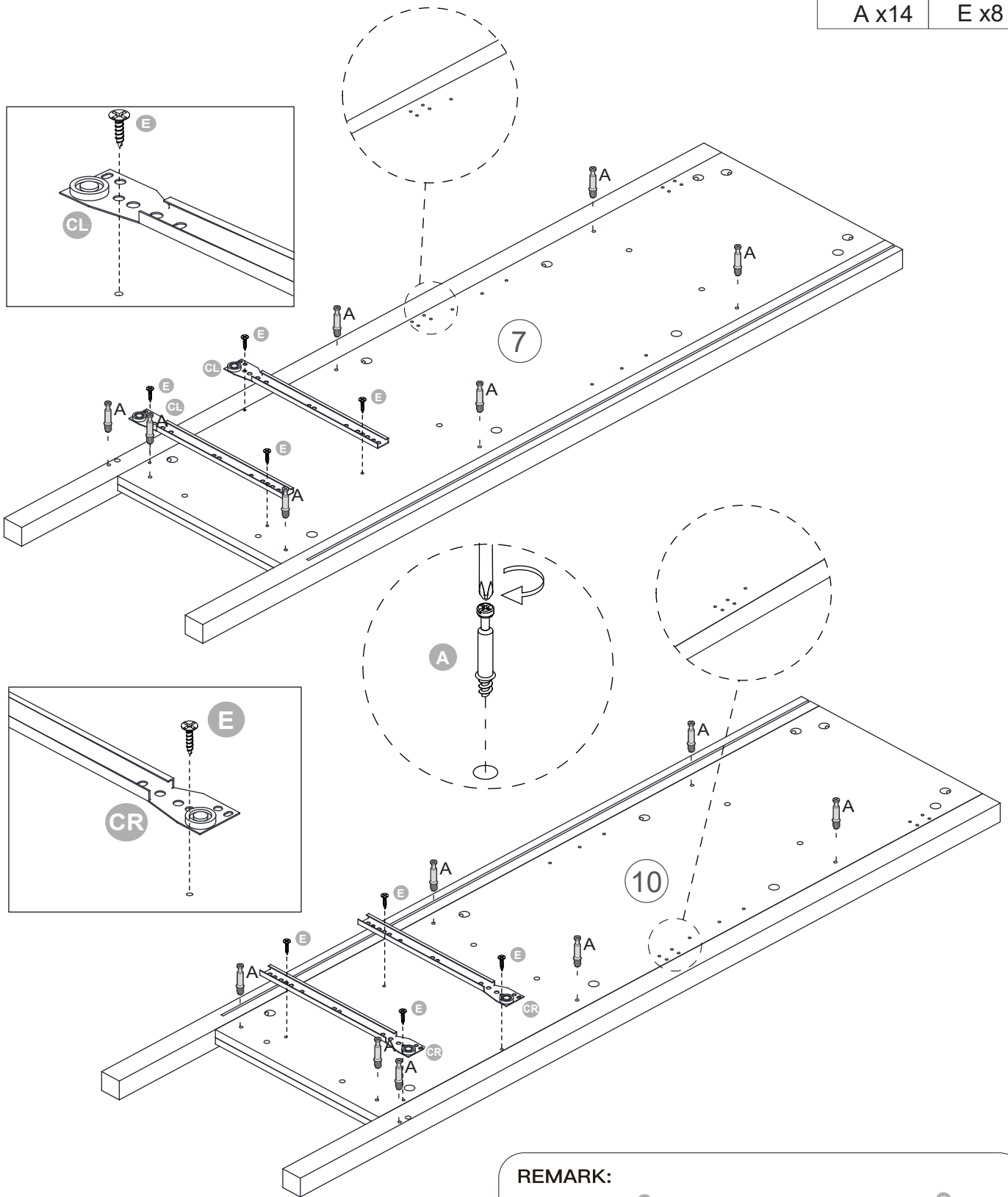
YOU WILL NEED

Px2

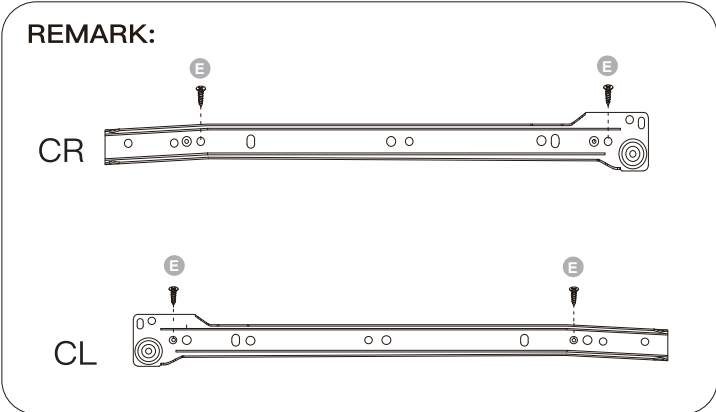
Bx4

C x7





10

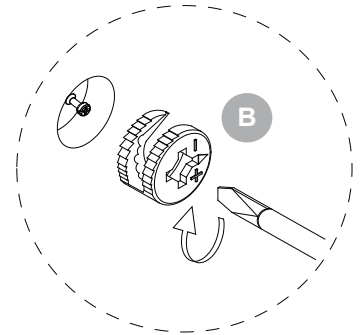
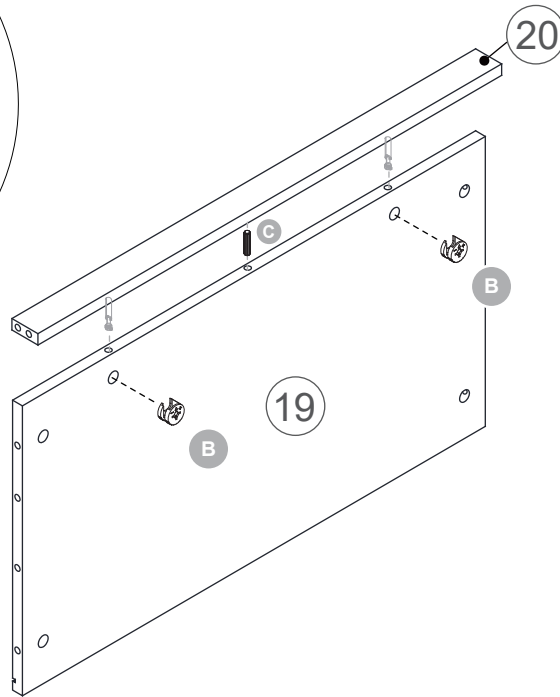
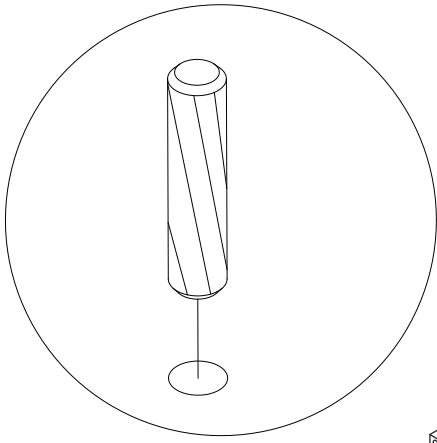


8

YOU WILL NEED

B x2

C x1

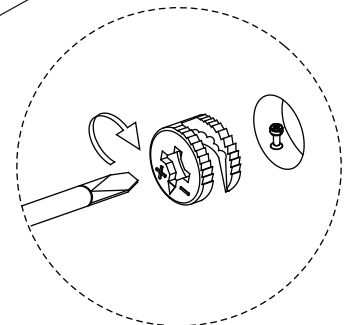
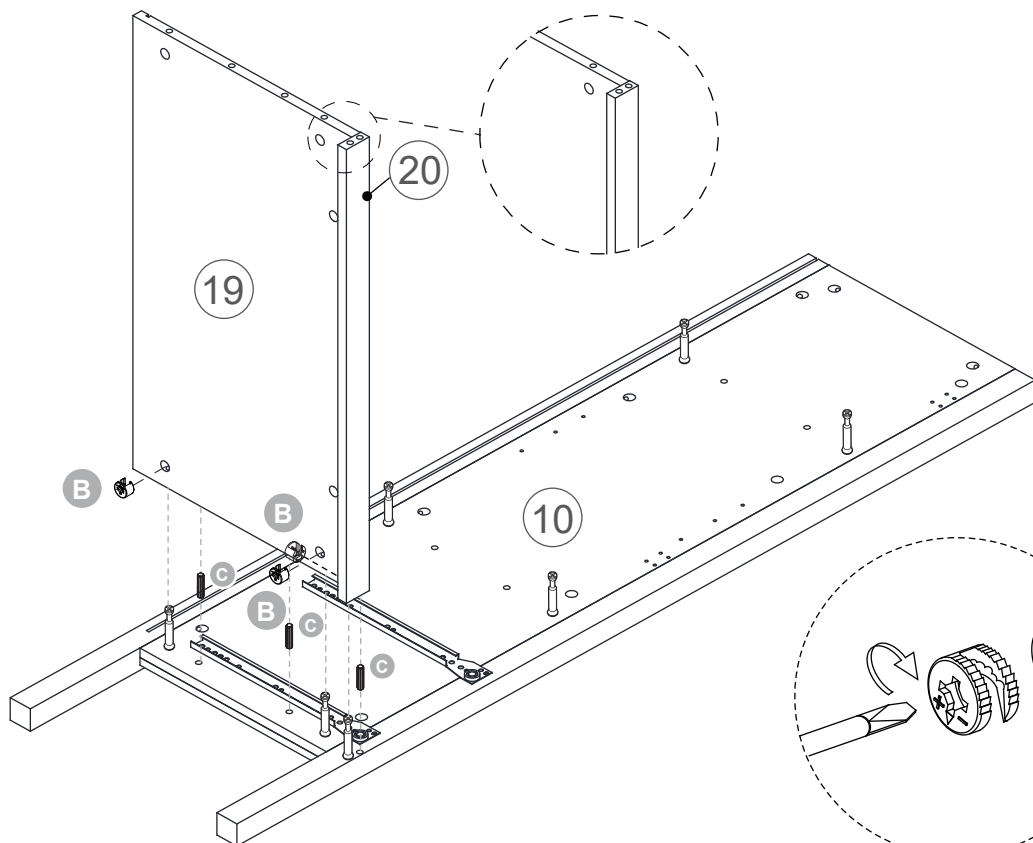


9

YOU WILL NEED

B x3

C x3

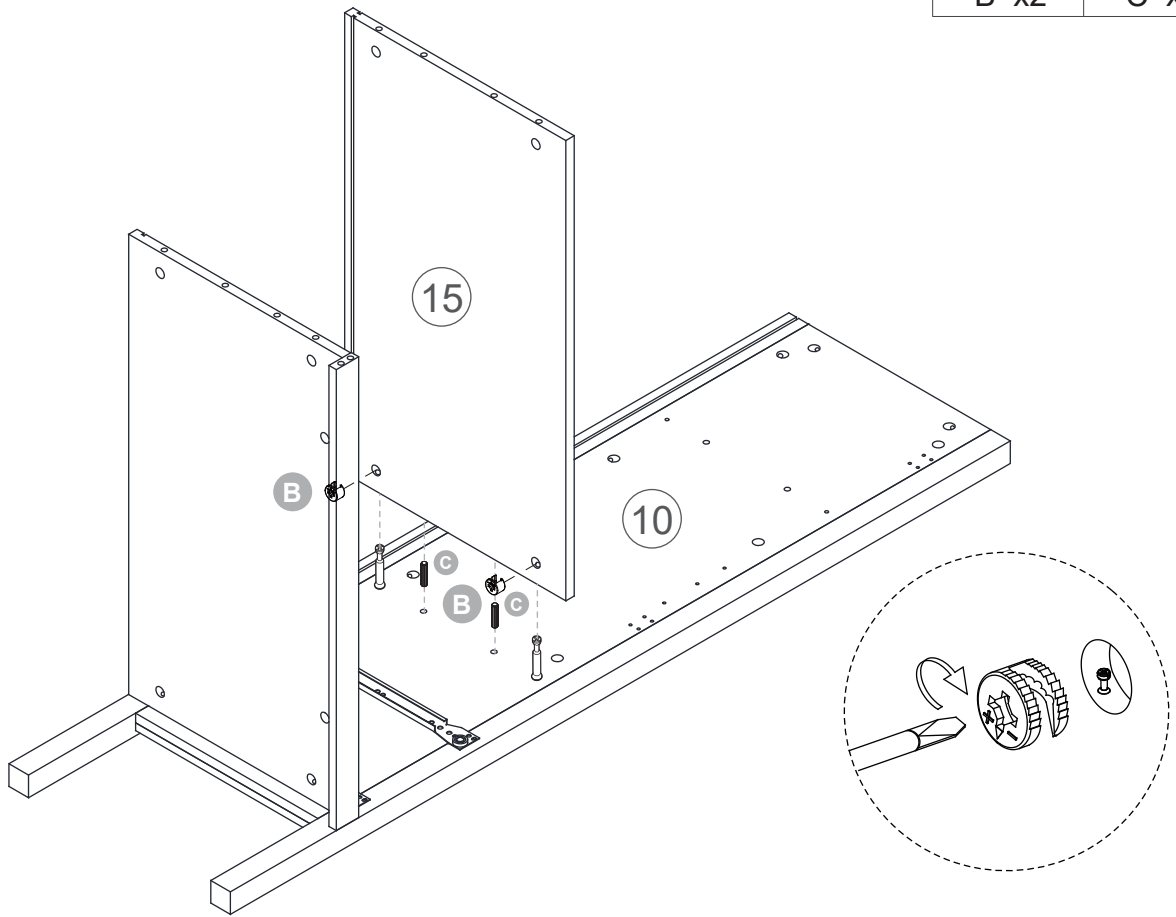


10

YOU WILL NEED

B x2

C x2

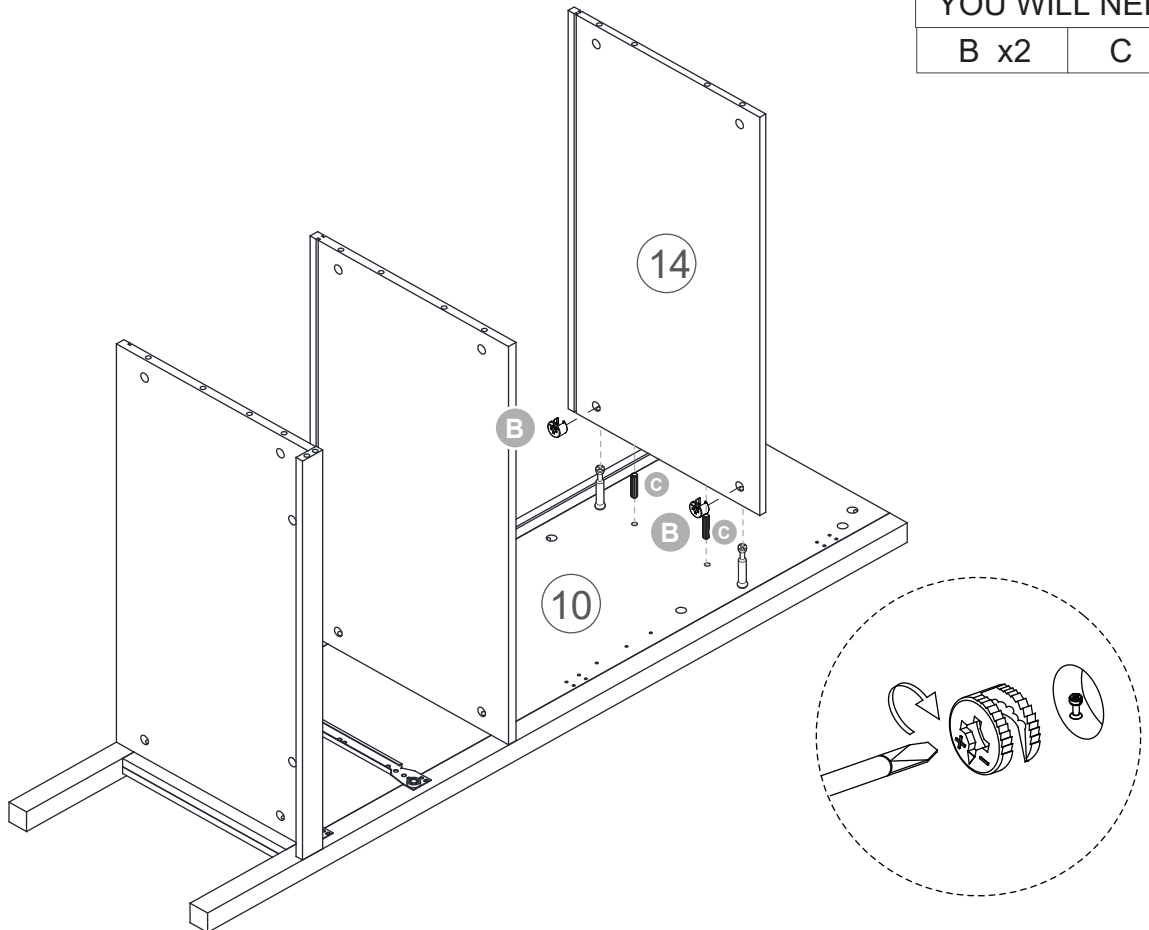


11

YOU WILL NEED

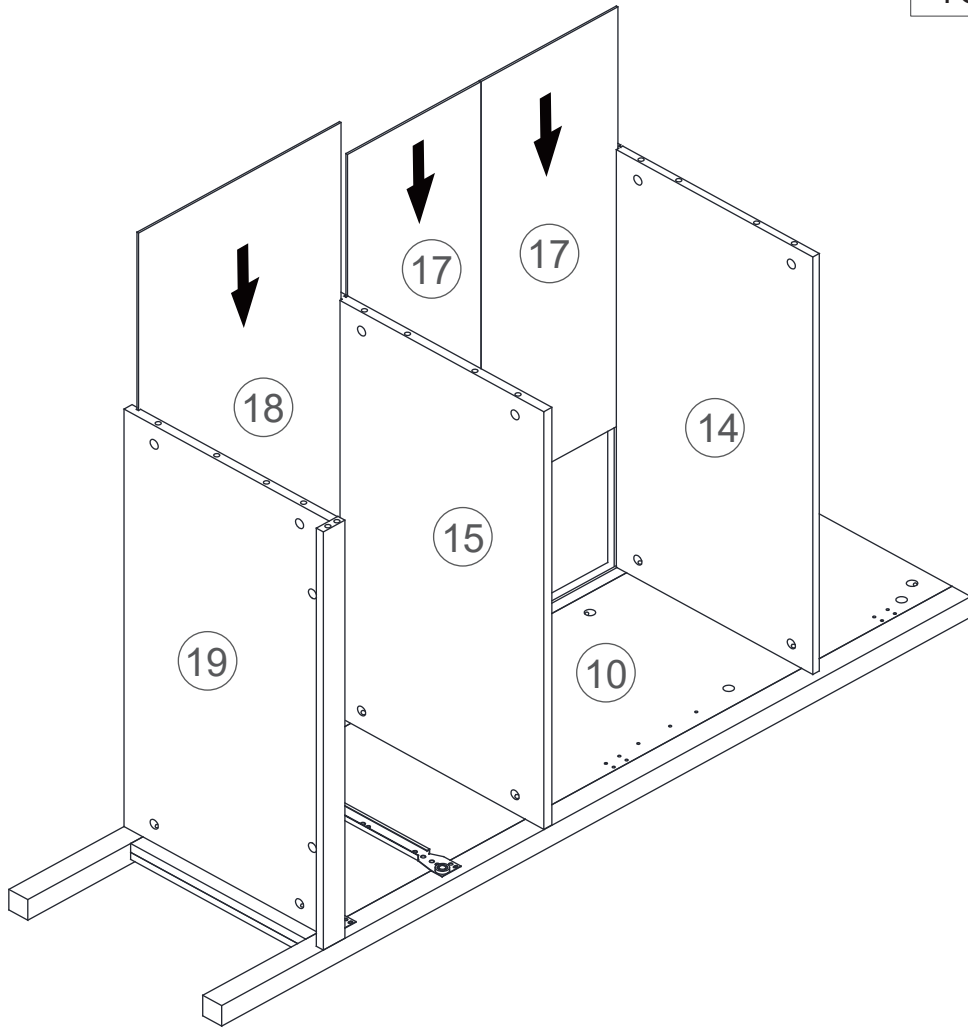
B x2

C x2



12

YOU WILL NEED

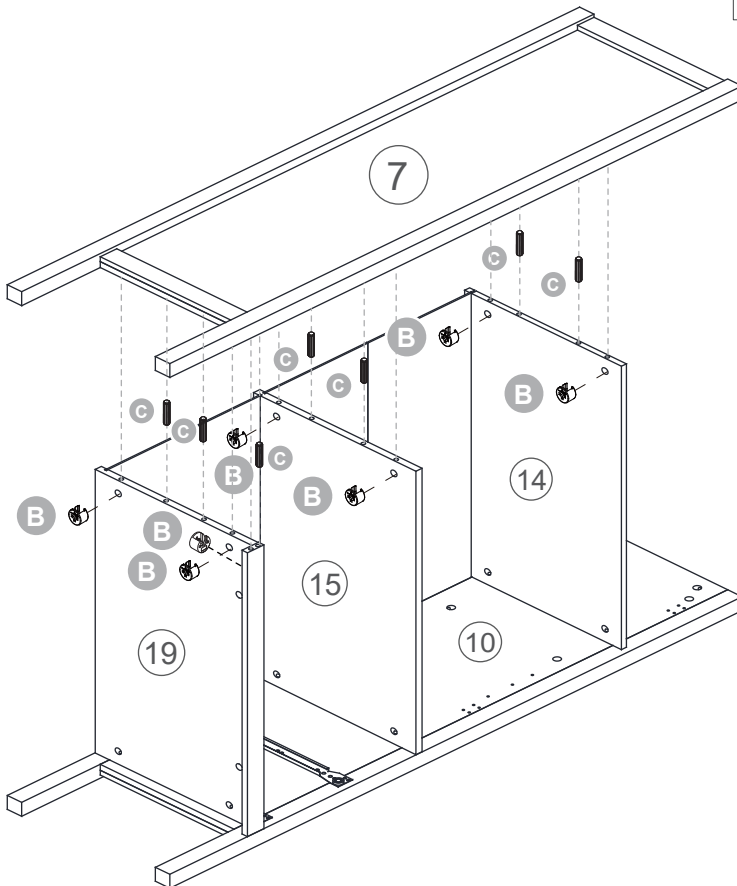


13

YOU WILL NEED

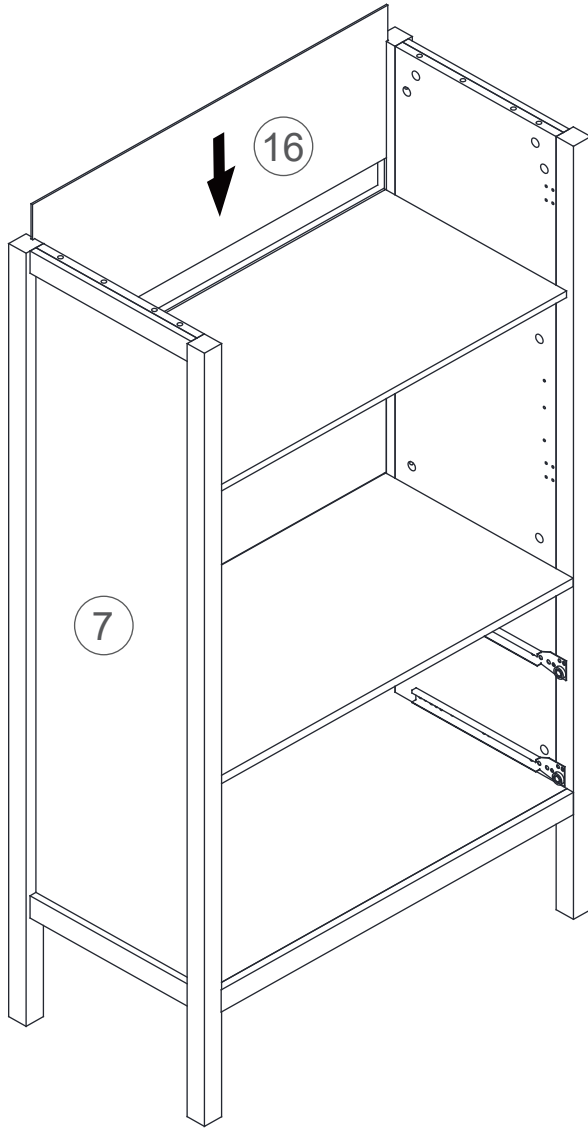
B x7

C x7



14

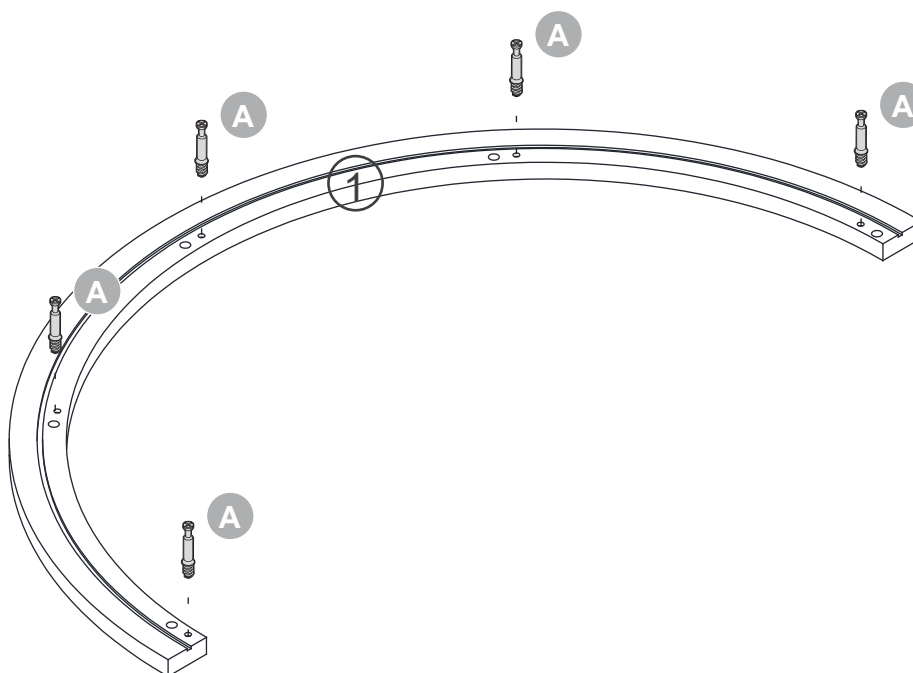
YOU WILL NEED



15

YOU WILL NEED

A x5

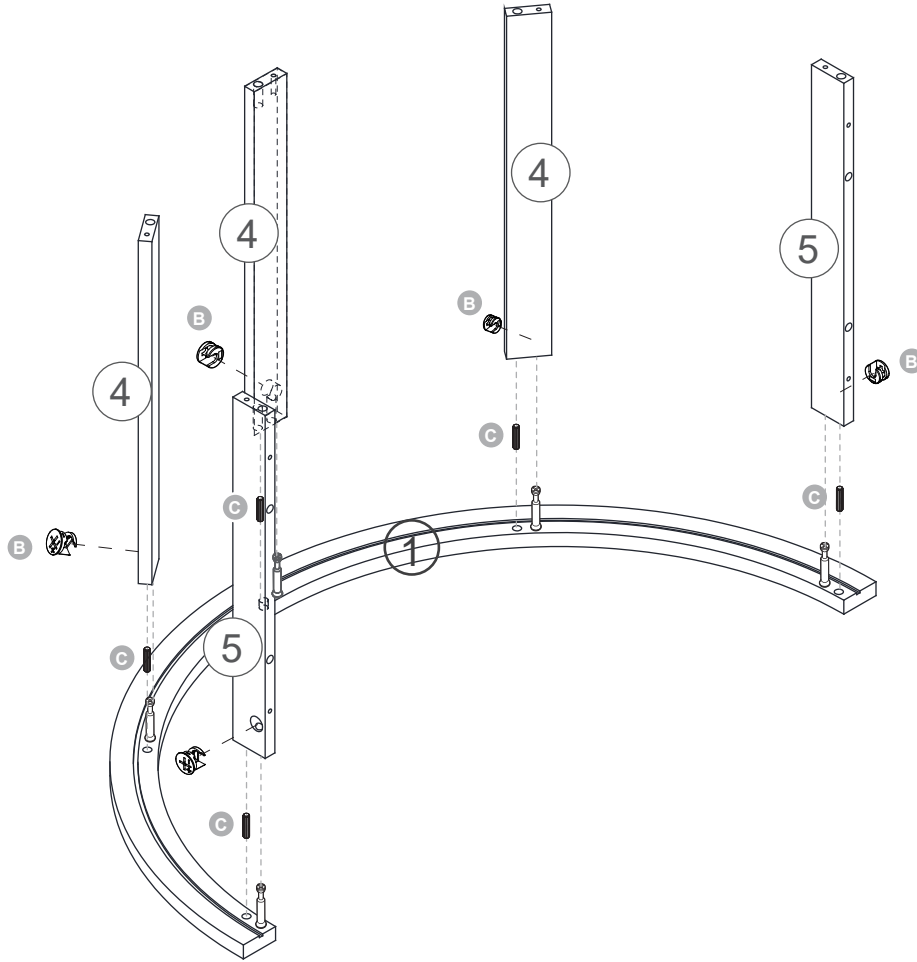


16

YOU WILL NEED

B x5

C x5

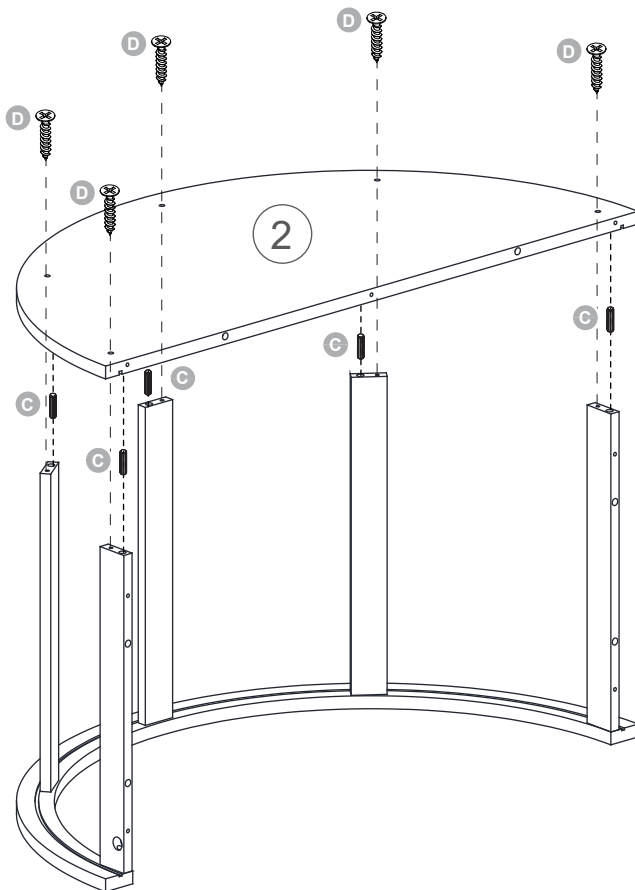


17

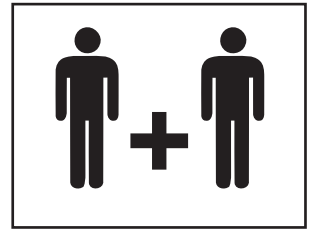
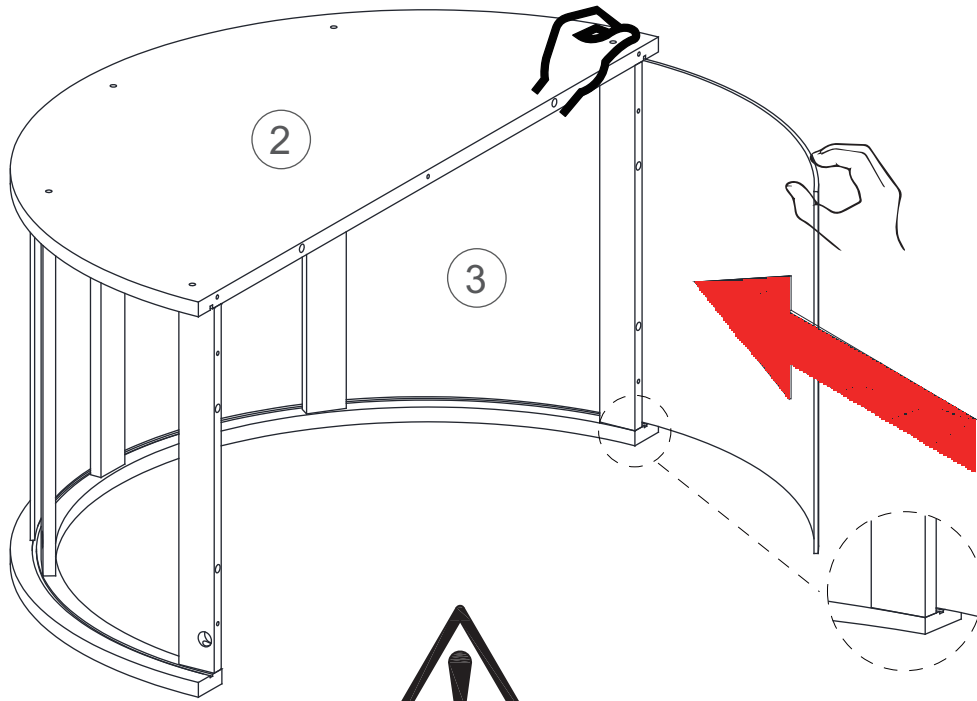
YOU WILL NEED

C x5

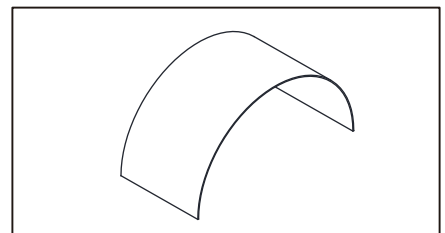
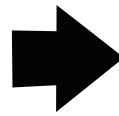
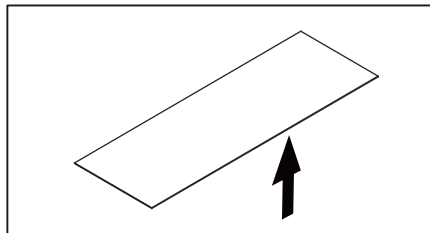
D x5



18



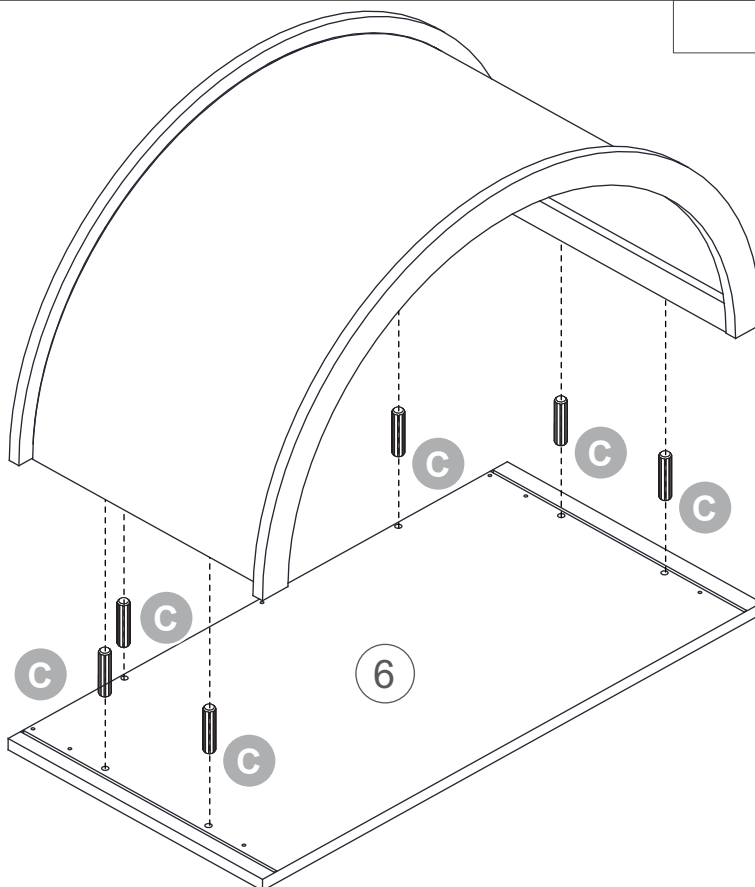
carefully slide the panel(3) into the place.



19

YOU WILL NEED

C x6

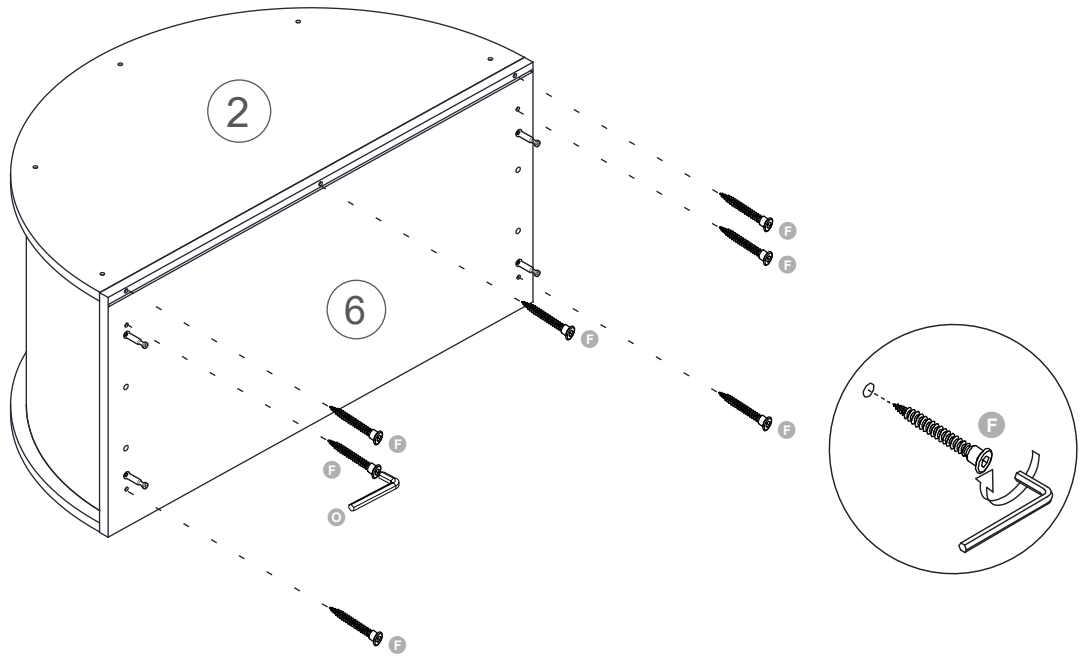


20

YOU WILL NEED

F x7

O x1

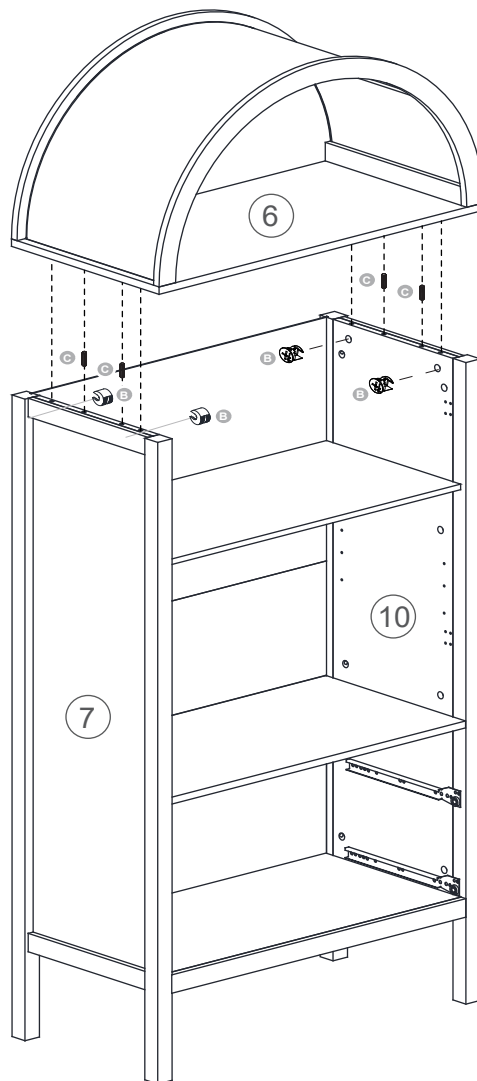


21

YOU WILL NEED

B x4

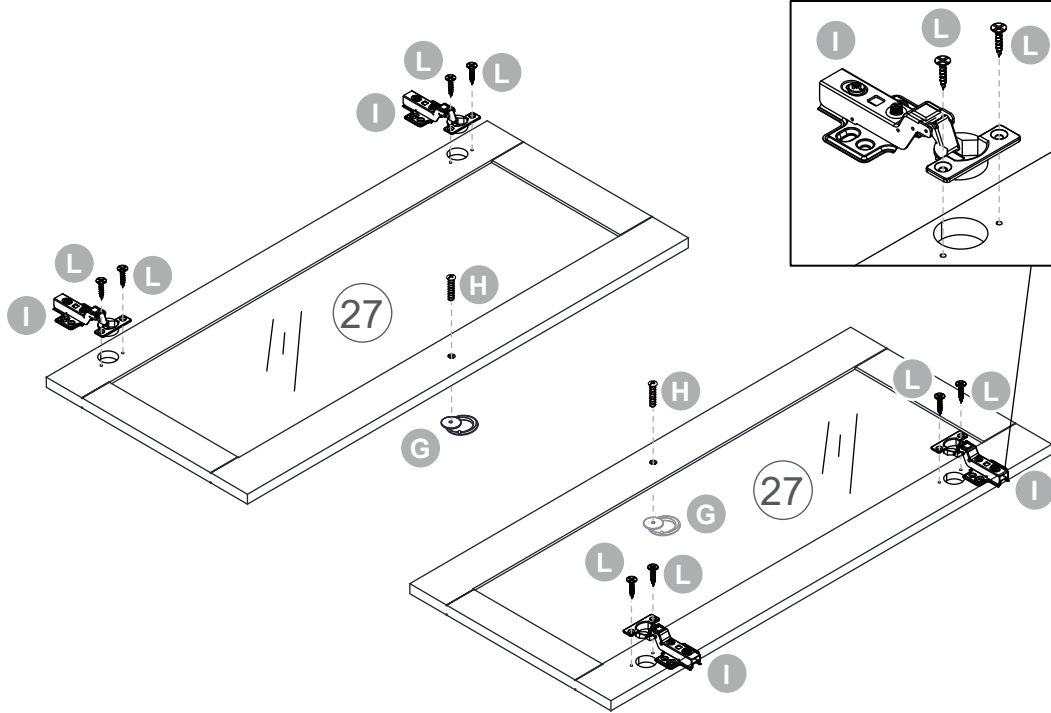
C x4



22

YOU WILL NEED

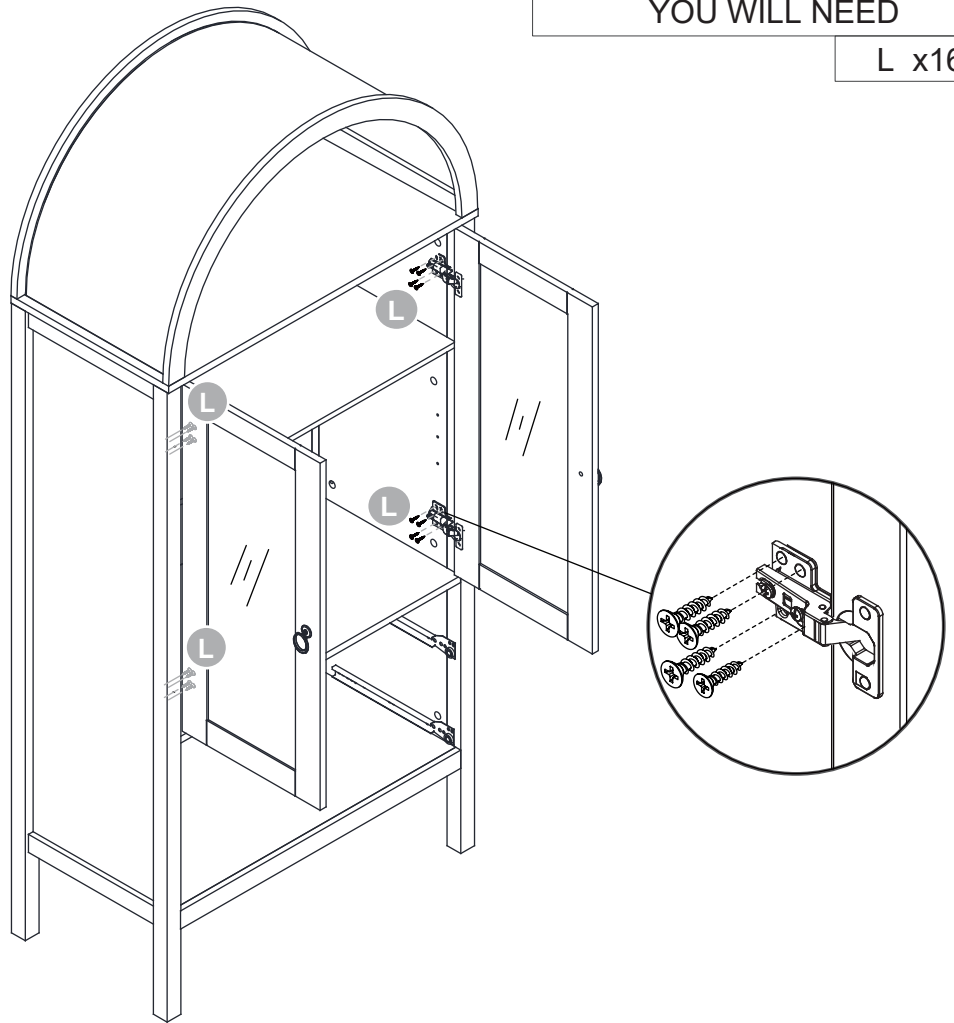
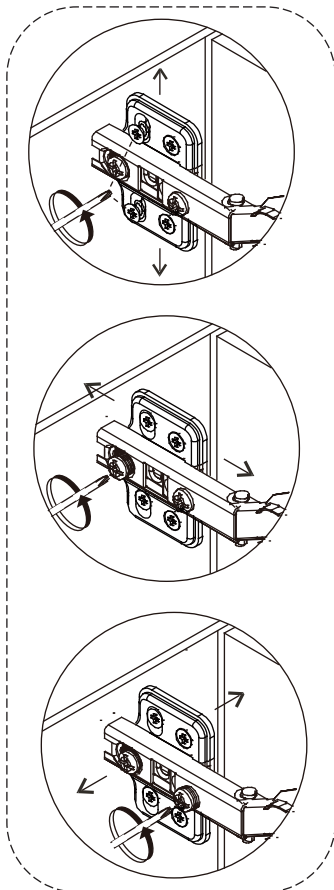
G x2	H x2	I x4	L x8
------	------	------	------



23

YOU WILL NEED

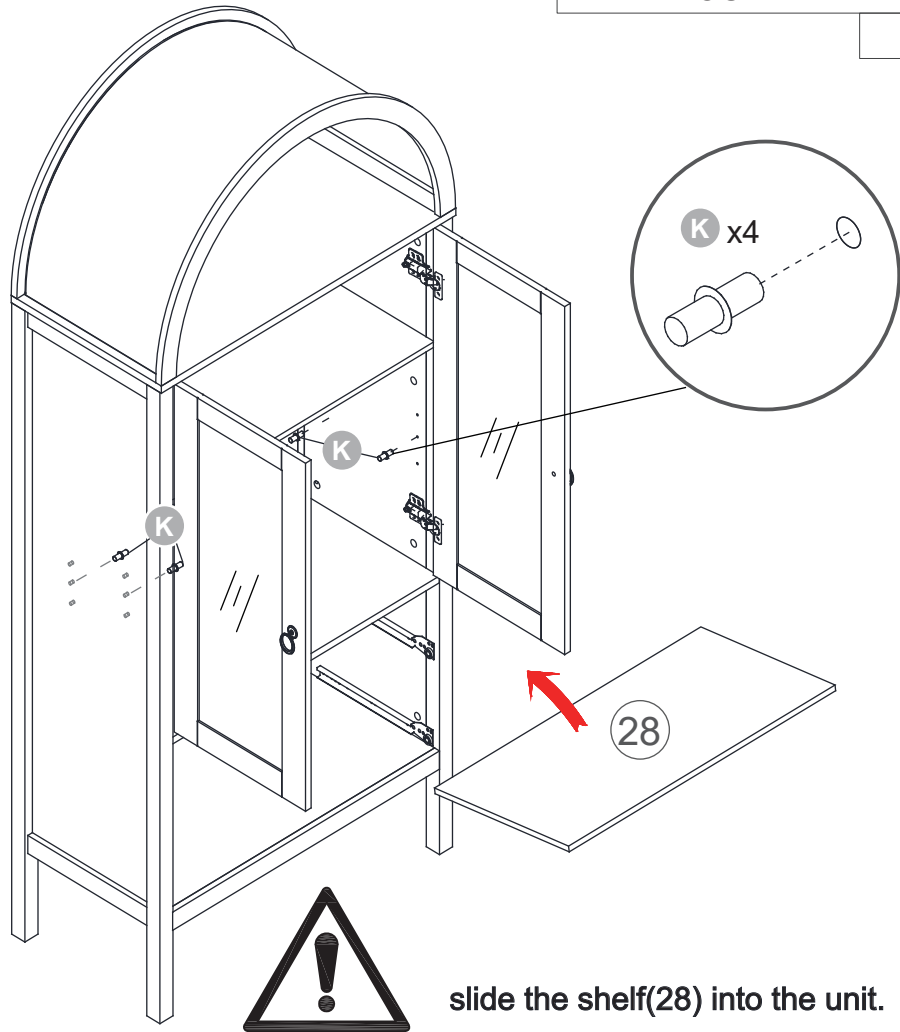
L x16



24

YOU WILL NEED

K x4

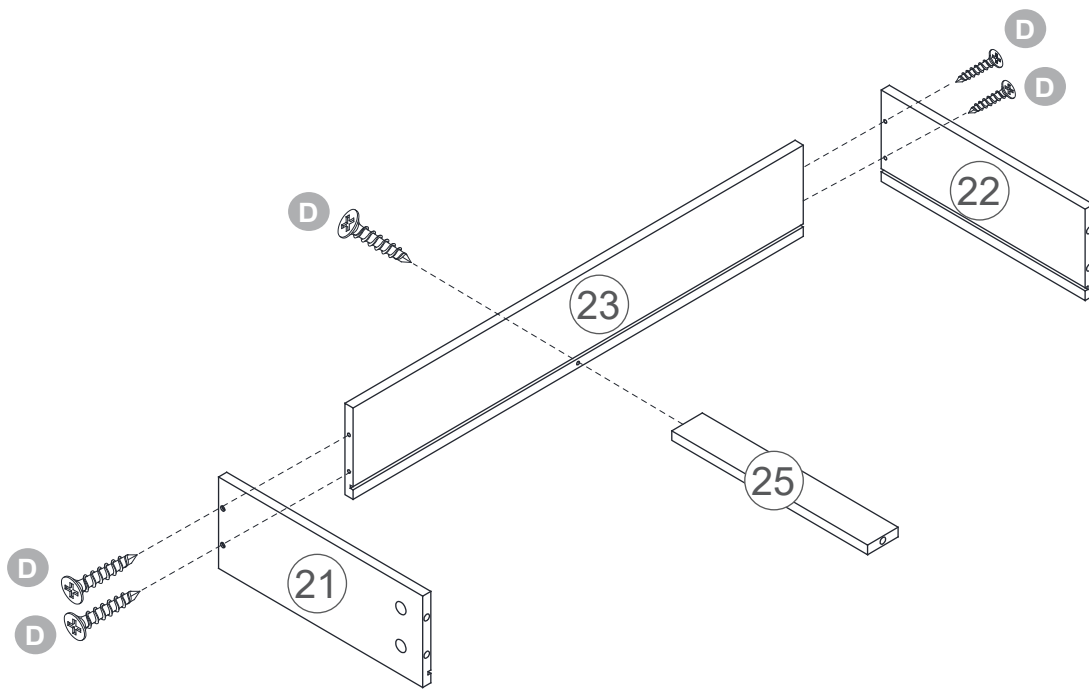


slide the shelf(28) into the unit.

25

YOU WILL NEED

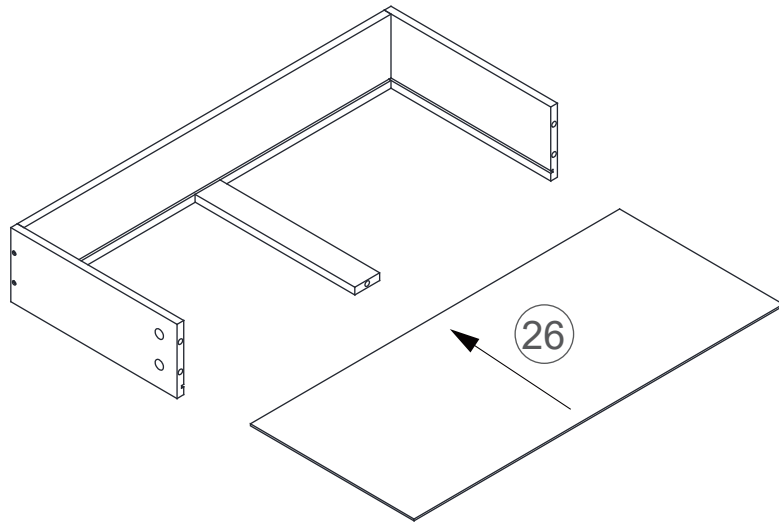
D x10



X2

26

YOU WILL NEED

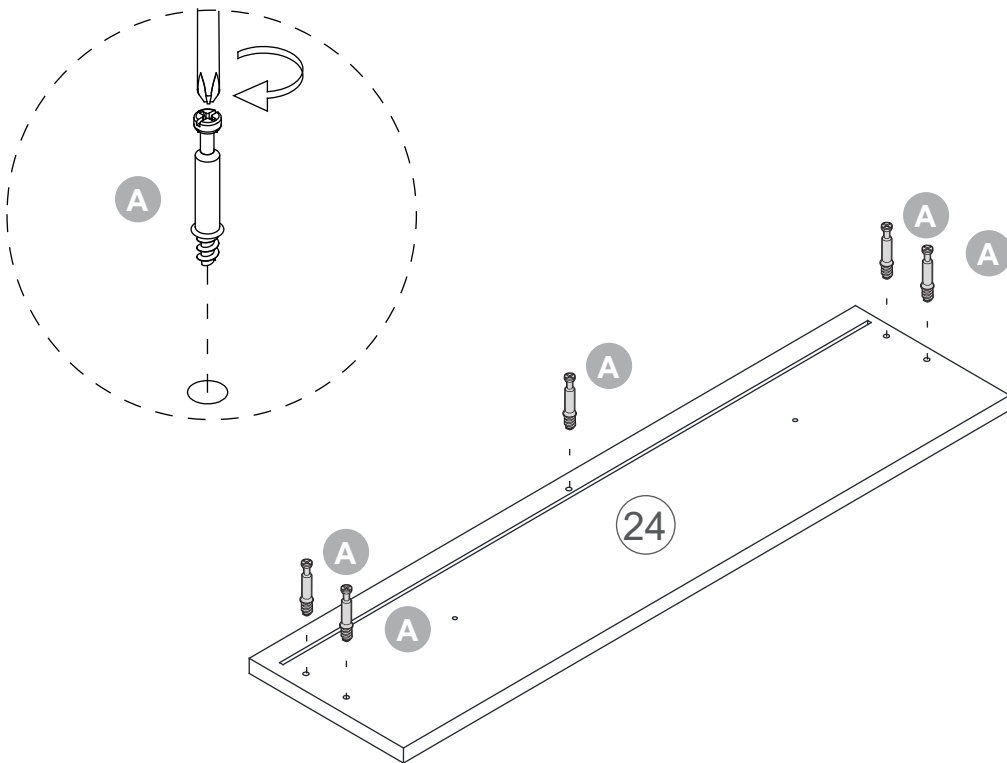


X2

27

YOU WILL NEED

A x10



X2

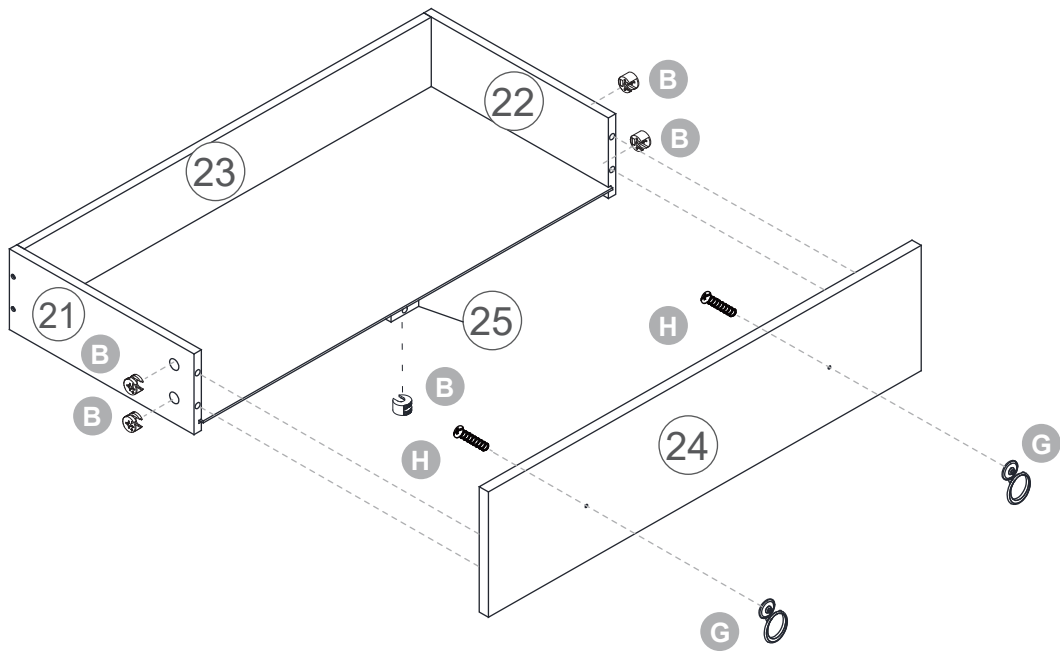
28

YOU WILL NEED

B x10

G x4

H x4

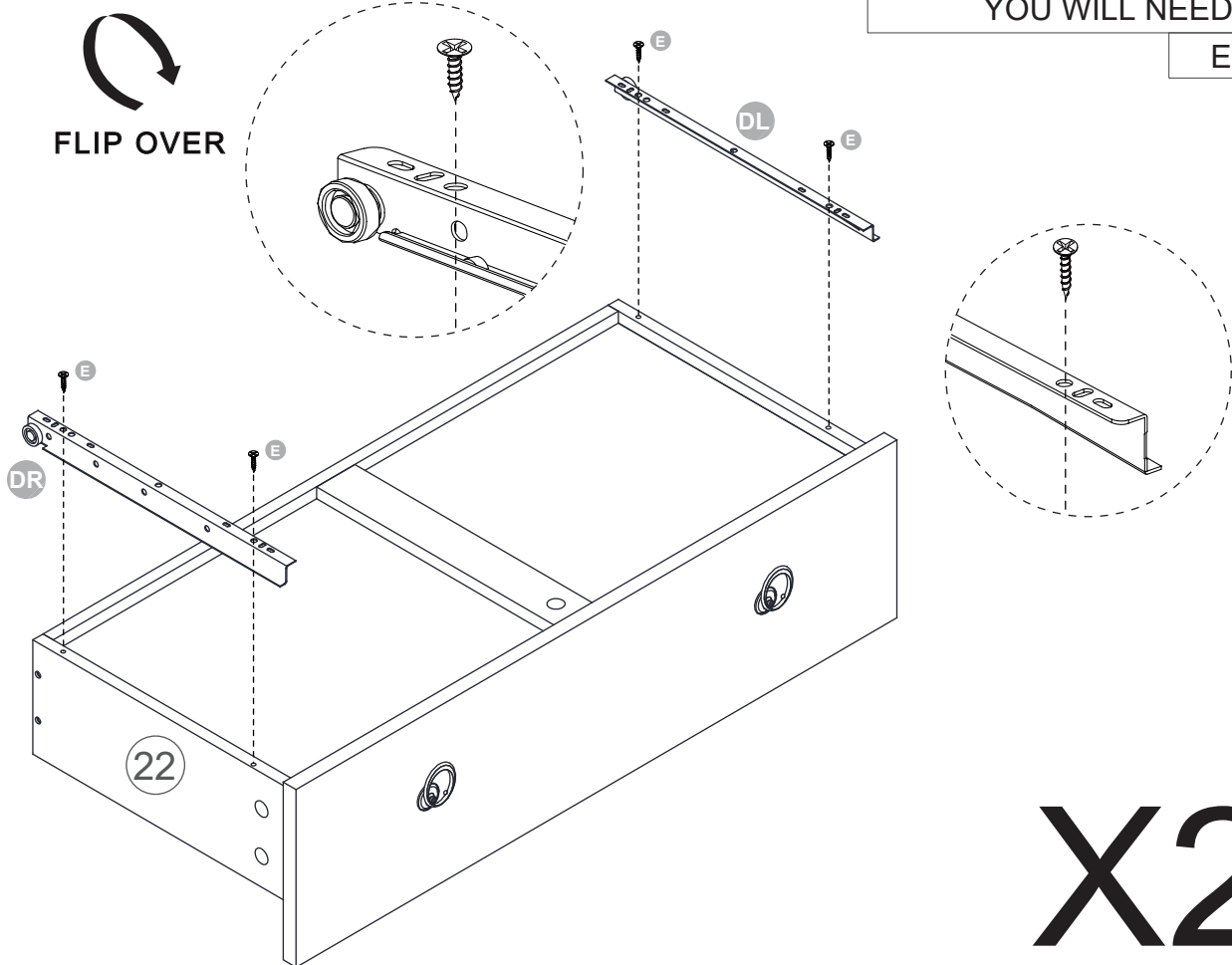


X2

29

YOU WILL NEED

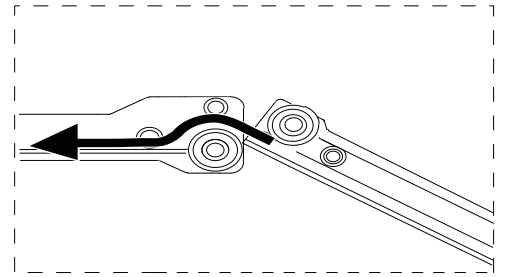
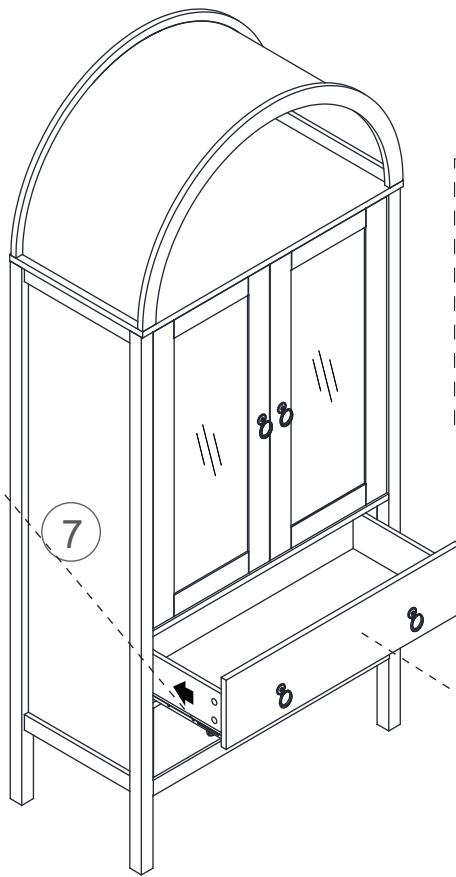
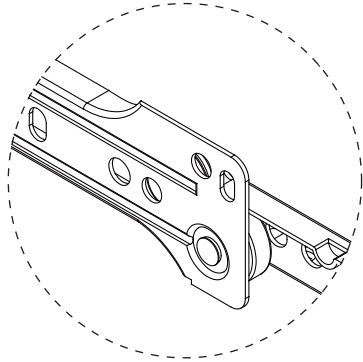
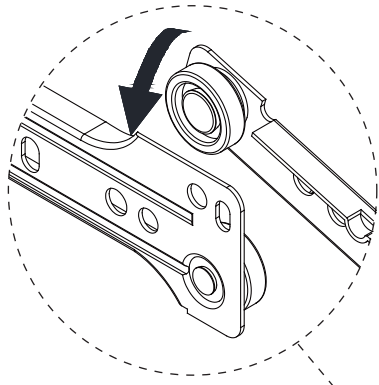
E x8



X2

30

YOU WILL NEED



X2

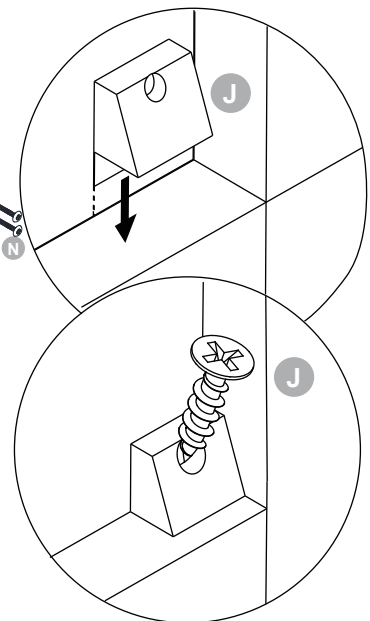
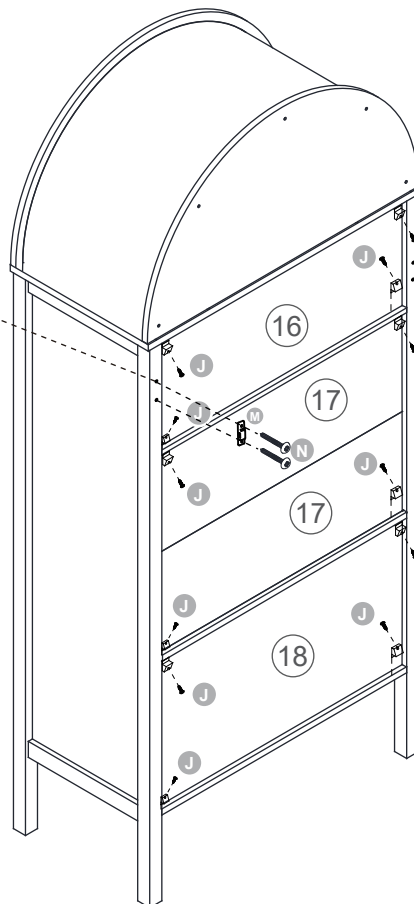
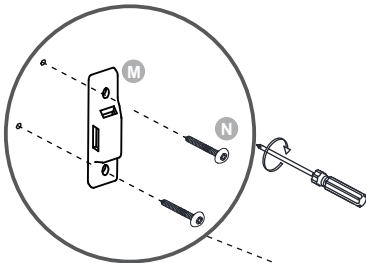
31

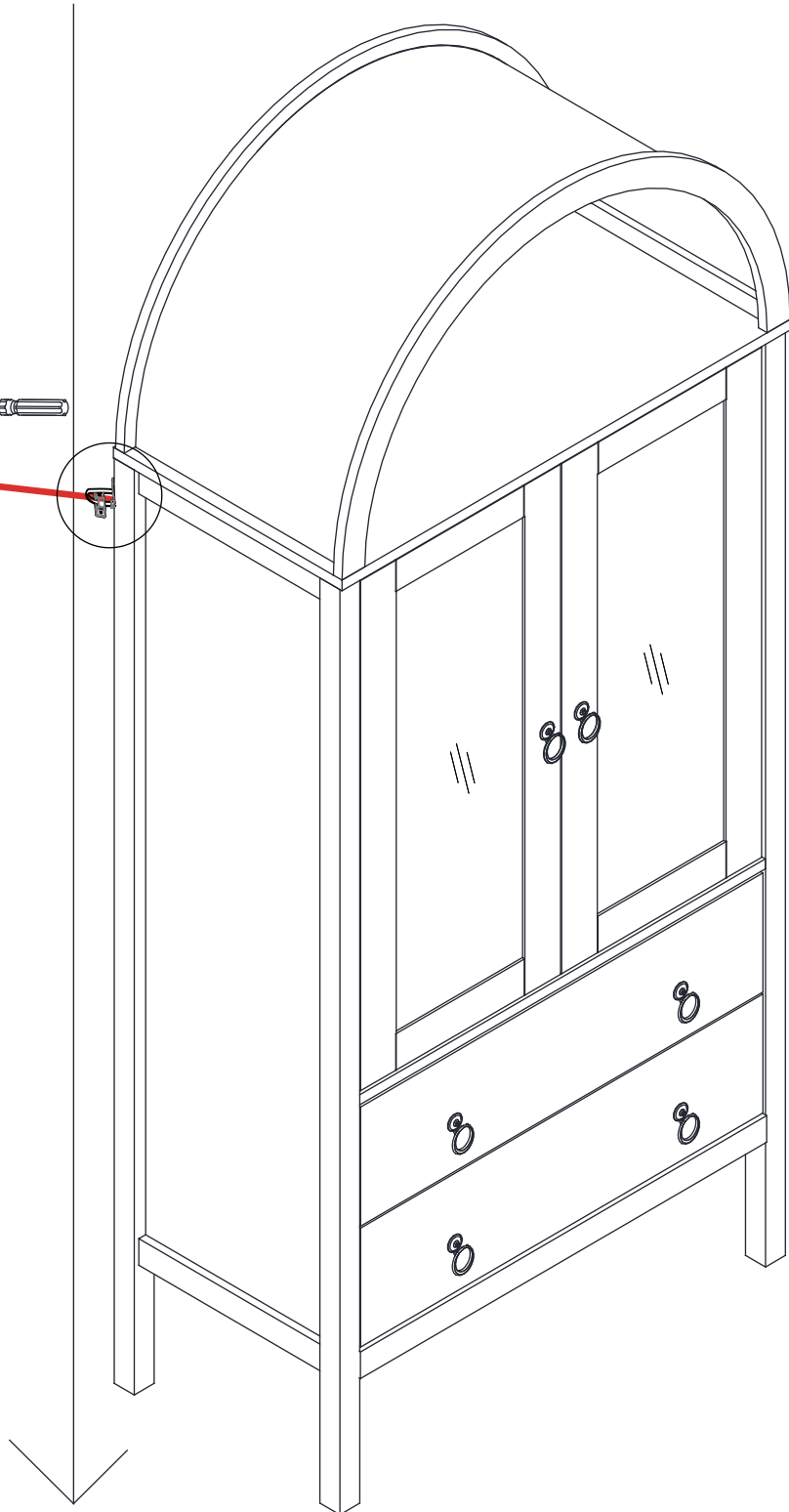
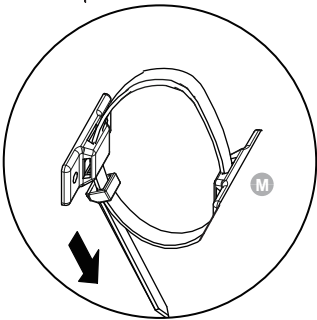
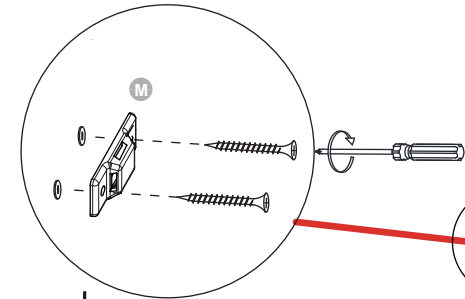
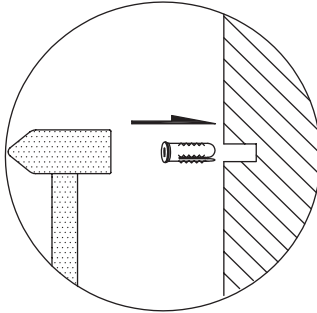
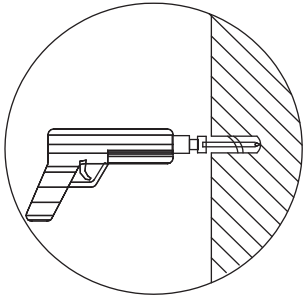
YOU WILL NEED

N x4

M x2

J x12





Model: SH-09

Made in China

