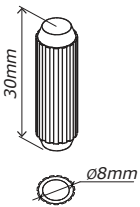


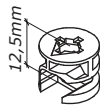
A34
x2



H1
x12



T28
x10



T7
x2



T99
x6



T98
x2



V38
x2



V5
x20



H54
x4



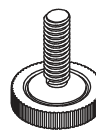
H113
x4



V137
x4



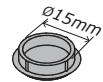
G136
x2



P34
x6



T94
x6



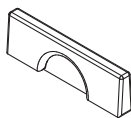
G122
x2



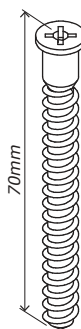
G57
x4



H2
x16



M175
x2



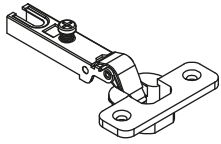
V115
x4



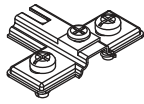
V45
x2



R40
x4



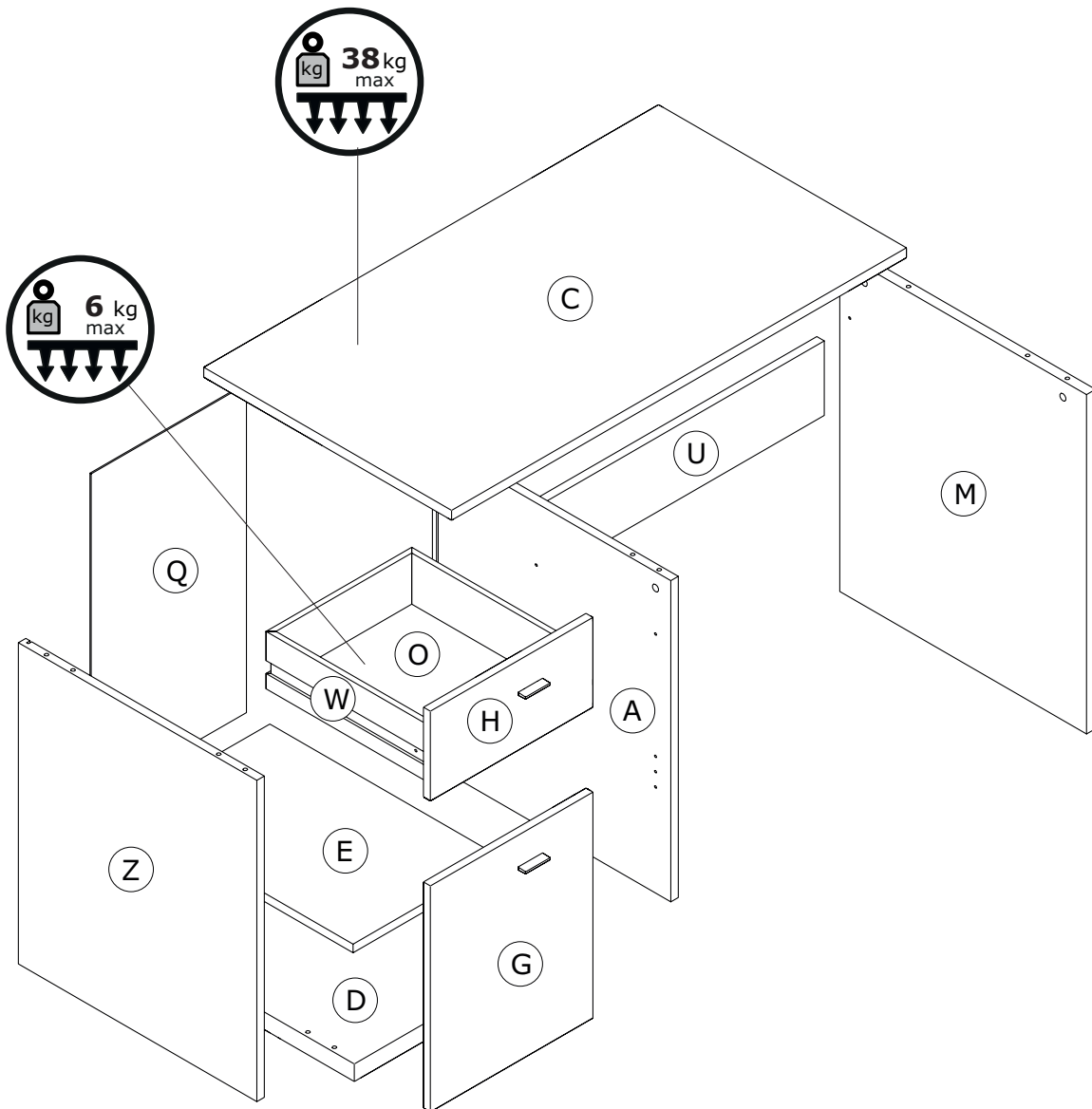
C74
x2

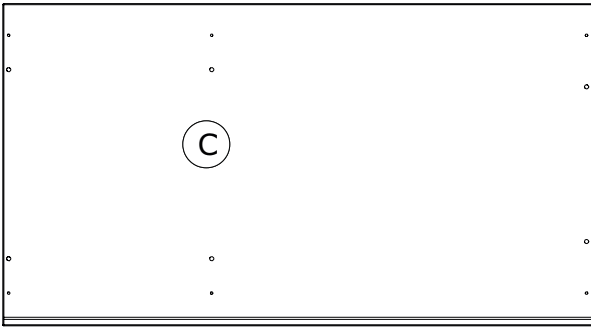


B9
x2

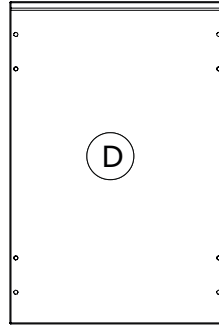


V5
x4

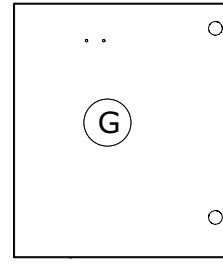




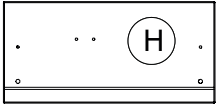
CA3396
1100x600x22mm



BA2085
400x600x38mm



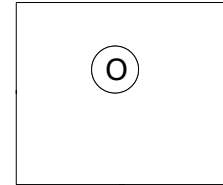
AN2700
394x474x18mm



CS3038
394x189x18mm

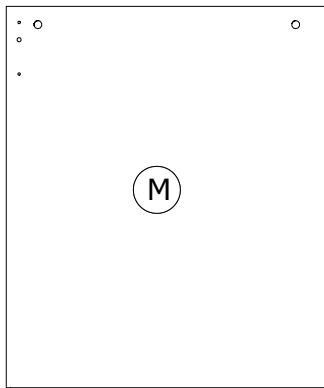


OF0468
400/352x120x12mm

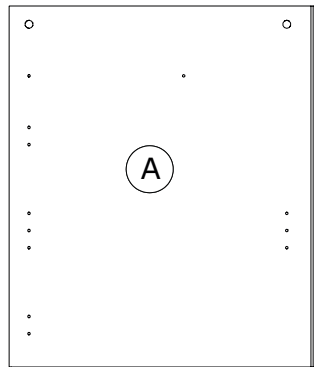


SH3174
339x401x3mm

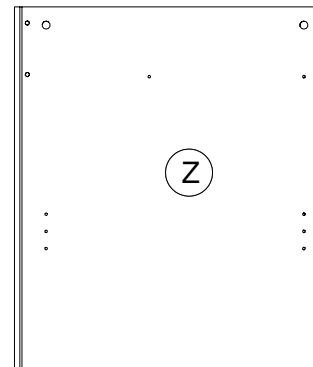
BOX 1/2



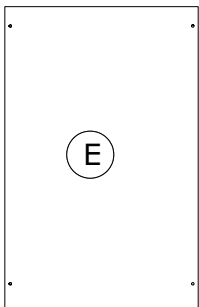
FI8270
596x710x22mm



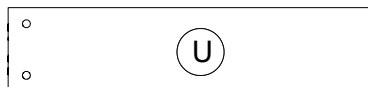
FI8269
576x672x18mm



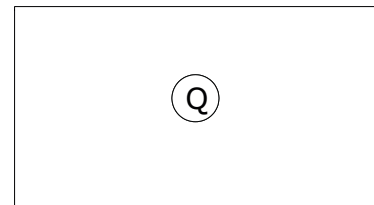
FI8271
576x672x18mm



PI6972
360x561x18mm



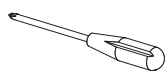
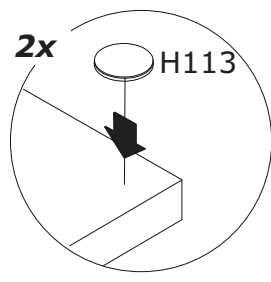
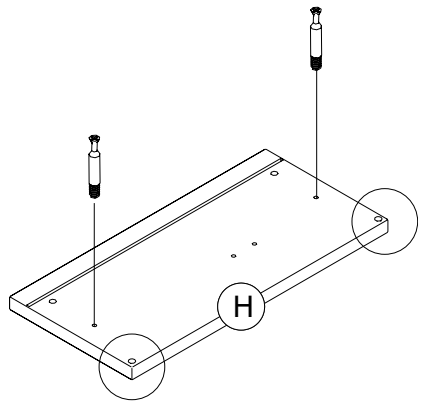
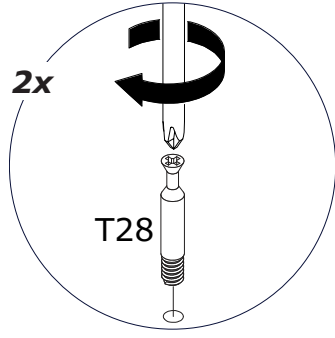
FS3163
678x156x18mm



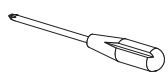
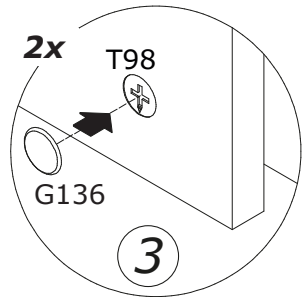
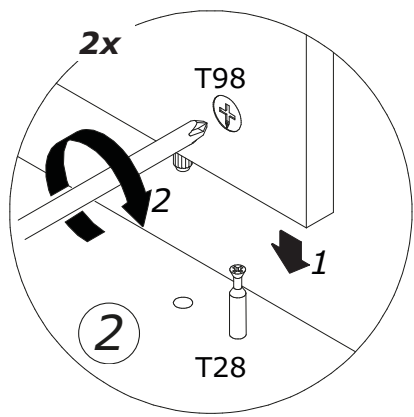
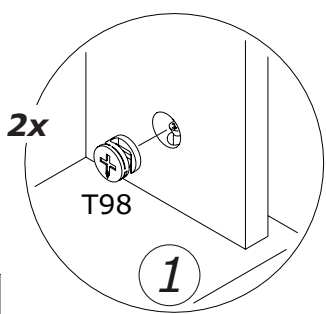
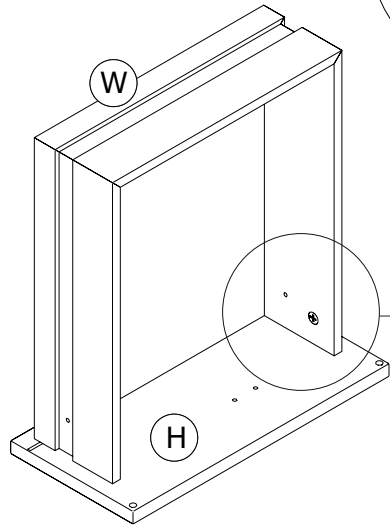
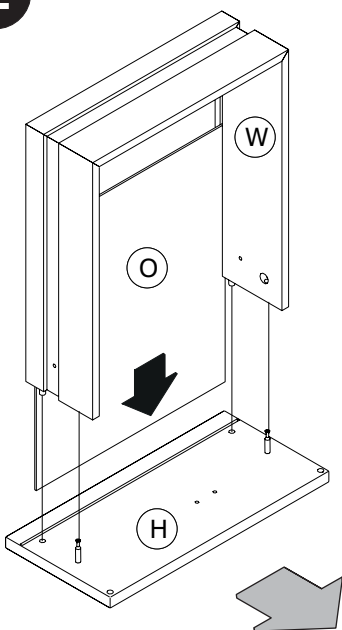
SH3173
375x687x2mm

BOX 2/2

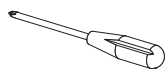
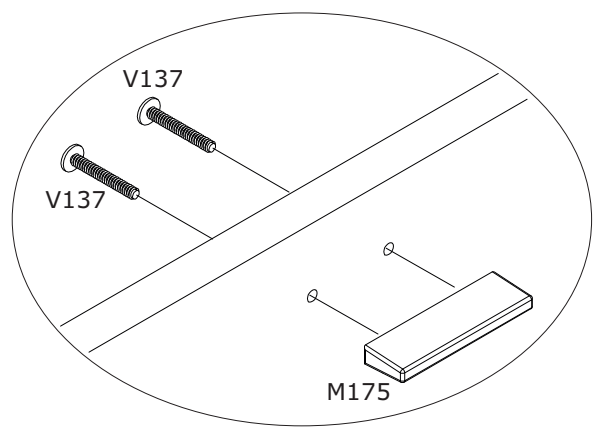
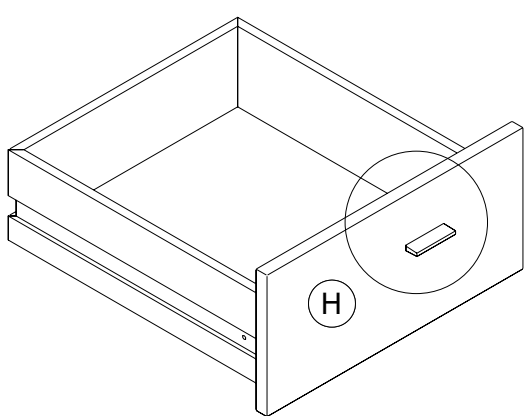
1



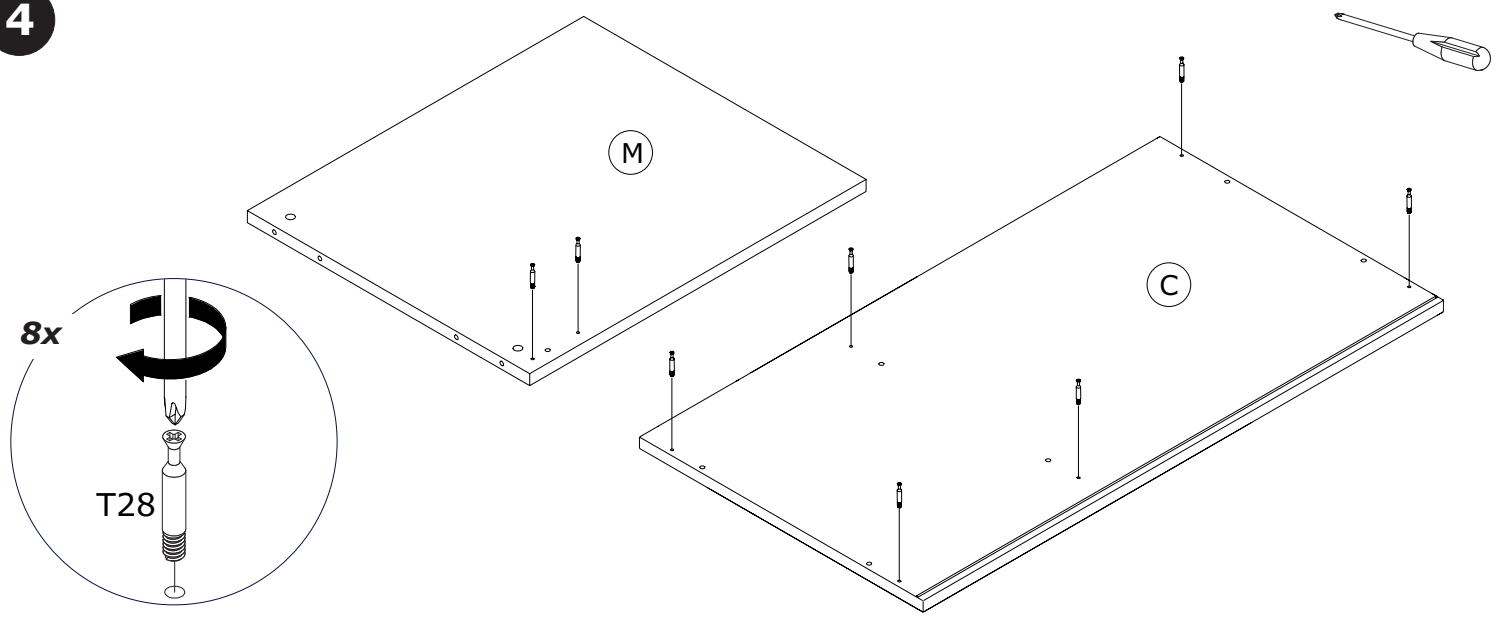
2



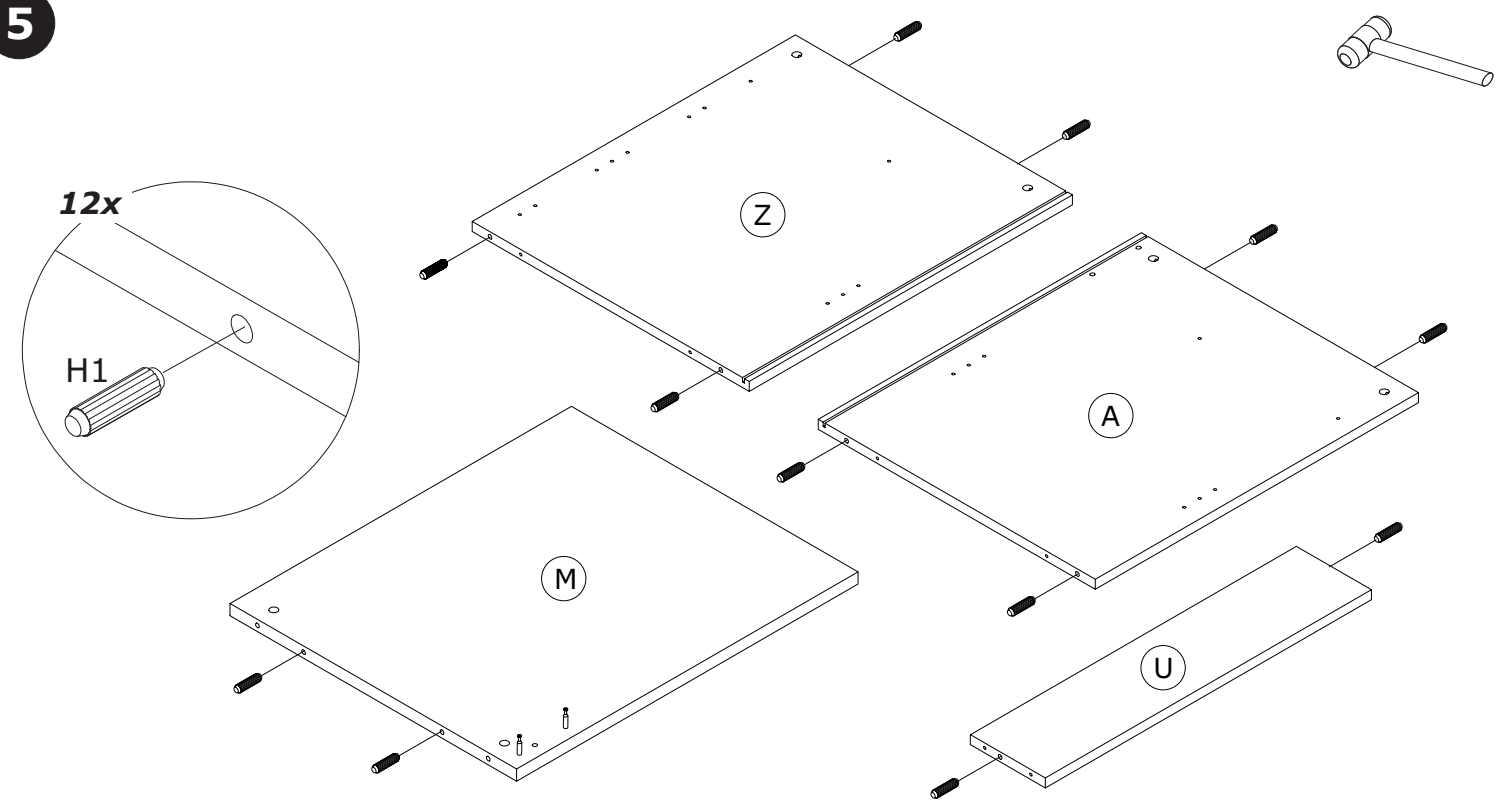
3



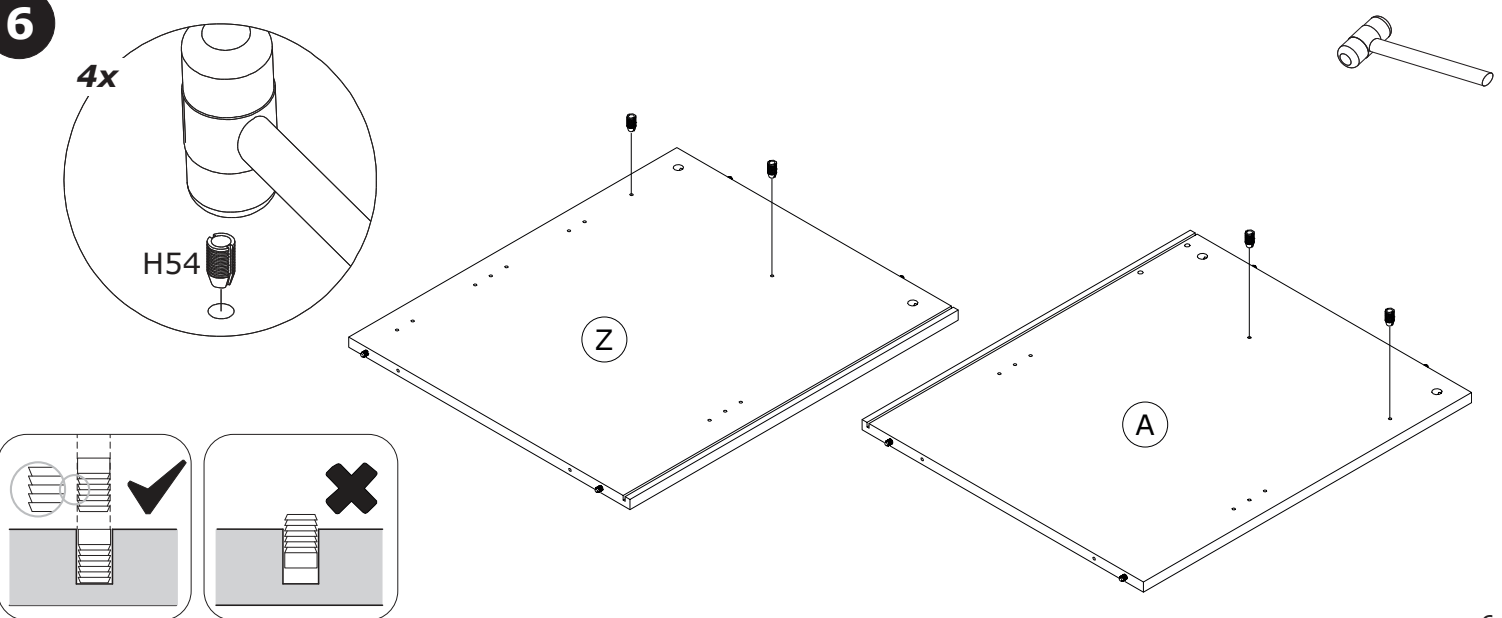
4



5

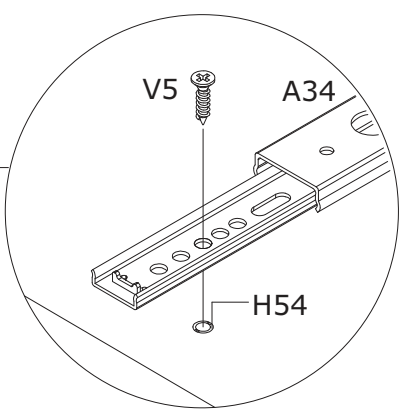
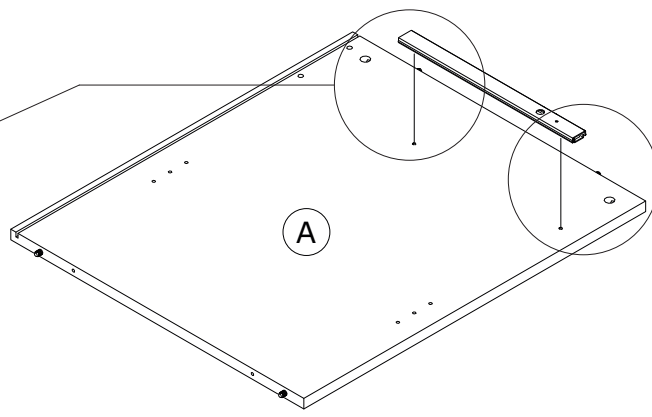
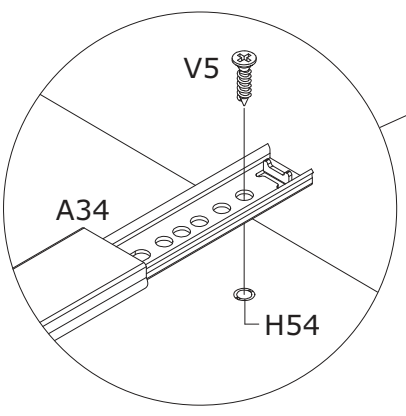
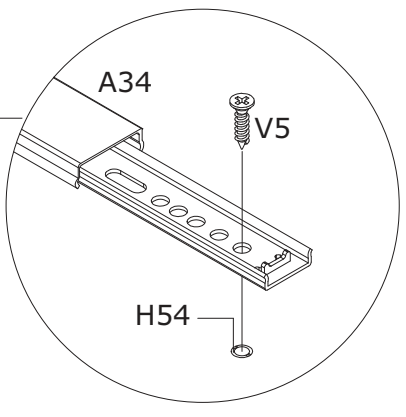
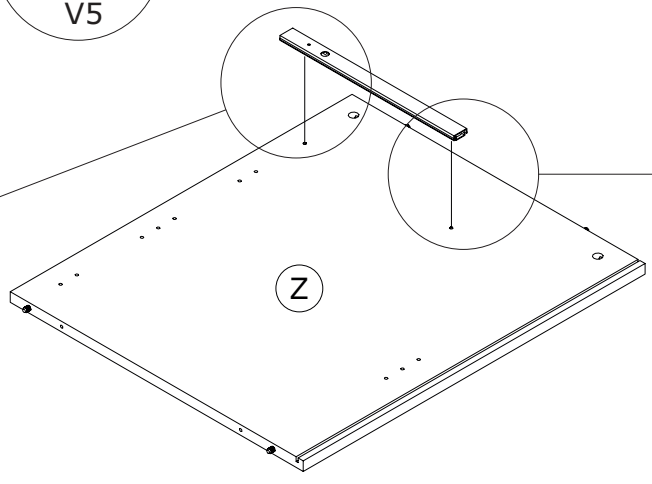
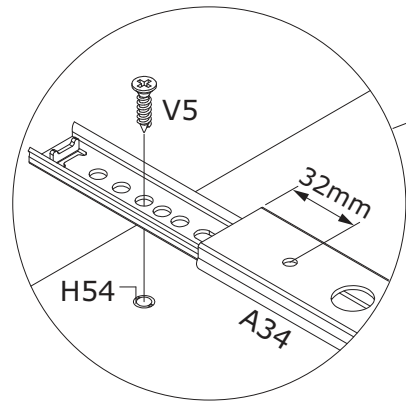
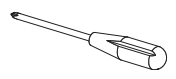


6

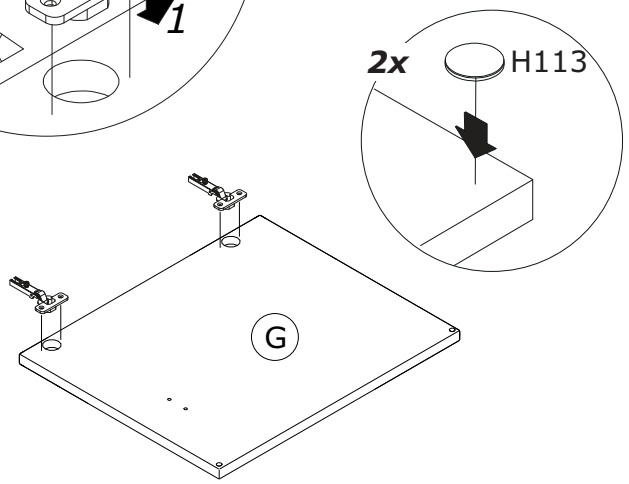
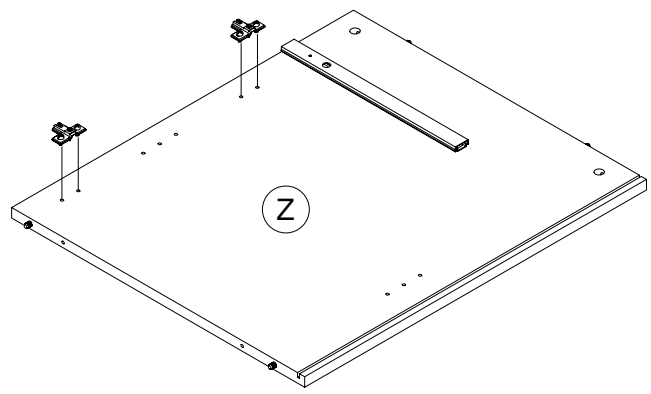
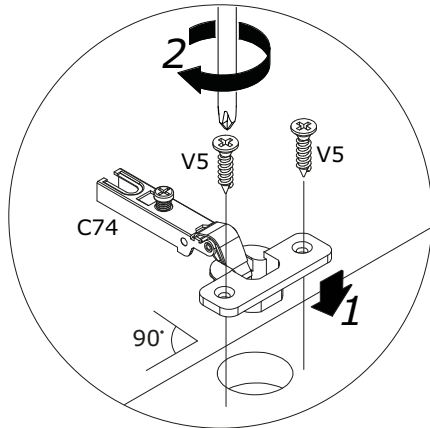
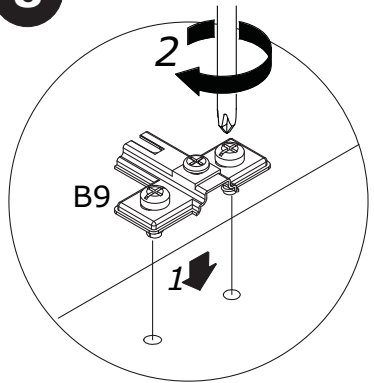
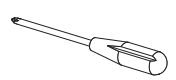


7

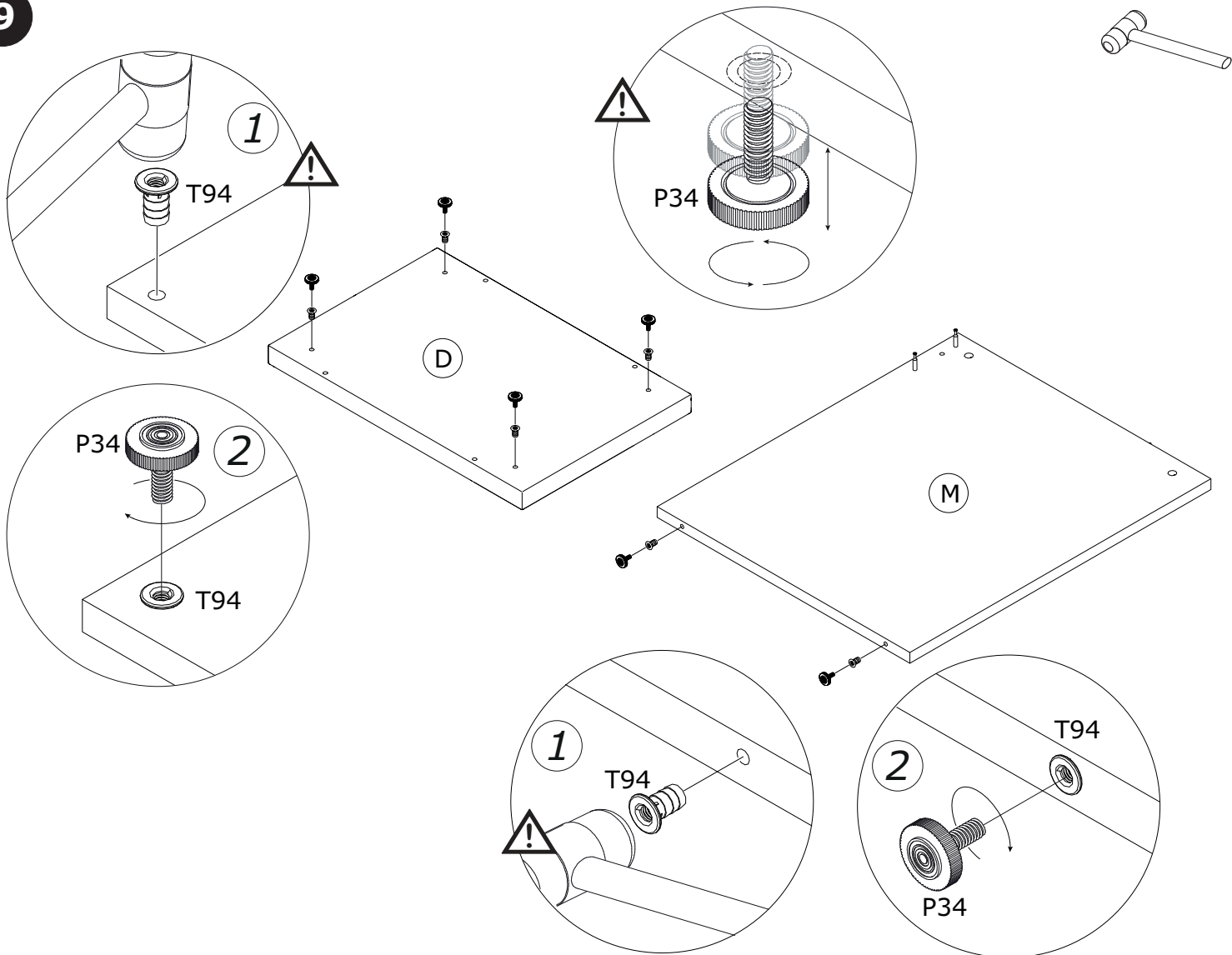
4x
V5



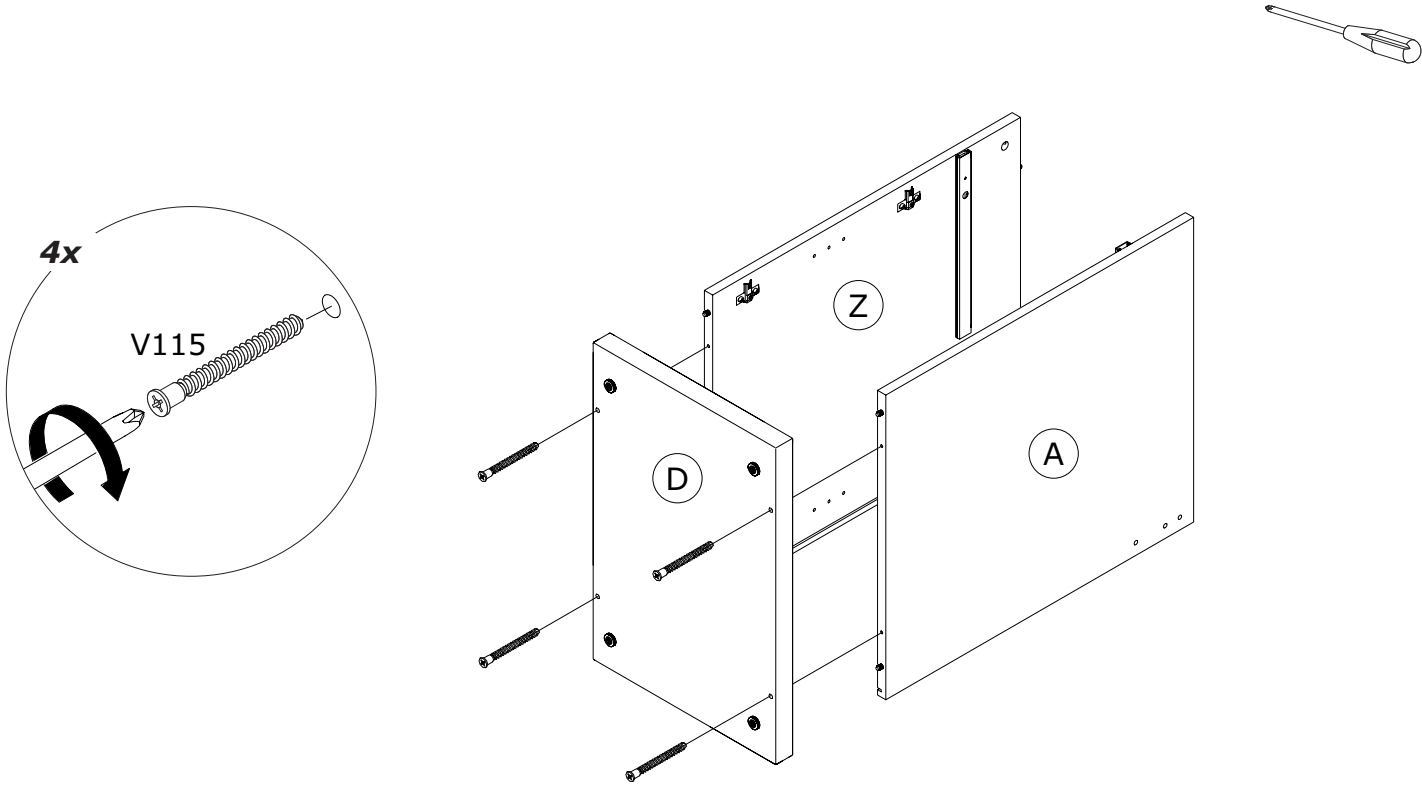
8



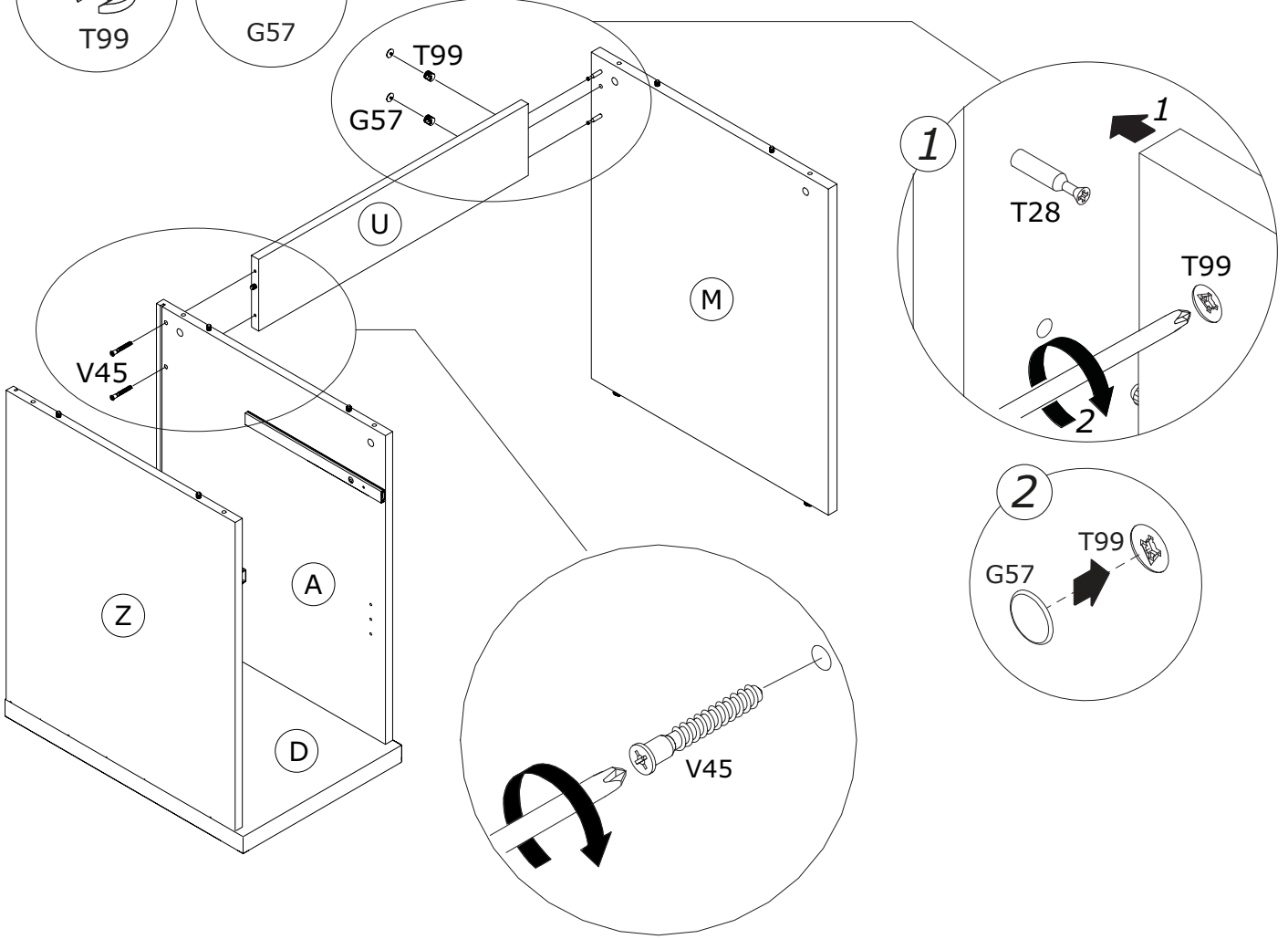
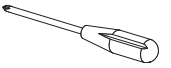
9



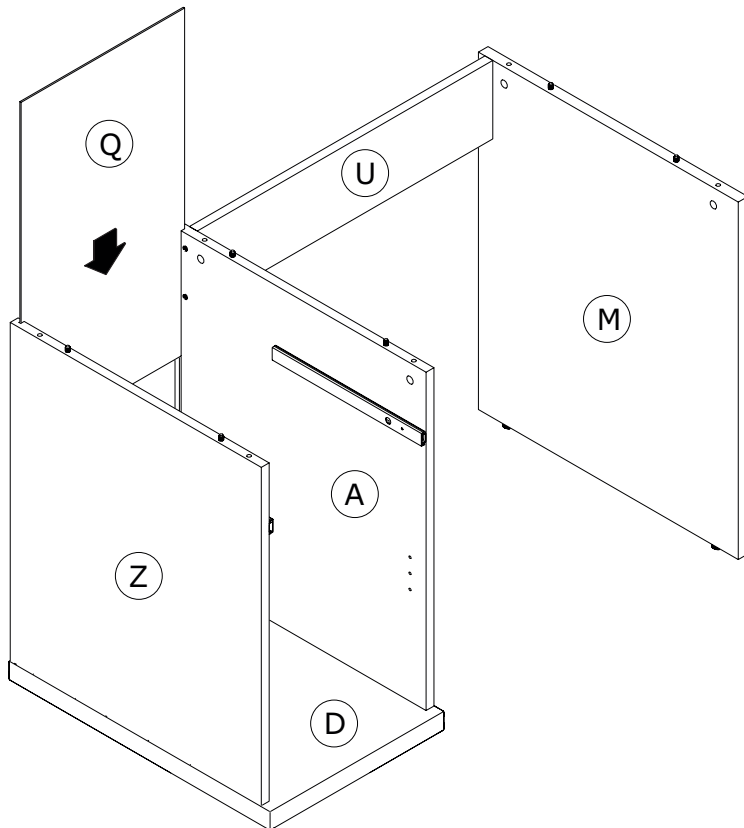
10



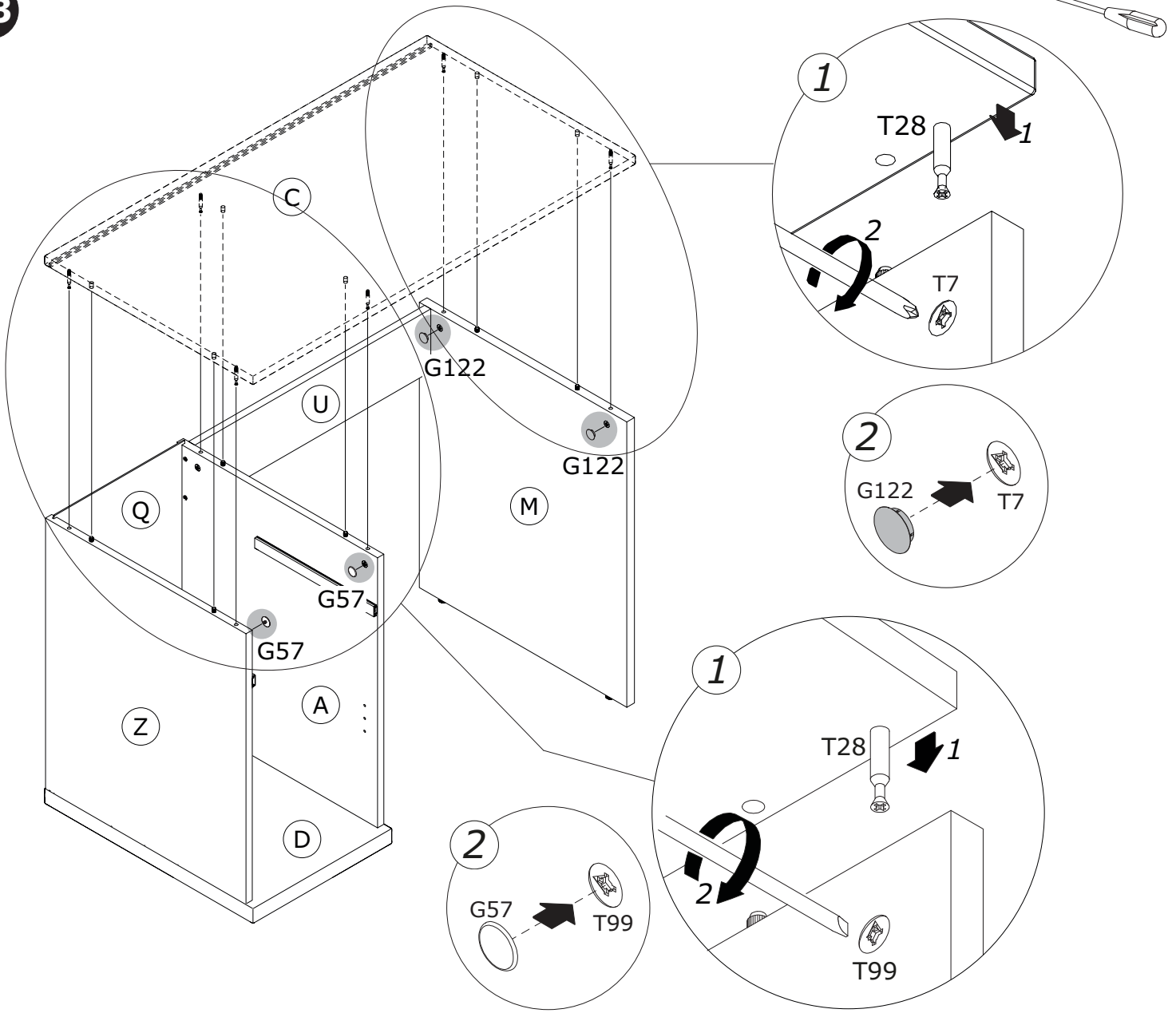
11



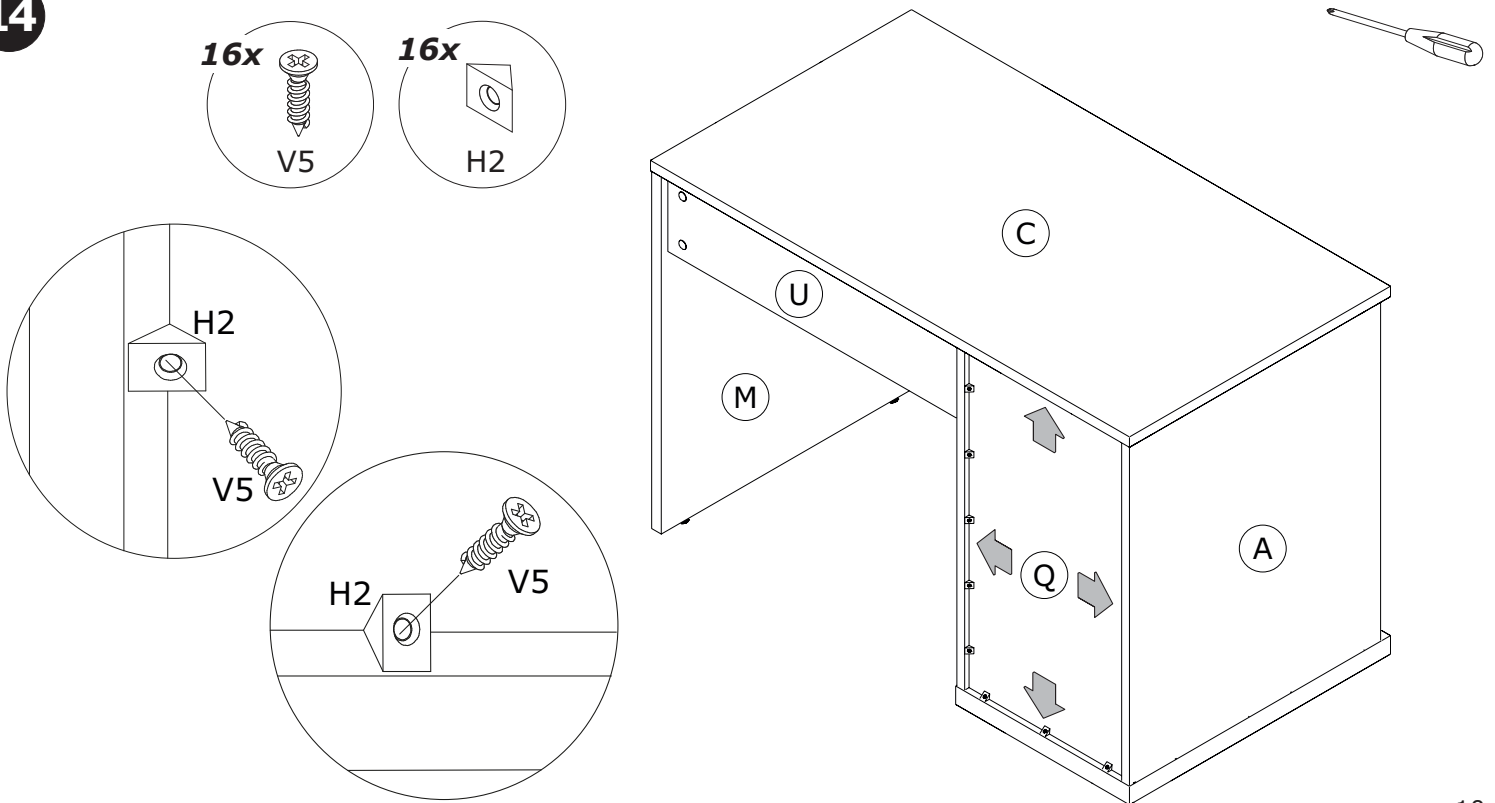
12



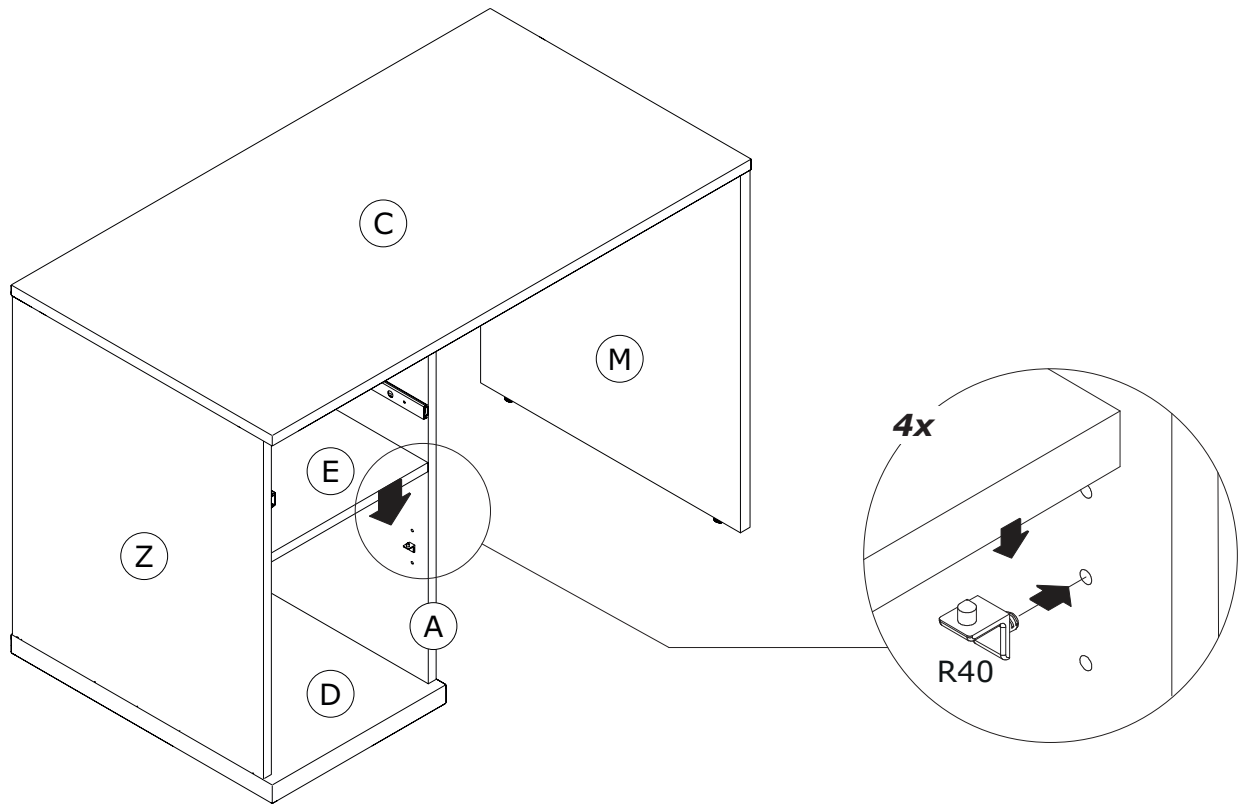
13



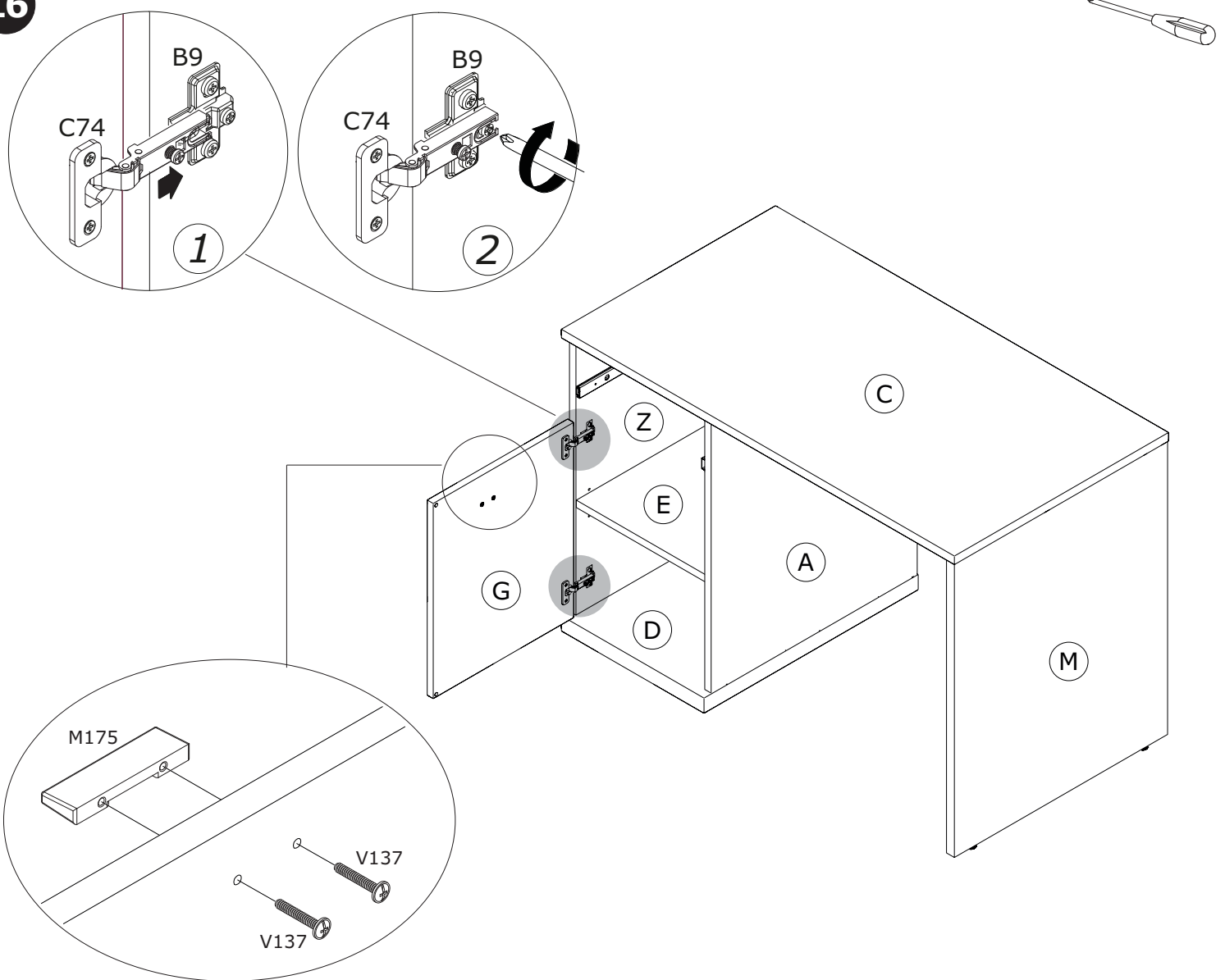
14



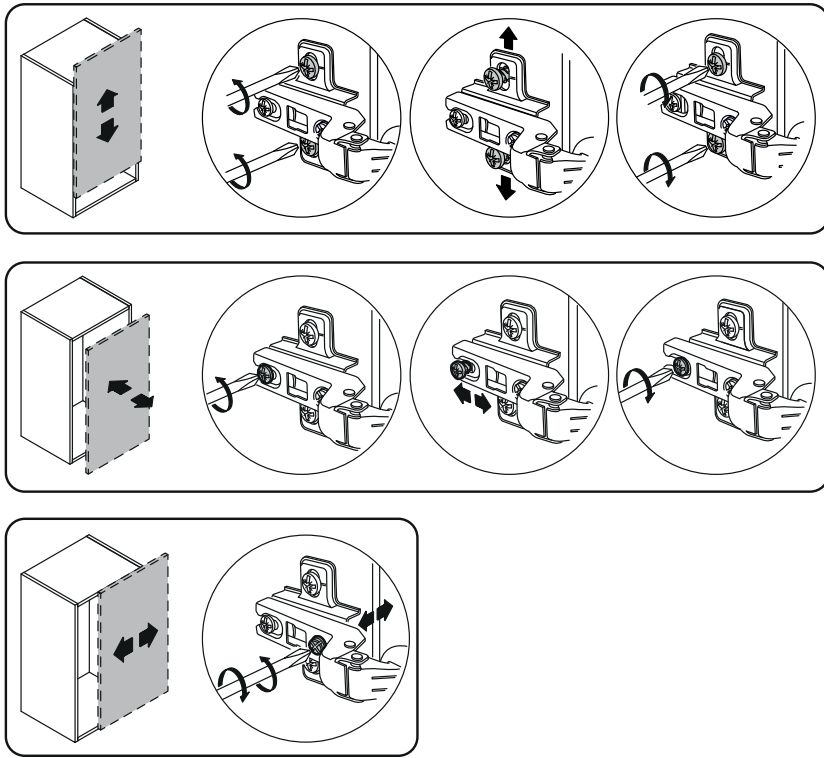
15



16



17



18

