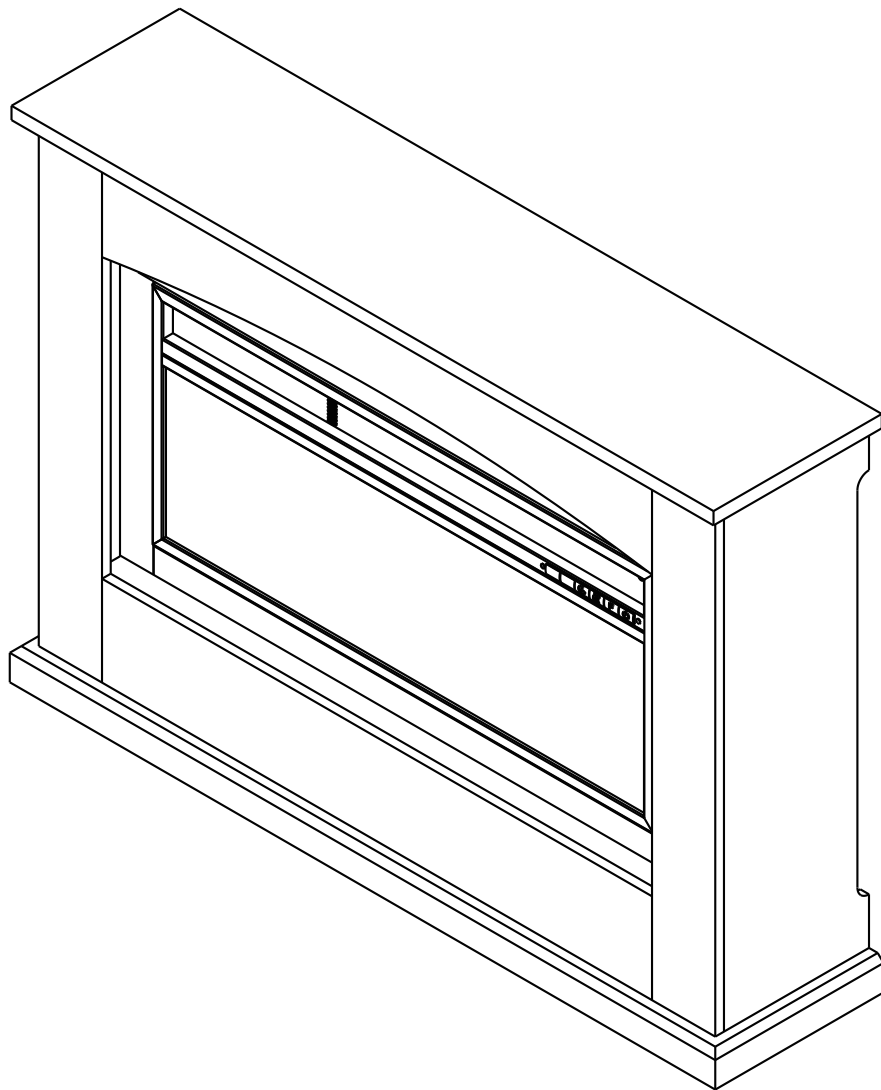
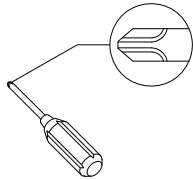


Instruction Manual

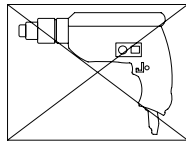


General Assembly Guidelines

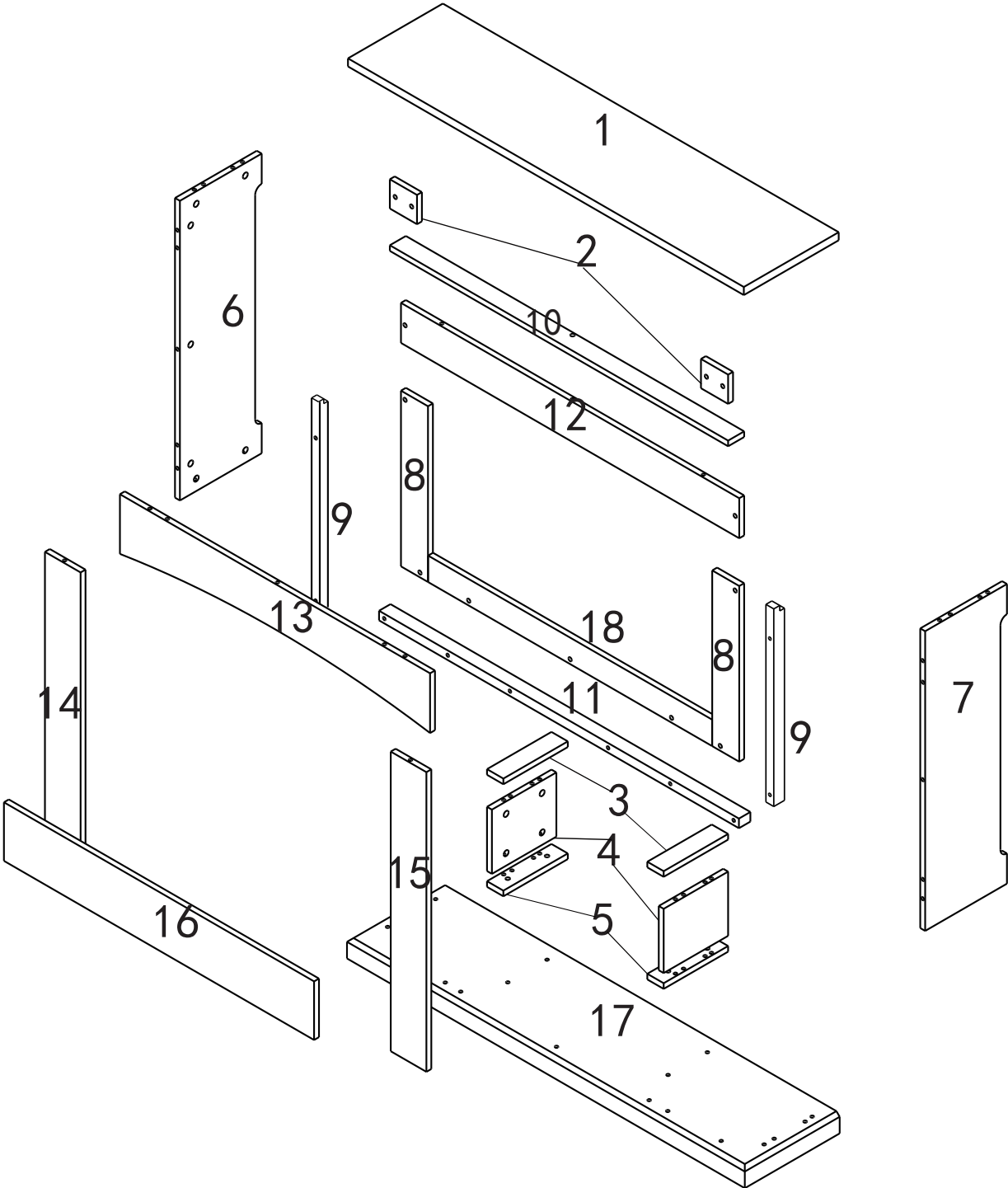
- I. Ensure that all parts and hardware are available before beginning assembly.
- II. Follow each step carefully to ensure the proper assembly of this product.
- III. Two people are recommended for ease in the assembly of this product.
- IV. The four main types of hardware used to assemble this product are: wood dowels, cam bolts and locks, bolts and screws.
- VI. A Phillips head screwdriver is required for the assembly of this product.



- VII. Power tools should not be used to assemble this product.



Partes List



Hardware List





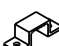


A			Cam lock	28 PCS
B			Cam bolt	28 PCS
C		Ø 4x20mm	Bolt	28 PCS
D		Ø8x40mm	Wood dowel	30 PCS
E				4 PCS
F		Ø3x10mm	Flat head screw	8 PCS
G				1 PCS

Fig.1

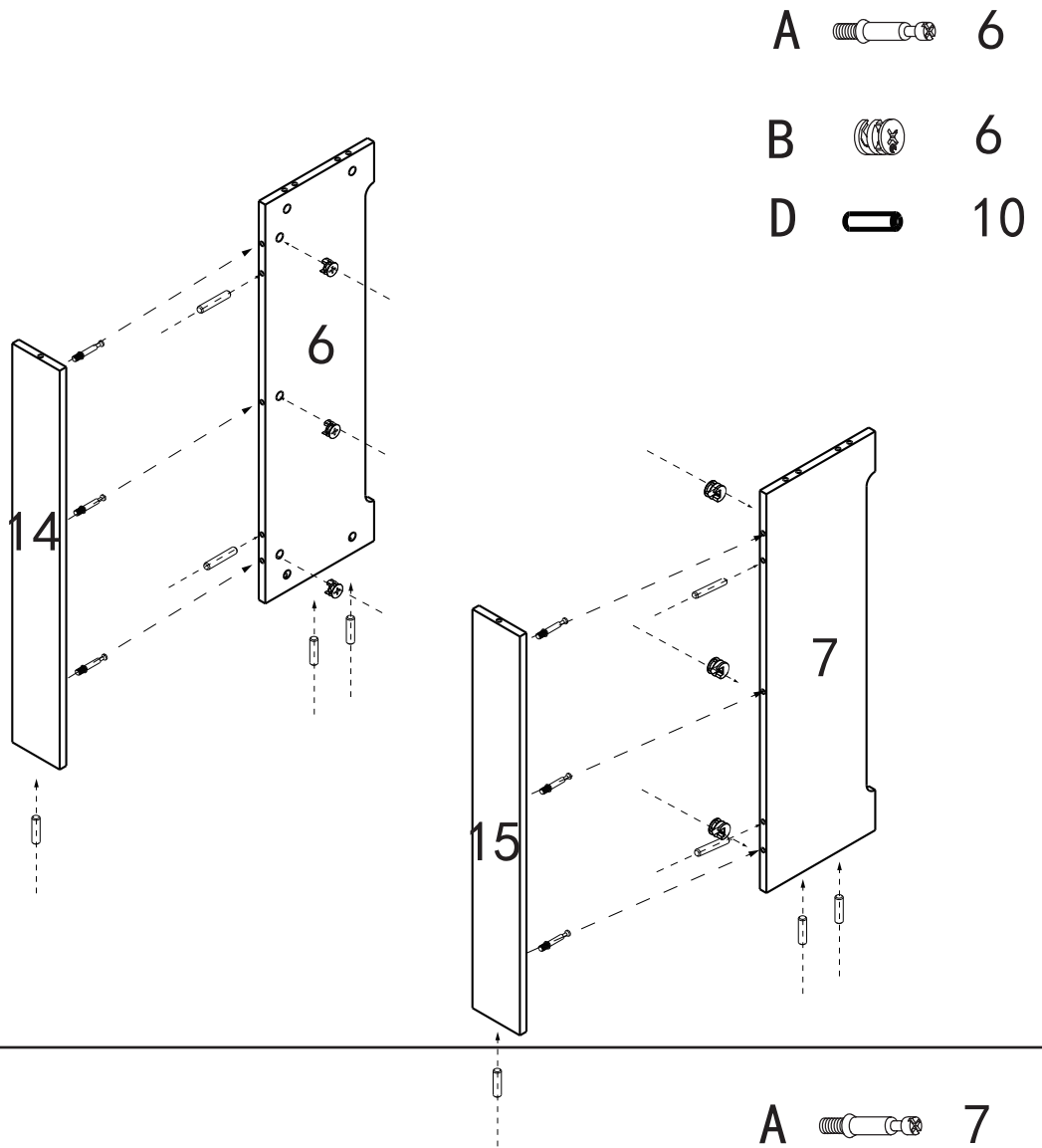


Fig.2

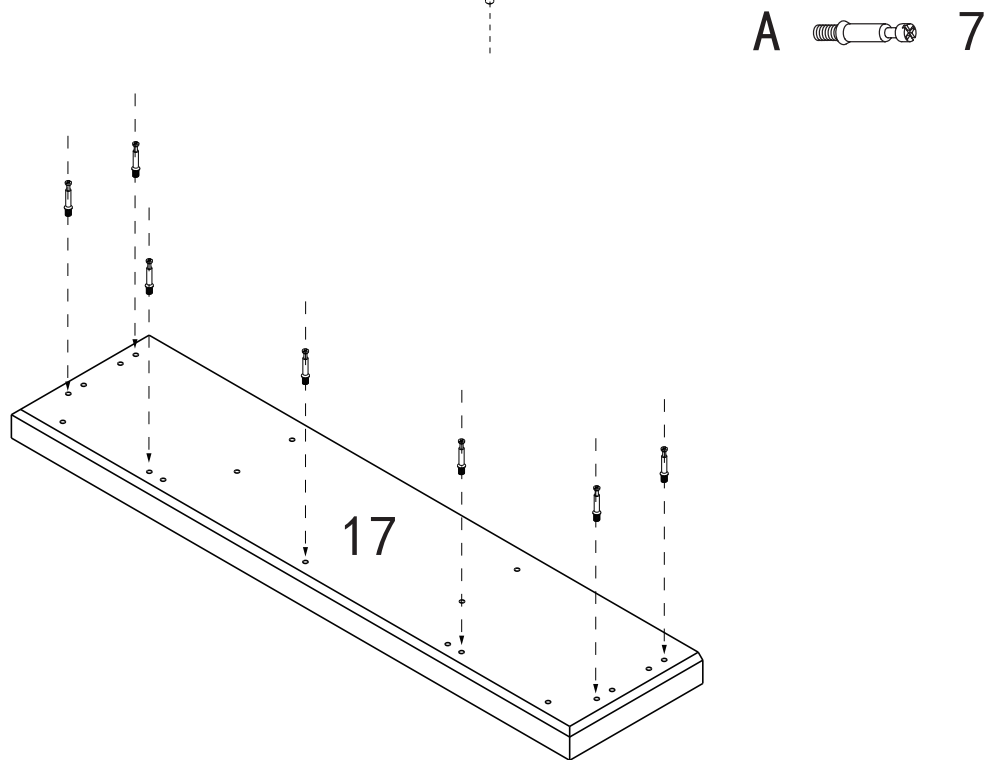
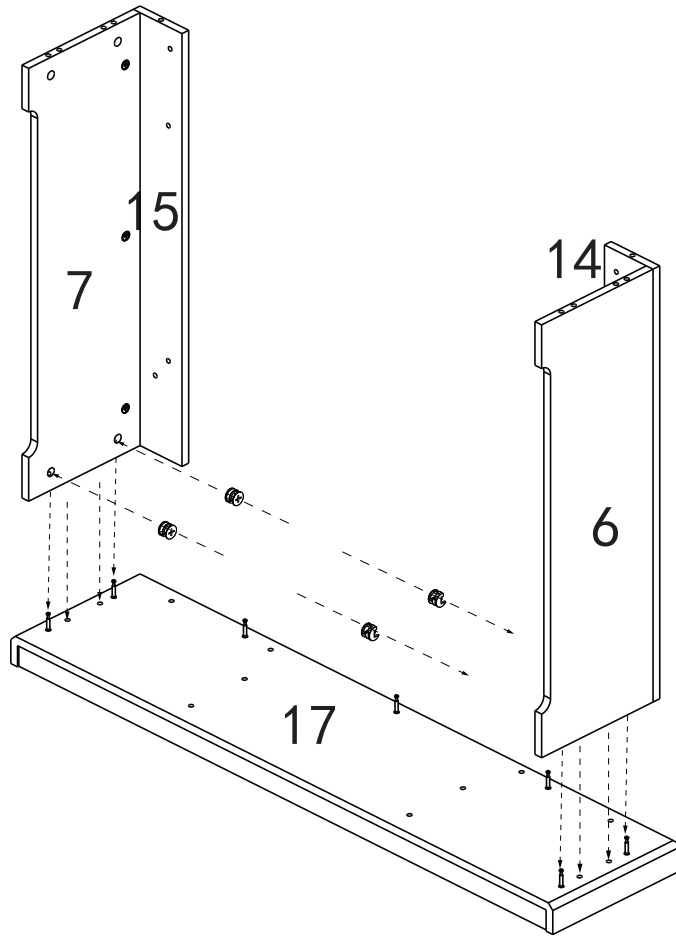
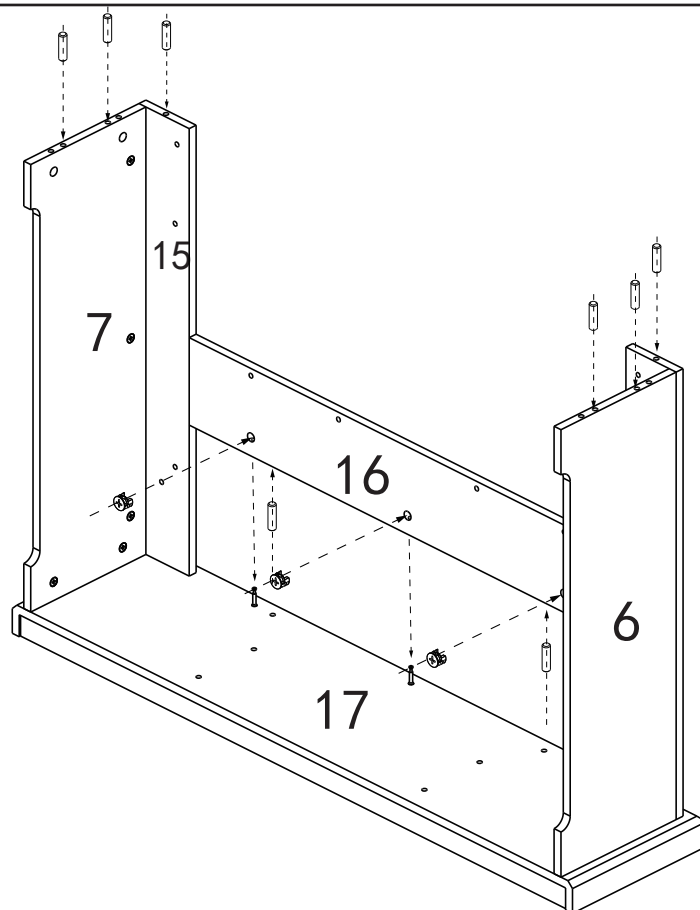


Fig.3

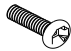


B  4



B  3
D  8

Fig.4

C  6

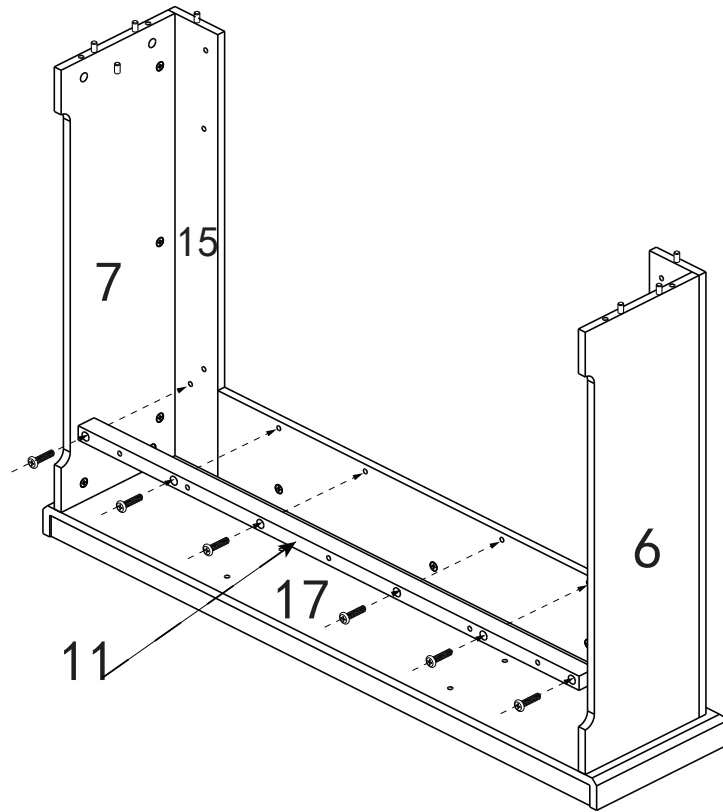
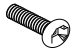


Fig.5

C  4

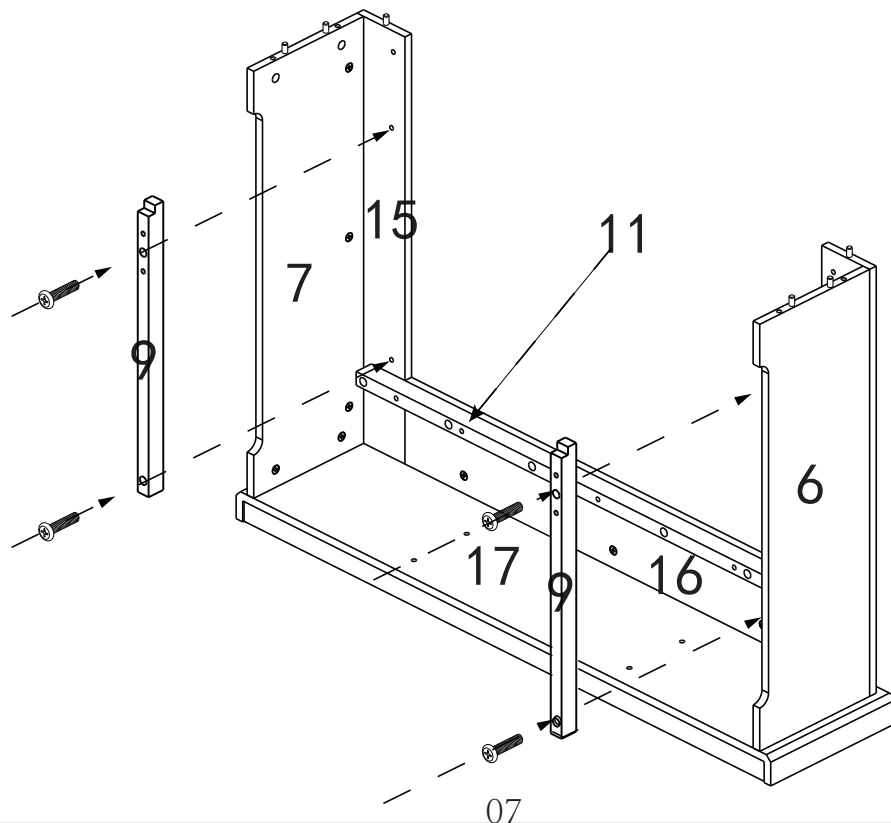



Fig.6

C  7

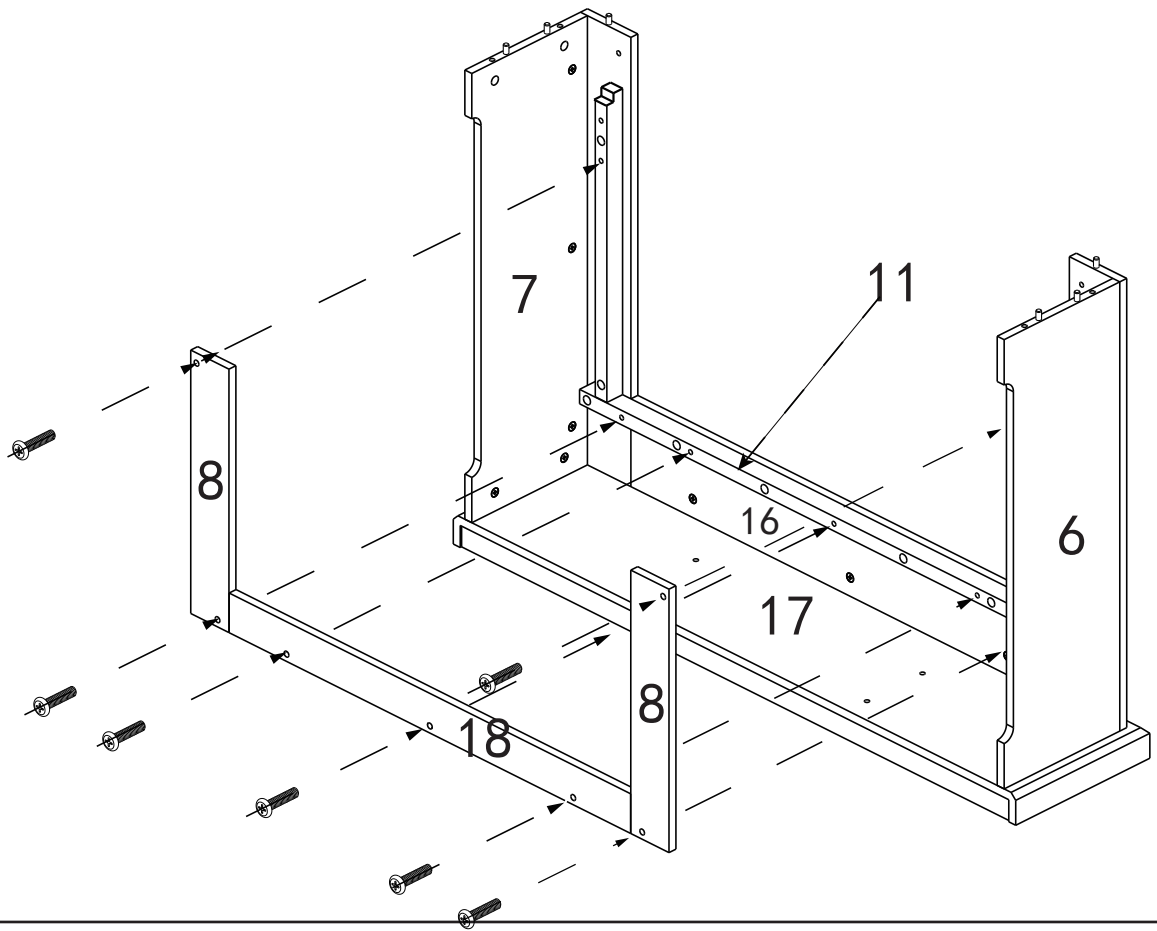





Fig.7

E  4
F  8
G  1

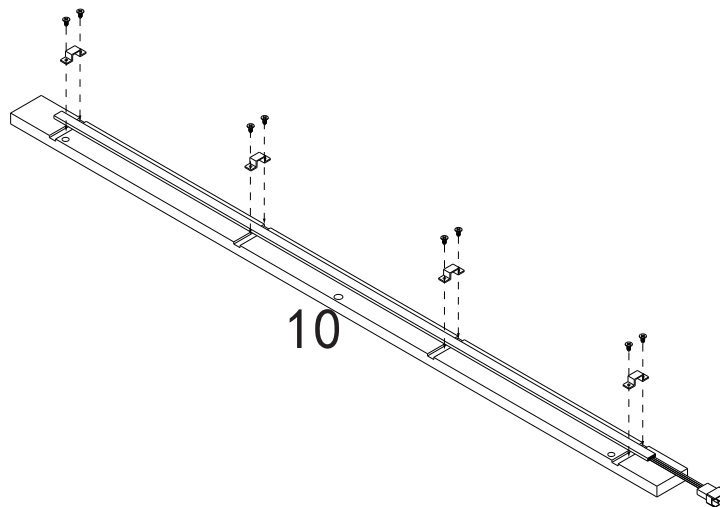
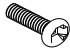



Fig.8

- C  3
- D  2

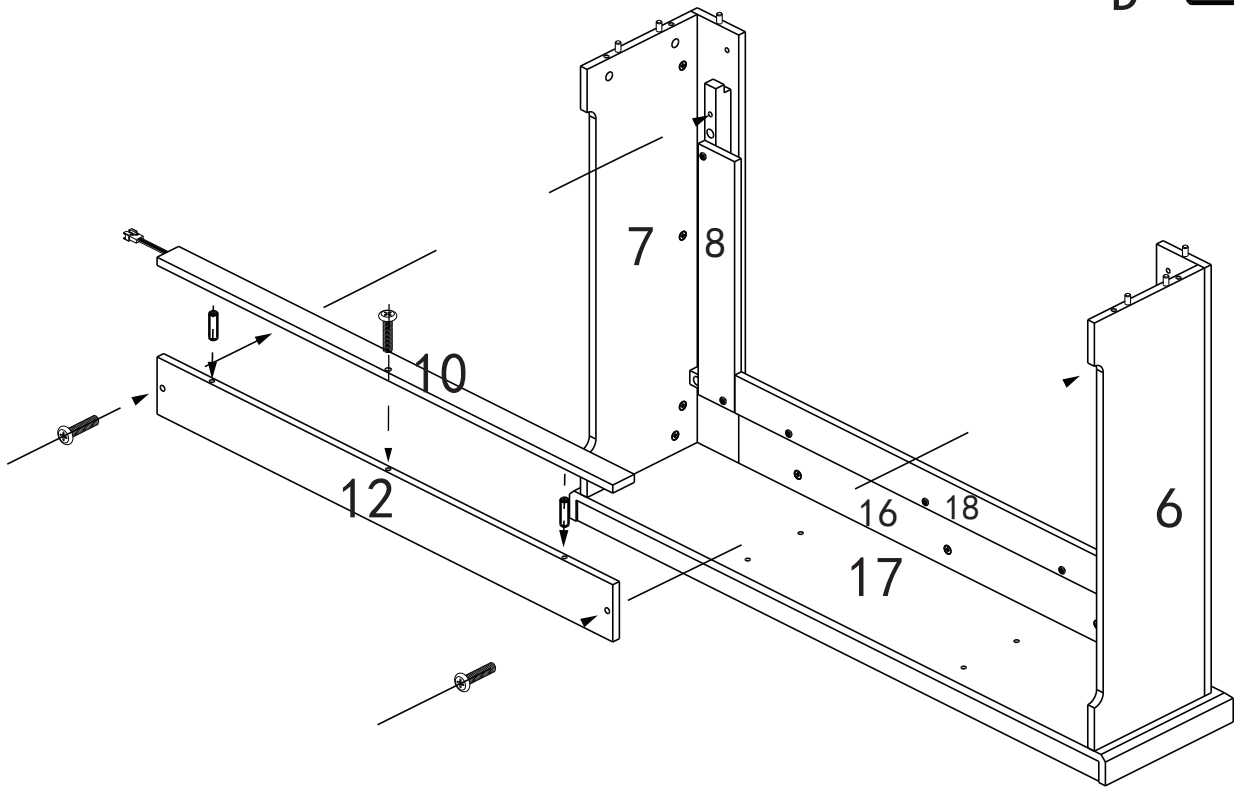


Fig.9

- C  4

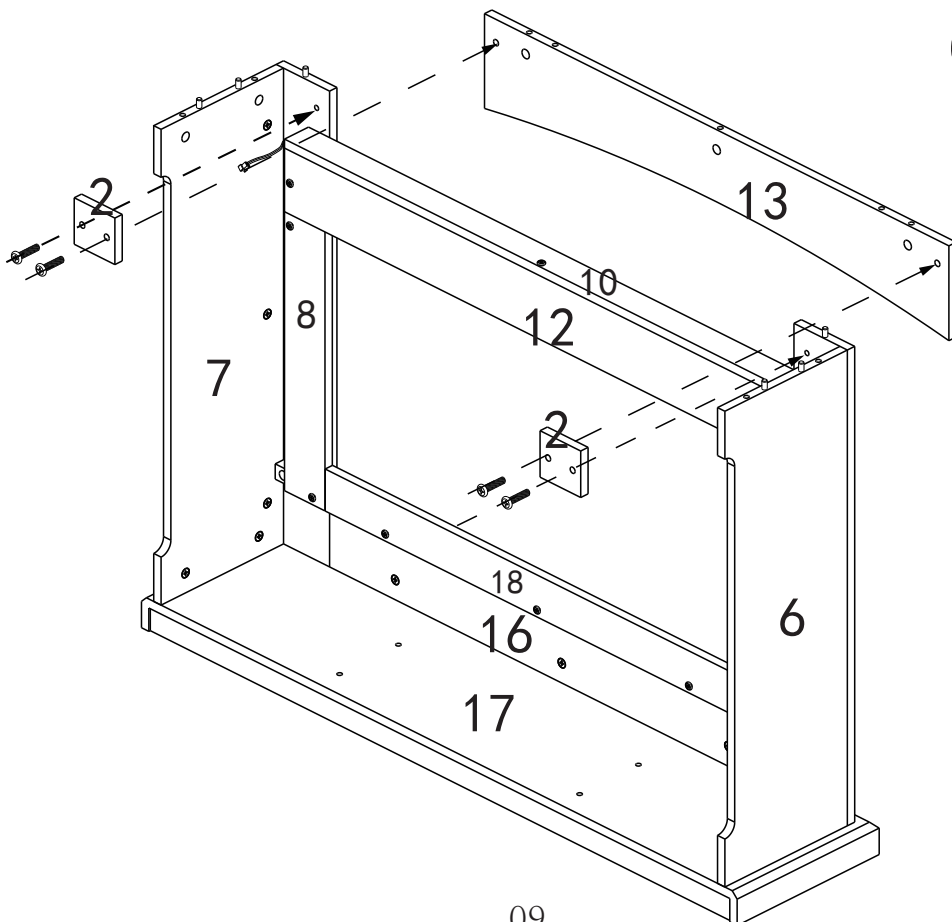





Fig.10

- A  4
- B  4
- D  8

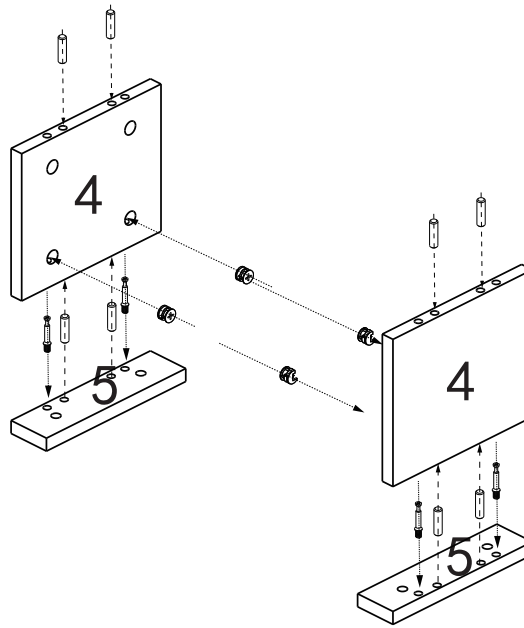


Fig.11

- C  4
- D  2

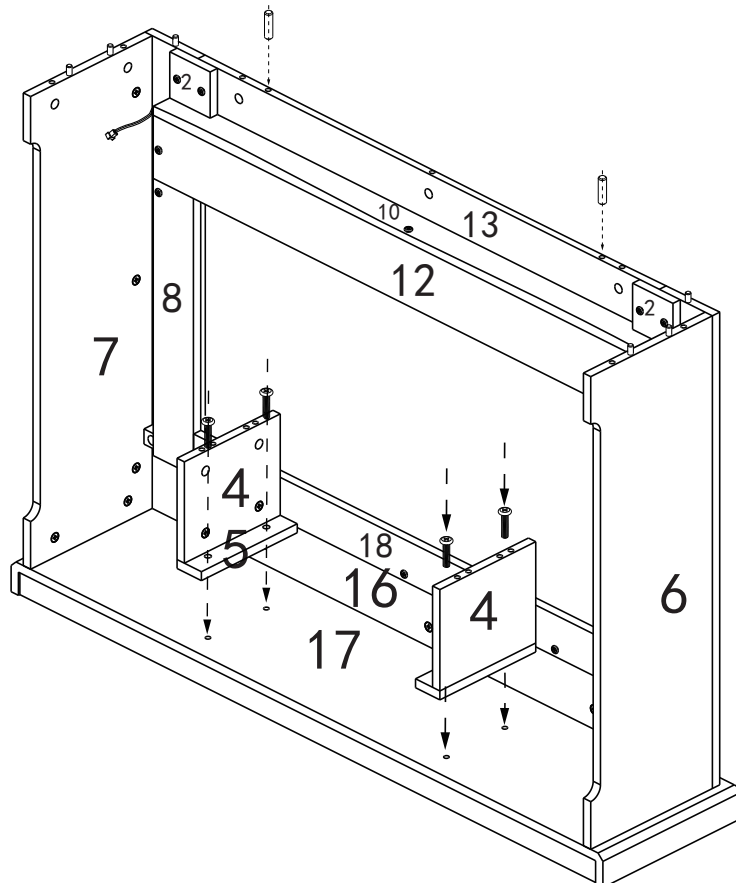
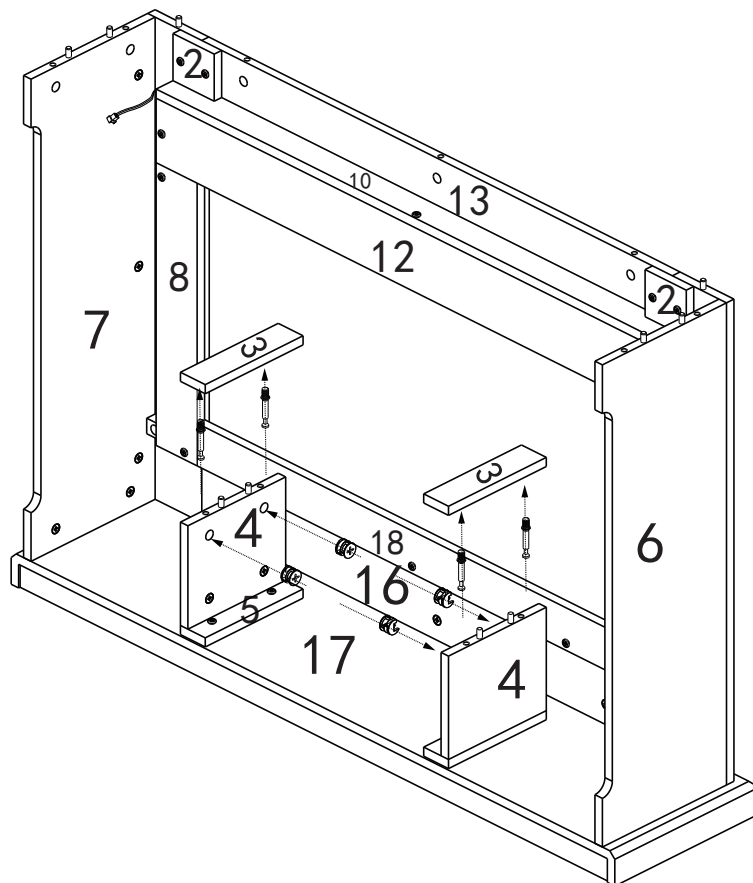
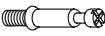


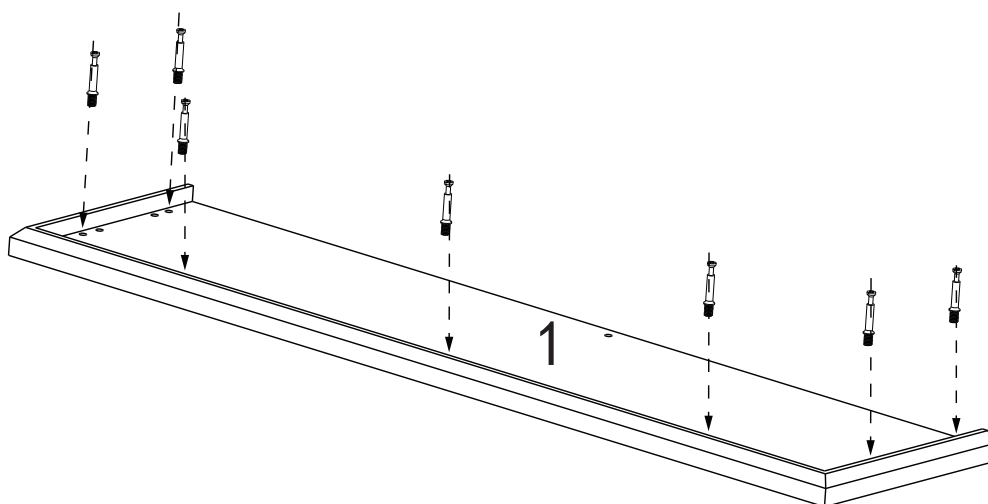
Fig.12



A  4

B  4

Fig.13




A  7

Fig.14

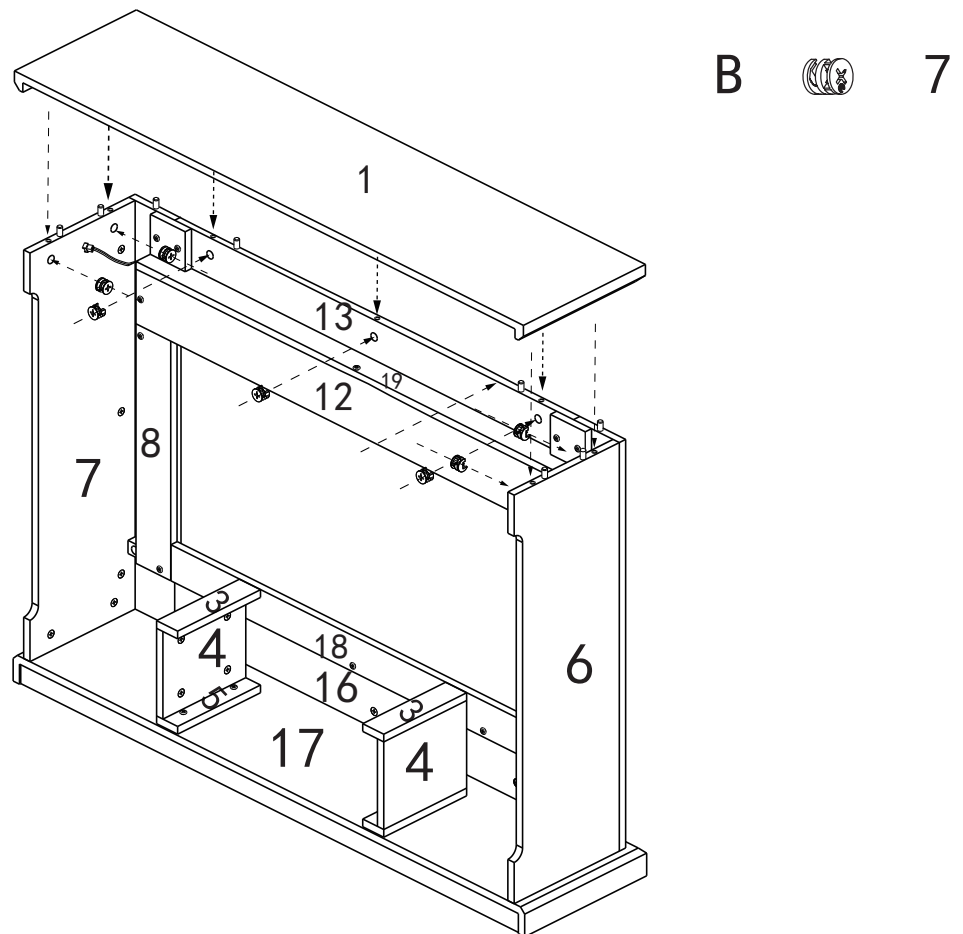


Fig.15

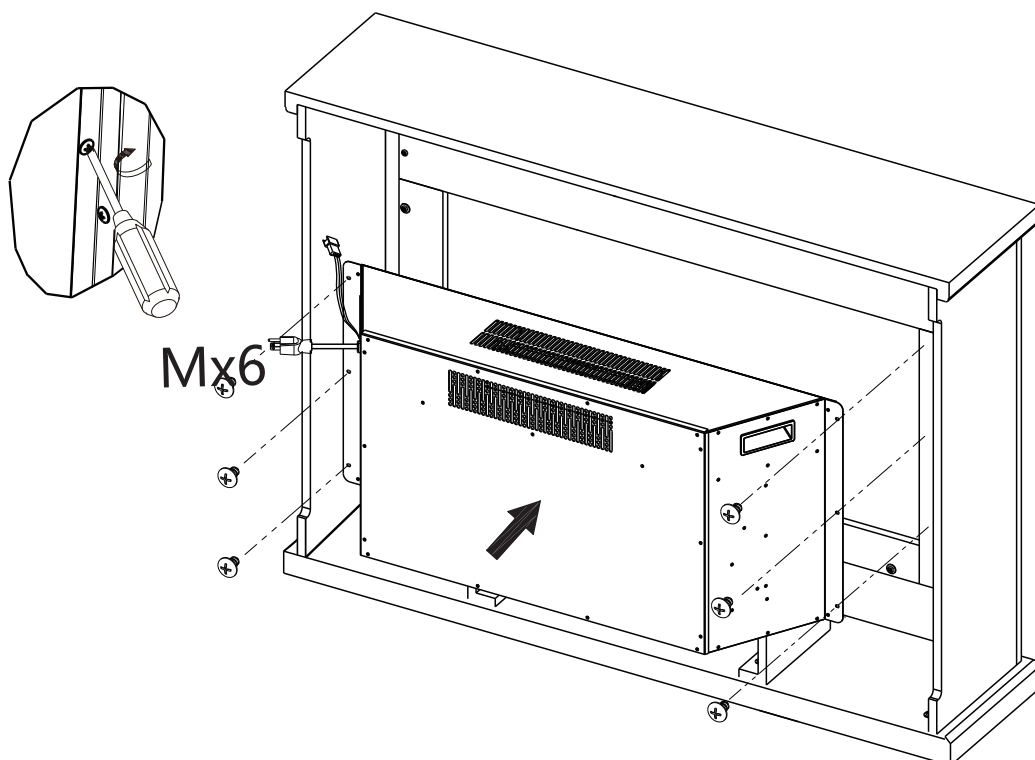


Fig.16

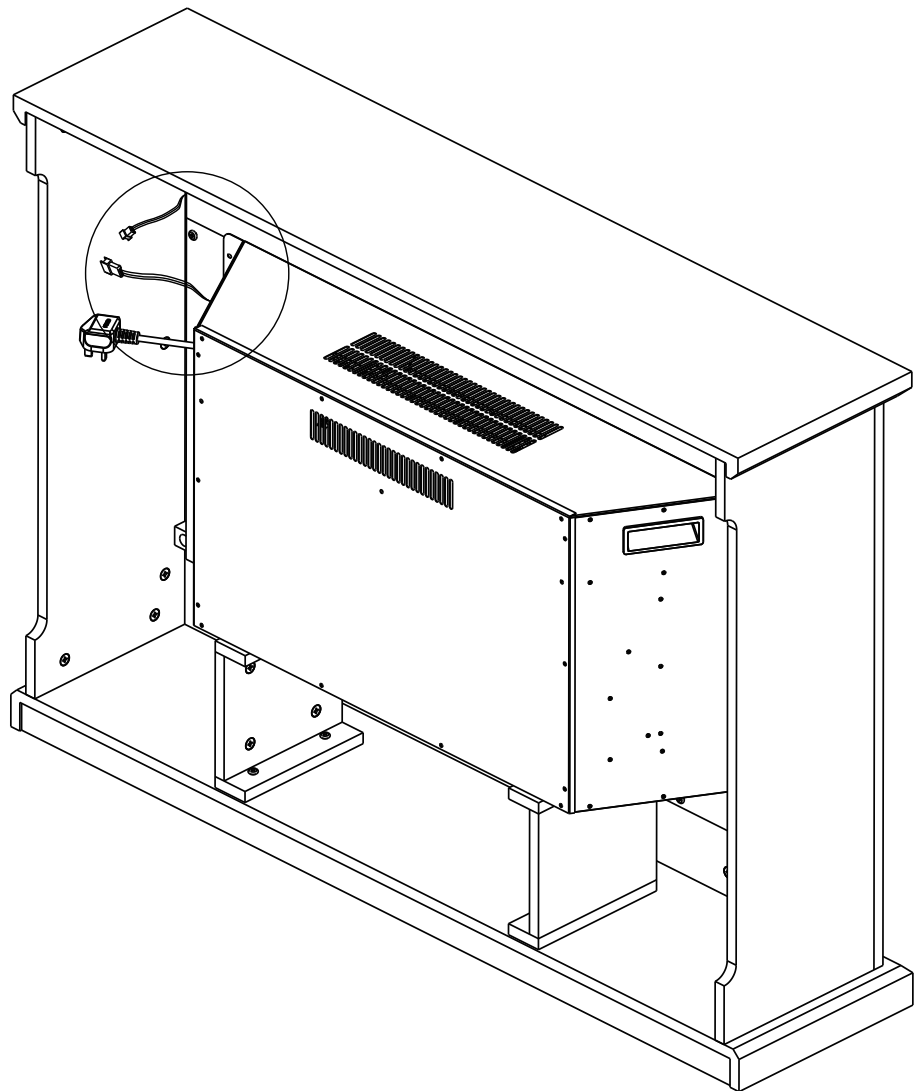
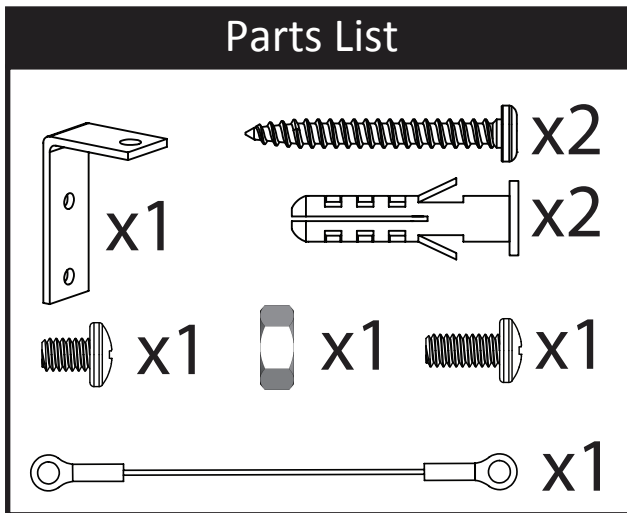


Fig.15

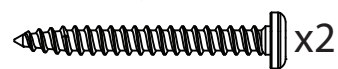
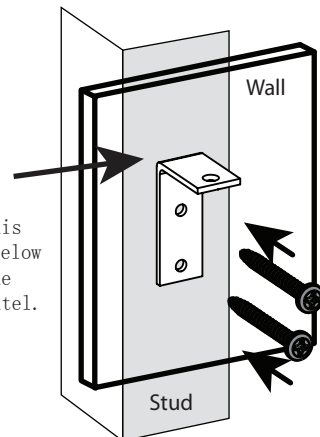
Anti-Topple Device Installation

Parts List



1.

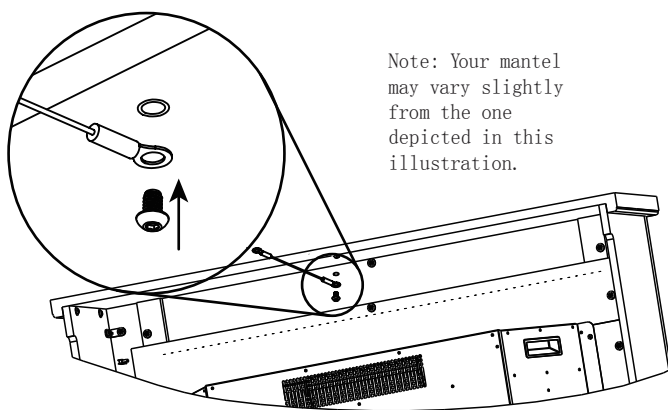
Note: Locate the top of this bracket 3" below the top of the assembled mantel.



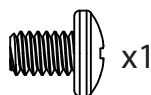
NOTE

If a stud is not accessible, use the included drywall anchors to secure the wall bracket.

2.



Note: Your mantel may vary slightly from the one depicted in this illustration.



3.

