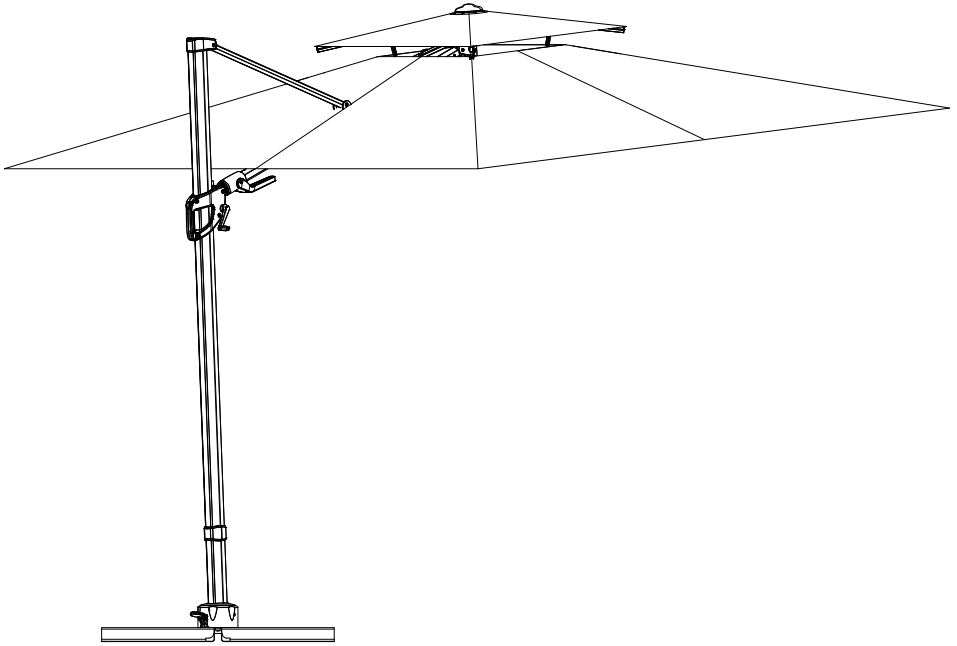
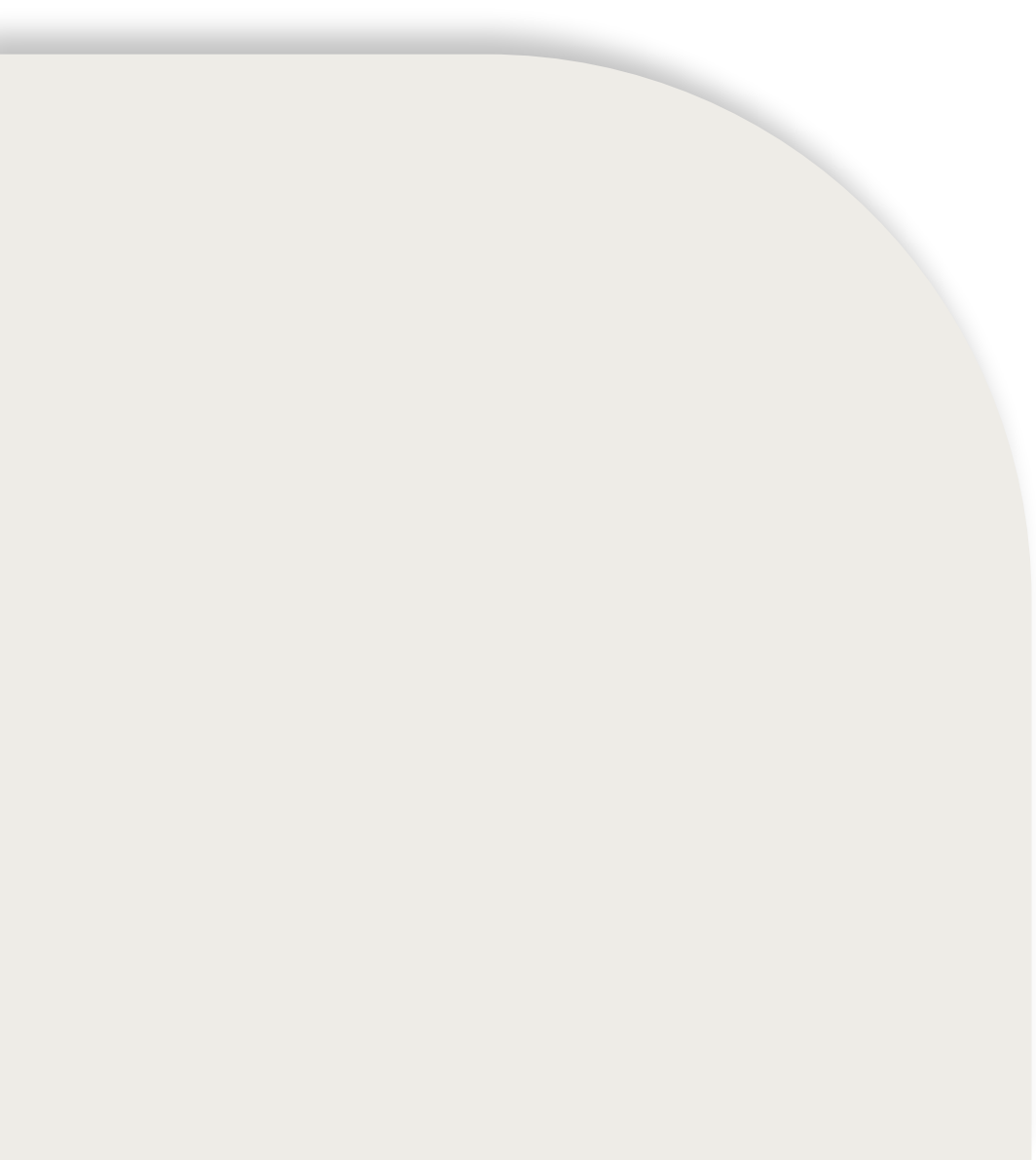


Installation Manual

10' DOUBLE TOP
SQUARE CANTILEVER UMBRELLA

Gentle Chic Collection





Attention

Thank you for choosing our product. We have meticulously crafted these user-friendly instructions to streamline your product setup process. For further assistance, please visit the "Contact Us" section on our official website at lausaint.com.

You are also welcome to reach out to our dedicated customer service team via email at customerservice@lausaint.com. Your satisfaction is our priority.

PREPARATION

Please read and understand this entire manual before attempting to assemble, operate or install the product.

PREPARATION

The product is packed in one box to ship.

Before assembly, make sure all parts are present. Compare parts with package contents list and hardware contents list.

If any part is missing or damaged, do not attempt to assemble the product.

Estimated Assembly Time: 40 minutes

WARNING!

- Tighten each bolt firmly and properly. Do not completely tighten the screws until all screws are started.
- Some parts may contain sharp edges. Wear protective gloves as necessary.
- Children under the age of 16 should not be engaged in the assembly, removal or disassembly of the product.
- Children under the age of 10 should be supervised by a competent adult while using this furniture.
- Please keep children out of the assembly area during assembly.
- This set is heavy, and may require two adults for safe assembly.
- Never use this product as support. Do not shake, lean, or climb on the product at any time.



Attention

CARE AND MAINTENANCE

- Before using, clean the product completely with a soft, dry towel.
- When not in use, wipe away dirt or loose objects, wash with a mild solution of soap and water, rinse and dry completely.
- Do not use strong detergents or abrasive cleaners.
- Store the product in a cool, dry location away from sunlight.



CAUTION!

- Retain these instructions for future reference.
- Paint on this product might peel off if it is hit or used improperly.
- Use and carry this item with care and apply touch-up paint (not included) when necessary.
- This outdoor furniture is designed and made for personal non-commercial use.
- This item should not be used as a toy or a tool.
- Do not locate the product near any heat source.

WARRANTY

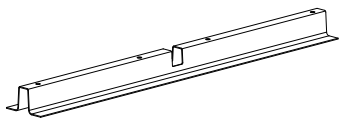
This warranty is extended to the original purchaser and applies to defects in materials and workmanship of your patio furniture provided your furniture is maintained with care and used only for personal, residential purposes.

The frame is warranted to be free from defects in material or workmanship for one (1) year.

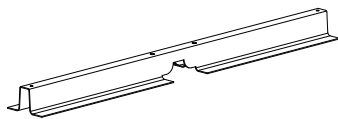
The fabric is insured for one (1) years against defects in material or workmanship.



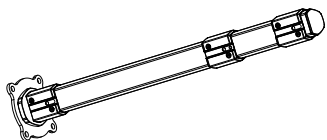
Component List



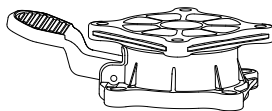
A x1



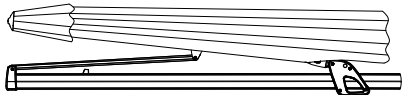
B x1



C x1



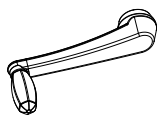
D x1



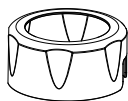
E x1



F x1



G x1

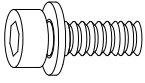


H x1

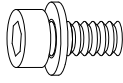


J x1

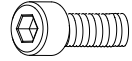
Component List



AA x (4 + 1)
(M10 X 30)



BB x (4 + 1)
(M10 X 22)



CC x (1 + 1)
(M6 X 15)



DD x 1
(S5)

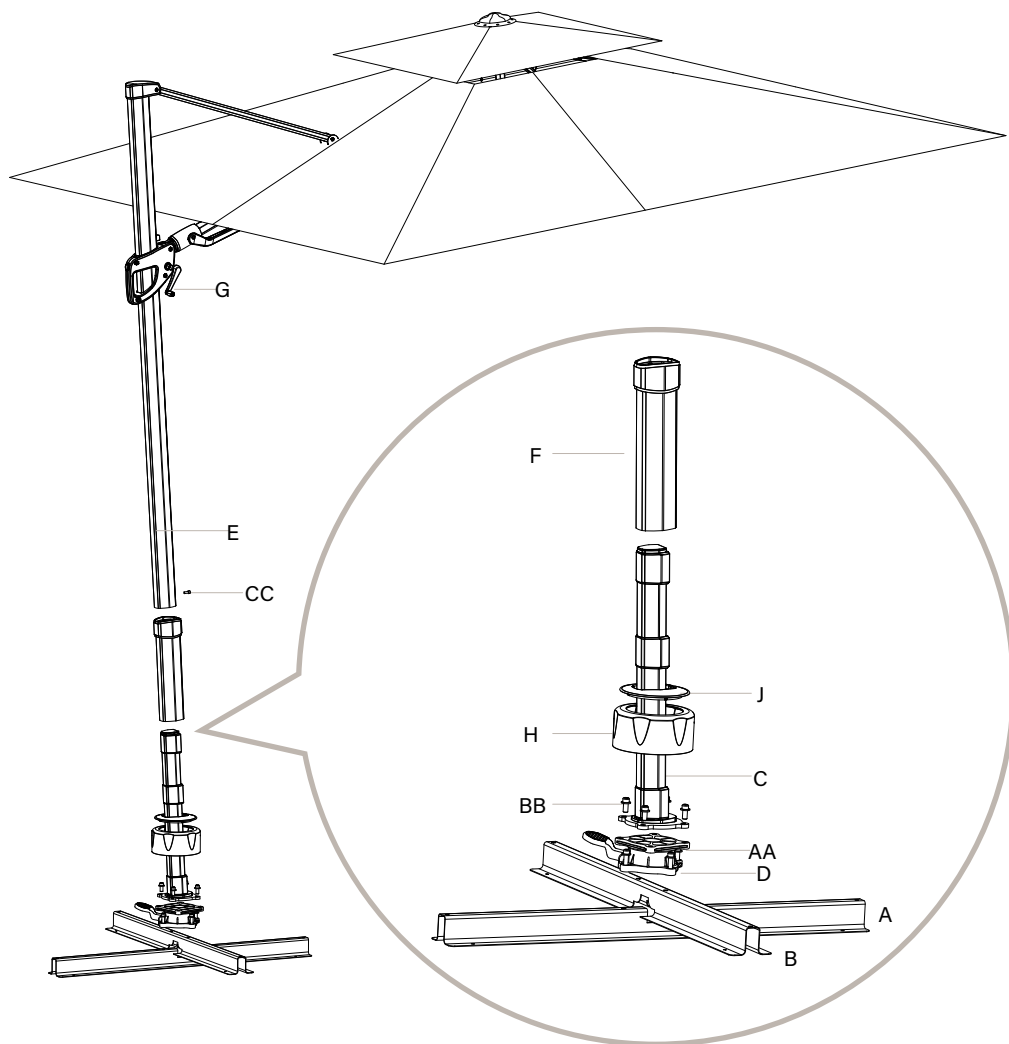


EE x 1
(S8)

DO NOT FULLY TIGHTEN ALL SCREWS UNTIL ASSEMBLY PROCESS IS COMPLETE.

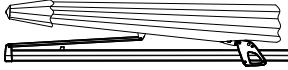


Parts

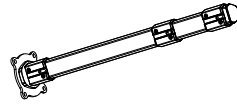


Product Assembly

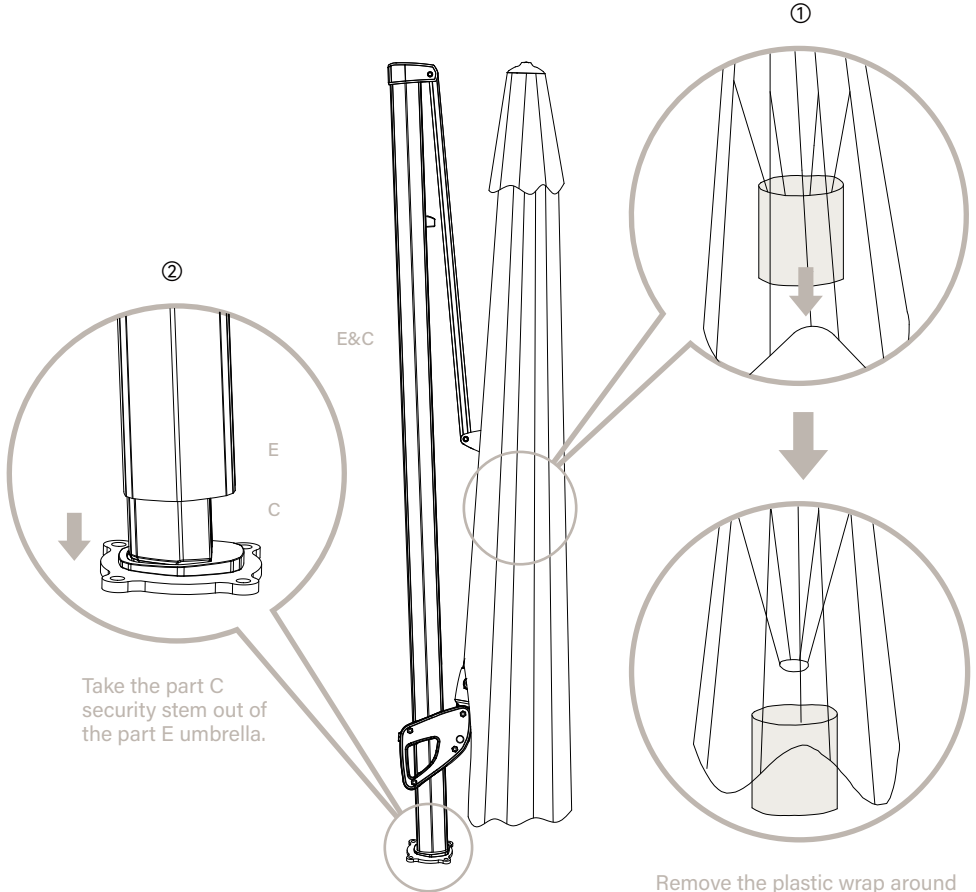
1.1



E



C



①

E&C

E

C

Take the part C security stem out of the part E umbrella.

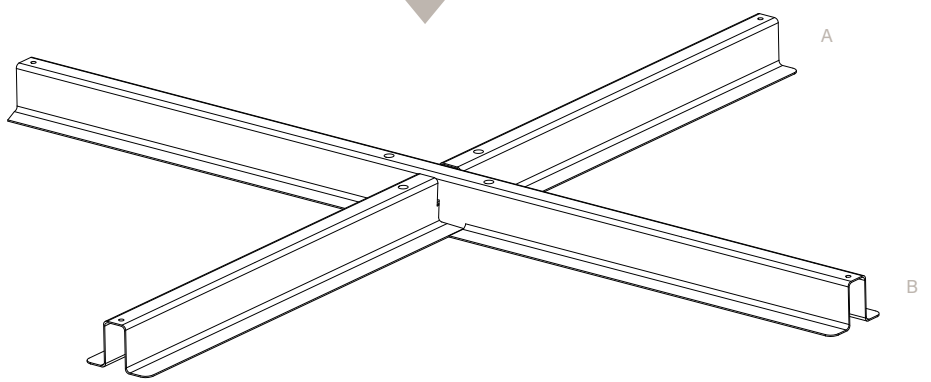
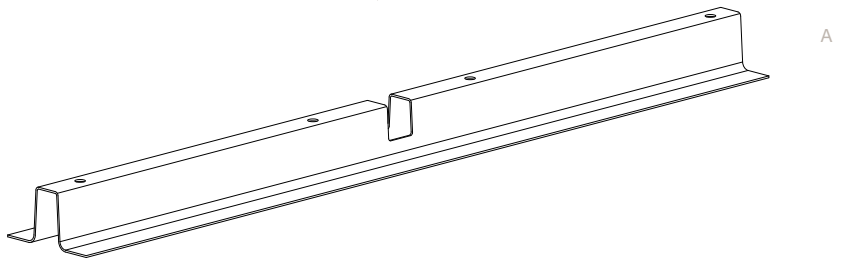
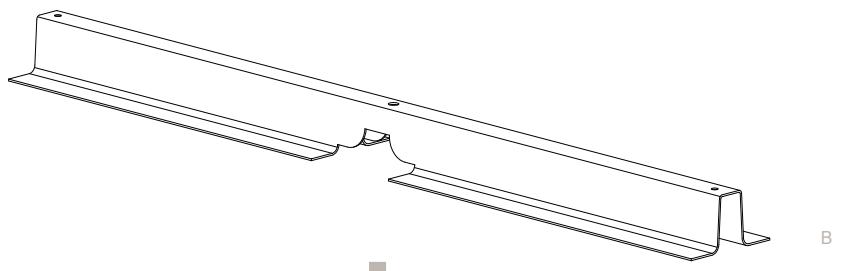
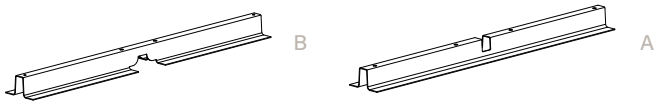
Remove the plastic wrap around ribs and the cardboard on the center hub.



Please note that if not follow the instructions may result in the umbrella not opening properly or even causing damage.



1.2



1.3



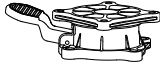
S8 EE



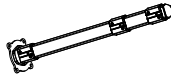
M10 X 22 BB (x4)



M10 X 30 AA (x4)



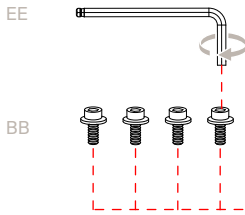
D



C

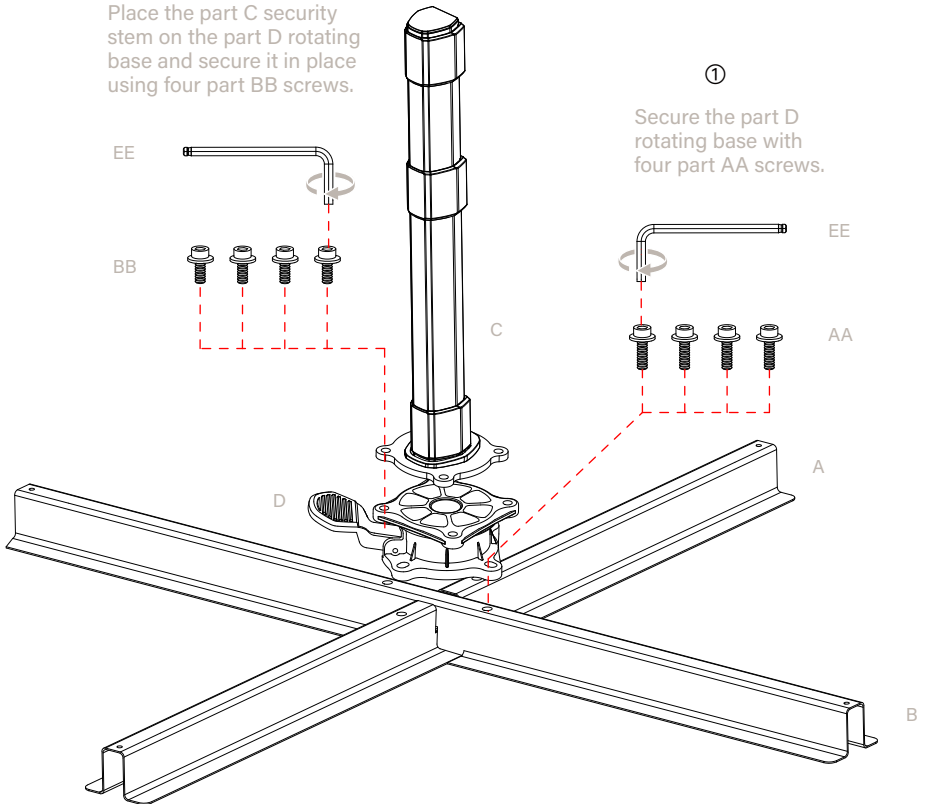
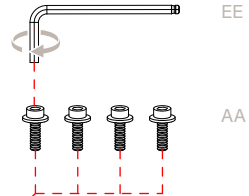
②

Place the part C security stem on the part D rotating base and secure it in place using four part BB screws.



①

Secure the part D rotating base with four part AA screws.



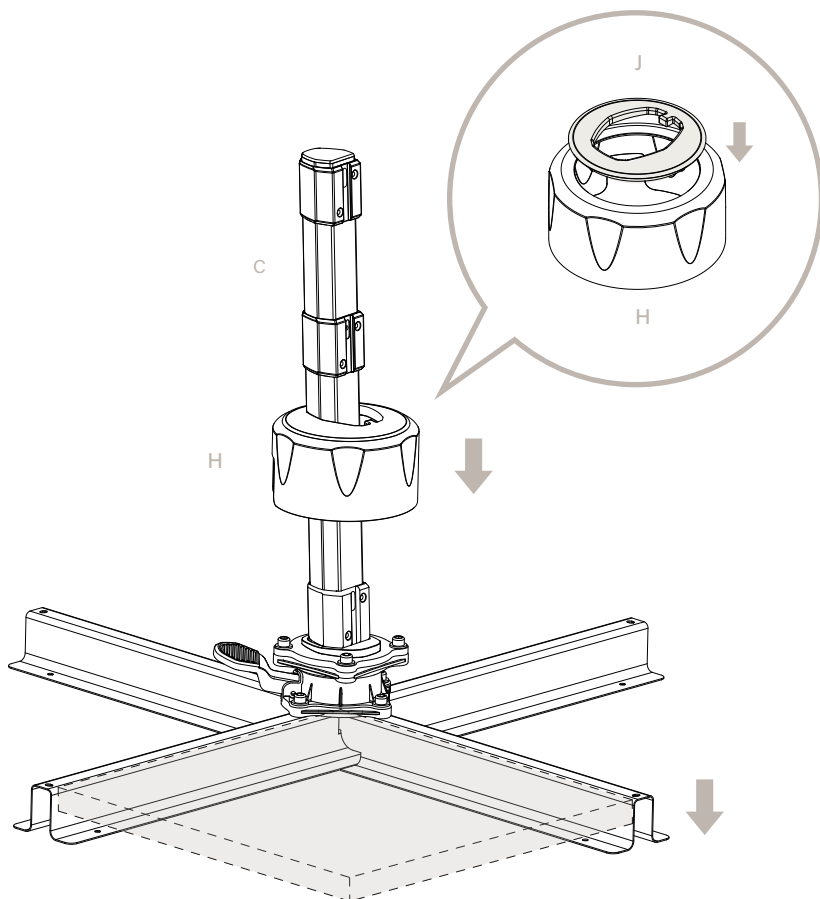
1.4



J



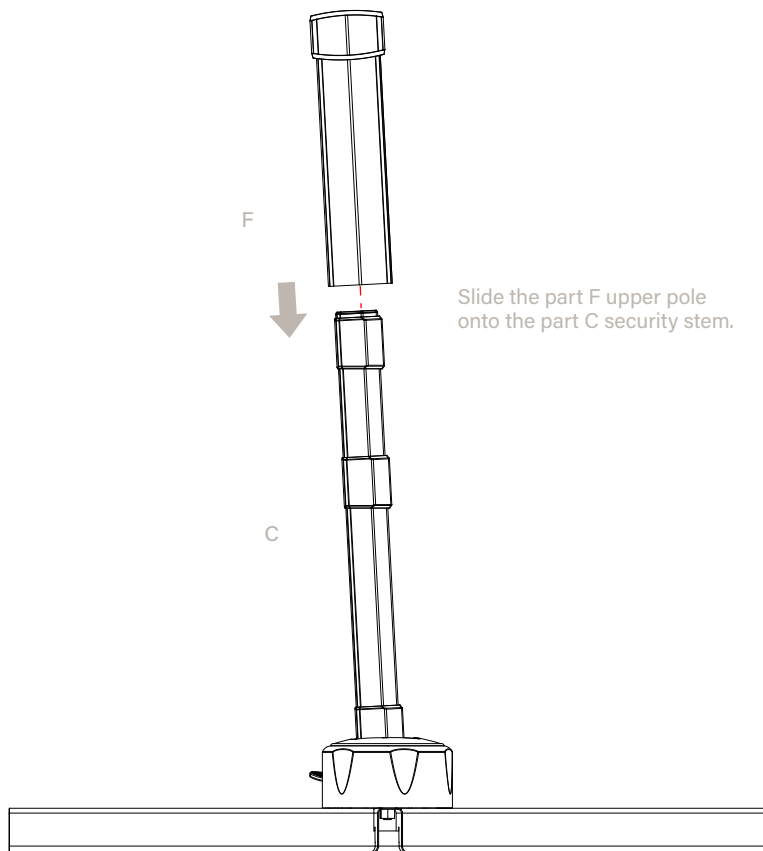
H



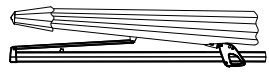
NOTE: It needs to be secured with a weighted base (SOLD SEPARATELY) or other weights like bricks and sandbags at least **265 lbs.**



F



1.6



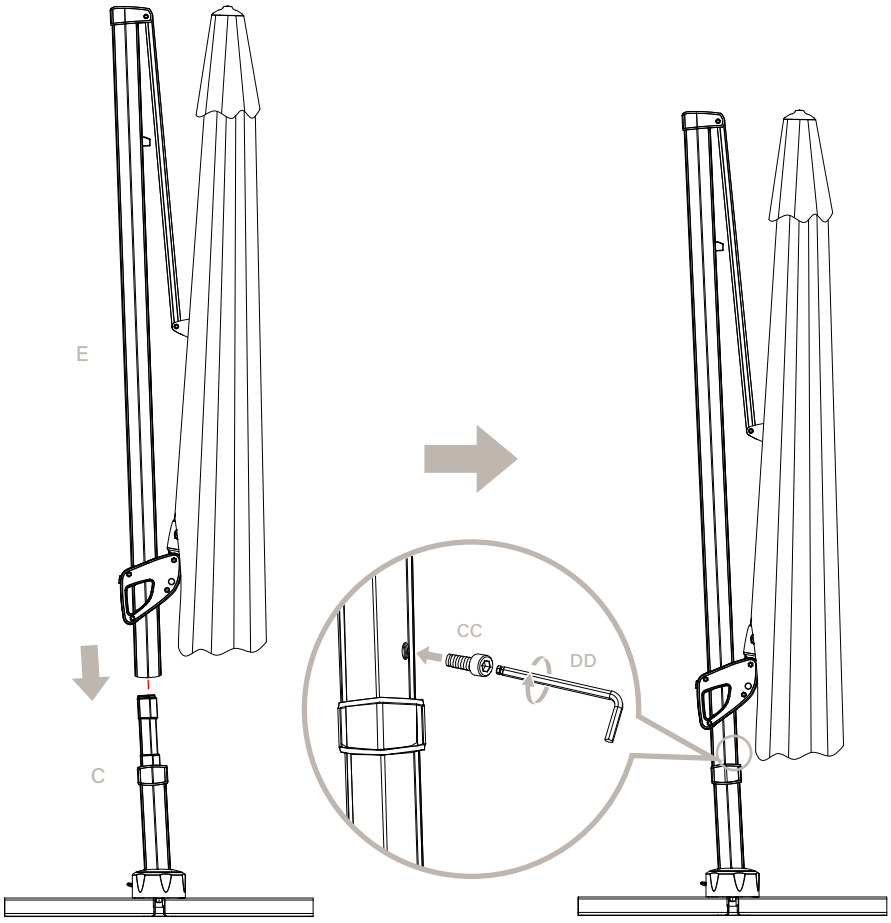
E



S5 DD

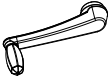


M6 X 15 CC



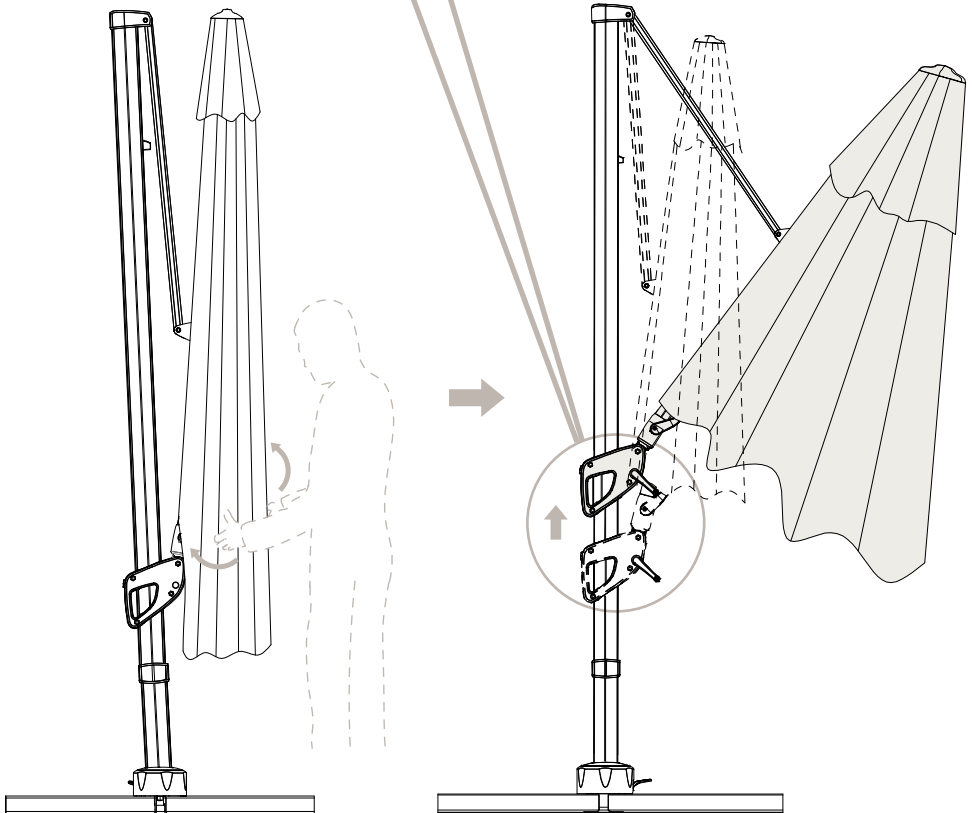
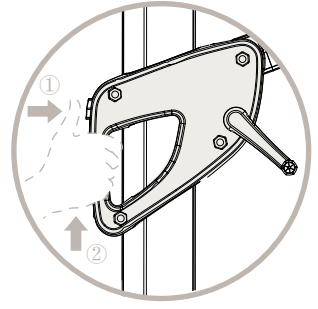
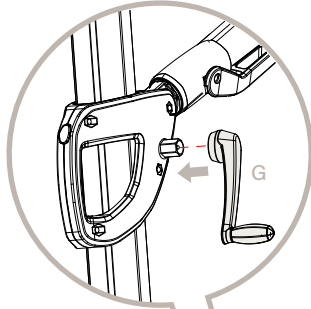
Operating Instructions

2.1



G

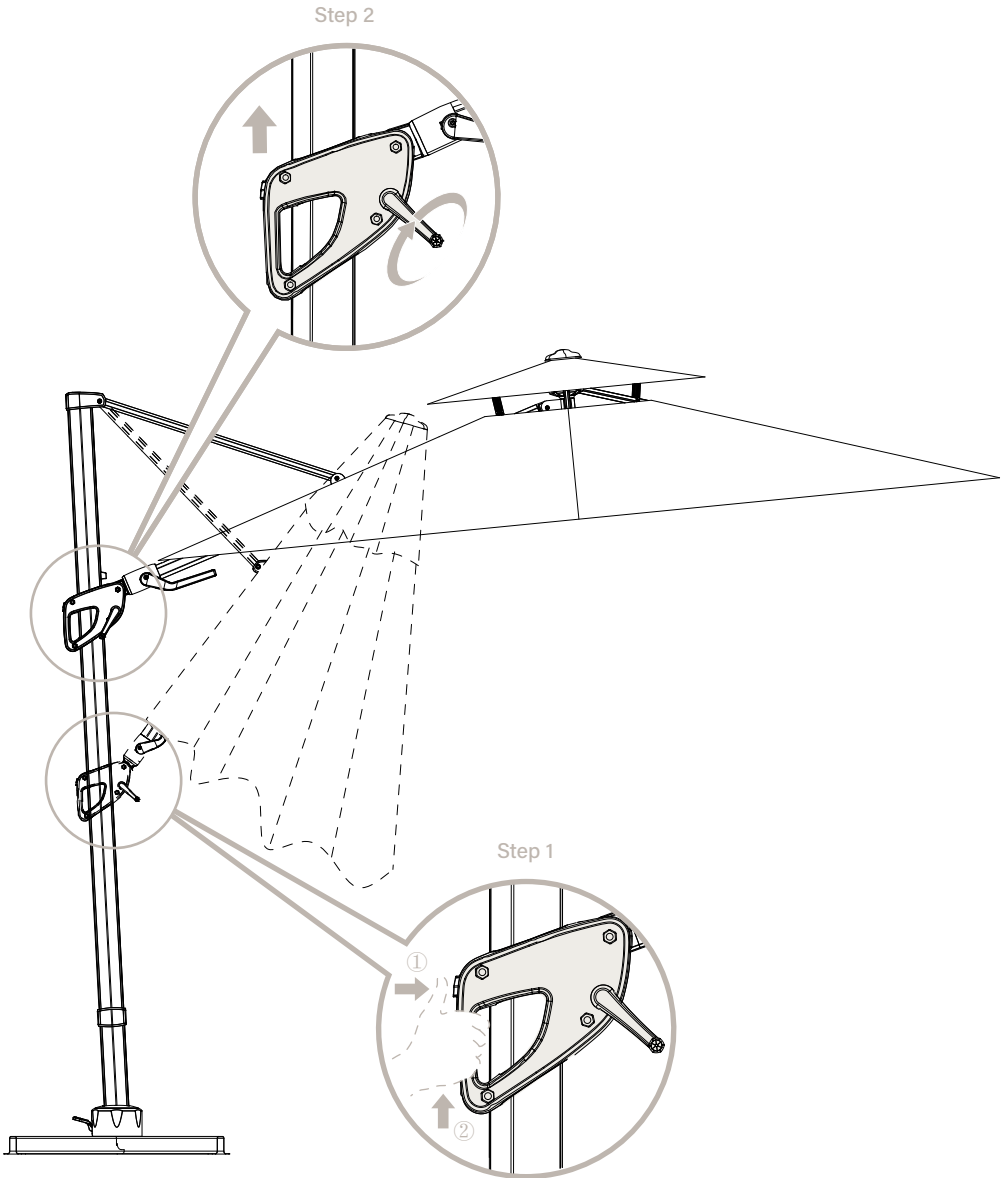
Gently separate each rib individually from center hub approx. 10 inches. If rib does not move easily do not force, check product for additional packaging.



2.2

Step 1:
Press and move the handle up to the proper
position, then release the button to lock.

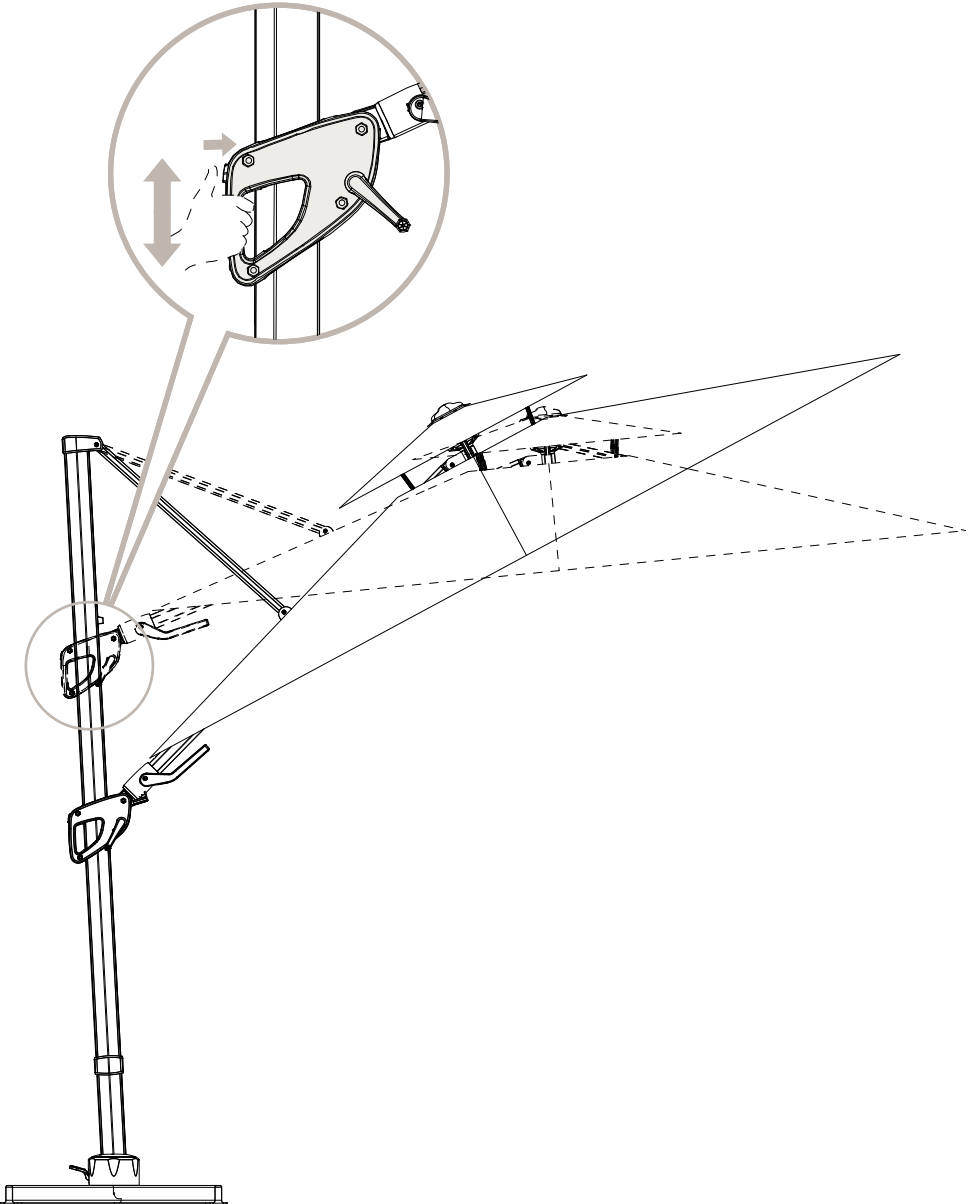
Step 2:
Turn the crank clockwise to
open the canopy.



Adjusting Height

3.1

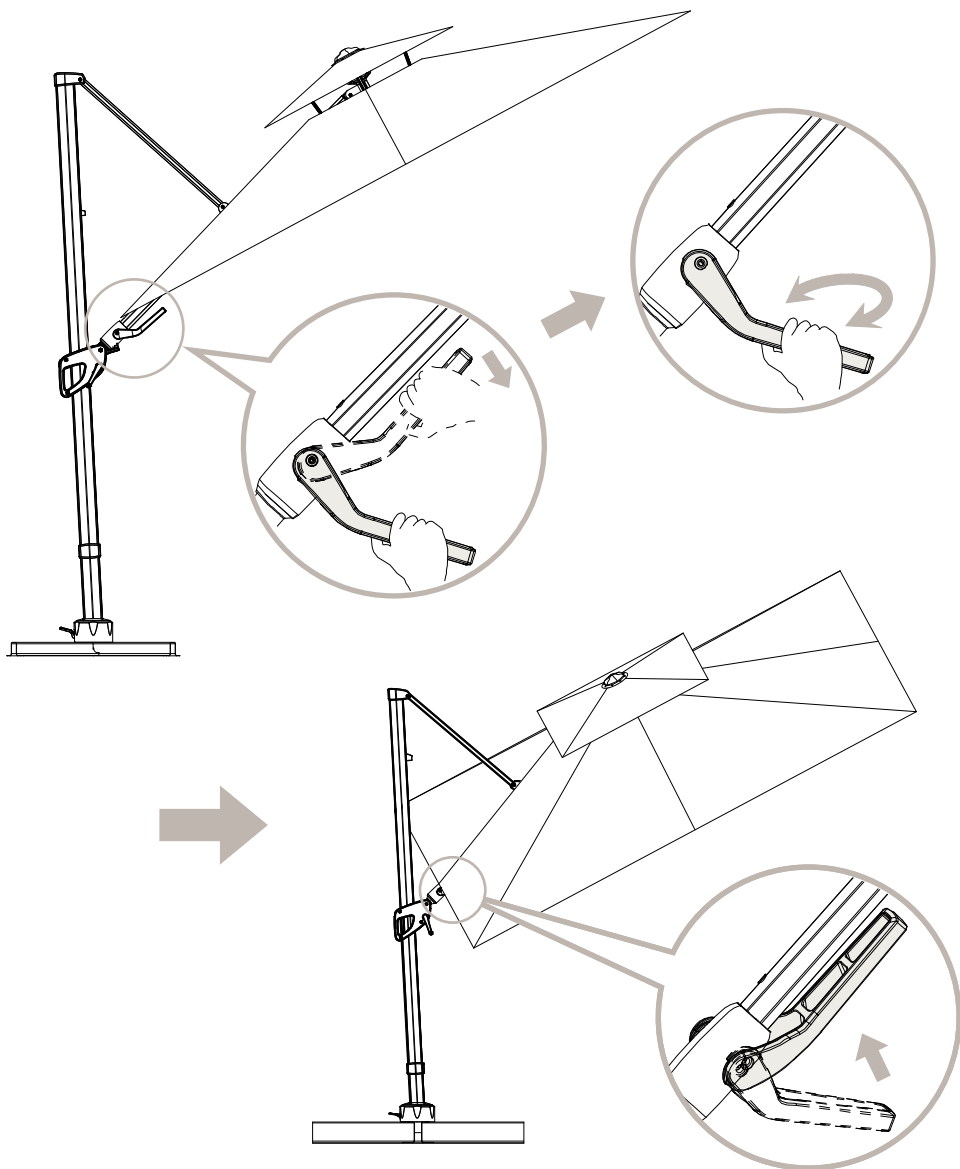
The umbrella can be fixed at any position on the track by the handle.



Adjusting Tilt

4.1

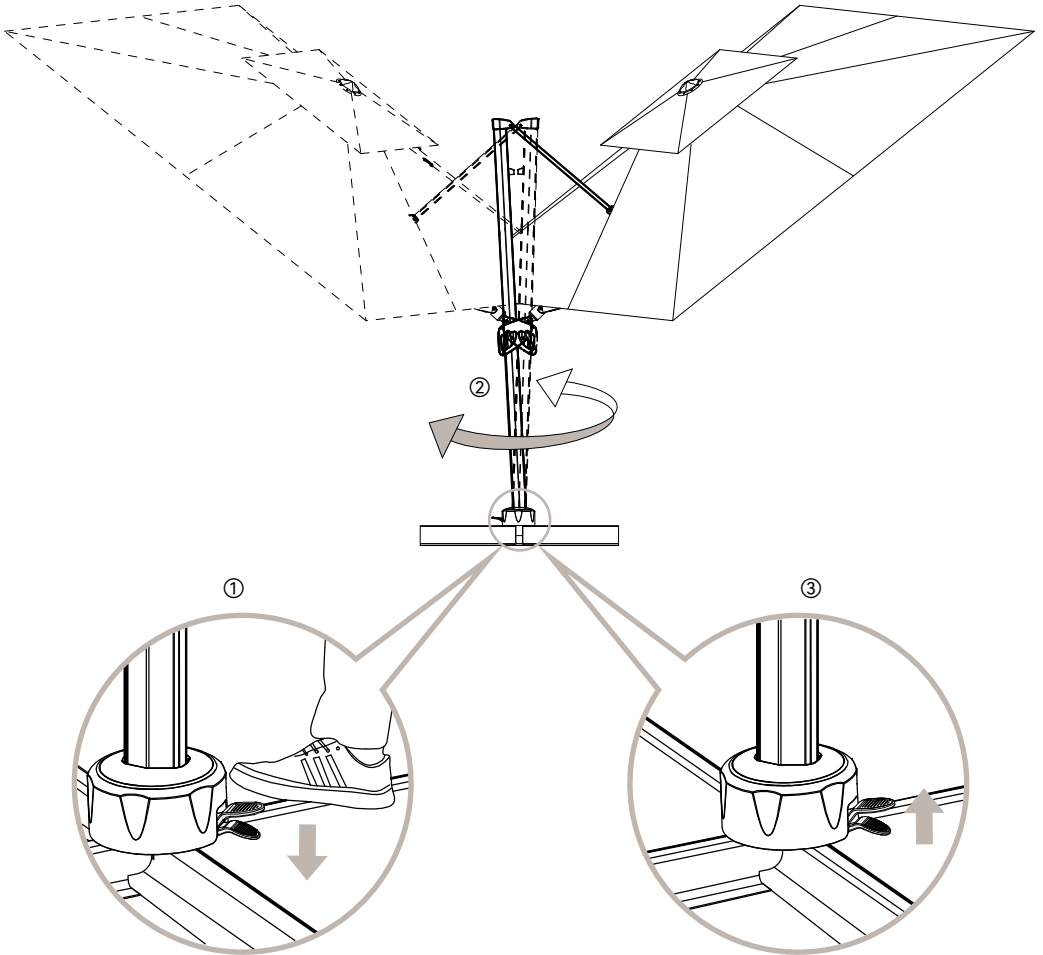
With one hand, pull down the long handle, while gently pulling the umbrella canopy with the other hand to adjust it to the proper position. Then, push the long handle back to lock it in place.



Rotating Canopy

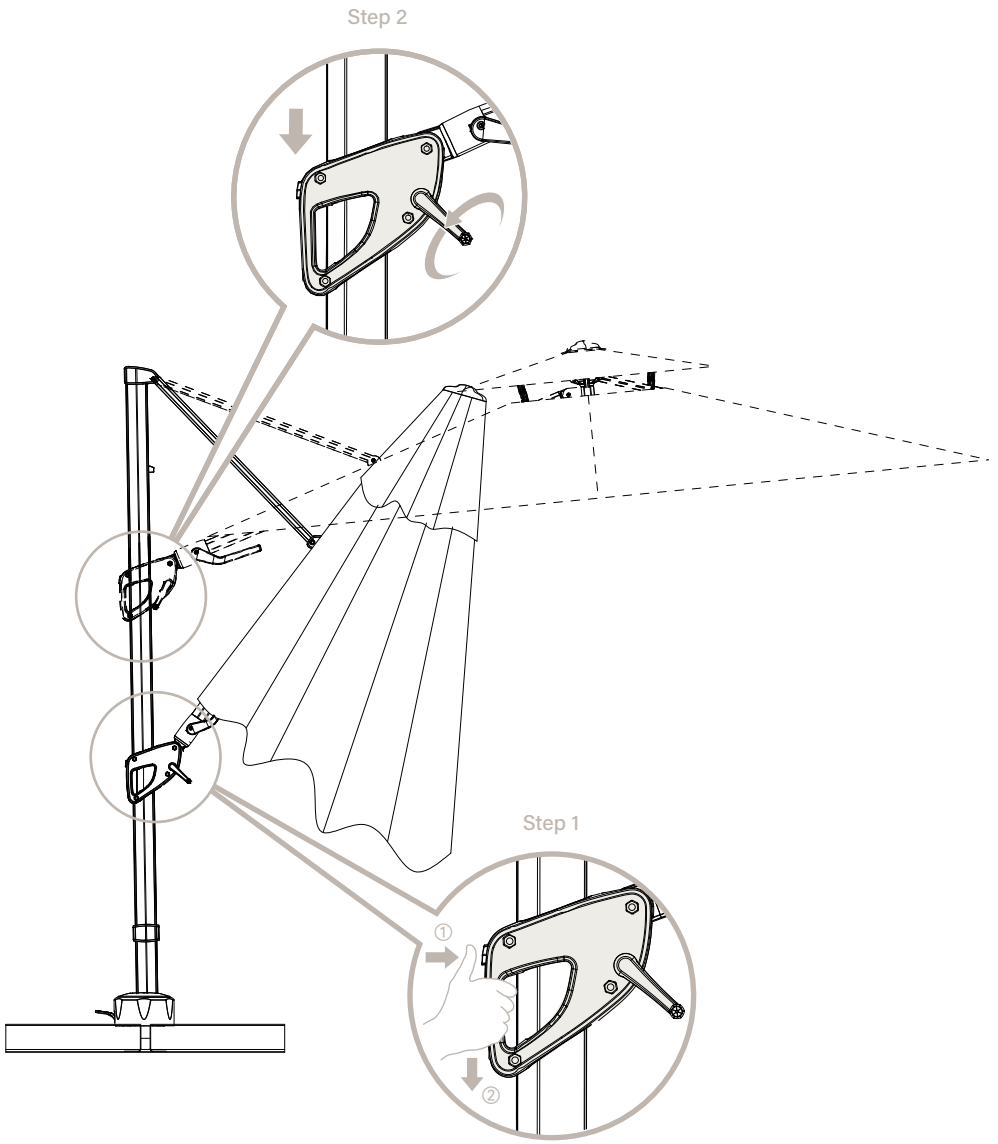
5.1

Step on the pedal on the rotating base to rotate the canopy to the proper position, and then release the pedal to secure it.



Closing Canopy

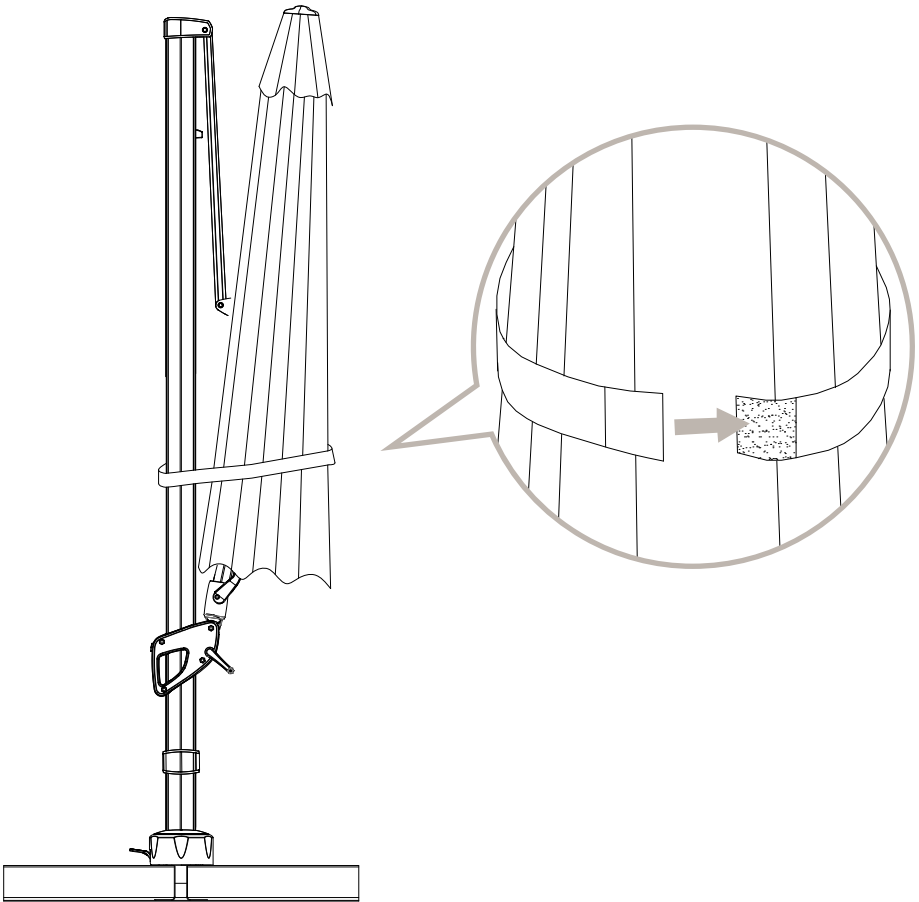
6.1



Storage

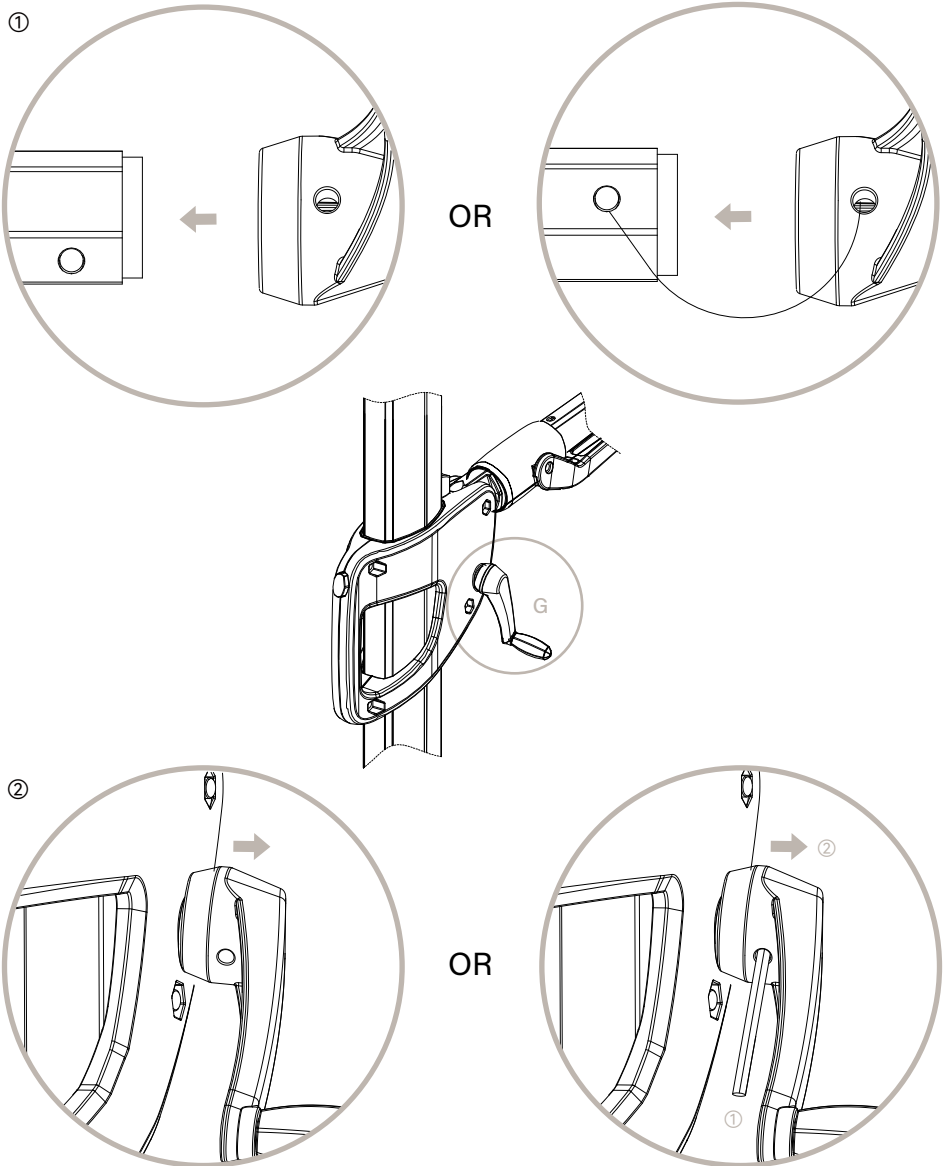
7.1

When not in use, tighten the product with the straps and store it in a dry area shielded from the weather.



Attaching and Detaching the Crank

1. The part G crank handle can be installed in two ways as show in Figure 1
2. To remove the part G crank handle:
if the handle is in the snap-on connected state, please use the hex wrench,
if not, please simply take it out.





LAUSAIN
HOME
a chic gathering



CUSTOMER SERVICE LETTER



LAUSAINT HOME CARES ABOUT EVERY CUSTOMER'S SHOPPING EXPERIENCE.



BEFORE RETURNING THE ITEM TO OUR WAREHOUSE

please contact us via email at customerservice@lausaint.com and provide the following details:

1. Purchase platform and order ID.
2. Product name or SKU.
3. Traceability code on the installation manual (such as: YQxxYxxW).
4. Close-up pictures clearly exhibiting product details (such as damaged packaging, faulty parts, damaged components, or missing parts). Please CIRCLE them on the installation manual.

Note: We will reply to you within 24 working hours after receiving your email.



Shipping Questions:

1. If you order an item with multiple packages, the packages will be delivered separately. The total number of boxes is indicated on the packaging.
2. Before contacting us regarding missing parts, please check and ensure that you have received all the boxes. In general, all boxes will arrive within 3 business days.
3. Please feel free to contact us if there is any delay.