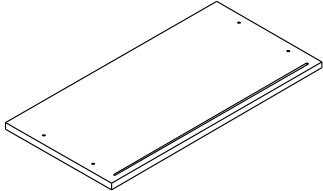
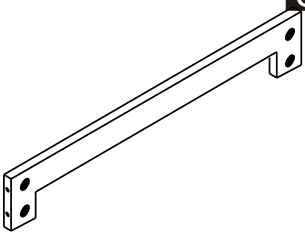
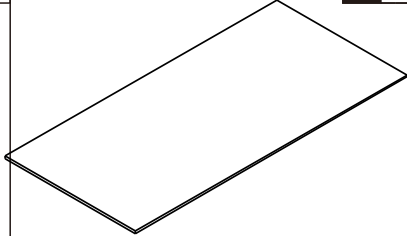
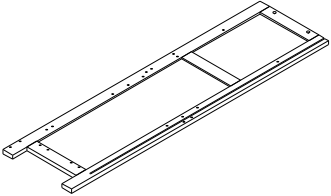
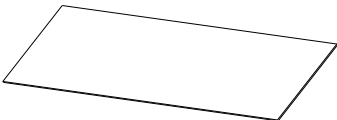
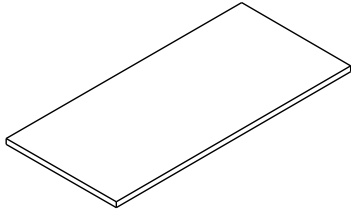
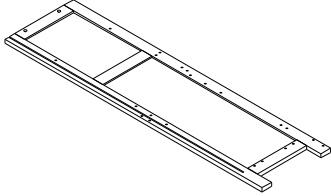
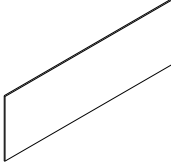
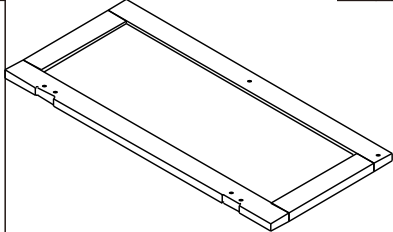
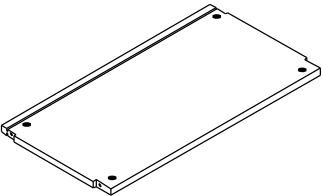
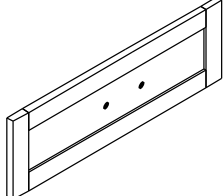
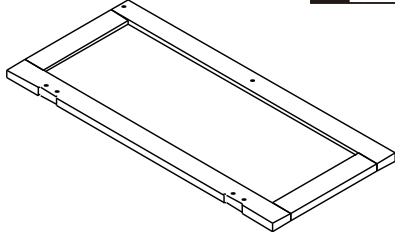
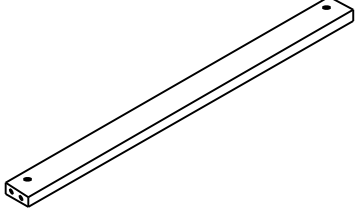
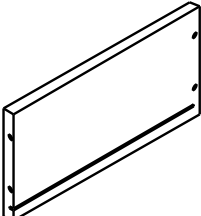
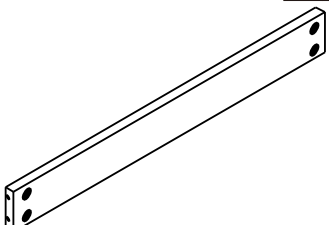
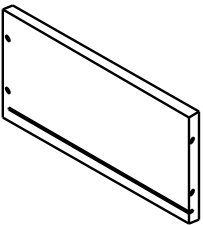
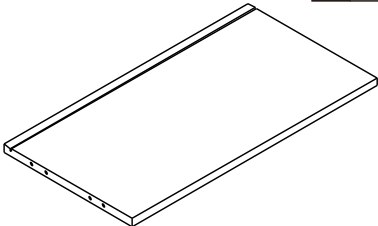
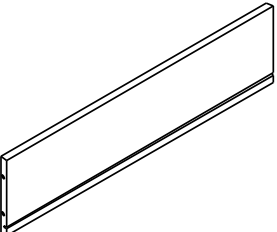
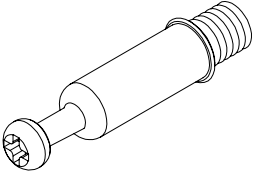
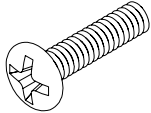
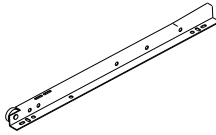

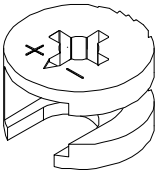
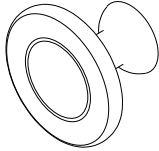
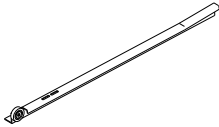
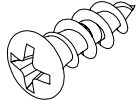
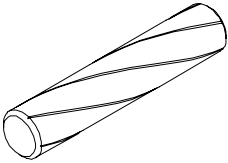
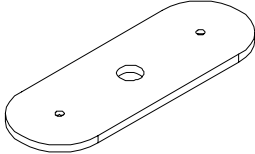
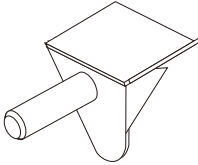
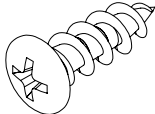
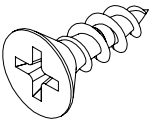
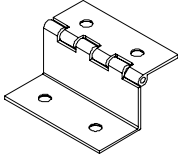
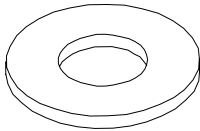
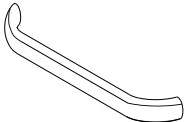
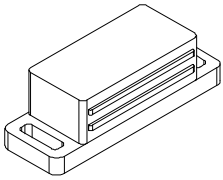
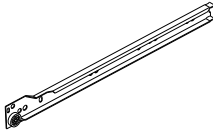
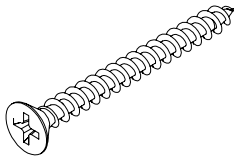
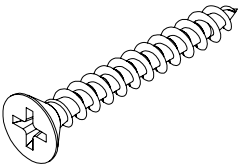
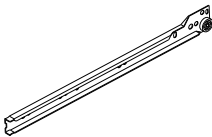
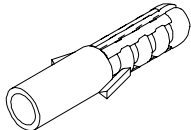


READ AND SAVE THIS INSTRUCTION FOR FUTURE USE

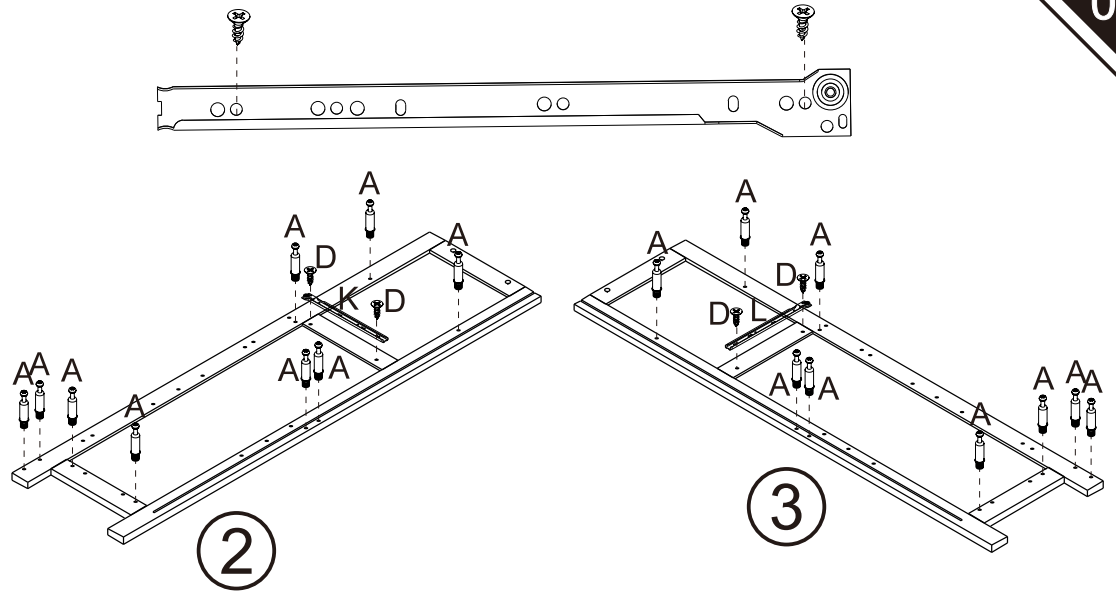
ASSEMBLY INSTRUCTION

 <p>1 x 1</p>	 <p>8 x 1</p>	 <p>15 x 1</p>
 <p>2 x 1</p>	 <p>9 x 2</p>	 <p>16 x 1</p>
 <p>3 x 1</p>	 <p>10 x 1</p>	 <p>17 x 1</p>
 <p>4 x 1</p>	 <p>11 x 1</p>	 <p>18 x 1</p>
 <p>5 x 1</p>	 <p>12 x 1</p>	
 <p>6 x 1</p>	 <p>13 x 1</p>	
 <p>7 x 1</p>	 <p>14 x 1</p>	

<p>A x26</p> 	<p>G x 4</p> 	<p>M x 1</p> 	<p>S x 1</p> 
<p>B x26</p> 	<p>H x 2</p> 	<p>N x 1</p> 	<p>T x 2</p> 
<p>C x 6</p> 	<p>I x 2</p> 	<p>O x 4</p> 	<p>U x 1</p> 
<p>D x26</p> 	<p>J x 4</p> 	<p>P x 2</p> 	<p>V x 1</p> 
<p>E x 1</p> 	<p>K x 1</p> 	<p>Q x 1</p> 	
<p>F x 4</p> 	<p>L x 1</p> 	<p>R x 1</p> 	

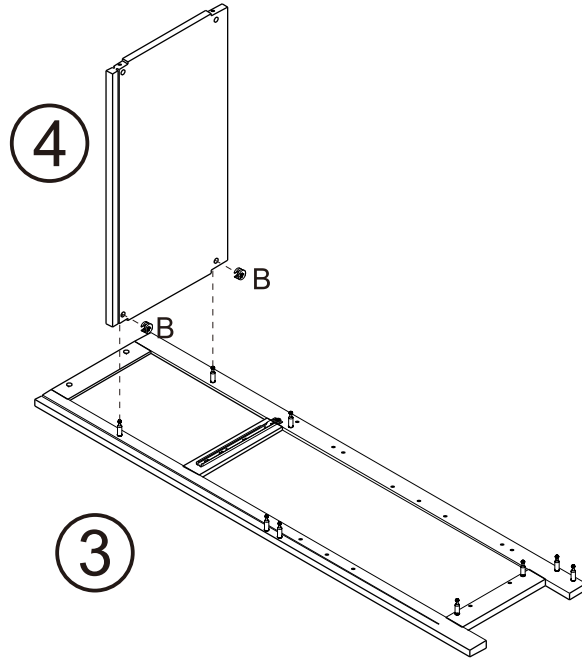
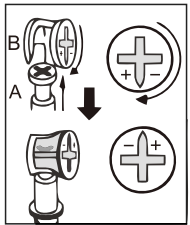
- A x18
- D x 4
- K x 1
- L x 1

01



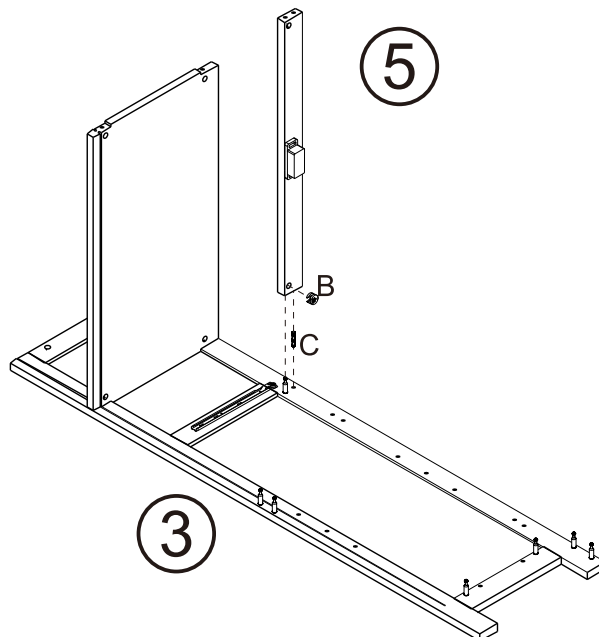
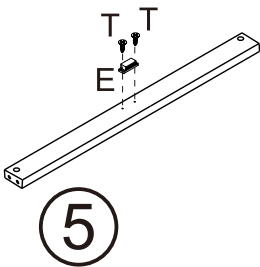
- B x 2

02



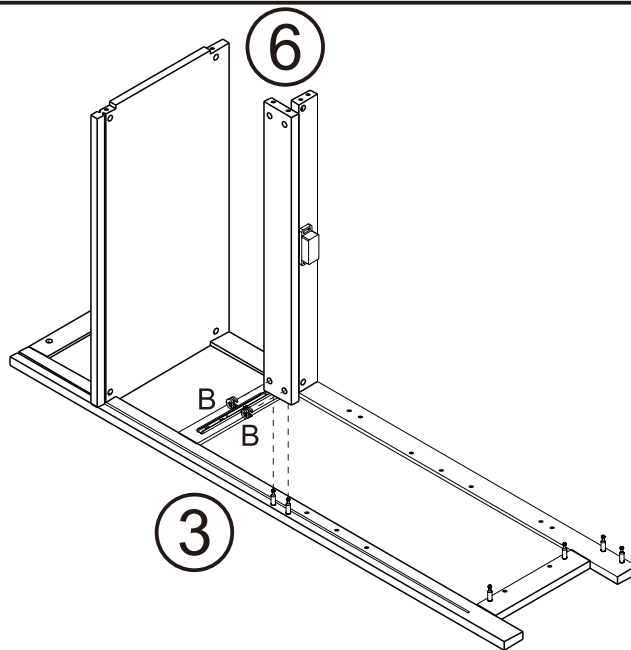
- B x 1
- C x 1
- T x 2
- E x 1

03



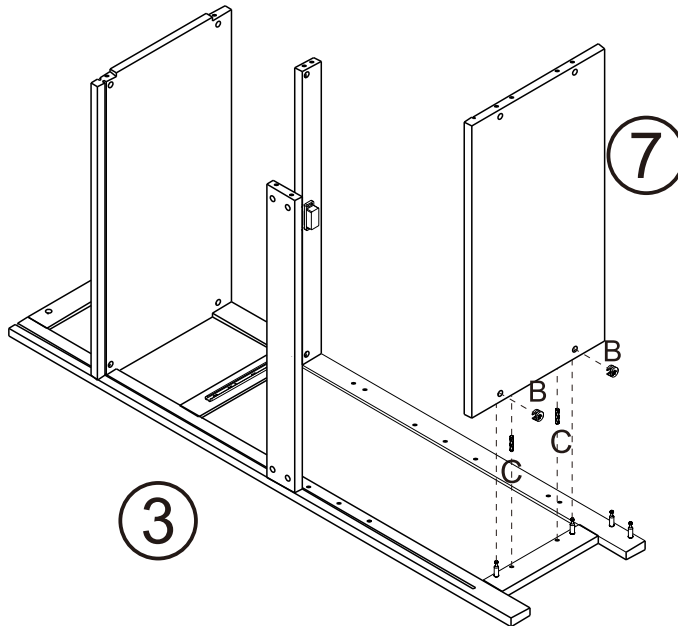
B x 2

04



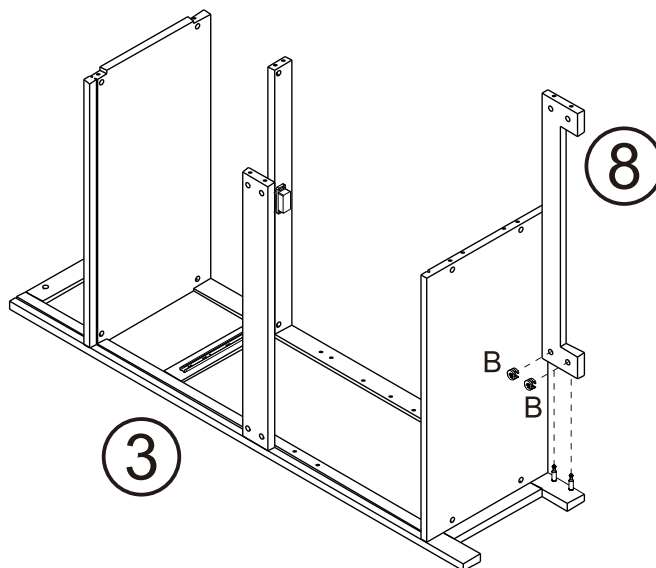
B x 2
C x 2

05



B x 2

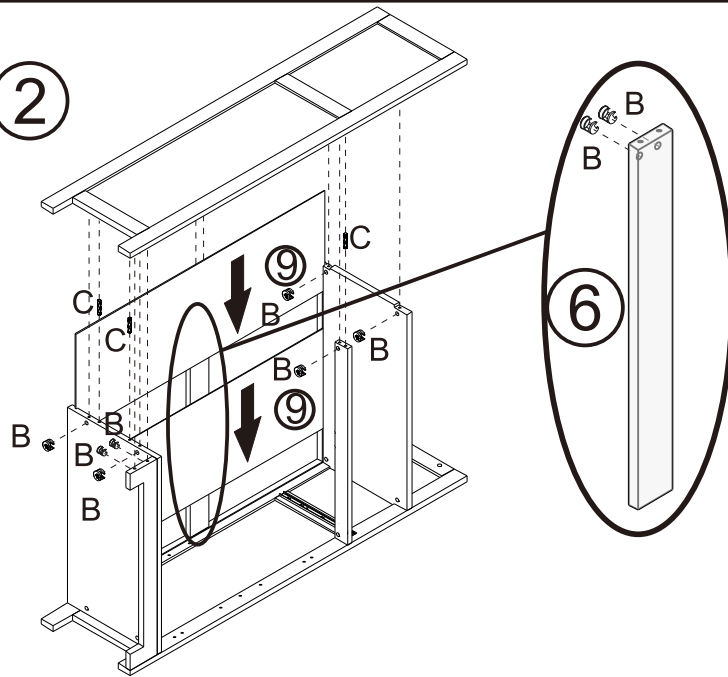
06



B x 9
C x 3

07

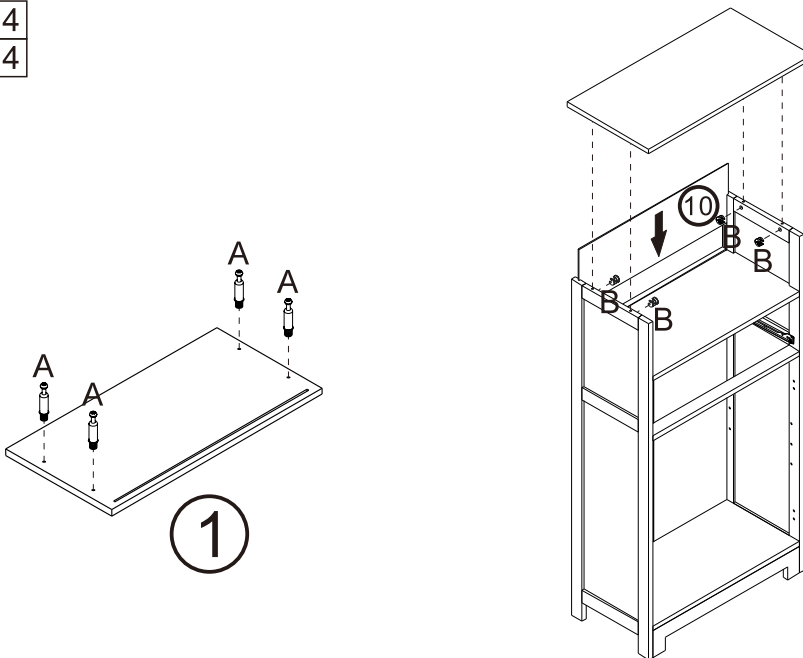
2



A x 4
B x 4

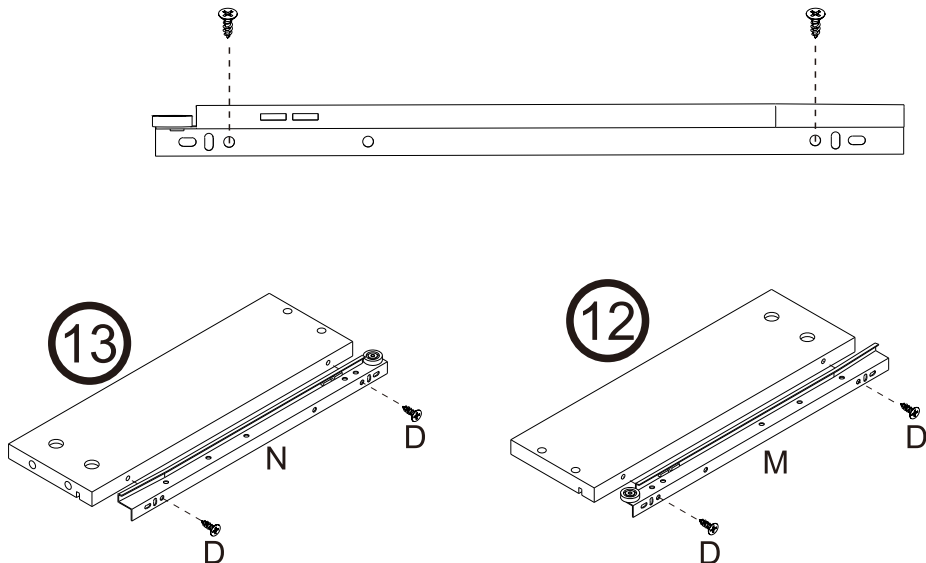
08

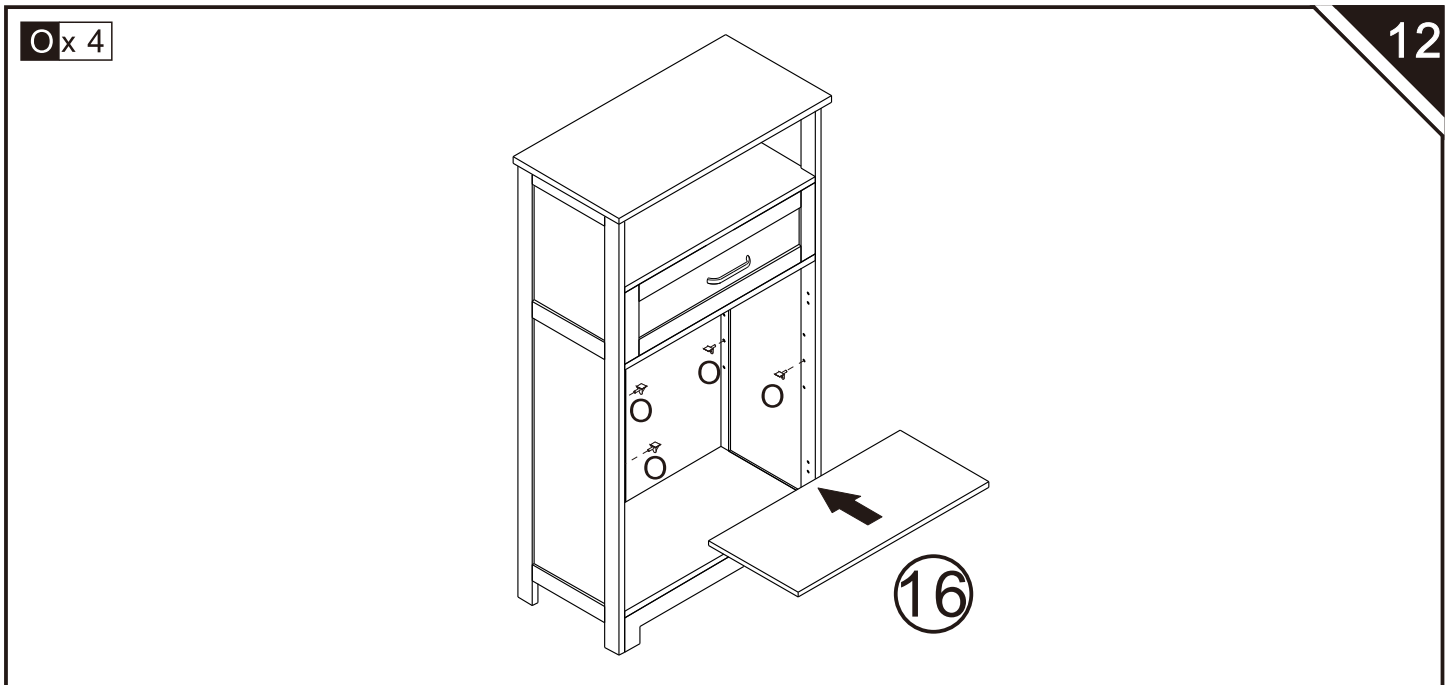
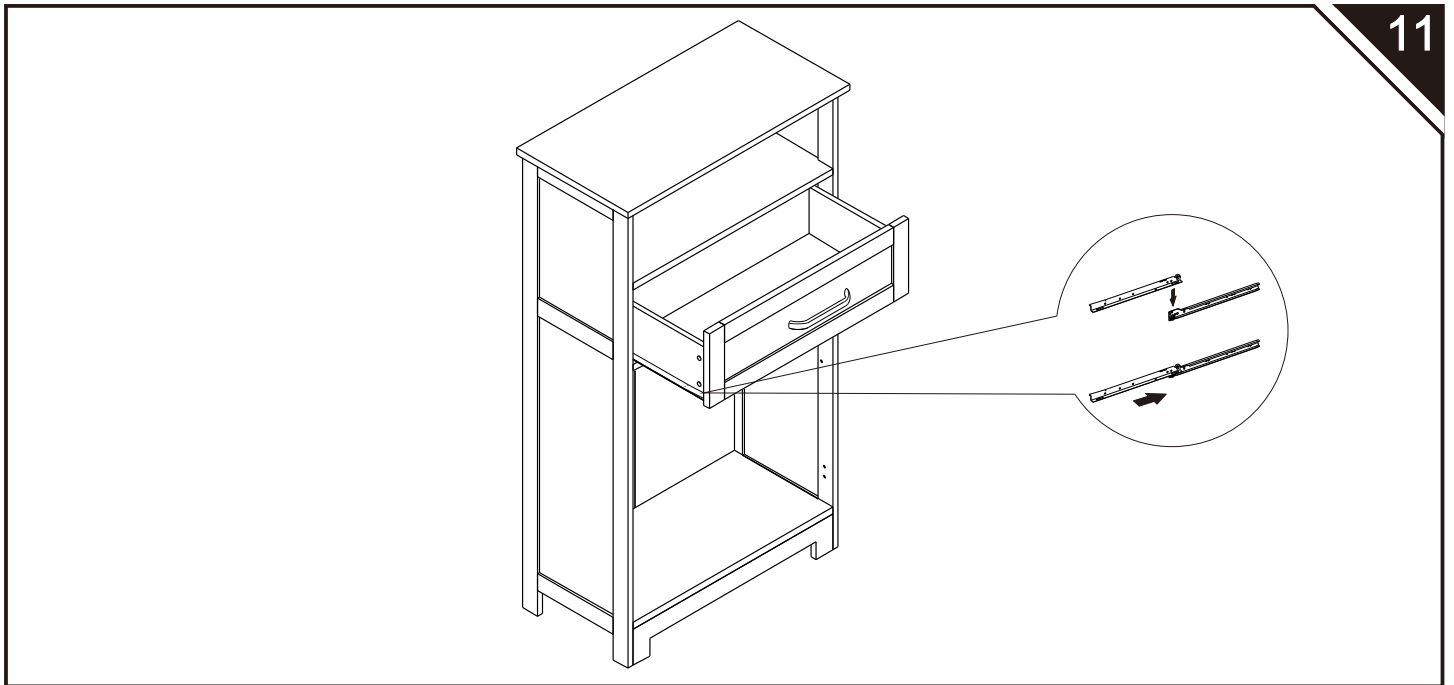
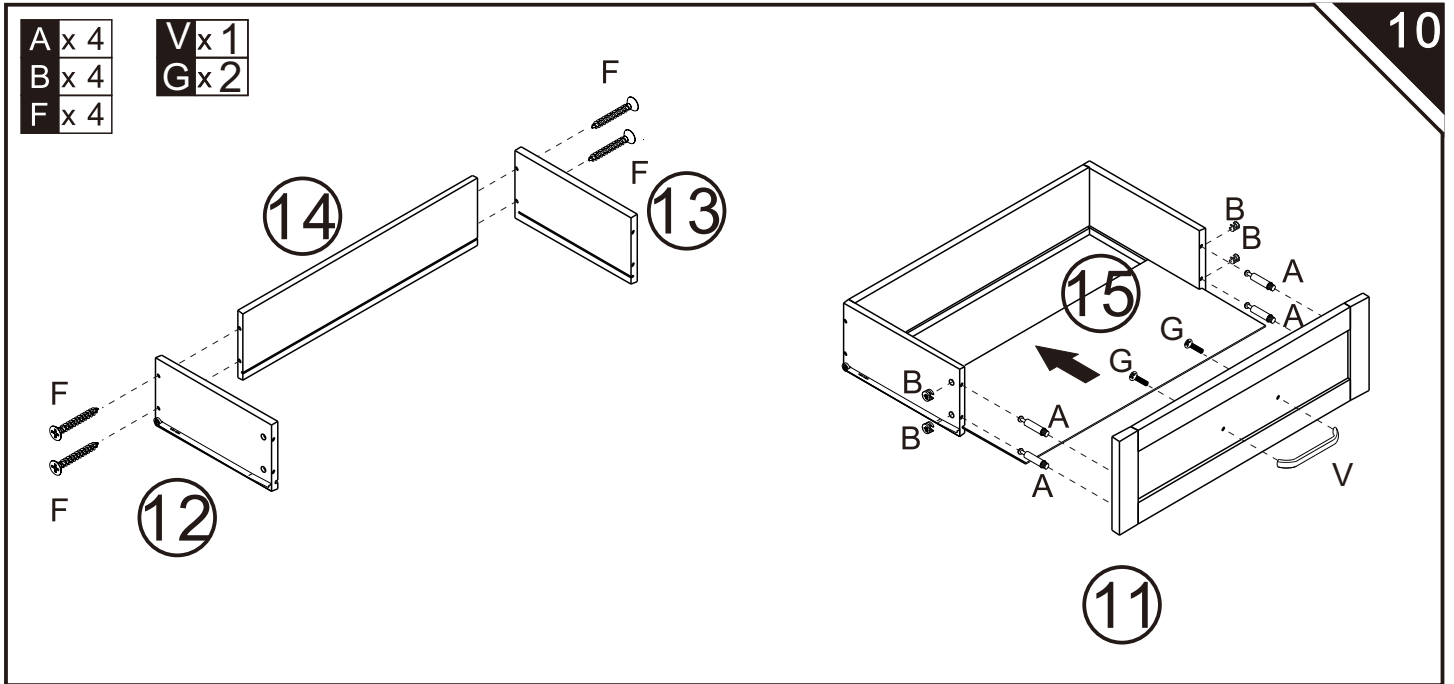
1



D x 4
M x 1
N x 1

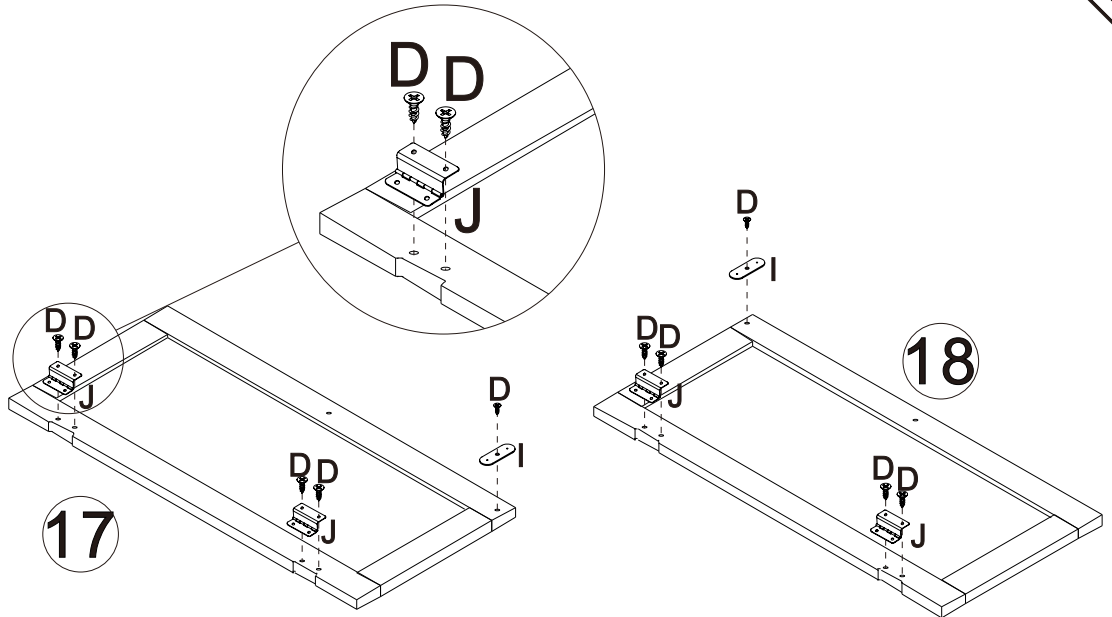
09





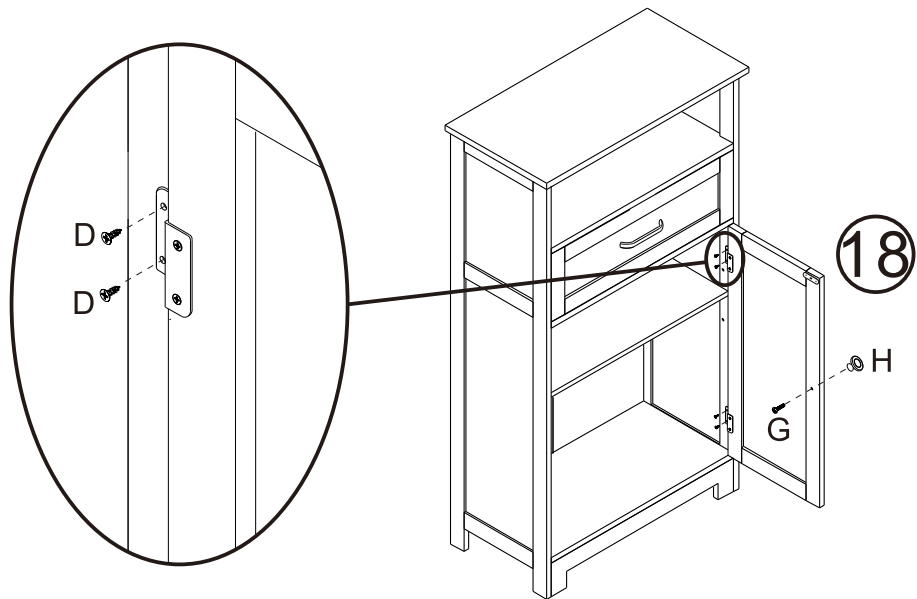
D x 10
J x 4
I x 2

13



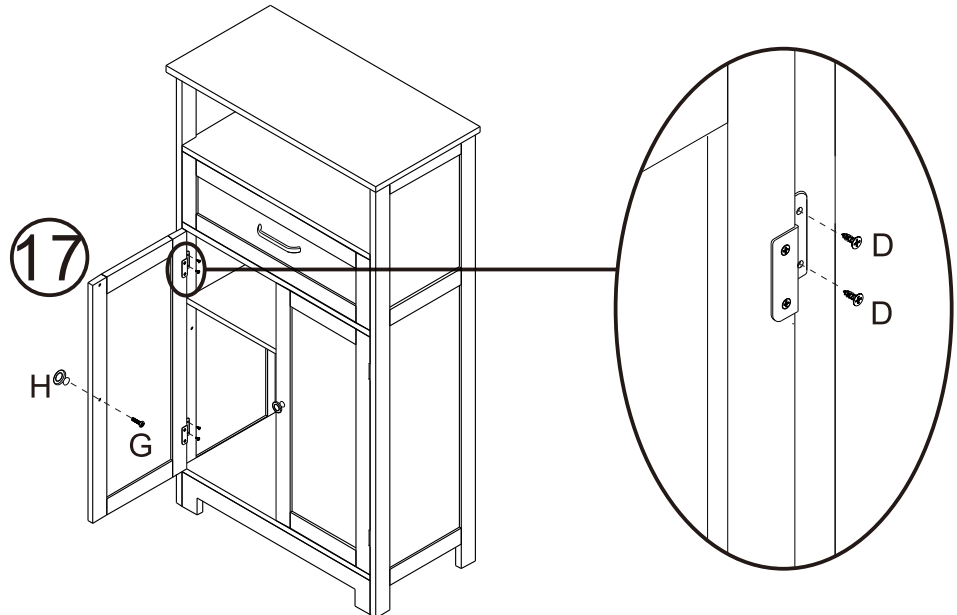
D x 4
H x 1
G x 1

14



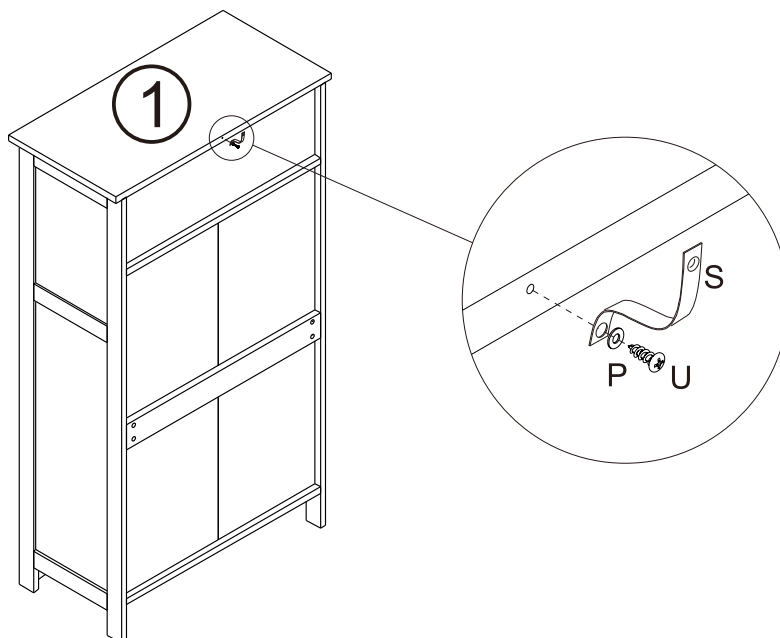
D x 4
H x 1
G x 1

15



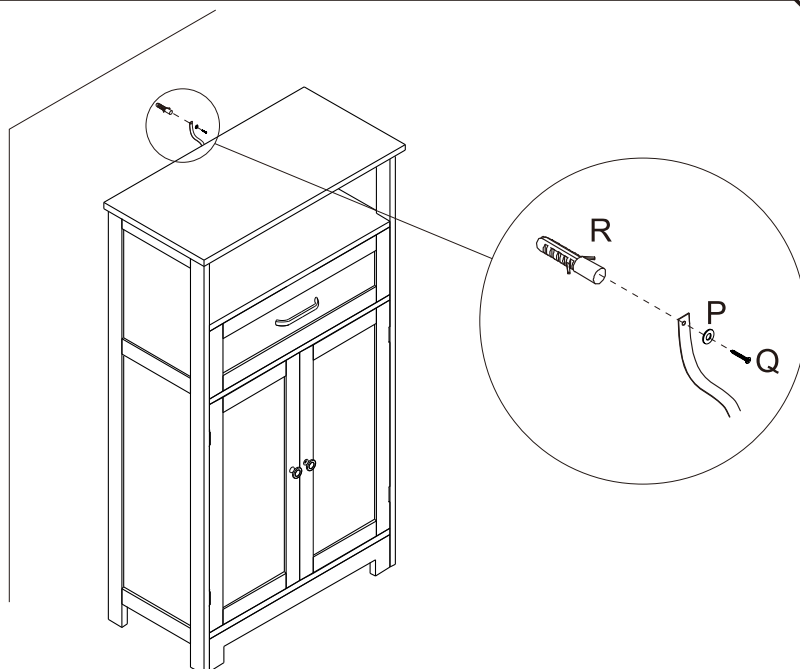
U x 1
P x 1
S x 1

16



Q x 1
P x 1
R x 1

17



18

