

INSTRUCTION MANUAL

12'x16' Alu Pergola with Sheer Curtain

IF YOU PURCHASED THE PERGOLA ONLINE AND
HAVE ANY QUESTIONS OR CONCERNS
PLEASE CONTACT US WITH EMAIL OR WHATSAPP

Email: hiwarrantyservice@outlook.com

TEXT: +1 628-263-4608

Warnings and Cautions

Thank you for choosing our Pergola. Please read these instructions thoroughly before assembly and use.

Before start the assembly process, we suggest you to get familiar with this product. Make sure all parts listed up in below packing lists are delivered and intact. If you find any parts missing or damaged please do not install but contact us immediately.

1. Do not mount this pergola yourself but contact a professional workman for help if
 - ◆ you are unsure if the pergola can be mounted on the place you chose for installation.
 - ◆ you do not understand the instruction manual or parts of it.
 - ◆ you do not have necessary tools available.
 - ◆ you do not have necessary technical knowledge
2. A minimum of three healthy adults are required to move and install the pergola
3. Do not install the pergola when you find damage parts or any parts missing.
4. Keep children and pets out of the working area during assembly and adjustments.
5. This product and its fixing parts are only suitable for installation on a plain cement wall or stable brickwork. If the wall/brickwork shows cracks you have to consult a professional.
6. Nobody is allowed to change the products' design and structure without the permission of manufacture or authorized deputy.
7. Please make sure that your hands are clean at the time of the assembly; otherwise you may soil frame.
8. Nobody is allowed to climb onto the Pergola. Hanging heavy things on the Pergola is forbidden.
9. This structure is a non-permanent structure and the warranty does not cover damage incurred under extreme weather conditions including heavy rain, high winds or if exposed to high heat from heaters or BBQs.
10. Safety precautions should always be followed when assembling and using this product to reduce the risk of personal injury and damage to equipment.
11. Please read all instructions before assembly and use.
12. Never leave children unattended around/under this pergola.
13. Do not attempt to assemble or use the pergola in moderate or heavy wind conditions.
- 14. Always keep the pergola louver open and secure it during heavy winds or extreme weather conditions** to avoid damage to the pergola or personal injury.



Pistol Drill



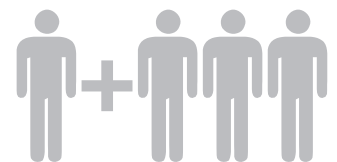
Tape Measure



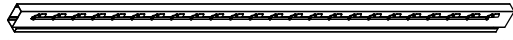
Screwdriver



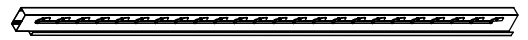
Ladder



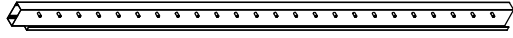
3 or 4 people



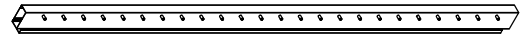
(A1) 1x



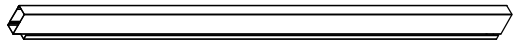
(A2) 1x



(A3) 1x



(A4) 1x



(A5) 2x



(A6) 1x



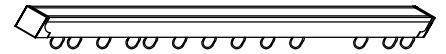
(B1) 4x



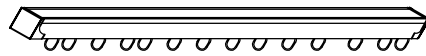
(B2) 2x



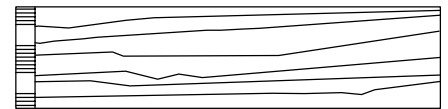
(C) 28x



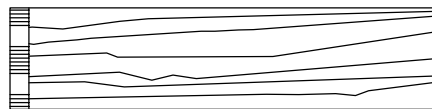
(D1) 4x



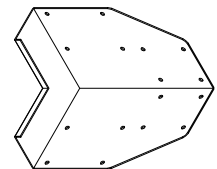
(D2) 2x



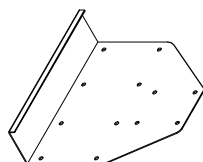
(E1) 8x



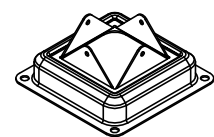
(E2) 4x



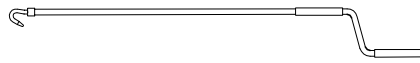
(F1) 4x



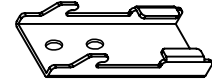
(F2) 2x



(G) 6x



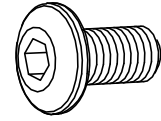
J 2x



K 20x

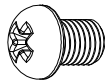


L 112x



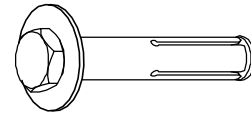
M6x15

1 122x



M5*8

2 58x

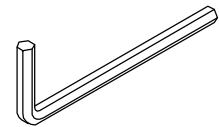


3 24x



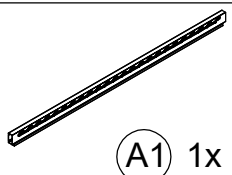
ST3.5*8

4 42x

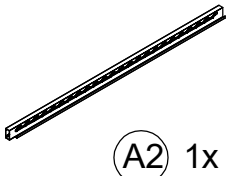


4mm

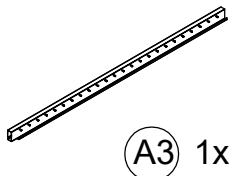
5 1x



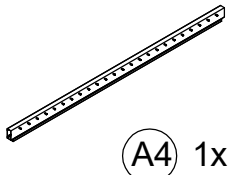
A1 1x



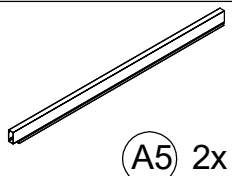
A2 1x



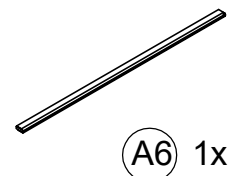
A3 1x



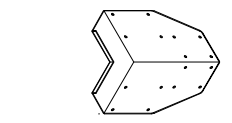
A4 1x



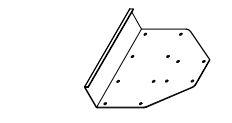
A5 2x



A6 1x



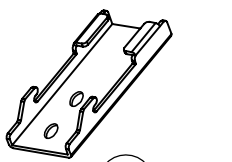
F1 4x



F2 2x



1 56x



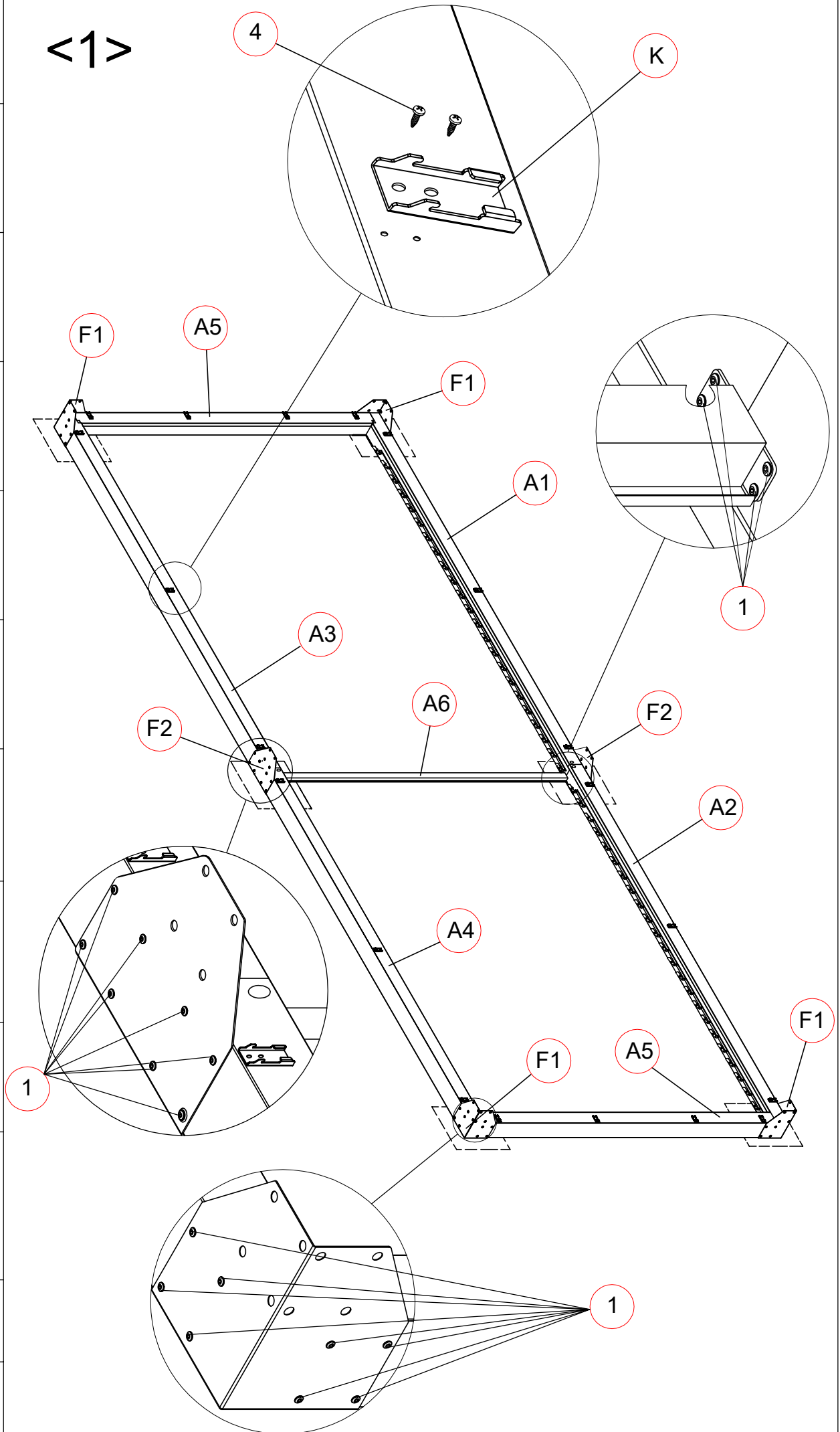
K 20x

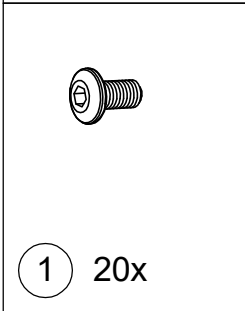
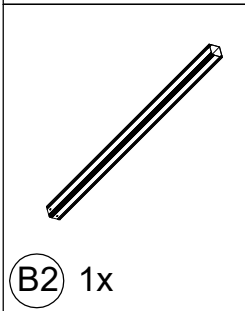
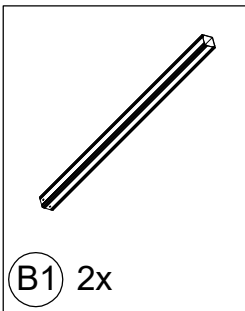


4 40x

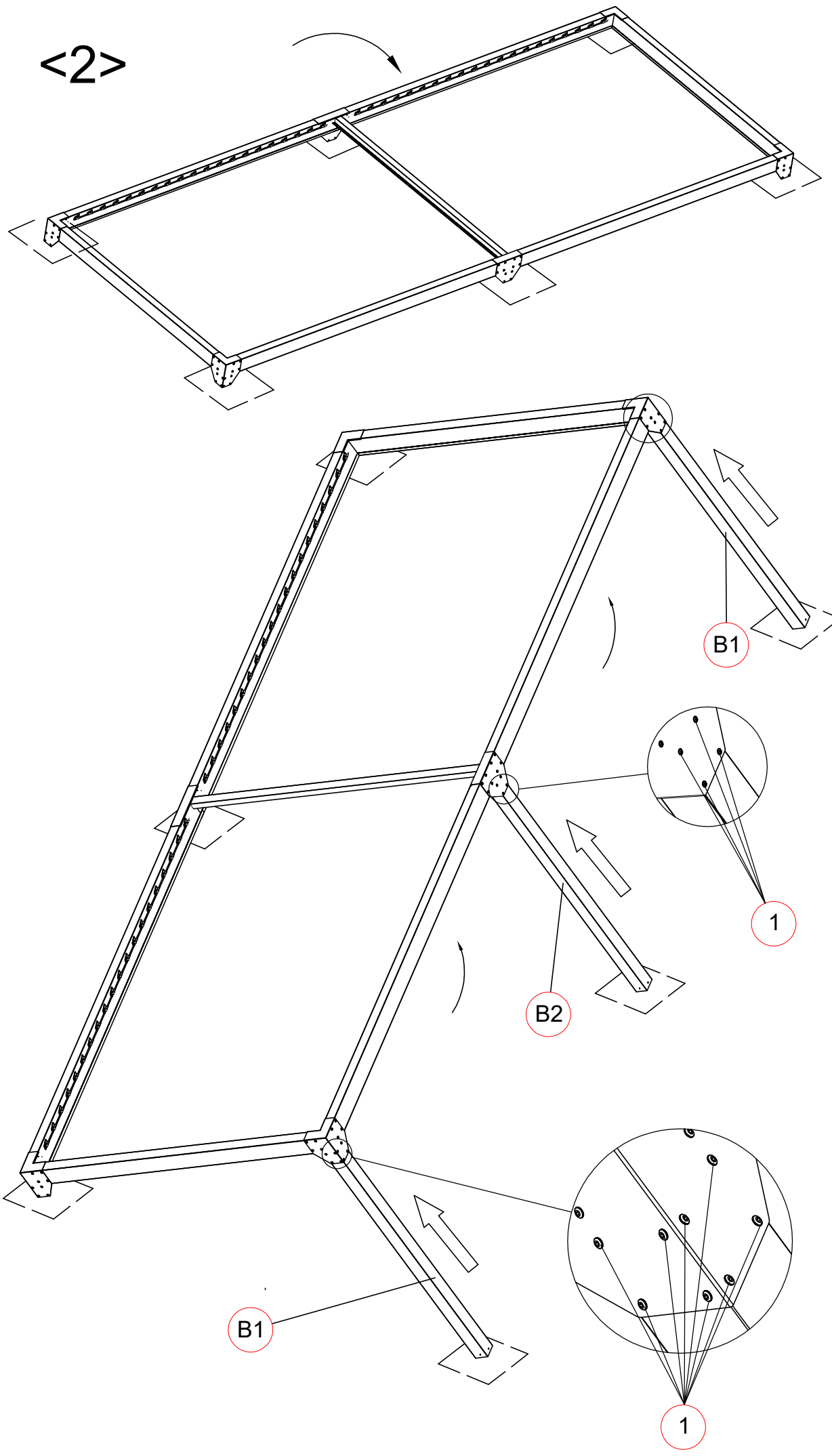
5

<1>





<2>



6



(B1) 2x

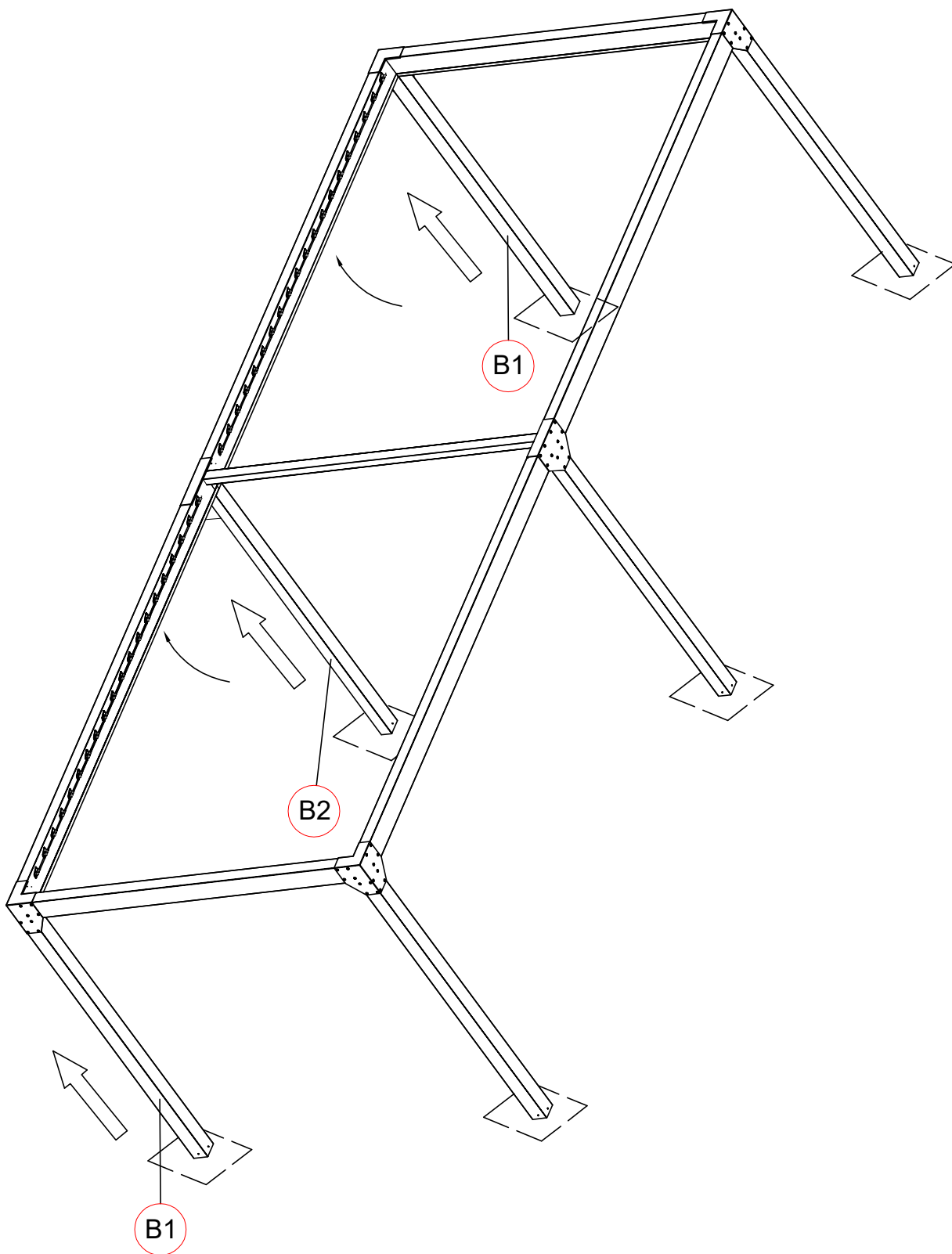


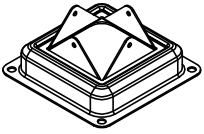
(B2) 1x



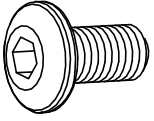
(1) 20x

<3>



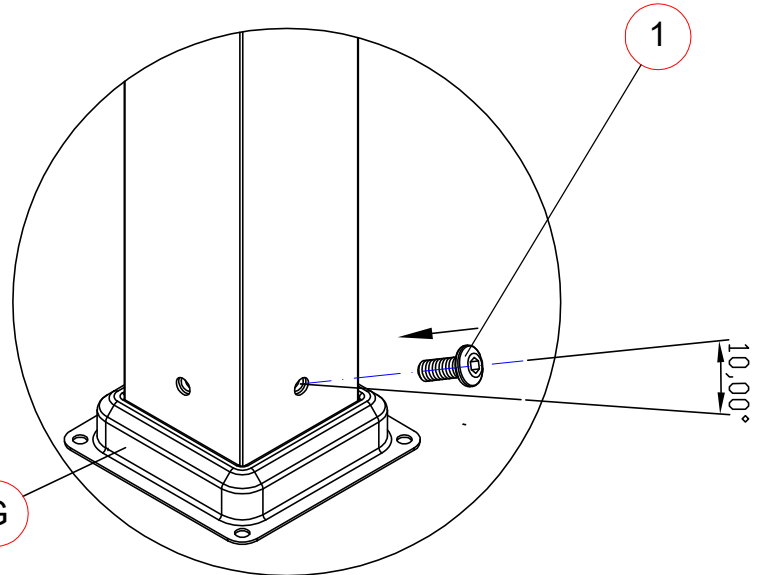
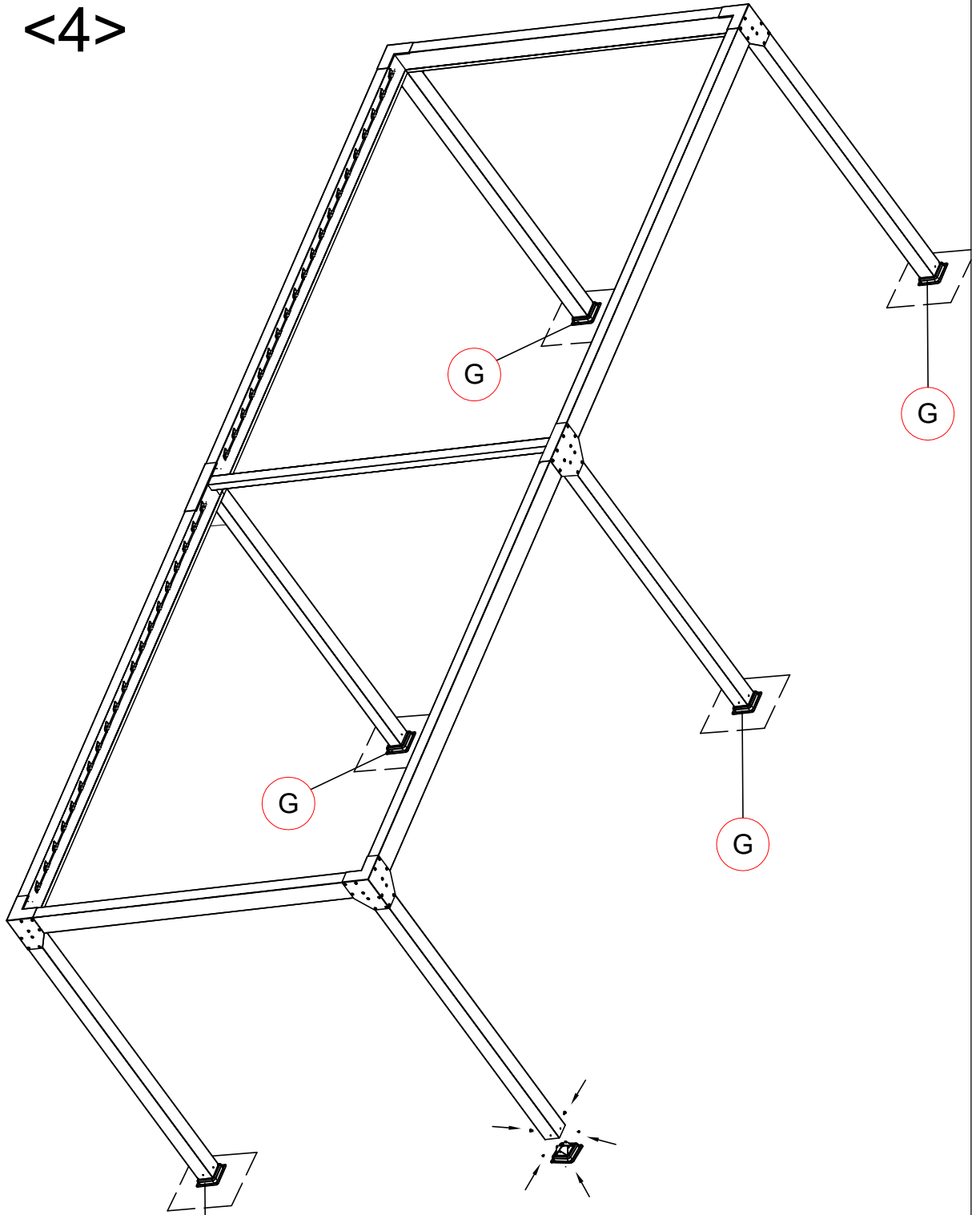


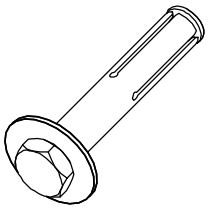
G 6x



1 24x

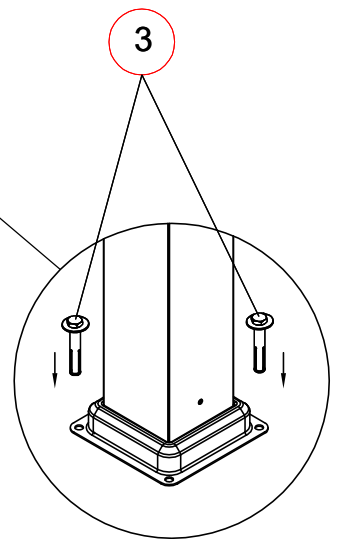
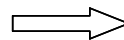
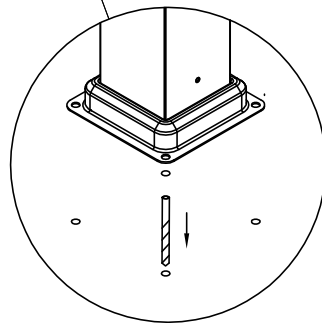
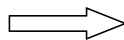
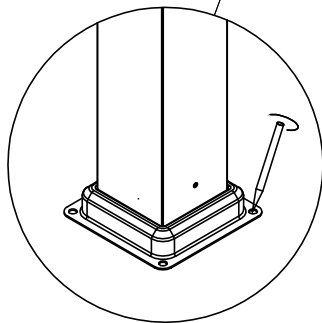
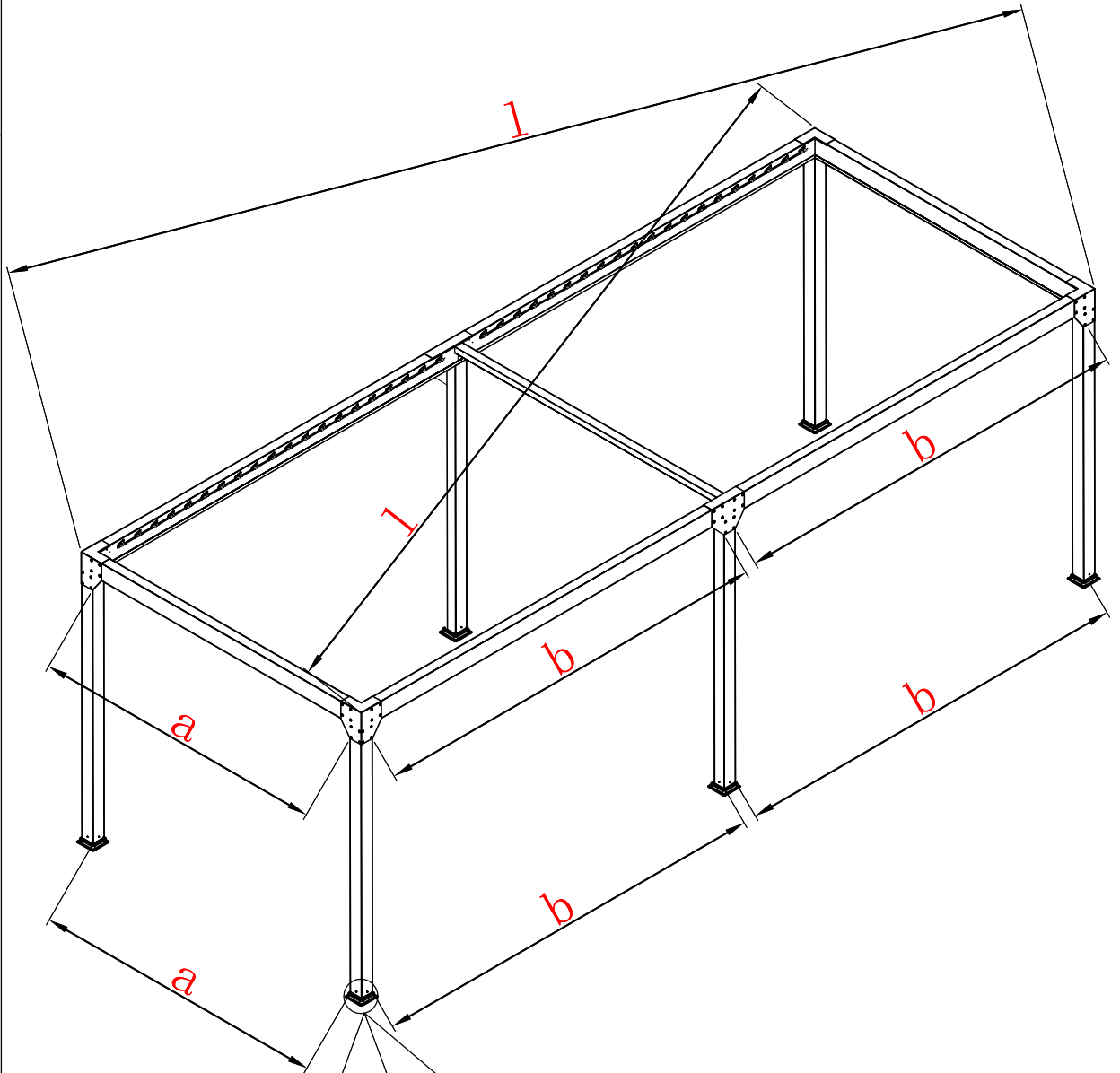
<4>





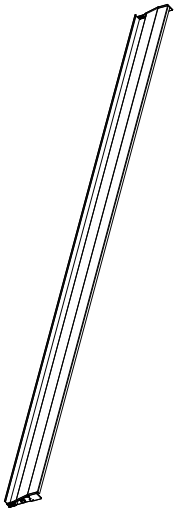
3 24x

<5>



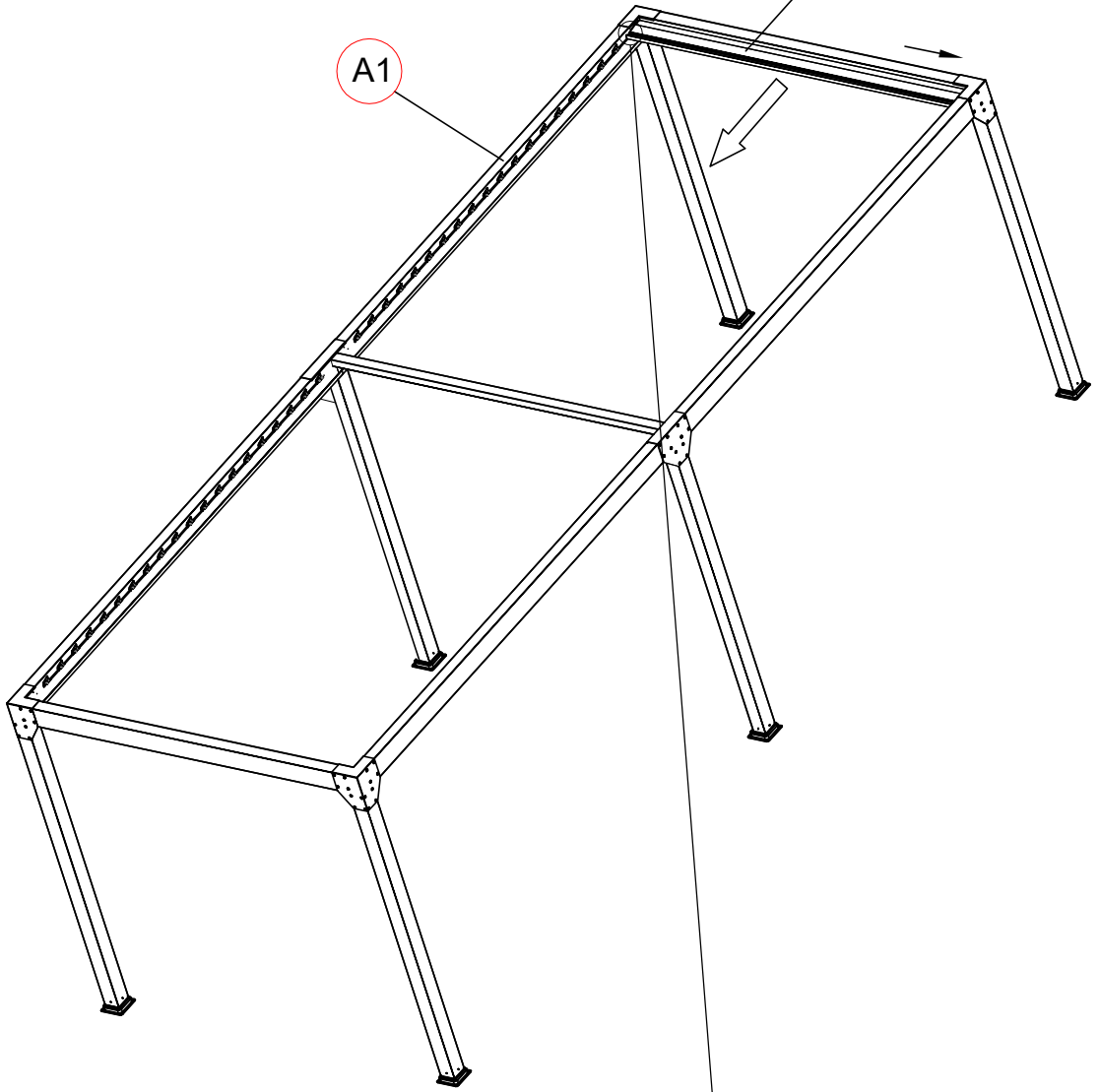
9

<6>

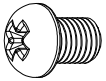


A1

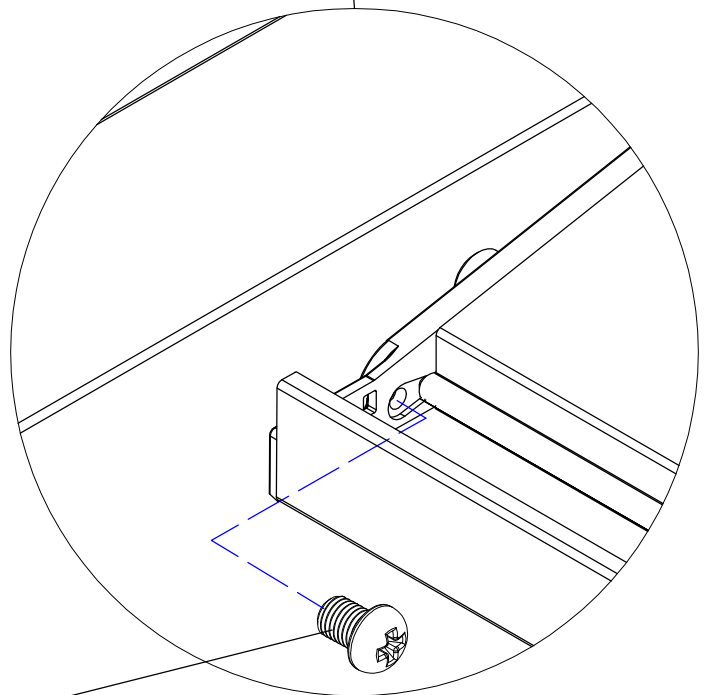
C



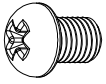
C 28x



2 28x

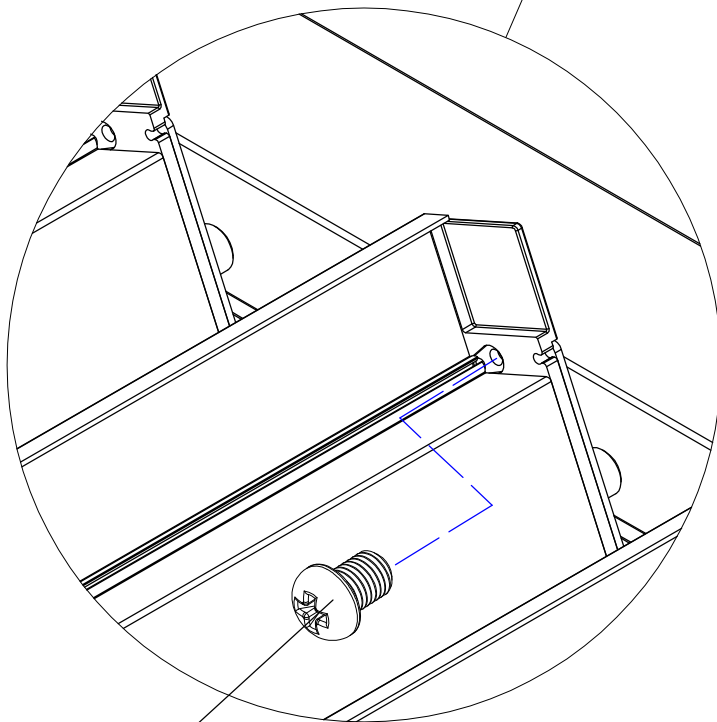
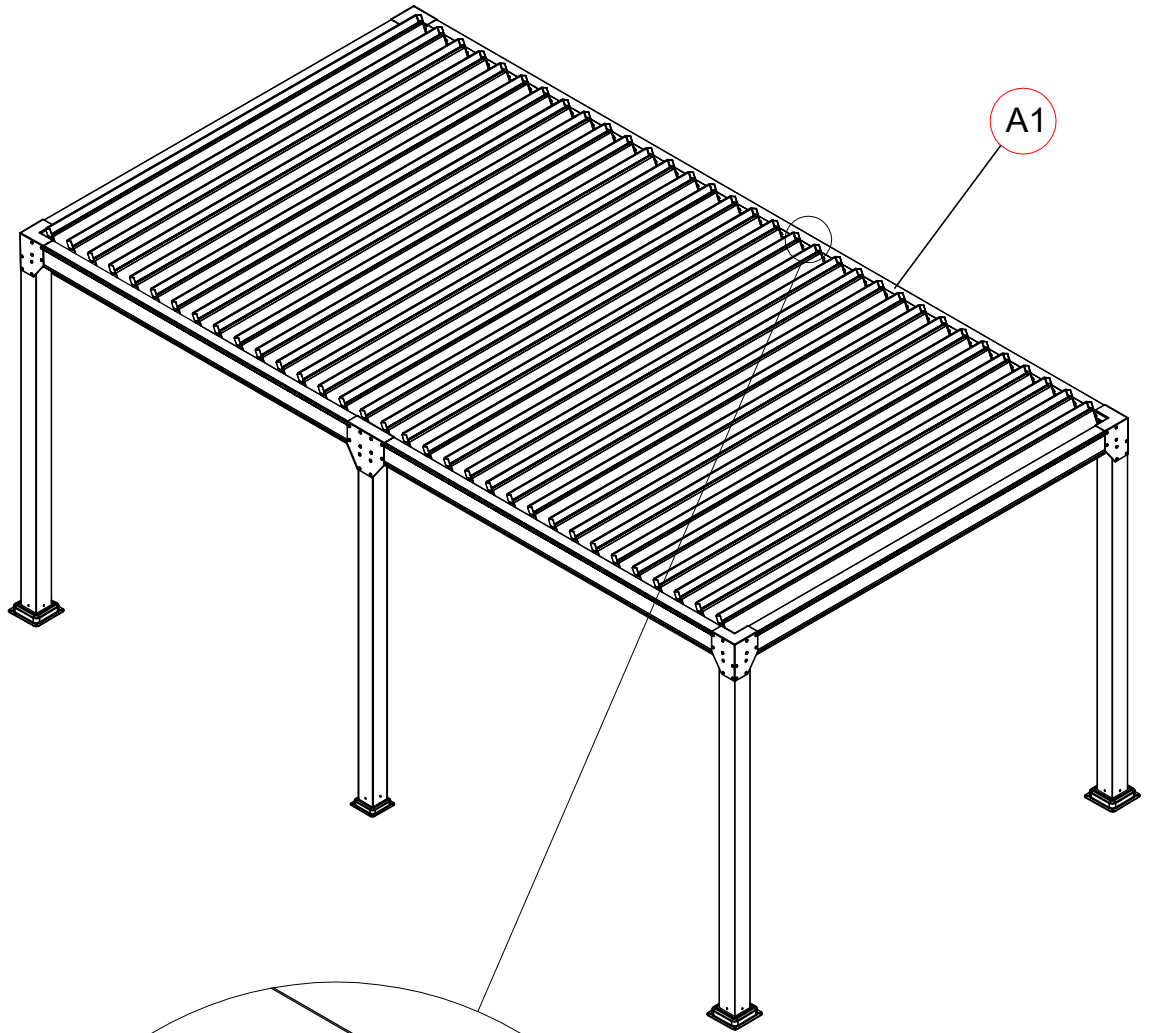


2

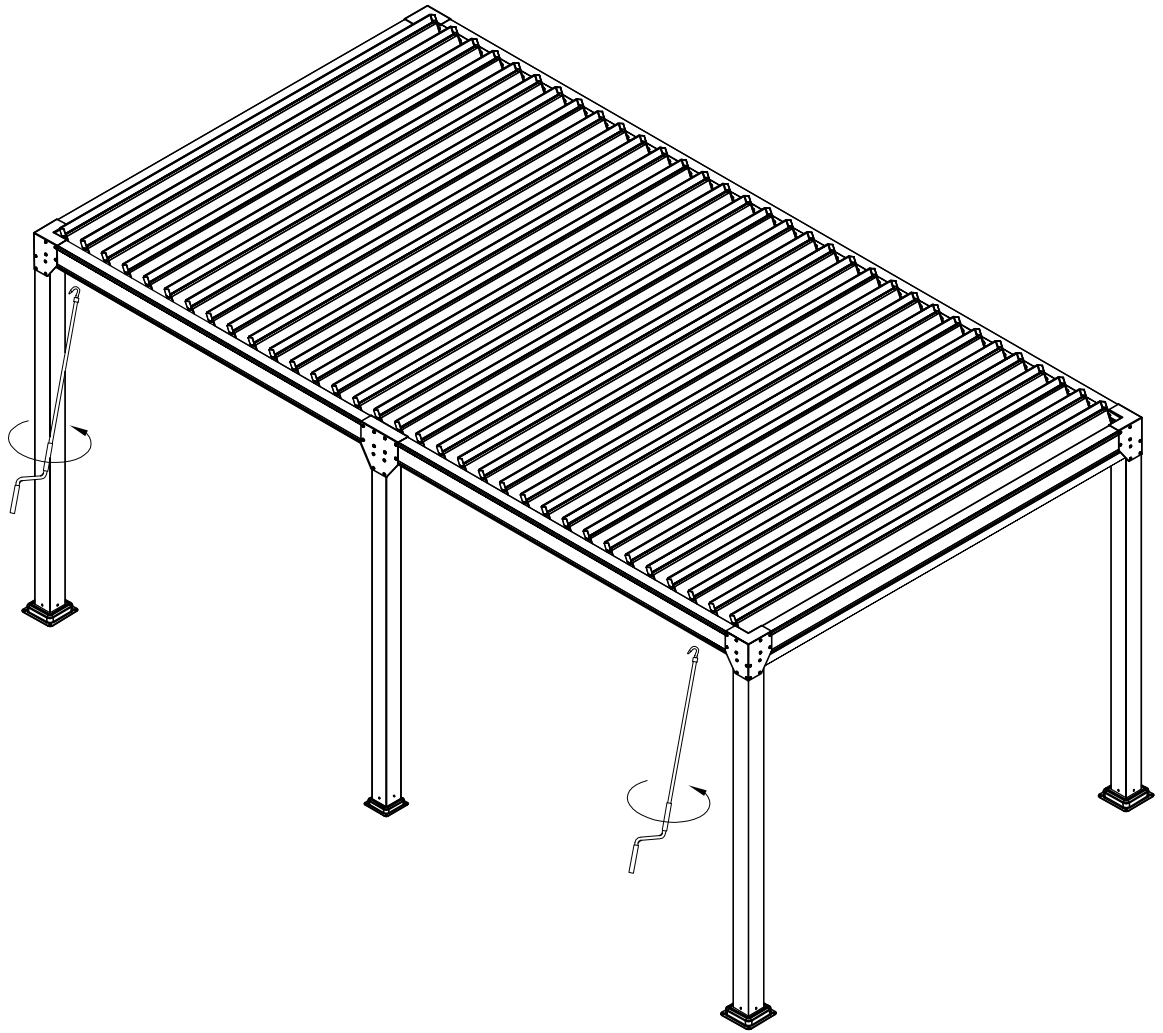


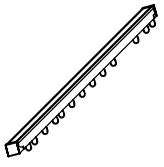
<7>

2 28x

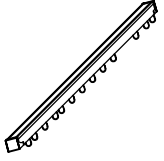


<8>



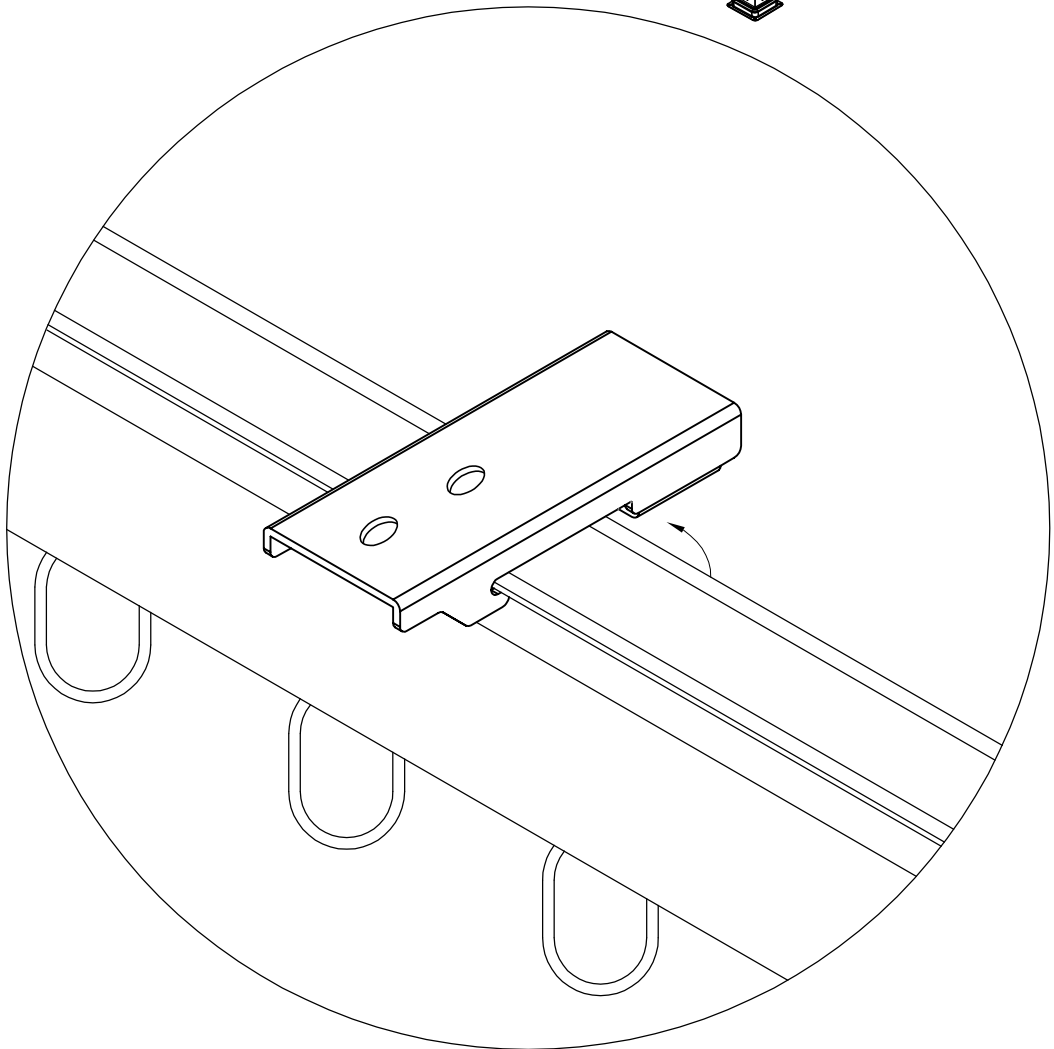
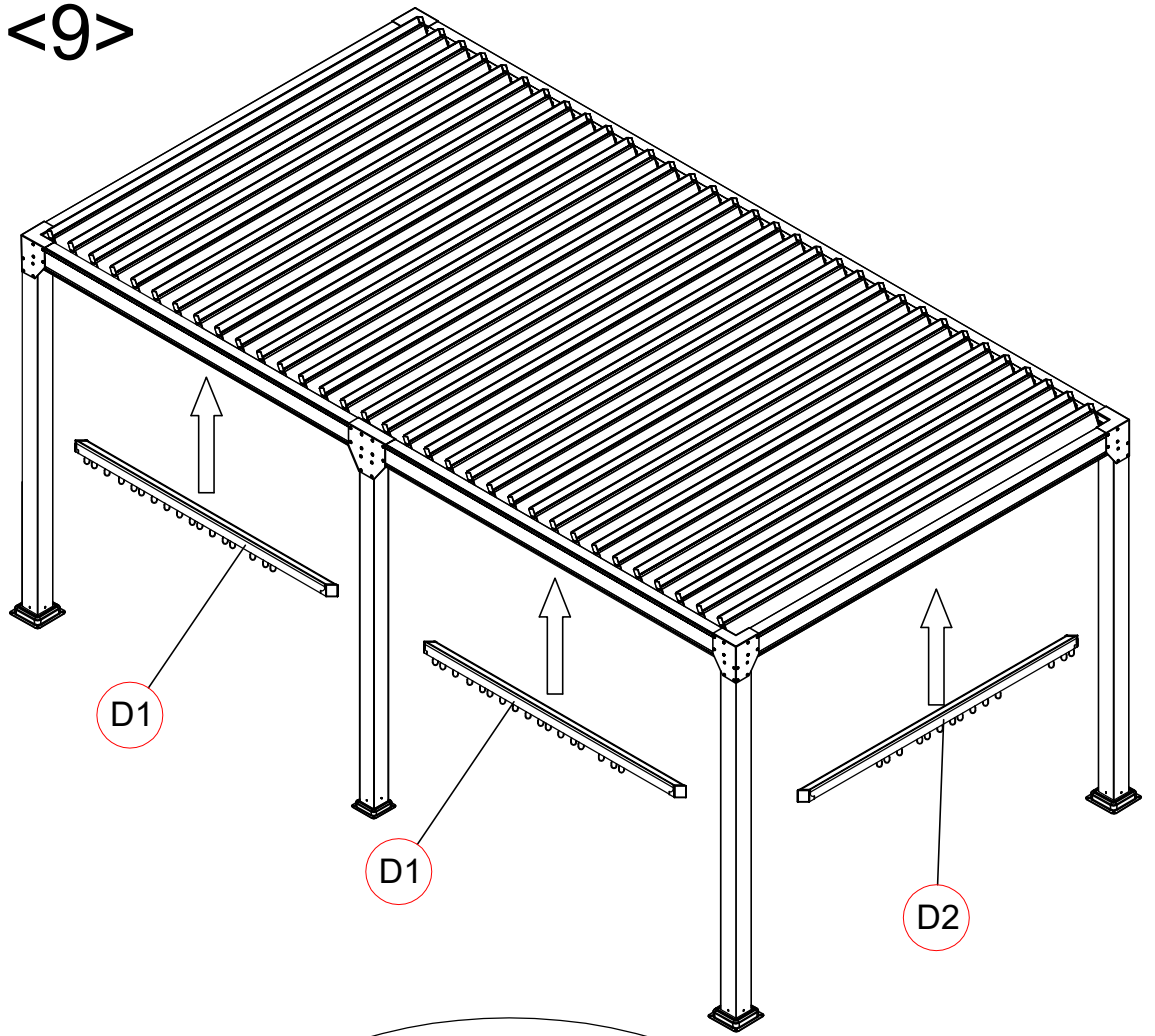


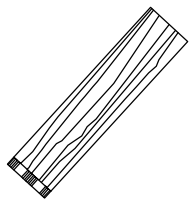
D1 4x



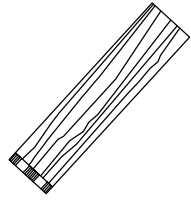
D2 2x

<9>

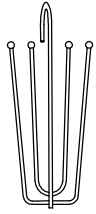




E1 8x

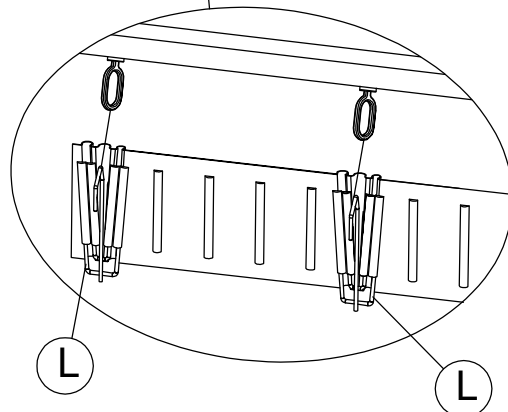
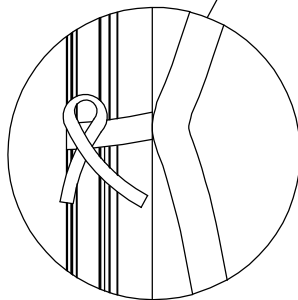
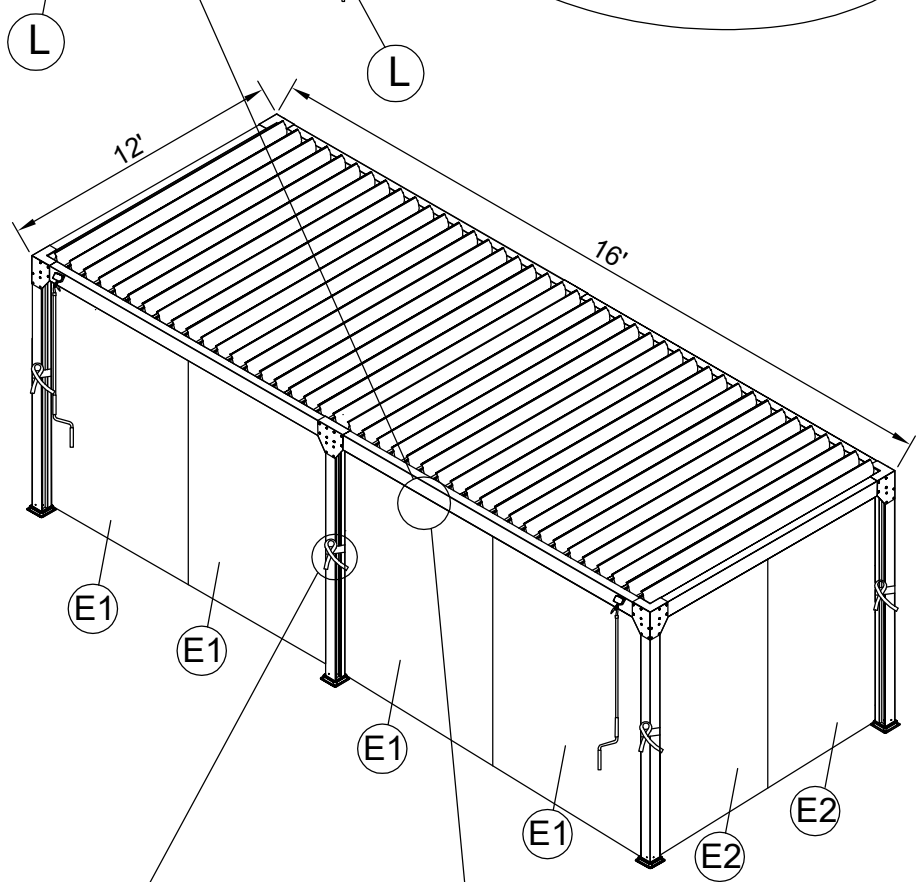
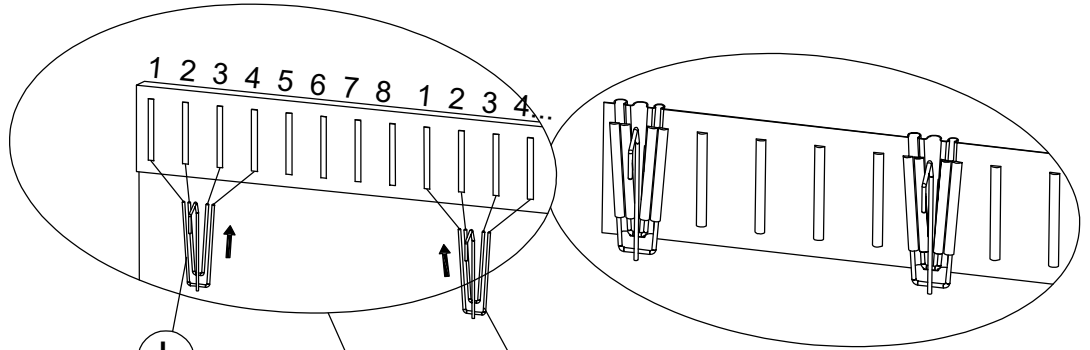
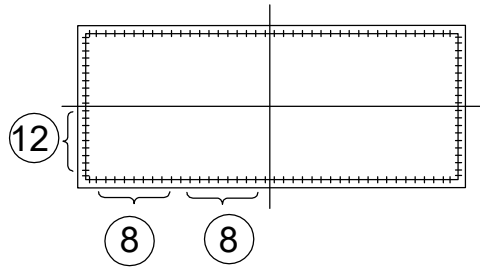


E2 4x

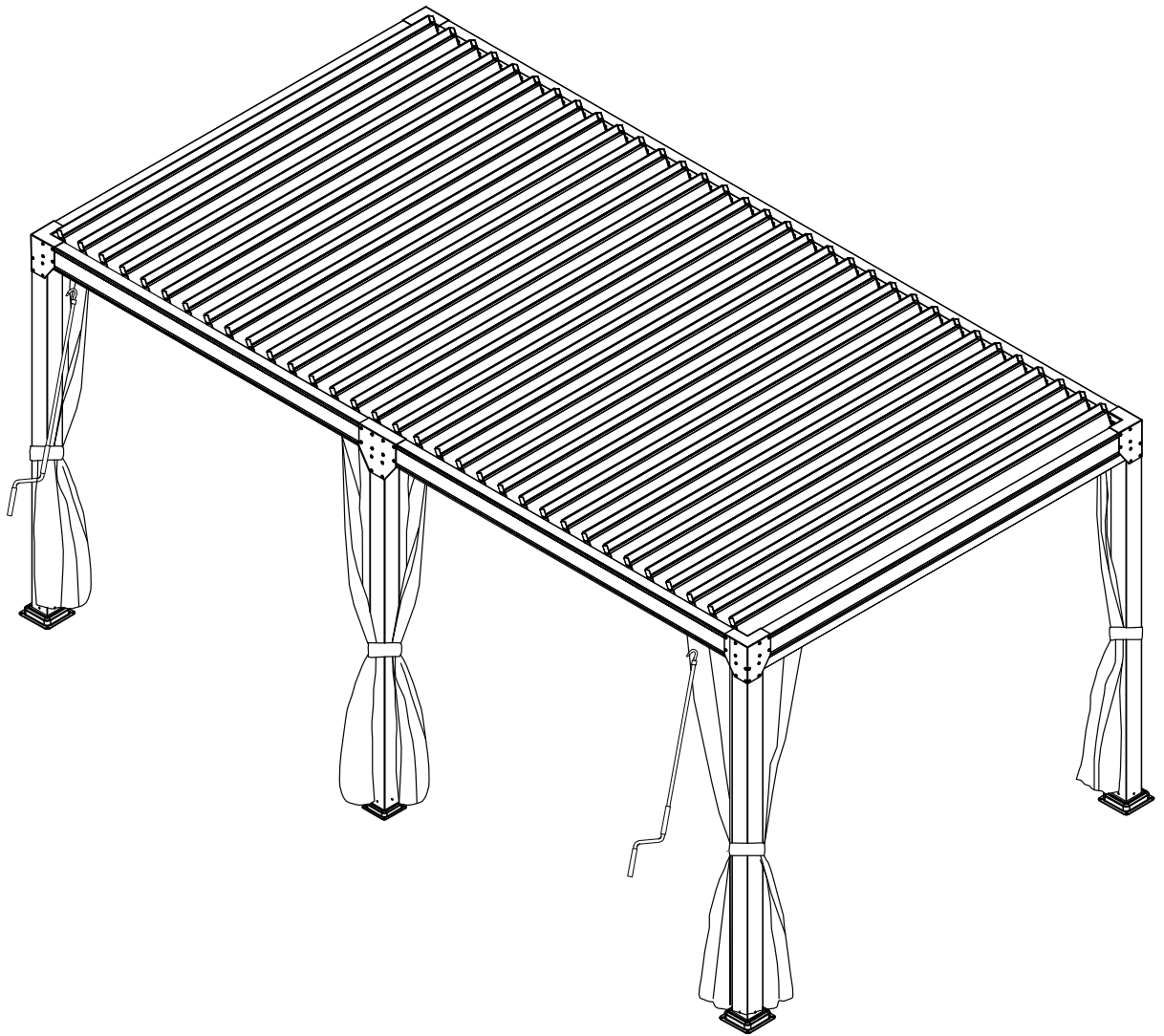


L 112x

<10>



<11>



IF YOU PURCHASED THE PERGOLA
ONLINE AND HAVE ANY QUESTIONS
OR CONCERNS PLEASE CONTACT
US WITH EMAIL OR Message

Email: hiwarrantyservice@outlook.com
TEXT: +1 628-263-4608