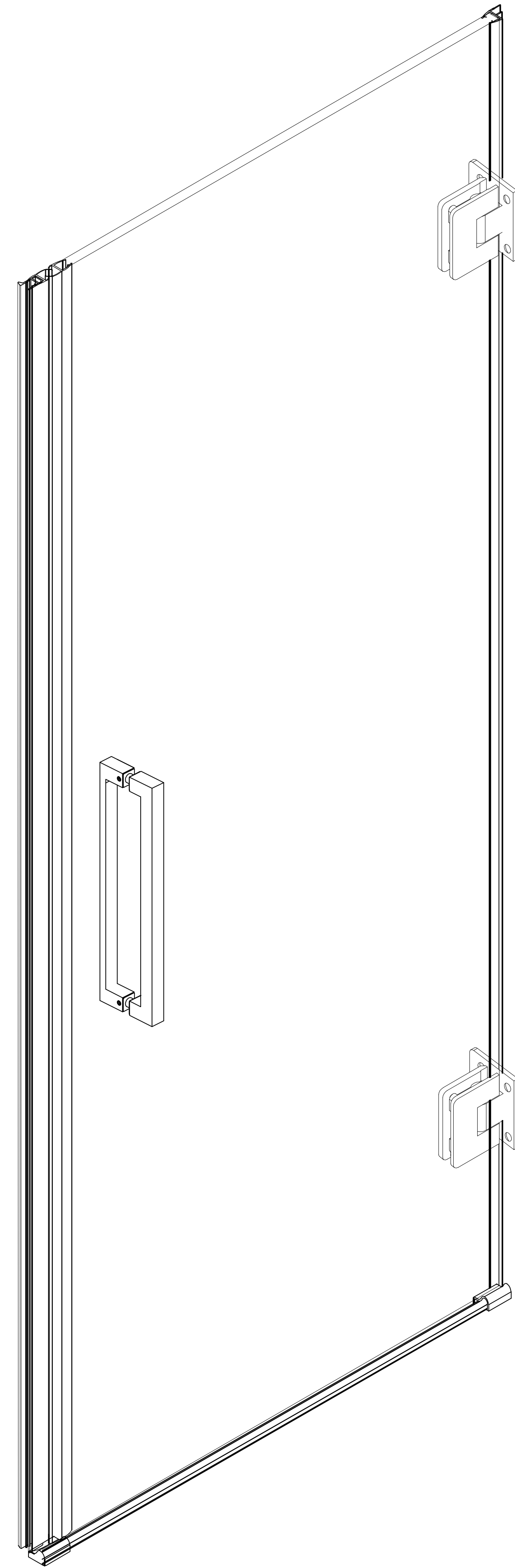


Left Hand Install



Right Hand Install

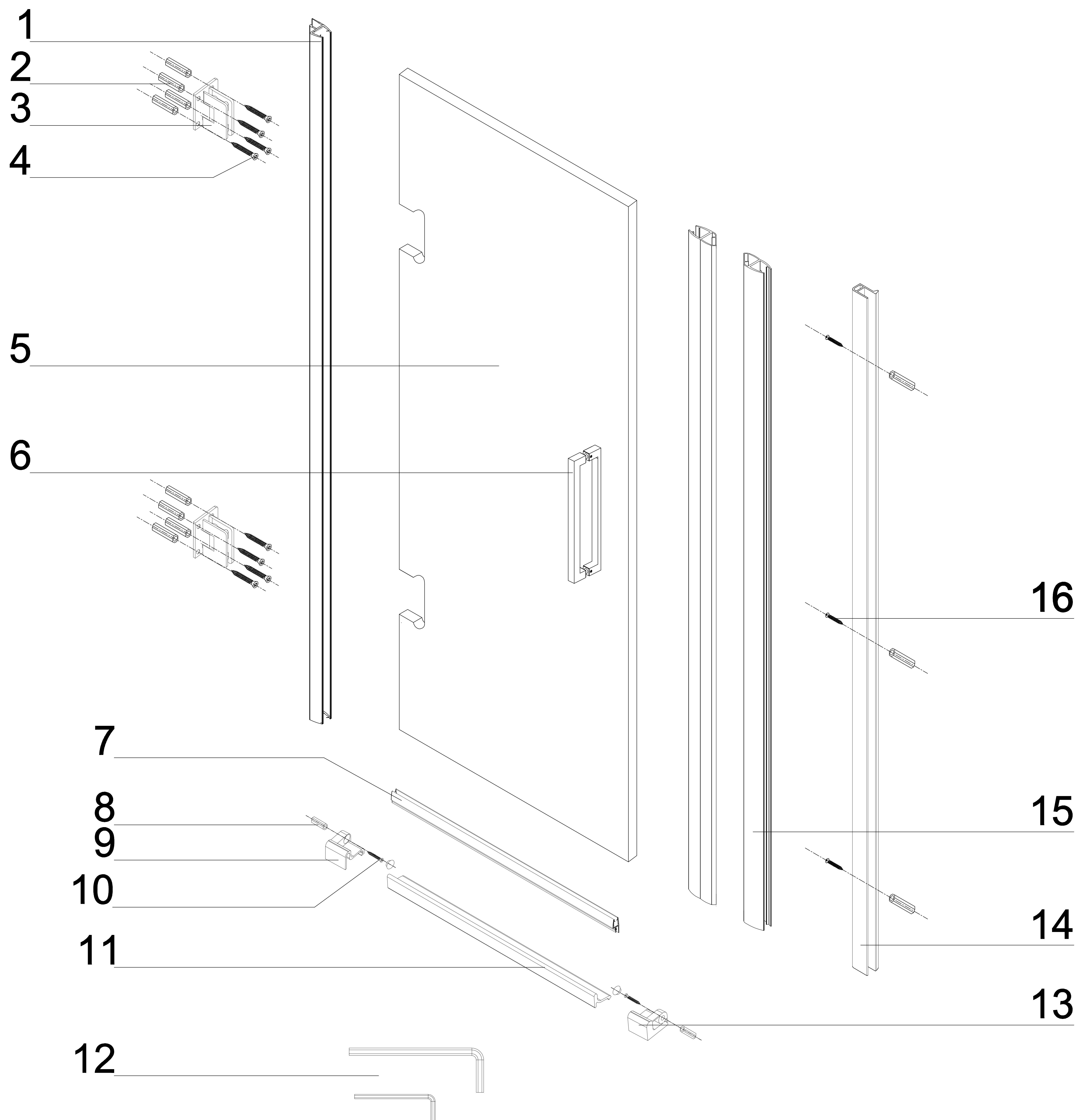
---

Customer Support: 1-877-897-1222  
After-sale service: [felyl@outlook.com](mailto:felyl@outlook.com)  
Hours of Operation: M-F 9 AM-5:00PM

Scan for  
instruction video

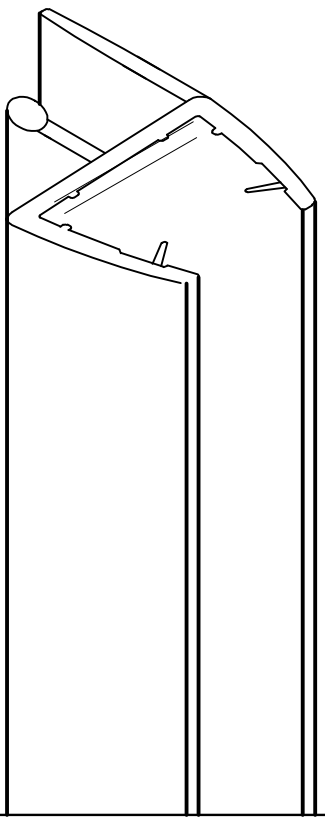
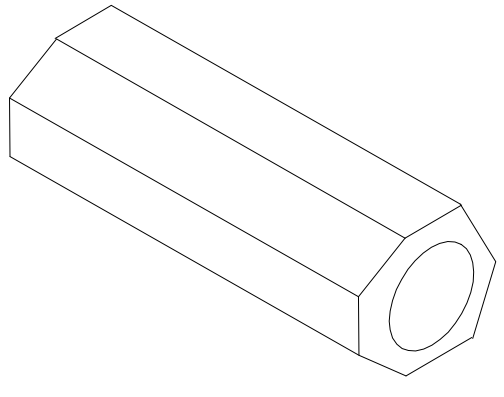
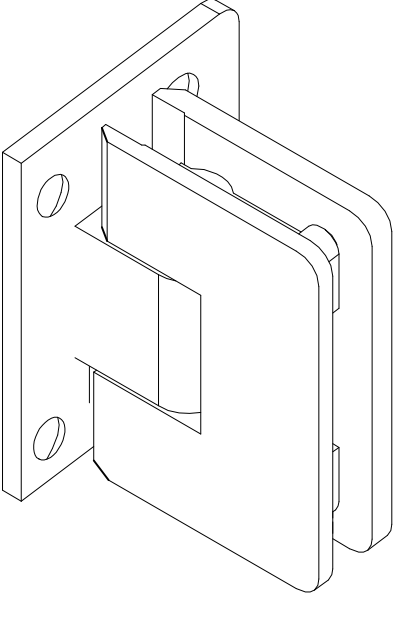
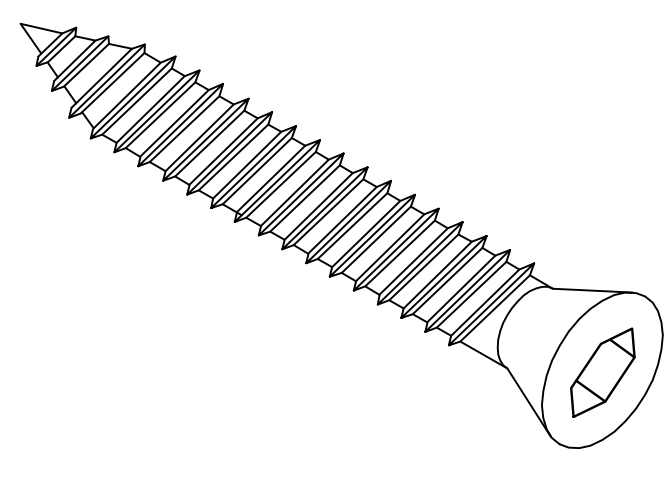
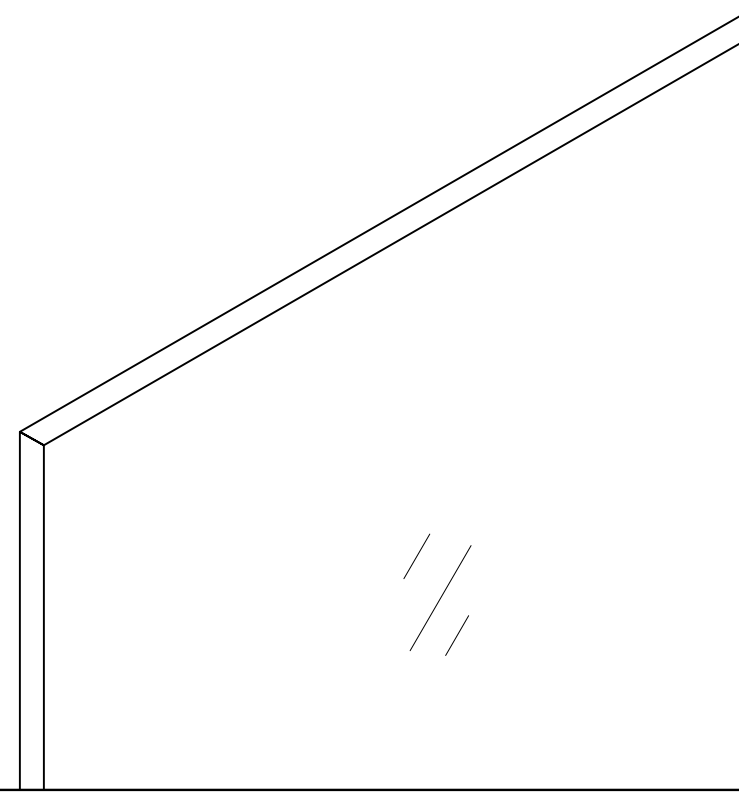
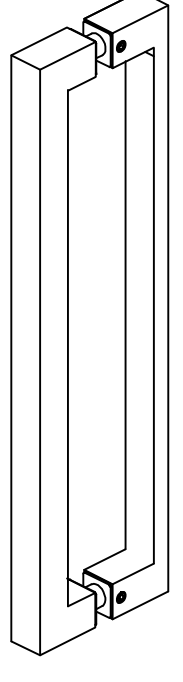
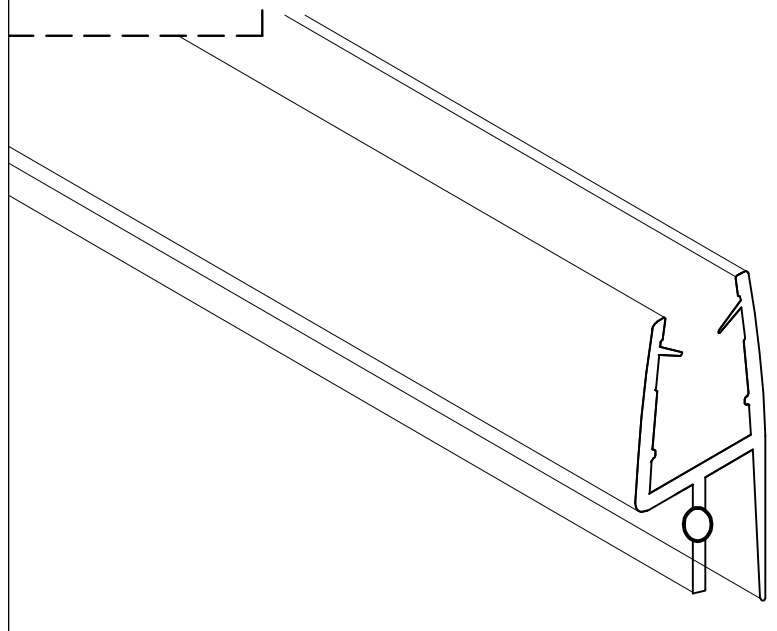
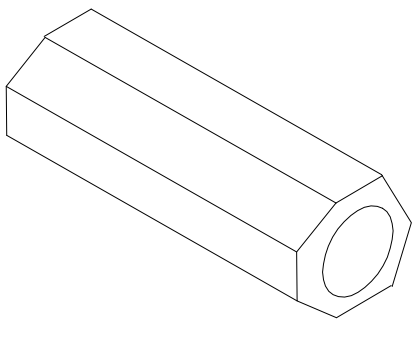
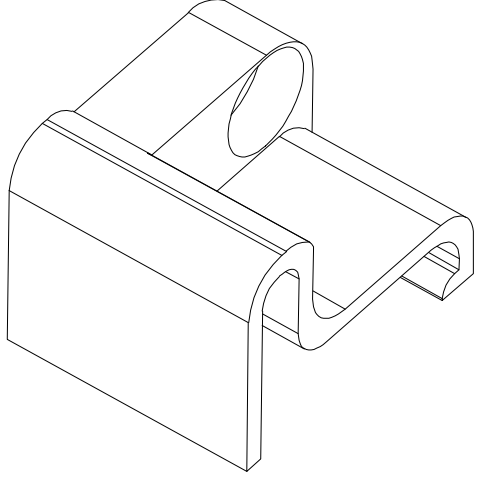
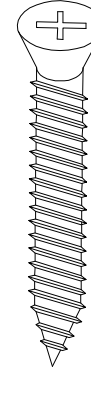
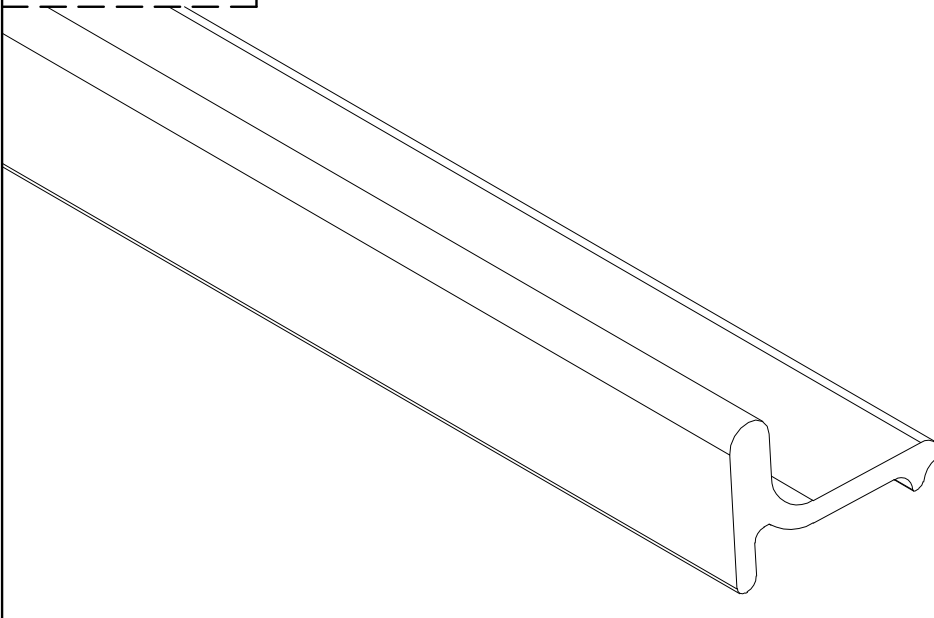
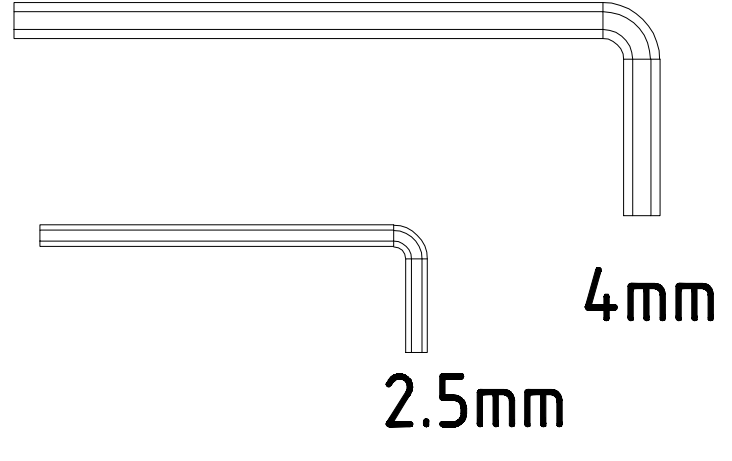
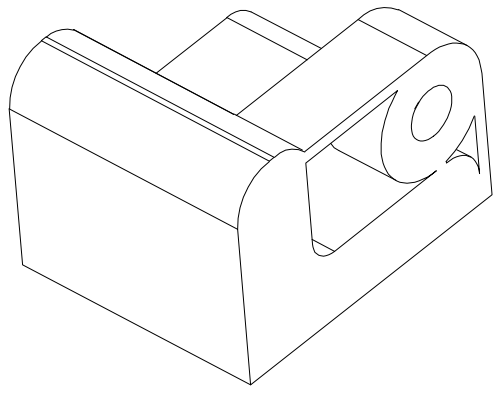
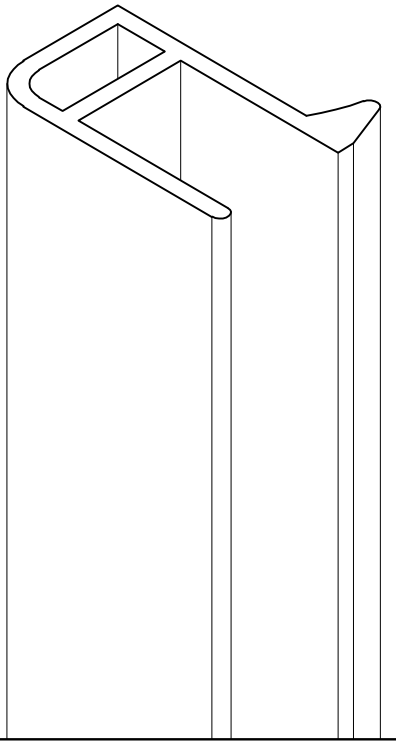
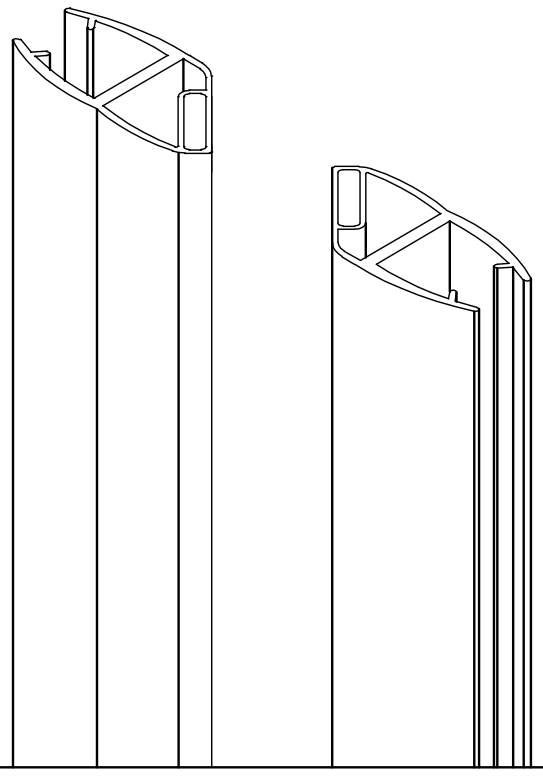
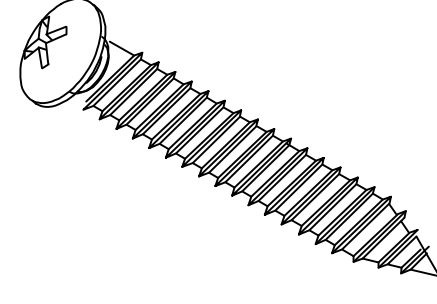


# Detailed Diagram

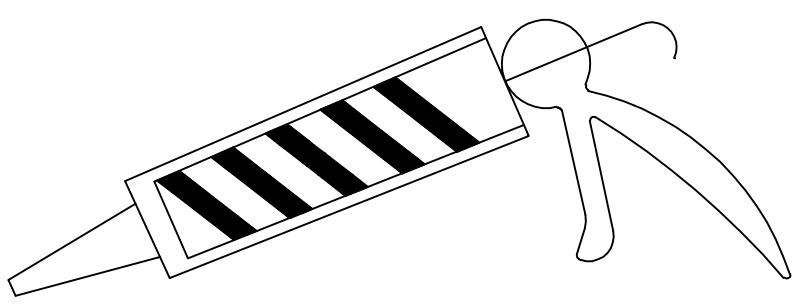
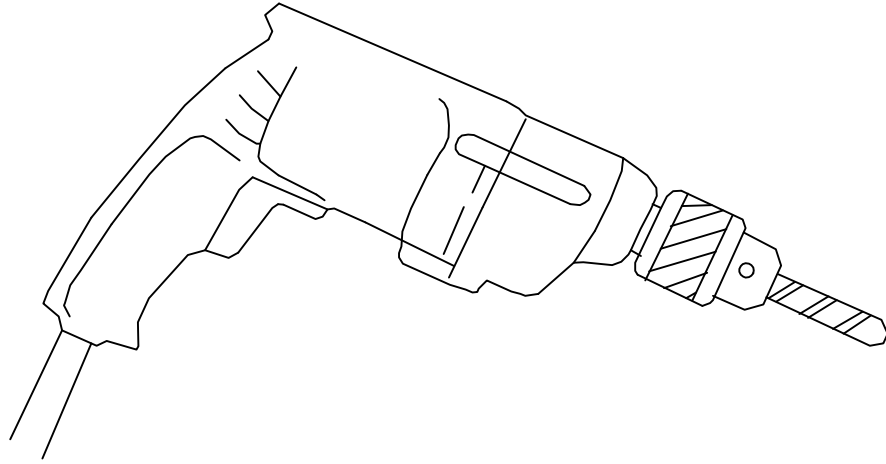
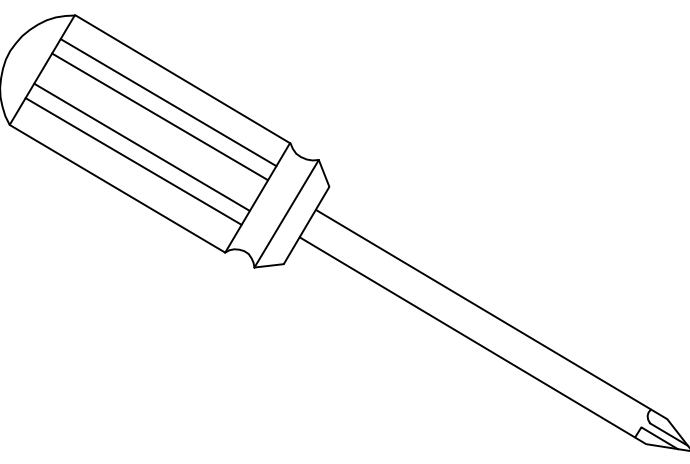
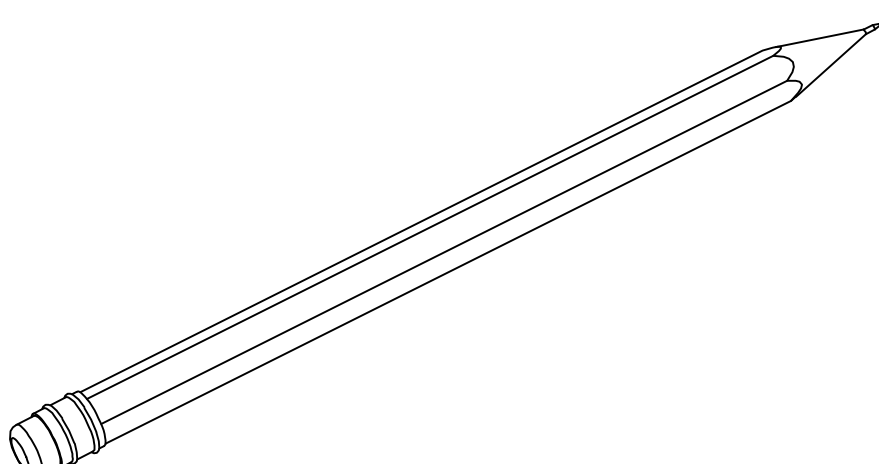
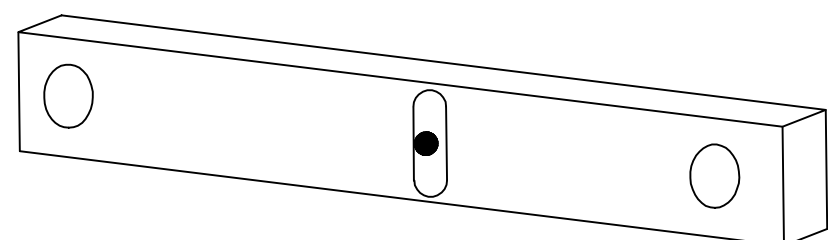
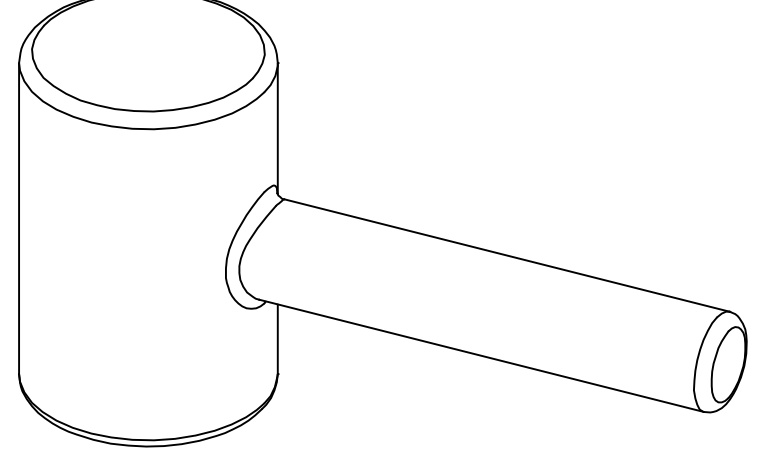
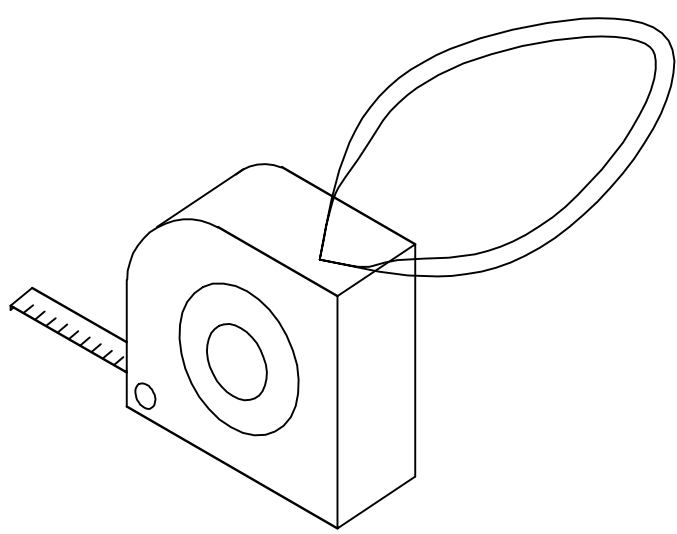
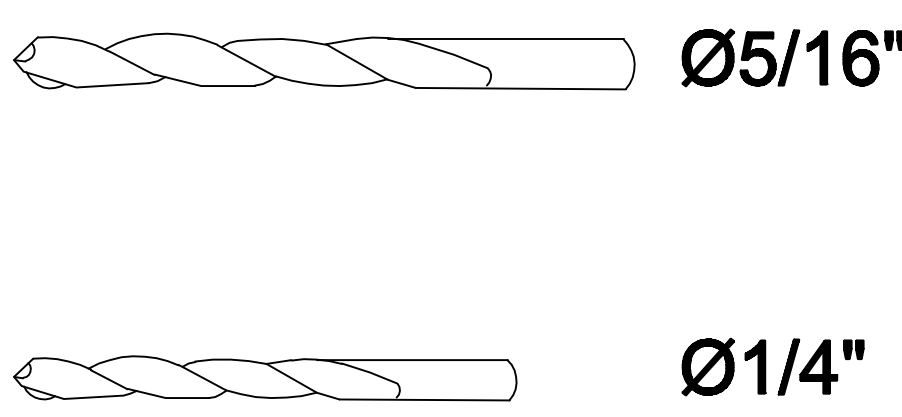
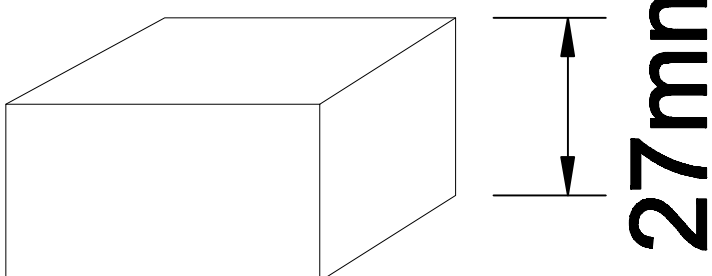
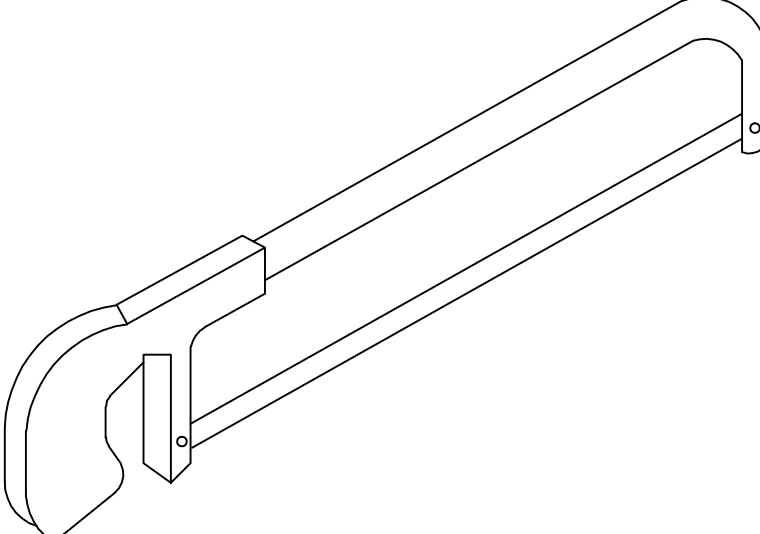




# PART LIST

Check all parts according to the list before assembly . Feel free to contact with us if you need assistance .

					
Shower door side seal strip A(1PC)	Plug 8*36(8PCS)	Wall-mounted shower door hinge(2PCS)	Screw 5*40(8PCS)	Shower door (1PC)	Push pull door handle(1PC)
					
Shower door bottom seal strip B(1PC)	Plug 6*28(5PCS)	Left-hand-side connector(1PC)	Screw 4*20(2PCS)	Aluminum strip(1PC)	Allen Wrench(2PCS)
					
Right-hand-side connector(1PC)	Wall-mounted magnetic strip stabilizer(1PC)	Magnetic strip(2PCS)	Screw 4*30(3PCS)		

## Recommended Tools

					
Silicone	Drill	Philips Screw Driver	Pencil	Level	Rubber Mallet
					
Tape Measure	Drill Bit Ø5/16" Ø1/4"	Wooden Jam 27mm	Hacksaw	Safety Glass	Safety Gloves

\*Utilize Safety Glasses and Safety Gloves when constructing this shower door\*



## **Product installation attention and maintenance**

**Note:** When installing, the glass corner protector cannot be dropped. And glass corners cannot touch the ground

**GLASS:** To ensure long lasting life for your glass shower products: wipe them off after each use with a soft cloth. Rinse and wipe off the glass using either a soft cloth or a squeegee to prevent soap buildup and water spots (Hard water can etch the surface of the glass over time if left to dry). To prevent scratching the surface: never use abrasive cleaners or cleaning products that contain scouring agents. Never use bristle brushes or abrasive sponges that may scratch the surface.

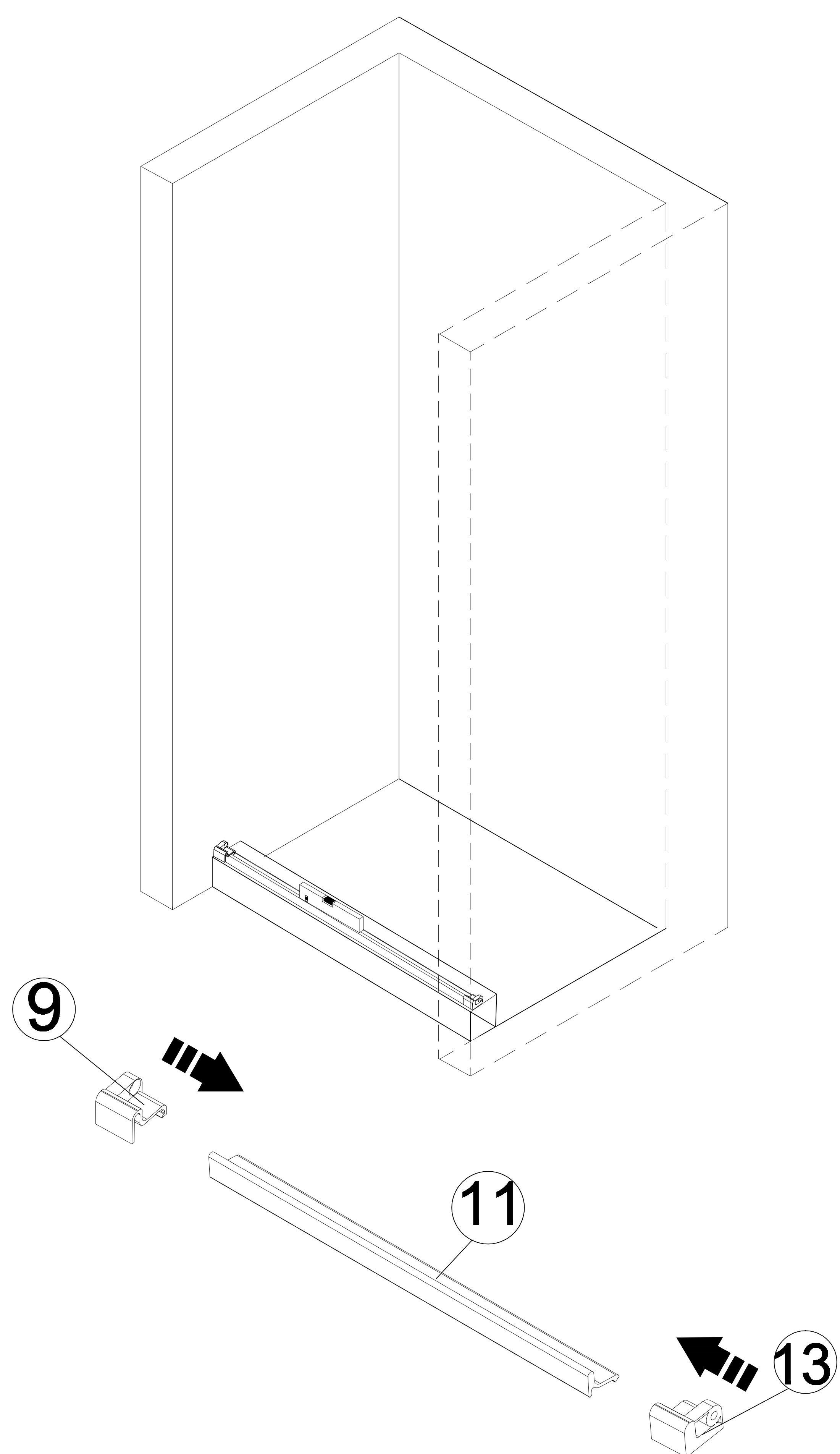
**HARDWARE:** To ensure a long lasting finish: wipe off the metal parts after each use with a soft cloth. Do not use abrasive cleaners or cleaning products containing ammonia, bleach or acid. If accidentally used, rinse the surface as soon as possible to prevent damage to the finish (peeling or corrosion). After cleaning the polished finishes, rinse thoroughly and wipe dry with soft cloth. Clean stainless steel surfaces at least once a week. When applying stainless steel cleaner or polish to stainless steel hardware, work with (not across) the grain. Never use an abrasive sponge or cloth, steel wool or wired brush as these may permanently scratch the surfaces.

## Left Hand Assembly

### STEP 1

1. Assemble left-hand-side connector(9) and right-hand-side connector(13) to Aluminum strip(11). Let Aluminum strip(11) sit on the tile and level it with a level and mark the hole position of the connectors(9&13) with pencil.

2. Take away the Aluminum strip(11) and drill holes on the markings.

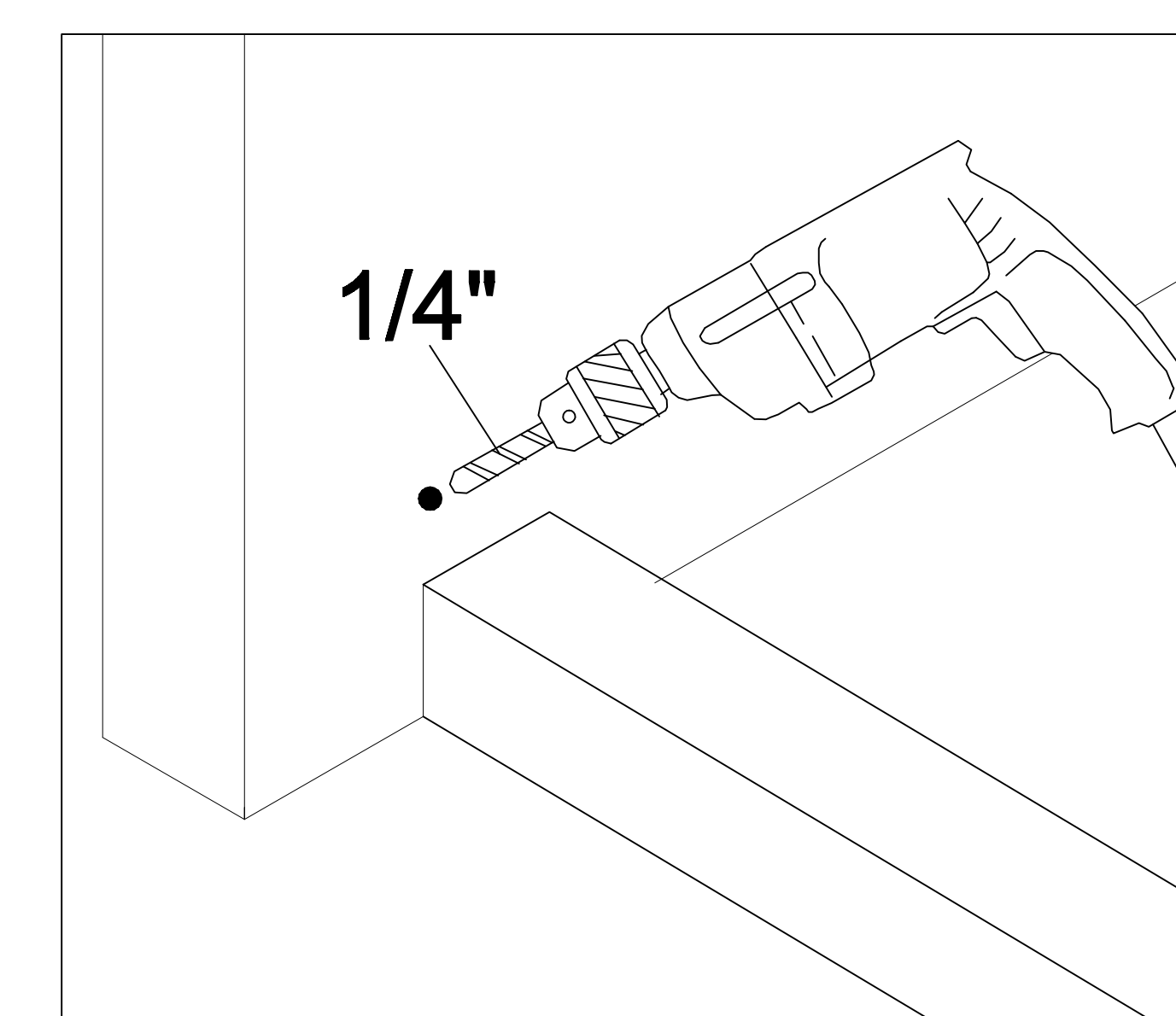
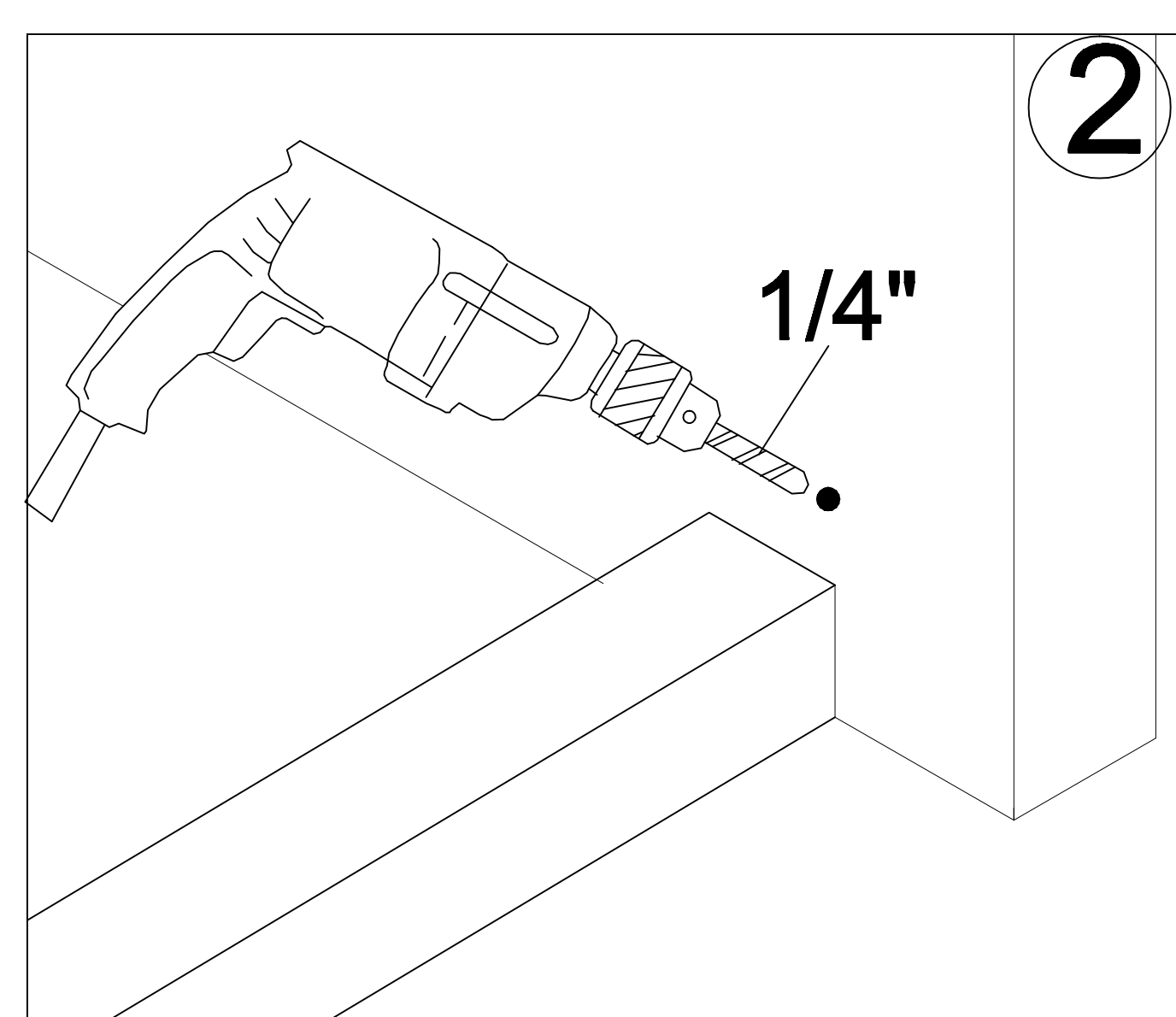
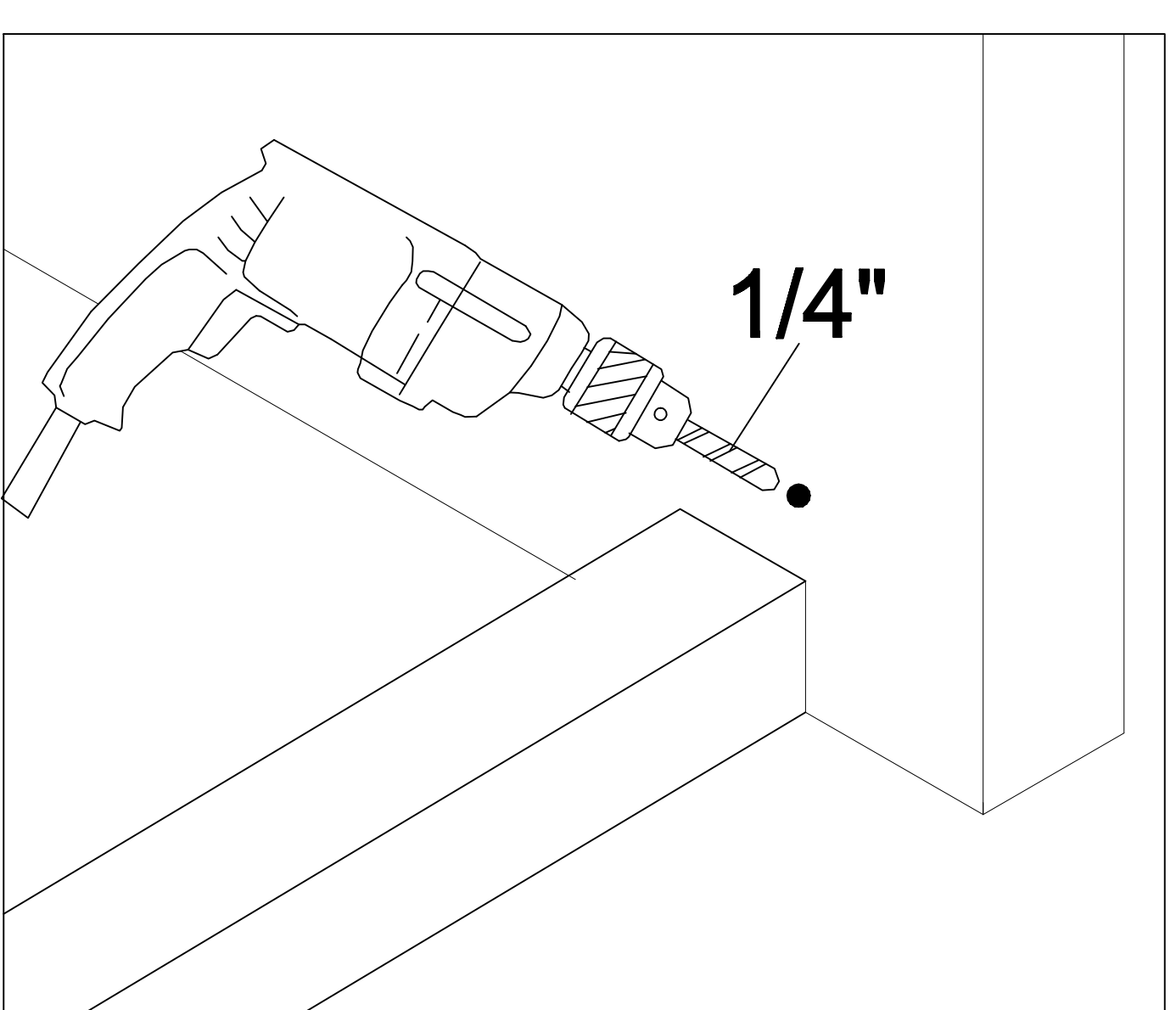
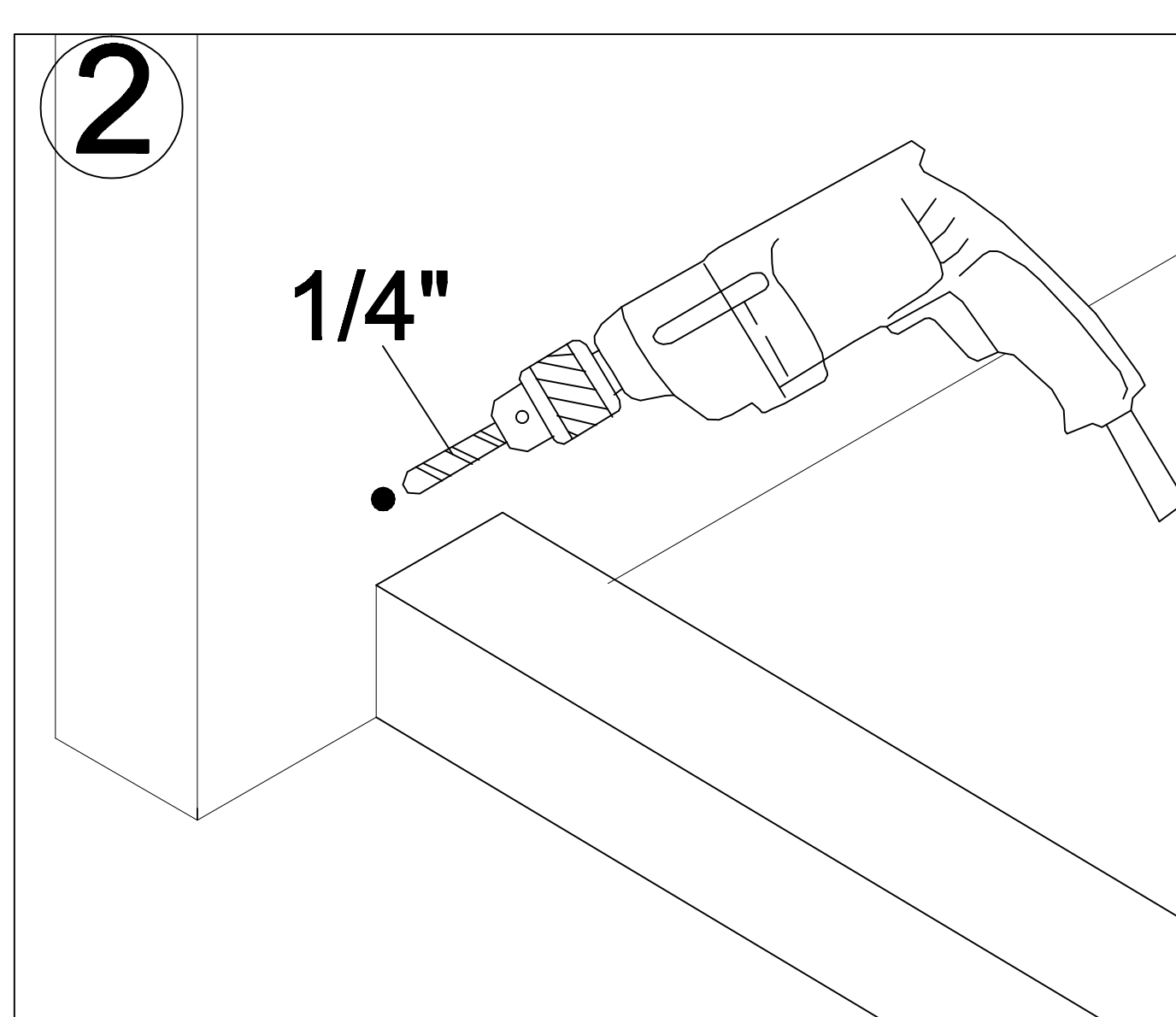
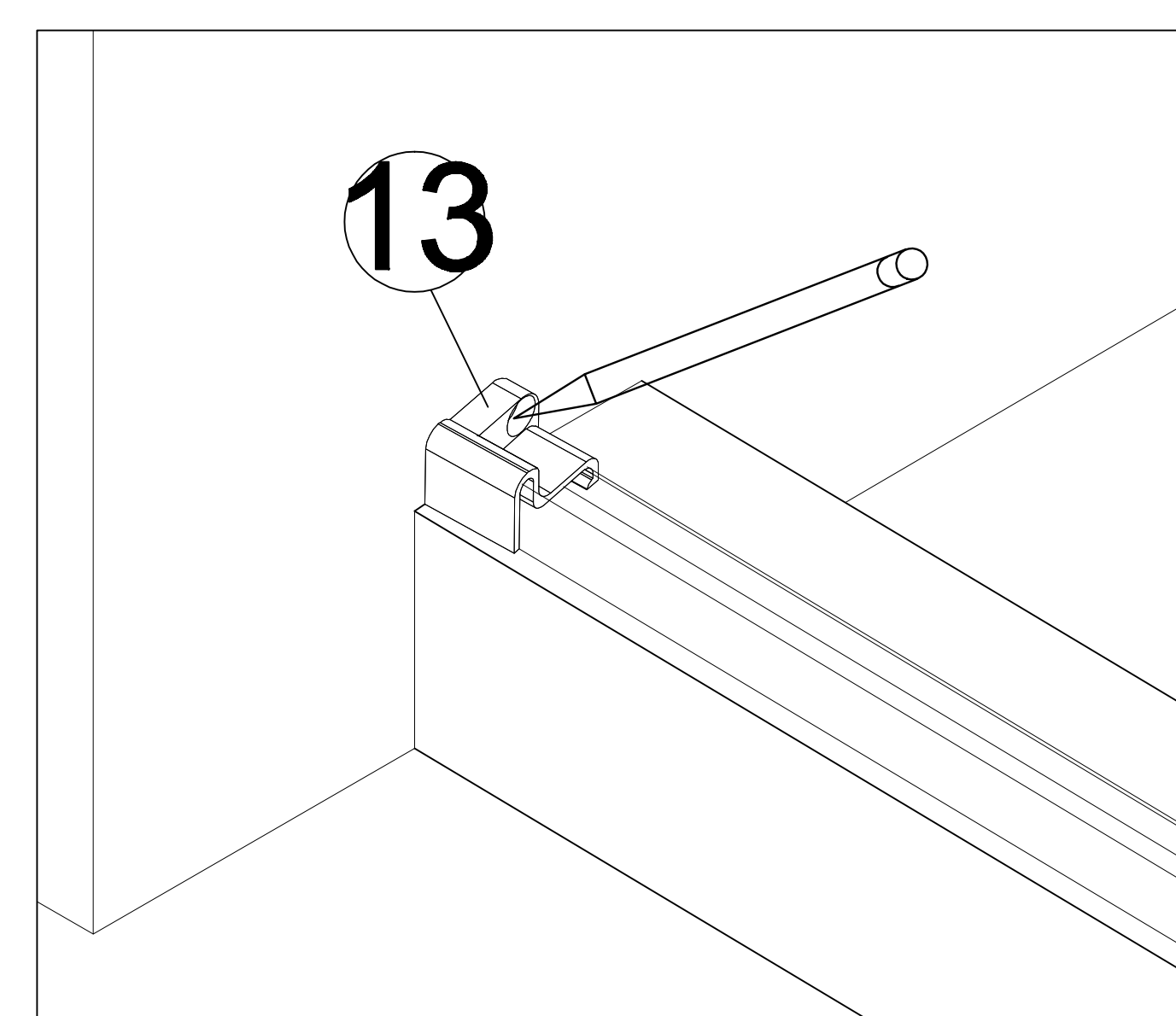
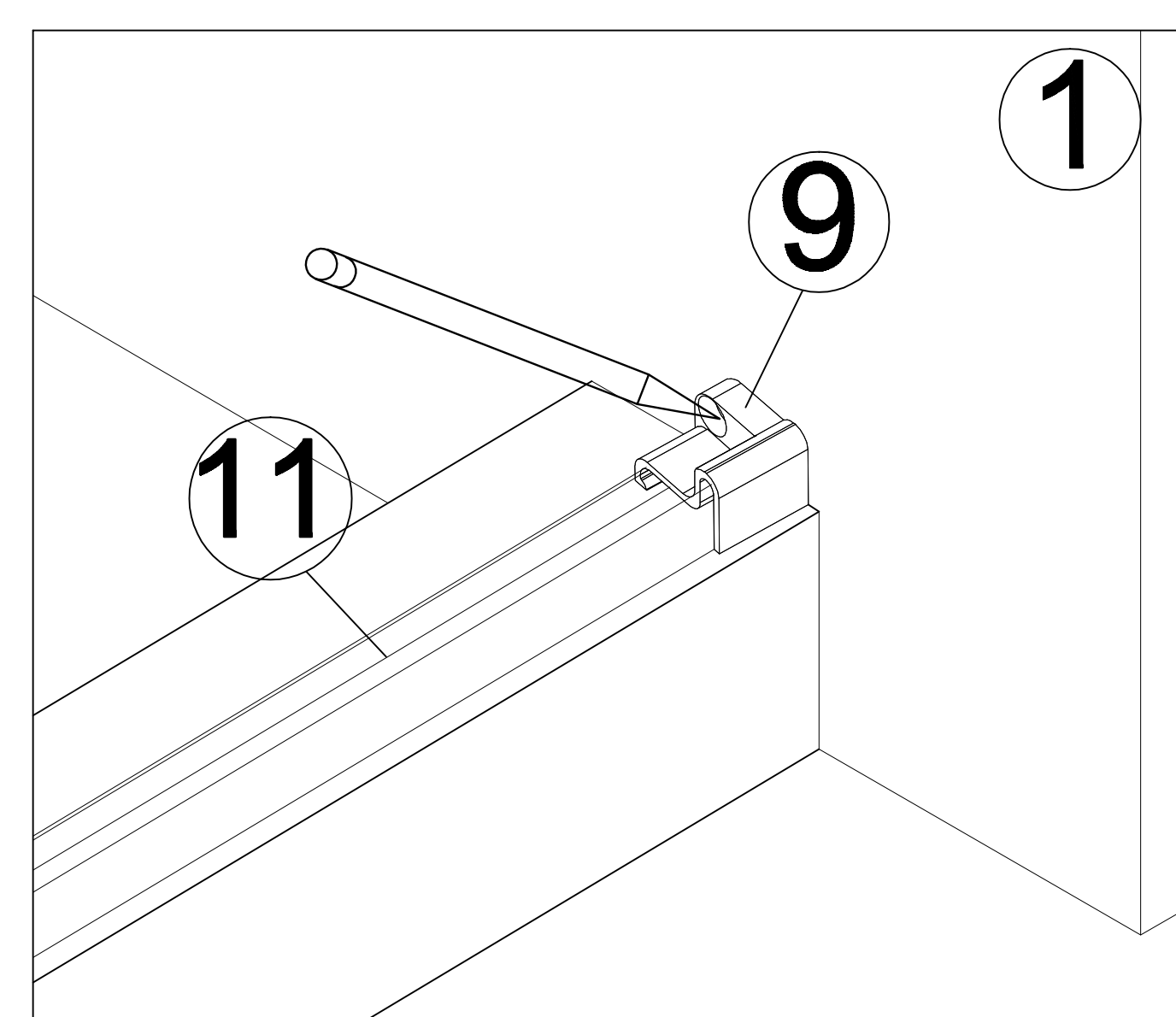
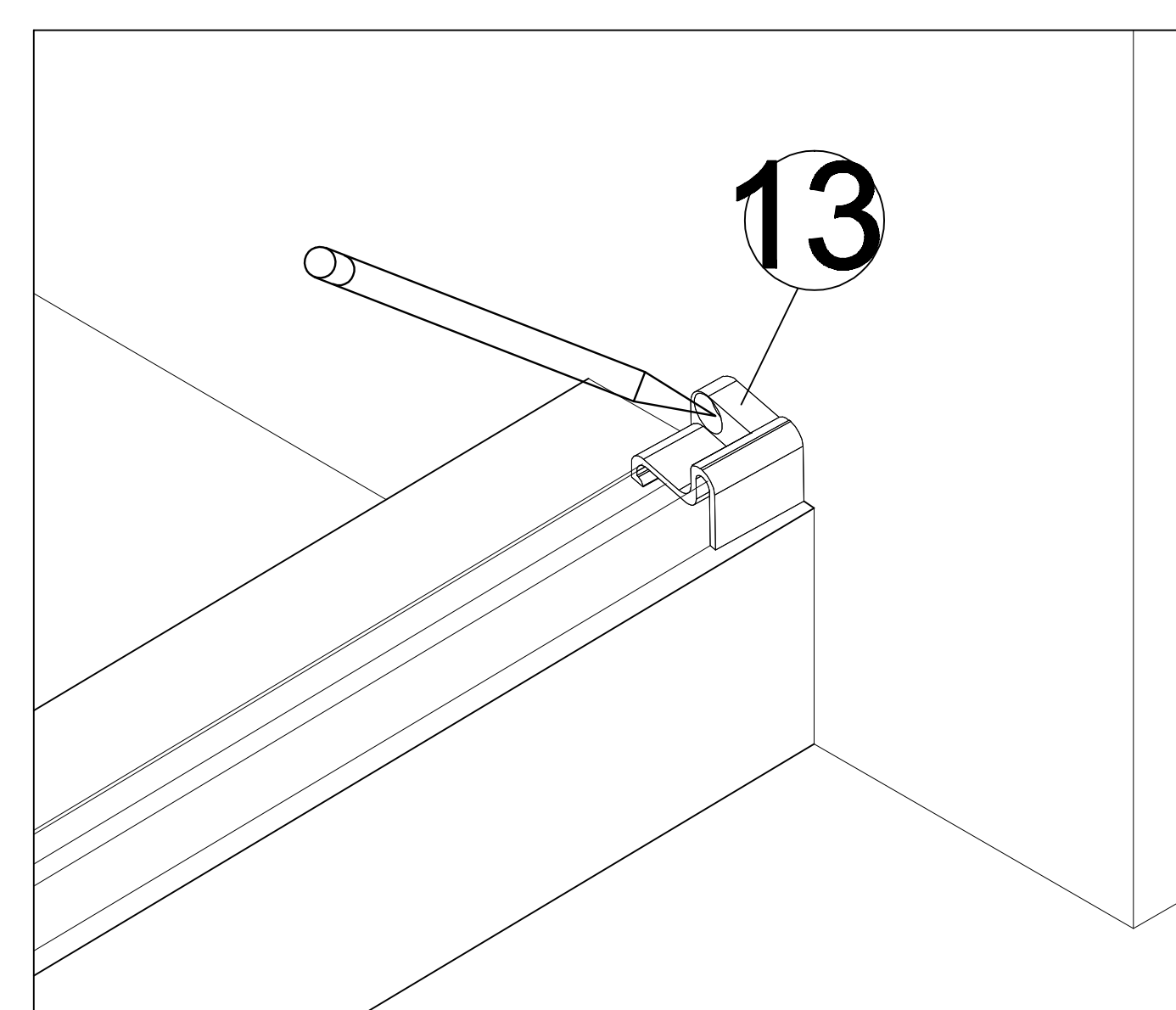
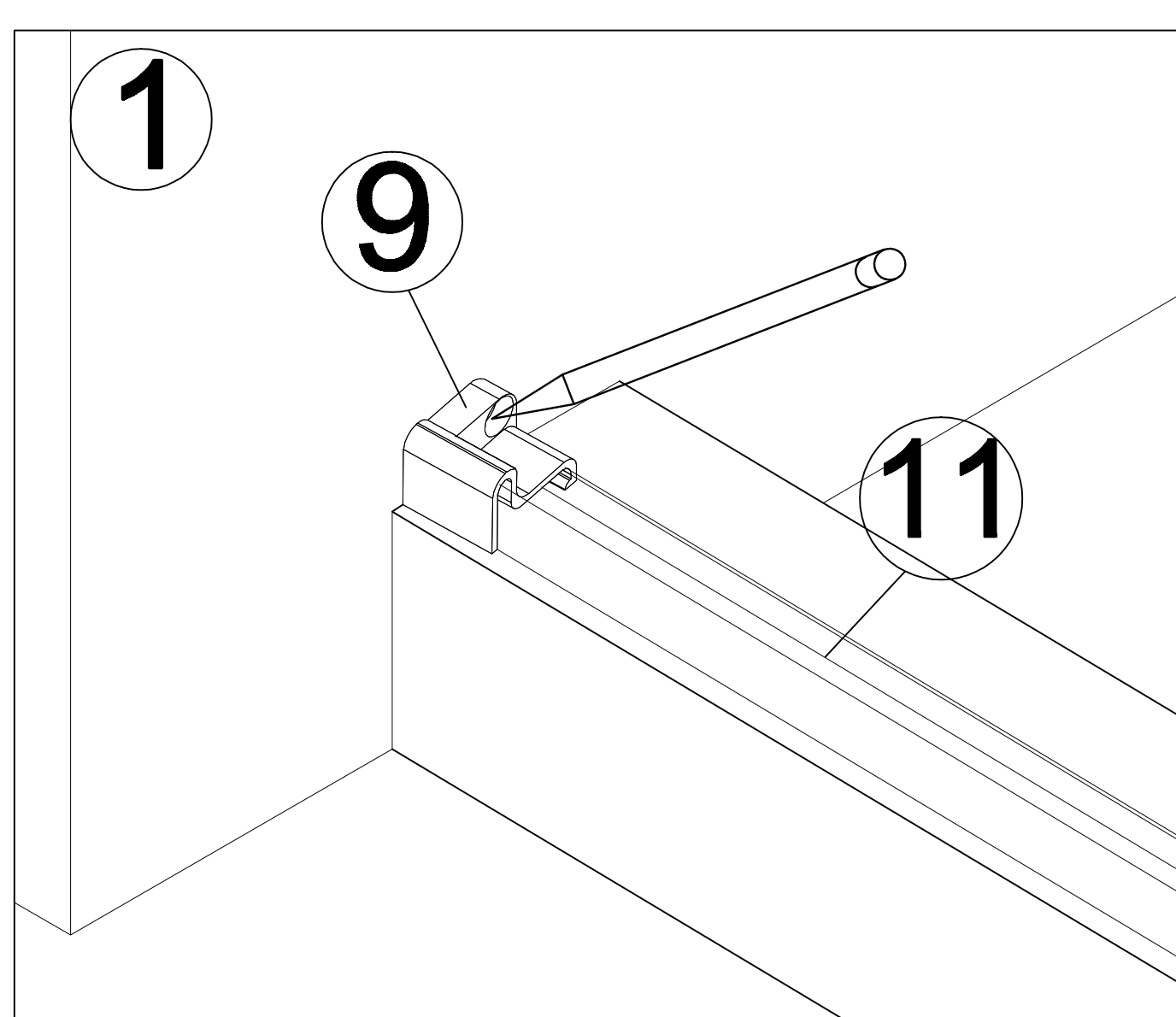
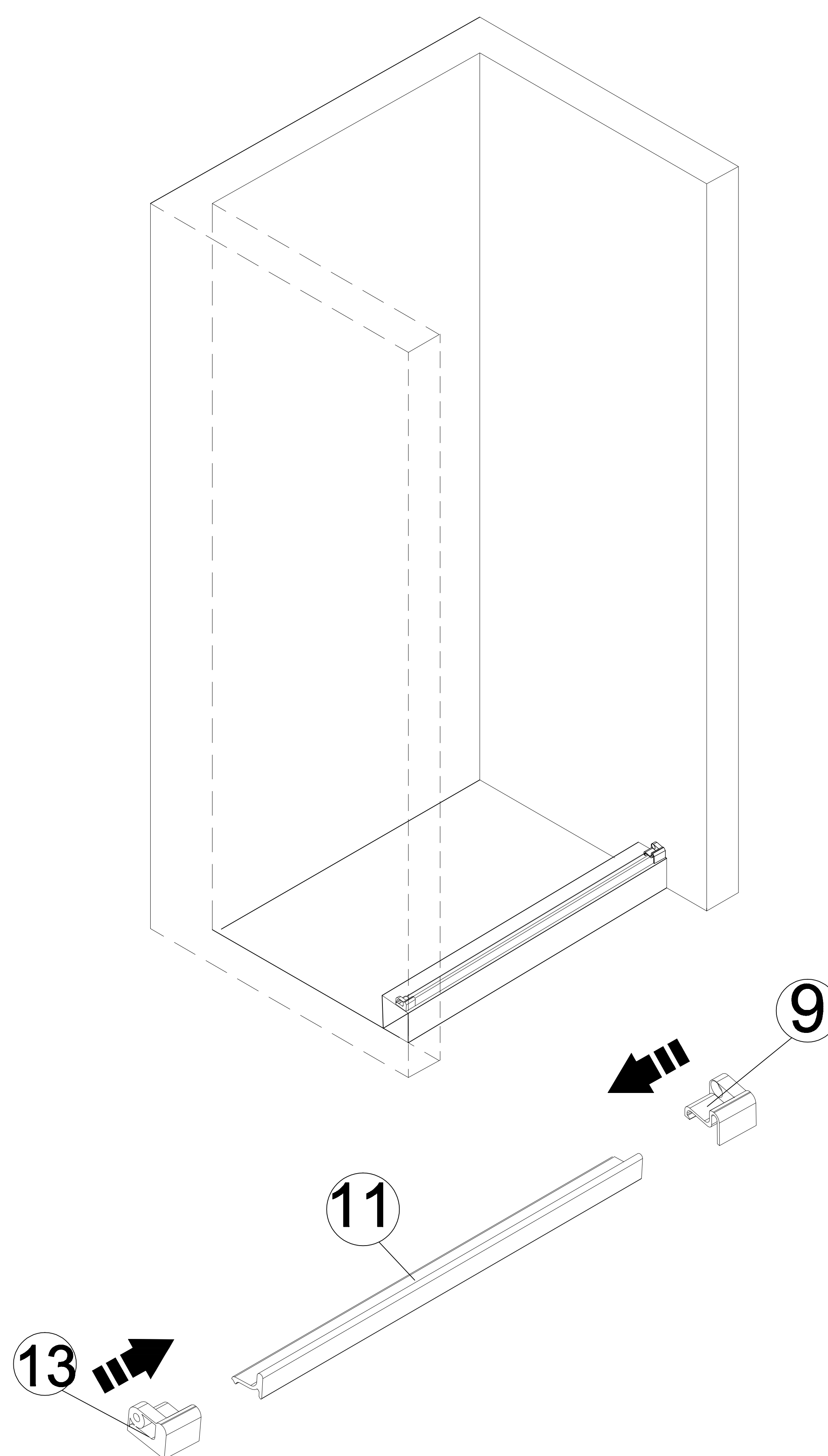


## Right Hand Assembly

### STEP 1

1. Assemble left-hand-side connector(9) and right-hand-side connector(13) to Aluminum strip(11). Let Aluminum strip(11) sit on the tile and level it with a level and mark the hole position of the connectors(9&13) with pencil.

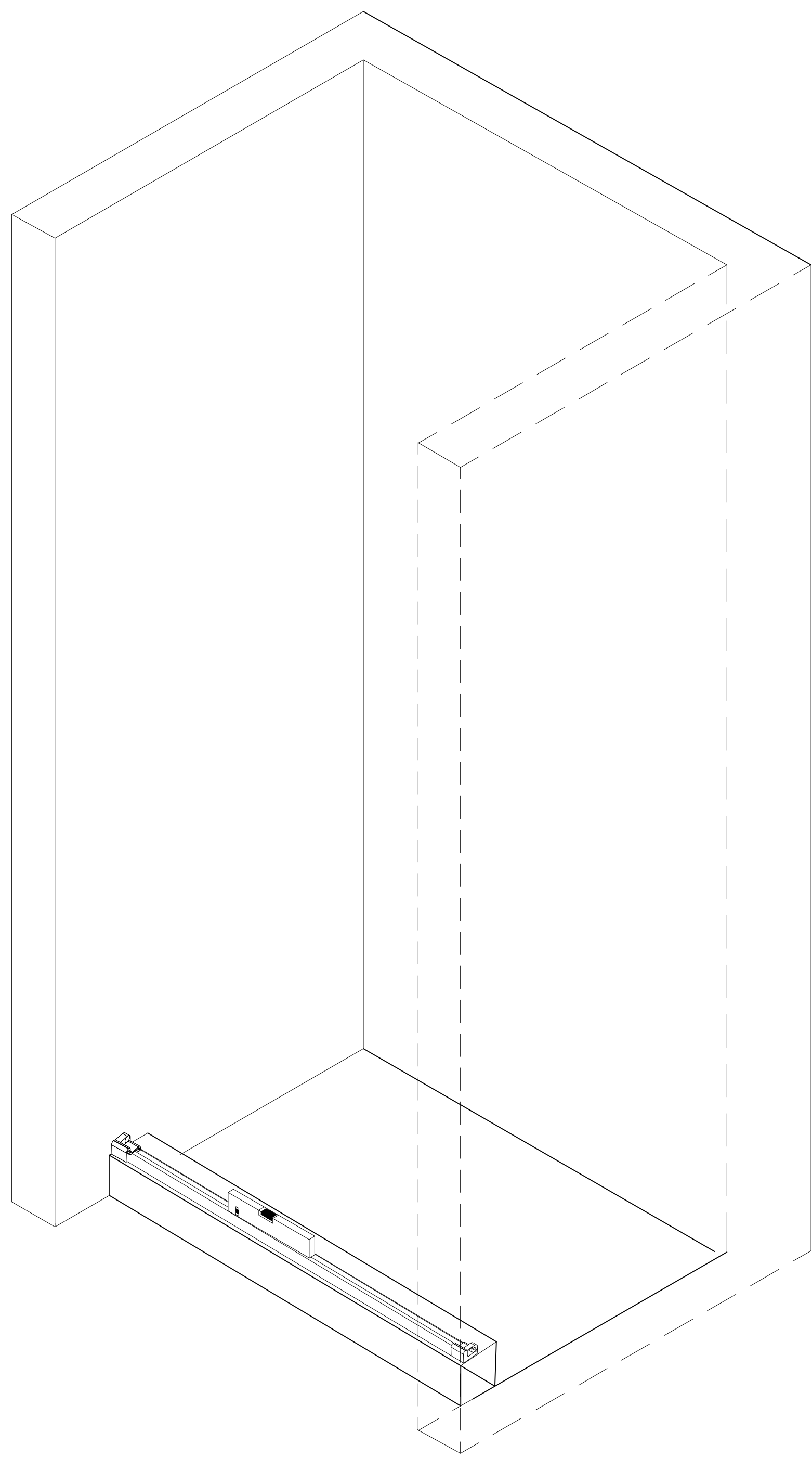
2. Take away the Aluminum strip(11) and drill holes on the markings.



## Left Hand Assembly

### STEP 2

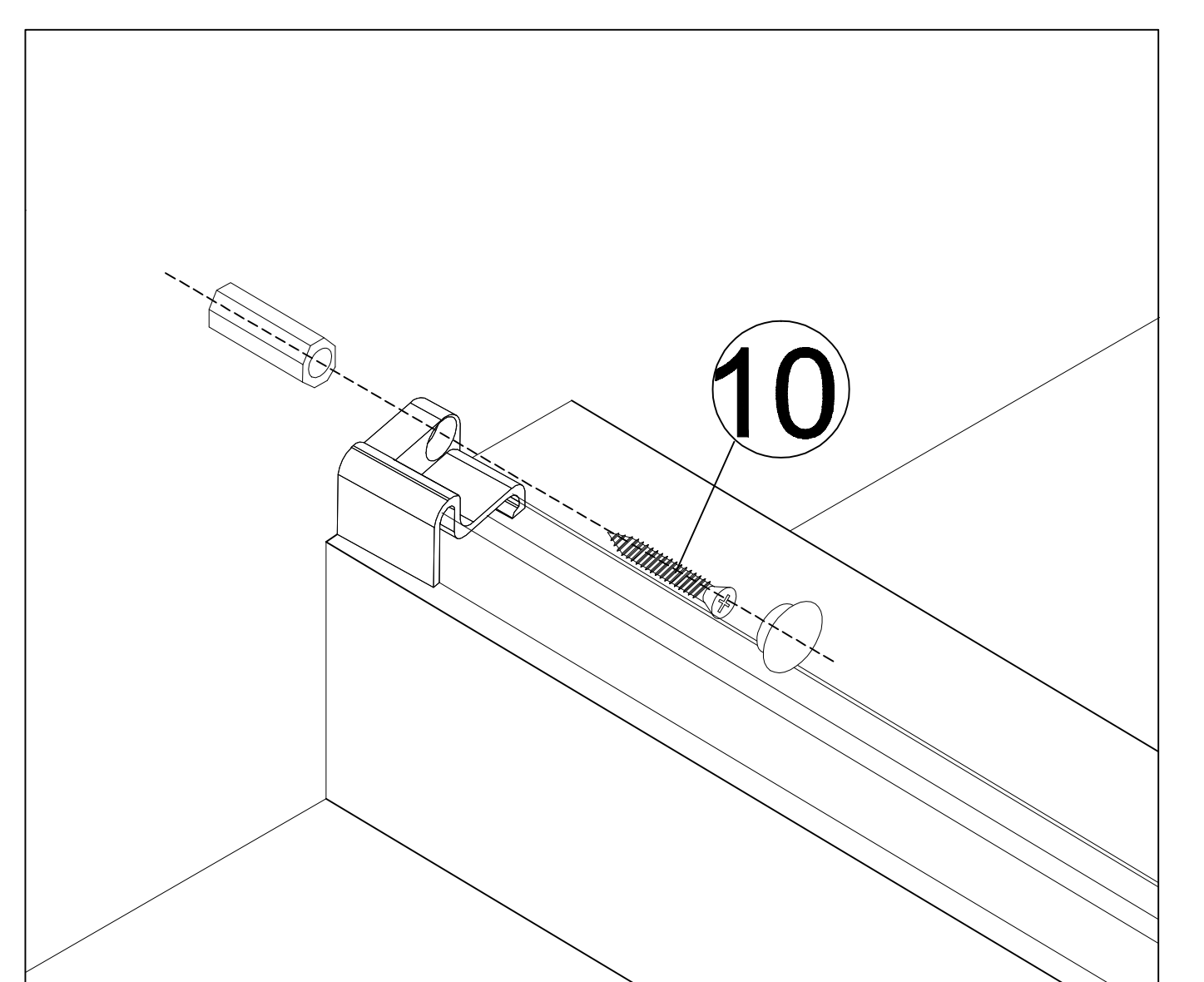
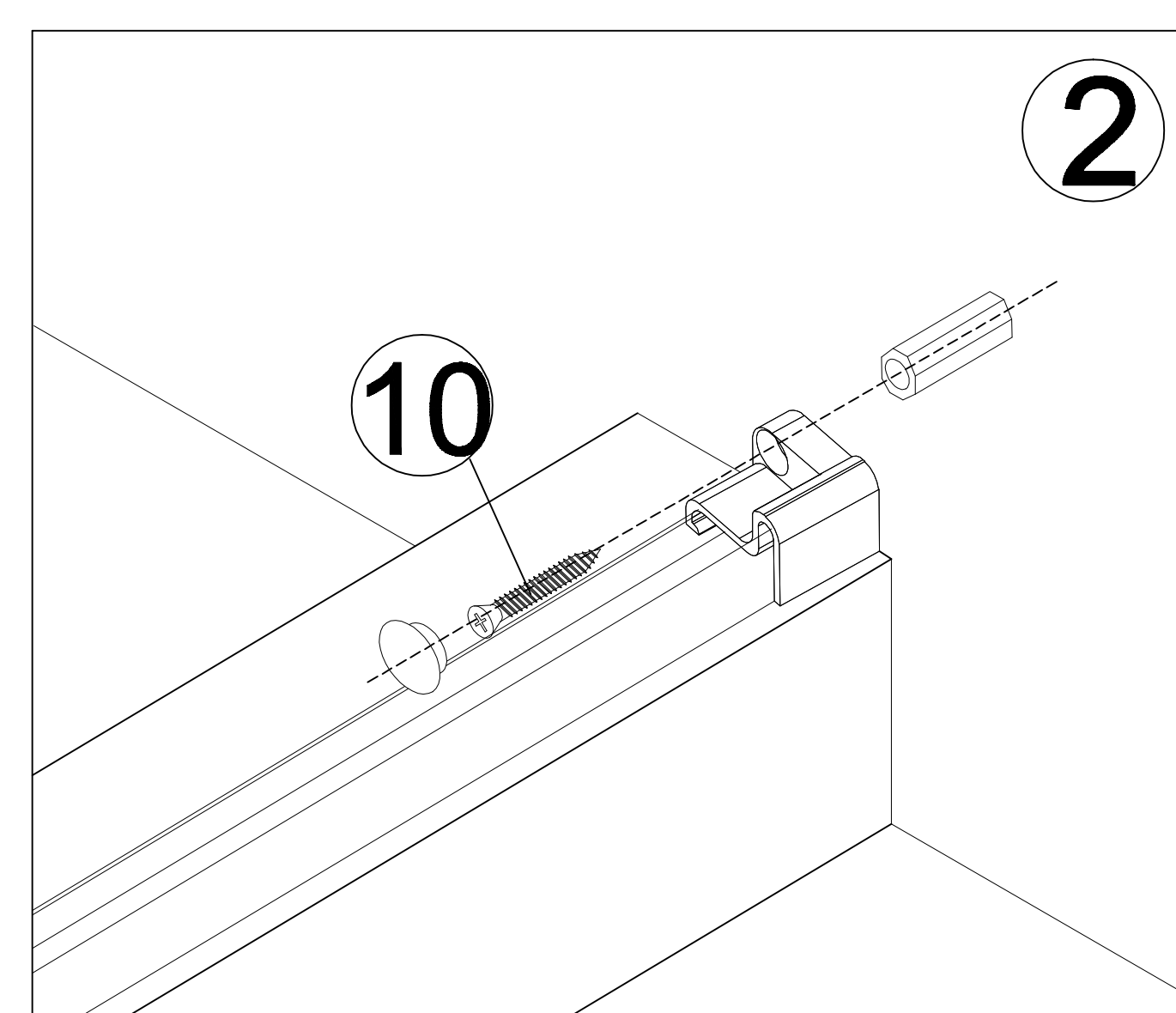
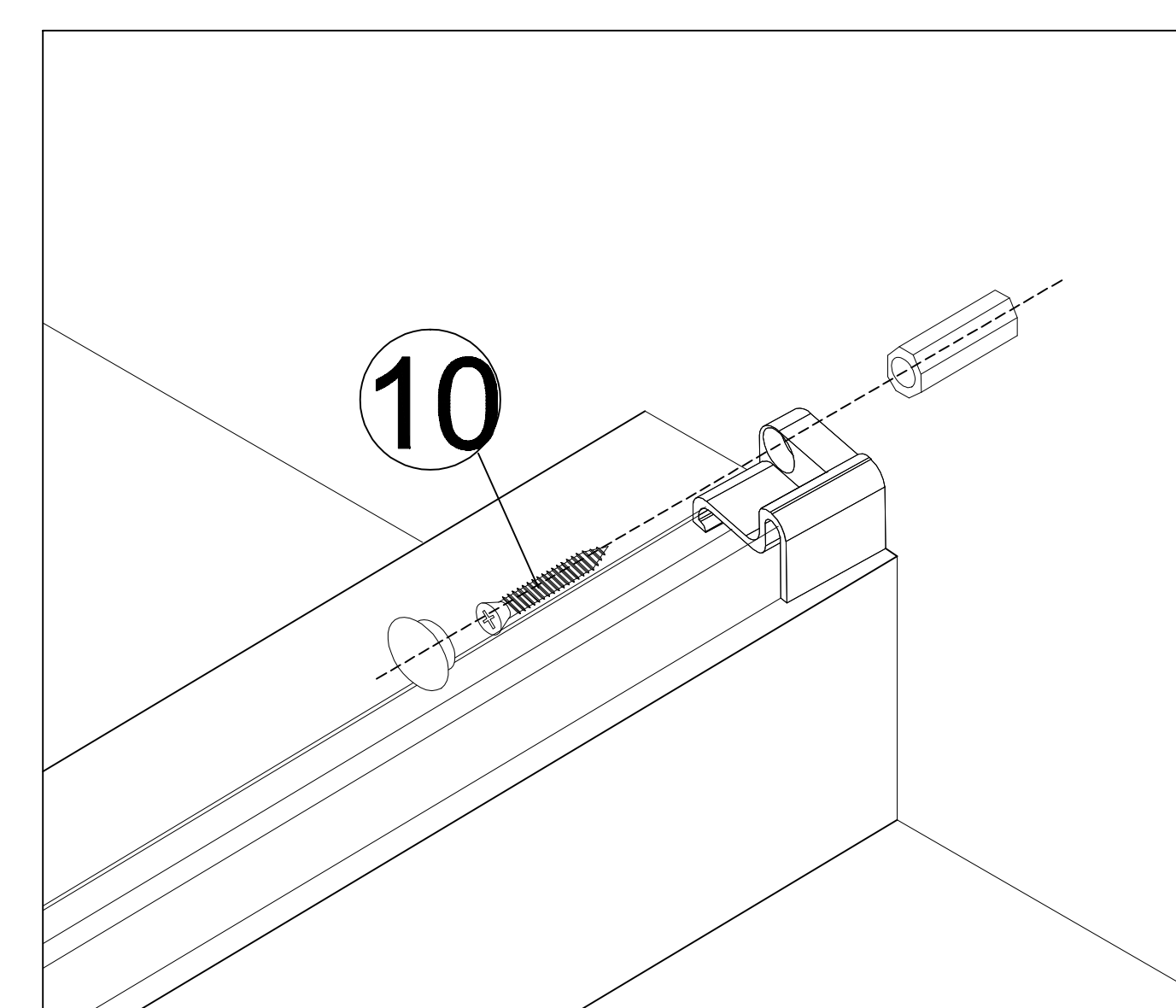
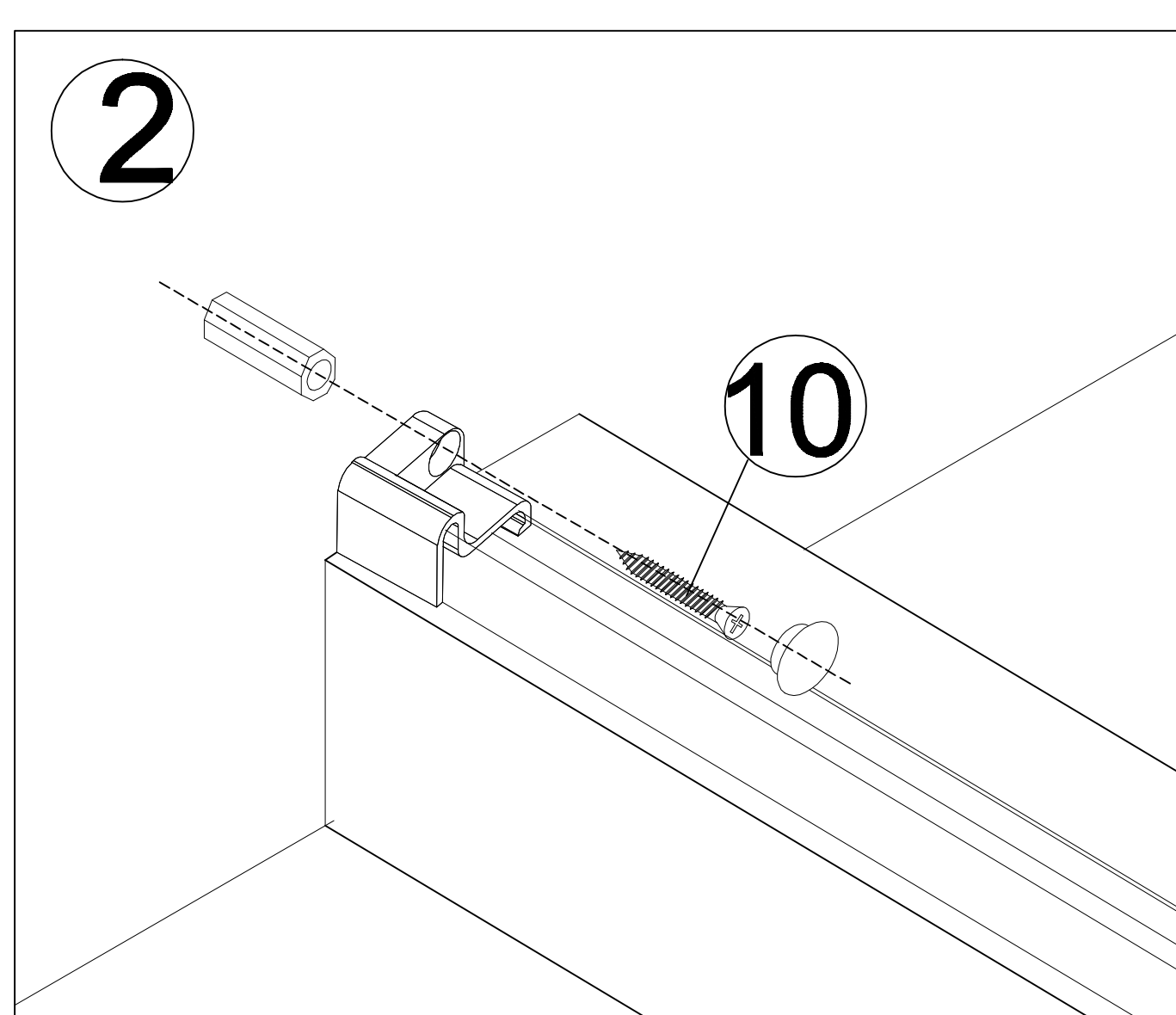
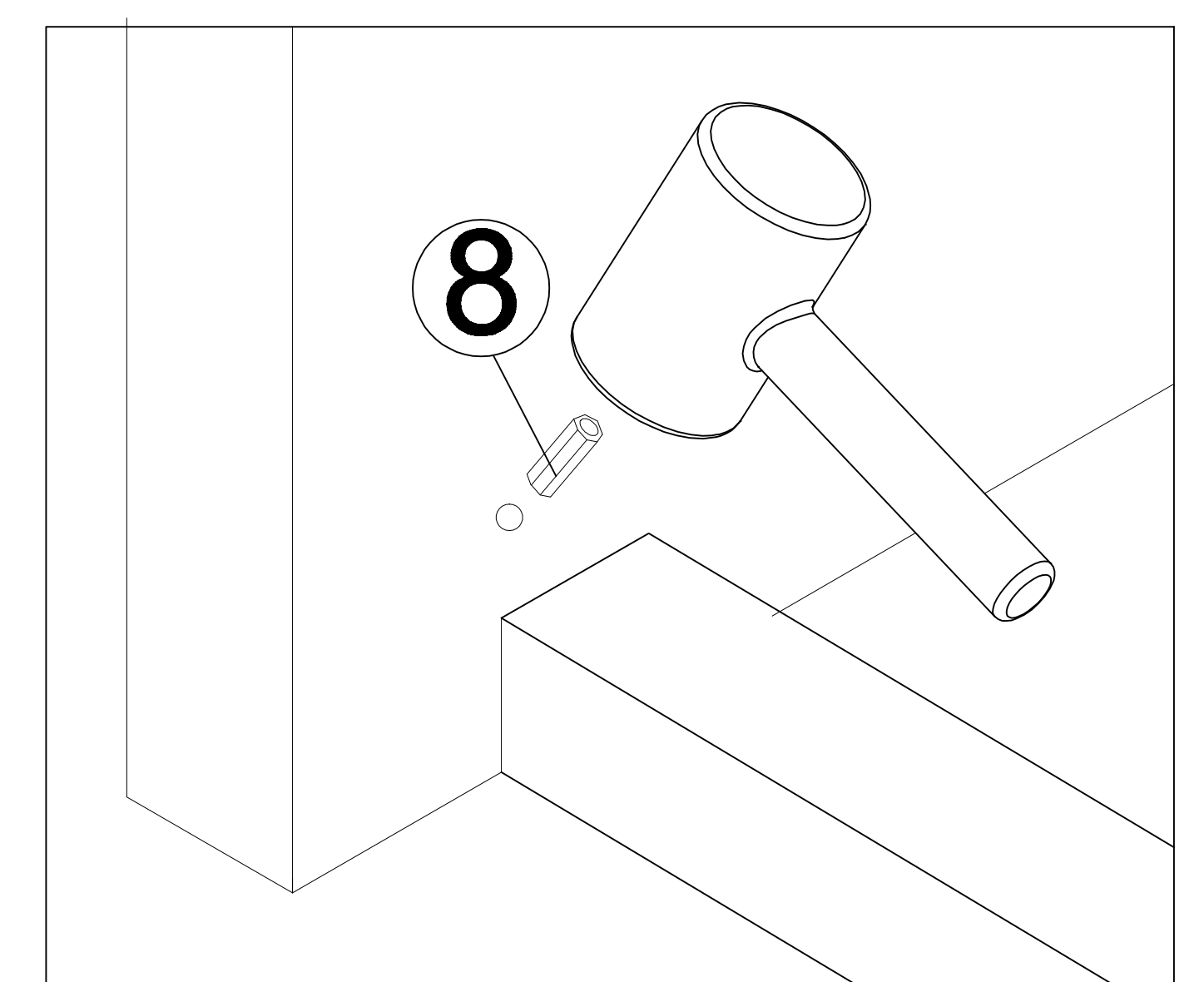
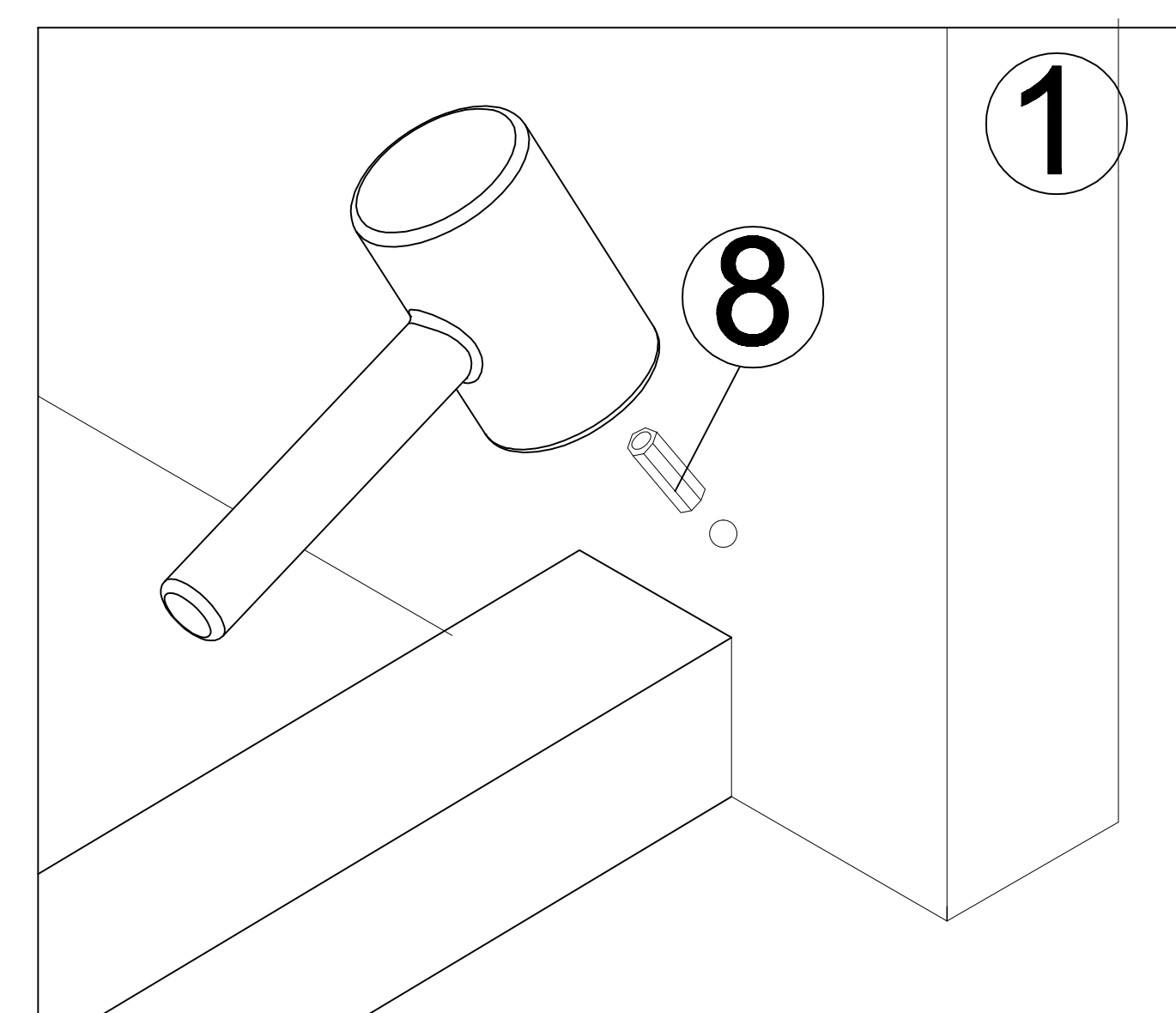
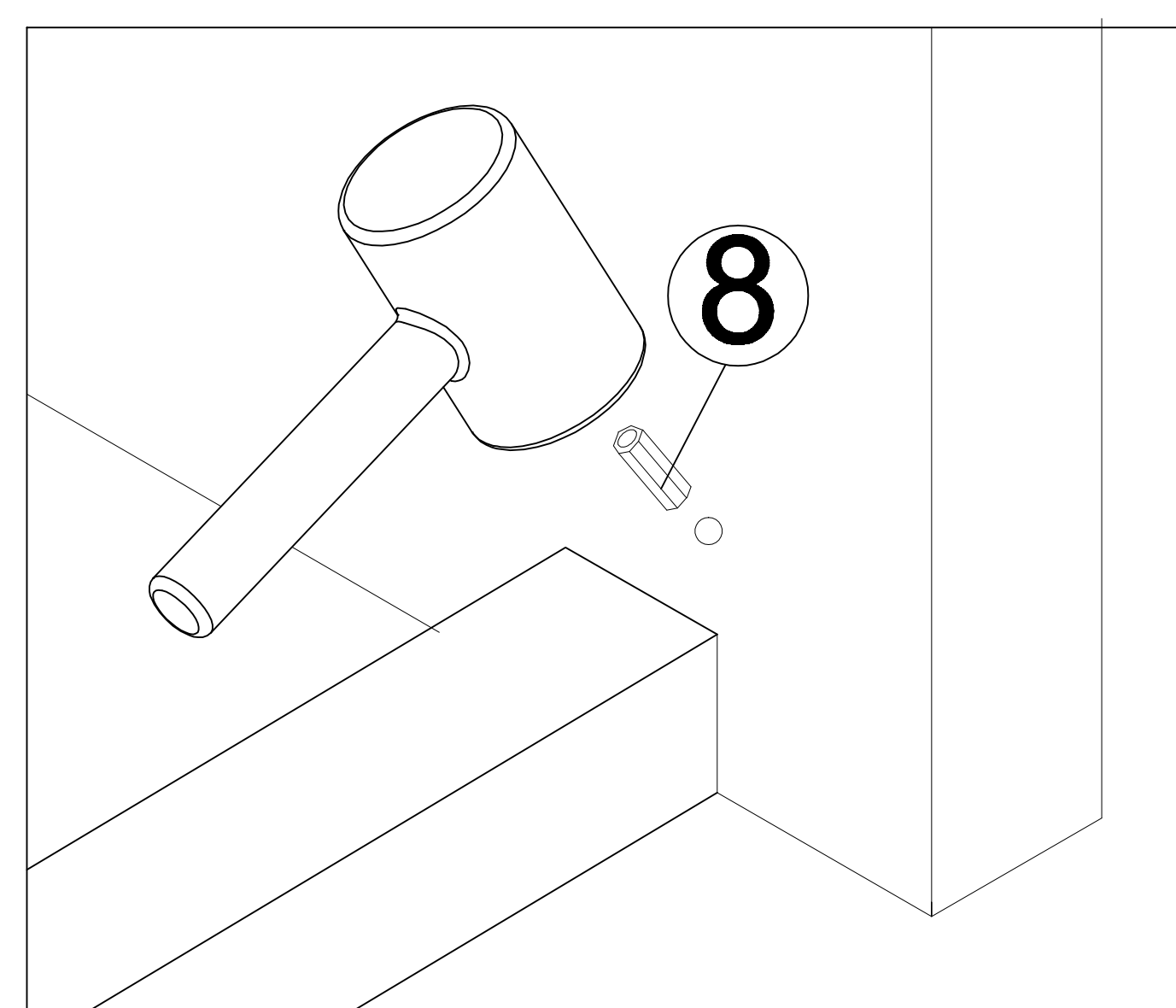
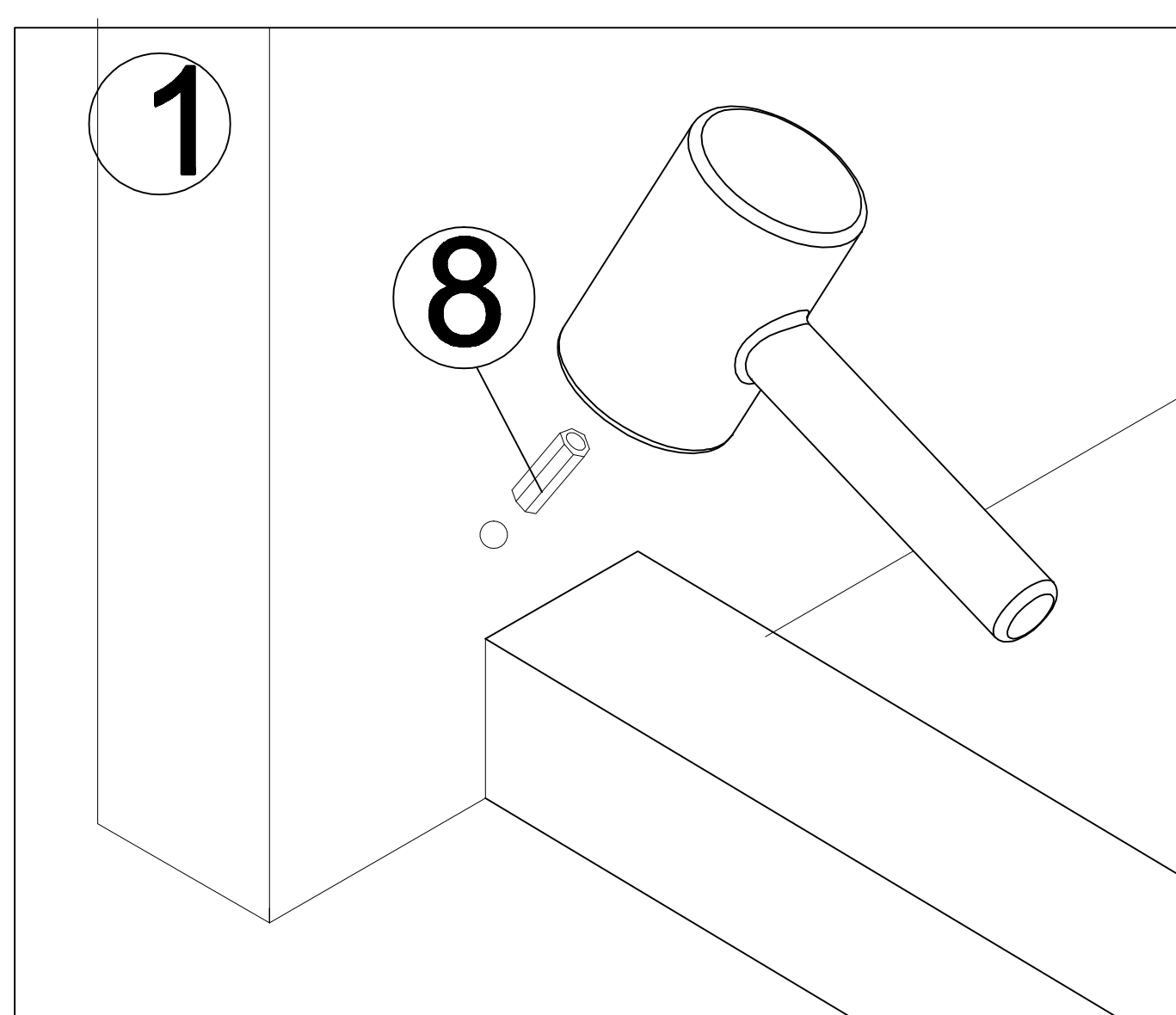
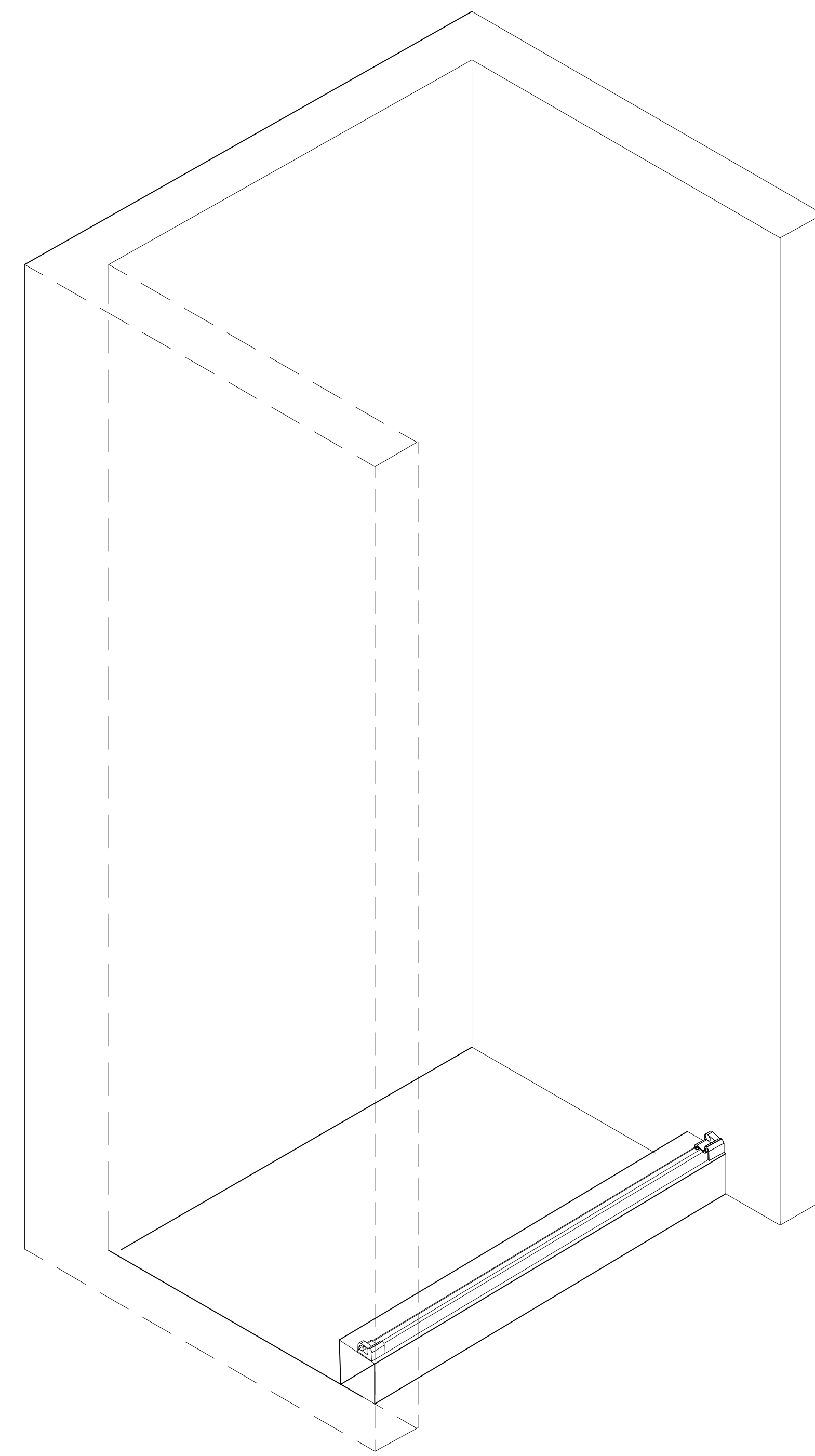
1. Hammer the plug 6\*28(8) into the hole.
2. Secure the left-hand-side connector(9) and right-hand-side connector(13) with screw 4\*20(10), and put the screw cap on.



## Right Hand Assembly

### STEP 2

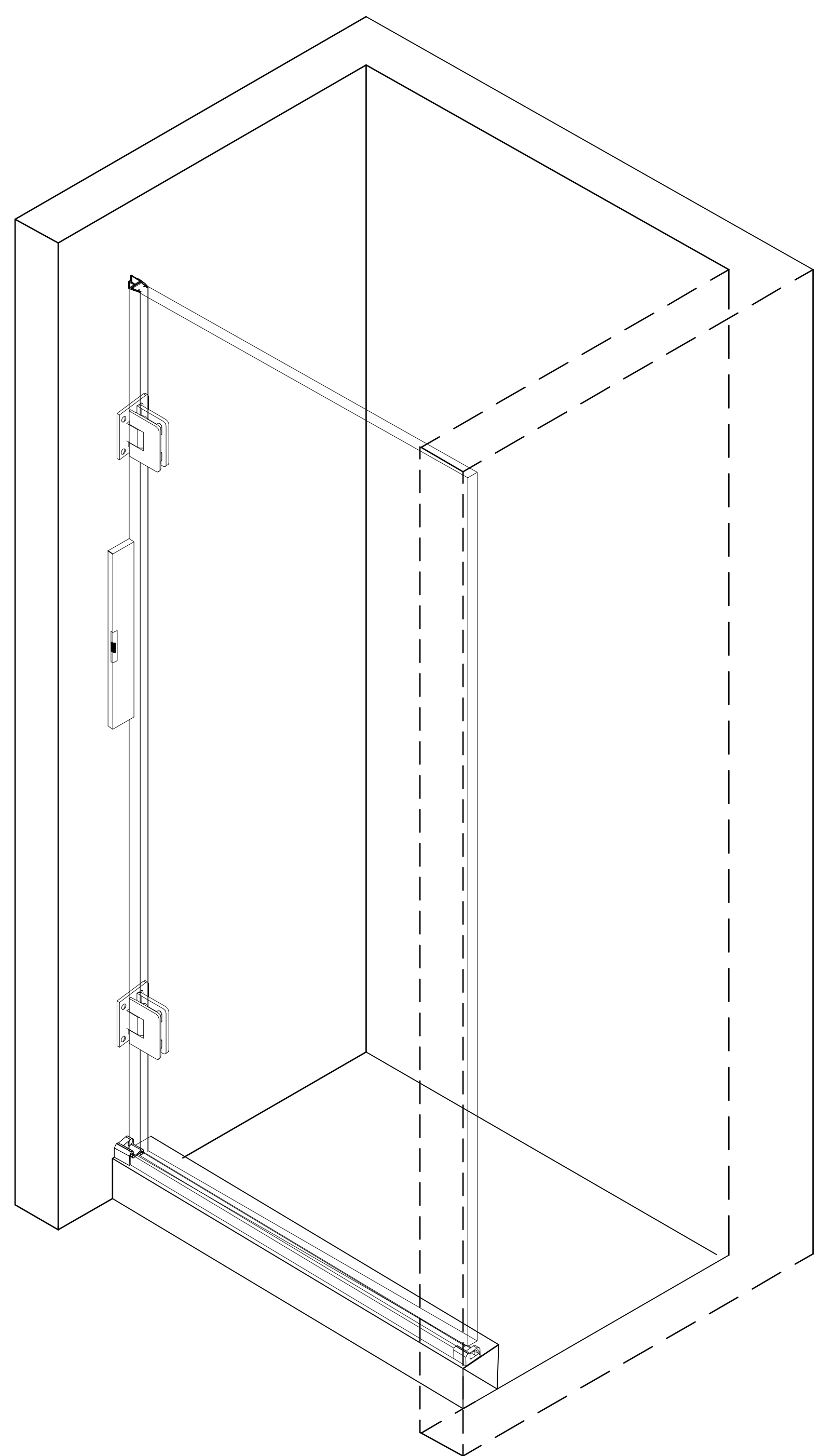
1. Hammer the plug 6\*28(8) into the hole.
2. Secure the left-hand-side connector(9) and right-hand-side connector(13) with screw 4\*20(10), and put the screw cap on.



## Left Hand Assembly

### STEP 3

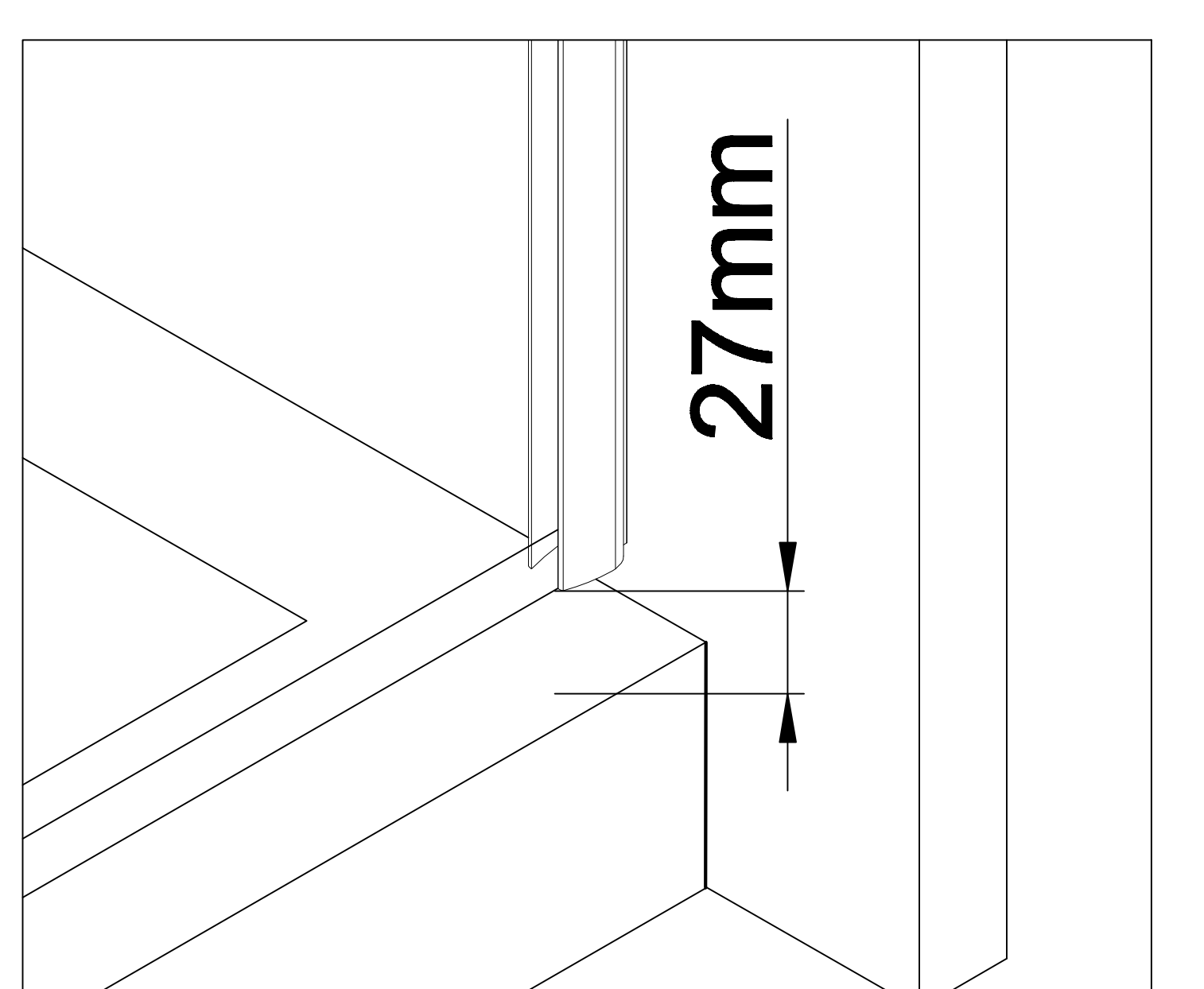
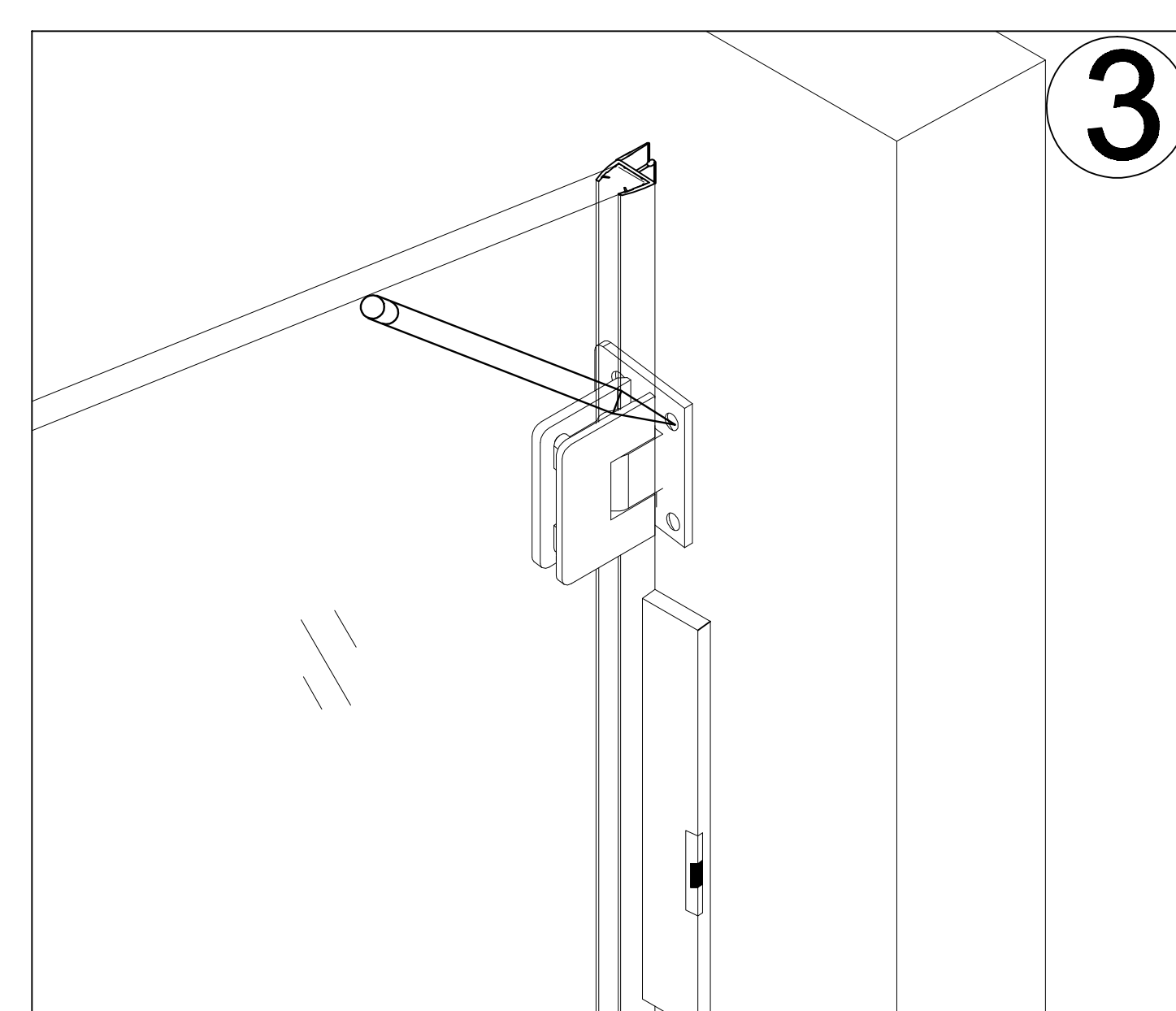
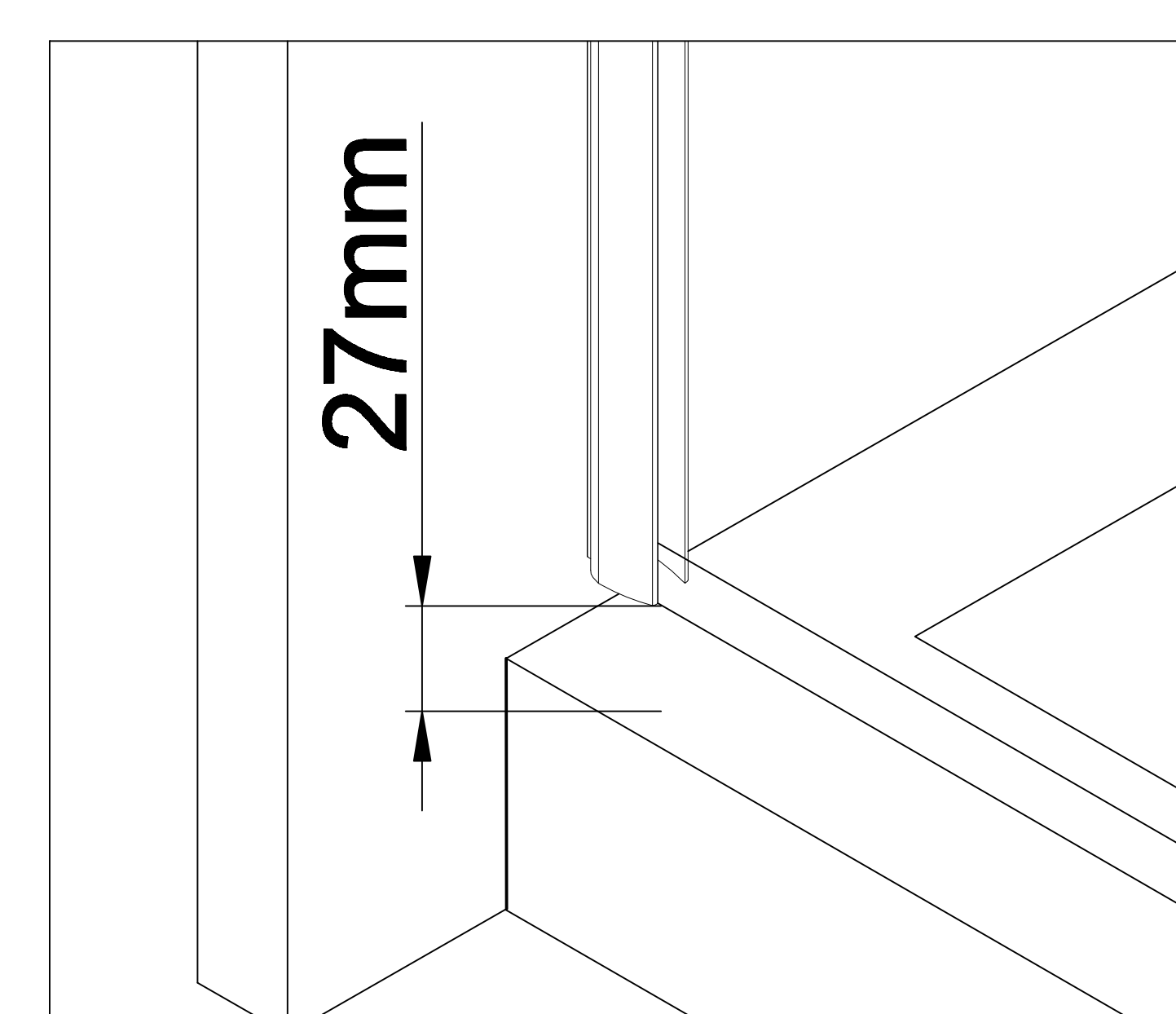
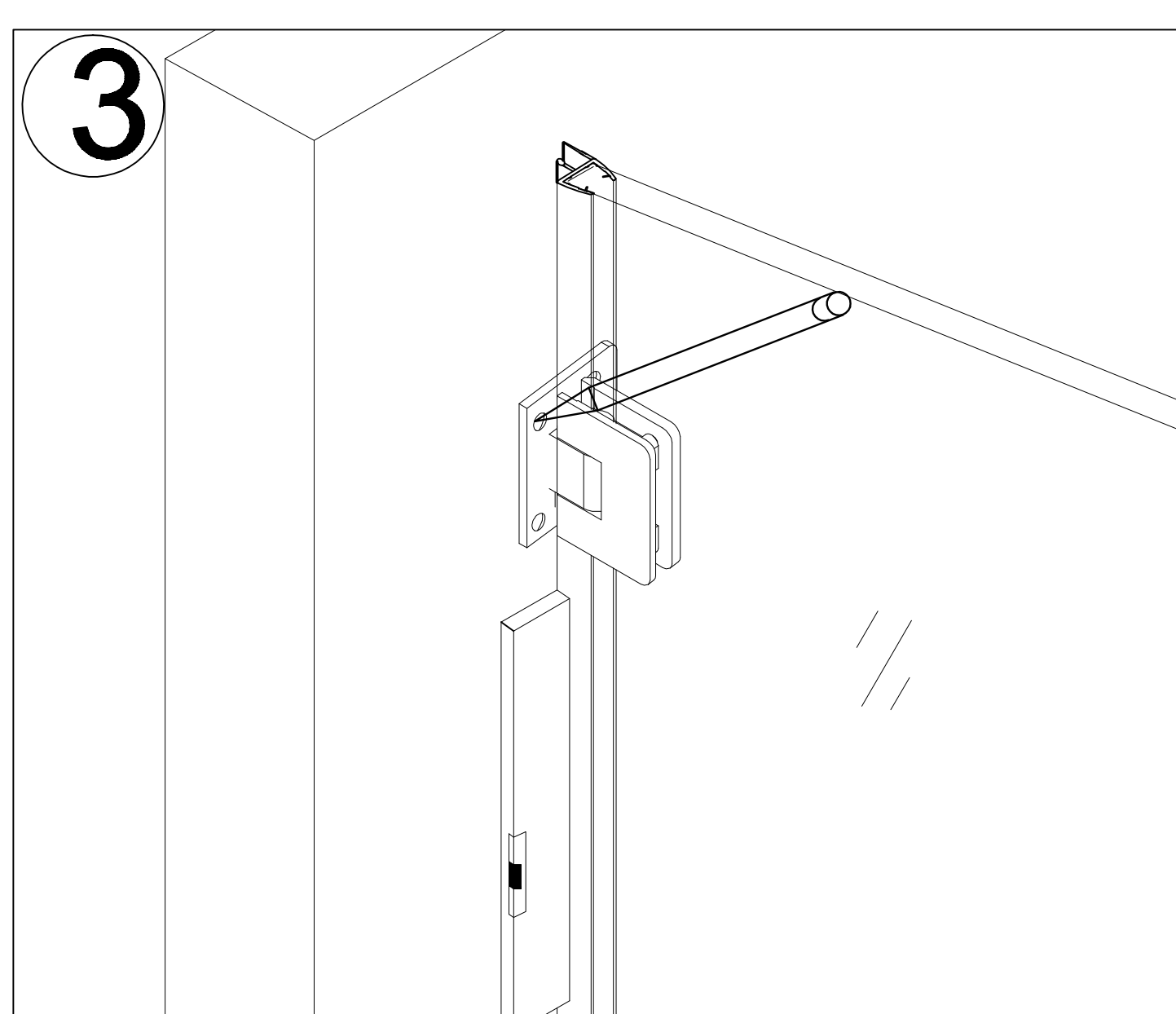
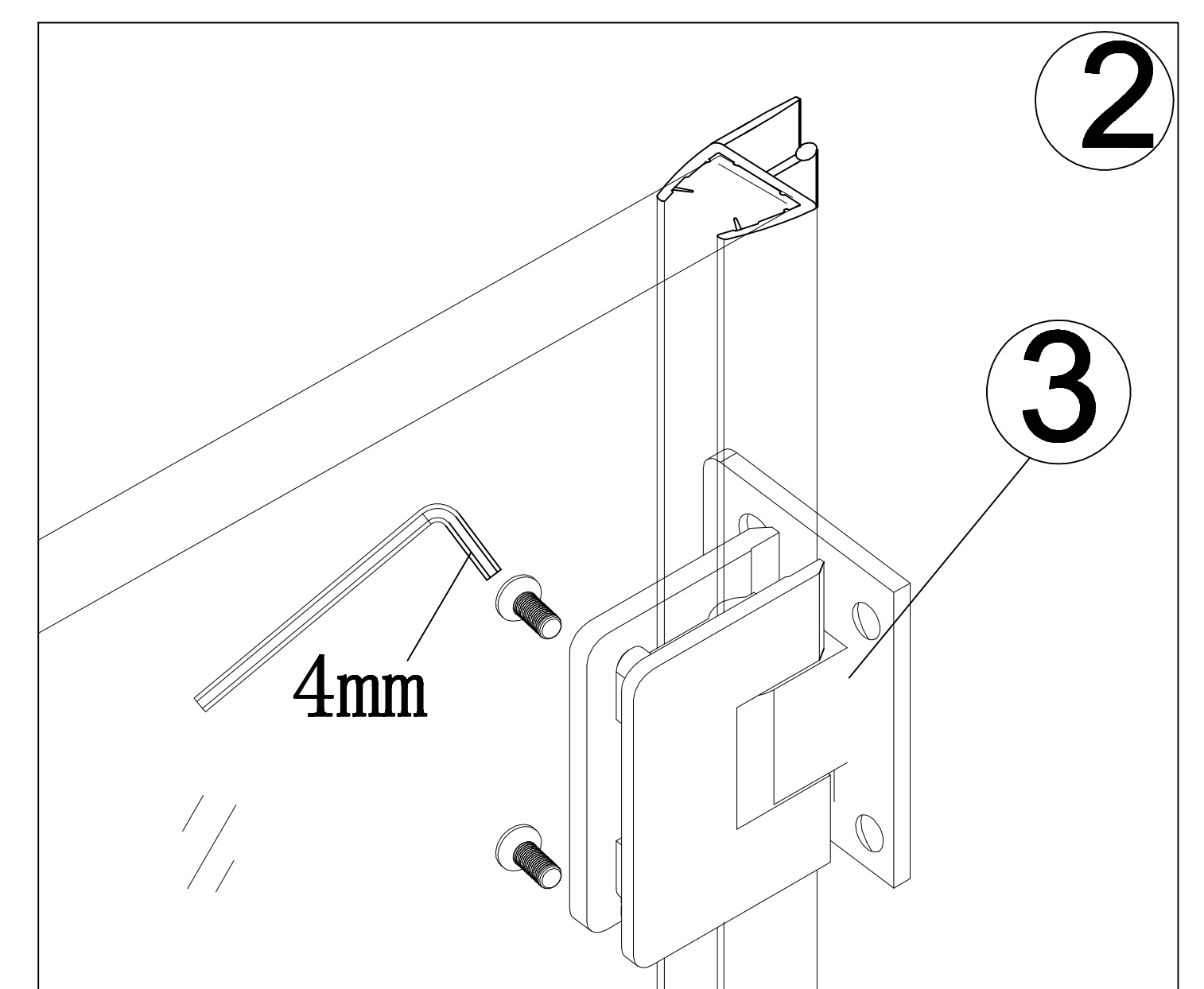
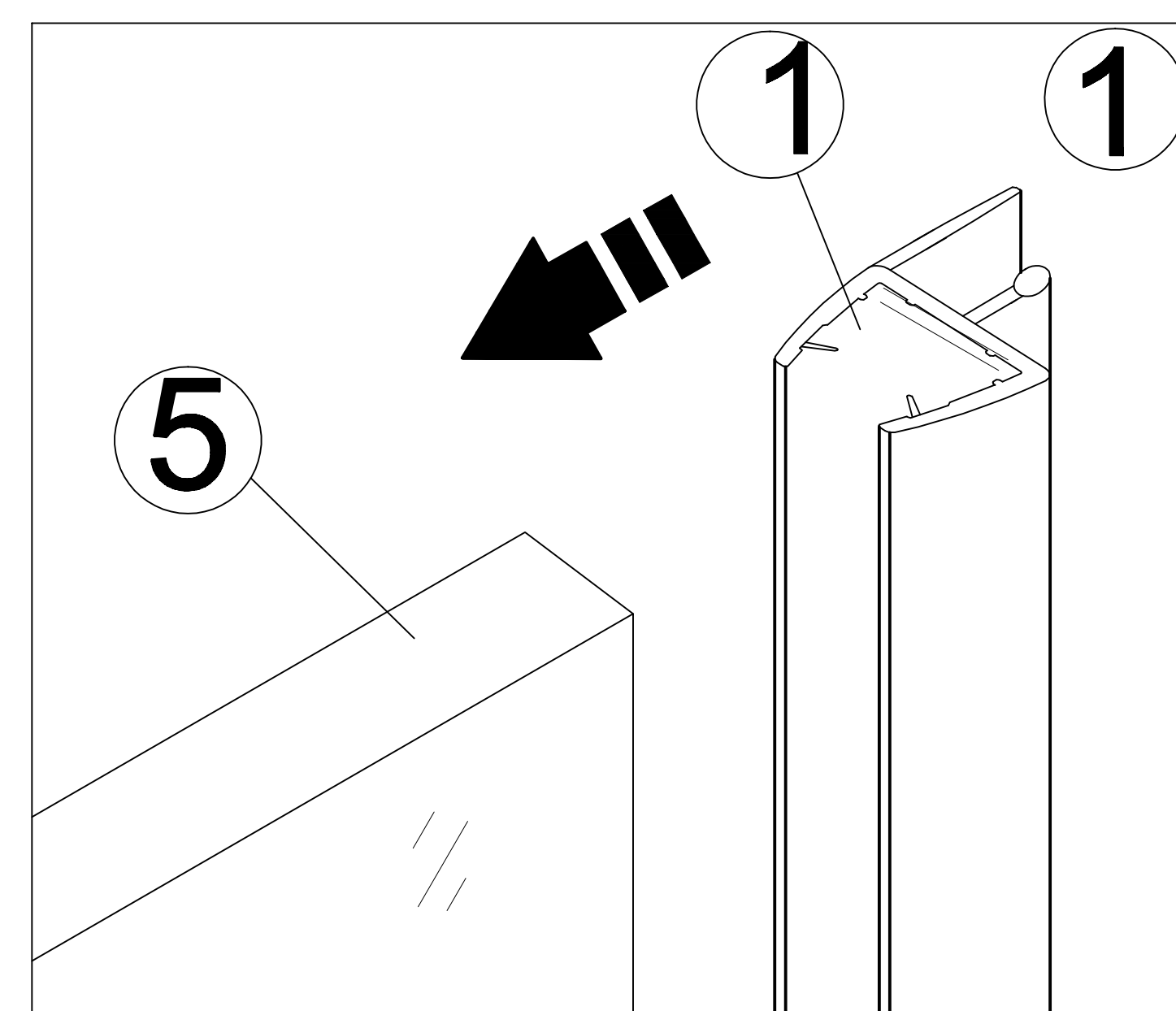
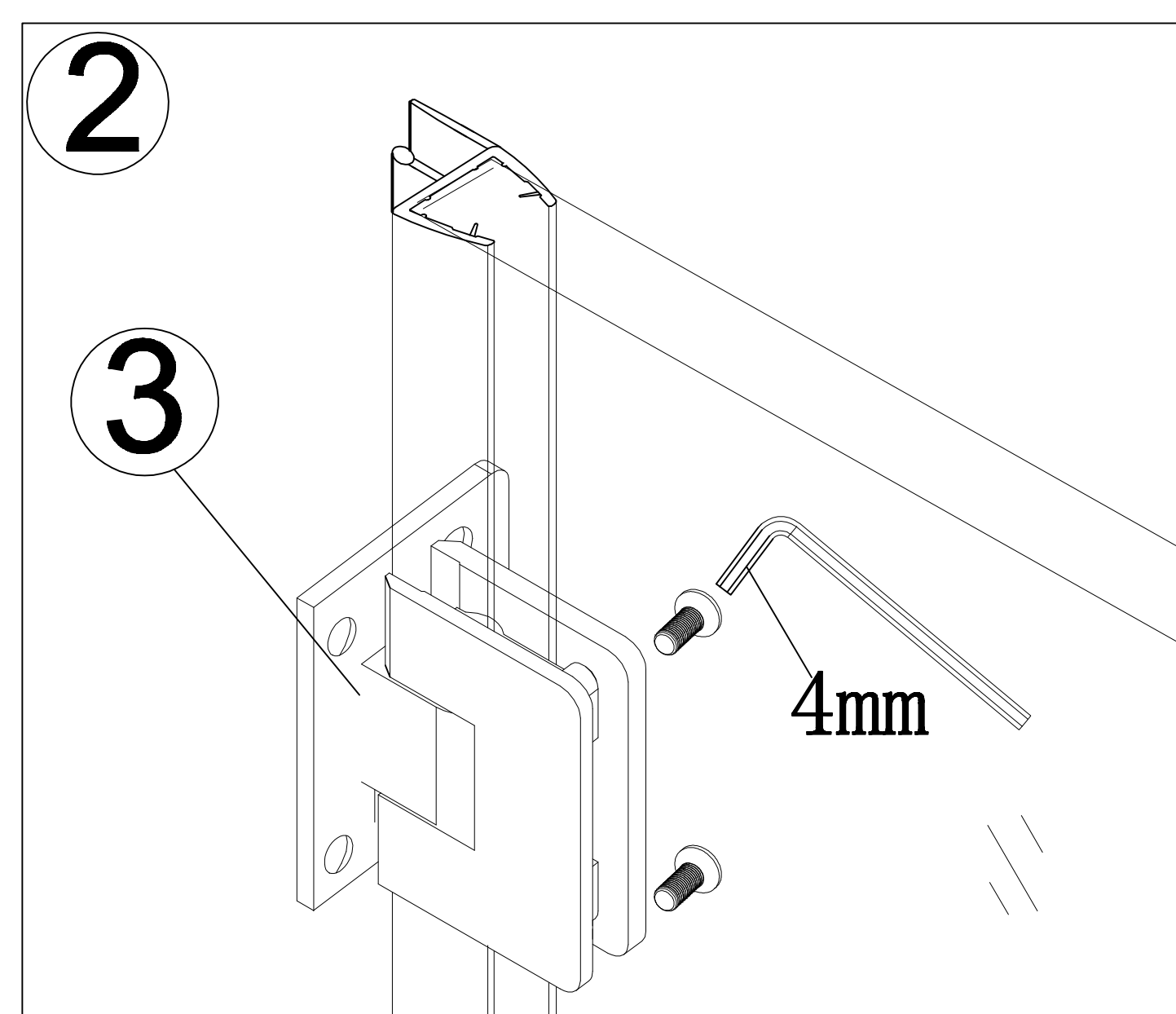
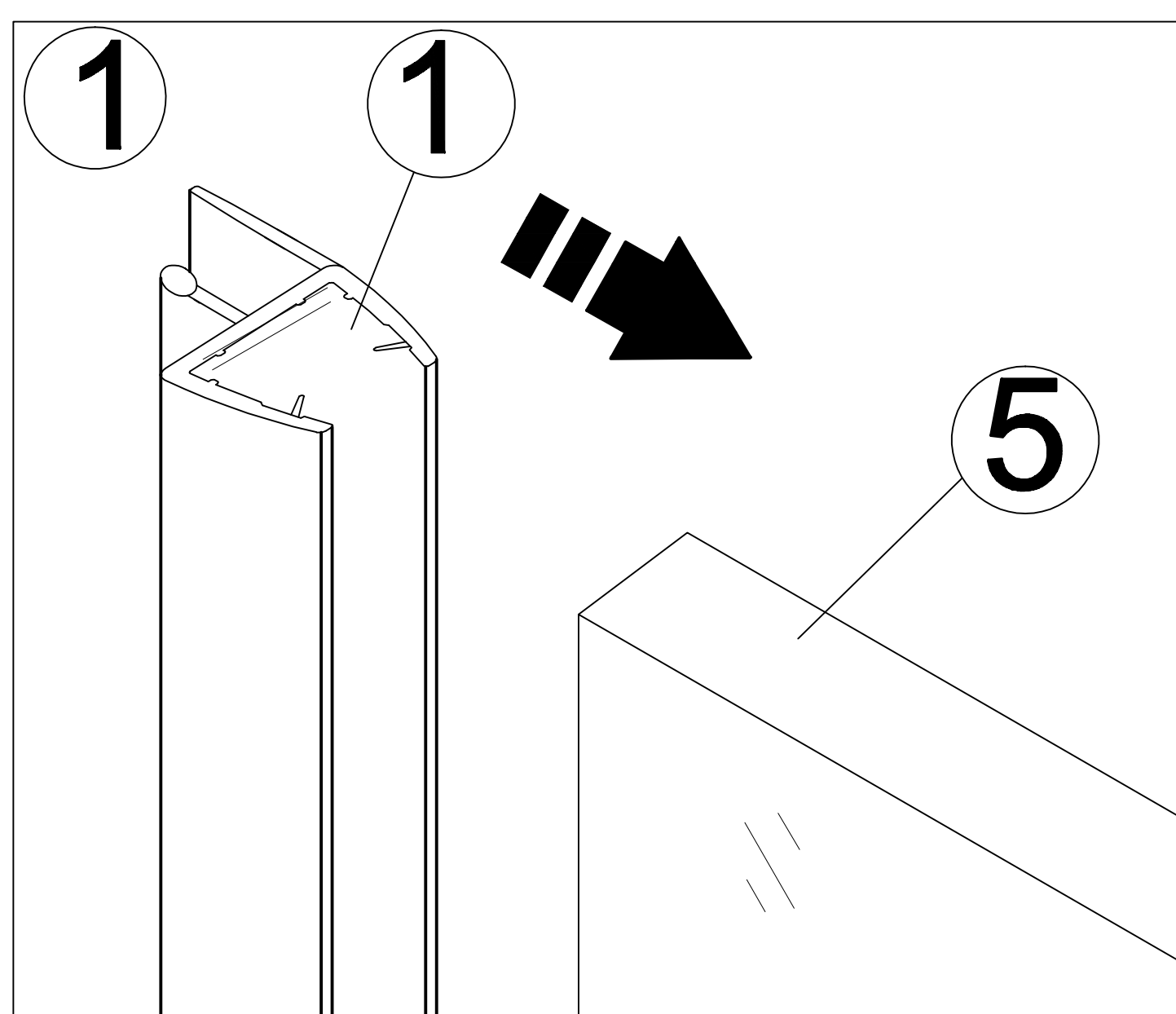
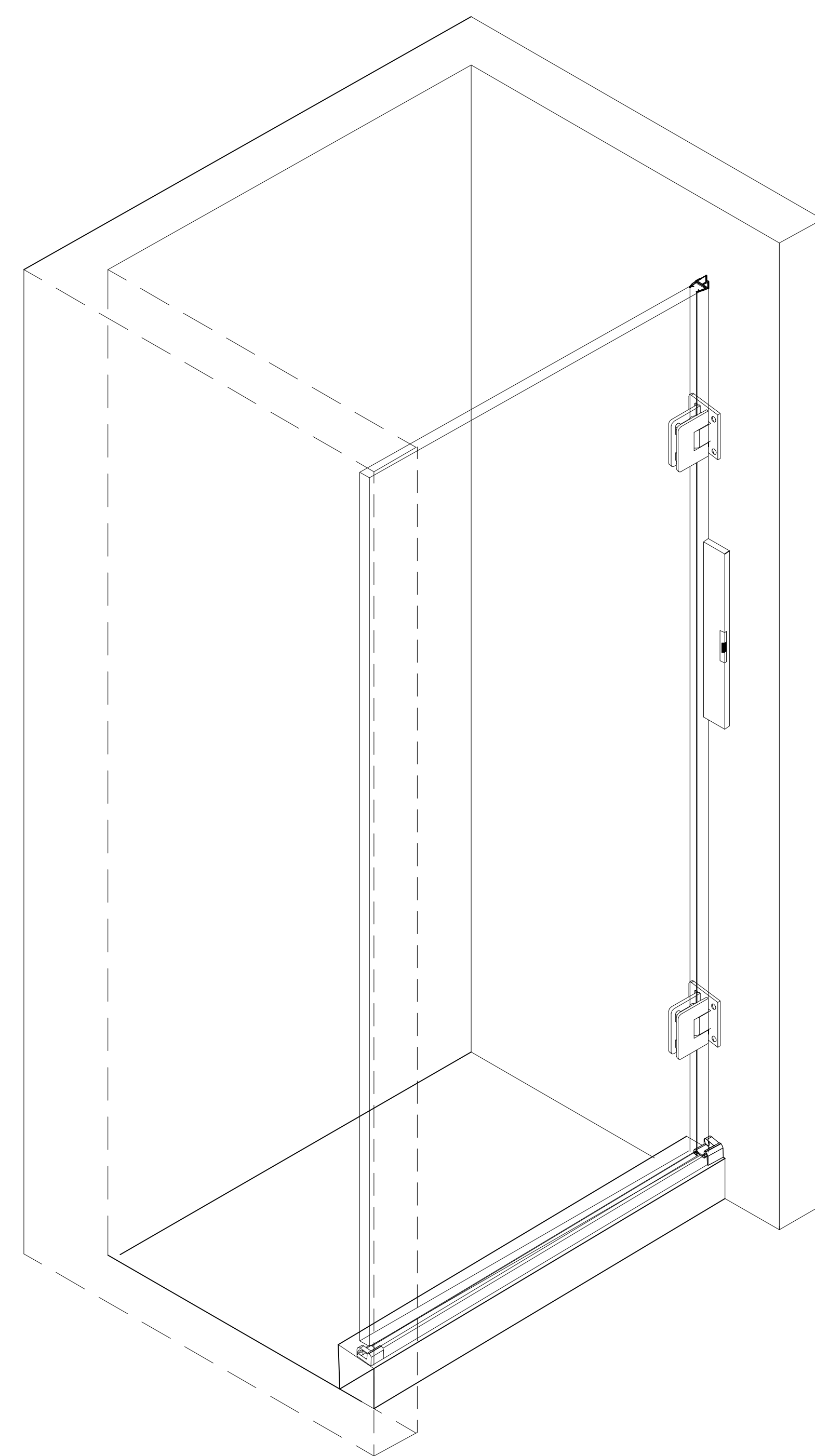
1. Assemble the shower door side seal strip A(1) onto shower door(5).
2. Install wall-mounted shower door hinges(3) onto shower door(5).
3. Hold shower door against the wall with 27mm between the door base and the tile, level the door vertical with a level and mark the hole positions of the wall-mounted shower door hinges(3).



## Right Hand Assembly

### STEP 3

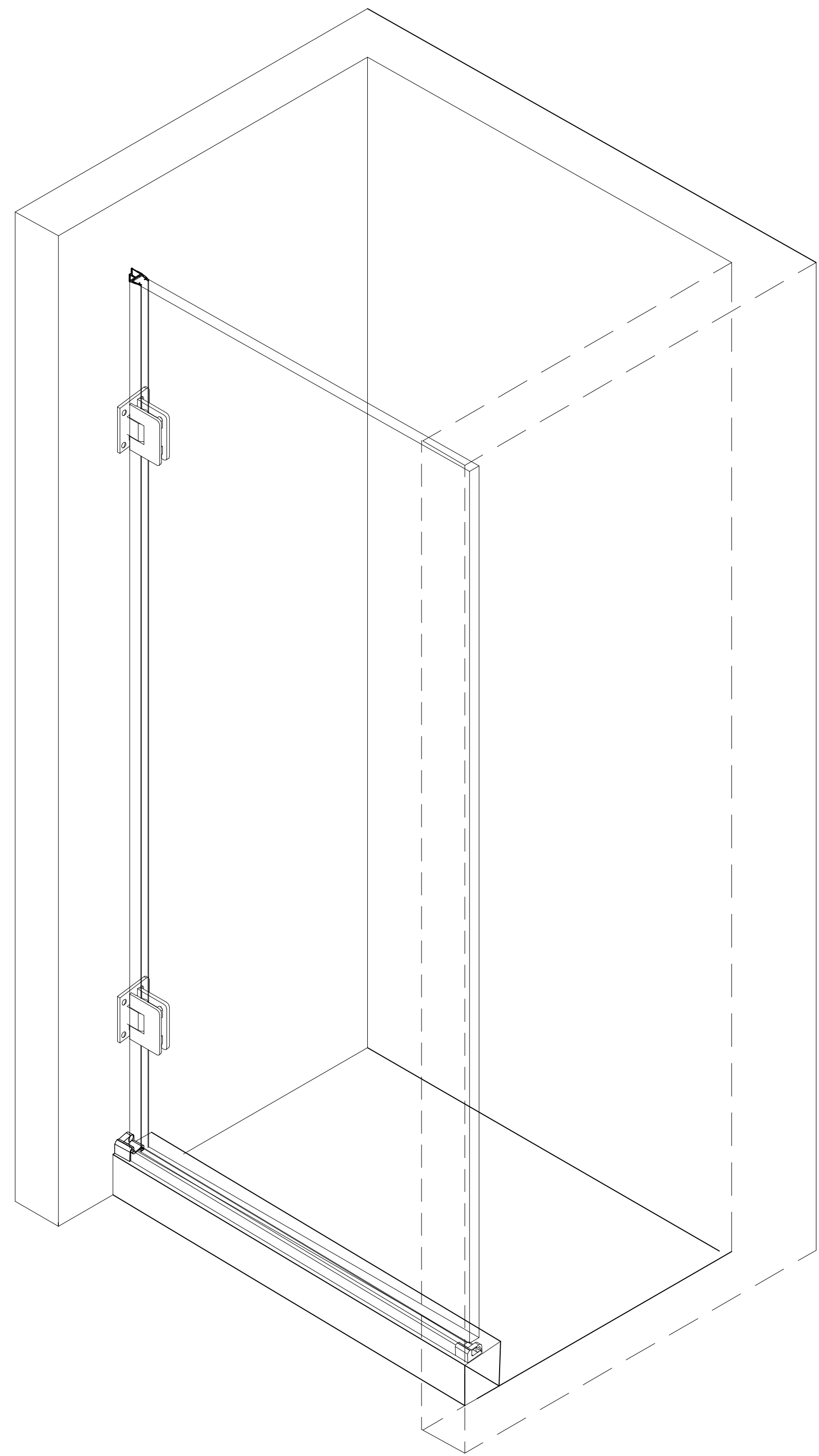
1. Assemble the shower door side seal strip A(1) onto shower door(5).
2. Install wall-mounted shower door hinges(3) onto shower door(5).
3. Hold shower door against the wall with 27mm between the door base and the tile, level the door vertical with a level and mark the hole positions of the wall-mounted shower door hinges(3).



## Left Hand Assembly

### STEP 4

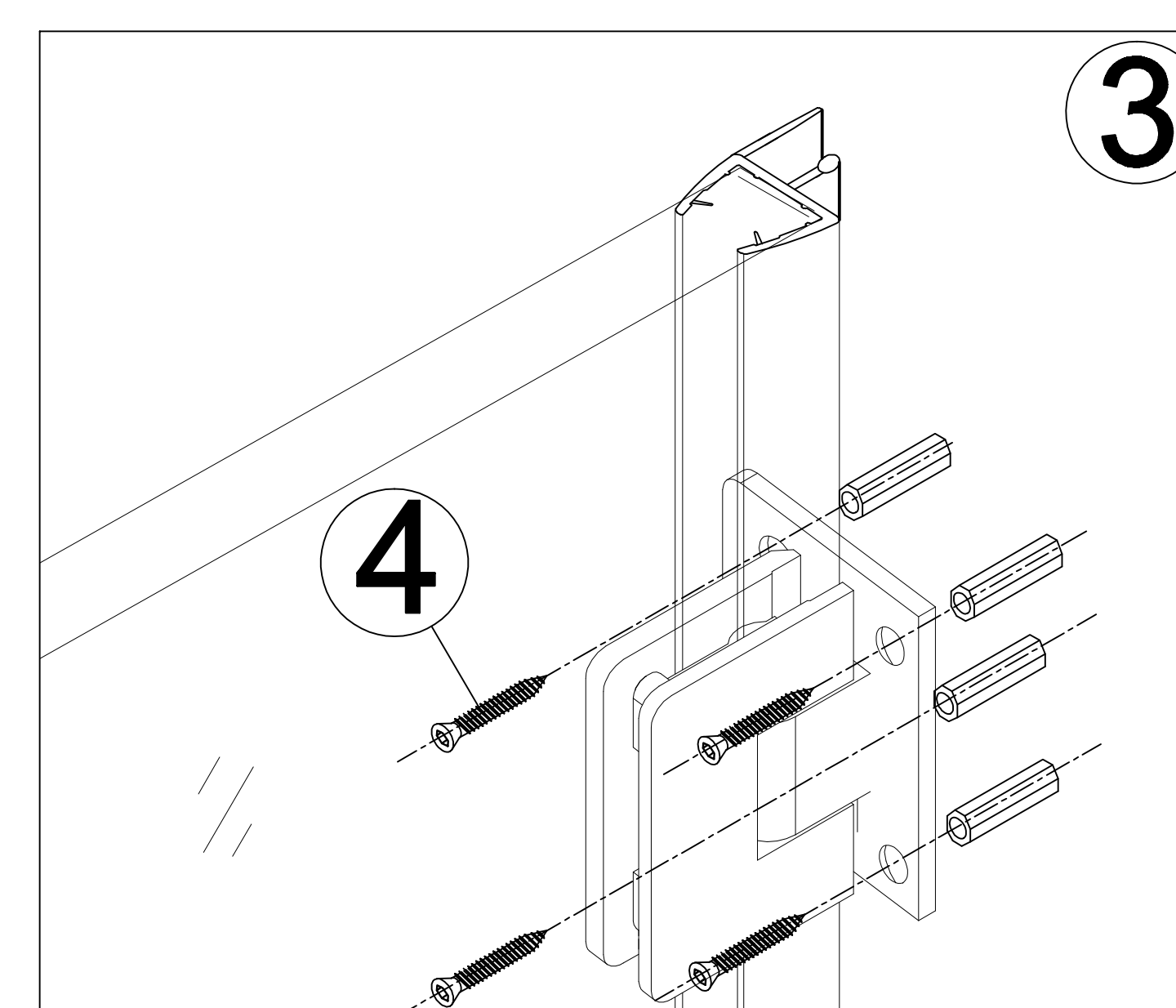
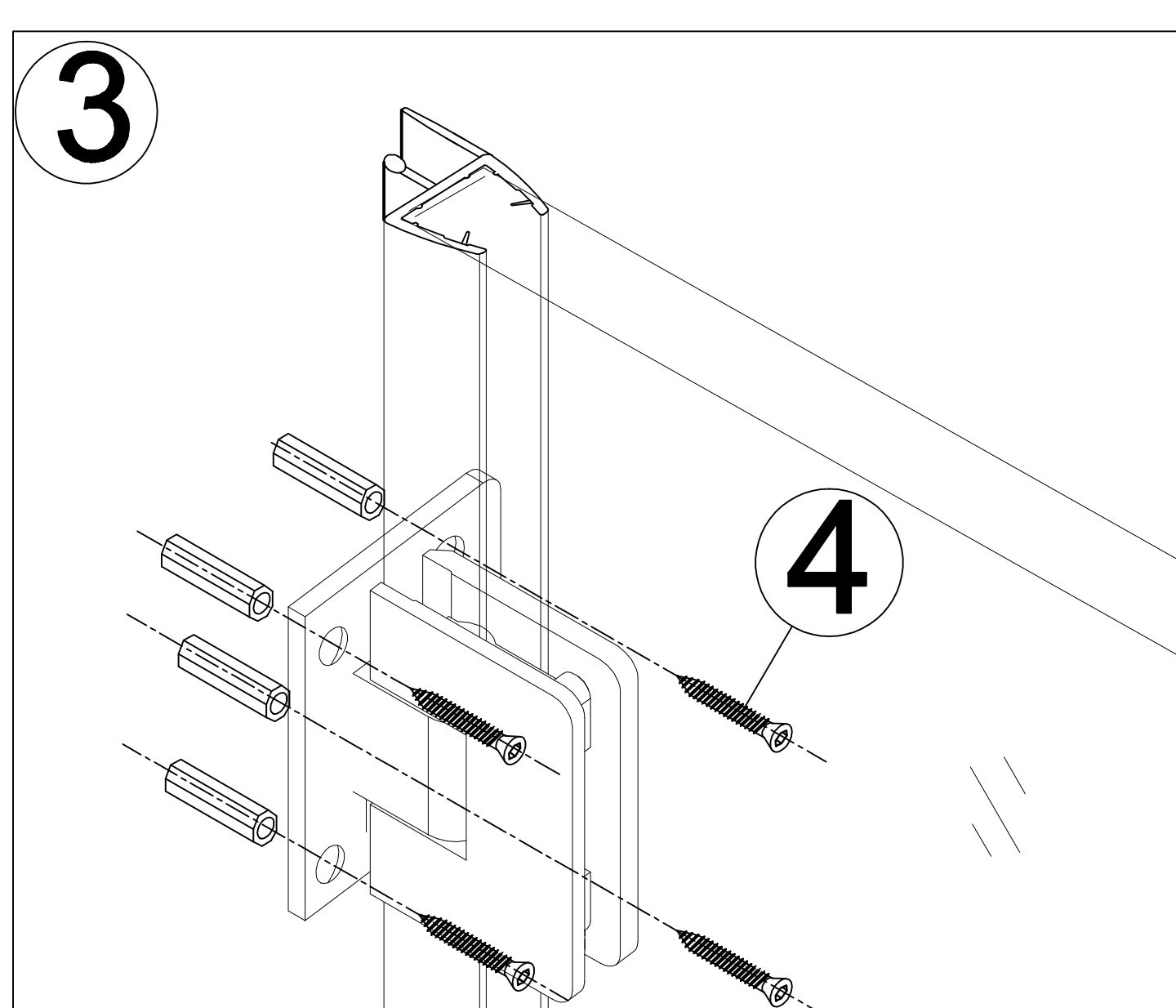
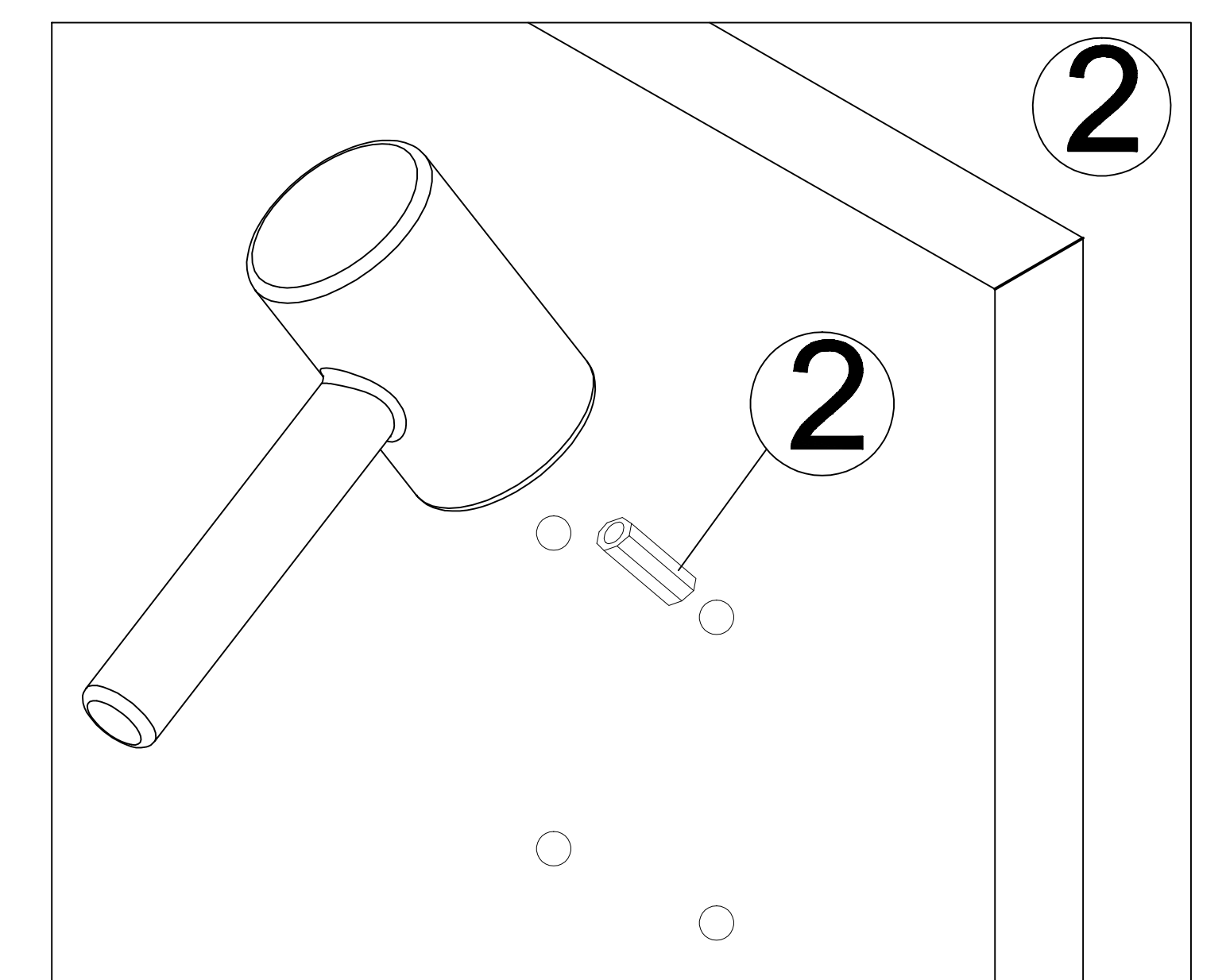
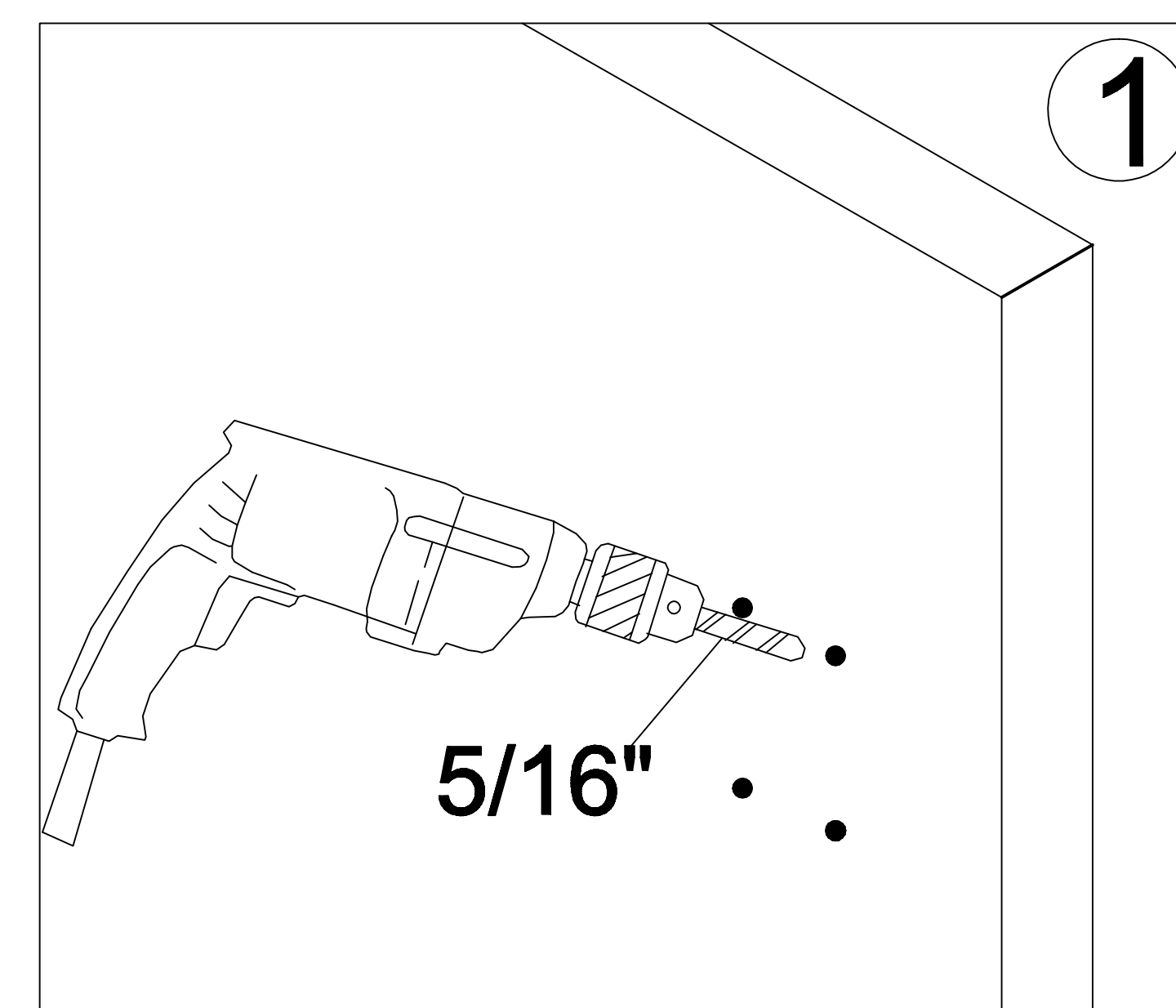
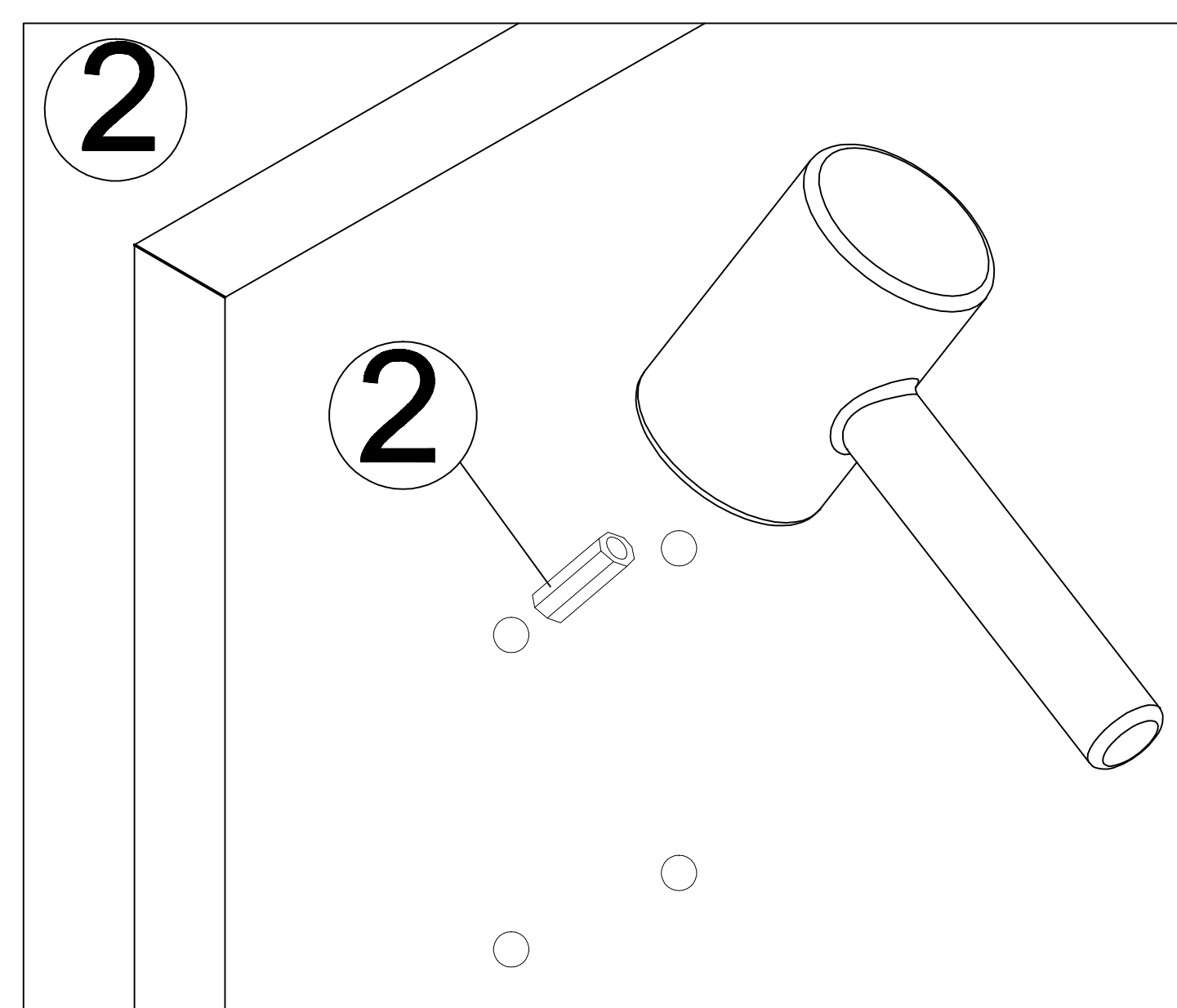
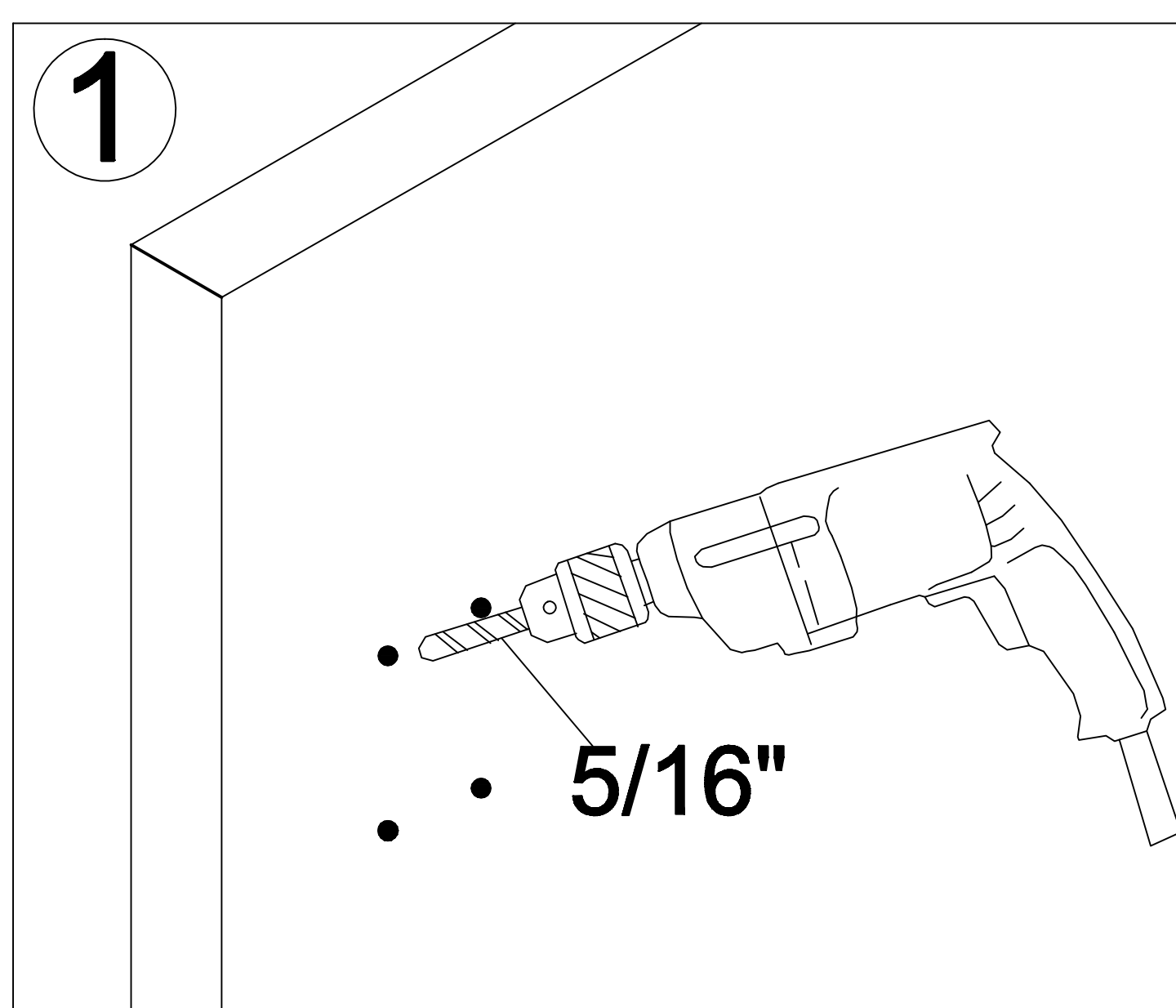
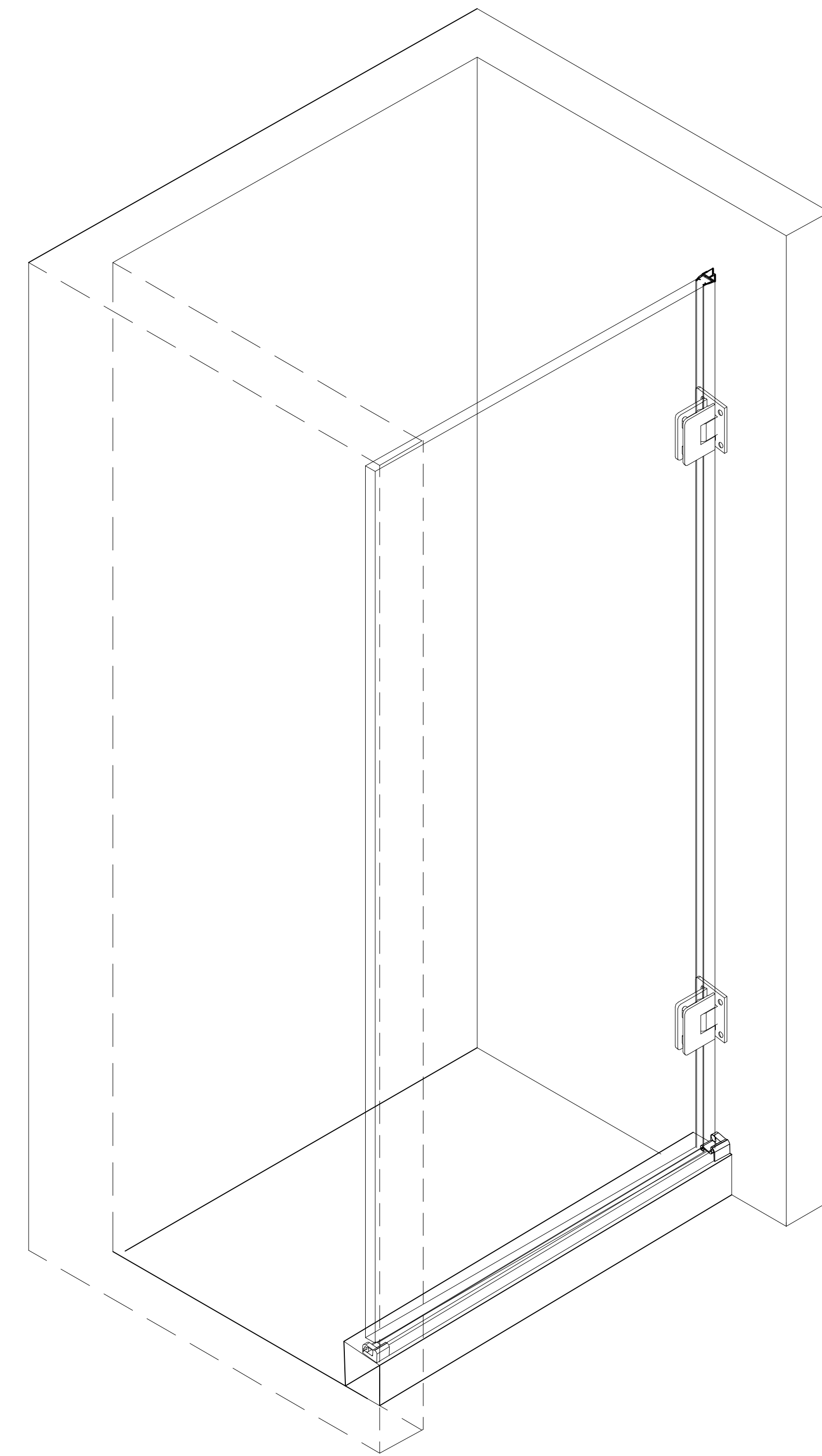
1. Take off shower door(5) and drill holes on the markings.
2. Hammer the plug 8\*36(2) into the hole.
3. Secure the wall-mounted shower door hinges(3) onto the wall with screws 5\*40(4).



## Right Hand Assembly

### STEP 4

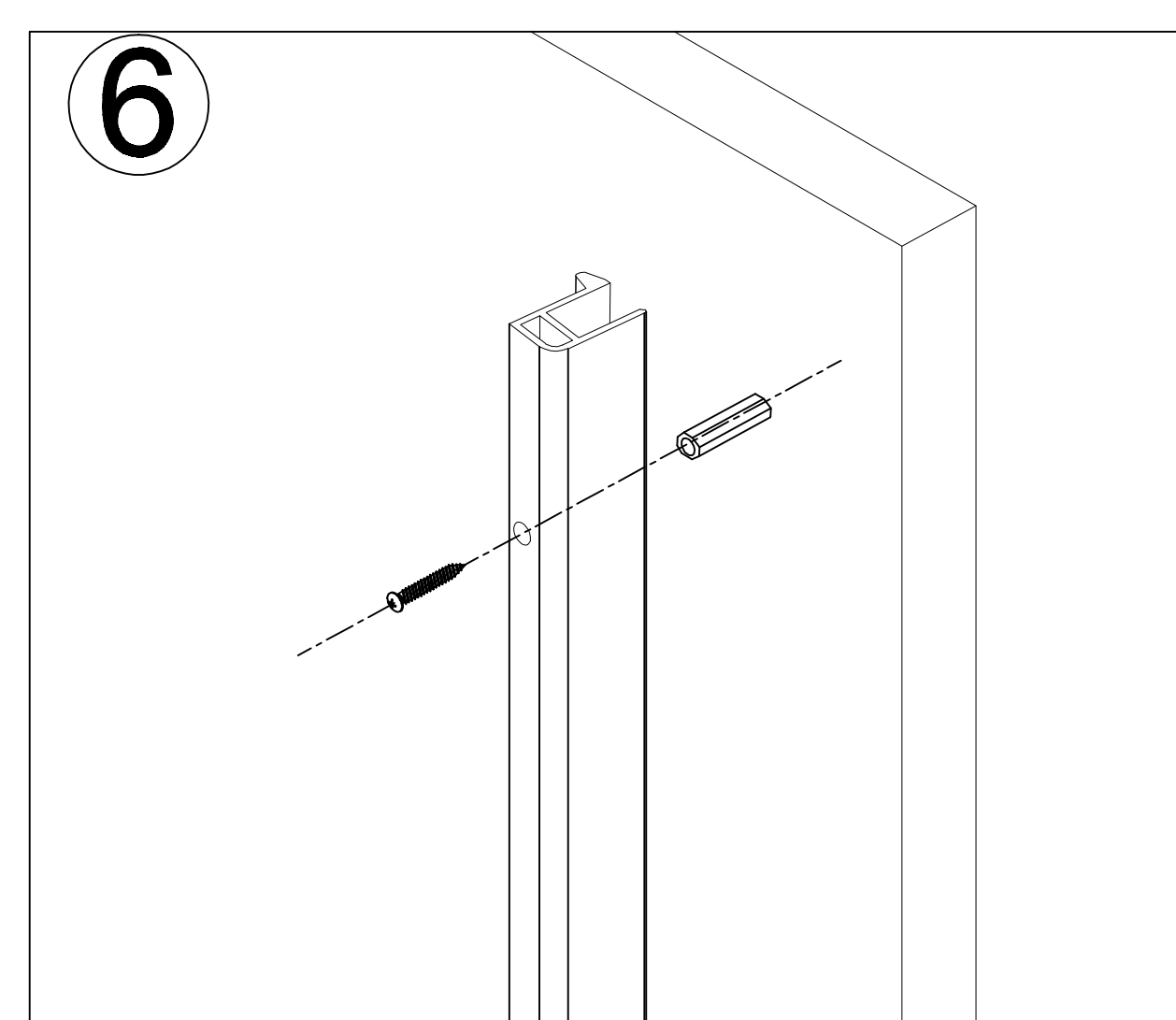
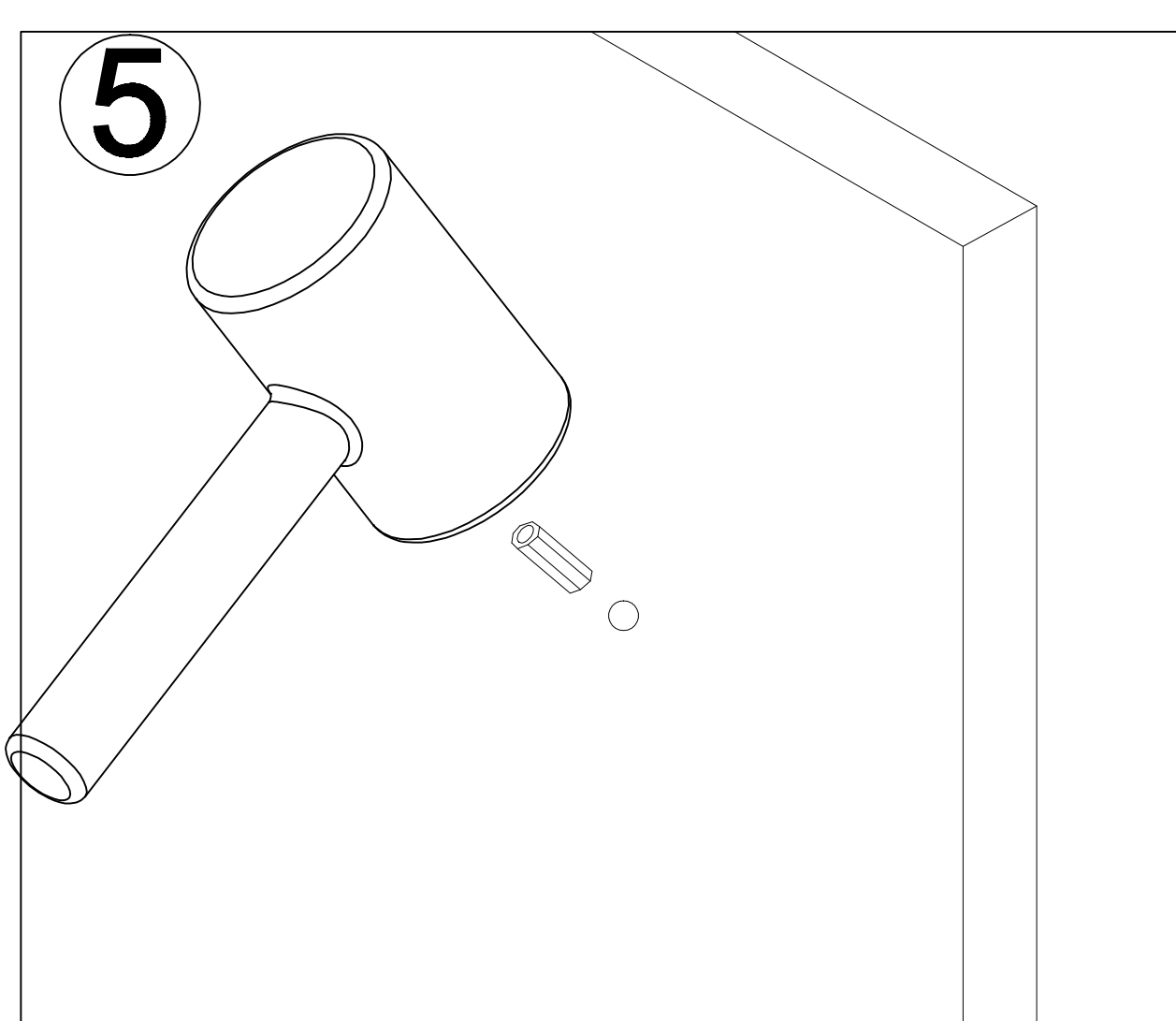
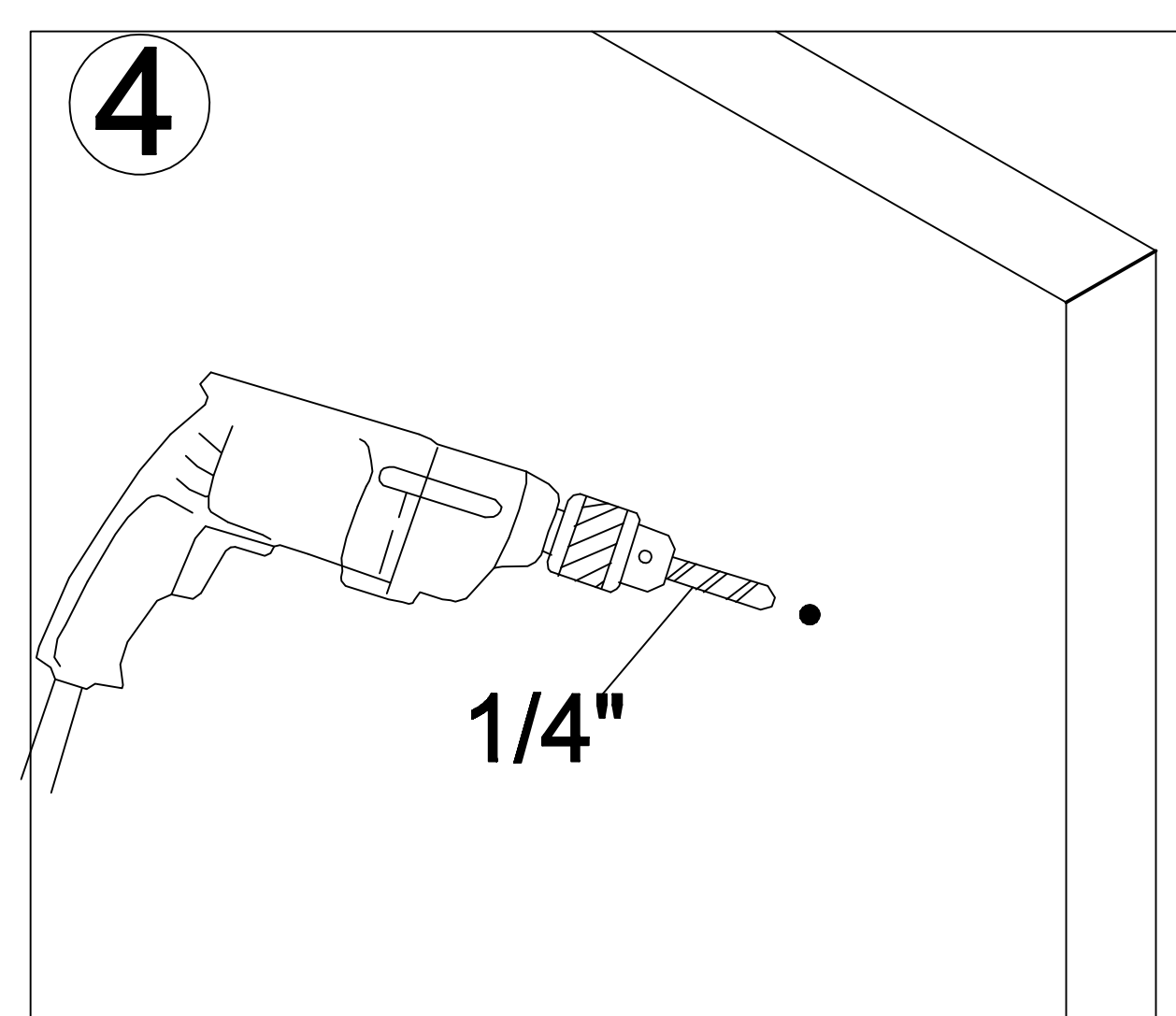
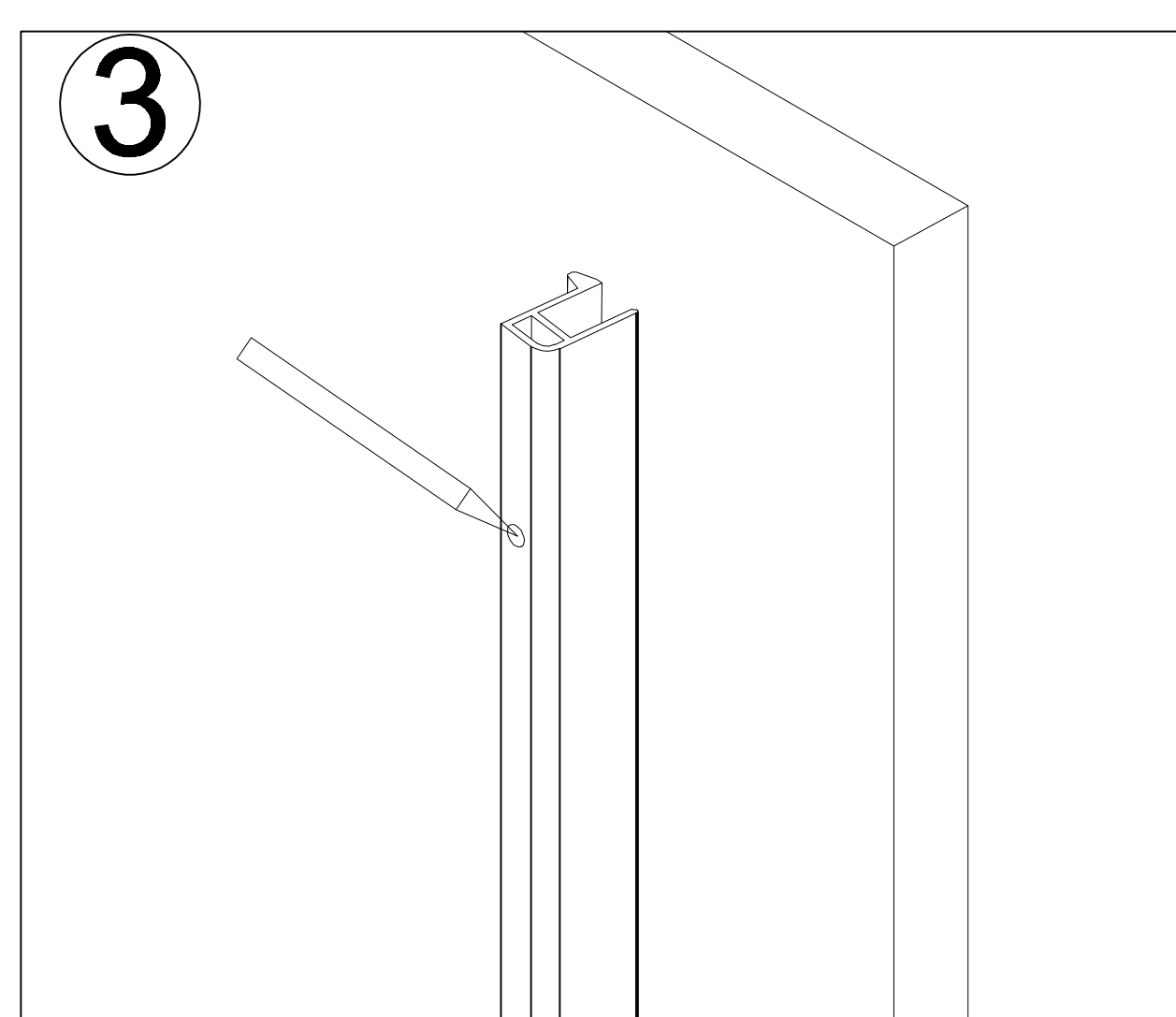
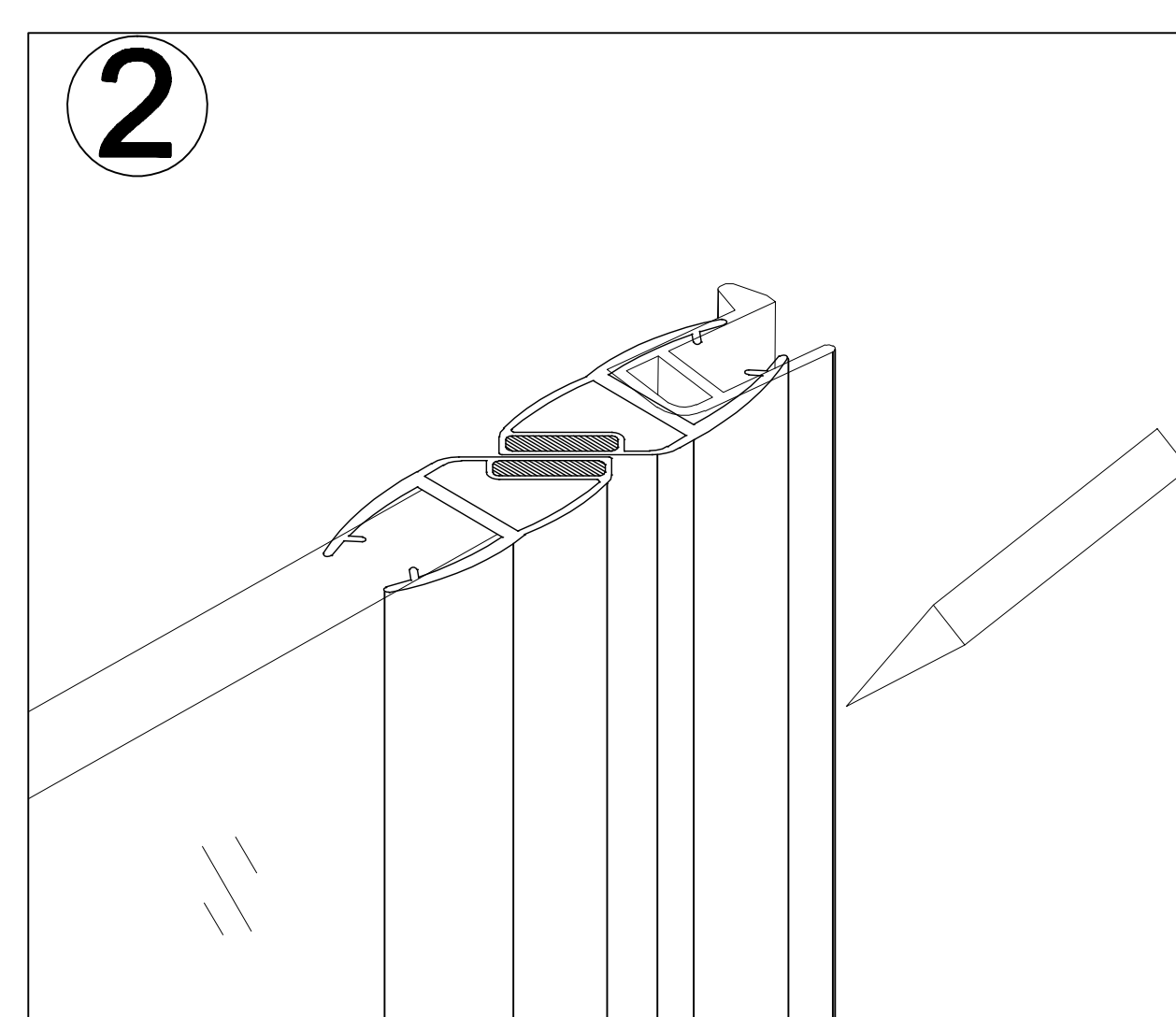
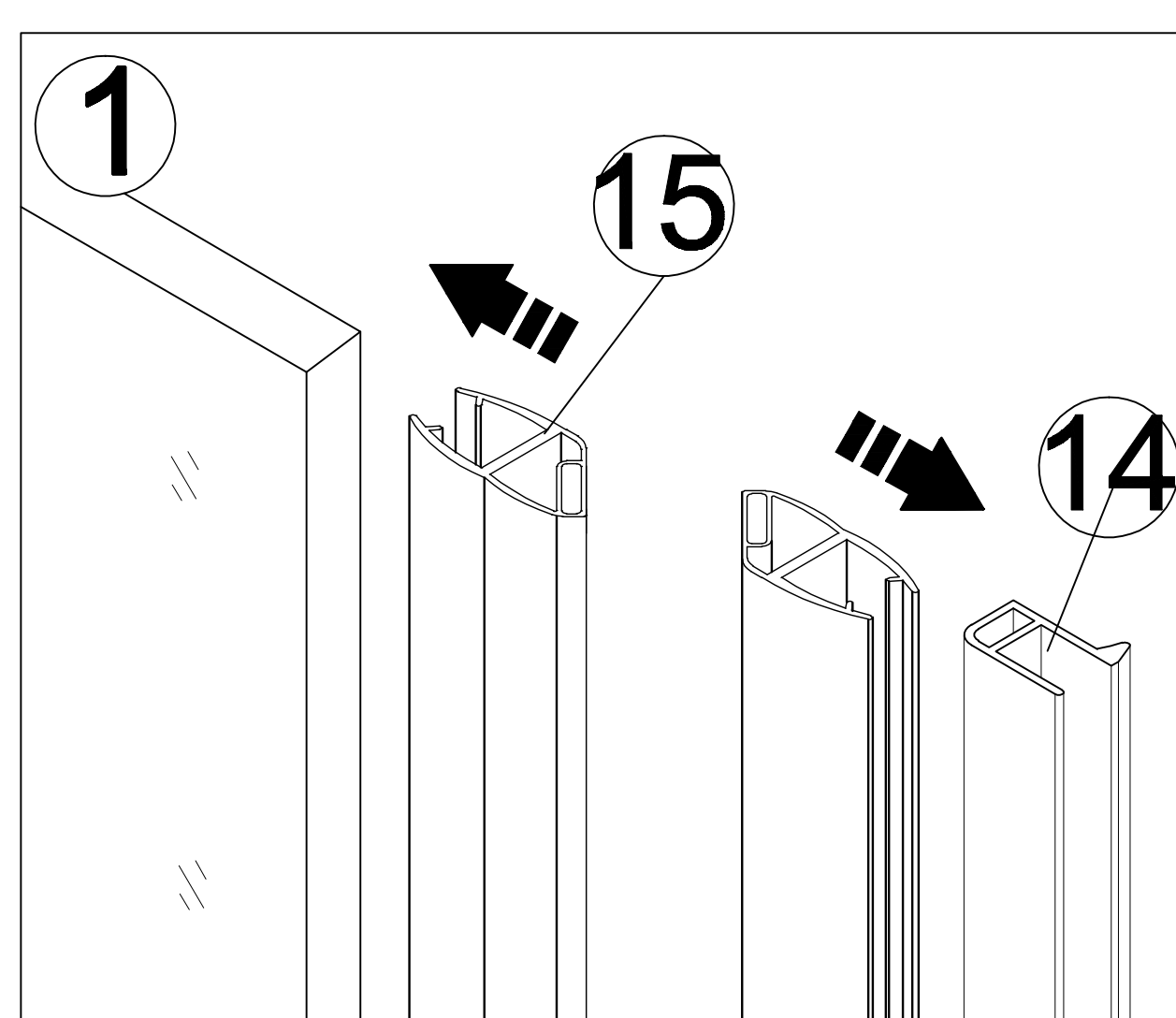
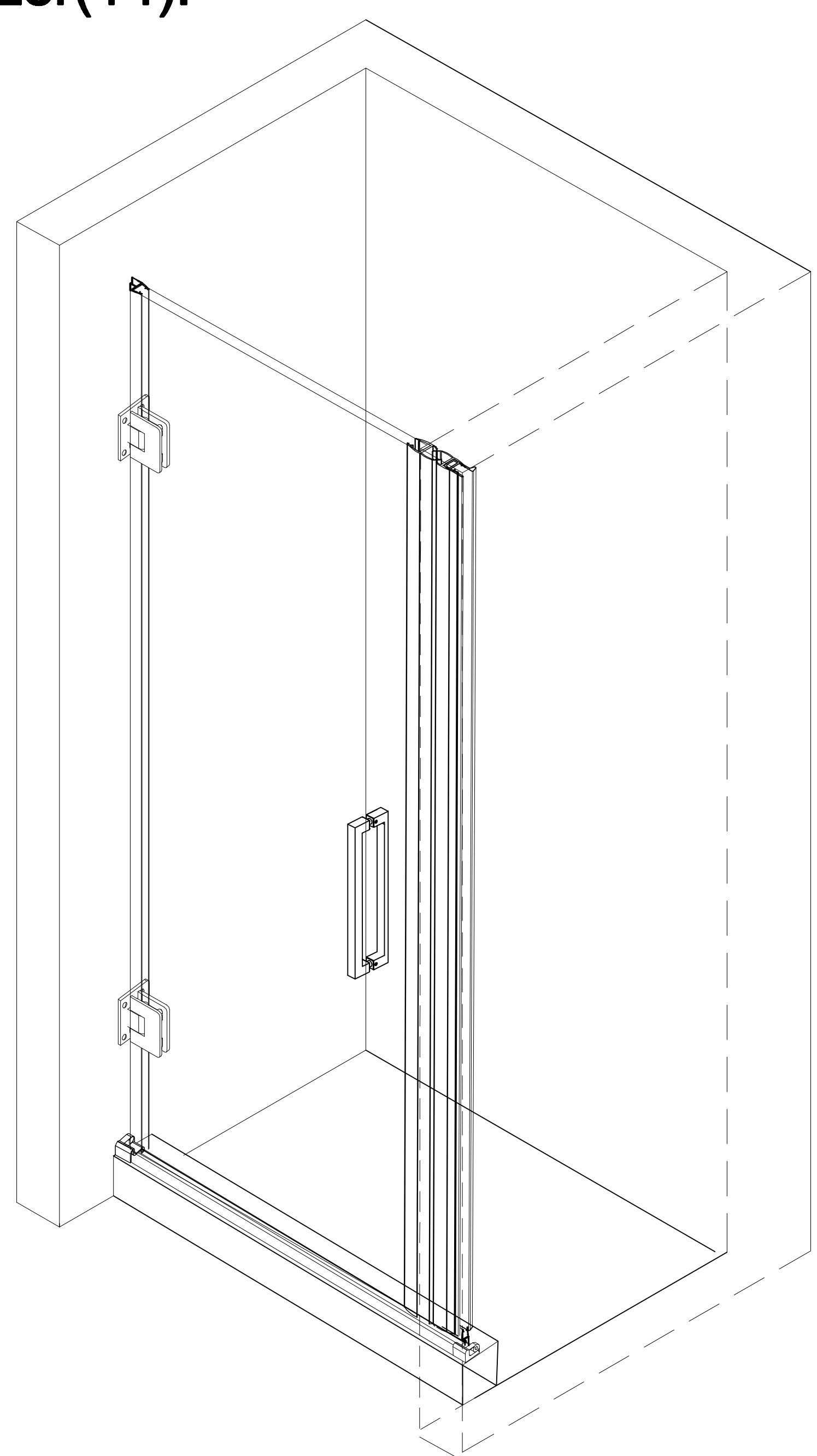
1. Take off shower door(5) and drill holes on the markings.
2. Hammer the plug 8\*36(2) into the hole.
3. Secure the wall-mounted shower door hinges(3) onto the wall with screws 5\*40(4).



## Left Hand Assembly

### STEP 5

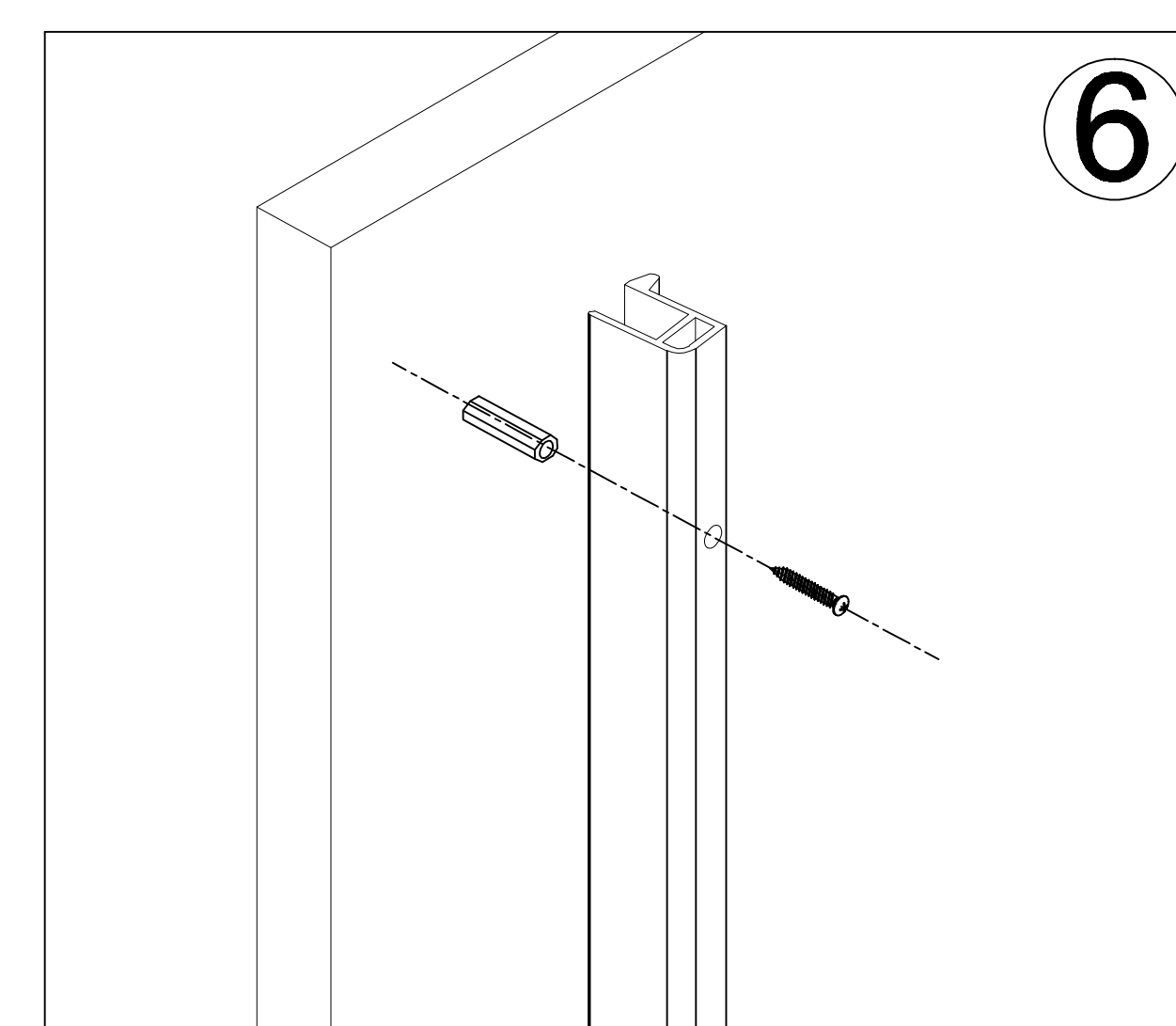
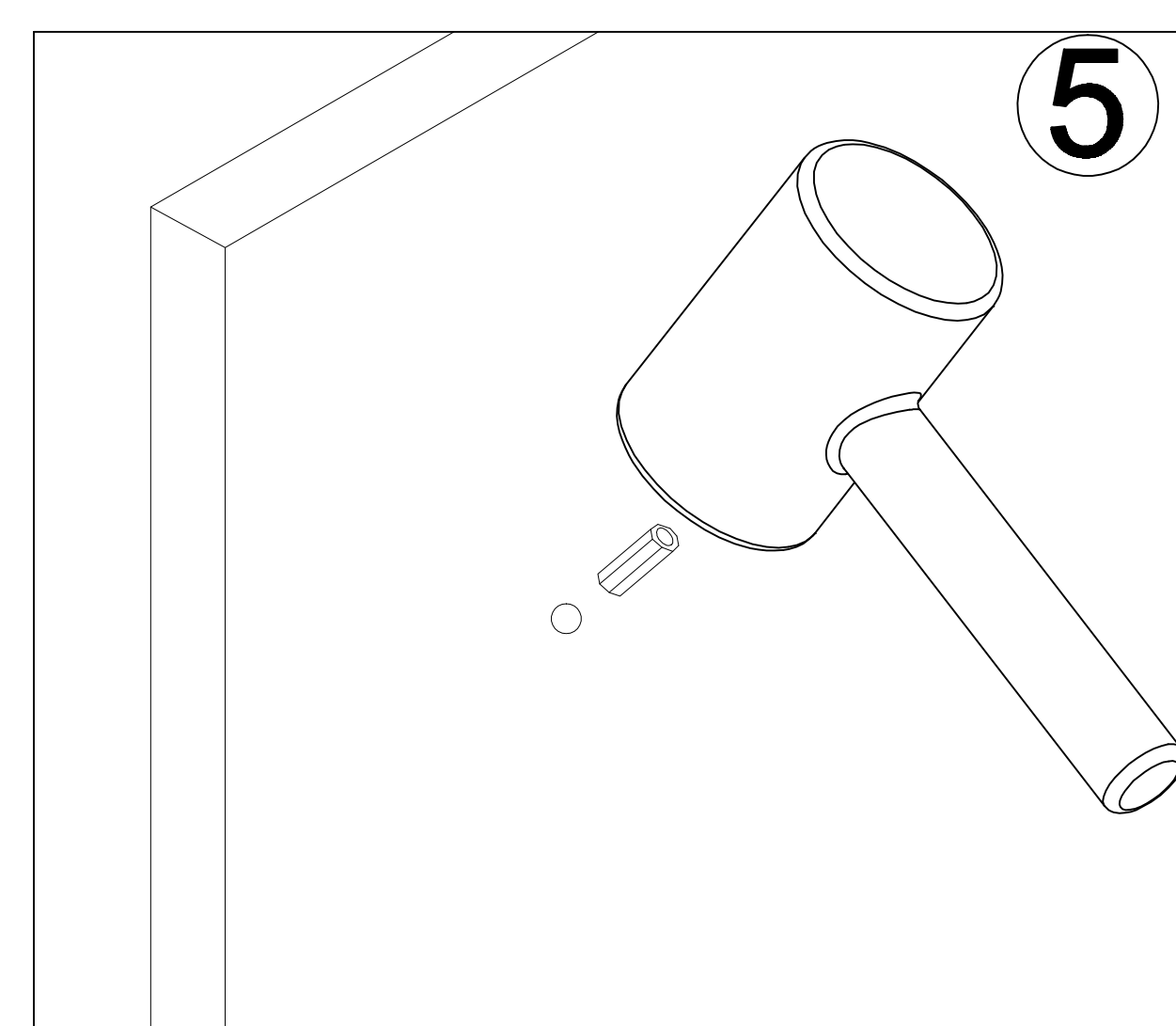
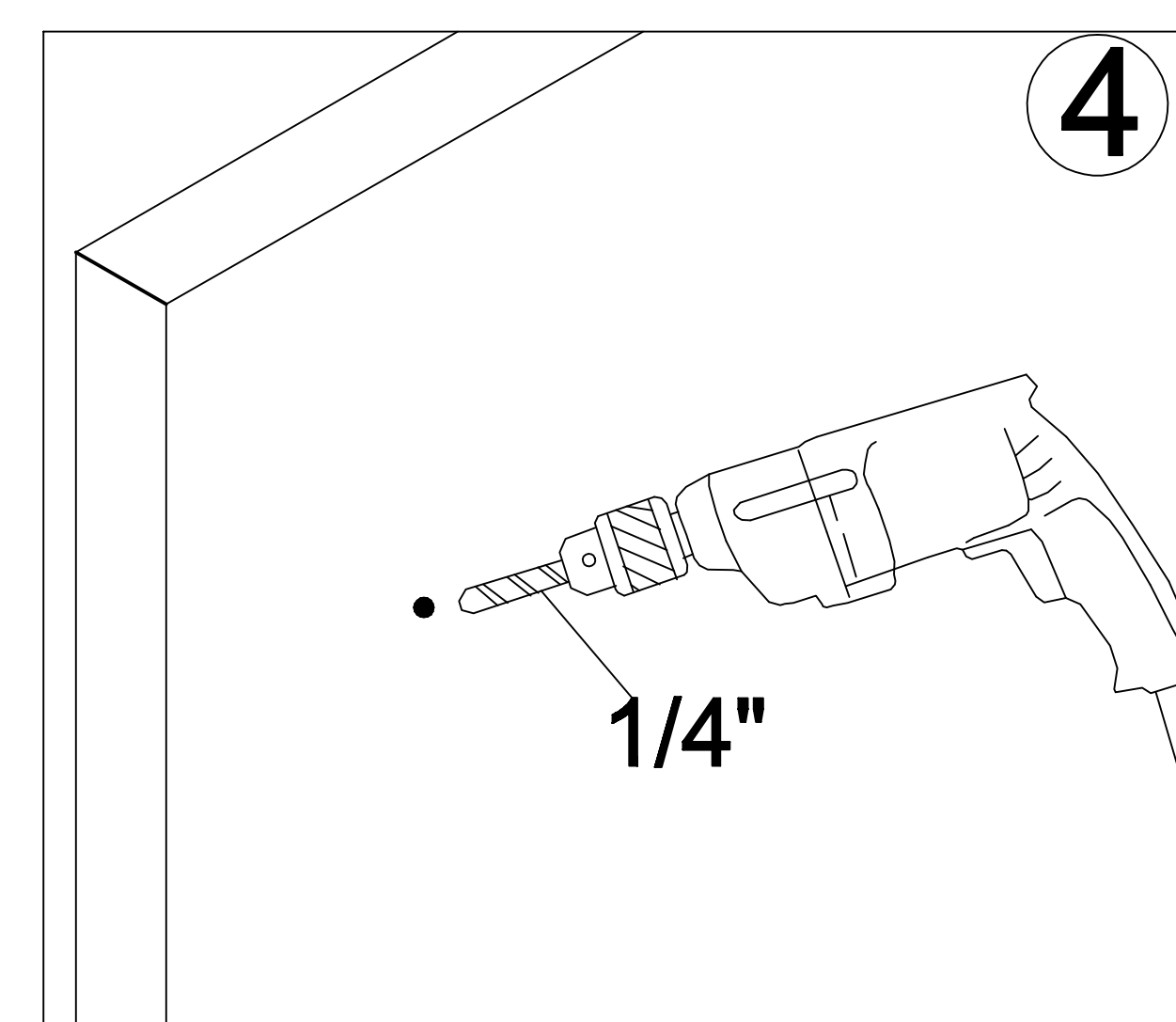
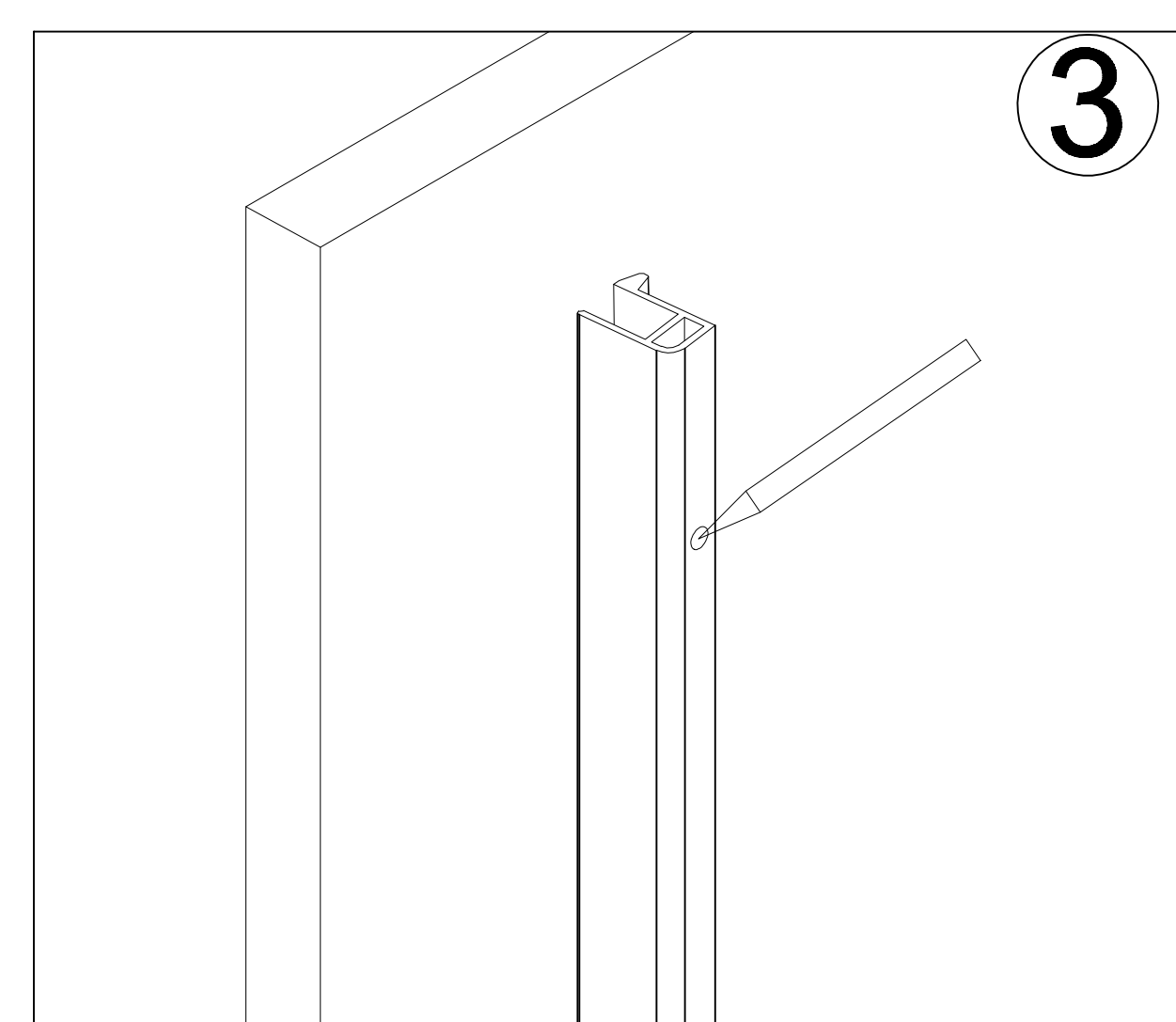
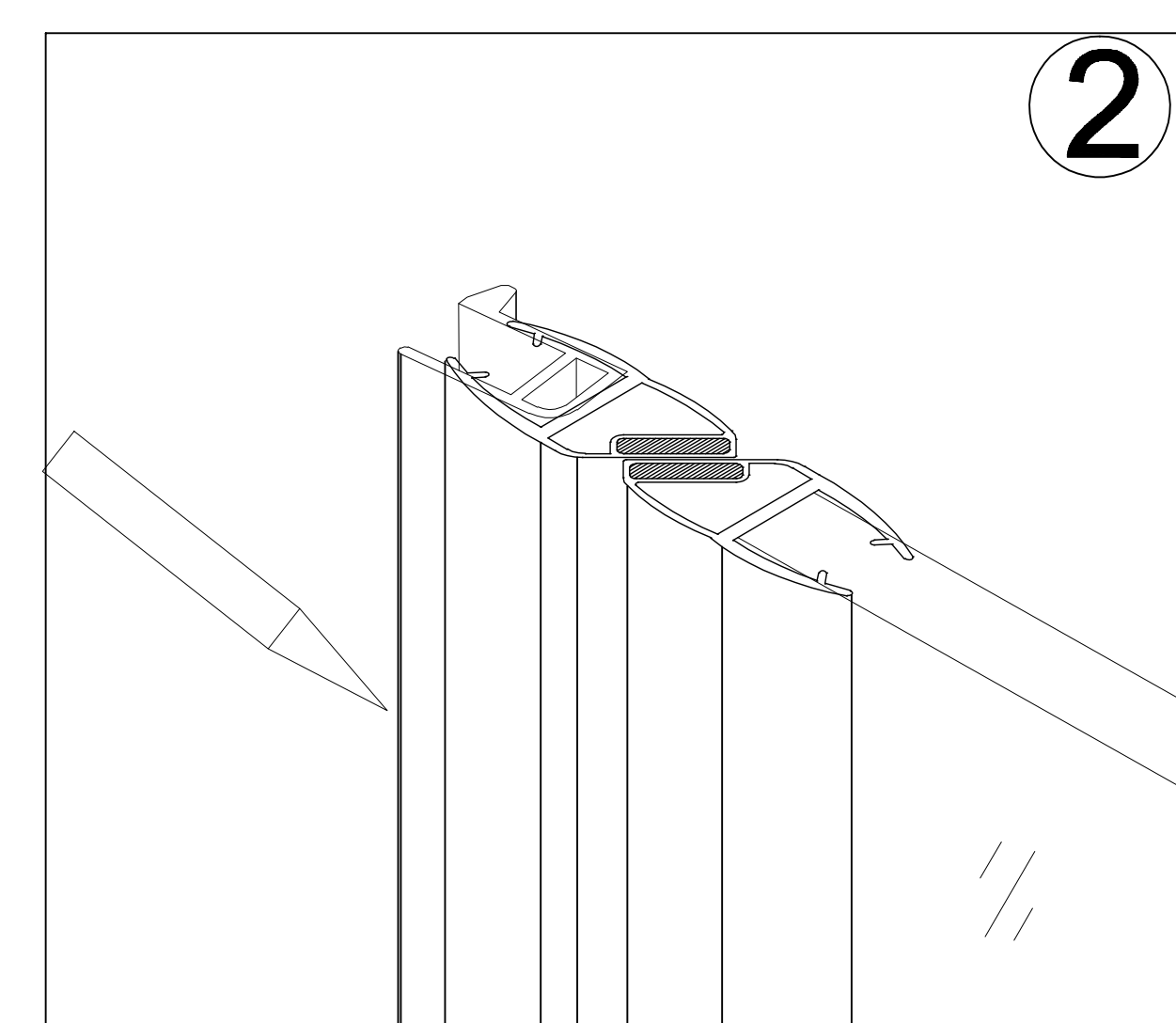
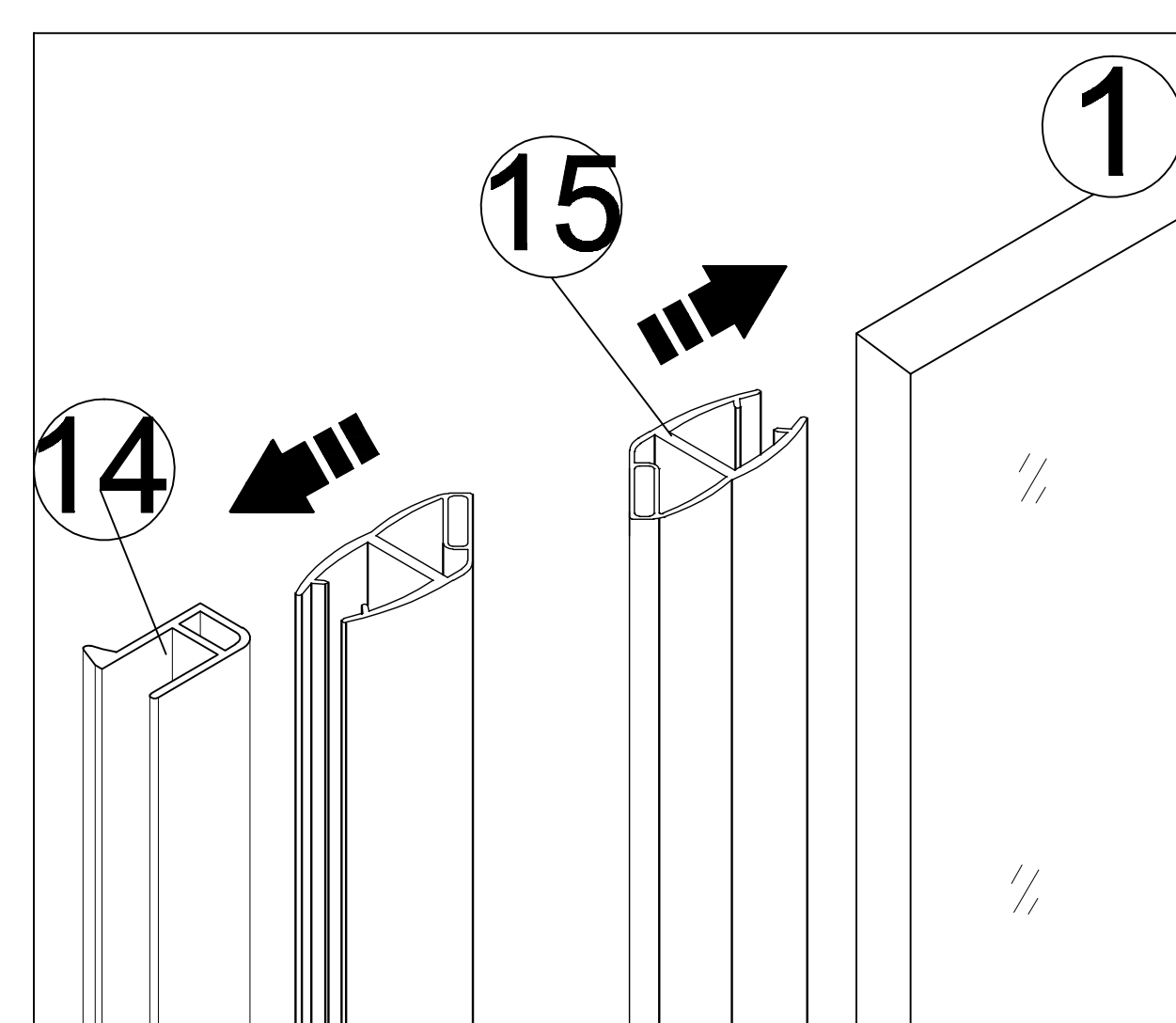
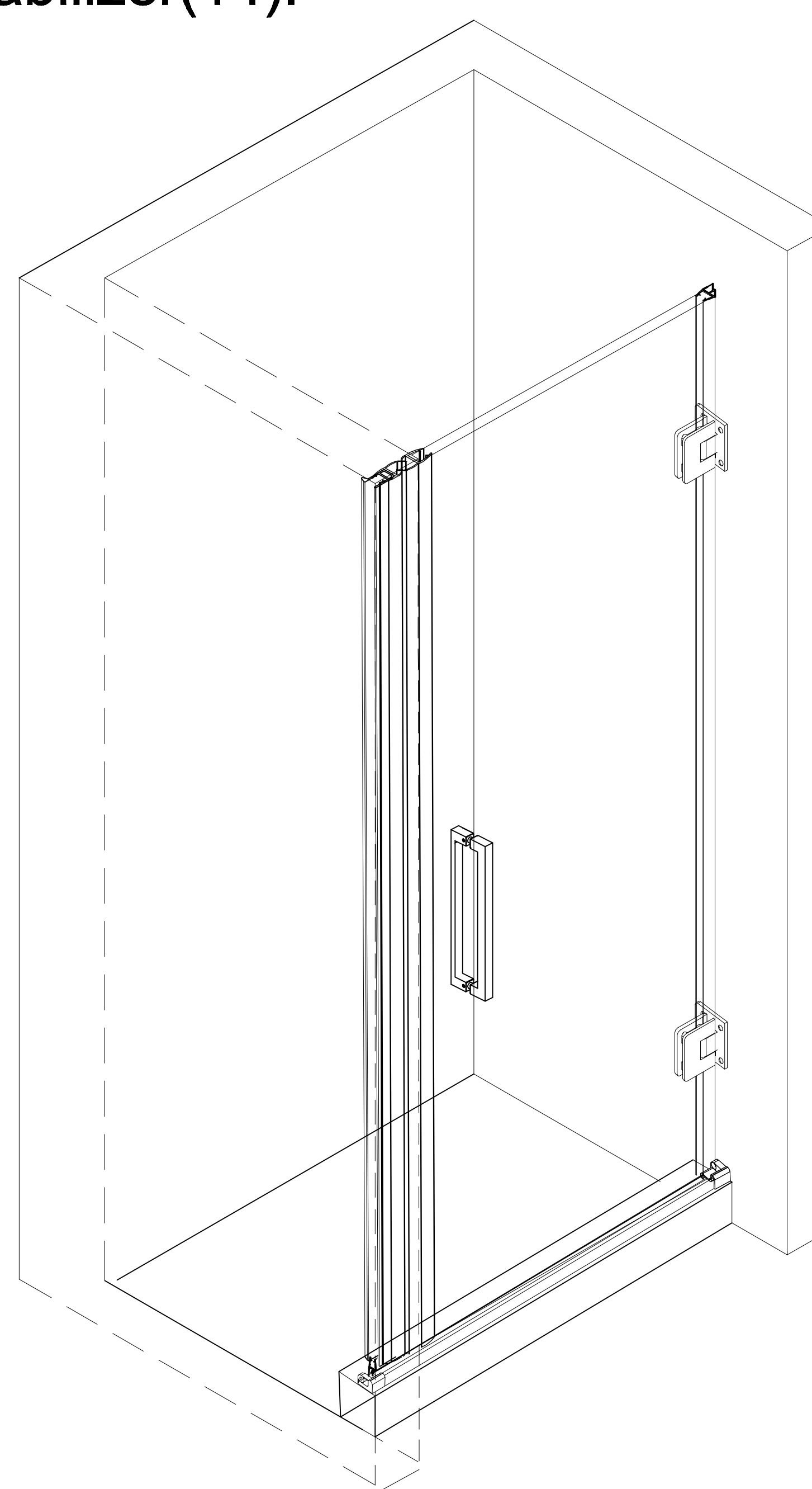
1. Assemble a magnetic strip(15) onto the shower door(5), and assemble the other magnetic strip(15) onto wall-side magnetic strip stabilizer(14).
2. Have the two magnetic strips(15) attracted to each other and close the door(5) then mark the magnetic strip stabilizer(14)'s placement with pencil.
3. Remove magnetic strip(15) from stabilizer(14), hold the stabilizer(14) back to the position where markings show, and mark the hole positions of the stabilizer(14) with pencil.
4. Take off the stabilizer(14) and drill holes on the markings.
5. Hammer the plug 6\*28(8) into the hole.
6. Secure the magnetic strip stabilizer(14) on the wall with screws 4\*30(16) and then assemble the magnetic strip(15) back to stabilizer(14).



## Right Hand Assembly

### STEP 5

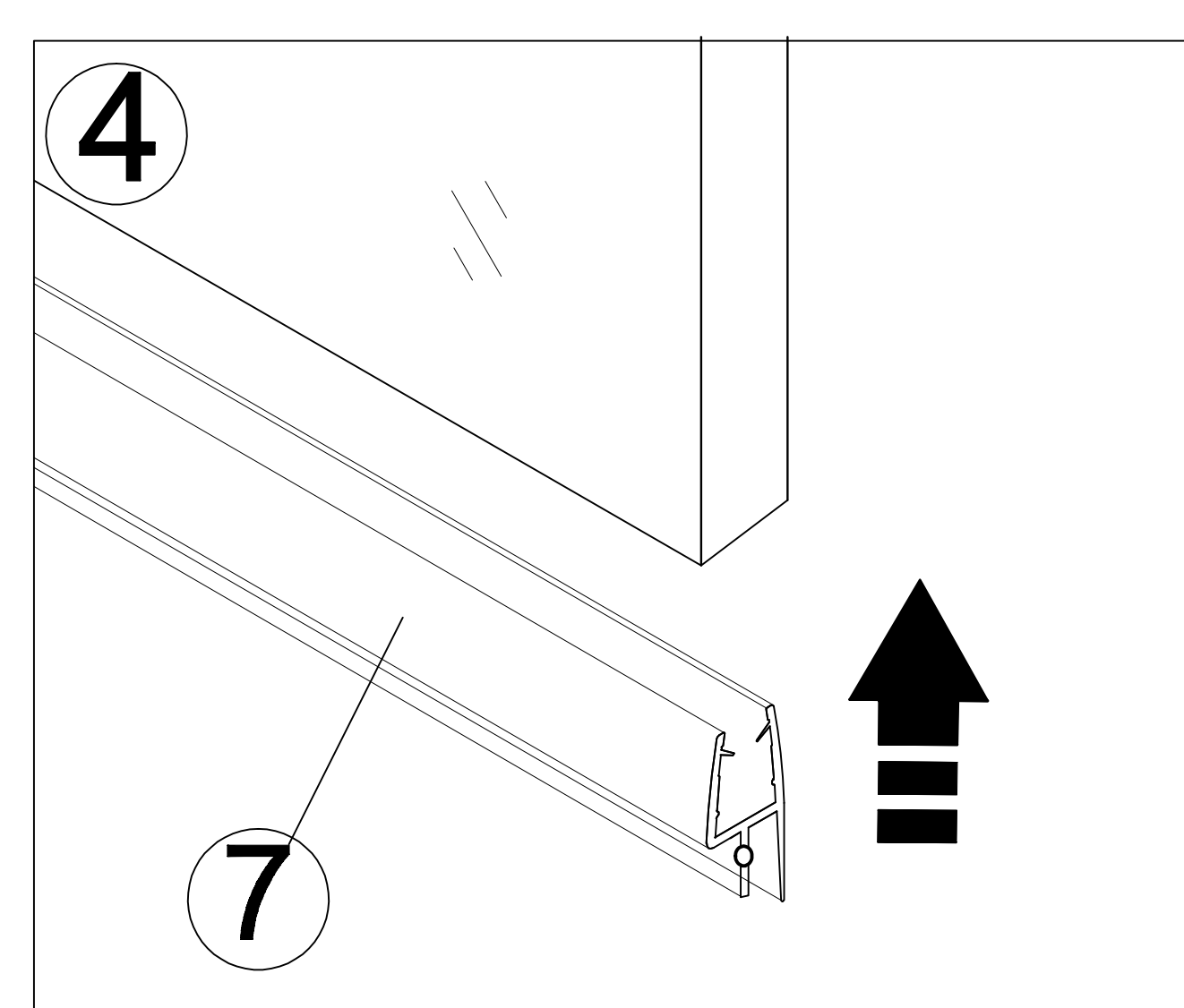
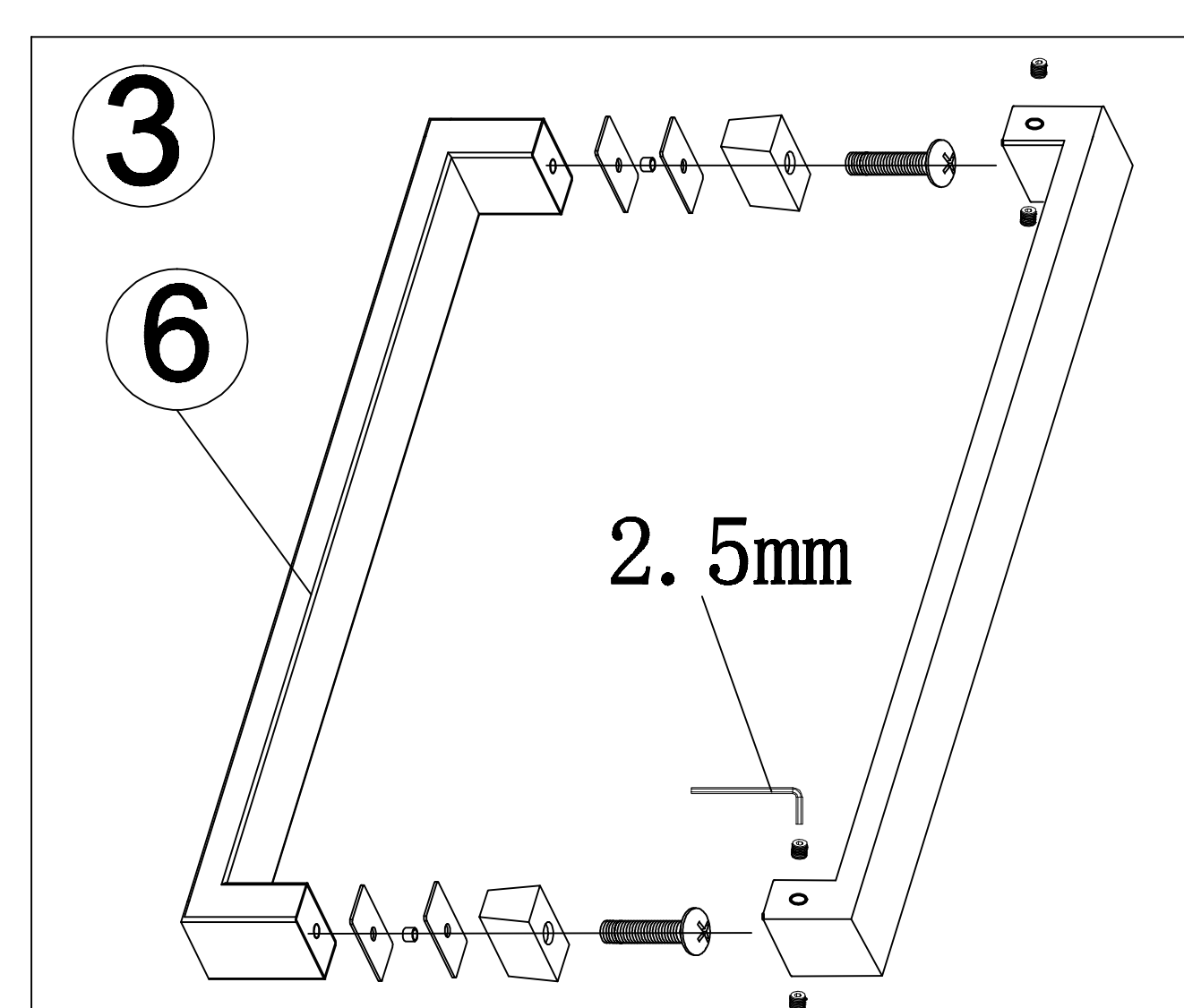
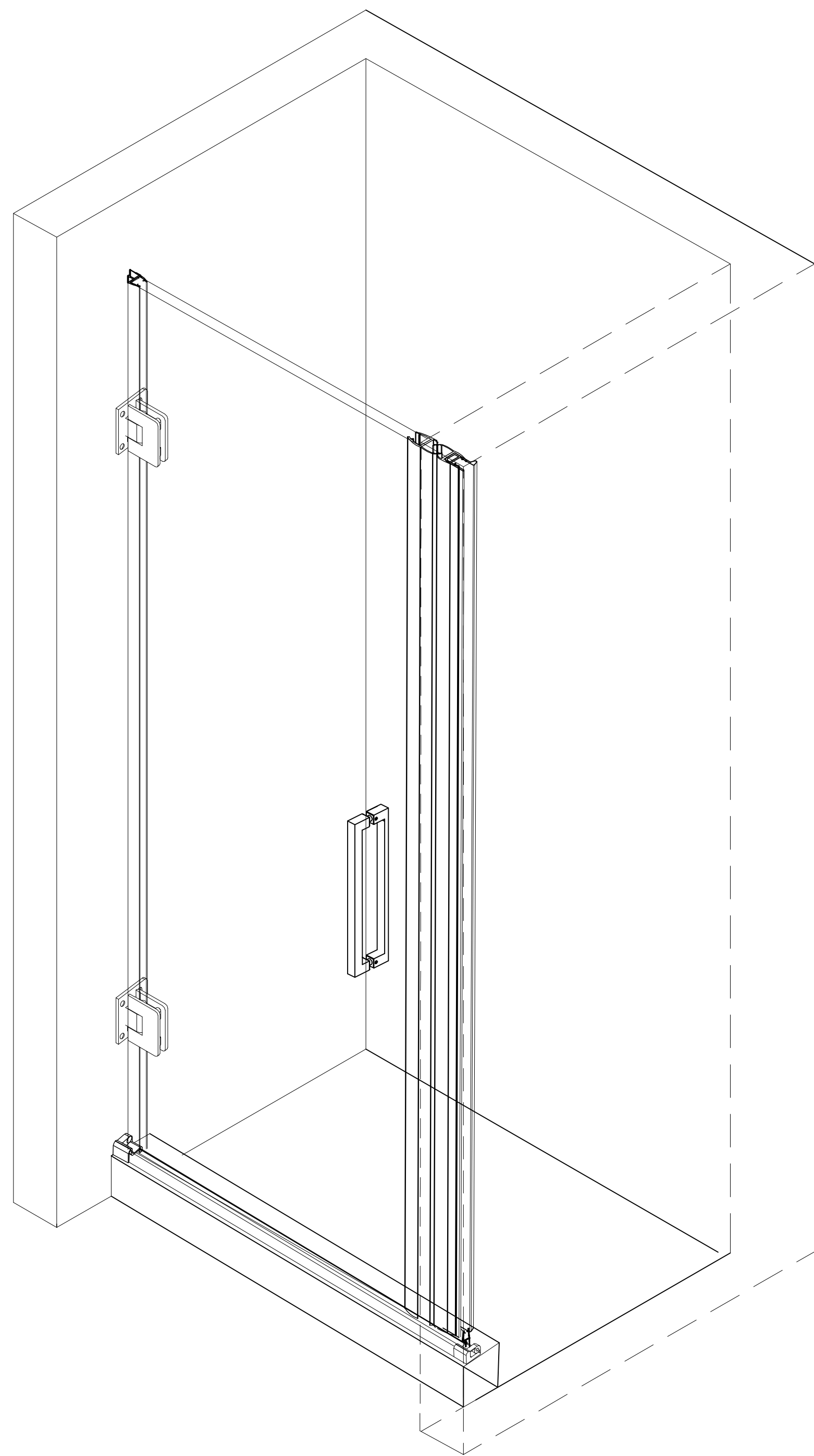
1. Assemble a magnetic strip(15) onto the shower door(5), and assemble the other magnetic strip(15) onto wall-side magnetic strip stabilizer(14).
2. Have the two magnetic strips(15) attracted to each other and close the door(5) then mark the magnetic strip stabilizer(14)'s placement with pencil.
3. Remove magnetic strip(15) from stabilizer(14), hold the stabilizer(14) back to the position where markings show, and mark the hole positions of the stabilizer(14) with pencil.
4. Take off the stabilizer(14) and drill holes on the markings.
5. Hammer the plug 6\*28(8) into the hole.
6. Secure the magnetic strip stabilizer(14) on the wall with screws 4\*30(16) and then assemble the magnetic strip(15) back to stabilizer(14).



## Left Hand Assembly

### STEP 6

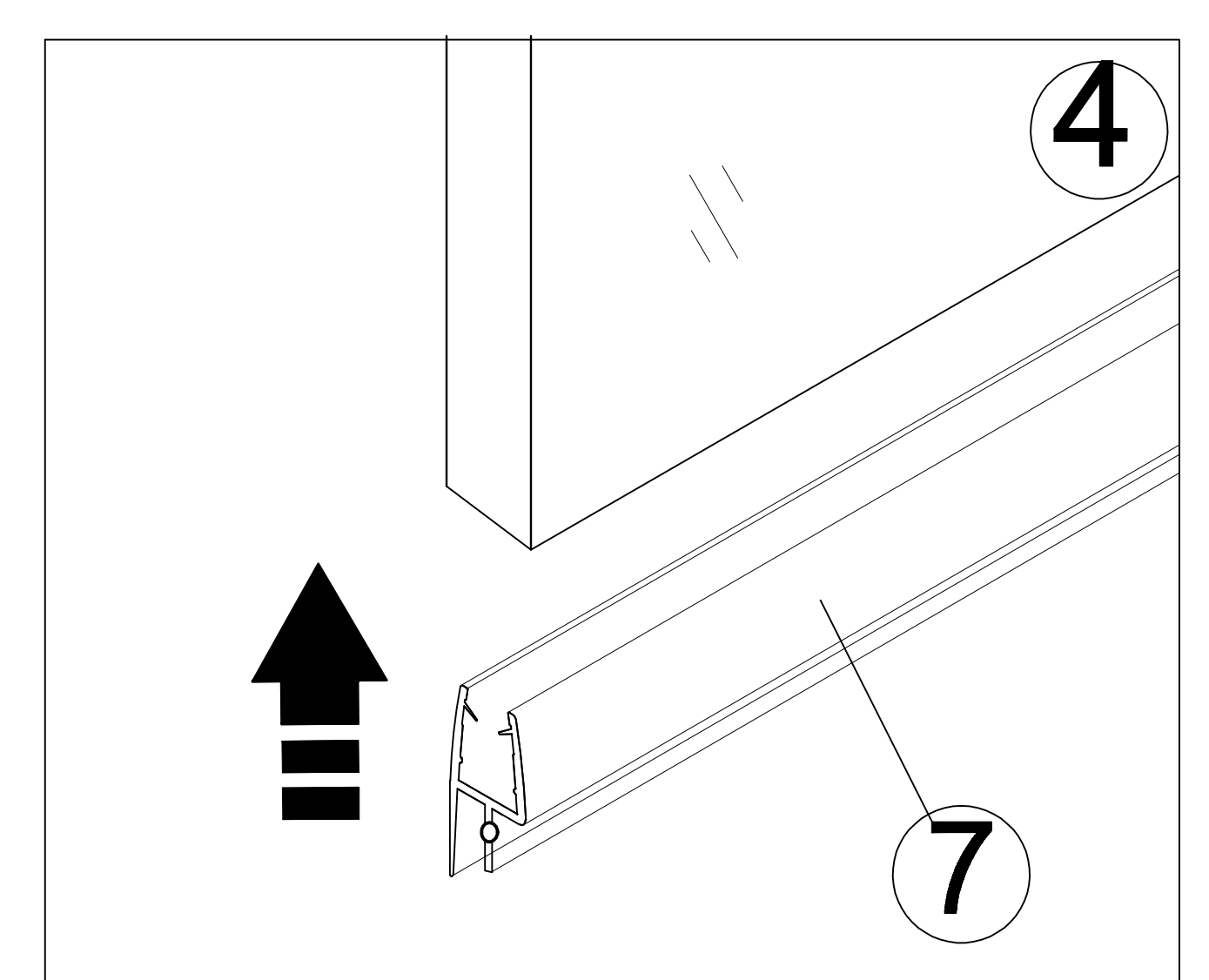
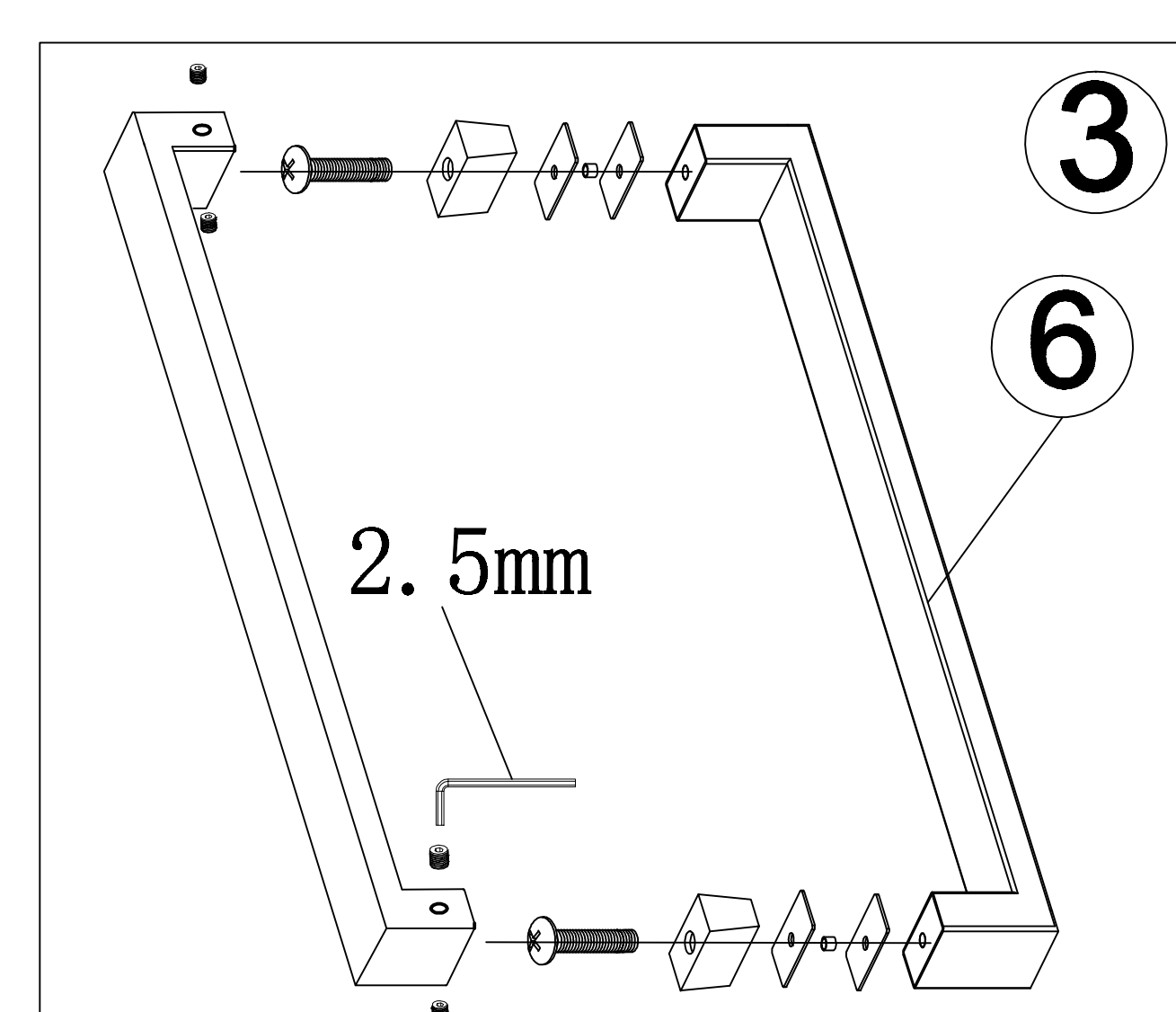
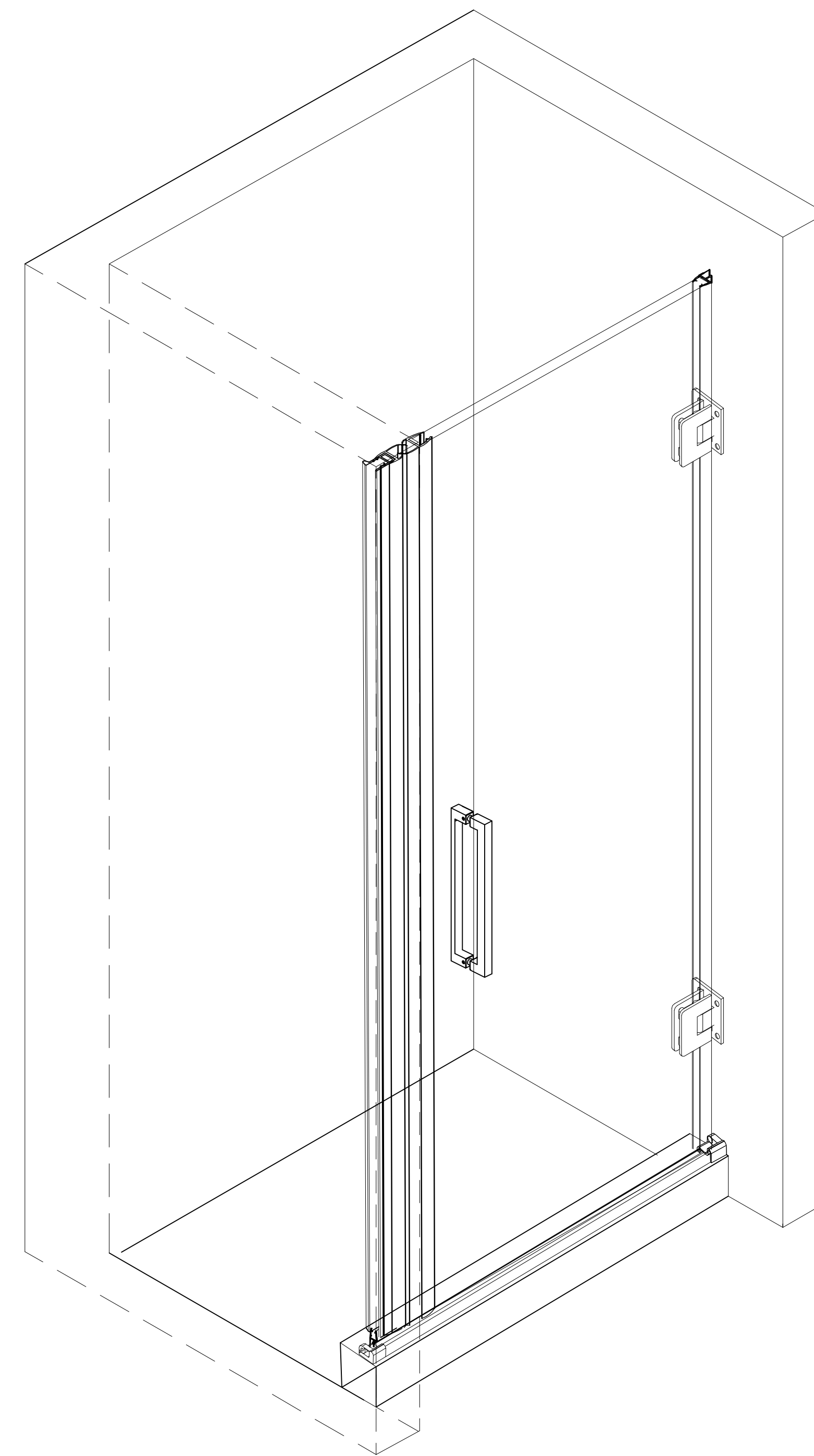
1. Assemble push pull door handle(6) onto shower door(5).
2. Assemble shower door bottom seal strip B(7) to shower door(5).



## Right Hand Assembly

### STEP 6

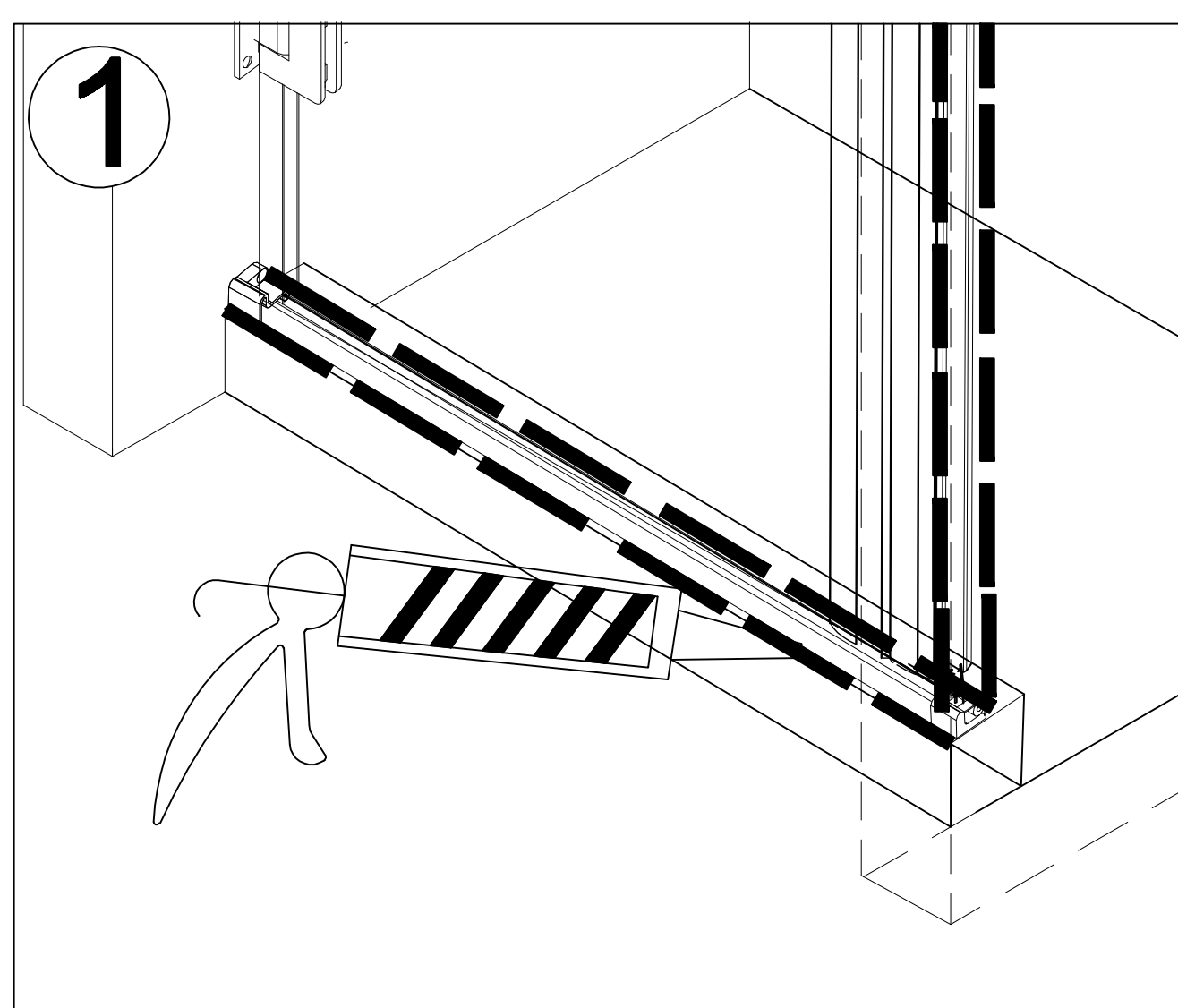
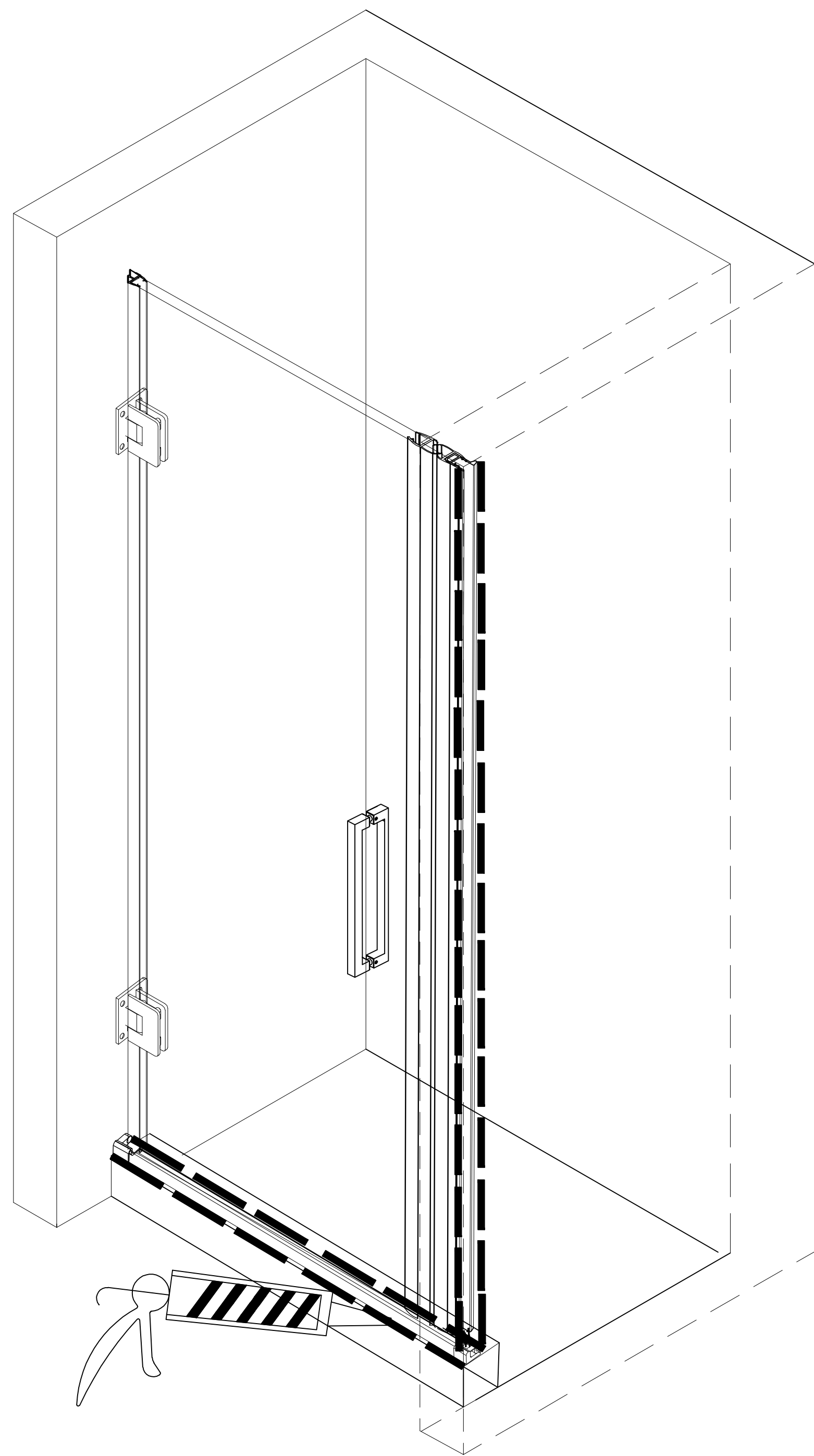
1. Assemble push pull door handle(6) onto shower door(5).
2. Assemble shower door bottom seal strip B(7) to shower door(5).



## Left Hand Assembly

### STEP 7

1. Apply qualified mildew resistant silicone along the sides of wall-mounted magnetic strip stabilizer(14) and Aluminum strip(8). Allow the silicone to dry for 24 hours before using the shower.



## Right Hand Assembly

### STEP 7

1. Apply qualified mildew resistant silicone along the sides of wall-mounted magnetic strip stabilizer(14) and Aluminum strip(8). Allow the silicone to dry for 24 hours before using the shower.

