

# Assembly Instructions

## BARSTOOL

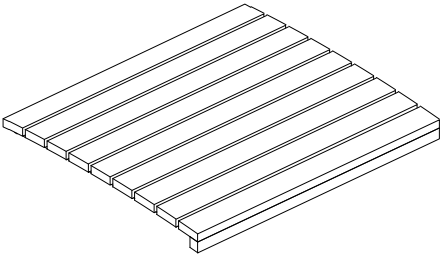
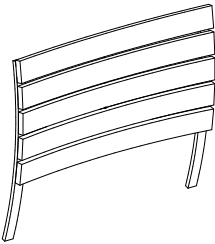
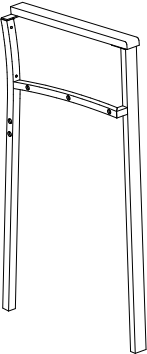
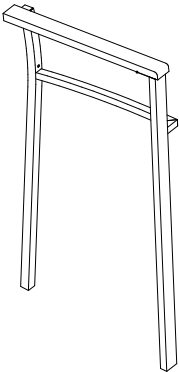
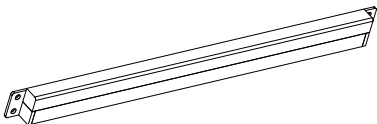
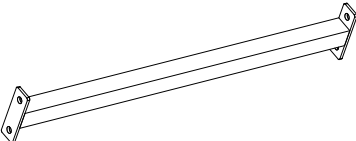
**CAUTION:** You must read this before you proceed.

Please look in the Leg Panels for hardware packs



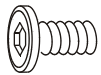
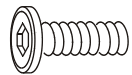
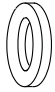

**CAUTION:** This Barstool is NOT a TOY.  
Keep your child/children at bay during the assembly process.  
Whenever lifting the Barstool and to prevent damage to it two adults are needed to execute this action.

## Parts List

No.	Picture	Description	Qty
A	 A perspective drawing of a rectangular seat panel made of seven parallel wooden slats.	Seat Panel	1
B	 A perspective drawing of a curved backrest with four horizontal wooden slats.	Backrest	1
C	 A perspective drawing of a right leg panel, showing two vertical legs and a horizontal crossbar.	Right Leg Panel	1
D	 A perspective drawing of a left leg panel, showing two vertical legs and a horizontal crossbar.	Left Leg Panel	1
E	 A perspective drawing of a long, narrow wooden piece with a notch at one end, used for connecting the front legs.	Front Leg Connection	1
F	 A perspective drawing of a long, narrow wooden piece with a notch at one end, used for connecting the back legs.	Back Leg Connection	1

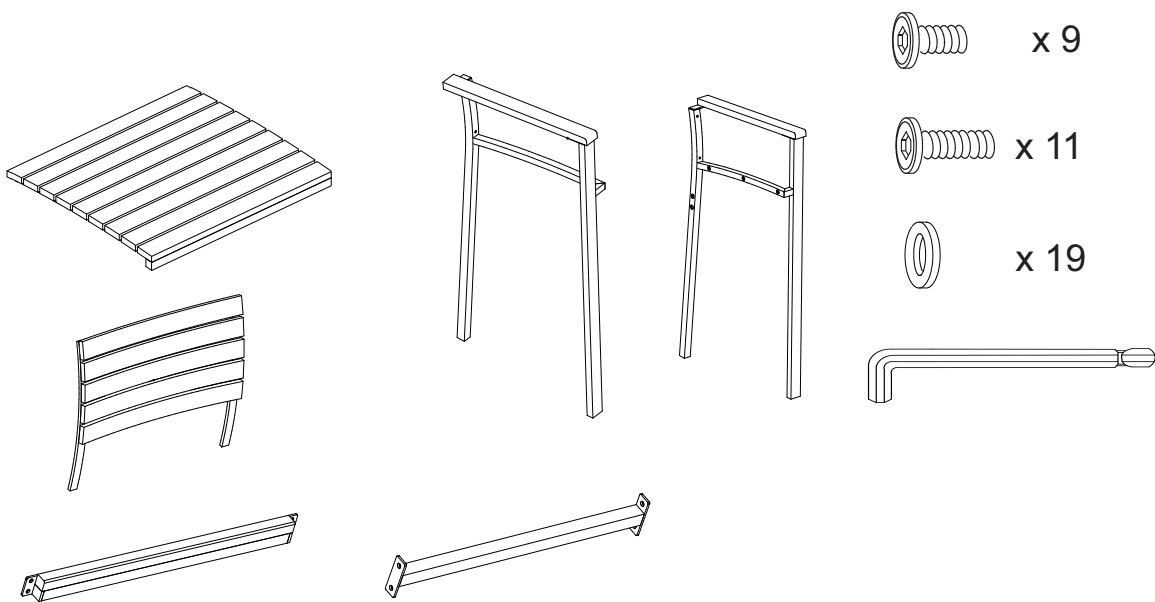
## Hardware

### Chair Hardware

No.	Picture	Description	Qty
①		Bolt M6 x 20mm	9
②		Bolt M6 x 32mm	11
③		Washer (6/16 x 2mm)	19
④		Allen Key	1

### Assembly Preparation

#### Before Beginning Assembly:



Read instructions, cover to cover.



Have 2 adults on hand for assembly.



Do not assemble on flooring or carpet.



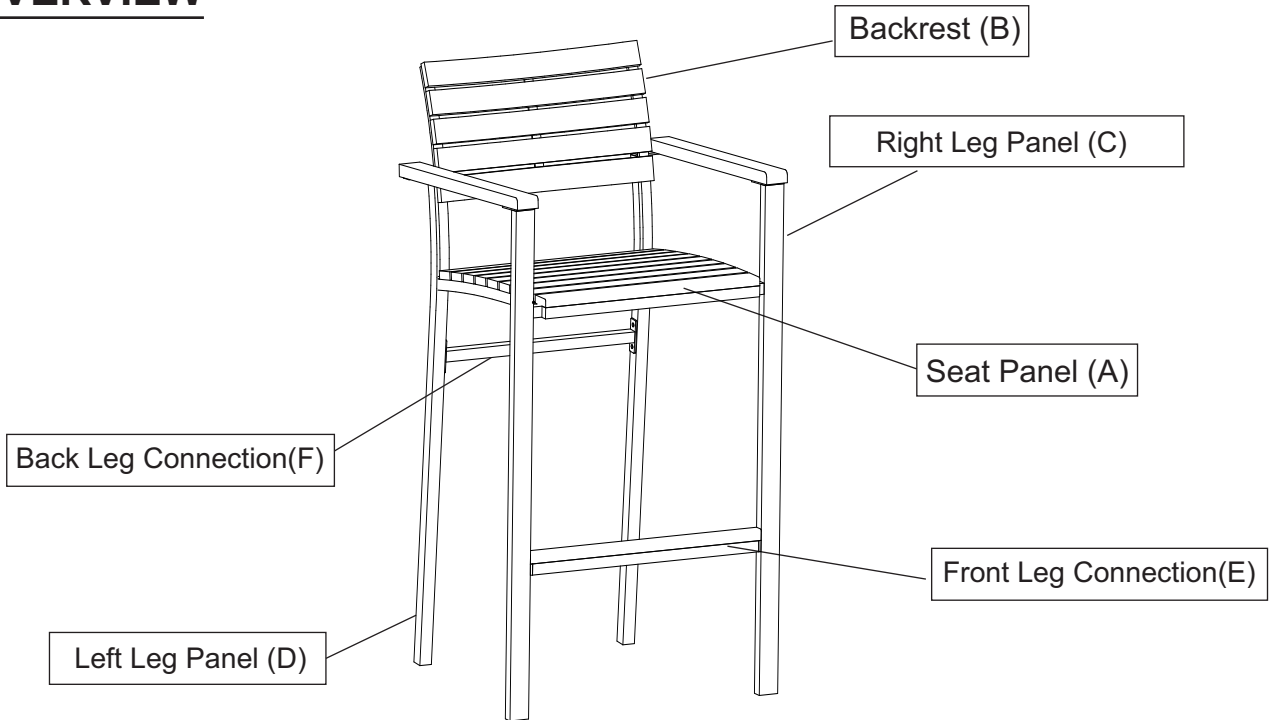
Assemble on a clean non-marring surface (packing foam).



Save all packaging until finished.

## Assembly Steps

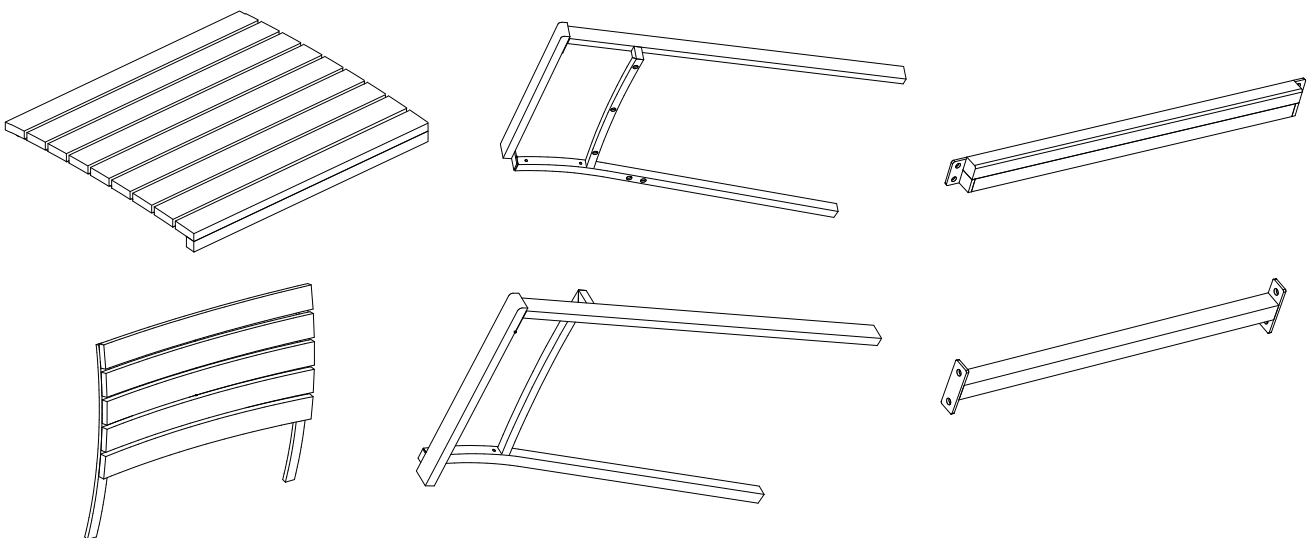
### OVERVIEW



**FRONT FACING**

This Barstool has multiple parts and may require up to 30 minutes to assemble. To give you an overview of the Barstool parts, the above picture is to help you put the various parts into perspective. Please read through the instructions below to familiarise yourself with the parts and steps before assembly.

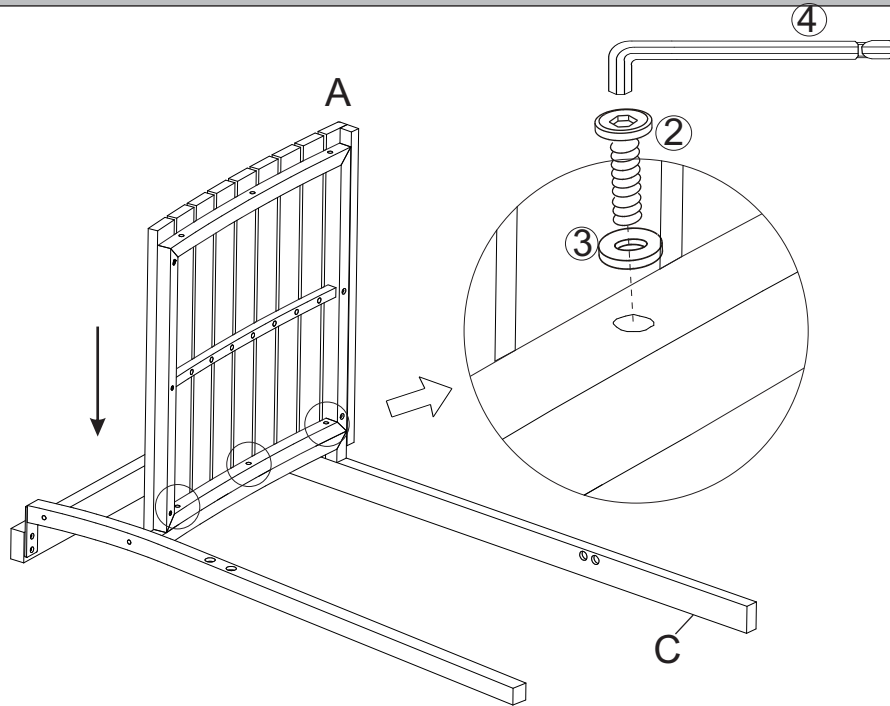
### **Step 1**



Unpack and place all parts on a clean, non-marring surface.

## Assembly Steps

### Step 2

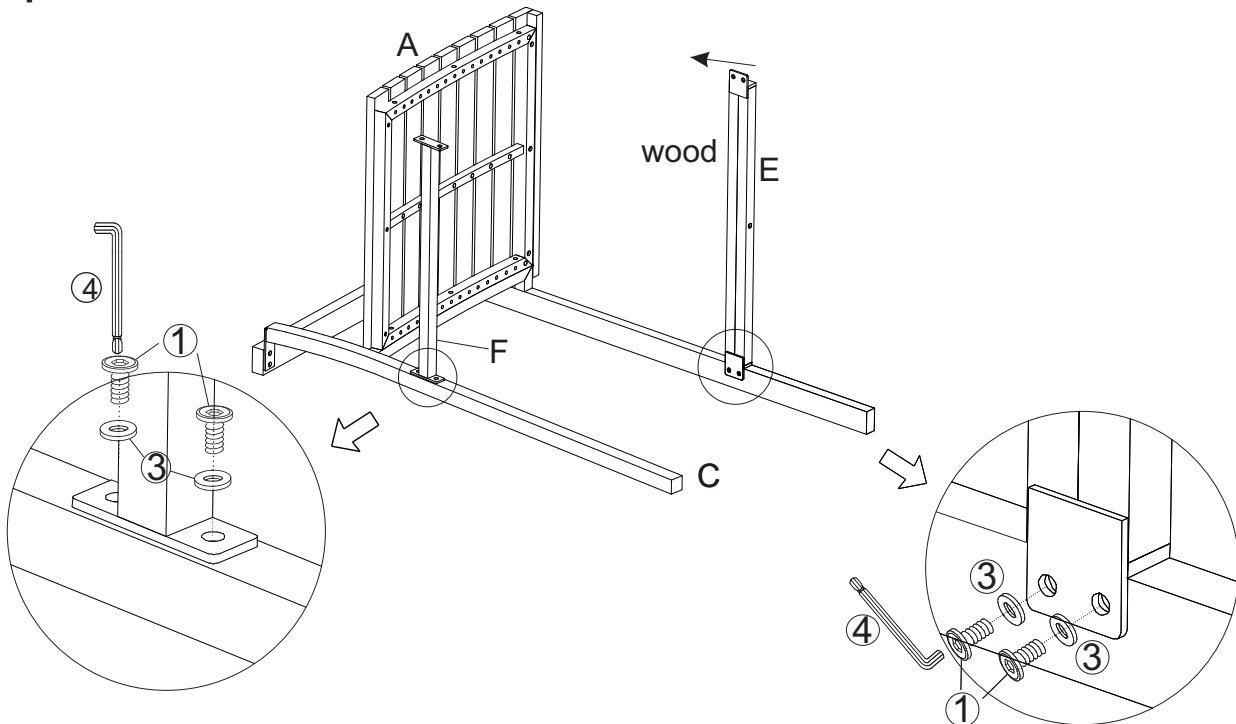


Put the Seat Panel (A) onto the Right Leg Panel (C) in the direction of the arrow as shown in above picture.

Attach the Seat Panel (A) to the Right Leg Panel (C) using Bolts (2), Washers (3) and the Allen Key (4).

**Do not fully tighten the Bolts.**

### Step 3

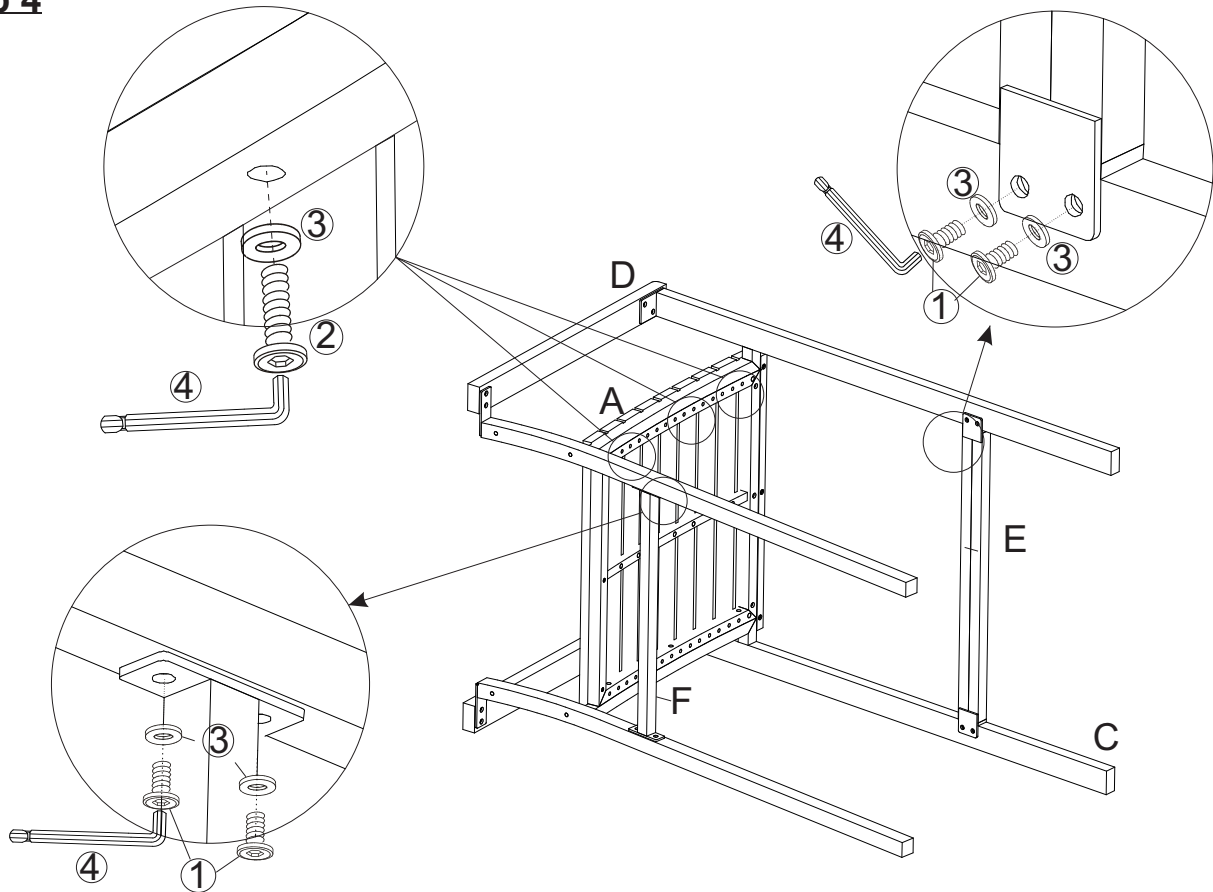


Attach the Back Leg Connection (F) and the Front Leg Connection (E) to the Right Leg Panel (C) using Bolts (1), Washers (3) and the Allen Key (4).

**Do not fully tighten the Bolts.**

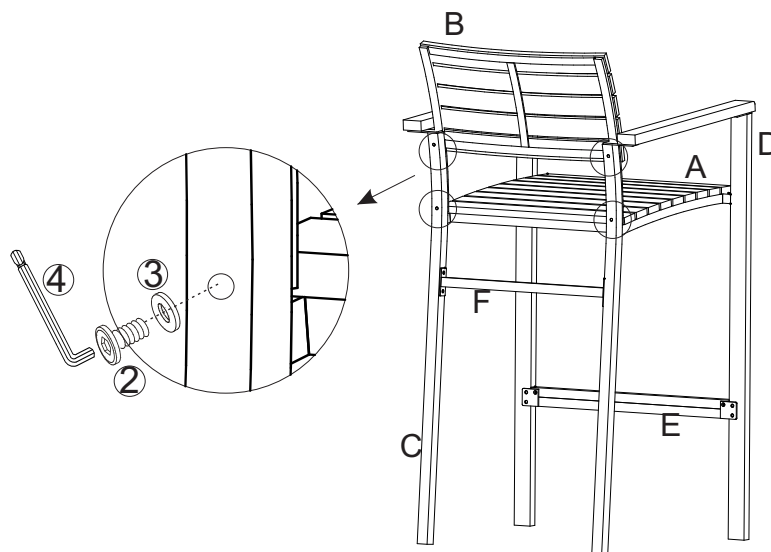
## Assembly Steps

### Step 4



Attach the Left Leg Panel (D) to the Seat Panel (A) using Bolts (2), Washers (3) and the Alley Key (4). Then secure the Left Leg Panel (D) to the Front Leg Connection (E) and the Back Leg Connection (F) using Bolts (1), Washers (3) and the Alley Key (4). **Do not fully tighten the Bolts.**

### Step 5



With the assistance of your adult partner, turn the Barstool right side up. Attach the Backrest (B) to the Right Leg Panel (C) and the Left Leg Panel (D) using Bolts (2), Washers (3) and the Allen Key (4). **Do not fully tighten the Bolts.**










## Assembly Steps

### Step 6



Exert pressure floorwards, onto the Barstool with both your hands. This pressure will help the Legs and the Barstool reach full alignment status. Check for wobbles on a LEVEL surface. If no wobbles are found proceed to tighten the Bolts in a sequential manner, until evenly secured. When tightening the Bolts tighten sequentially. Do not tighten any Bolt fully and then move on towards the next one. If there are still wobbles, loosen the Bolts and execute the same above process. Your Barstool is ready for use. This Barstool can only be used on a flat, level surface.

## Care & Maintenance

-   Do not put hot items directly on furniture surface.
-   Do not clean furniture with harsh cleansers or polish.
-   To obtain the longest lifespan of your outdoor products, minimizing exposure to direct sunlight is recommended.
-   Children should not climb or jump on the furniture.
-   Do not write on furniture without a padded barrier to protect the surface.
-   To obtain the longest lifespan of your outdoor products, avoid extended and lengthy exposure to rain, snow, and direct sunshine. Whenever possible cover the product and /or place under patio or awnings.
-   Not for commercial use. For residential use only
-   Stains may be removed with mild soap solution and damp cloth.
-   Dust and pick-up spills using a clean, non-colored, lint-free cloth.