

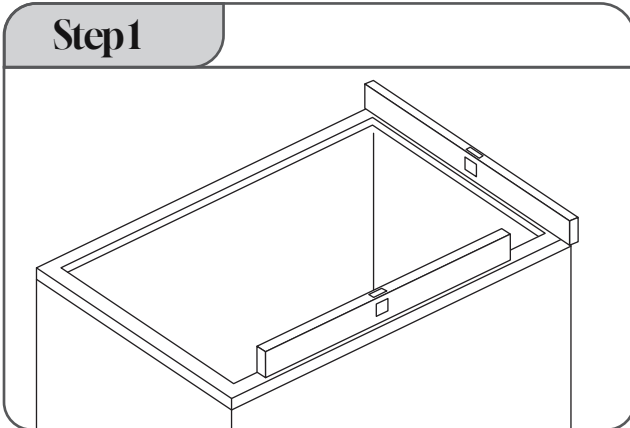
# Installation Manual

## For Bathroom Acrylic Basin

### ACRYLIC BASIN INSTALLATION

Install cabinet per manufacturer's instructions.

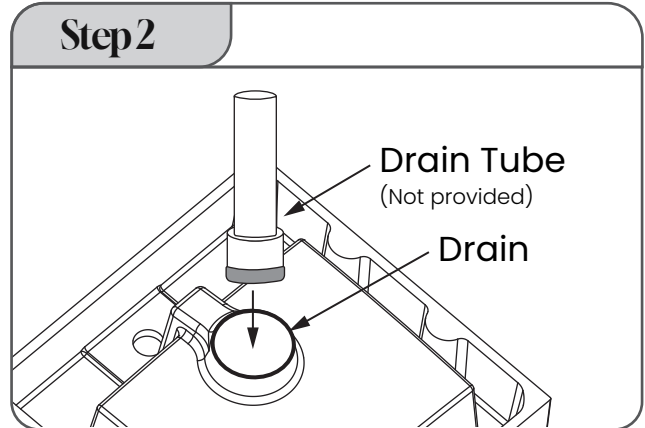
#### Step 1



① check cabinet for level

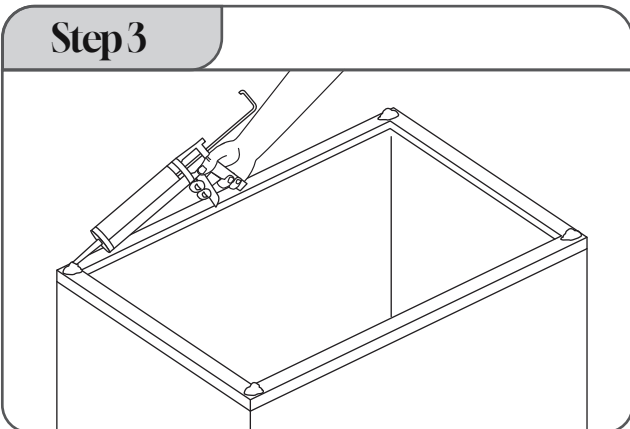
**NOTE:** if cabinet is out of level, and adjustment is possible, level cabinet. Once cabinet is level, apply a small amount of caulk on each corner of cabinet.

#### Step 2



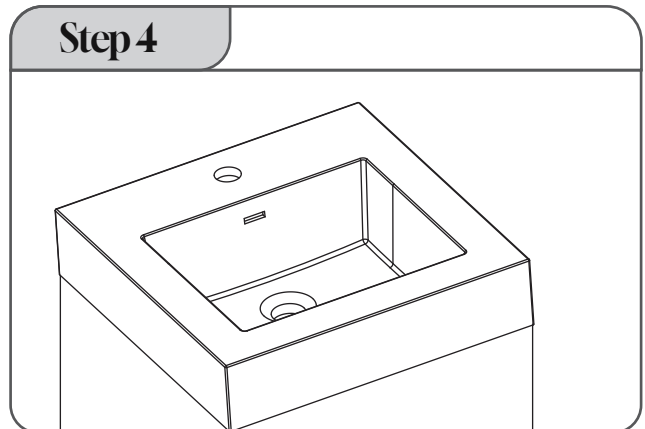
② Attached the drain tube to the threaded insert under the Acrylic Basin.

#### Step 3



③ Apply glass cement or silicone along the edge of the cabinet top.

#### Step 4



④ Place the Acrylic Basin on the cabinet and adjust the space, remove any extra adhesive, and allow Acrylic Basin to set for 24 hours to ensure maximum adhesion.

### ⚠ WARNING

#### SOLVENTS HAZARD



Follow all manufacturers' safety instructions for silicone sealants and denatured alcohol. Alcohol vapors are both flammable and hazardous to breathe. Silicone vapors may irritate eyes and nose. Personal injury can result from improperly handling or use of products, such as denatured alcohol. Always follow the manufacturer's recommendations for the safe use of these products. Ventilate any work area before beginning to apply silicone sealants, cleaning agents, or solvents.