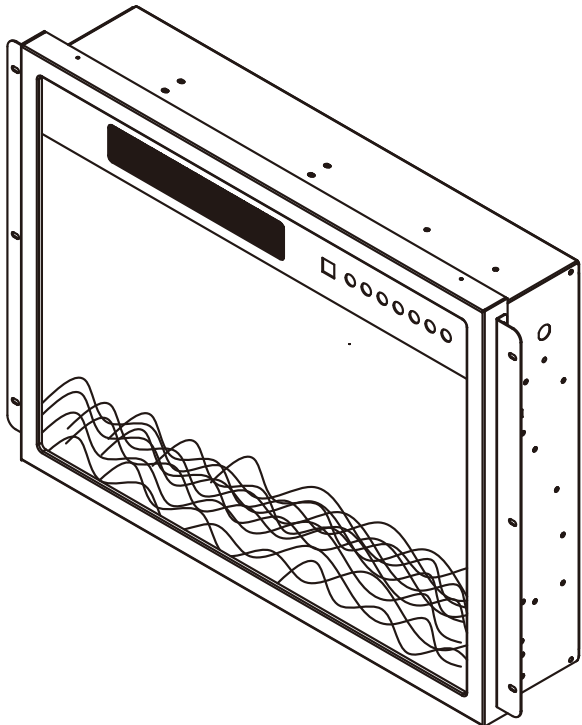




INSTRUCTION MANUAL

23 Inch Electric Fireplace



WELCOME TO THE FUTURE OF HOME ENTERTAINMENT!

Thank you for choosing our new electric fireplace and TV stands! Our products are designed to be both stylish and functional, with a focus on energy efficiency and sustainability.

We use high-quality materials to ensure that our pieces are built to last, so you can enjoy them for years. Whether you're looking for a cozy electric fireplace or a stylish TV stand, we have something for everyone.

Our products are perfect for any home or office, and we're confident that you'll love them as much as we do!

IMPORTANT SAFETY INSTRUCTIONS. **READ** THE ENTIRE MANUAL PRIOR TO USE.

YEAH, THE BORING STUFF

But make sure to read it, so you don't mess things up!

PLEASE READ ALL OF THE INFORMATION IN THIS OPERATING MANUAL, INCLUDING ALL SAFETY OPERATING, AND MAINTENANCE INFORMATION. TO AVOID THE POTENTIAL RISK OF FIRE, ELECTRIC SHOCK, OR INJURY TO PERSONS, USERS SHOULD FOLLOW THE DIRECTIONS AND WARNINGS IN THIS MANUAL

1. Read all instructions before using this heater.
2. Do not use this heater outdoors.
3. This heater is not intended for use in bathrooms, laundry areas and similar indoor locations. Never locate the heater where it may fall into a bathtub or other water container.
4. Do not run the power cord under carpeting. Do not cover the power cord with throw rugs, runners, or the like. Arrange the power cord away from traffic areas and where it will not be tripped over.
5. To disconnect the heater, turn controls to off, then remove the plug from the outlet
6. Connect to properly grounded outlets only. Always plug heaters directly into a wall outlet/receptacle. Never use with an extension cord or relocatable power tap (outlet/power strip).
7. To prevent a possible fire, do not block firebox air intakes or the exhaust in any manner. Do not operate the firebox on soft surfaces, like a bed, where openings may become blocked.
8. There is a thermostat limiter inside the heater. When the internal temperature overheats or abnormal heating occurs, the thermostat protective device cuts off the power supply to prevent damage to the fireplace or the risk of fire.
9. Use this heater only as described in this manual. Any other use not recommended by the manufacturer may cause fire, electrical shock, or injury to persons.

SAVE THESE INSTRUCTIONS

WARNING:

There are no user serviceable parts inside the fireplace/heater. If the unit appears to malfunction, turn the unit off and unplug it from the wall immediately, then contact Customer Service (fireplace-service@hotmail.com).

WARNING:

This heater is hot when in use. To avoid burns, do not let bare skin touch hot surfaces. If provided, use handles when moving this heater. Keep combustible materials, such as furniture, pillows, bedding, papers, clothes, and curtains, at least 3 feet (0.9 meters) from the front of the heater and keep them away from the sides and rear.

WARNING:

Extreme caution is necessary when any heater is used by or near children or invalids, and whenever the heater is left operating and unattended.

WARNING:

Always unplug the heater when not in use.

WARNING:

Do not operate any heater with a damaged cord or plug, or after the heater malfunctions, has been dropped, or is damaged in any manner. Return the heater to an authorized service facility for examination, electrical or mechanical adjustment, or repair.

WARNING:

Do not insert or allow foreign objects to enter any ventilation or exhaust openings, as this may cause an electric shock, fire, or damage the heater.

SAVE THESE INSTRUCTIONS

WARNING:

A heater has hot, arcing, or sparking parts inside. Do not use it in areas where gasoline, paint, or flammable liquids are used or stored.

CAUTION:

While the heater is in use, the top center of the fireplace can get hot to the touch and may cause serious injury or burns. Always supervise small children around the fireplace or heater. Do not place any cloth or decorations over the heater outlet of the fireplace or otherwise obstruct it, as this may cause a fire and result in serious injury.

SAFETY INFORMATION (CONTINUED)

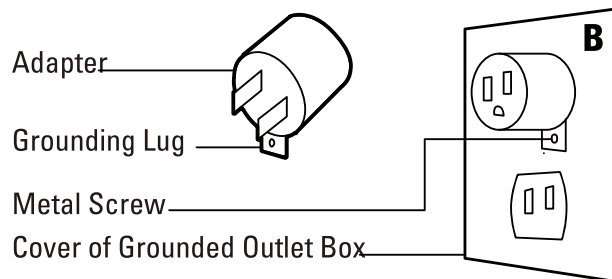
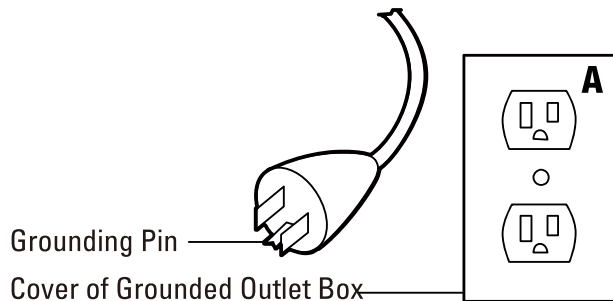
GROUNDING INSTRUCTIONS

DANGER:

Improper connection of the equipment-grounding conductor can result in a risk of electric shock. Check with a qualified electrician or serviceman if you are in doubt as to whether the product is properly grounded. Do not modify the plug provided with the product. If it does not fit the outlet, have a proper outlet installed by a qualified electrician.

This product must be grounded. If it should malfunction or break down, grounding provides a path of least resistance for electric current to reduce the risk of electric shock. This product is equipped with a cord having an equipment-grounding conductor and a grounding plug. The plug must be plugged into an appropriate outlet that is properly installed and grounded in accordance with all local codes and ordinances.

This heater is for use on 120-volt circuits and has a grounded plug. An adapter is available from your local electronics store or online supplier for connecting three-blade grounding-type plugs to two-slot receptacles. The green grounding lug extending from the adapter must be connected to a permanent ground, such as a properly grounded outlet box. The adapter should not be used if a three-slot grounded receptacle is available.



WARRANTY

We are confident that you will be delighted with this purchase. Should this product be defective in workmanship or materials, or fail under normal use, we will repair or replace it for a period of up to one (1) year from the date of purchase.

This warranty gives you specific rights and you may also have other rights which vary from state to state.

PRE-INSTALLATION

ELECTRICAL SPECIFICATIONS

Voltage: 120VAC60HZ

Watts: 750W/1500W

GRAB YOUR TOOLS



Screwdriver



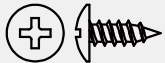
2 Persons Assembly



Up to 30 Minutes For Assembly

WHAT'S IN THE BOX

Screws



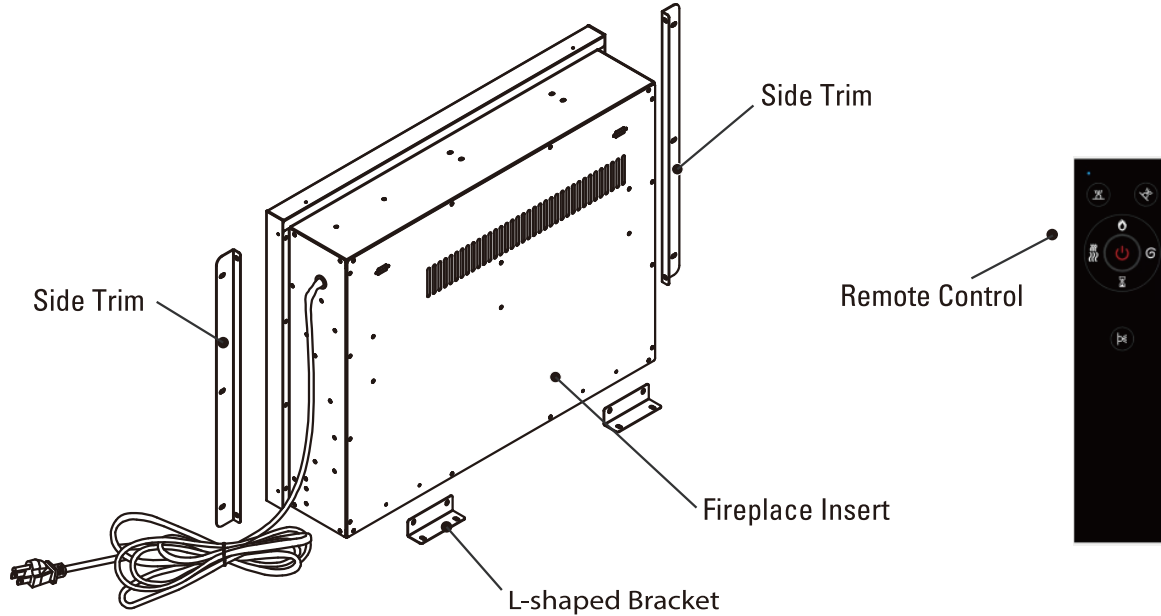
18+2 PCS



NOTE:

Hardware not shown to actual size

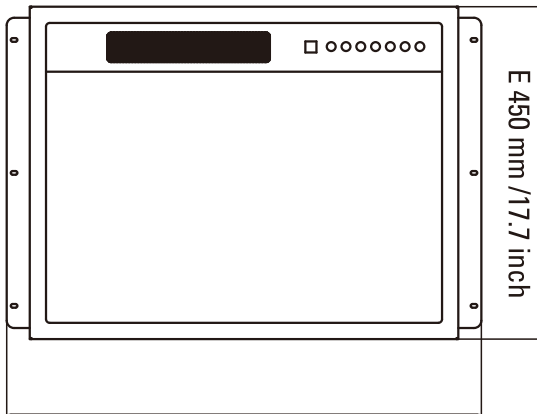
PARTS



⚠ CAUTION:

This insert has front panel made of GLASS! ALWAYS use extreme caution when handling glass. Failure to do so could result in personal injury or property damage.

DIMENSION

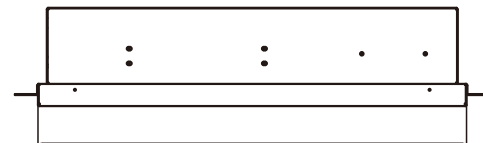


D 642.4 mm / 25.29 inch

C 103 mm / 4.06 inch



B 133 mm / 5.24 inch



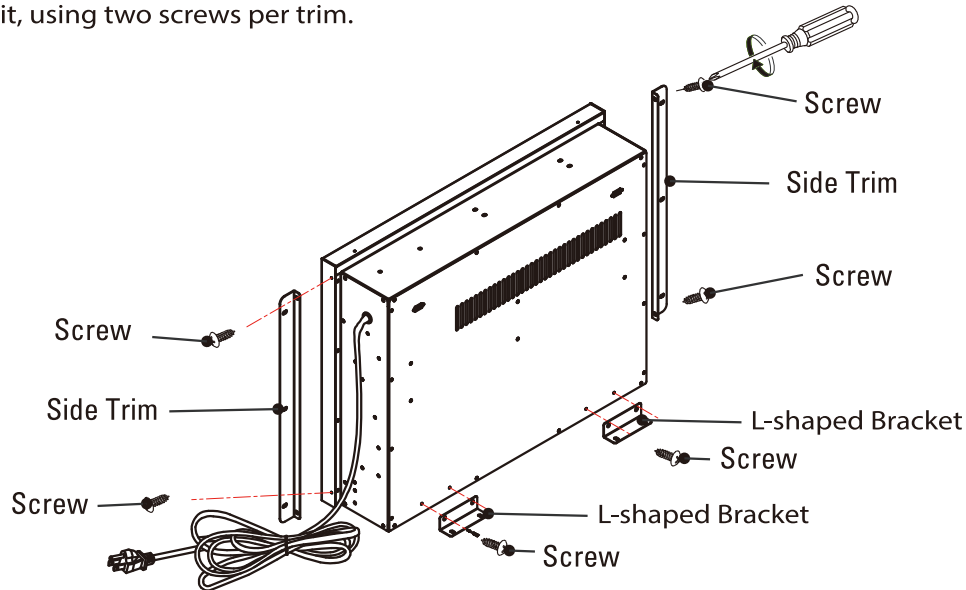
A 580 mm / 22.84 inch

PRODUCT ASSEMBLY

STEP 1

Attaching the metal trims

Align and attach two side trims to both sides of the fireplace insert, respectively, with the right-angle side facing the front of the unit, using two screws per trim.



STEP 2

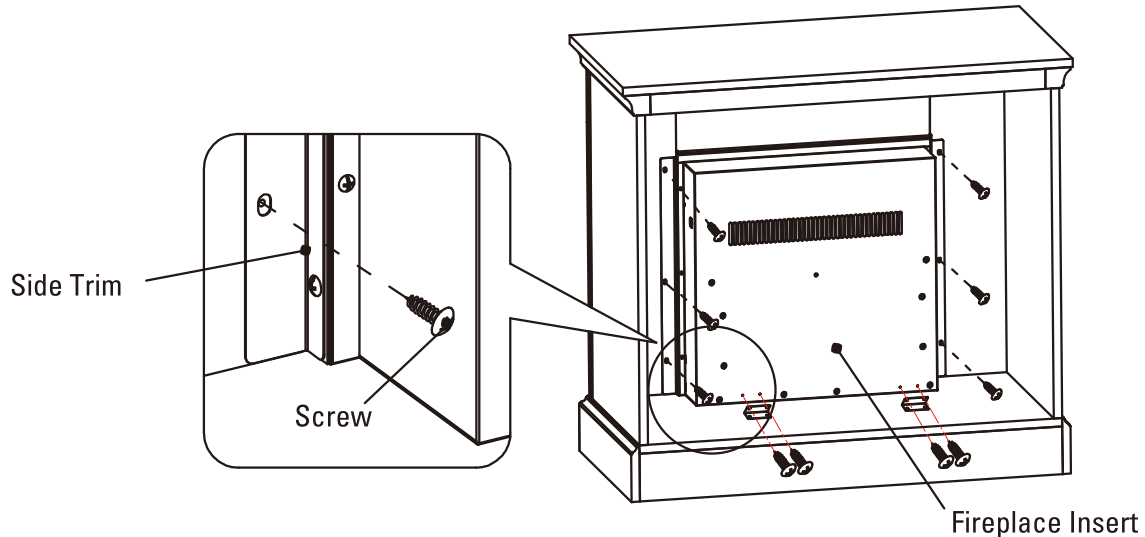
Installing the fireplace insert

Carefully set the fireplace insert into the back of the mantel and center it in the opening. Use care not to scratch the wood. Check the alignment, and then attach the fireplace insert to the mantel by inserting the screws through the drilled holes on the L-shaped bracket and securely screwing them into place using a screwdriver.



NOTE:

DO NOT attempt to install the insert from the front of the mantel - it will not fit.

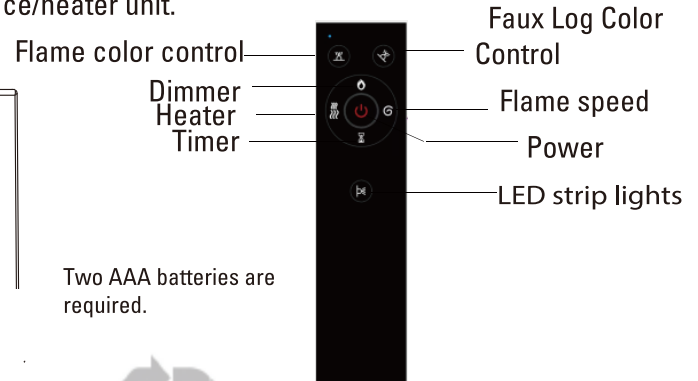
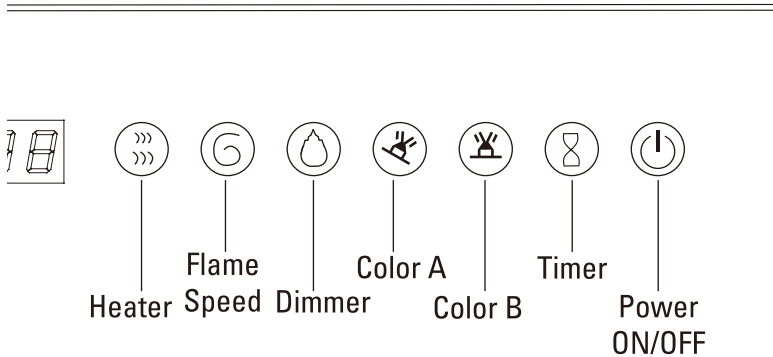


PRODUCT ASSEMBLY

OPERATION

Identifying the control panel

The control panel is located on the top right corner of the fireplace/heater unit.









Two AAA batteries are required.





Batteries must be recycled or disposed of properly. Check with your local authority or retailer for recycling advice in your area.

Using the remote control

The operation of the remote control buttons works the same as the buttons on the front panel of the fireplace/heater. Review the Operation section for more information on the functionality of these buttons.

POWER		Turns the unit on or off
FLAME SPEED		Control Flame Speed. 5 Settings: (U1-U2-U3-U4-U5) The flame speeds up from U1 to U5, with U5 being the fastest setting.
DIMMER		Control Flame Brightness. 5 Settings: (F1-F2-F3-F4-F5) The flame dims from F1 to F5, with F5 being the brightest setting.
TIMER		Control the Timer. 8 Settings: (1h, 2h, 3h, 4h, 5h, 6h, 7h, 8h) Press the button until you reach the desired setting.
HEATER		Control the Heater. Press button to initiate the heater. (OF) no heater or blower. (LL)heater blows warm air(750W) (HH)heater blows hot air(1500W) NOTE: When the digital display shows 'OF', the heating in the electric fireplace will turn off. The fan in the electric fireplace will continue to operate for an additional 15 seconds before stopping.
LED Strip Lights		Control LED Strip Lights Color It has 12 colors: 1.red; 2.gentian blue; 3.green; 4.pink; 5.yellow; 6.cyan; 7.purple; 8.white; 9.saffron; 10.sky blue; 11.emerald green; 12. Capri blue; pressing to 13 enables the automatic light, and pressing to 0 is to turn off the light. NOTE: 1. Press once to change the flame color effect. 2. Press again until the desired setting is reached.

<p>COLOR A</p> 	<p>The carbon fire color change function:</p> <p>The electric fireplace has a carbon fire color change function. Every time press the flame color change key on the keypad or remote controller, the flame color changes in the order (1-2-3-4) once, and the digital tube corresponds to the flame color, (1=Orange-red, 2=Orange-red+Lemon-yellow, 3=Orange-red+Orange-yellow, 4=Orange-red+Lemon-yellow+Orange-yellow).</p> <p>NOTE: The mode of flame and log color has the power off or shutdown memory function, and the flame color is kept in the mode before power off or shutdown when the power is turned on after re-powering and shutdown</p>
<p>COLOR B</p> 	<p>Flame color change function :</p> <p>The electric fireplace has a flame color change function. Every time press the flame color change key on keypad or the remote controller, the buzzer will give a short sound, the flame color changes in the order (1-2-3-4-5-6-7-8-9-A-b-C) once, and the digital tube corresponds to the flame color code, (1=Orange-red, 2=Lemon-yellow, 3=Blue, 4=Orange-yellow, 5=Orange-red+Lemon-yellow, 6=Orange-red+Blue, 7=Blue+Orange-yellow, 8=Lemon-yellow+Blue, 9=Lemon-yellow+Orange-yellow+Blue, A=Orange-red+Blue+Orange-yellow, b=Orange-red+Lemon-yellow+Blue, C=Orange-red+Lemon-yellow+Blue+Orange-yellow).</p>

* When pressing the current key for the first time during intermittent operation, the current mode of the key function is confirmed without enabling the current key function, and the current key function is enabled only when the key is pressed a second time.

PRODUCT ASSEMBLY CARE AND MAINTENANCE

WARNING:

Do not move or remove the mesh trim panel, when the appliance is plugged in and operating. This will cause the remote control and touch panel to no longer function.

CAUTION

When transporting or storing the unit and cord, keep in a dry place free from excessive vibration, and store carefully to avoid damage.

CLEANING

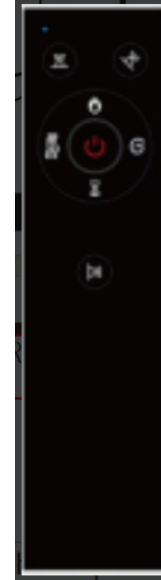
Before cleaning the unit, first turn off the POWER switch and unplug the unit from the power source.

- Dust the fireplace using a clean dry cloth.
- Use warm water and a clean cloth to wipe off any painted surfaces. Do not use abrasive cleaners.
- Use a standard glass cleaner for the glass panel of the fireplace.

REMOTE CONTROL SPECIFICATION

1. Model: Remote Control
2. Remote Key: 8
3. Communication: Infrared
4. Infrared Distance: 6 Meters
5. Battery: AAA x 2pcs

NOTE: Make sure your “AAA” batteries (x2) are fully charged and installed correctly in your remote control before operating. The remote control must remain within 6 meters of the appliance to be effective, this range may be reduced when battery power is depleted.



WARNING: DO NOT INGEST BATTERIES

1. Non-rechargeable batteries are not to be recharged.
2. Batteries are to be inserted with the correct polarity.
3. Exhausted batteries are to be removed from the product.
4. Always purchase the correct size and grade of battery most suitable for the intended use.
5. Replace all batteries of a set at the same time..
6. Clean the battery contacts and also those of the device prior to battery installation.
7. Remove batteries from equipment when not used for an extended period of time.



NOTE:

Battery disposal Please always dispose of batteries at a suitable recycling point.



NOTE:

Battery disposal
Please always dispose
of batteries at a
suitable
recycling point.



USING THE REMOTE CONTROL

⚠ WARNING:

Always disconnect from the power supply before cleaning the heater. First turn off the main power. Then remove the electrical plug from the wall outlet.

⚠ WARNING:

Do not use this fireplace insert if any part of it has been under water. Immediately call a qualified service technician to inspect the firebox and replace any part of the electrical system which has been underwater.

The blower motor and flame motor are pre-lubricated for a durable using time and need no further lubrication or maintenance. To remove any accumulation of dust or debris, the soft brush attachment of a vacuum cleaner should occasionally be used to clean the outlet grille of the fan heater.

1. Use a soft, clean cloth that will not scratch the surface when dusting.
2. Use a clean soft cloth dampened with warm water to clean the fireplace surface. Do not use household or abrasive cleaners, as these products may damage the surface.
3. When cleaning the glass viewing screen use a non-abrasive damp cloth with liquid cleaner or soft soap if necessary; Do not use cleaning powders or any other substance with abrasives since these substances will scratch glass.
4. Under no circumstances should this product be operated with a broken or chipped glass panel.
5. Do not strike or slam the glass.
6. In the event that your appliance is stained or otherwise damaged during use, we recommend that you call a professional to it.
7. When not in use please unplug the cord from the outlet to prevent any damage or accidents.

TROUBLESHOOTING

Problem	Solution
The unit does not turn on.	Check that the unit is fully plugged into a standard 120V outlet. Press the power button on the control panel
The unit is on, but there is no flame effect	Open the back panels to check if the flame spindle has fallen off from the spindle motor.
There is a visible flame effect, but the heater does not continue to blow warm air after repeatedly turning on the heater.	Turn on/off the heater button several times to make sure it is in the "ON" position.
The heater does not work, but the power and heater switches are in the "ON" position.	Turn all switches to the "OFF" position and unplug the unit from the wall outlet for 5 minutes. After 5 minutes plug the unit back into the wall outlet. and operate as normal. Make sure that no objects are blocking the air vents on the top and on the front of your fireplace.
Remote control is not working.	Change the remote battery. Operate remote transmitter at a slow measured pace. Press the remote control buttons with an even motion and gentle pressure. Repeatedly pressing buttons in rapid succession may cause the transmitter to malfunction. Stand closer to your fireplace. Remove objects that may block your remote control's ability to communicate with your fireplace.

HELP CENTER

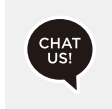
Question about your product? We're here to help. Visit us at:



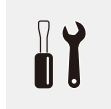
Chat Support



Product inquiry



Orders FAQ



Product Assembly



Returns & Refunds



fireplace-service@hotmail.com

WE STANDS BEHIND THE QUALITY OF THEIR FURNITURE

1. If you have any issues with your item please let us know! We will always do our best to come up with a solution that you will be happy with.
2. Please get in touch with our customer service team before returning the product.
3. And pls do not throw the original box(es) if you have not finished assembling or confirmed no quality issues.

Length of return period:

Items can be returned within 30 days of purchase.

In the meanwhile, everything you purchased from us comes with a one-year warranty.

Return Policy Instructions

1. Your item has a manufacturing defect in its materials or workmanship. For example, torn wicker or misaligned screw holes. We will send you a prepaid shipping label after photos are sent.
2. Your item has been damaged in transit. For example, glass is broken or wicker is damaged. We will send you a prepaid shipping label after photos are sent.
3. You receive the wrong box(es) due to a warehouse error. We will send you a prepaid shipping label after photos are sent of the wrong SKU numbers on the outer box(es).
4. One or more boxes are lost in transit. We will send you a prepaid shipping label if you no longer want the item.

* However, we still hope to work with you for a better solution instead of a return. Please don't hesitate to contact our customer service team

Return Request

To be eligible for a full refund as stated in our return policy, all items must meet the following criteria:

Condition: Items must be in new/unused condition. Please provide photos of the items both before and after packaging.

Packaging: All accessories and parts must be securely packed in their original packaging.

Refund Process

Refunds will be issued once the returned items have been received at our warehouse.

SAVE THESE INSTRUCTIONS

