

## NOTICE

\* Please make sure that you have all parts indicated and they are good condition before you begin assembly of this item. Refer to part list and hardware list below for guidance.

\* This item should be assembled on a soft surface to prevent scratching the finish during assembly.

\* This item may require periodic tightening.

\* If you are having difficulty, our friendly Customer Care team is always here to help. Please email

[customersupport@safavieh.com](mailto:customersupport@safavieh.com)

## PREPARATION

\* Before beginning assembly of product, make sure all parts are present. Compare parts with part contents list and hardware contents list.

\* If any part is missing or damaged, do not attempt to assemble the product.

\* Estimated Assembly Time : 10 minutes.

\* Tools Required for Assembly (included): Allen Key

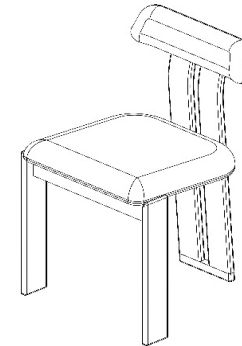
## CARE AND MAINTENANCE

**WOOD CARE:** Always use felt pads under -all articles to prevent discoloration or softening of the lacquer. Plastic and rubber bases on items can discolor wood. Wipe up spills - immediately and avoid common hazards such as hot dishes, harsh solvents and abrasives. Cleaning should be done with a soft lint free cotton cloth dampened with water should be done with a soft lint free cotton cloth dampened with water or furniture polish. On highly used surfaces we recommend applying a quality paste wax which should be used on a regular basis to - provide additional protection from scratches and spills. How often you apply the wax depends on how much wear the furniture receives.

 **SAFAVIEH**  
FURNITURE

ITEM ID: DCH8807

ITEM DIMENSION: 18.50"x 18.97" x 31.89"















Weight capacity: 275 Lbs

WARNING: DO NOT STAND ON CHAIR

WARNING: DO NOT OVER TORQUE BOLTS

## Part List and Hardware List

PIECE	DESCRIPTION	PICTURE	QTY	PIECE	DESCRIPTION	PICTURE	QTY	PIECE	DESCRIPTION	PICTURE	QTY
A	Front leg frame		1x	HW1	Bolt 6x0.5x60mm		2x	HW5	Cross nut M6 x 45mm		2x
B	Seat		1x	HW2	Bolt 6x0.5x40mm		6x	HW6	Cross nut M6 x 13mm		2x
C	Back leg frame		1x	HW3	Flat washer 2mm		6x	HW7	Screw 4 x 35 mm		5x
D	Side stretcher		2x	HW4	Split lock washer 2mm		6x	HW8	Allen key		1x

## PREPARATION

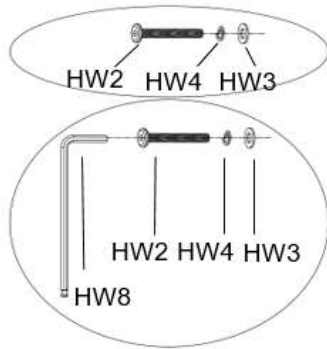
Before beginning assembly of product, make sure all parts are present. Compare parts with package contents list and hardware contents list.

If any part is missing or damaged, do not attempt to assemble the product.

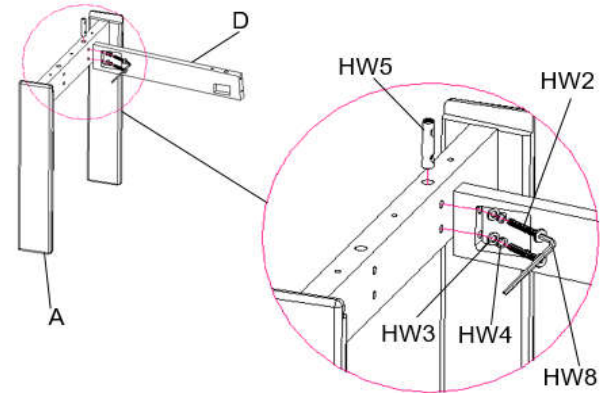
Estimated Assembly Time: 10 minutes.

Tools Required for Assembly (included): Allen Key

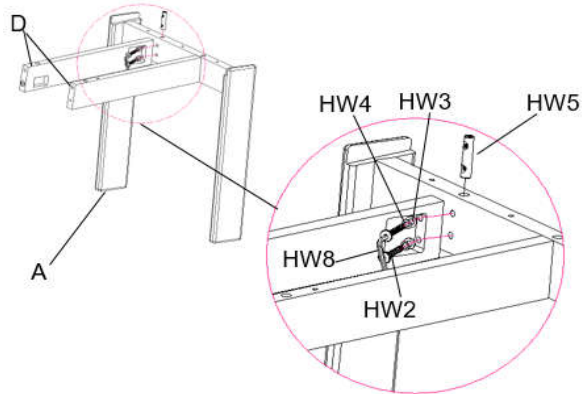
If you are having difficulty, our friendly Customer Care team is always here to help. Please email [customersupport@safavieh.com](mailto:customersupport@safavieh.com)



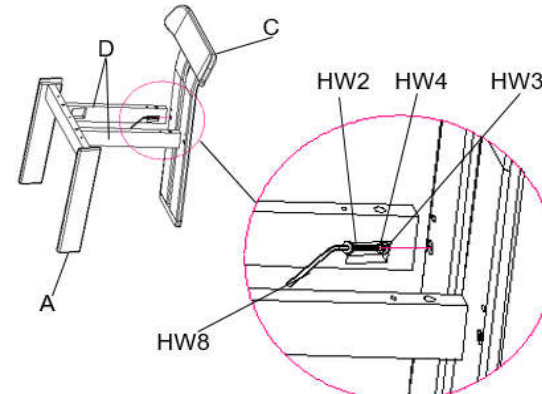
STEP 1: PUT THE WASHERS ON THE BOLT IN THE ORDER SHOWN IN THE PICTURE



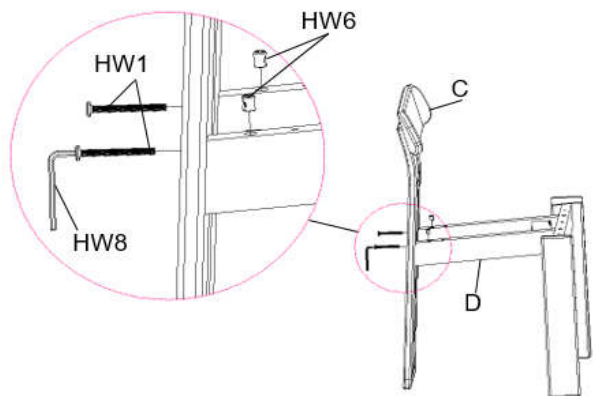
STEP 2: INSERT THE FRONT LEGS FRAME (A) AND THE FIRST SIDE STRETCHER (D) IN THE BOLTS BUT **DON'T** TIGHTEN COMPLETELY



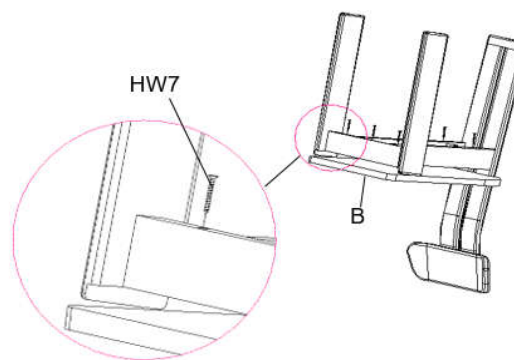
STEP 3: INSERT THE FRONT LEGS FRAME (A) AND THE SECOND SIDE STRETCHER (D) IN THE BOLTS BUT **DON'T** TIGHTEN COMPLETELY



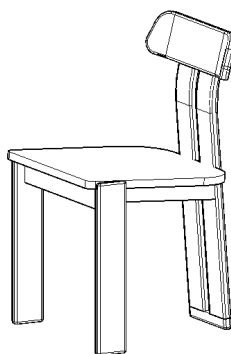
STEP 4: INSERT THE BACK LEGS © AND THE FRONT LEG FRAME (A) IN THE BOLTS BUT **DON'T** TIGHTEN COMPLETELY



STEP 5: INSERT THE BACK LEGS (C) IN THE BOLTS BUT **DON'T** TIGHTEN COMPLETELY



STEP 6: INSERT THE SEAT (B) AND CHAIR FRAME IN THE SCREWS BUT **DON'T** TIGHTEN COMPLETELY



STEP 7: PUT THE CHAIR UPRIGHT AND MAKE SURE ALL LEGS ARE LEVEL, THEN FIRMLY TIGHTEN BOLTS WITH ALLEN KEY WHILE THE CHAIR IS UPRIGHT AS PICTURED ABOVE