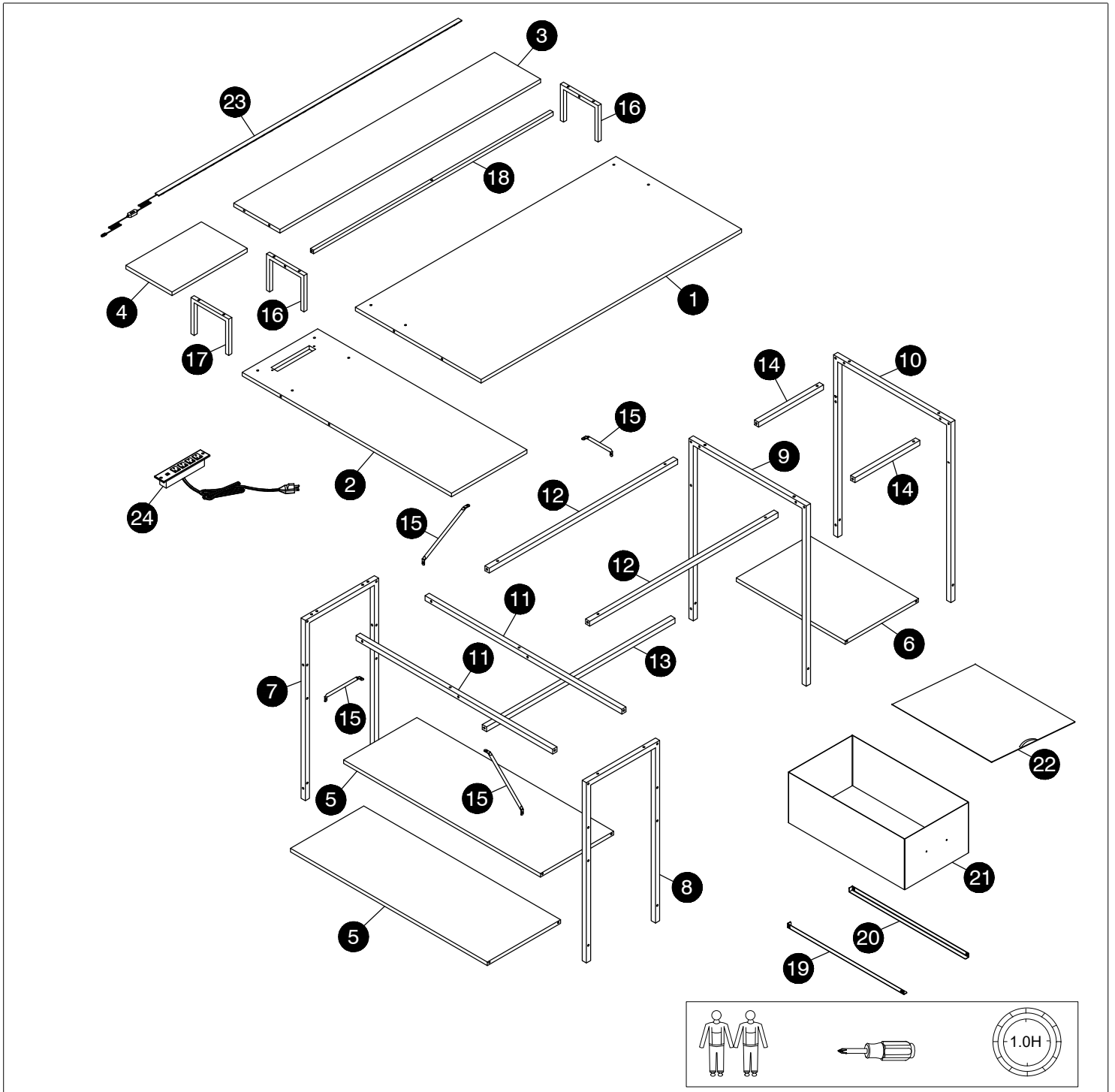




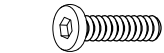

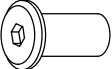





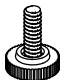

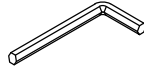


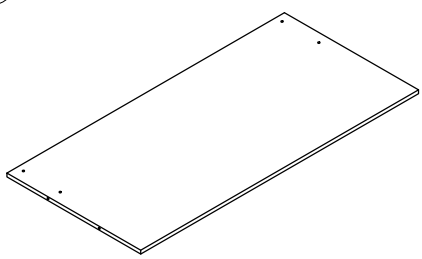
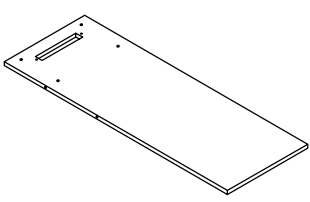
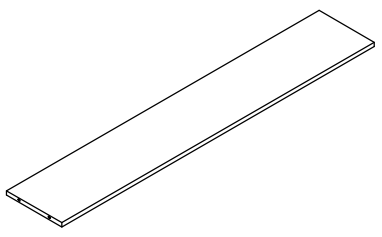
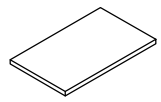
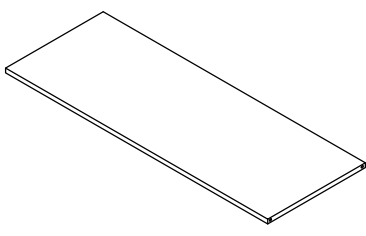
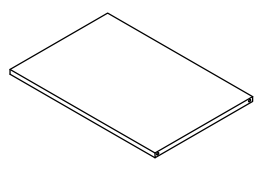
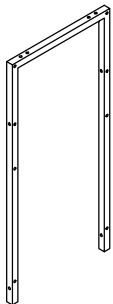
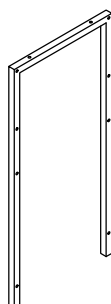
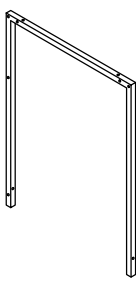
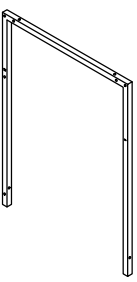
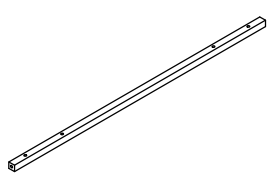
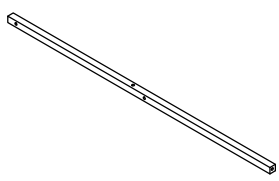
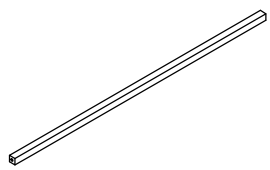
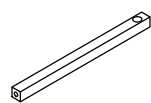

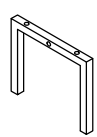
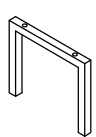
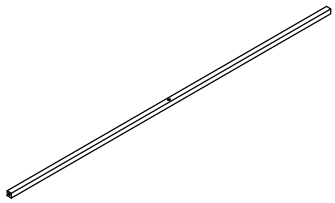
GAUTION:When tightening the screws,tighten sequentially.
Do not tighten any screws fully and then towards the next one.
When every part is OK,then tighten all the screws.

ASSEMBLY INSTRUCTION



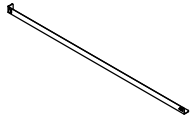
A	x 12+1	B	x 1+1	C	x 16+1	D	x 17+1	E	x 7+1	F	x 12+1
											
Ø6 x 48mm		M6 x 50mm		M6 x 35mm		M6 x 30mm		M6 x 25mm		M6 x 12mm	
G	x 4+1	H	x 2+1	I	x 2+1	J	x 4+1	K	x 1	L	x 1
											
M6		M4 x 8mm		Ø3 x 12mm		Ø8 x 40mm				S4	
M	x 8	N	x 2	O	x 1						
											
Ø20 x M6 x 15mm				S4							

ASSEMBLY INSTRUCTION

<p>①</p>  <p>x 1</p>	<p>②</p>  <p>x 1</p>	<p>③</p>  <p>x 1</p>
<p>④</p>  <p>x 1</p>	<p>⑤</p>  <p>x 2</p>	<p>⑥</p>  <p>x 1</p>
<p>⑦</p>  <p>x 1</p>	<p>⑧</p>  <p>x 1</p>	<p>⑨</p>  <p>x 1</p>
<p>⑩</p>  <p>x 1</p>	<p>⑪</p>  <p>x 2</p>	<p>⑫</p>  <p>x 2</p>
<p>⑬</p>  <p>x 1</p>	<p>⑭</p>  <p>x 2</p>	<p>⑮</p>  <p>x 4</p>
<p>⑯</p>  <p>x 2</p>	<p>⑰</p>  <p>x 1</p>	<p>⑱</p>  <p>x 1</p>

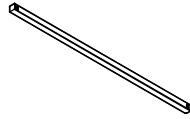
ASSEMBLY INSTRUCTION

19



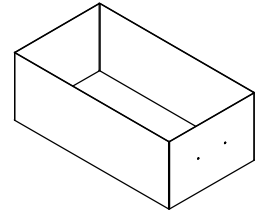
x 1

20



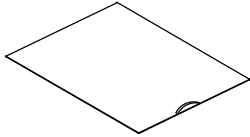
x 1

21



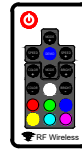
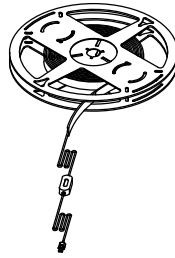
x 1

22



x 1

23



x 1

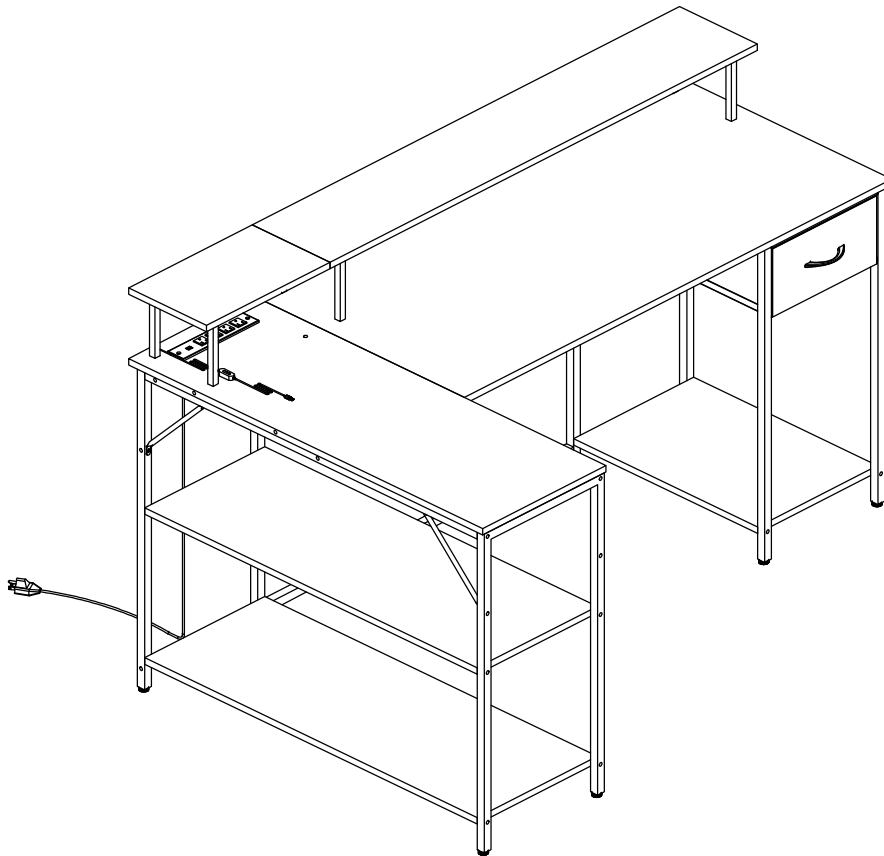
24



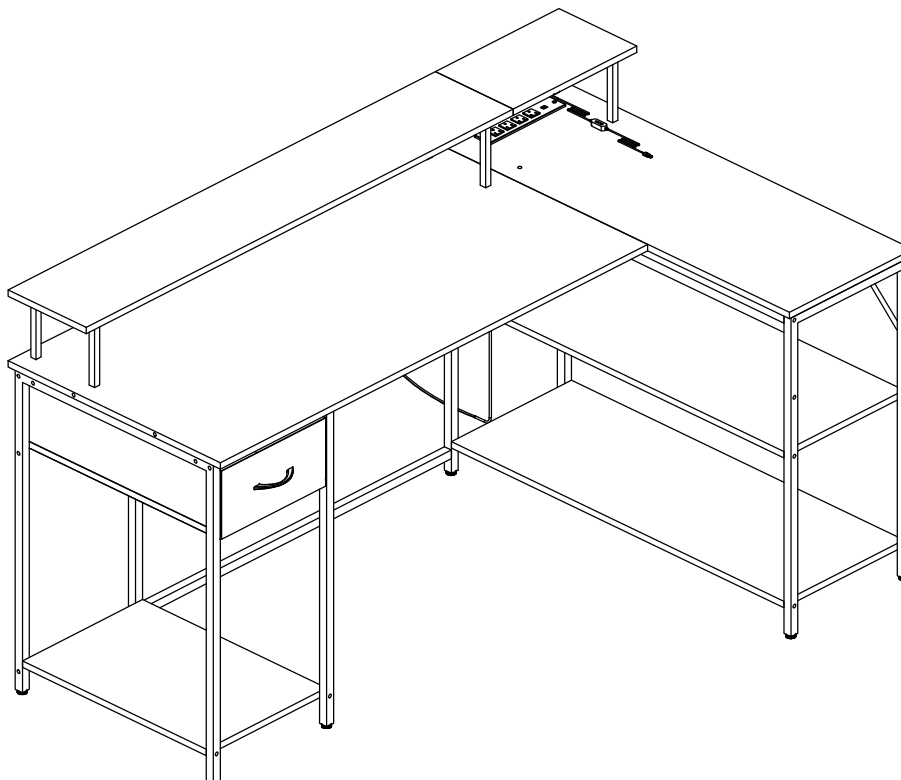
x 1

There are 2 ways to install this table, each with different steps.
Please choose one type and follow its unique assembly method.

Type 1: Please refer to Step 1~ Step 18 .

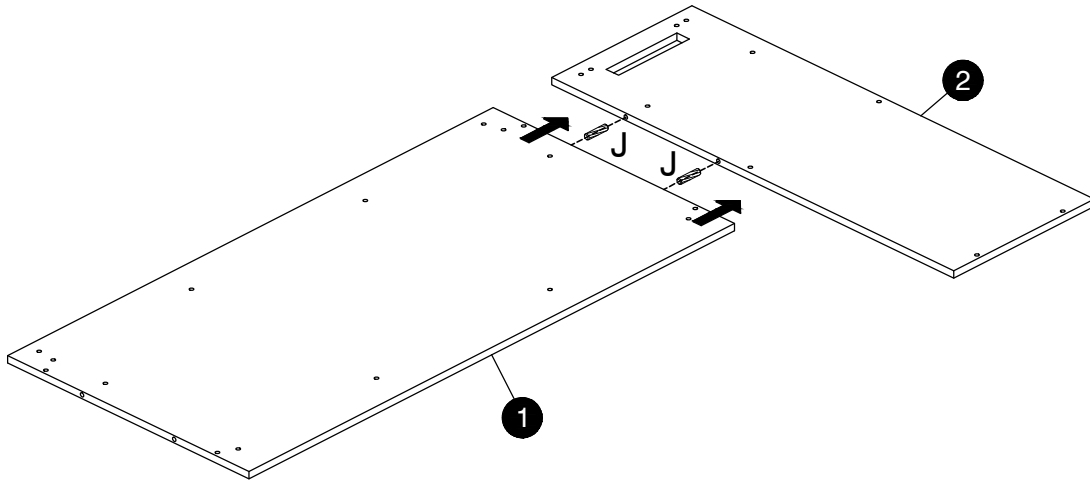


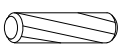
Type 2: Please refer to Step 19 ~ Step 36.



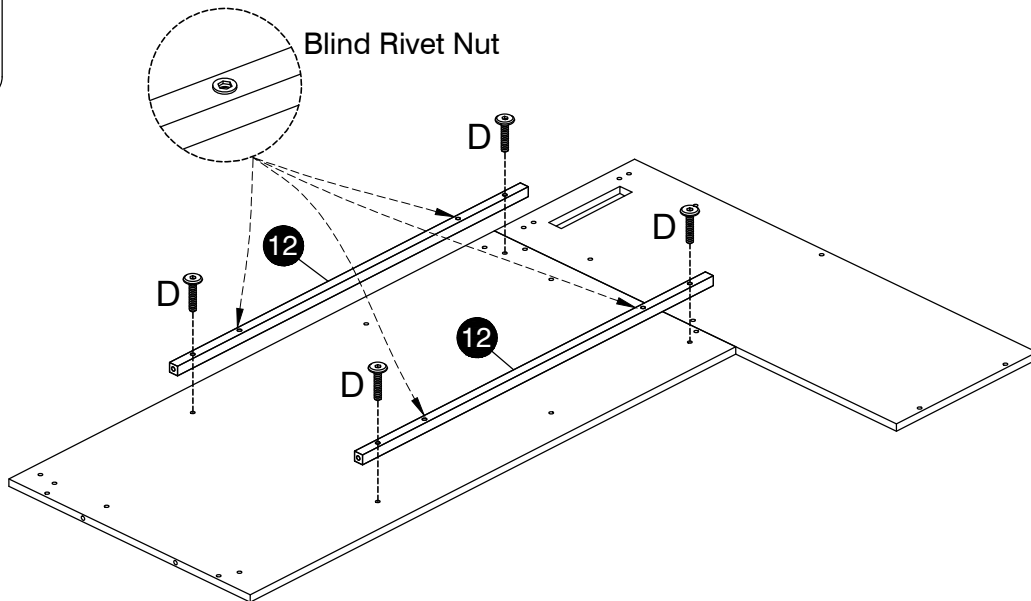
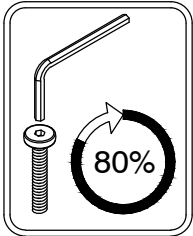
ASSEMBLY INSTRUCTION



STEP 1



J	x 2
	
Ø8 x 40mm	

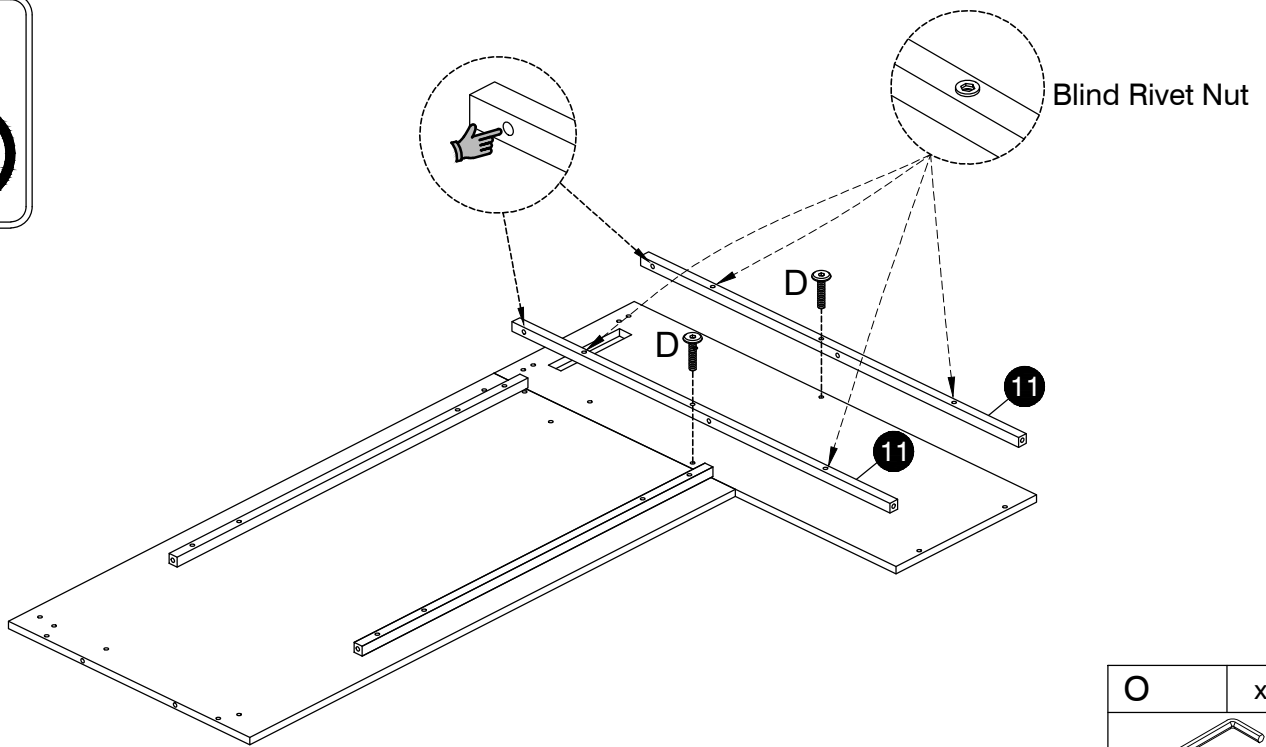
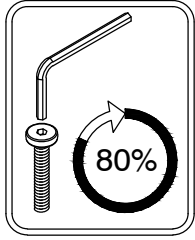
STEP 2



L	x 1
	
S4	
D	x 4
	
M6 x 30mm	

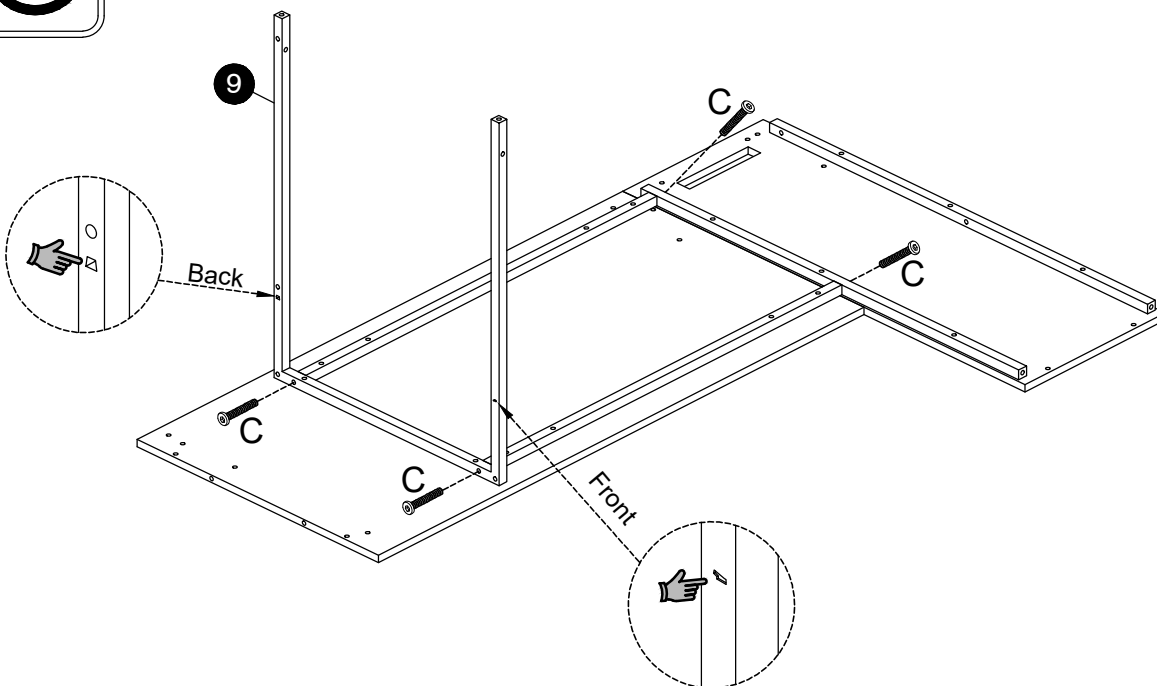
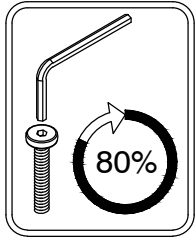
ASSEMBLY INSTRUCTION

STEP 3



O	x 1
S4	
D	x 2
M6 x 30mm	

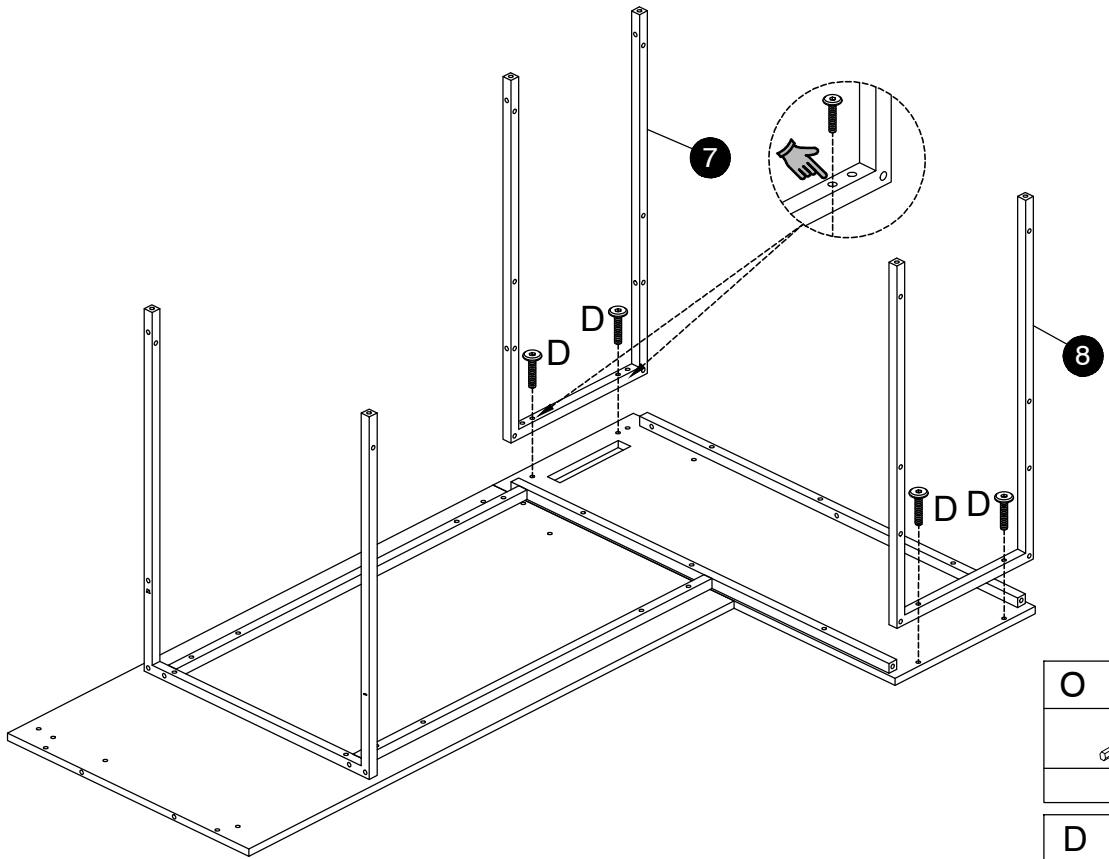
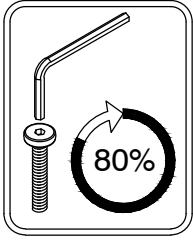
STEP 4



O	x 1
S4	
C	x 4
M6 x 35mm	

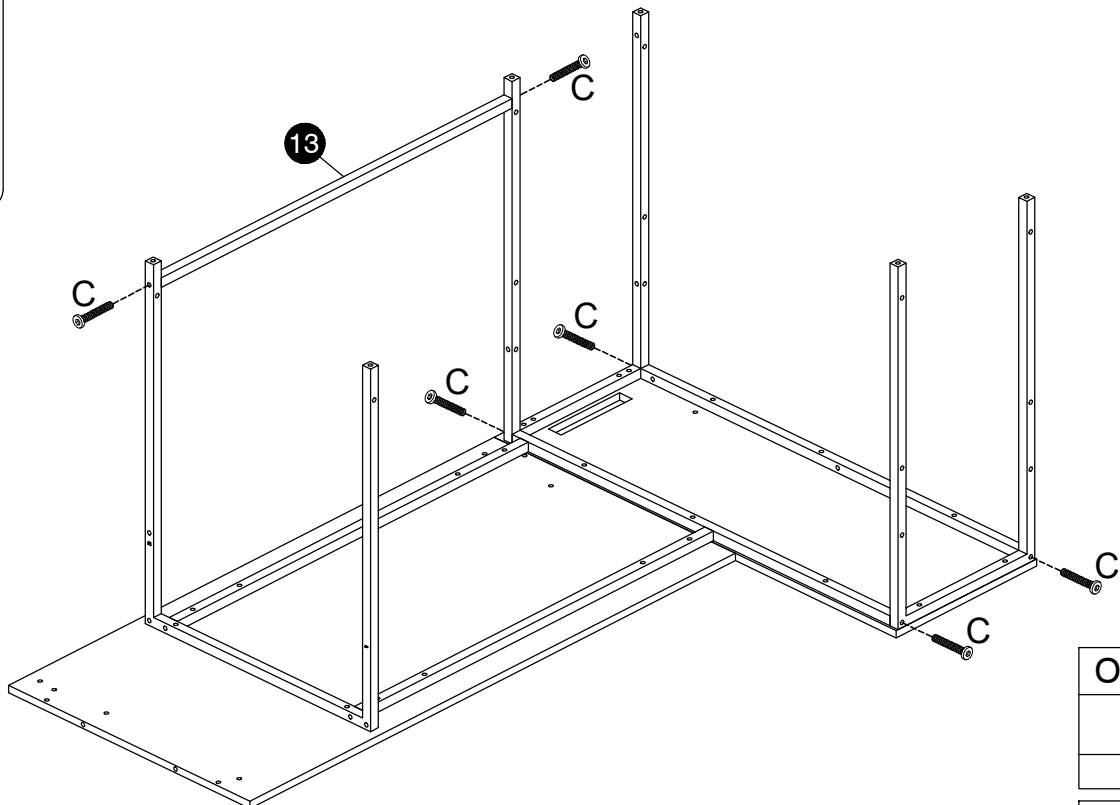
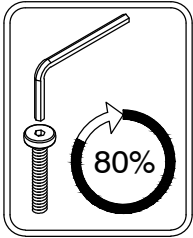
ASSEMBLY INSTRUCTION

STEP 5



O	x 1
S4	
D	x 4
M6 x 30mm	

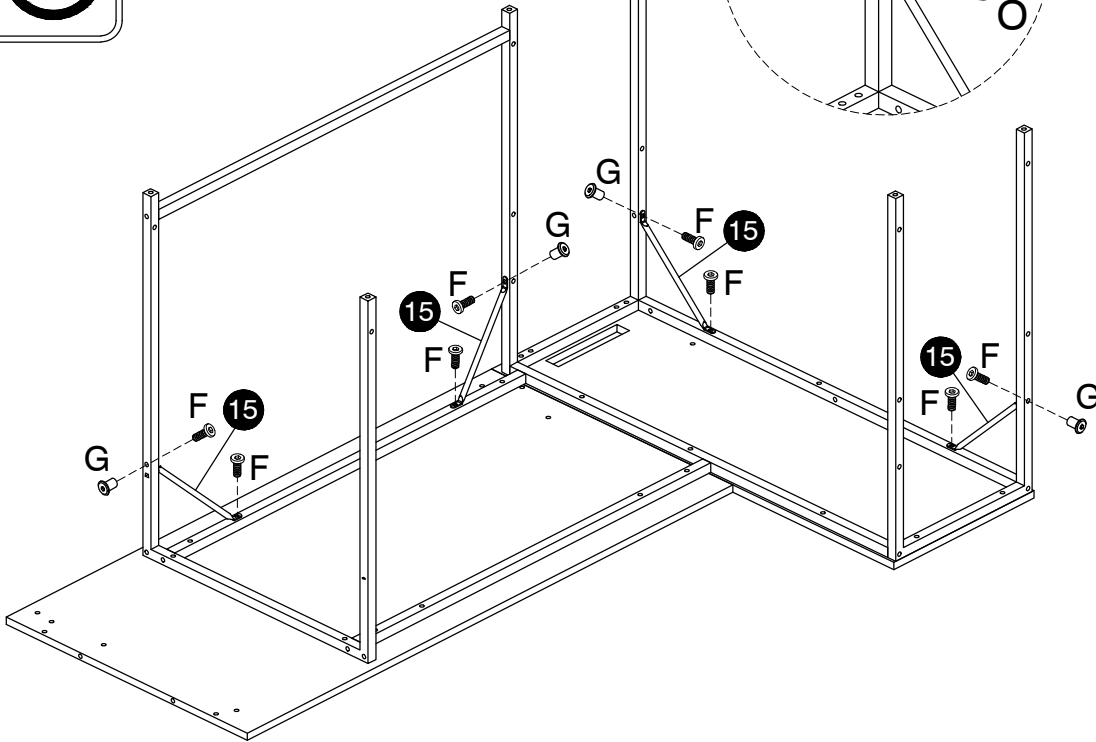
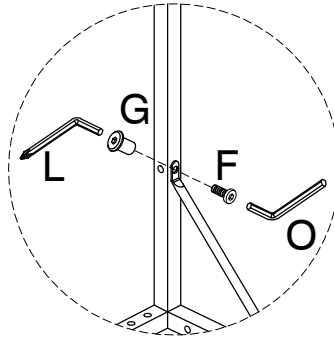
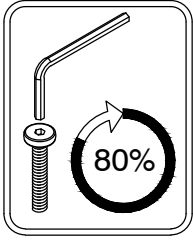
STEP 6



O	x 1
S4	
C	x 6
M6 x 35mm	

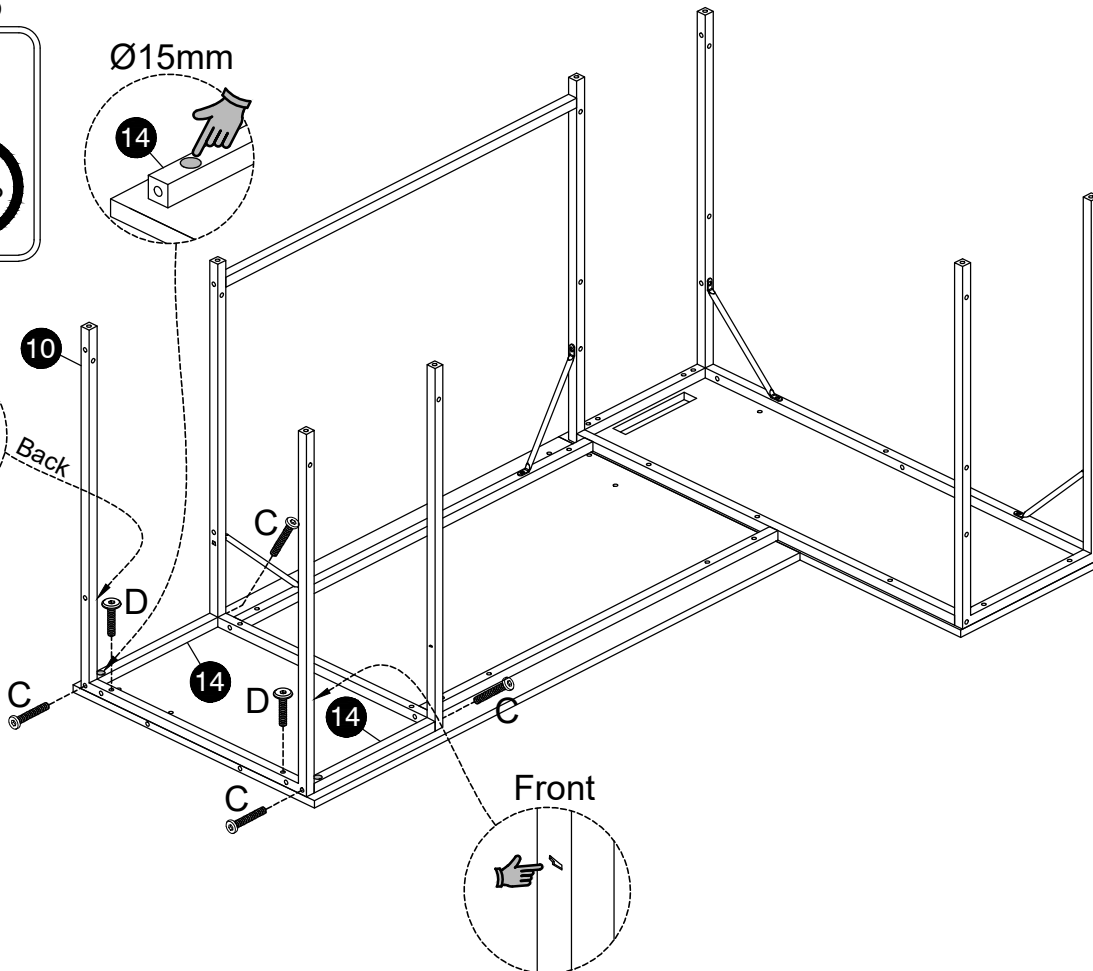
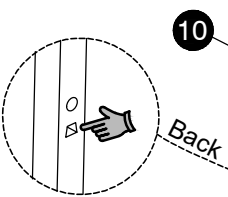
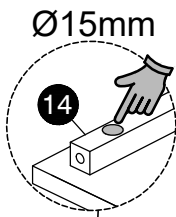
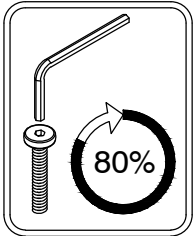
ASSEMBLY INSTRUCTION

STEP 7



L	x 1
S4	
O	x 1
S4	
F	x 8
M6 x 12mm	
G	x 4
M6	

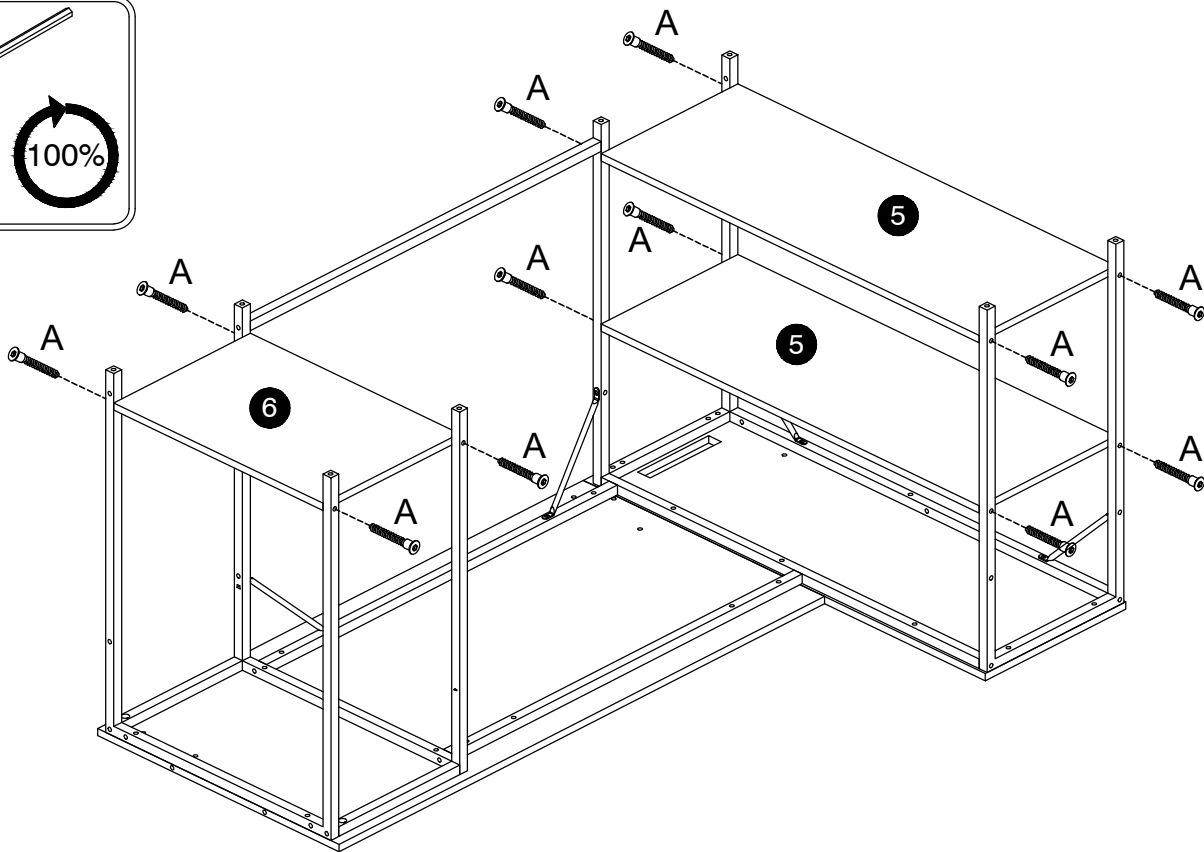
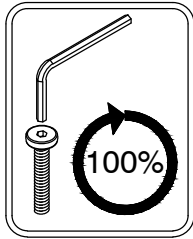
STEP 8



O	x 1
S4	
C	x 4
M6 x 35mm	
D	x 2
M6 x 30mm	

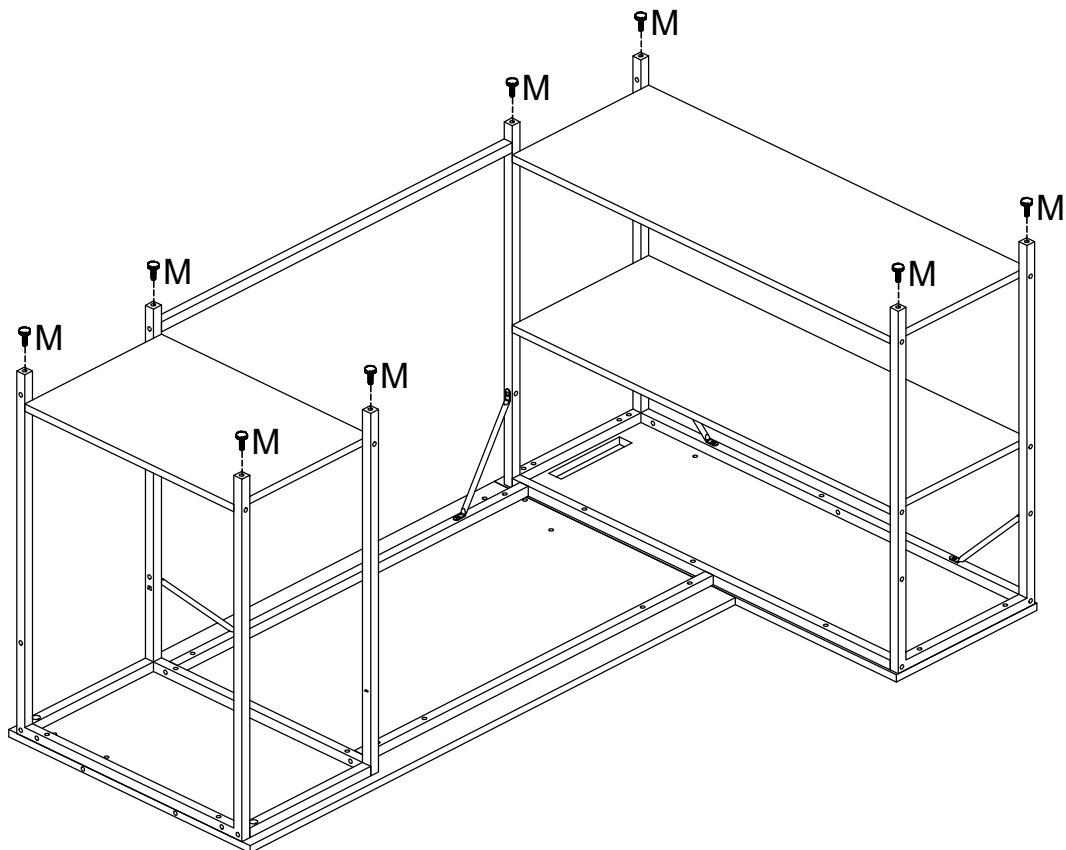
ASSEMBLY INSTRUCTION

STEP 9



O	x 1
S4	
A	x 12
Ø6 x 48mm	

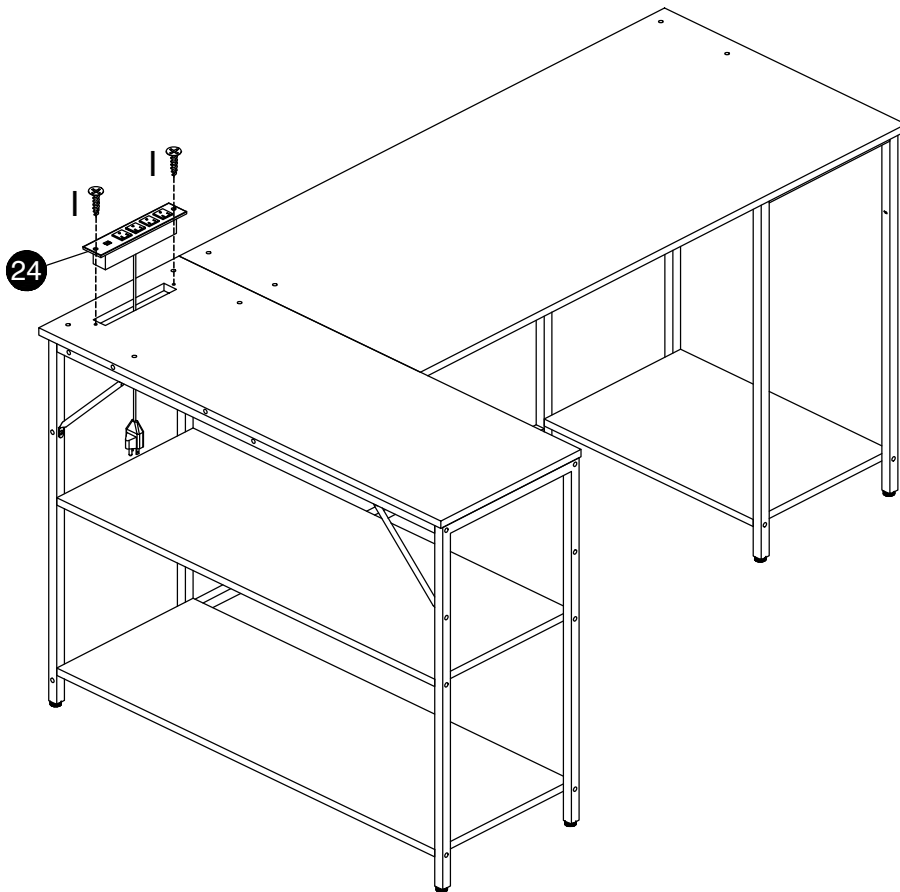
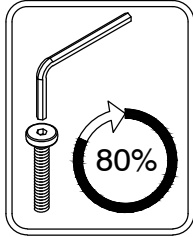
STEP 10



M	x 8
Ø20 x M6 x 15mm	

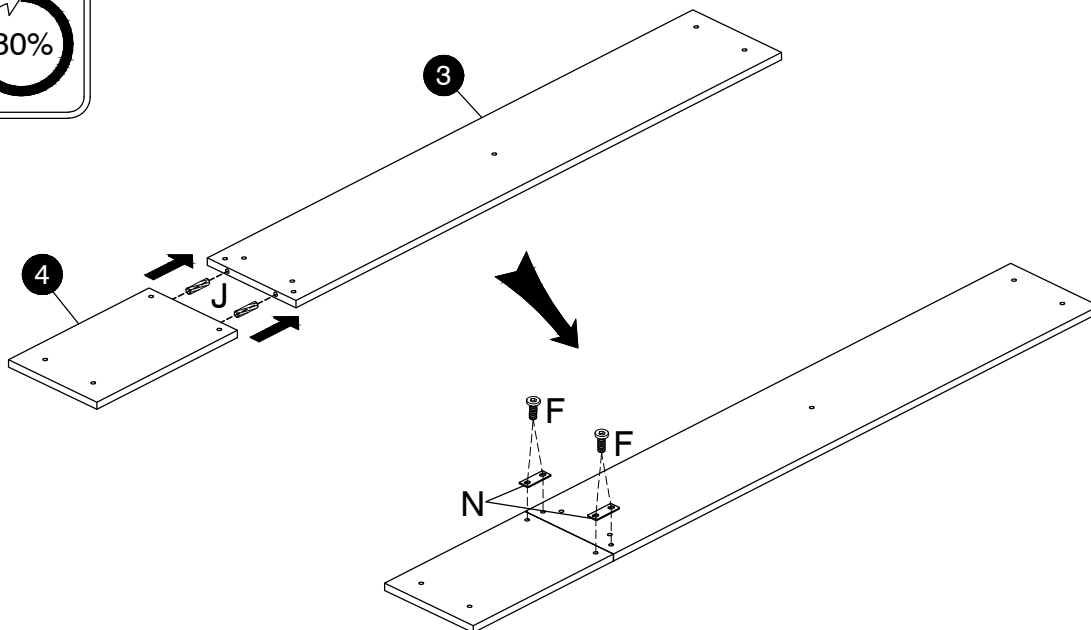
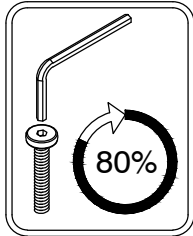
ASSEMBLY INSTRUCTION

STEP 11



L	x 1
S4	
I	x 2
Ø3 x 12mm	

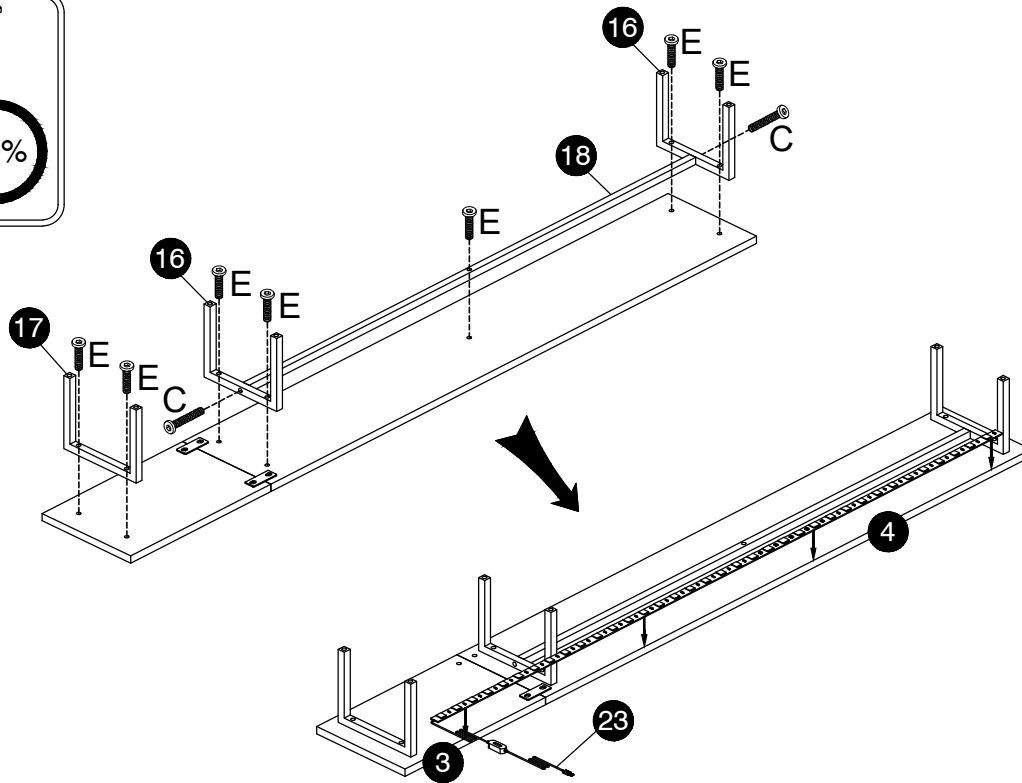
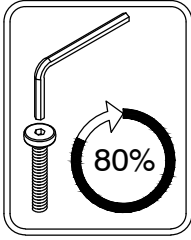
STEP 12



J	x 2
Ø8 x 40mm	
O	x 1
S4	
F	x 4
M6 x 12mm	
N	x 2

ASSEMBLY INSTRUCTION

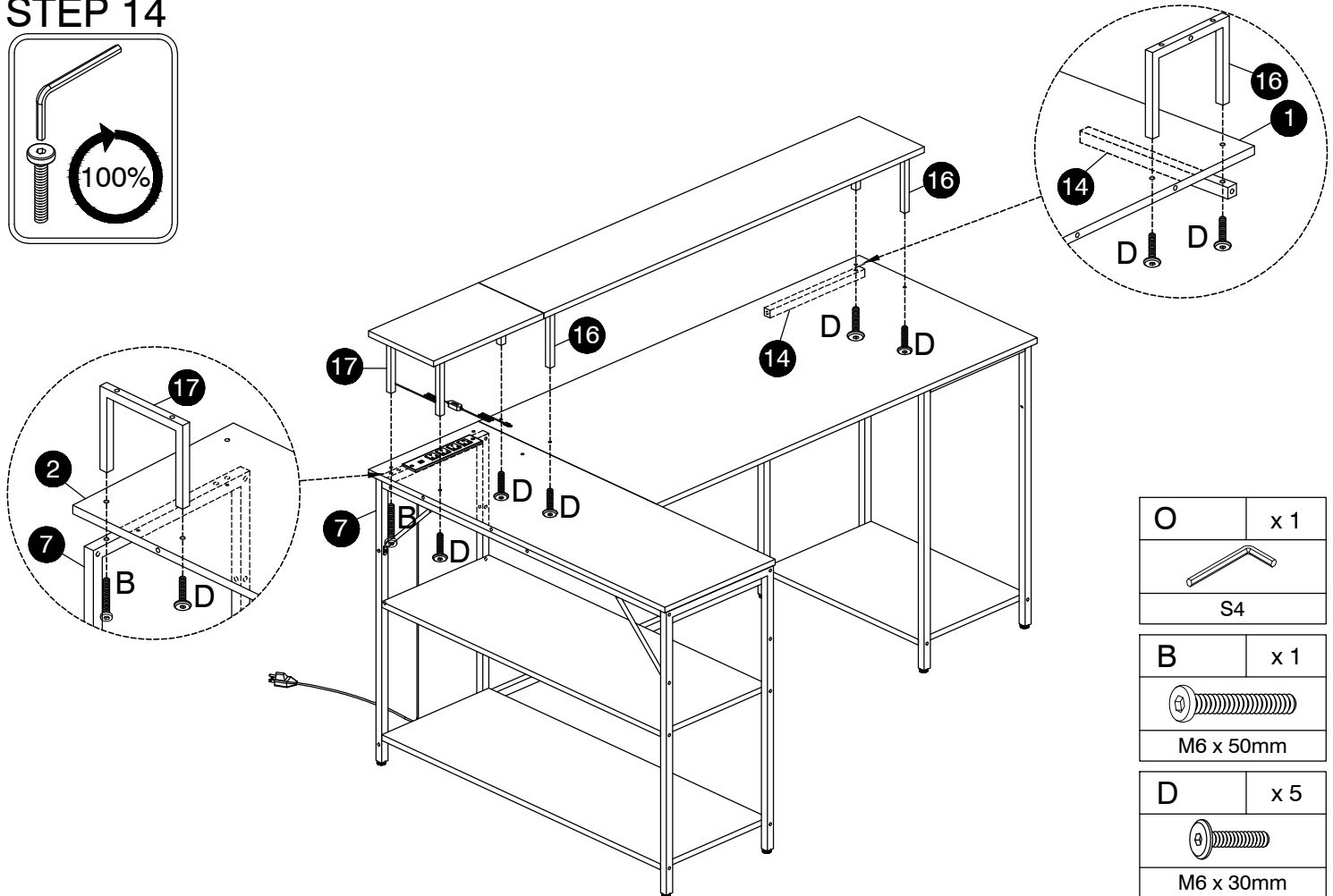
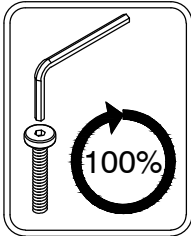
STEP 13



NOTE: Tear off the film and stick the light belt to the edge of board ③ & ④ tightly.

O	x 1
S4	
C	x 2
M6 x 35mm	
E	x 7
M6 x 25mm	

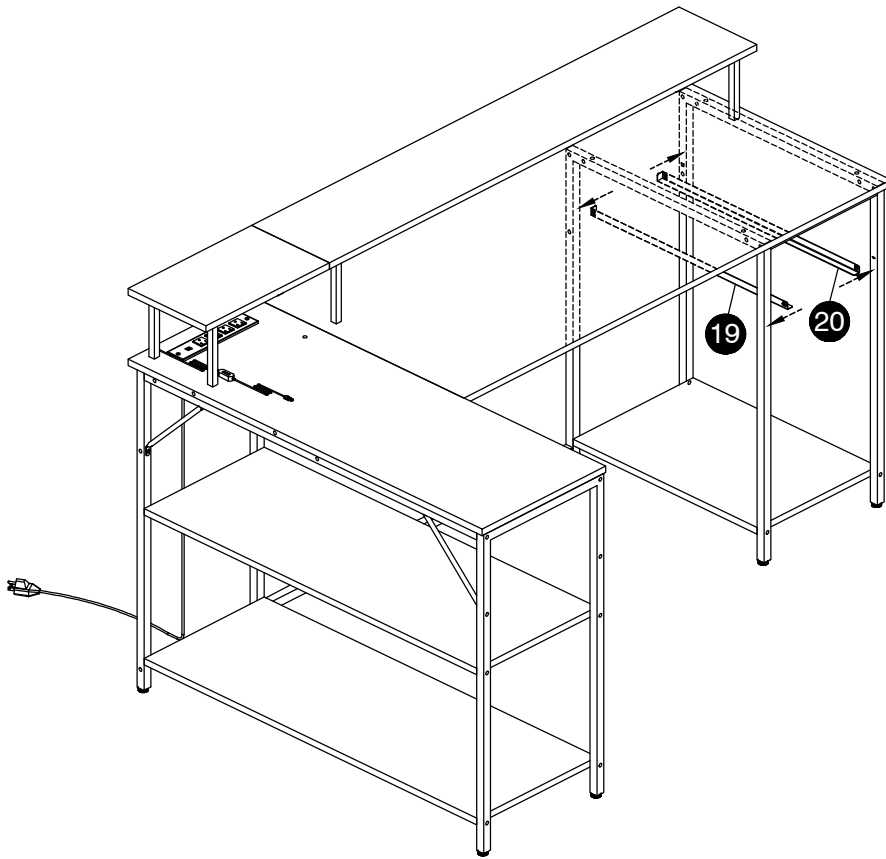
STEP 14



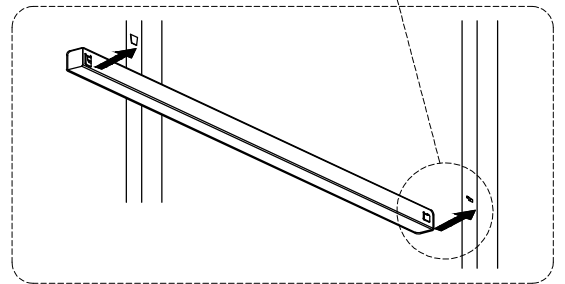
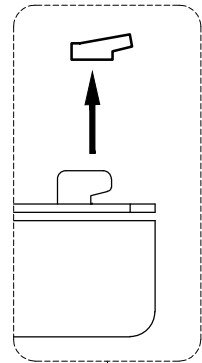
O	x 1
S4	
B	x 1
M6 x 50mm	
D	x 5
M6 x 30mm	

ASSEMBLY INSTRUCTION

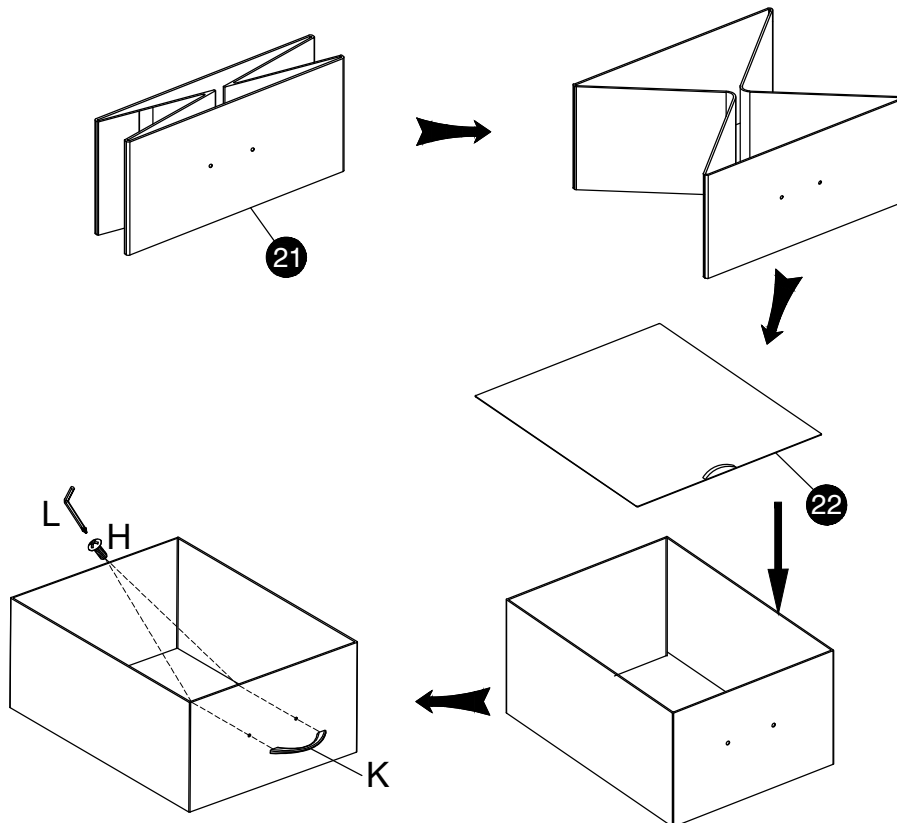
STEP 15

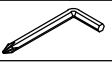




Note: First-in for installation, last-out for disassembly.



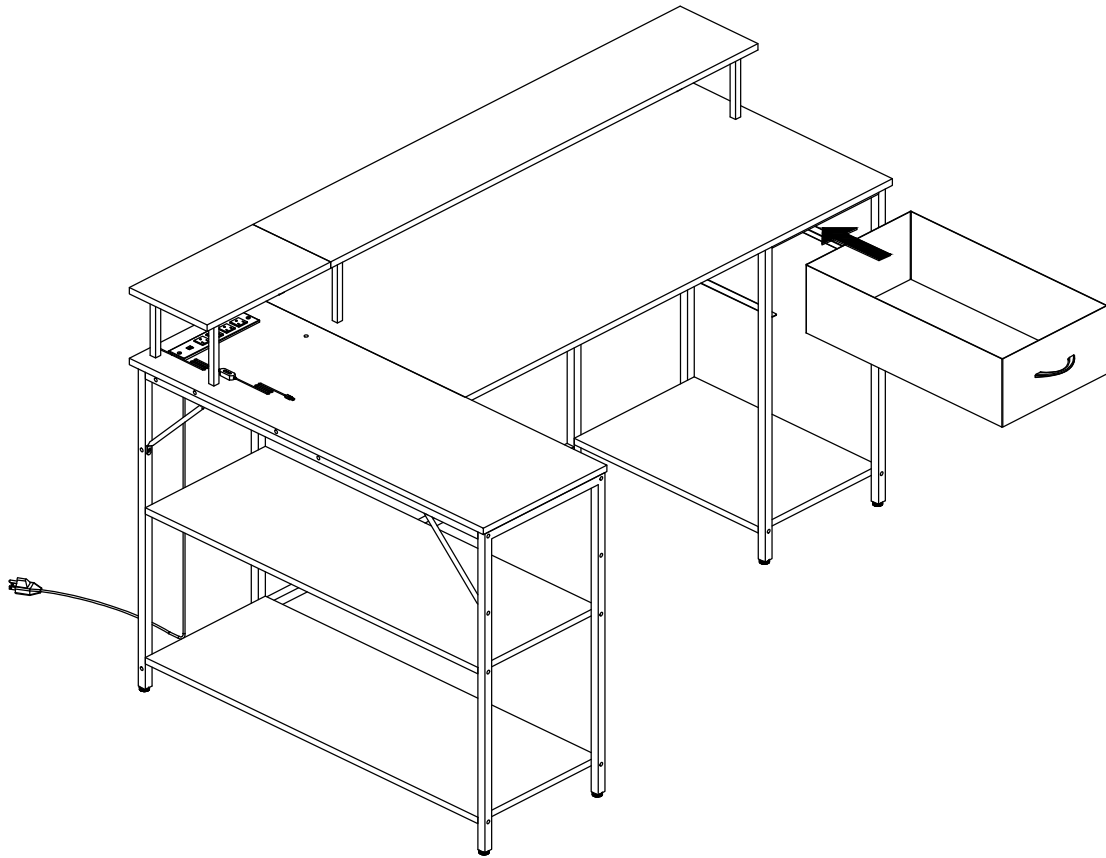
STEP 16



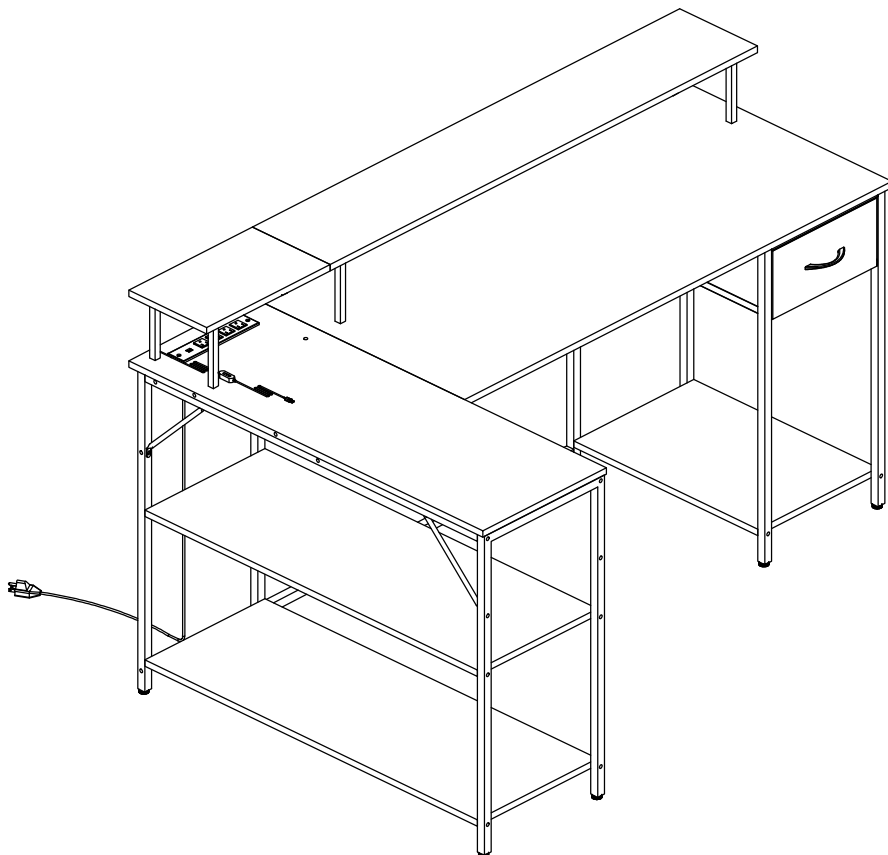
L	x 1
	
S4	
H	x 2
	
M4 x 8mm	
K	x 1
	

ASSEMBLY INSTRUCTION

STEP 17

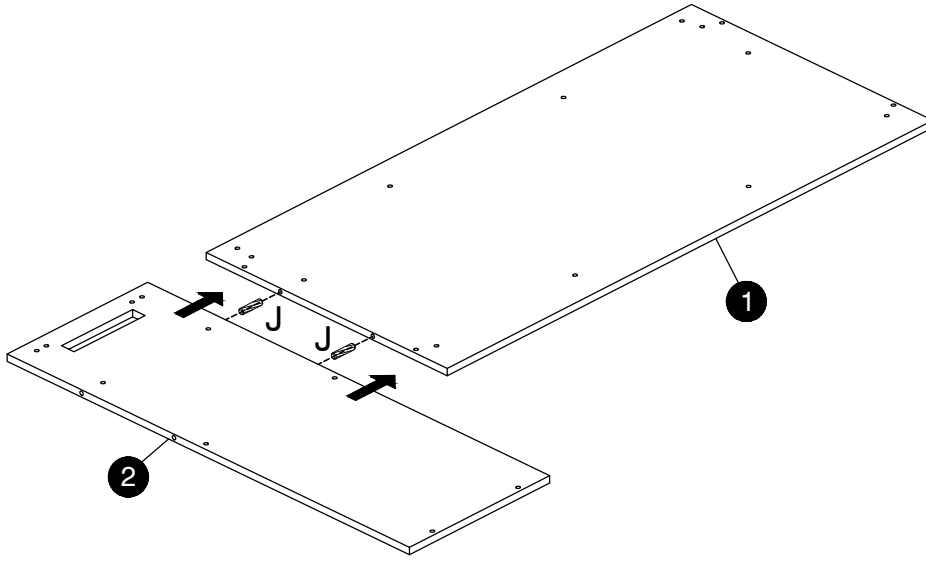


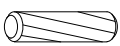
STEP 18



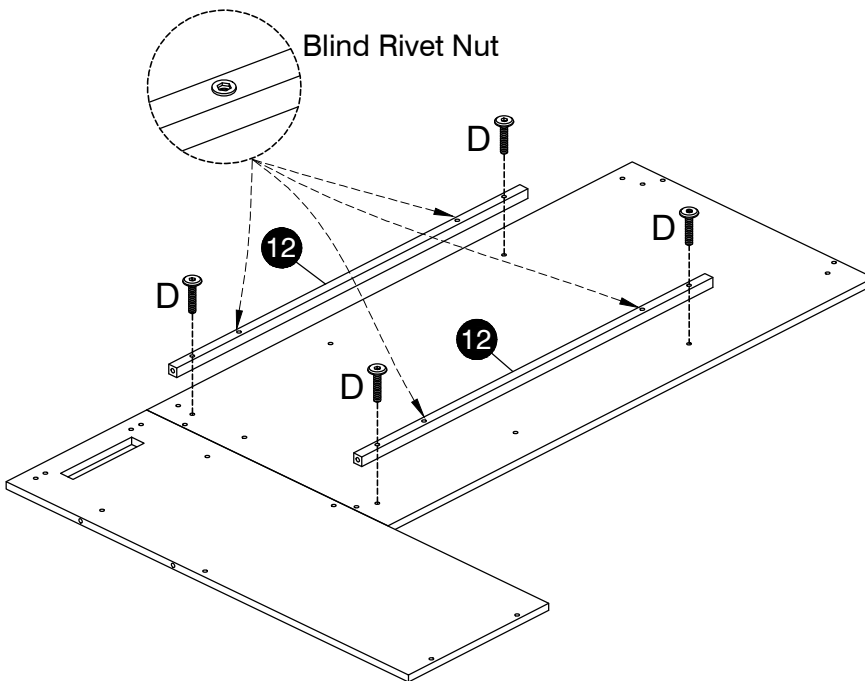
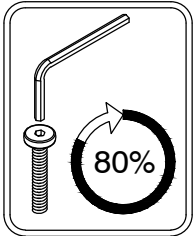
ASSEMBLY INSTRUCTION

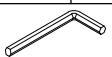
STEP 19




J	x 2
	
Ø8 x 40mm	

STEP 20

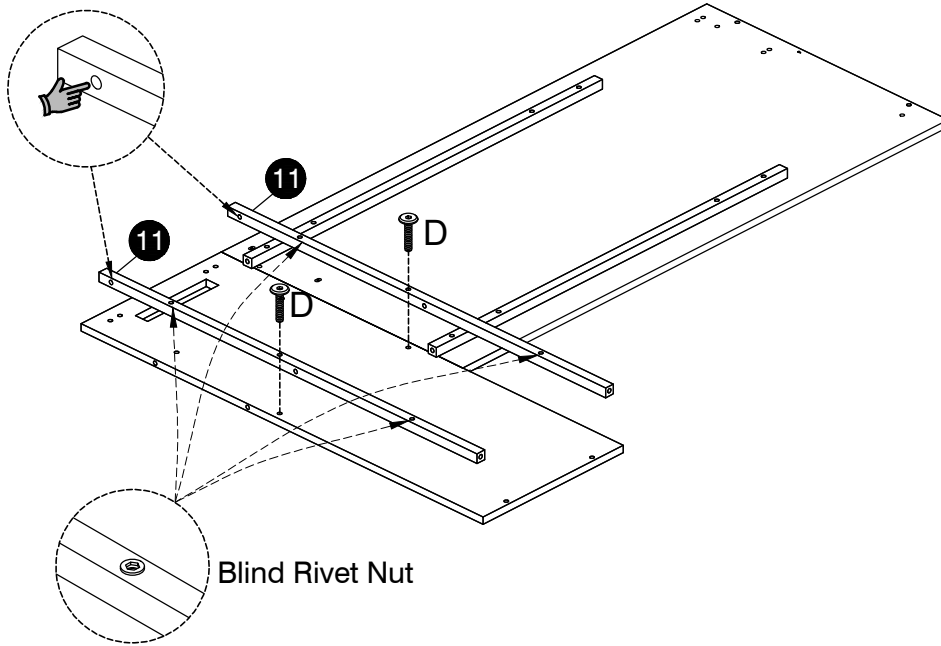
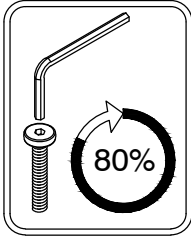


O	x 1
	
S4	

D	x 4
	
M6 x 30mm	

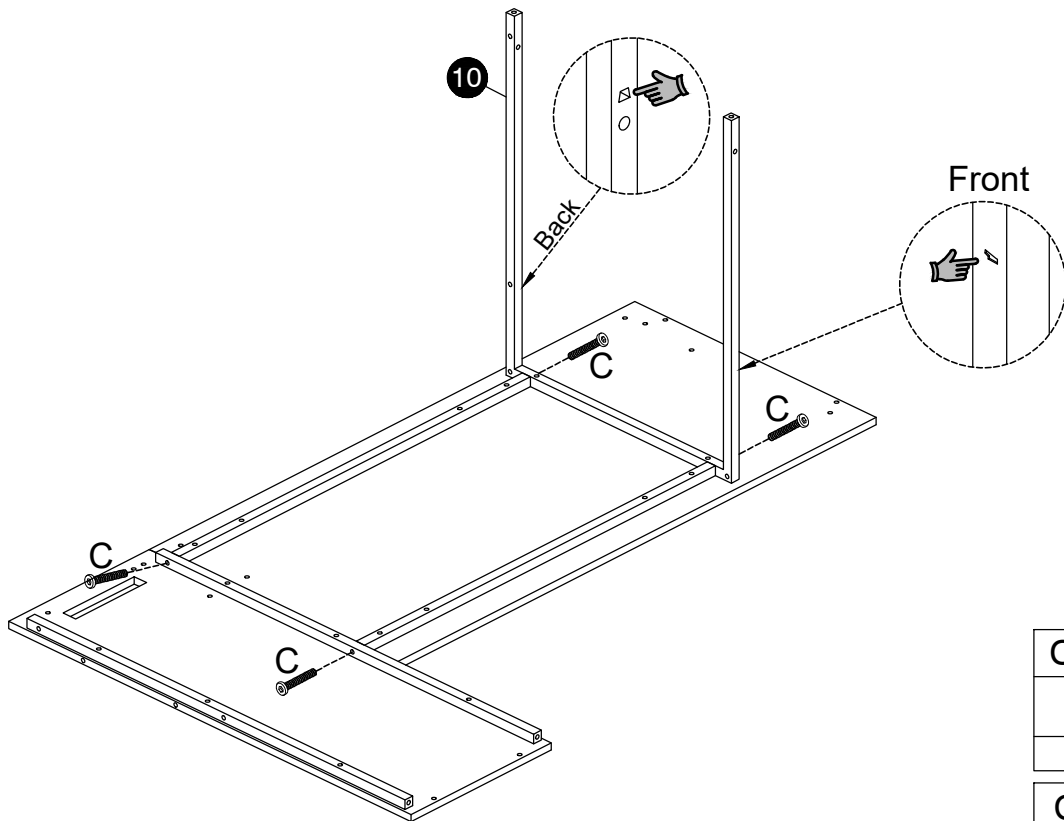
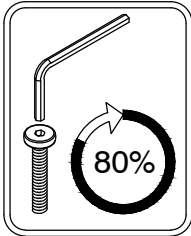
ASSEMBLY INSTRUCTION

STEP 21



O	x 1
S4	
D	x 2
M6 x 30mm	

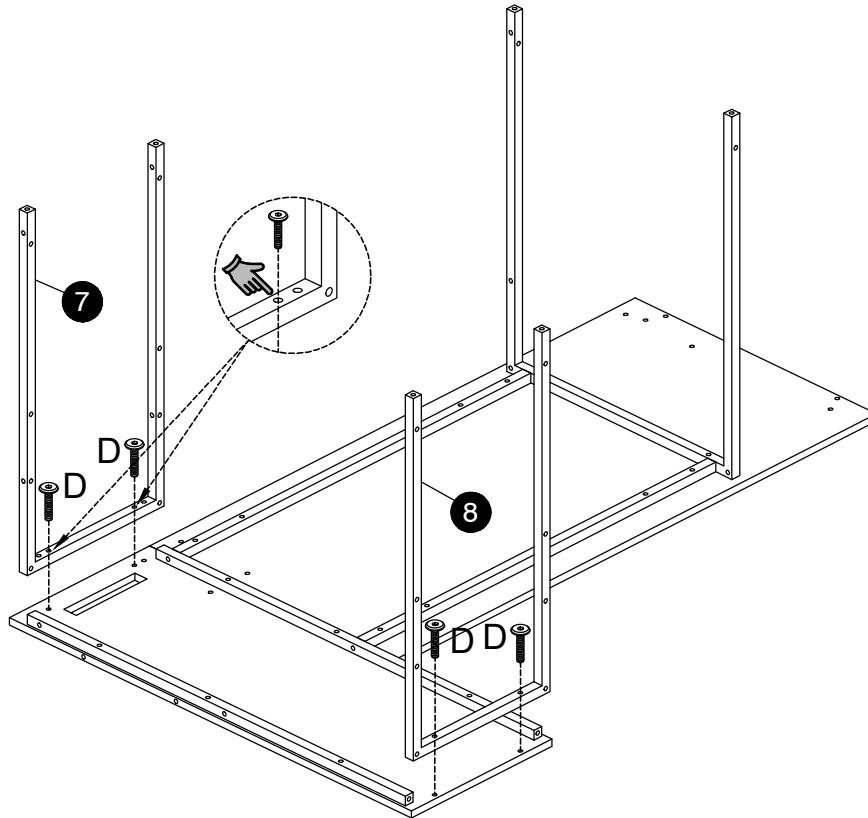
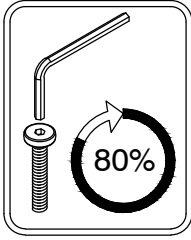
STEP 22





O	x 1
S4	
C	x 4
M6 x 35mm	

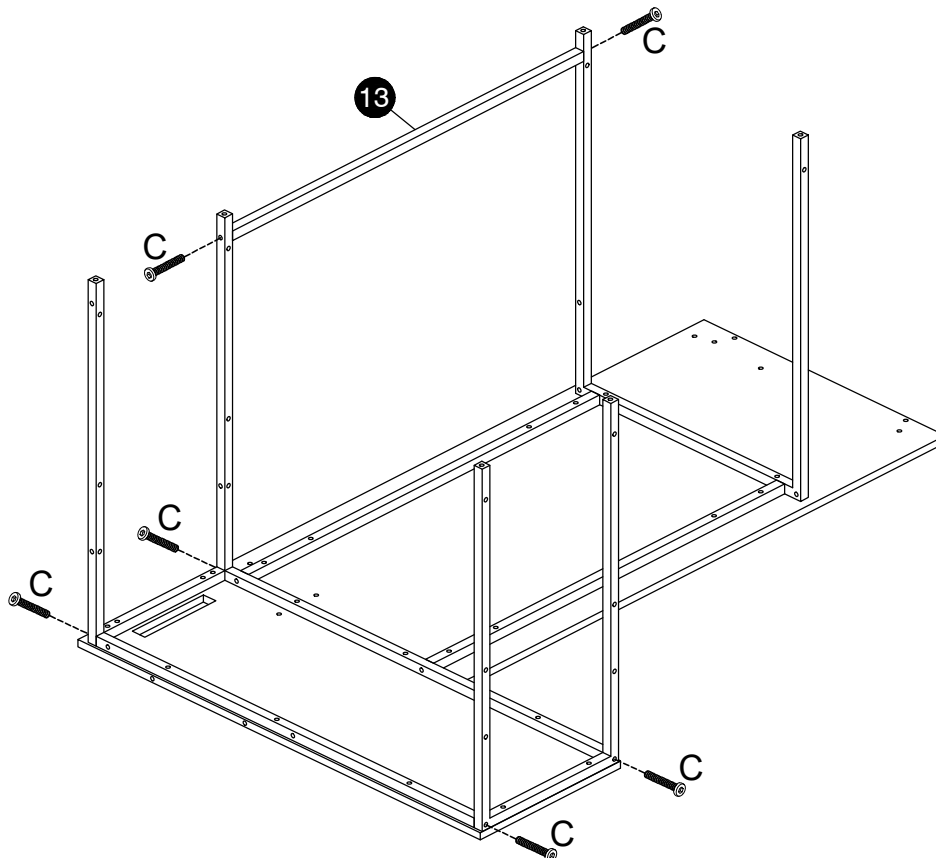
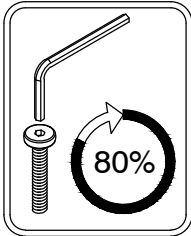
ASSEMBLY INSTRUCTION



STEP 23



O	x 1
	
S4	
D	x 4
	
M6 x 30mm	

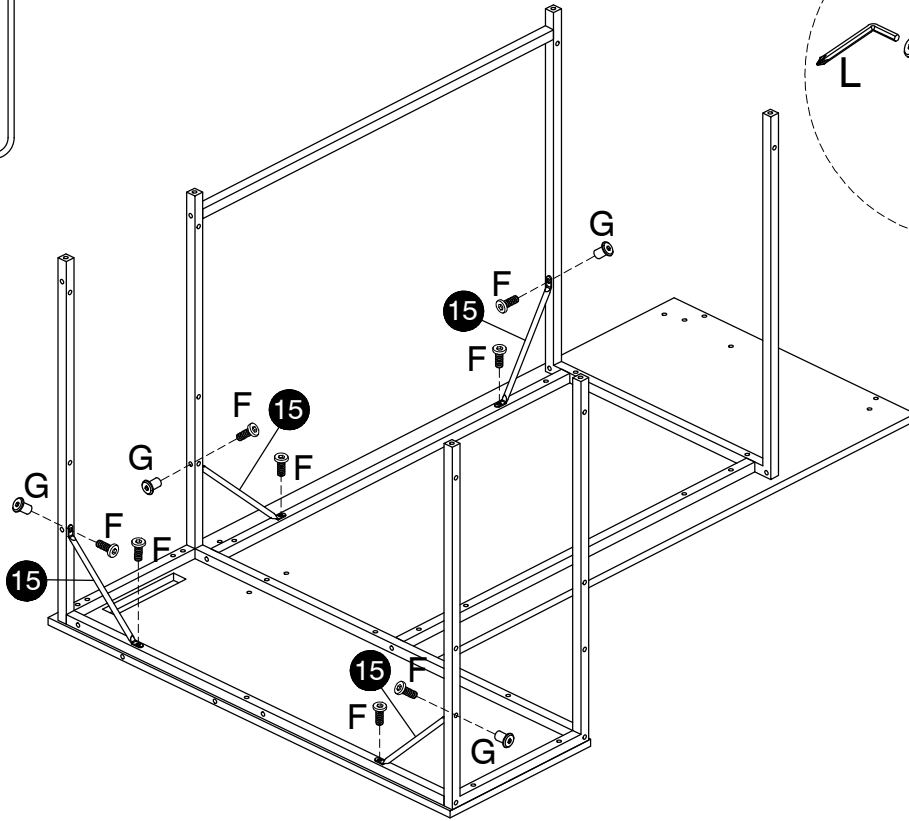
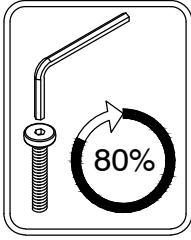
STEP 24



O	x 1
	
S4	
C	x 6
	
M6 x 35mm	

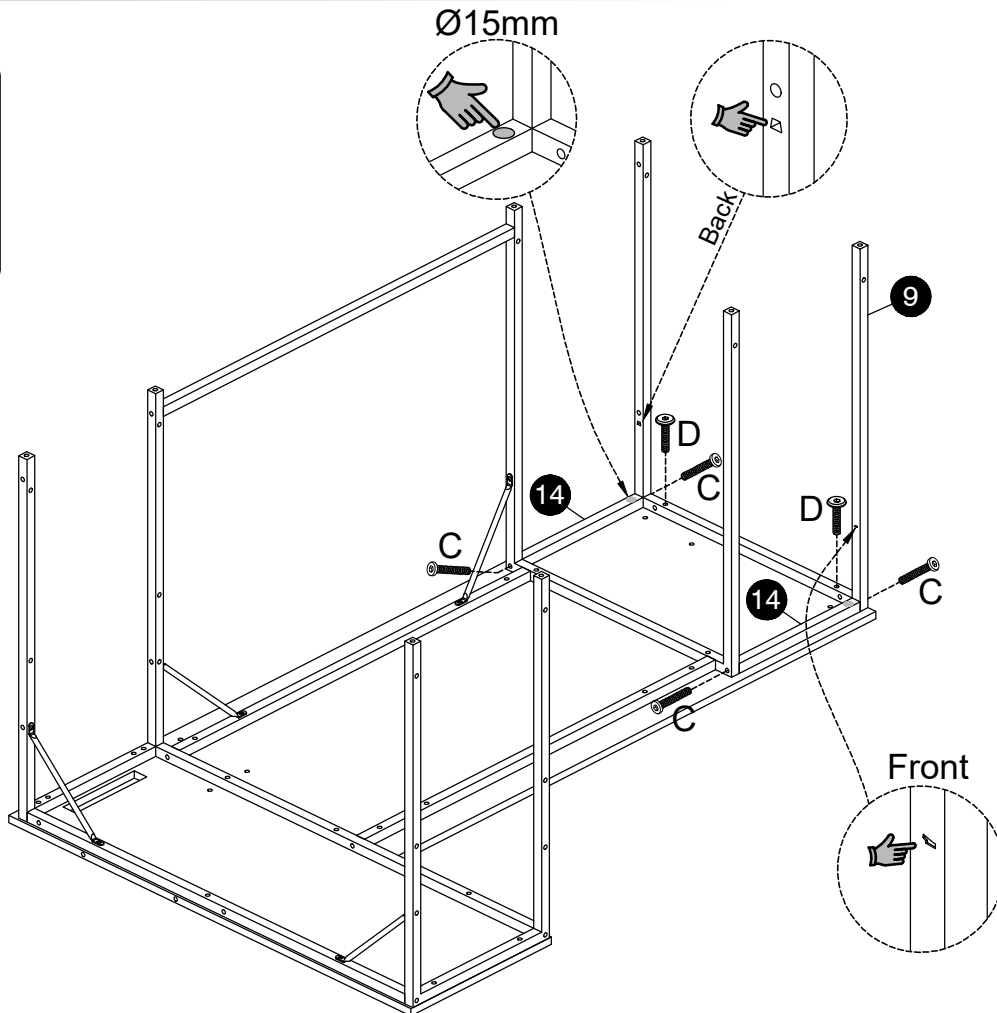
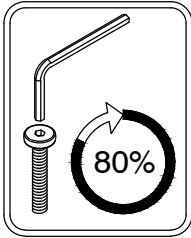
ASSEMBLY INSTRUCTION

STEP 25



L	x 1
S4	
O	x 1
S4	
F	x 8
M6 x 12mm	
G	x 4
M6	

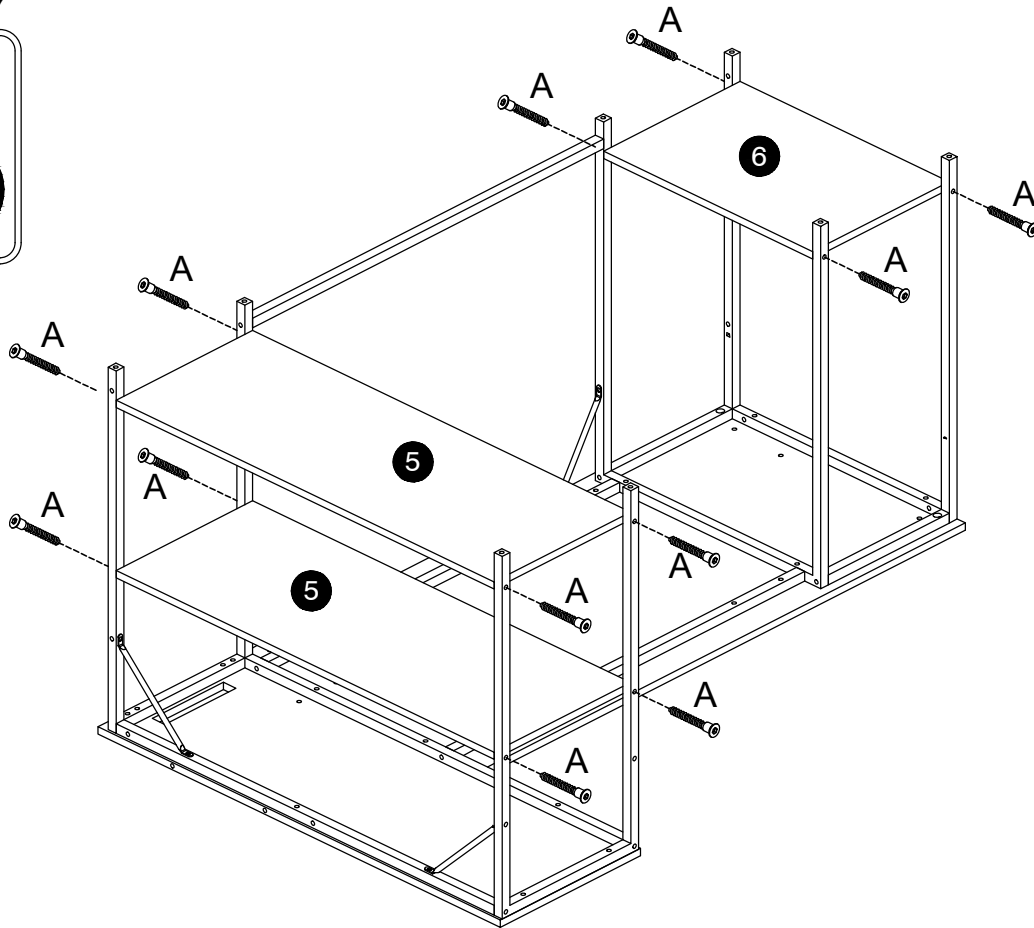
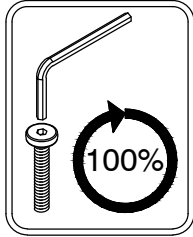
STEP 26


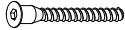



O	x 1
S4	
C	x 4
M6 x 35mm	
D	x 2
M6 x 30mm	

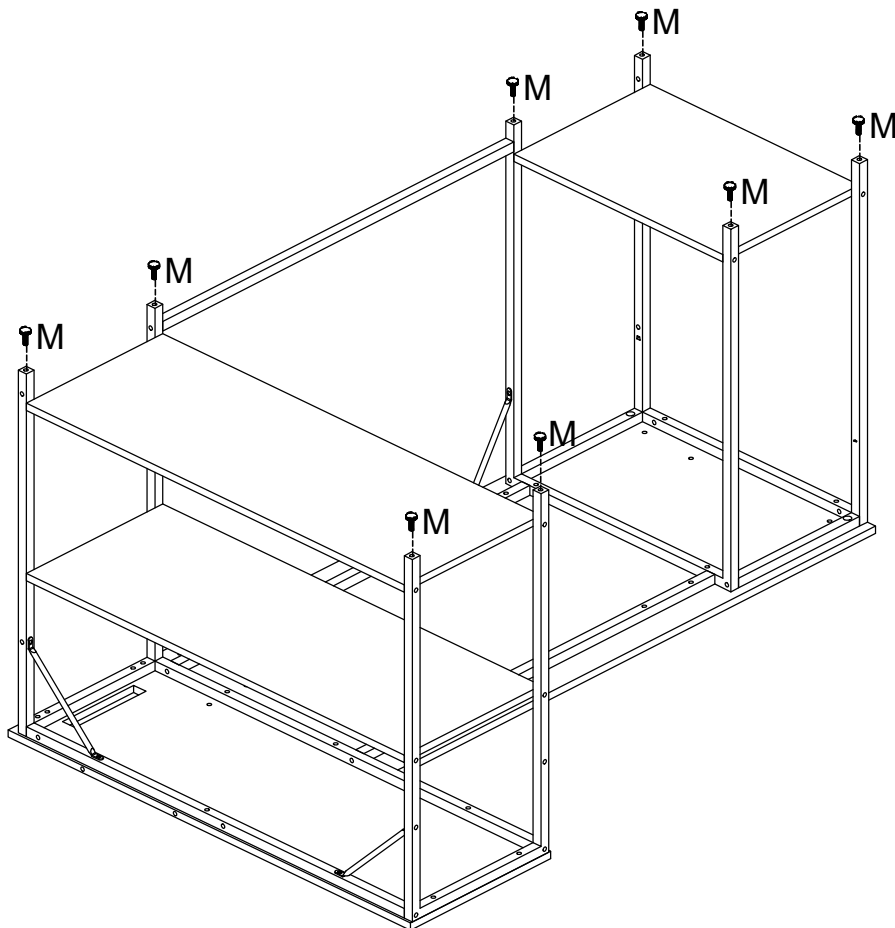
ASSEMBLY INSTRUCTION


STEP 27



O	x 1
	
S4	
A	x 12
	
Ø6 x 48mm	
C	x 2
	
M6 x 35mm	

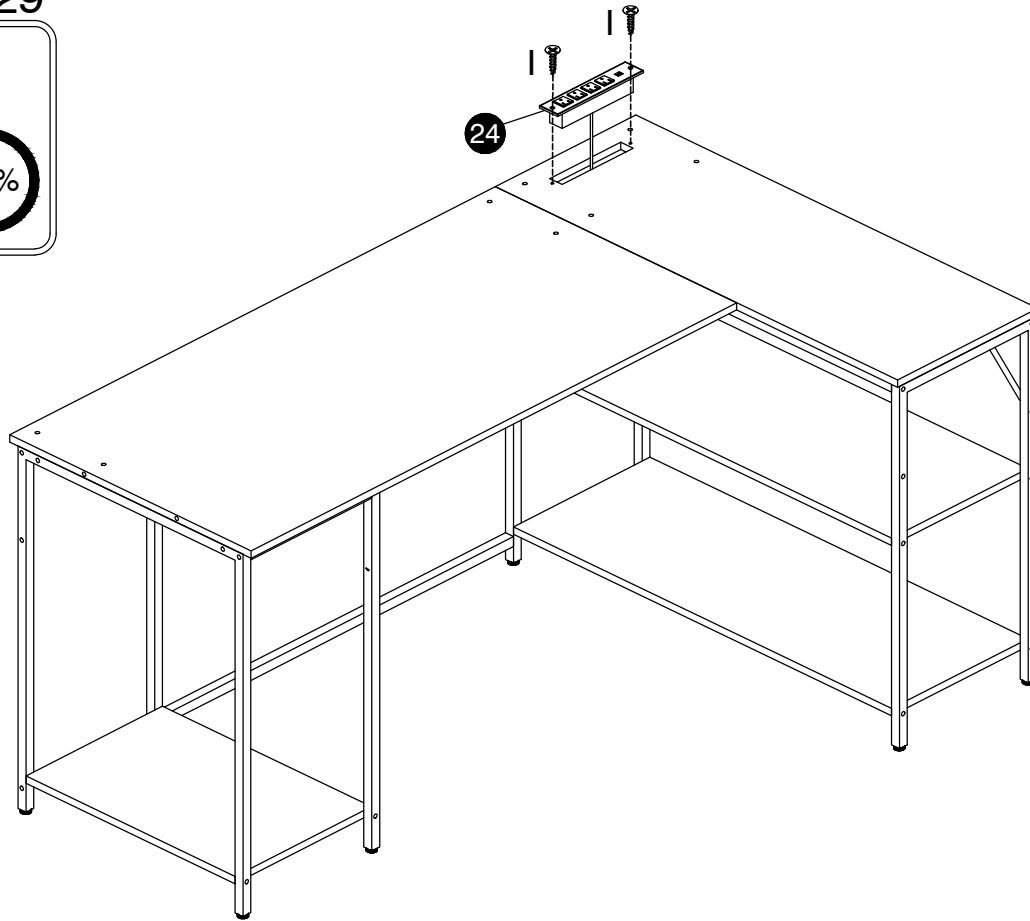
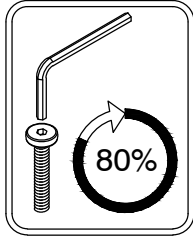
STEP 28



M	x 8
	
Ø20 x M6 x 15mm	

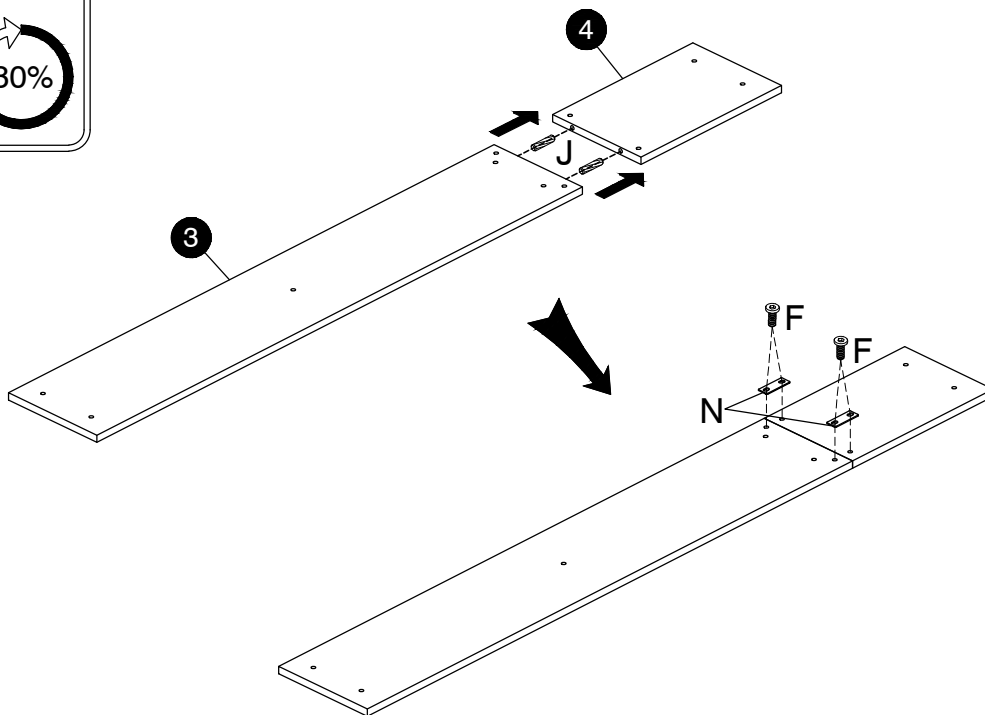
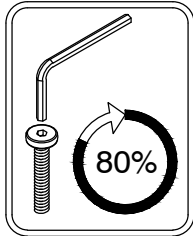
ASSEMBLY INSTRUCTION

STEP 29



L	x 1
S4	
I	x 2
Ø3 x 12mm	

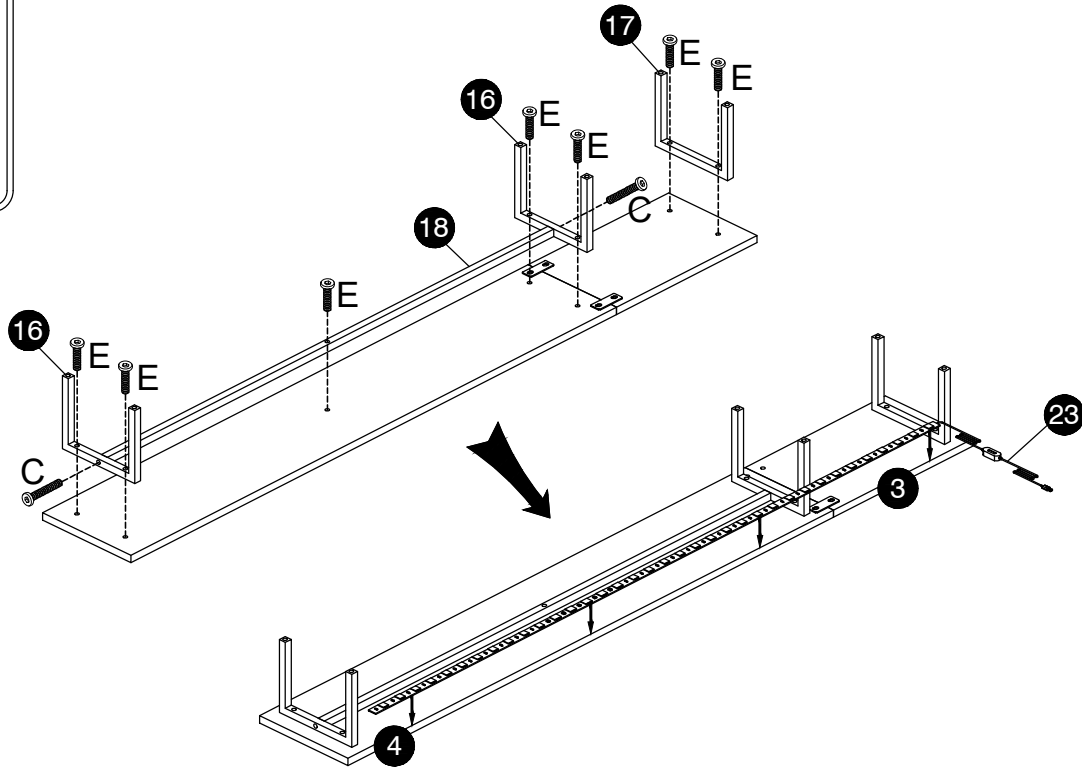
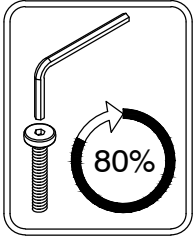
STEP 30



J	x 2
Ø8 x 40mm	
O	x 1
S4	
F	x 4
M6 x 12mm	
N	x 2

ASSEMBLY INSTRUCTION

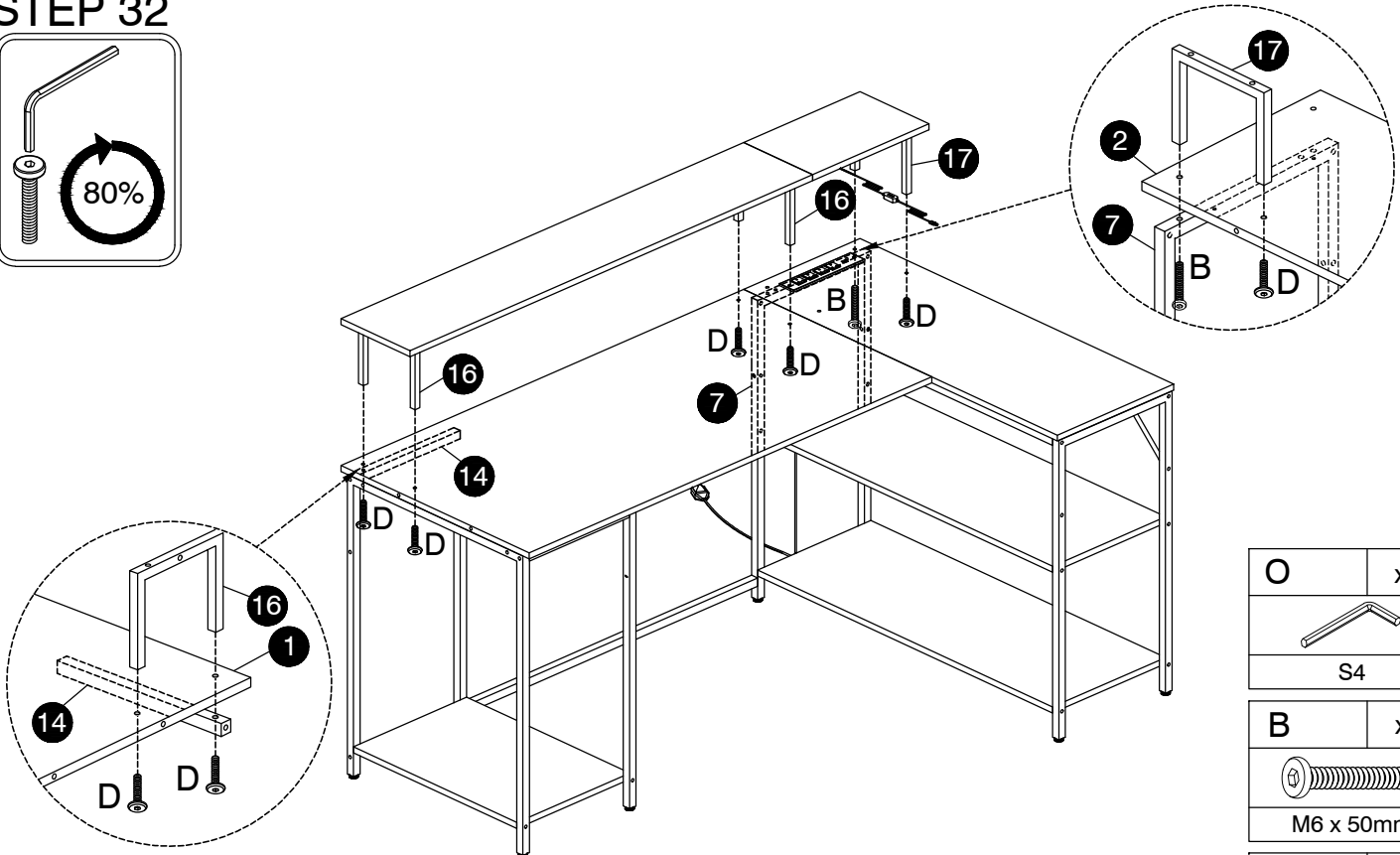
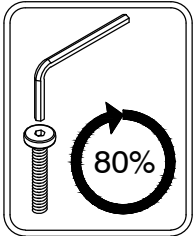
STEP 31



O	x 1
S4	
C	x 2
M6 x 35mm	
E	x 7
M6 x 25mm	

NOTE: Tear off the film and stick the light belt to the edge of board ③ & ④ tightly.

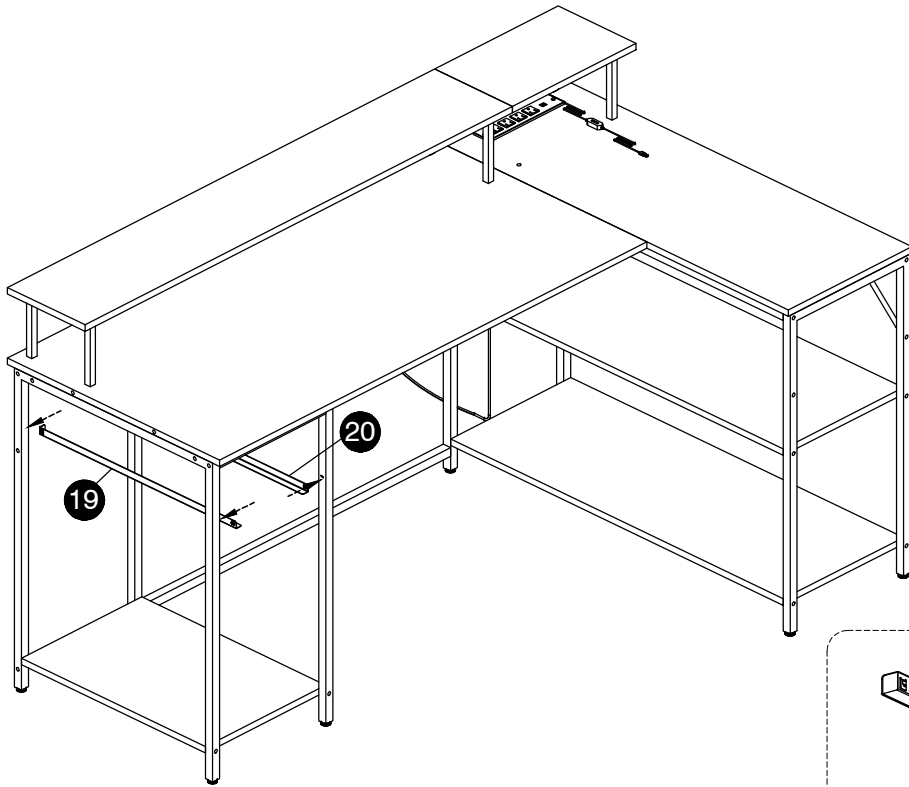
STEP 32



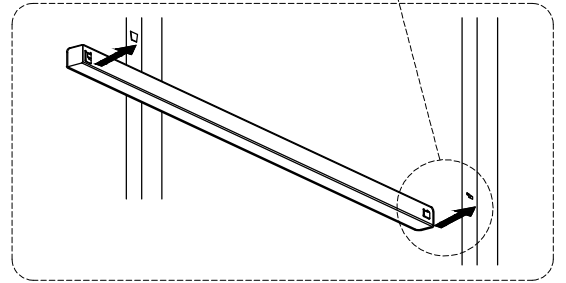
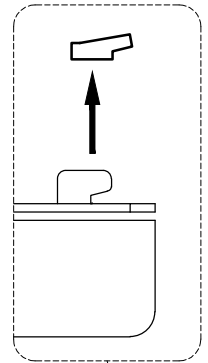
O	x 1
S4	
B	x 1
M6 x 50mm	
D	x 5
M6 x 30mm	

ASSEMBLY INSTRUCTION

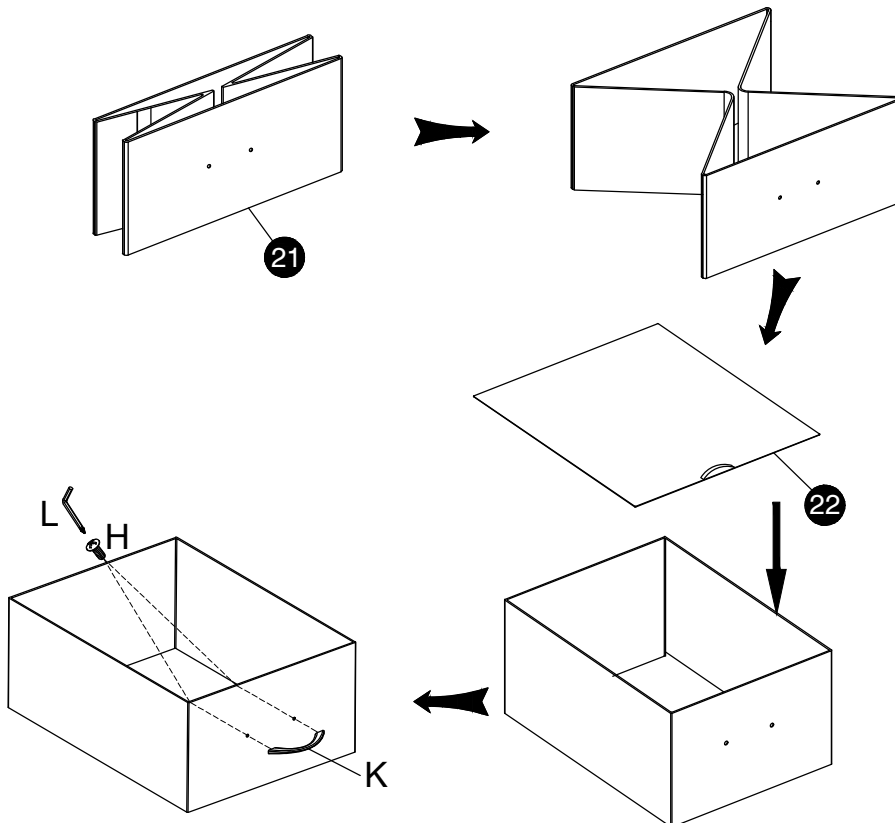
STEP 33



Note: First-in for installation, last-out for disassembly.



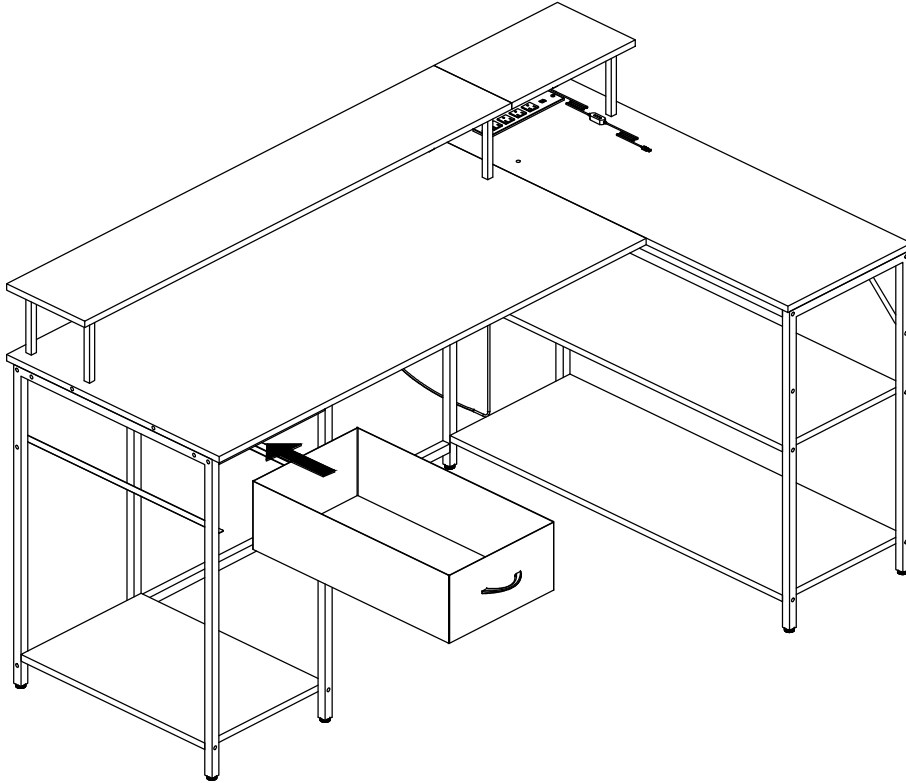
STEP 34



L	x 1
S4	
H	x 2
M4 x 8mm	
K	x 1

ASSEMBLY INSTRUCTION

STEP 35



STEP 36

