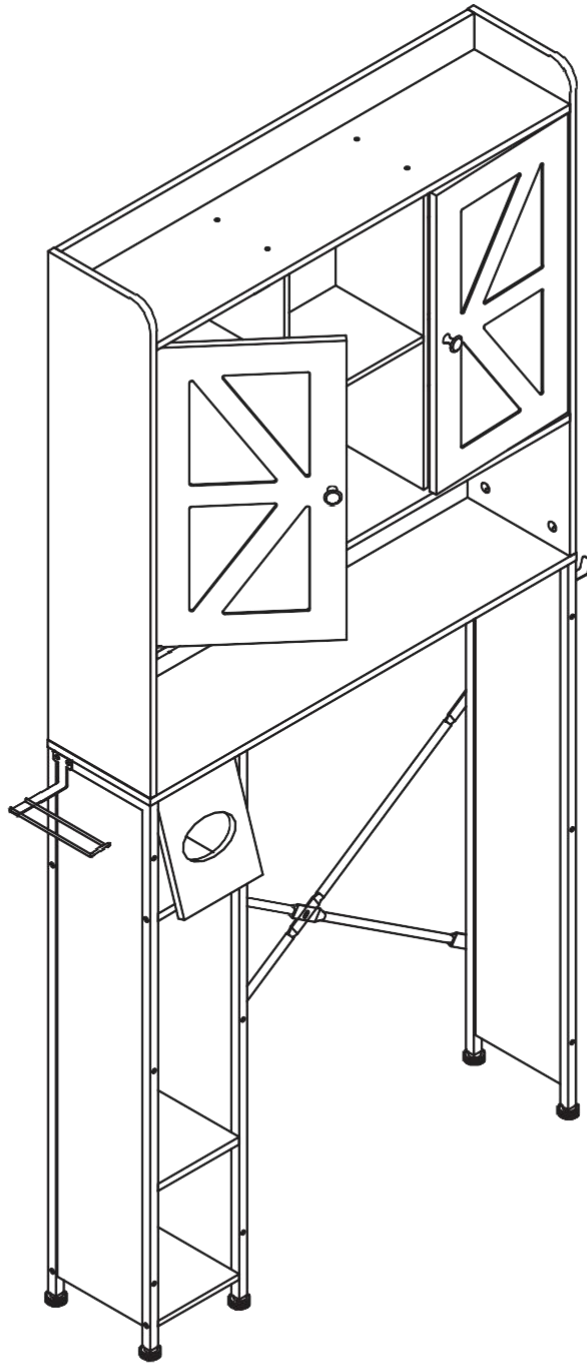
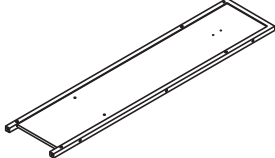
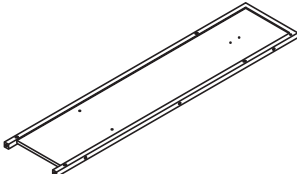
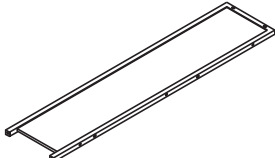
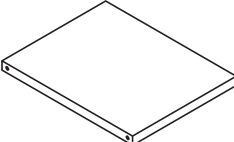
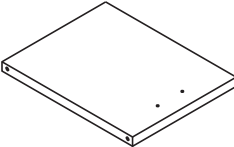
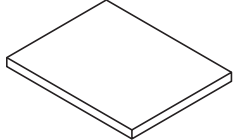
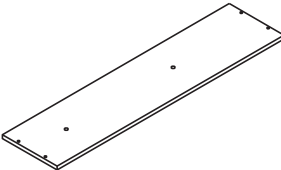
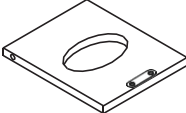


Assembly Instruction

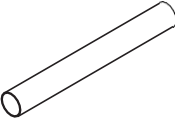
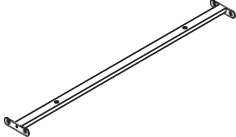
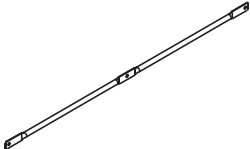
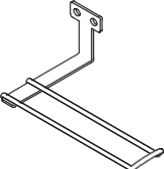
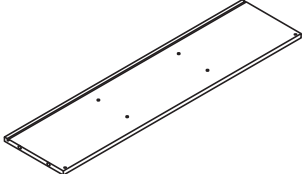
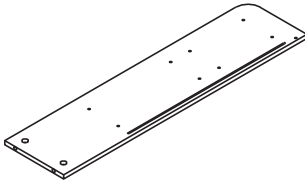
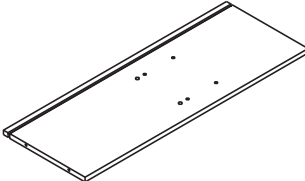
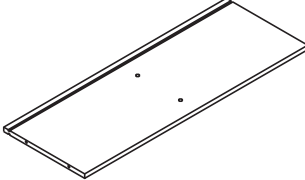


Assembled by
Two Adults

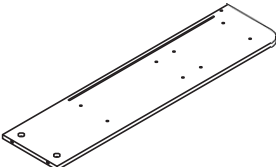
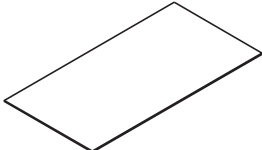
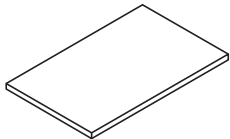
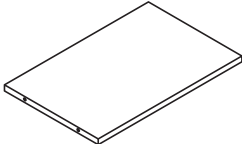
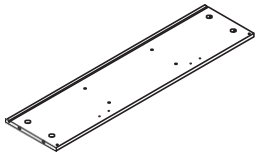
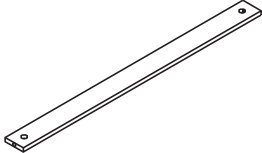
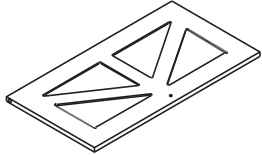
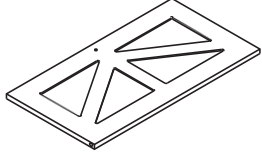
Component

Letter (number)	Part	Design	Quantity
①	Left Lower Bracket		x1
②	Middle Lower Bracket		x1
③	Right Lower Bracket		x1
④	Bottom Plate		x1
⑤	Layer Board		x1
⑥	Movable Shelf		x1
⑦	Panel		x1
⑧	Tissue Holder Flip Door		x1

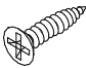
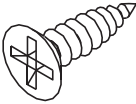
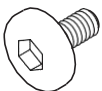
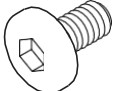
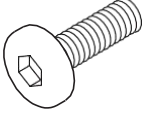
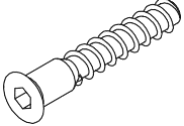
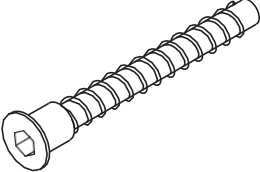
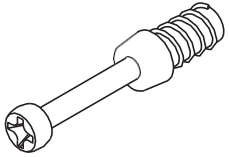
Component

Letter (number)	Part	Design	Quantity
⑨	Paper Roller Rod		x1
⑩	Metal Connecting Tube		x1
⑪	Cross Tightening Bars		x2
⑫	Towel Rack		x1
⑬	Layer Board		x1
⑭	Left Side Board		x1
⑮	Left Middle Side Board		x1
⑯	Right Middle Side Board		x1

Component

Letter (number)	Part	Design	Quantity
①7	Right Side Board		x1
①8	Back Board		x3
①9	Upper Movable Board		x2
②0	Upper Middle Layer Board		x1
②1	Top Board		x1
②2	Rear Connection Board		x1
②3	Left Door		x1
②4	Right Door		x1

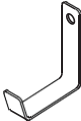
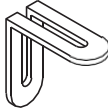
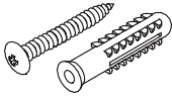
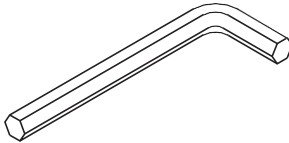
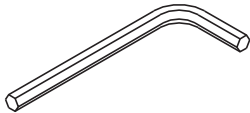
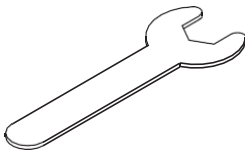
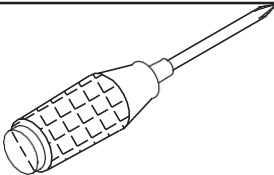
Component

Letter (number)	Part	Design	Quantity
Ⓐ	Screw M3*12mm		x6
Ⓑ	Screw M4*10mm		x4
Ⓒ	Screw M5*10mm		x1
Ⓓ	Screw M6*12mm		x13
Ⓔ	Screw M6*18mm		x2
Ⓕ	Screw M5*35mm		x20
Ⓖ	Screw M5*50mm		x4
Ⓕ	Linkage Screw		x14

Component

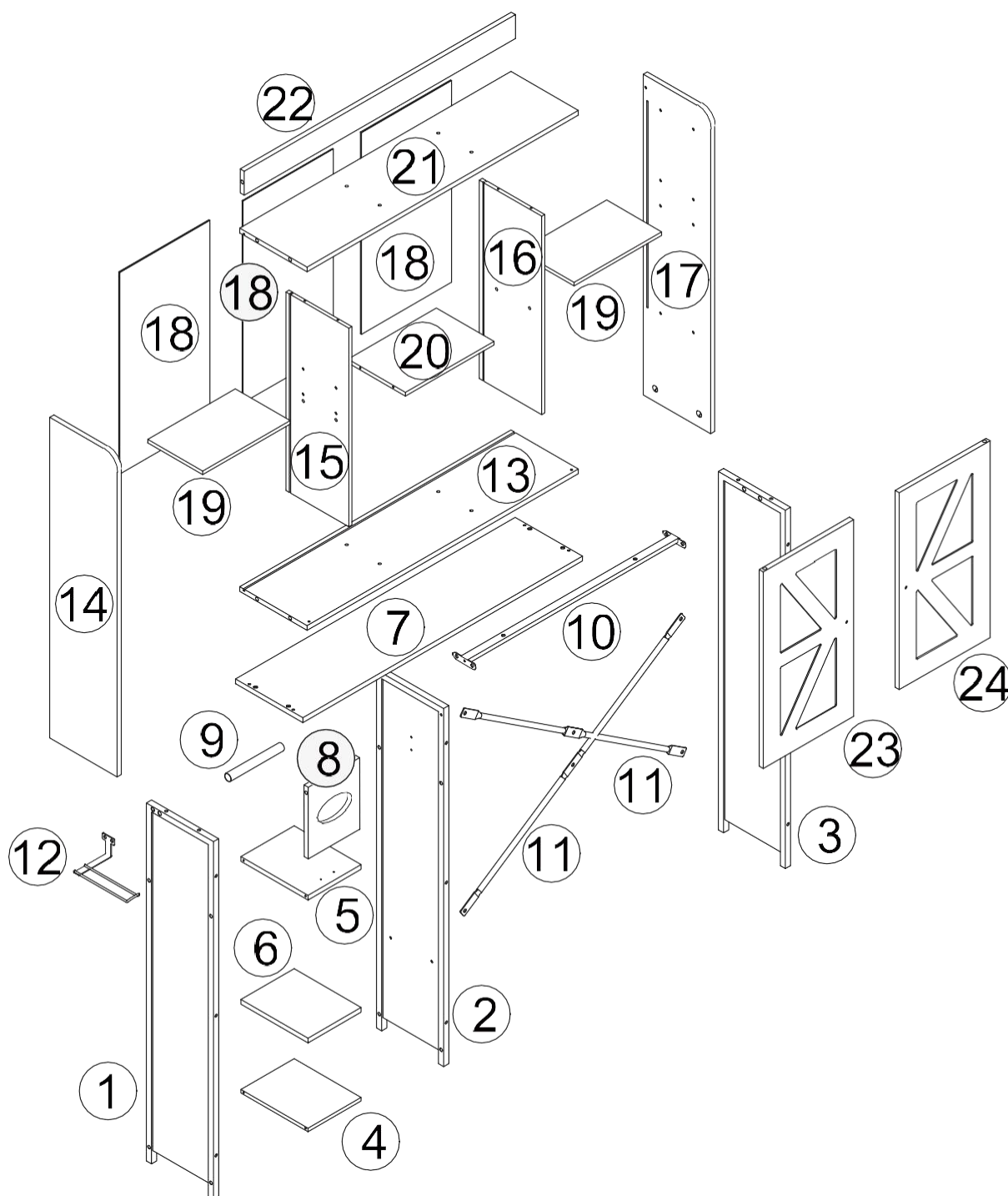
Letter (number)	Part	Design	Quantity
I	Hidden Fasten Screw		x14
J	Nut for Tightening Cross Bars		x1
K	Cabinet Door Knob		x2
L	Rotating Shaft		x6
M	Door Magnetic Kit		x3
N	Dowel Pin		x12
O	Leveling feet		x6
P	Support Leg for Paper Roller Rod		x2

Component

Letter (number)	Part	Design	Quantity
Q	L Hook		x2
R	Anti-tip Anchor		x1
S	Bolts for Anti-tip Kit		x1
T	S4 Allen Wrench (for Tightening Screws)		x1
U	S3 Allen Wrench (For Tightening Screws)		x1
V	Large Open End Wrench (For Tightening Casters)		x1
W	Bolt Driver		x1

ATTENTION

1. Before starting the installation, please check carefully and take the correct parts to avoid the wrong assembly.
2. We recommend not fully tightening the screw at the beginning.
After all steps are finished and the position is adjusted well, screws can be fully tightened.



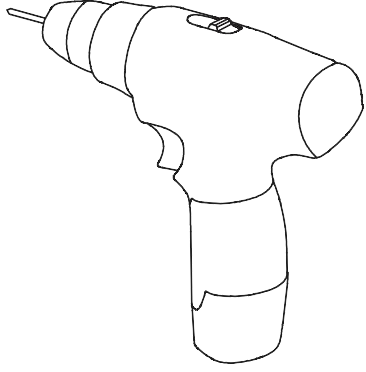
Self equipped tools:



**Phillips Screwdriver
(Not included)**

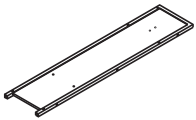
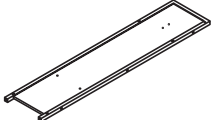
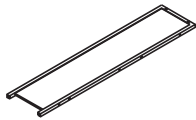
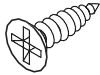

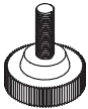
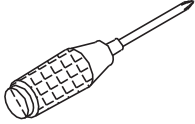


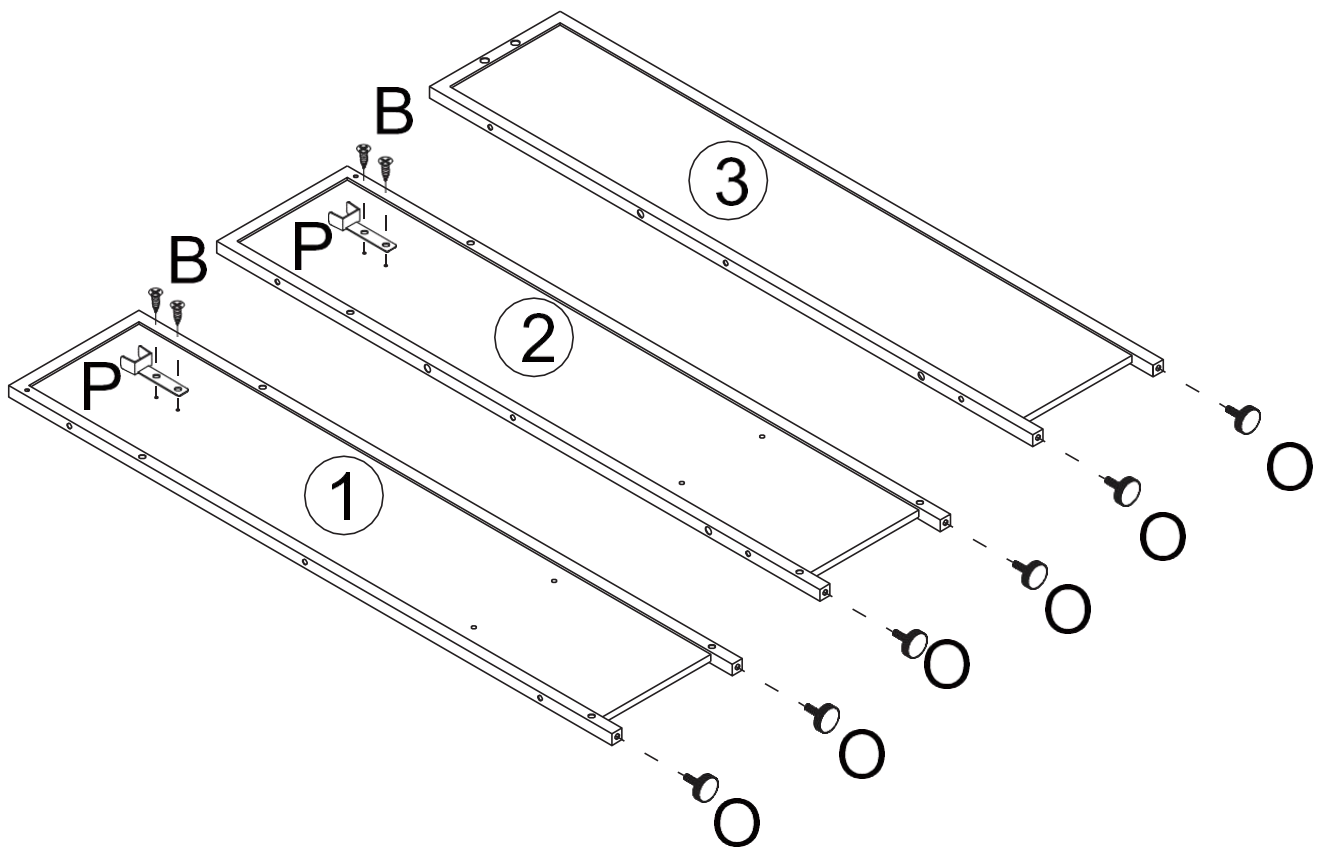
**Slotted Screwdriver
(Not included)**



**Electric Drill
(Not included)**

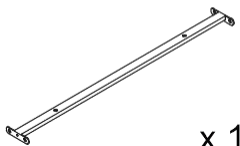
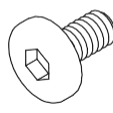
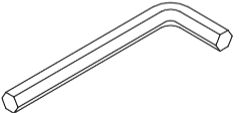
Step 1

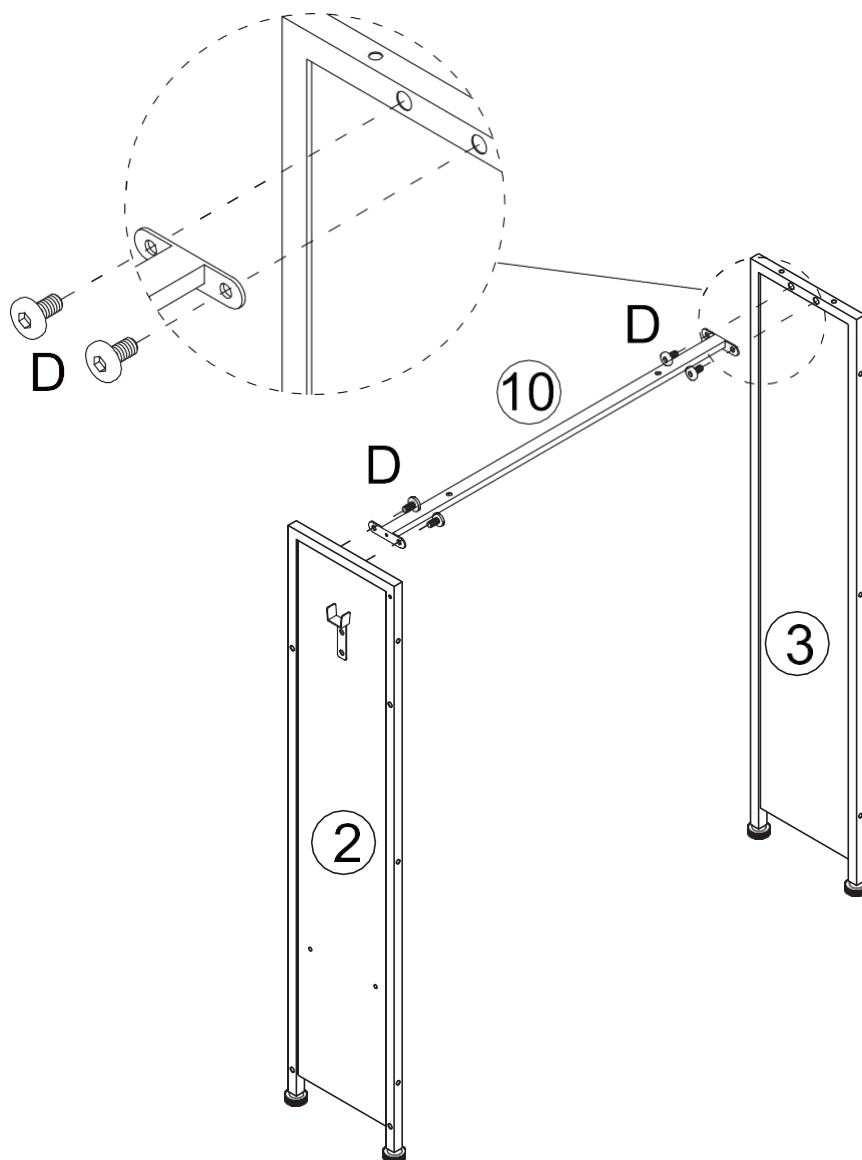
①	②	③	B	P
 x1	 x1	 x1	 x4	 x2
O	W			
 x6				



Fix (P) onto the side frame of ① and ② with screw (B).
 First, Install Support Legs for Paper Roller Rod.
 Then, Assemble all Leveling feet.

Step 2

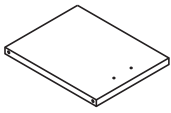

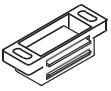
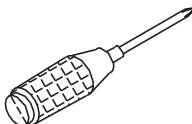
⑩	D	T
 x 1	 x 4	

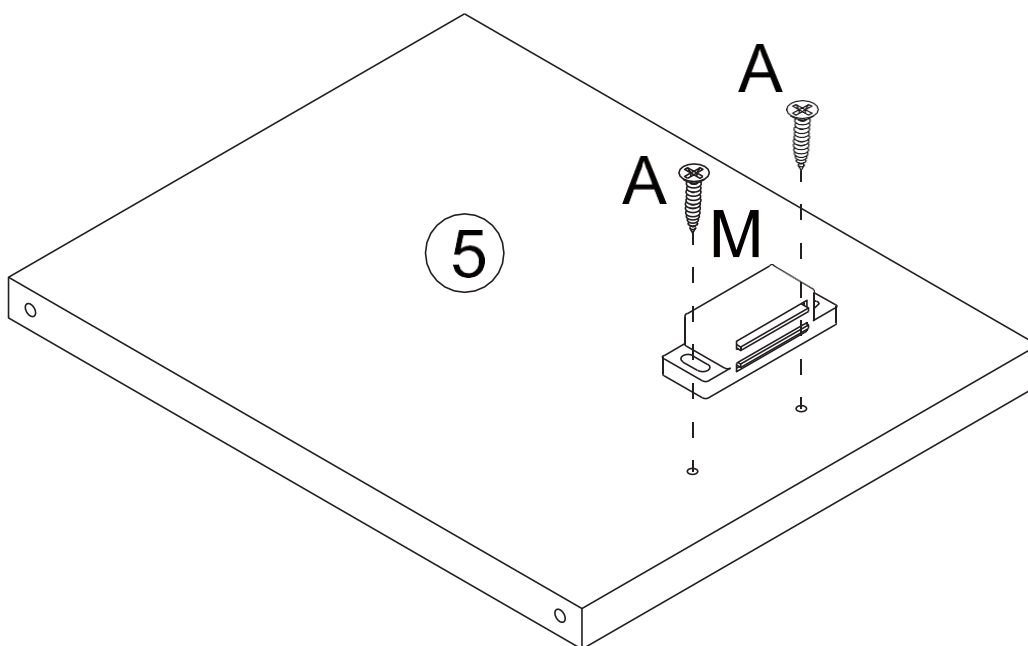


Use ⑩ to assemble ⑩ with one side frame of ② and ③ respectively.

⚠ NOTE: This is the frontside of the bottom rack.

Step 3

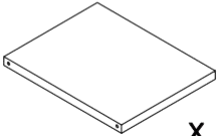
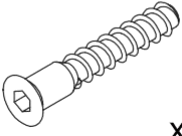
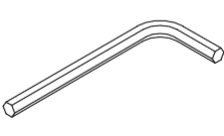
⑤	A	M	W
 x1	 x2	 x1	

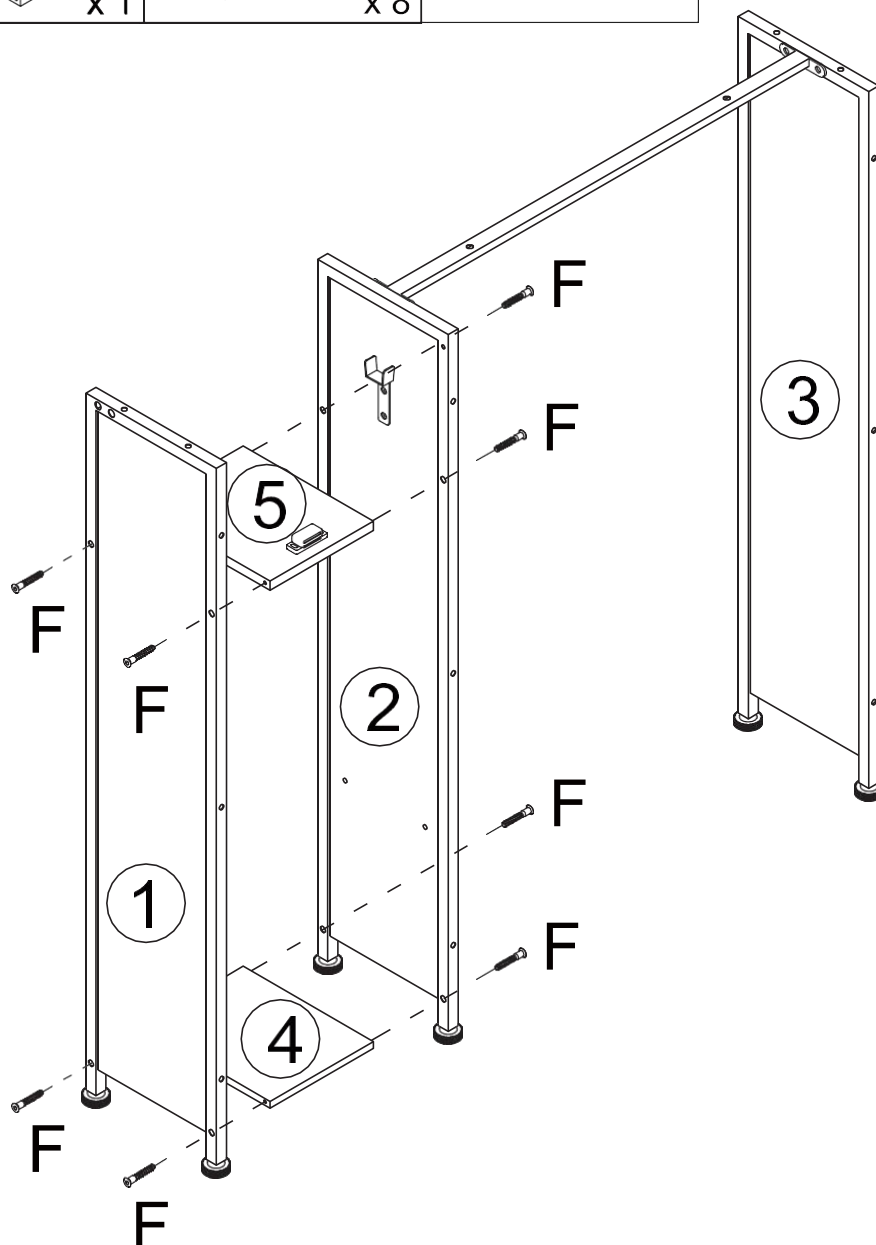


Install magnetic kit for flip door of tissue holder.

⚠ NOTE: After completing the installation, if you may find the layer board ⑤ and flip door ⑧ are not aligned, please adjust the tightness of screw A and the position of M here.

Step 4

④	F	U
 x 1	 x 8	


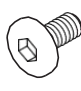

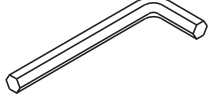



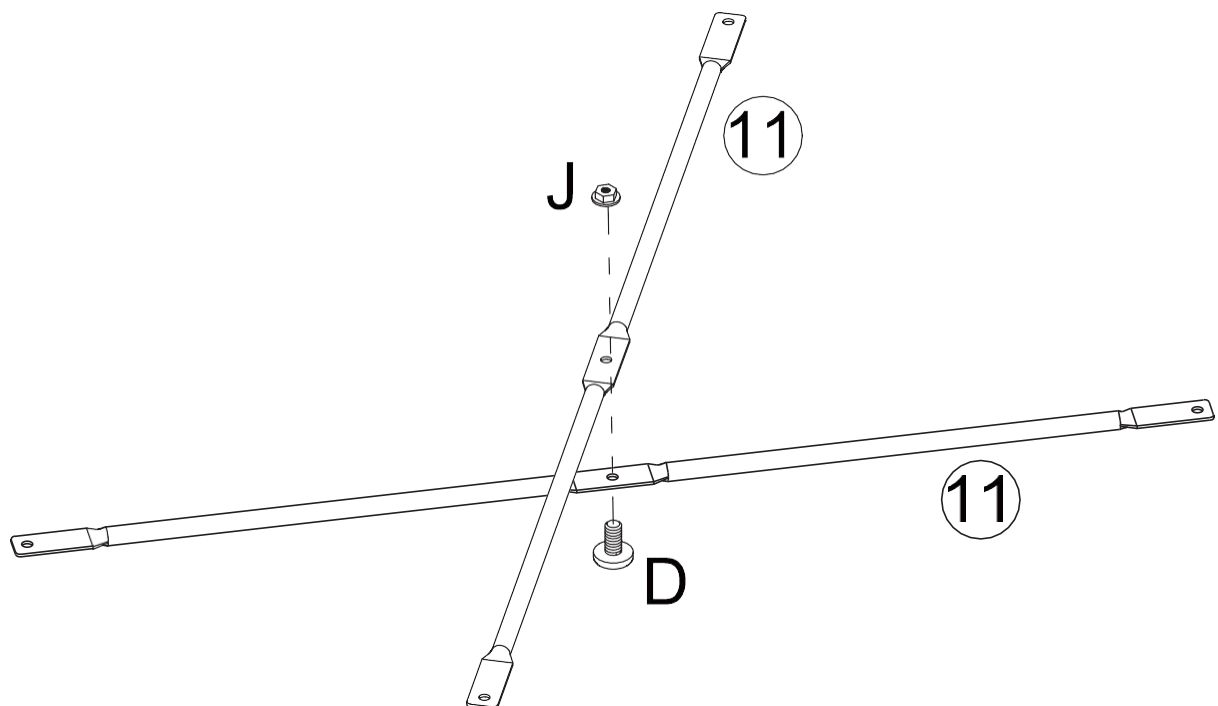
Use (F) to assemble (1), (2), (4) and (5) together as shown in the figure.

⚠ NOTE: This is the frontside of the bottom rack.

⚠ NOTE: The edge with magnetic kit of the layer board faces upwards.

Step 5

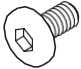
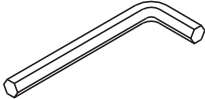
⑪	D	J	T	V
 x2	 x1	 x1		

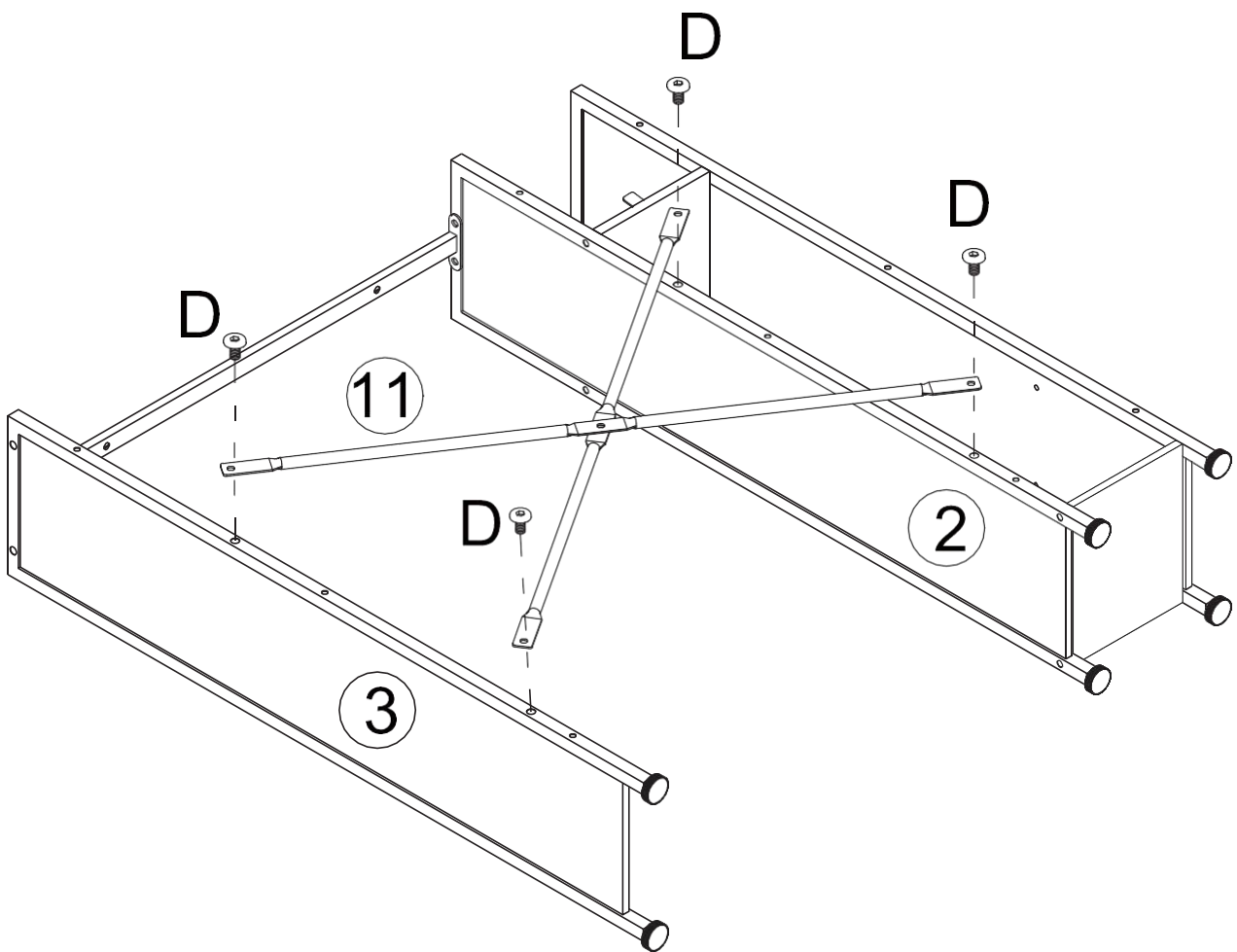


Use nut and bolt to connect two cross tightening bars.

⚠ **NOTE:** Please do not fully tighten the screw.

Step 6

D	T
 x4	

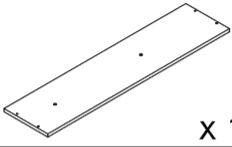
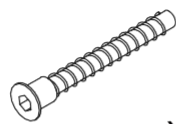
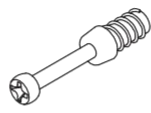
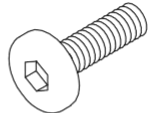
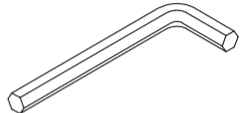
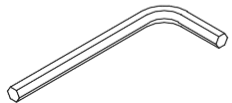
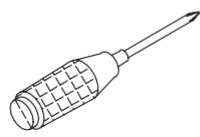


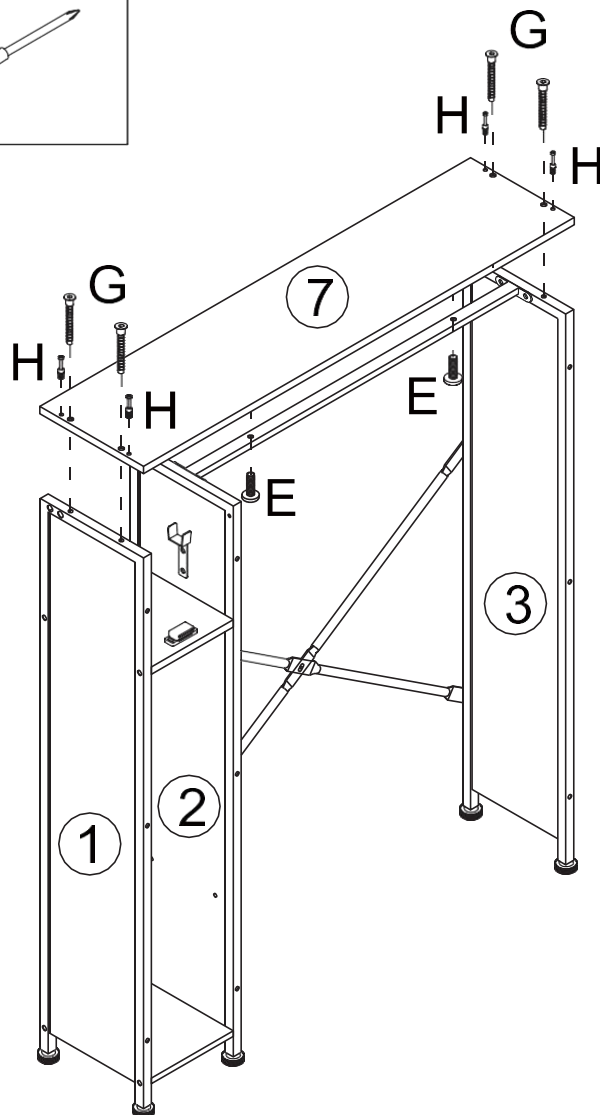
⚠ NOTE: This is the backside of the bottom rack.

Install the two cross tightening bars.

⚠ NOTE: If you find the four holes are not aligned, please loosen the screw on step 5 to make adjustment.

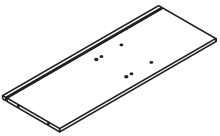
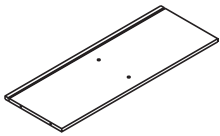
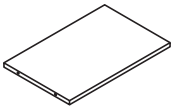
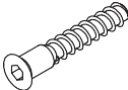

Step 7

⑦	G	H	E	T
 x 1	 x 4	 x 4	 x 2	
U	W			
				

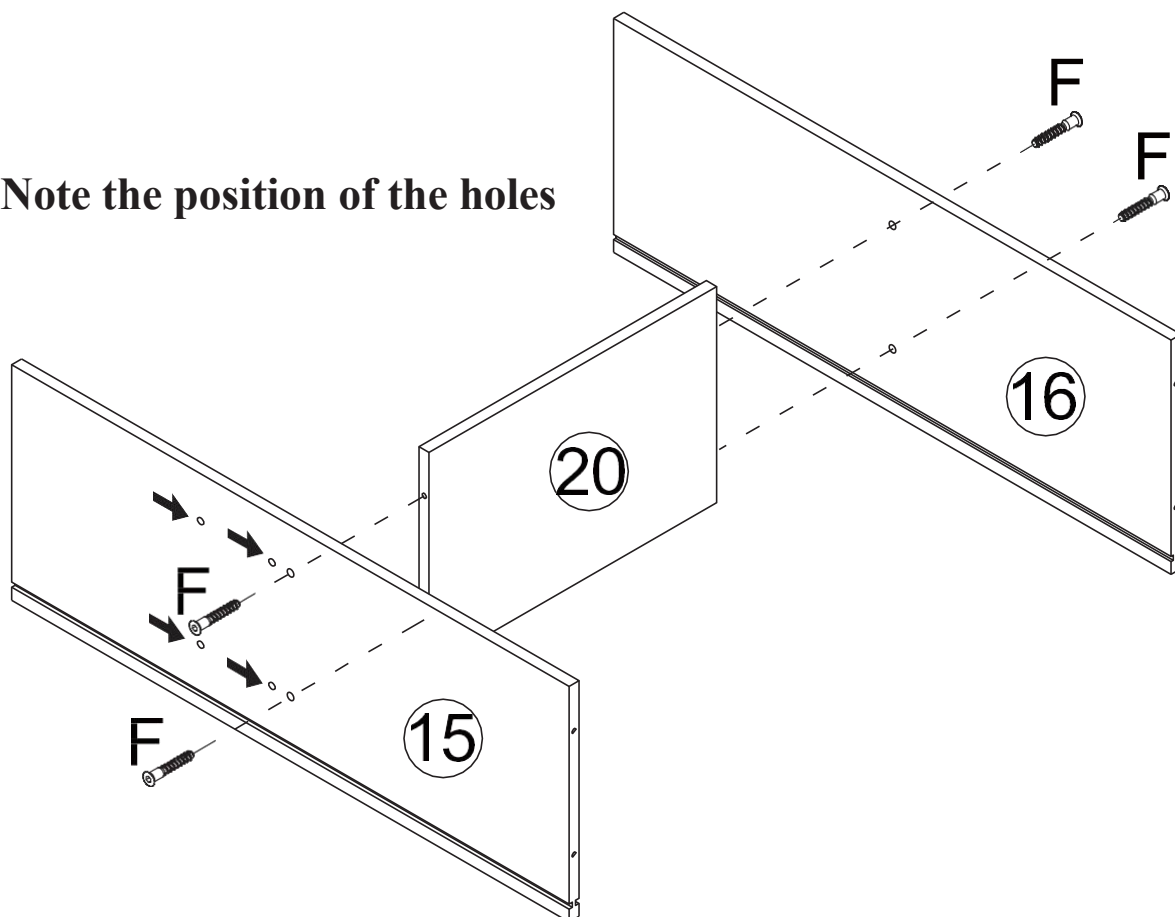


First, make sure ⑥ and ⑦ are placed into the right holes.
 Second, tighten the screws to assemble the panel ⑧ .
 Then, Use ⑨ to fasten the connecting tube and the panel ⑩ .
 Here, the assembly of the lower part is finished.

Step 8

⑮	⑯	⑳	F	U
				
x1	x1	x1	x4	

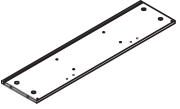

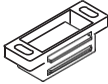
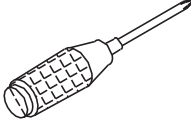
Note the position of the holes

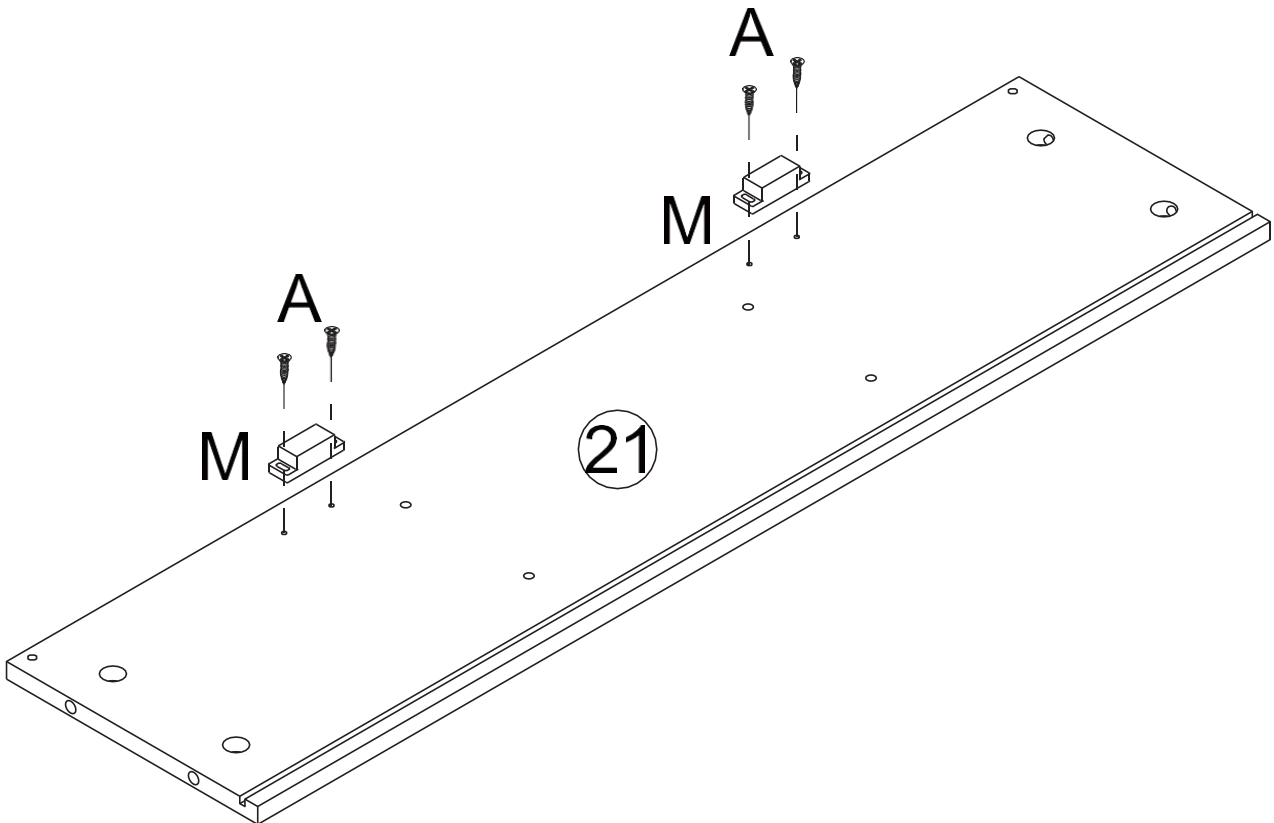


Use 4***F** to fix **⑮** and **⑳**, as well as **⑯** and **⑳**.
Here is the first assembly step of the upper part.

⚠ NOTE: The side with two holes of board **⑮** and **⑯** face inwards.

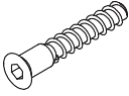

Step 9

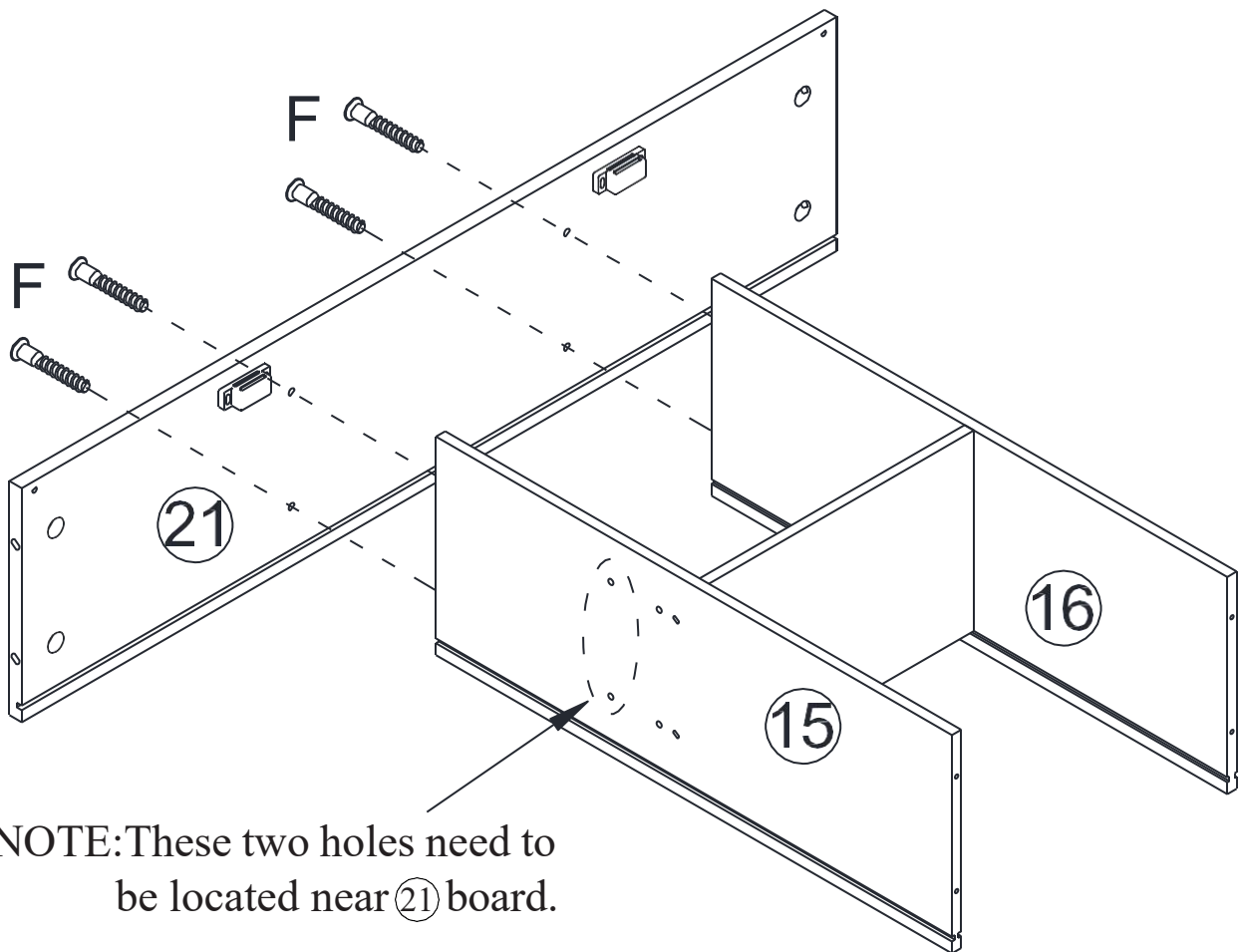
(21)	A	M	W
 x1	 x4	 x2	



⚠ NOTE: After completing the assembly of upper part, if you may find the doors are not aligned at Step 20, please adjust the tightness of screw (A) and the position of (M) here.

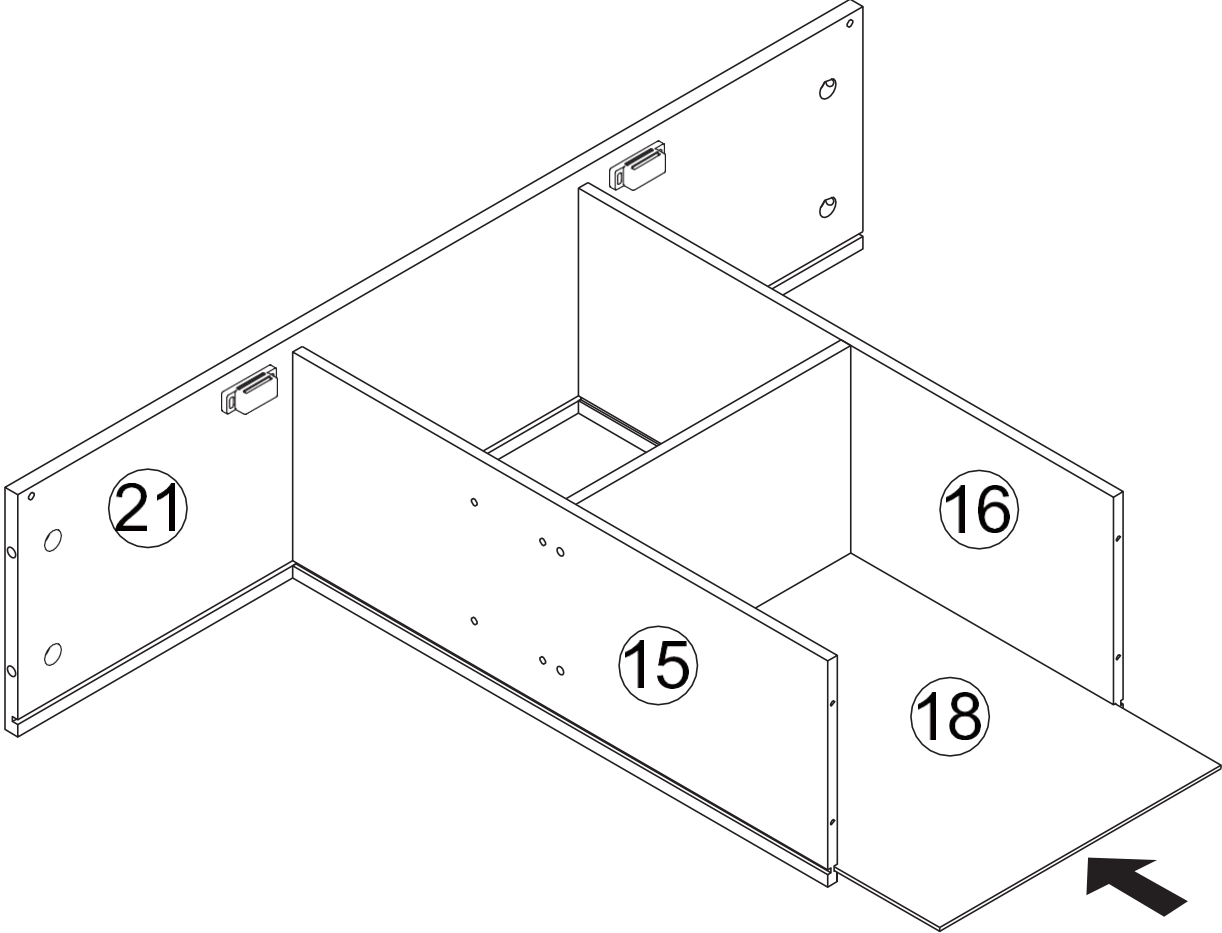
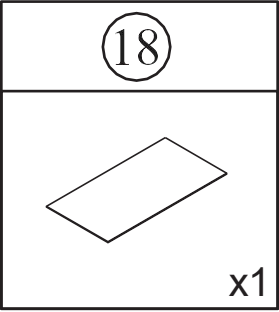
Step 10

F	U
	
x4	



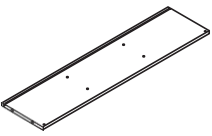
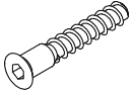

NOTE: These two holes need to be located near ②1 board.

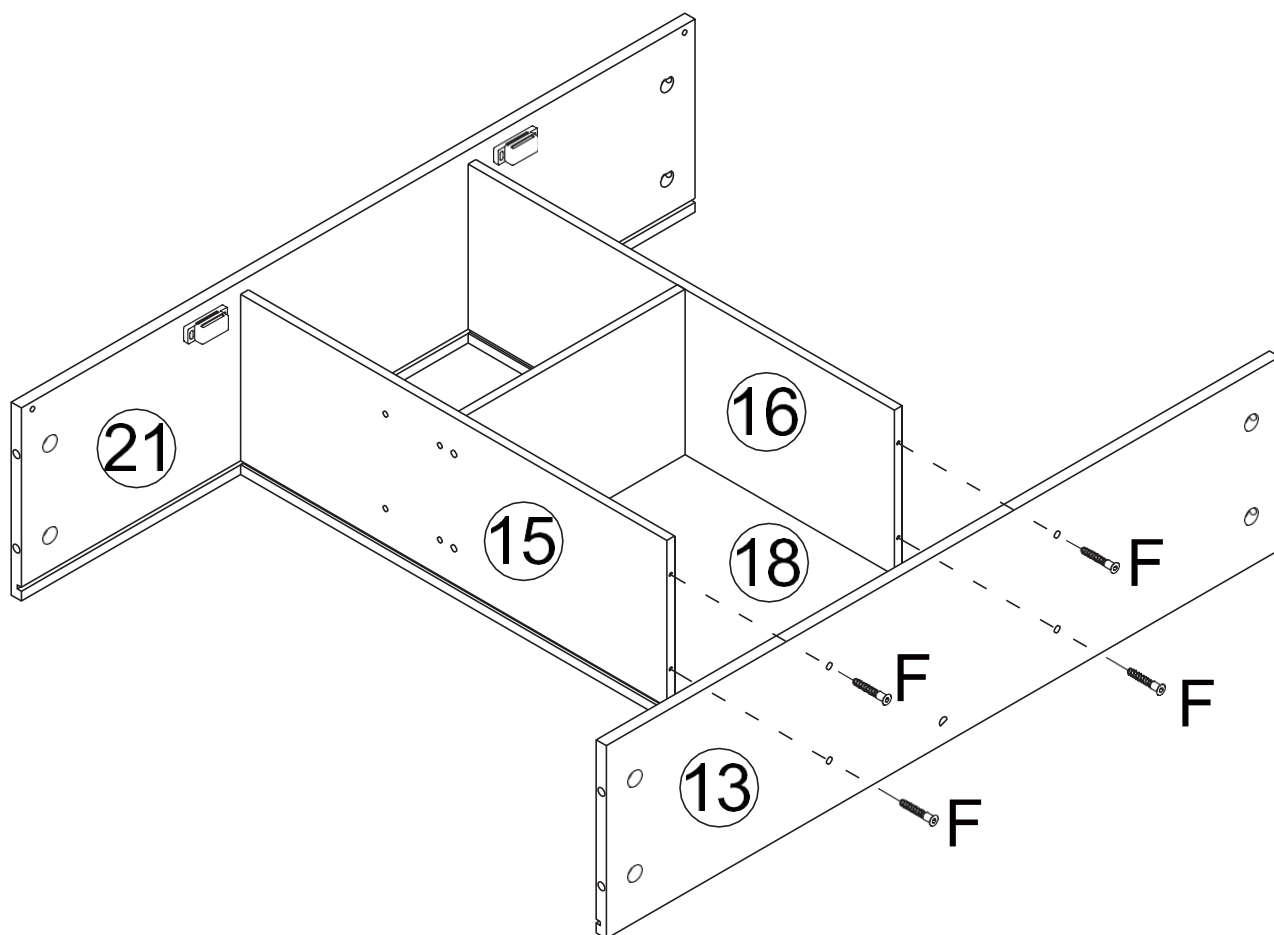
Step 11



Insert 18 along the slot of 15 and 16 into the slot of 21.

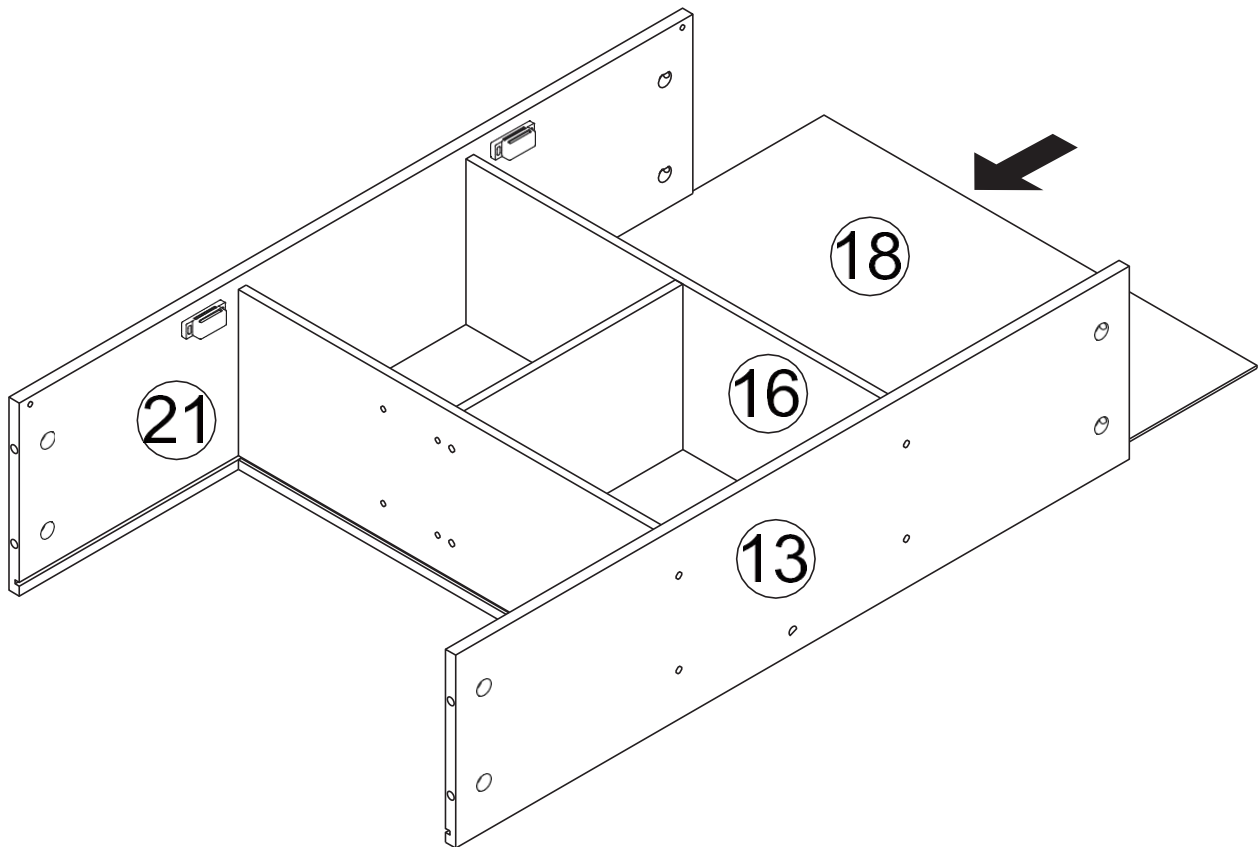
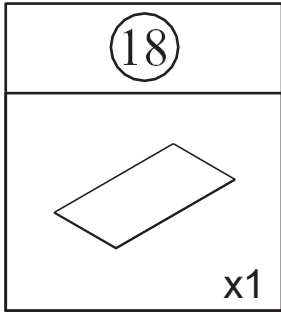
Step 12

⑬	F	U
 x1	 x4	



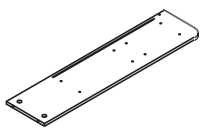
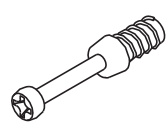

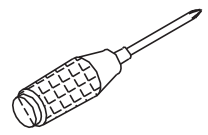
Use (F) to fix (13) together with (15) and (16) through the screw holes on the narrow side as shown in the figure.

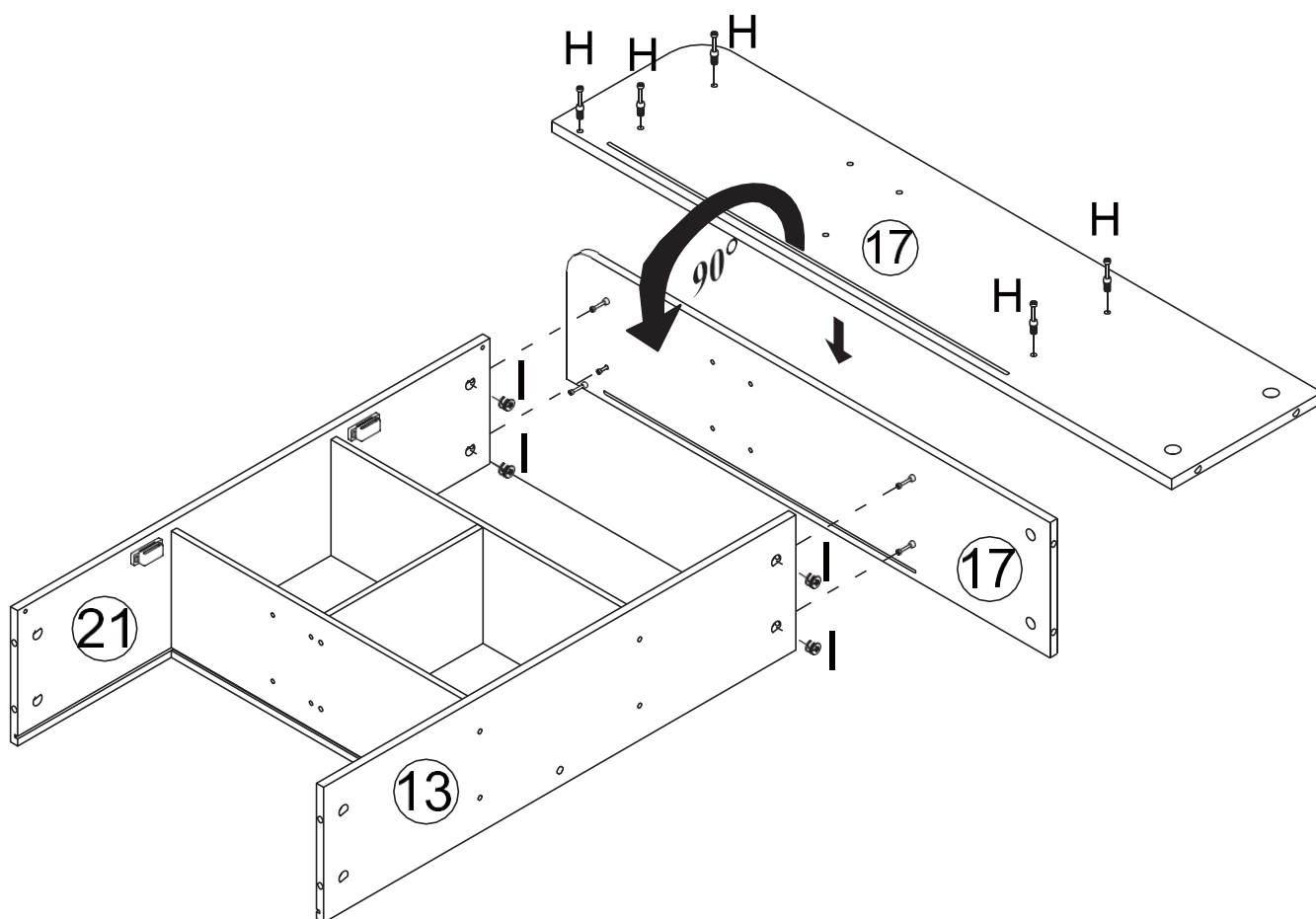
Step 13



Insert 18 into the slots of 13, 16 and 21.

Step 14

⑰	H	I	W
 x1	 x5	 x4	

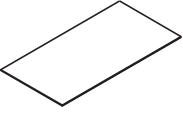
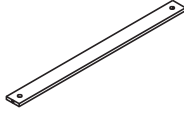

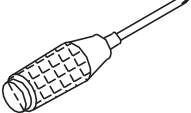


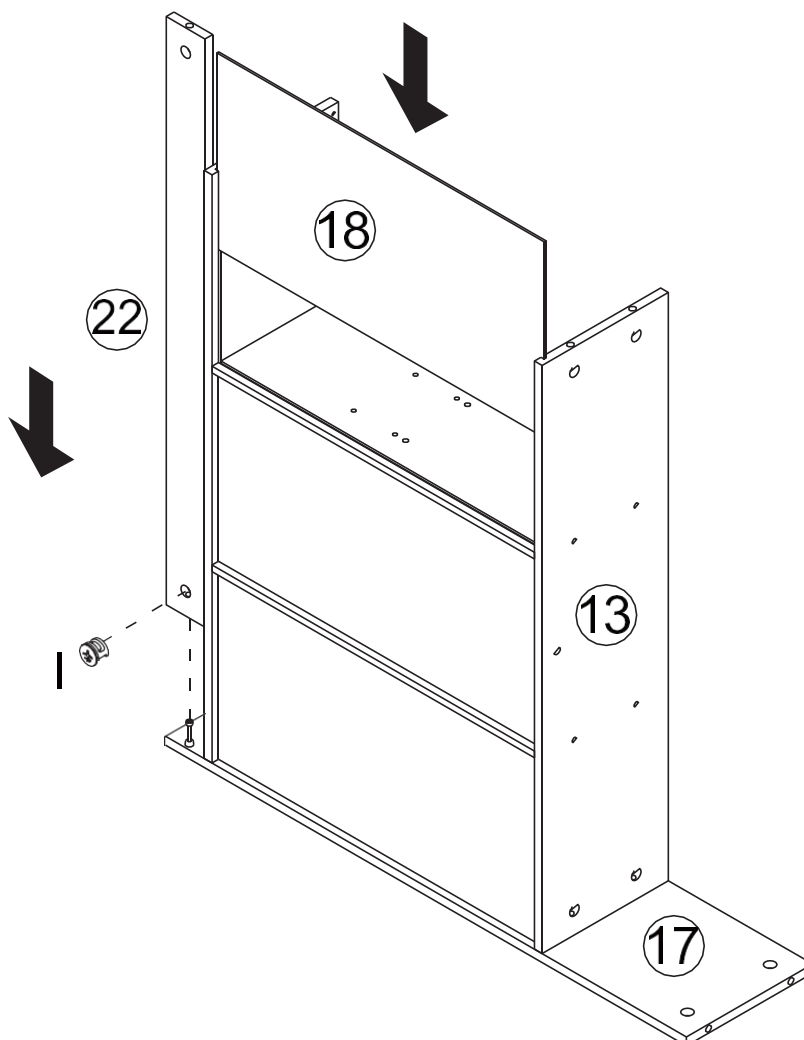
Insert the linkage screw (H) into the pre-drilled holes of panel (17).
Align (H) with the holes of panel (13) and (21) .
Use Screw (I) to fasten these panels together.



Screw (I) is used to connect with linkage screw (H) .
Before screwing make sure they are aligned.

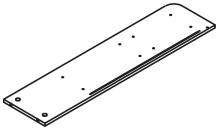
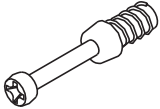

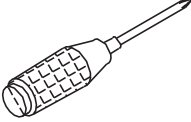
Step 15

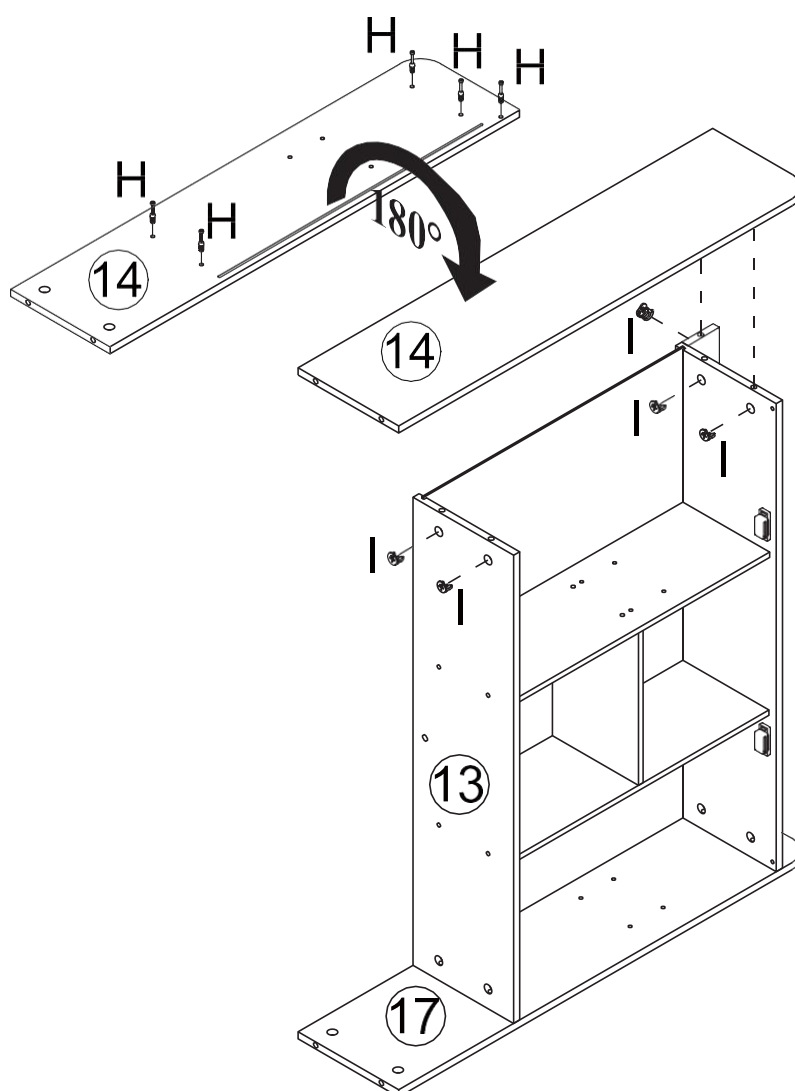
⑱	㉒	I	W
 x1	 x1	 x1	



Insert ⑱ along the slots of ⑬ and ㉑ into the slot of ⑮ .
Insert the side hole of ㉒ into ⑰, and put I into the corresponding hole and tighten it clockwise.

Step 16


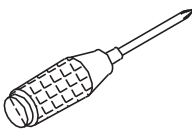
⑭	H	I	W
			
x1	x5	x5	

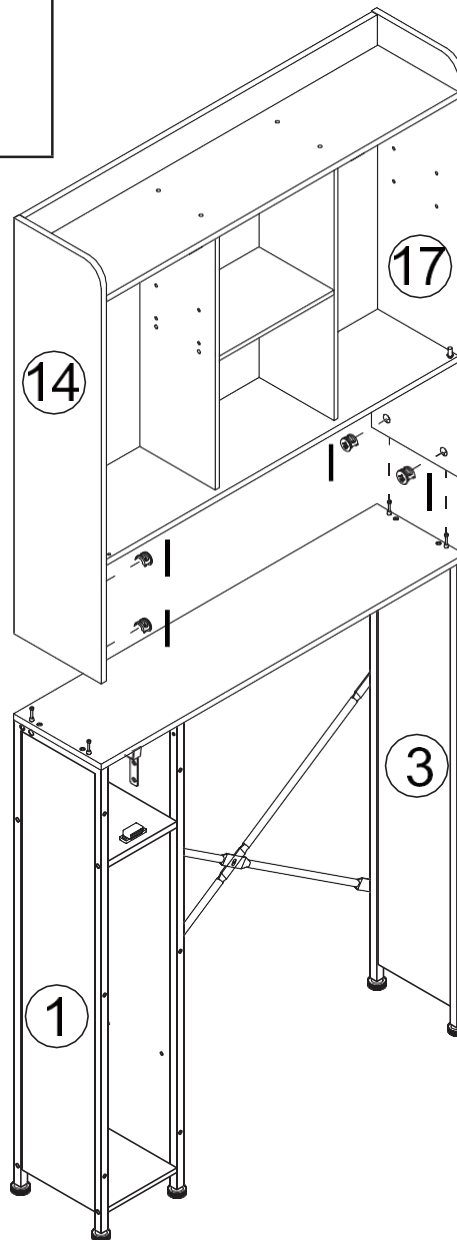


Screw 5* ⑨ into ⑭.

Align the screw ⑨ installat ⑭ with the narrow side holes of ⑬ ⑳ and the side hole of the back baffle at ㉔ and insert it. Then put I into the corresponding hole and tighten it clockwise.

Step 17

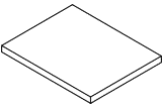
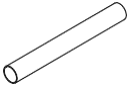
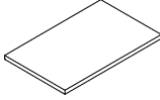
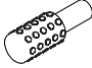
I	W
 x4	

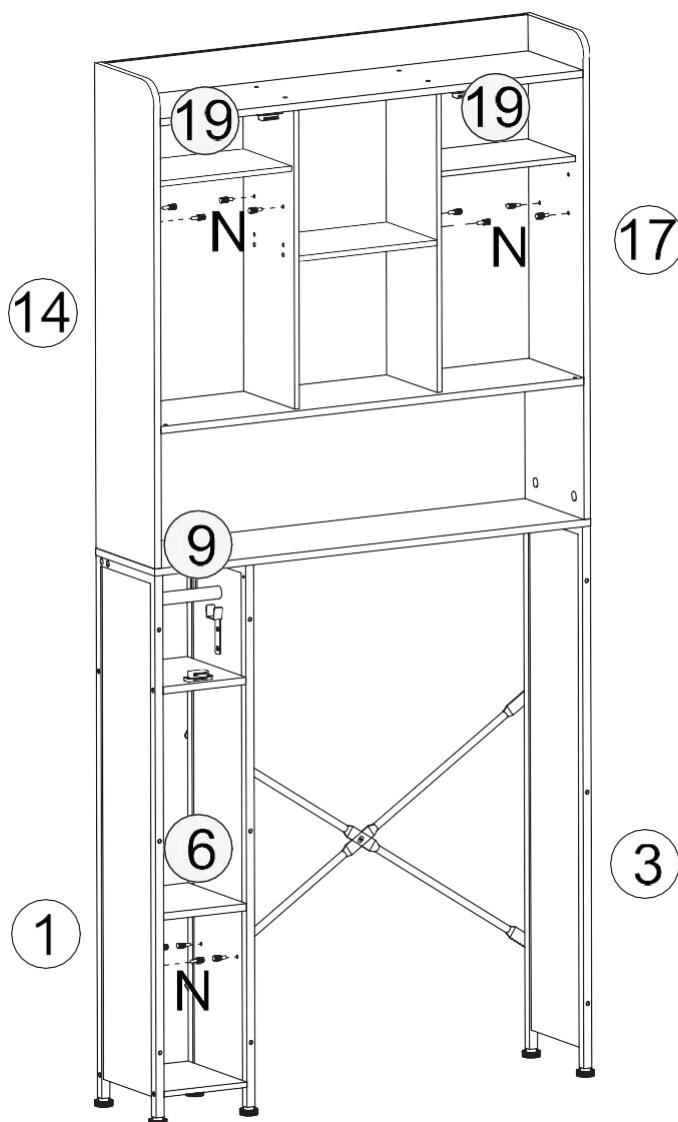


Before installing the upper main frame, it is recommended to place the lower part of the main frame that has been installed over the toilet.

Connect the two installed main frames, and put I into the corresponding hole and tighten it clockwise.

Step 18

⑥	⑨	⑱	N
			
x1	x1	x2	x12



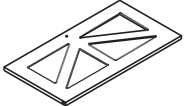


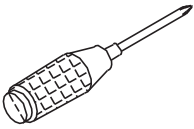


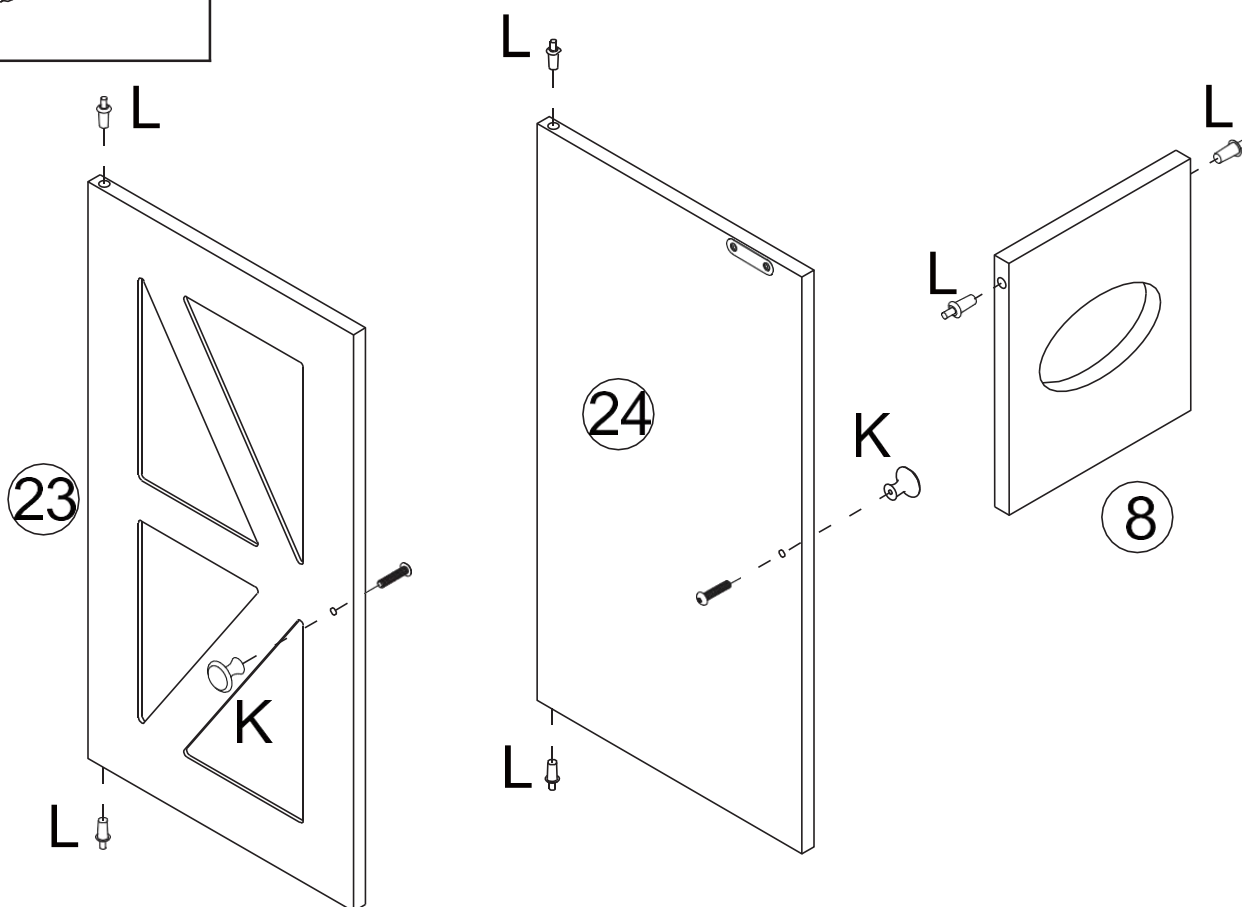
Insert ① into the screw hole as shown in the figure.

Place ⑥ and ⑱ on ① respectively.

Place ⑨ on the support frame in the figure.

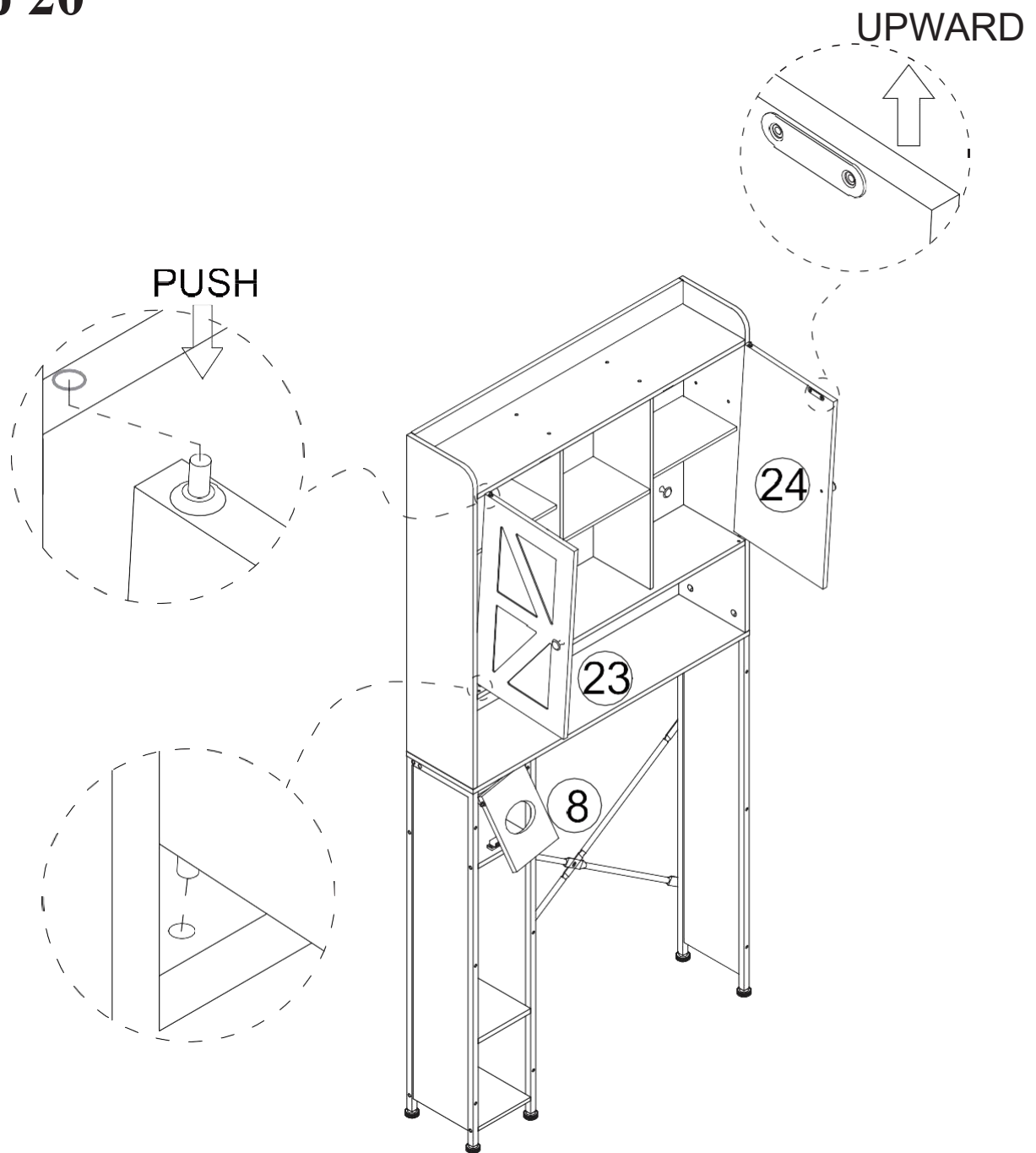
Step 19

⑧	②③	②④	K	L
				
x1	x1	x1	x2	x6
W				
				



Use the components in accessory ①K to install the door handle in ②③ and ②④ .
 Insert ①L into the door panel shaft holes of ①⑧, ②③ and ②④ .

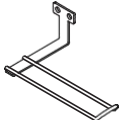
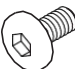
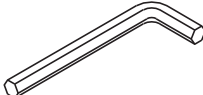
Step 20

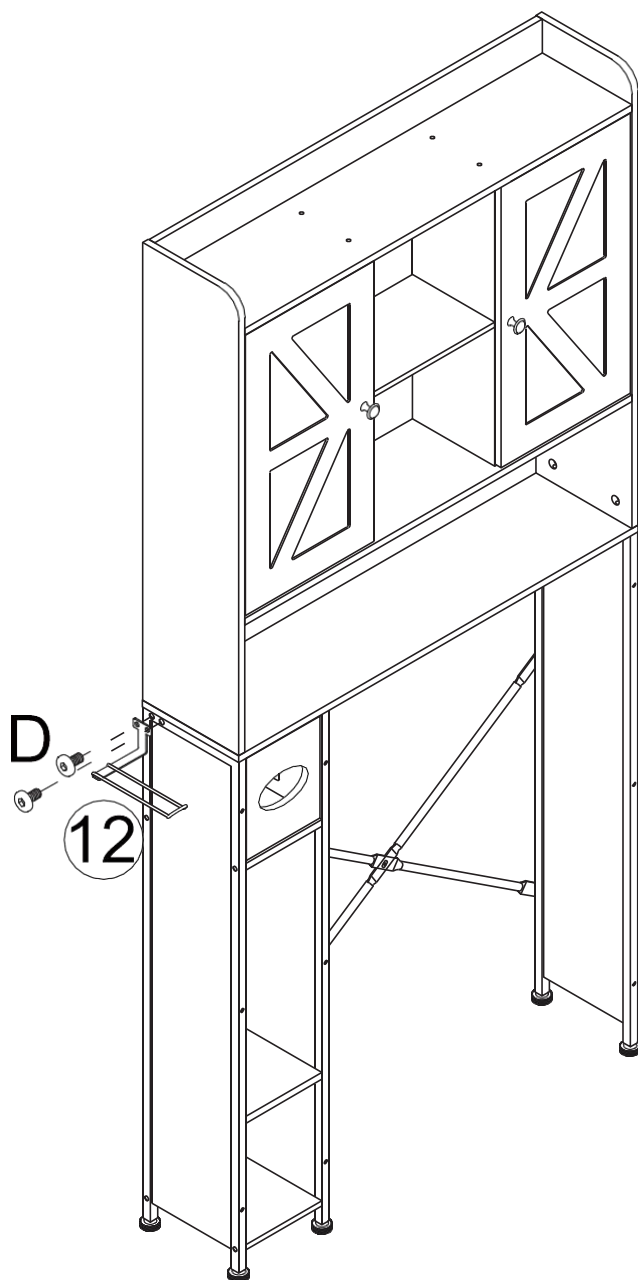


Insert one end of door rotating shaft into the shaft hole, and press the other end by hand so that door rotating shaft can be inserted into the shaft hole.

⚠ NOTE: if you may find the doors are not aligned, please refer to step 9 to adjust the tightness and position of screw.

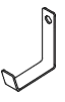
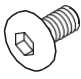
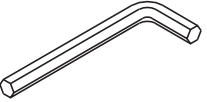
Step 21

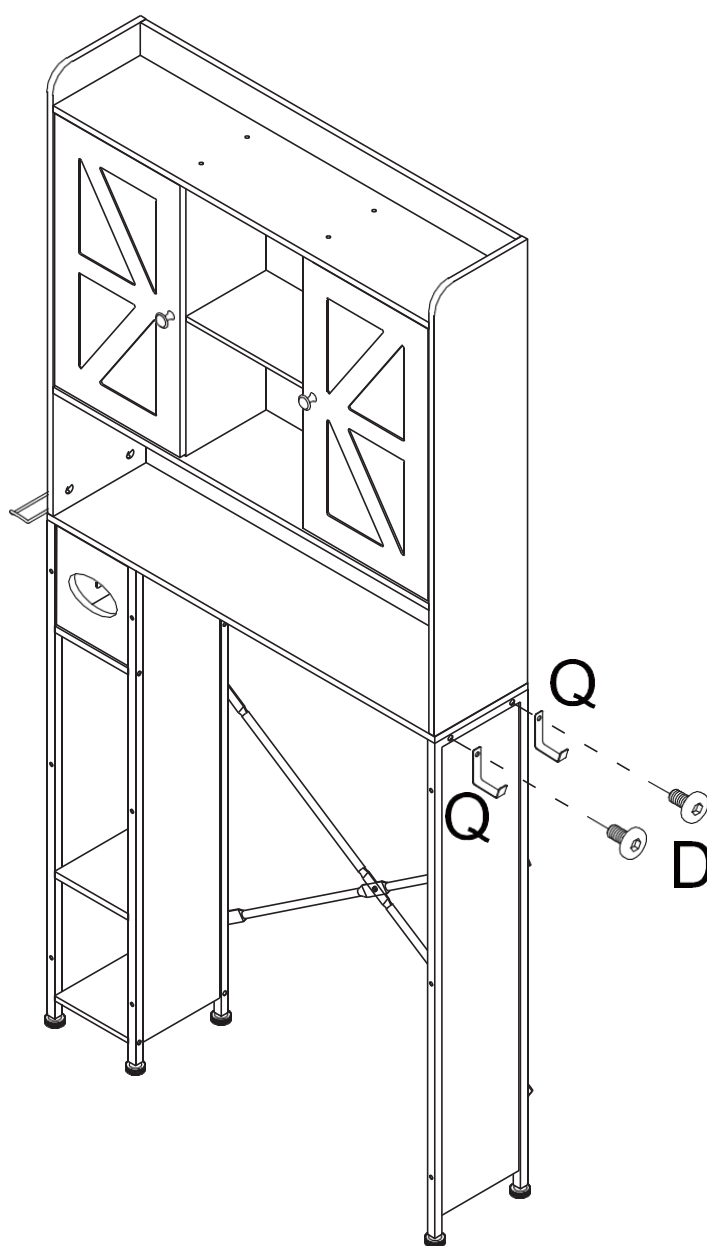
⑫	D	T
 x1		






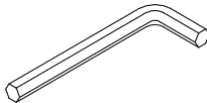
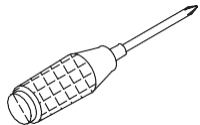
Use ① to fix ⑫ on the side frame of the toilet rack.

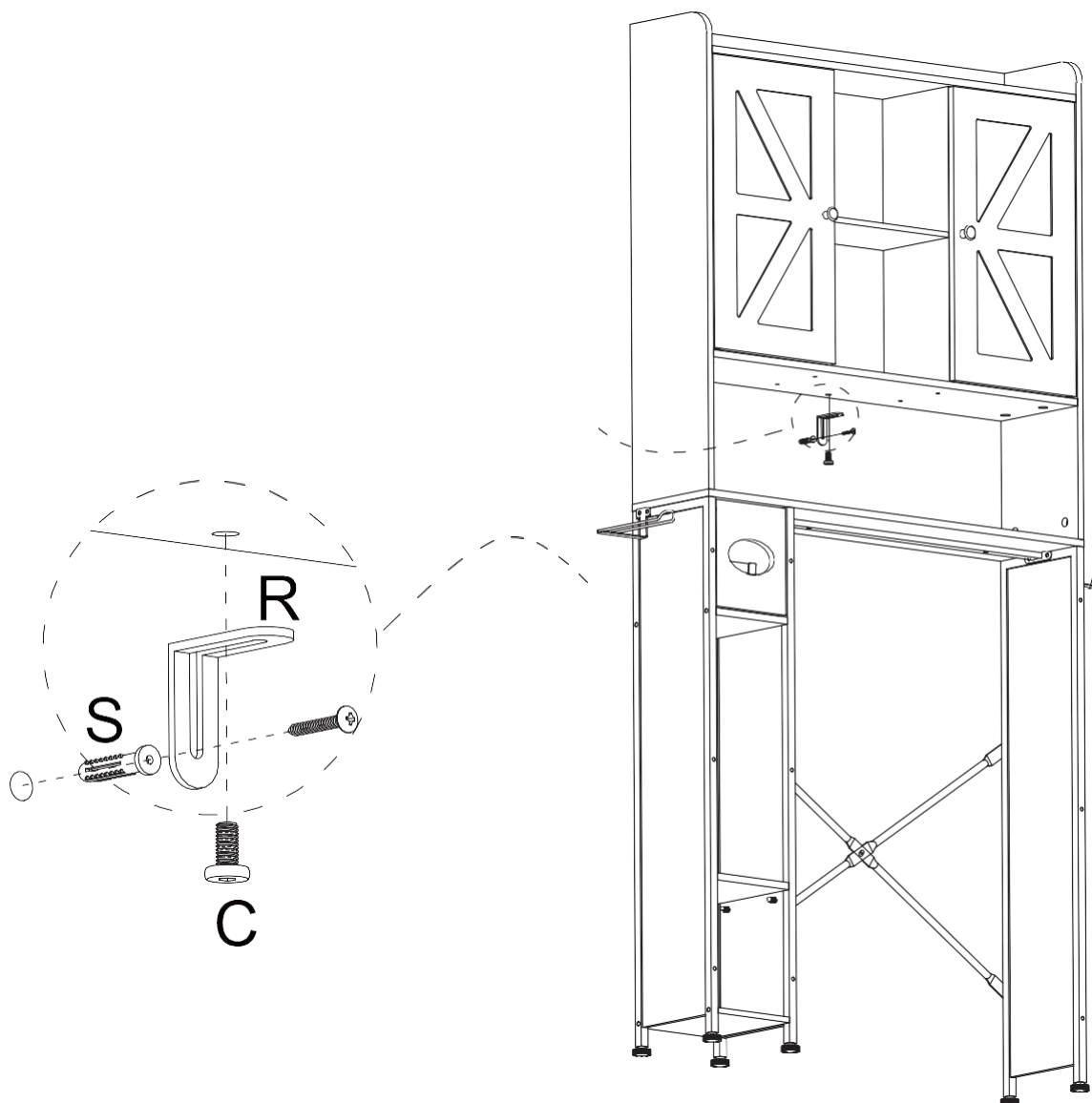
Step 22

Q	D	T
		
x2	x2	



Use ① to fix ② on the side frame of the toilet rack.

C	R	S	T	W
				
x1	x1	x1		



Use (C), (S), and (R) to fix the toilet rack on the wall to prevent it from tipping over.