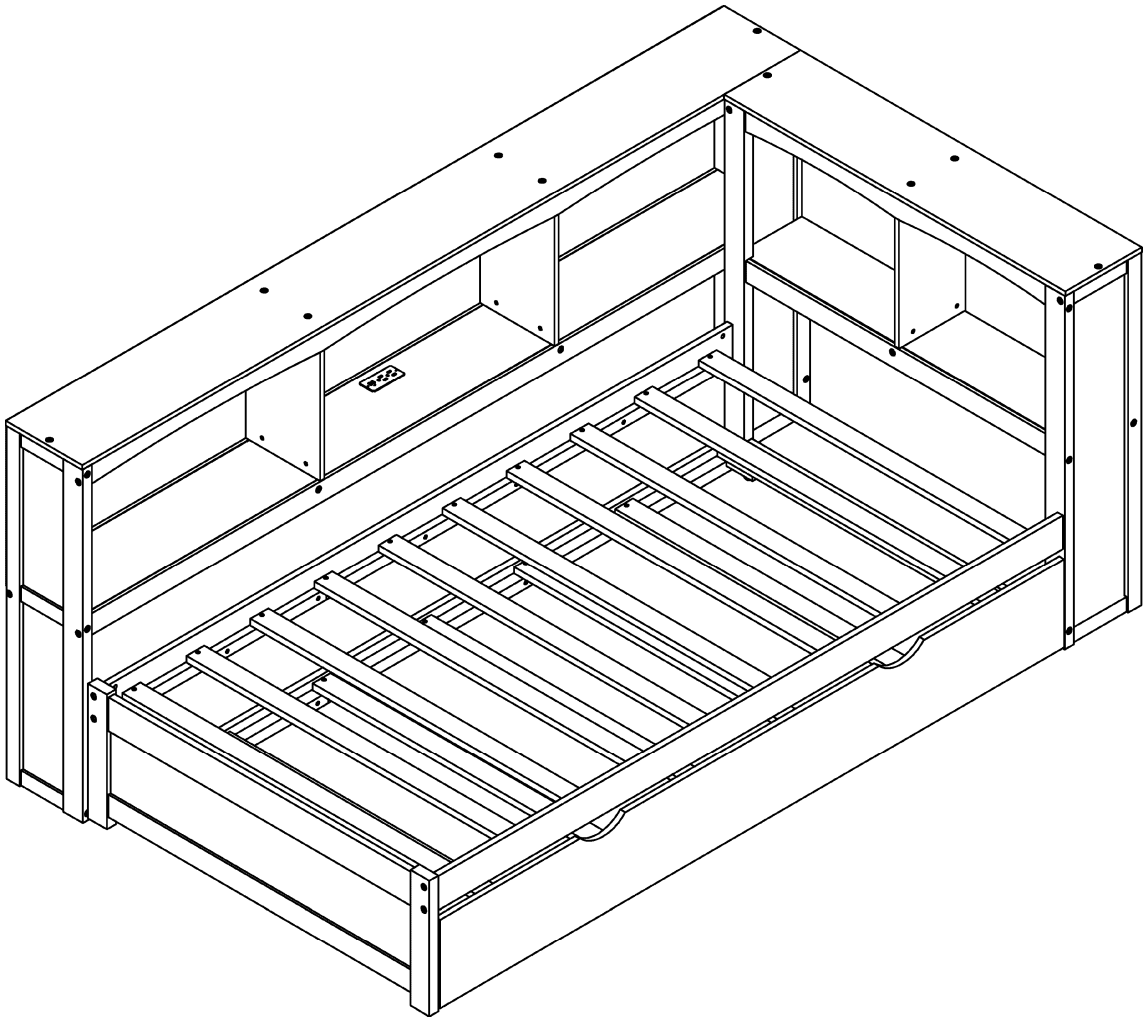
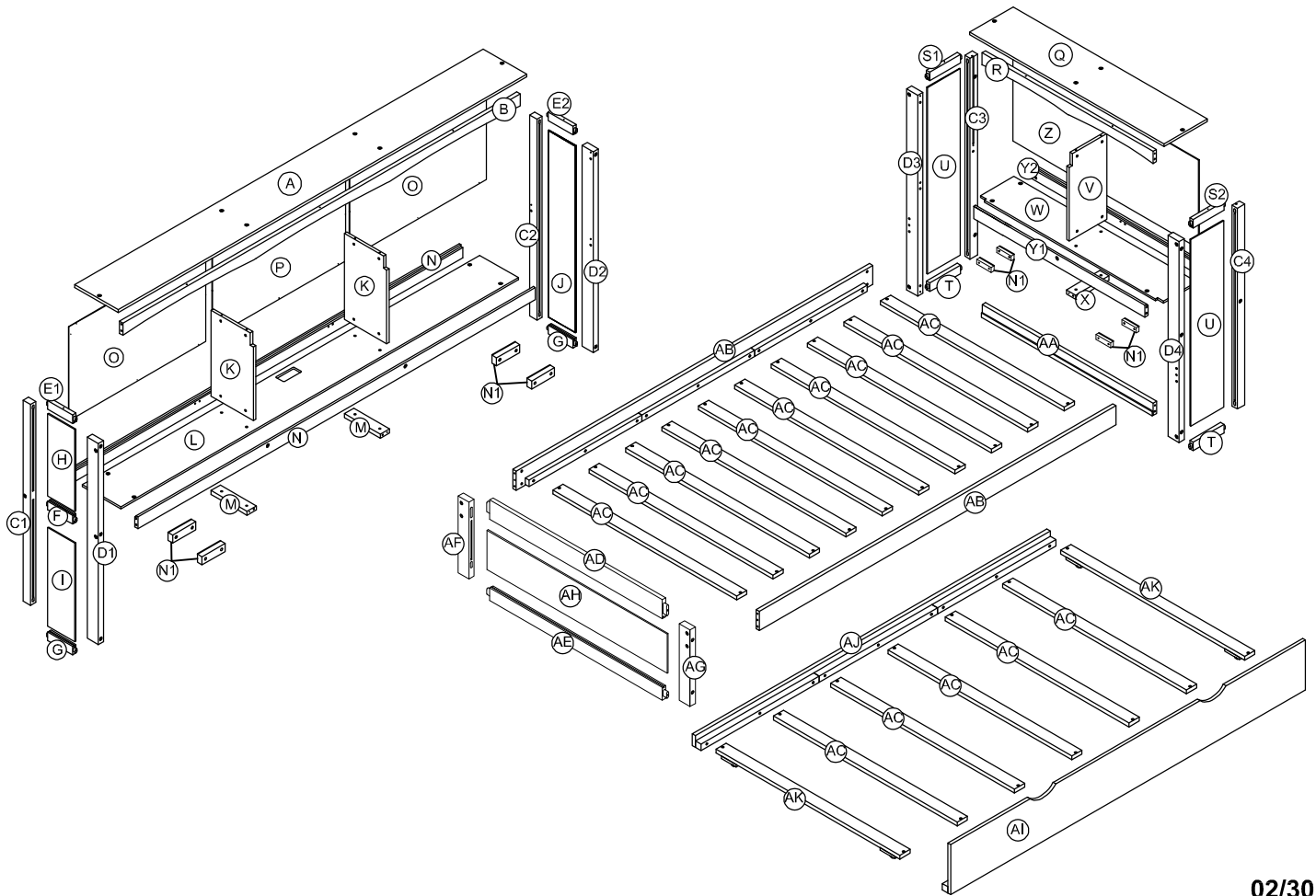






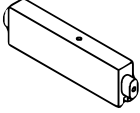
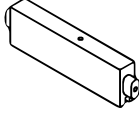
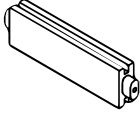
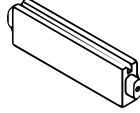
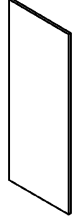


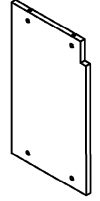
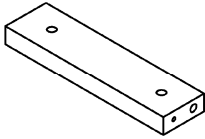
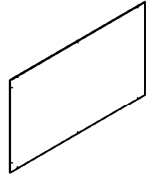
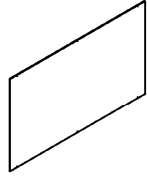
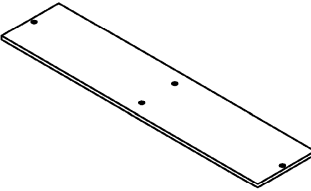
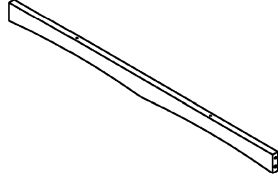
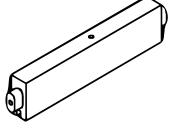
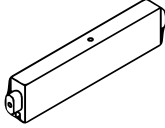
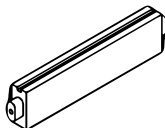
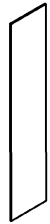
# ASSEMBLY INSTRUCTION



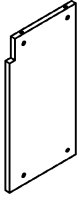
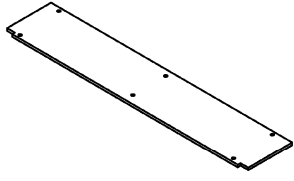
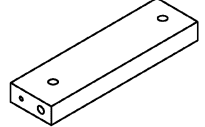


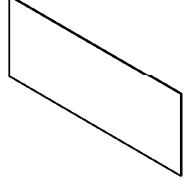

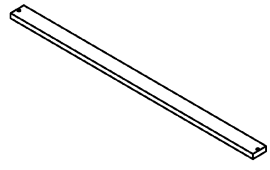

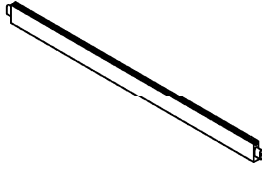
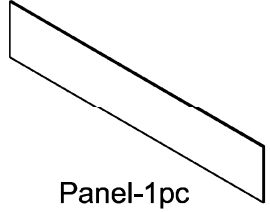
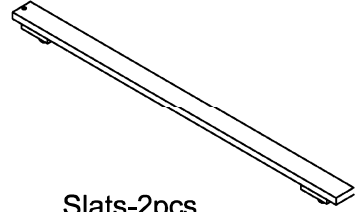
# ASSEMBLY INSTRUCTION



# Part List (Box 1)

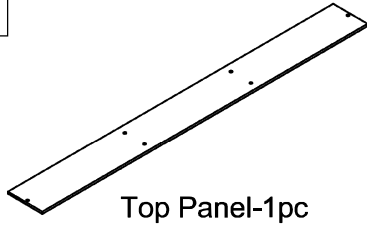
<p>C1</p>  <p>WoodBar-1pc</p>	<p>C2</p>  <p>WoodBar-1pc</p>	<p>C3</p>  <p>WoodBar-1pc</p>
<p>C4</p>  <p>WoodBar-1pc</p>	<p>E1</p>  <p>WoodBar-1pc</p>	<p>E2</p>  <p>WoodBar-1pc</p>
<p>F</p>  <p>WoodBar-1pc</p>	<p>G</p>  <p>WoodBar-2pcs</p>	<p>H</p>  <p>Panel-1pc</p>
<p>I</p>  <p>Panel-1pc</p>	<p>J</p>  <p>Panel-1pc</p>	<p>K</p>  <p>Panel-2pcs</p>
<p>M</p>  <p>WoodBar-2pcs</p>	<p>O</p>  <p>Panel-2pcs</p>	<p>P</p>  <p>Panel-1pc</p>
<p>Q</p>  <p>Top Panel-1pc</p>	<p>R</p>  <p>WoodBar-1pcs</p>	<p>S1</p>  <p>WoodBar-1pc</p>
<p>S2</p>  <p>WoodBar-1pc</p>	<p>T</p>  <p>WoodBar-2pcs</p>	<p>U</p>  <p>Panel-2pcs</p>

# Part List (Box 1)

<b>V</b>  Panel-1pc	<b>W</b>  Panel-1pc	<b>X</b>  WoodBar-1pc
<b>Y1</b>  WoodBar-1pc	<b>Y2</b>  WoodBar-1pc	<b>Z</b>  Panel-1pc
<b>AA</b>  WoodBar-1pc	<b>AC</b>  Slats-15pcs	<b>AD</b>  WoodBar-1pc
<b>AE</b>  WoodBar-1pc	<b>AH</b>  Panel-1pc	<b>AK</b>  Slats-2pcs

# Part List & Hardware (Box 2)

A



Top Panel-1pc

B



WoodBar-1pc

D1



WoodBar-1pc

D2



WoodBar-1pc

D3



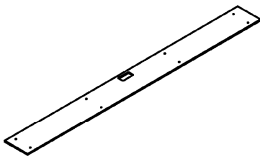
WoodBar-1pc

D4



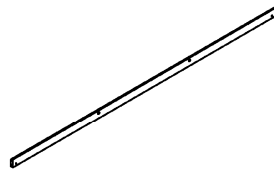
WoodBar-1pc

L



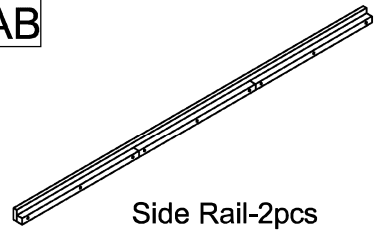
Panel-1pc

N



WoodBar-2pcs

AB



Side Rail-2pcs

AF



WoodBar-1pc

AG



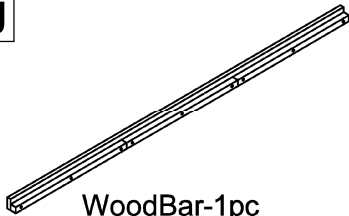
WoodBar-1pc

AI



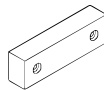
Panel-1pc

AJ



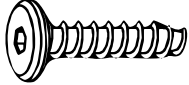
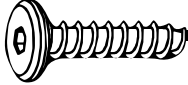




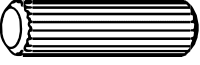
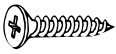





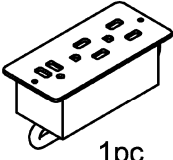
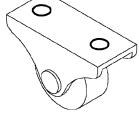
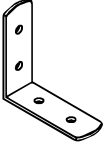
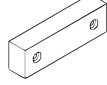

WoodBar-1pc

N1



WoodBar-8pcs




# Hardware List (Box 2)

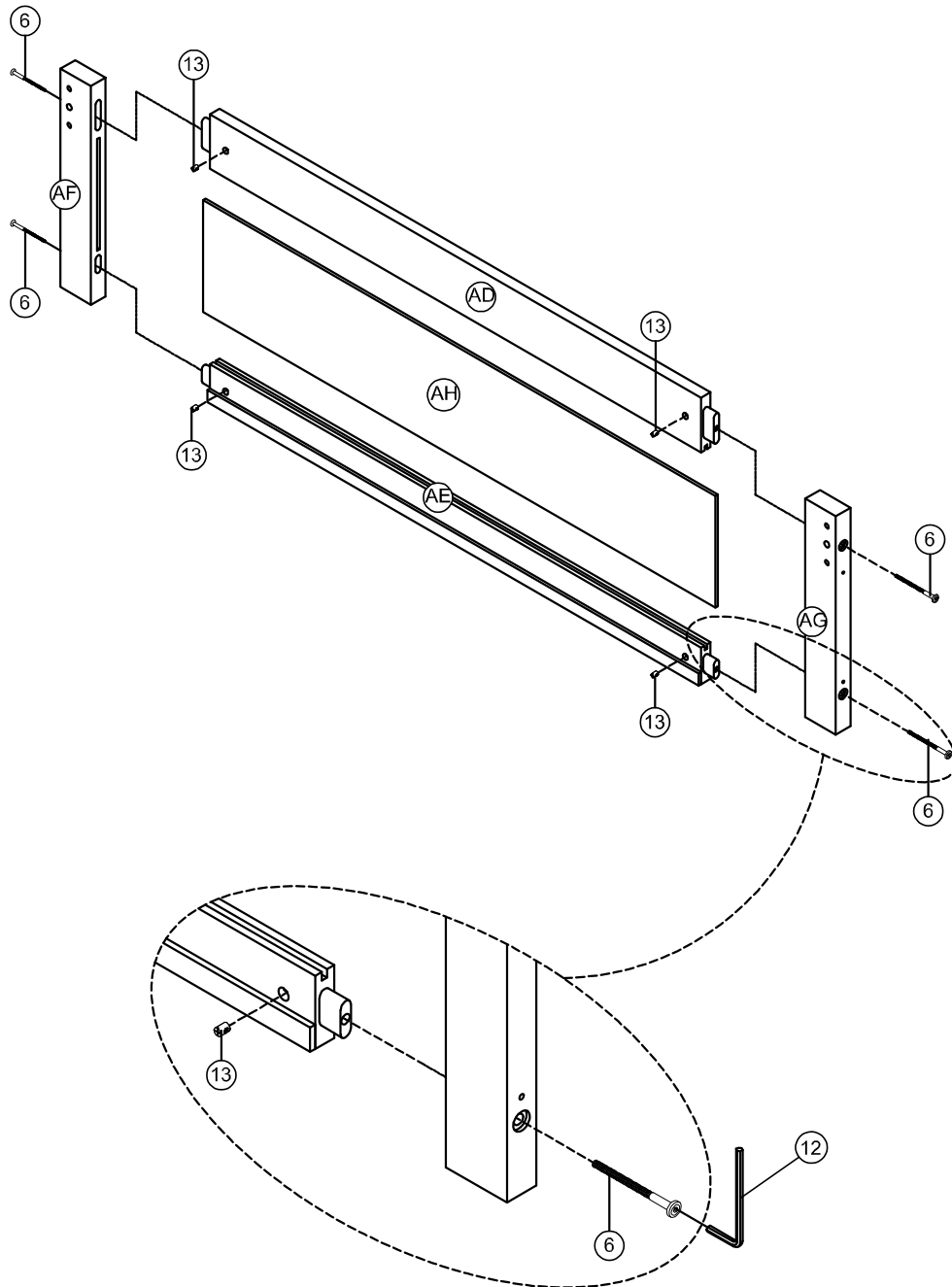
<p>1</p>  <p>Screws 1/4" x 30 4pcs</p>	<p>2</p>  <p>Screws 1/4" x 50 21pcs</p>	<p>3</p>  <p>Screws 1/4" x 80 7pcs</p>
<p>4</p>  <p>Ø1/4" x 60 mm Hex-Head bolst 8pcs</p>	<p>5</p>  <p>Ø1/4" x 70 mm Hex-Head bolst 18pcs</p>	<p>6</p>  <p>Ø1/4" x 100 mm Hex-Head bolst 10pcs</p>
<p>7</p>  <p>Ø10 x 40 Wooden dowel 24pcs</p>	<p>8</p>  <p>M3 x 12 Wood Screws 2pcs</p>	<p>9</p>  <p>M3 x 15 Wood Screws 20pcs</p>
<p>10</p>  <p>M4 x 15 Wood Screws 20pcs</p>	<p>11</p>  <p>M4 x 30 Wood Screws 60pcs</p>	<p>12</p>  <p>Allen Key 1pc</p>
<p>13</p>  <p>Ø1/4" x 13 mm Horizontal-Hole bolts 40pcs</p>	<p>14</p>  <p>1pc</p>	<p>15</p>  <p>Wheel 4pcs</p>
<p>16</p>  <p>Steel Bracket 3pcs</p>	<p>17</p>  <p>WoodBar-2pcs</p>	<p>18</p>  <p>Ø1/4" x 50 mm Hex-Head bolst 6pcs</p>







**Assembly Tools Required (Not Included)**

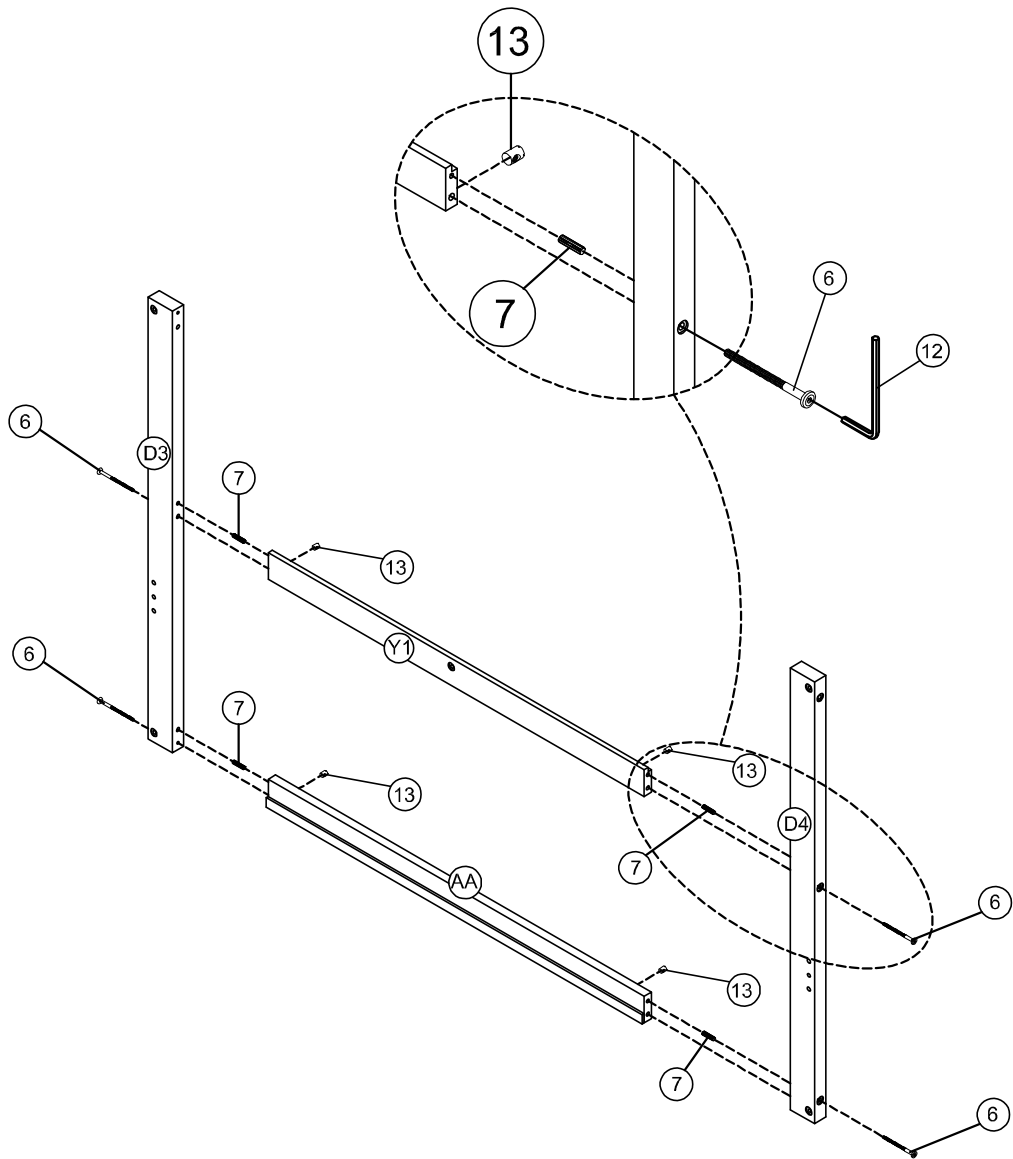
**STEP 1:** Following below illustration.

13 	12 	6 
4pcs	1pc	4pcs







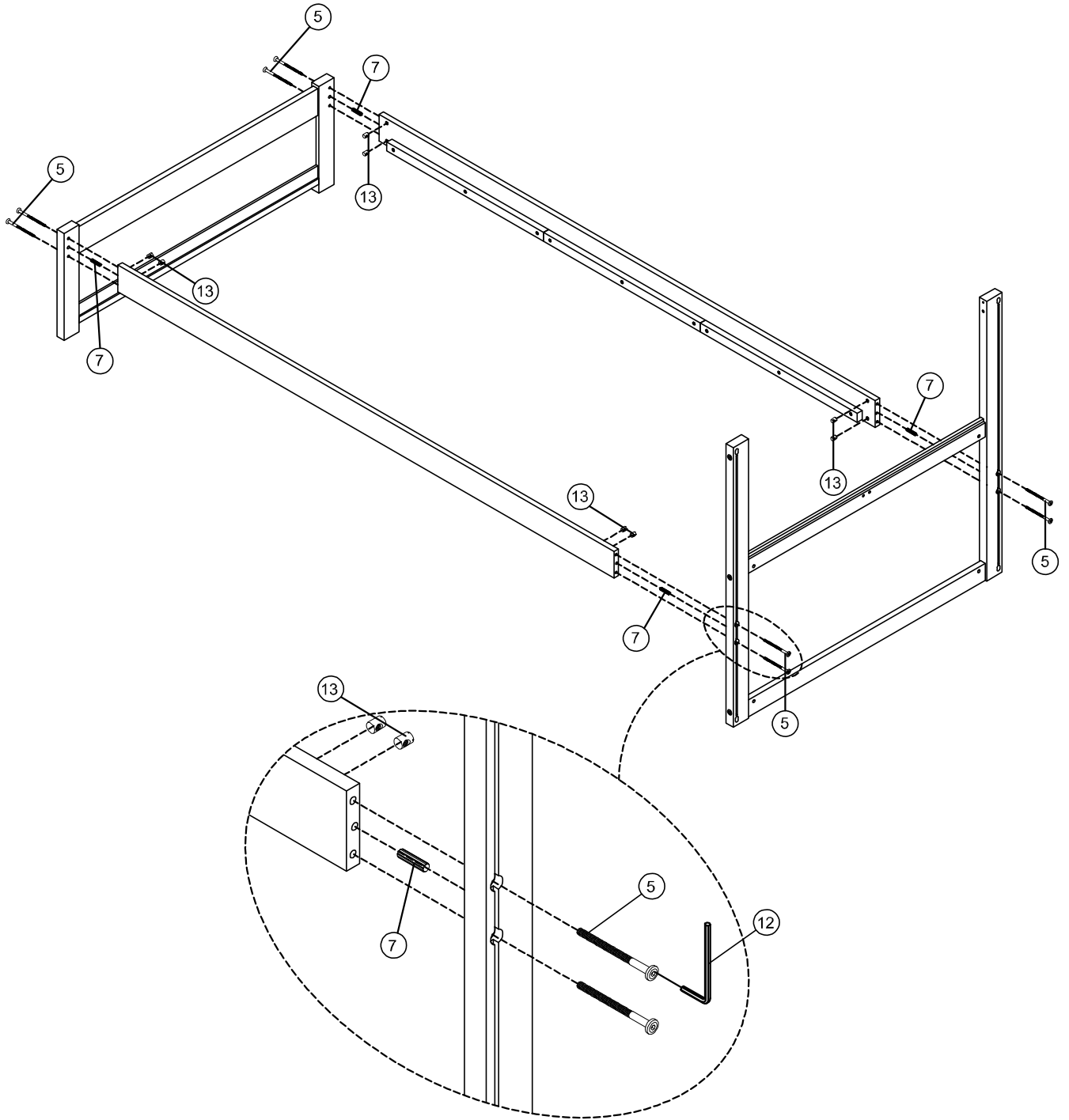
**STEP2:** Following below illustration.

13 	12 	7 	6 
4pcs	1pc	4pcs	4pcs





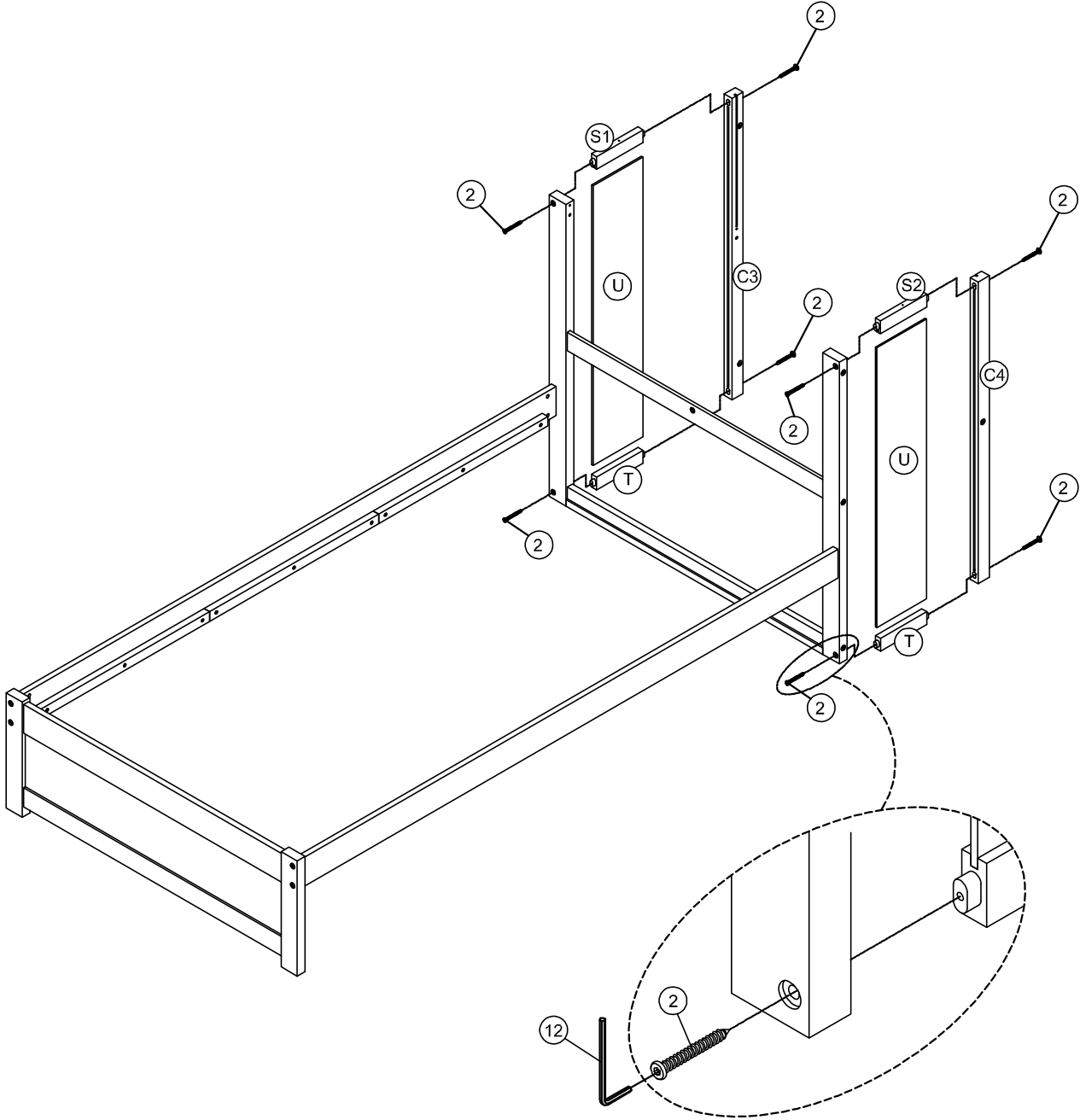
**STEP3:** Following below illustration.

13 	12 	7 	5 
8pcs	1pc	4pcs	8pcs








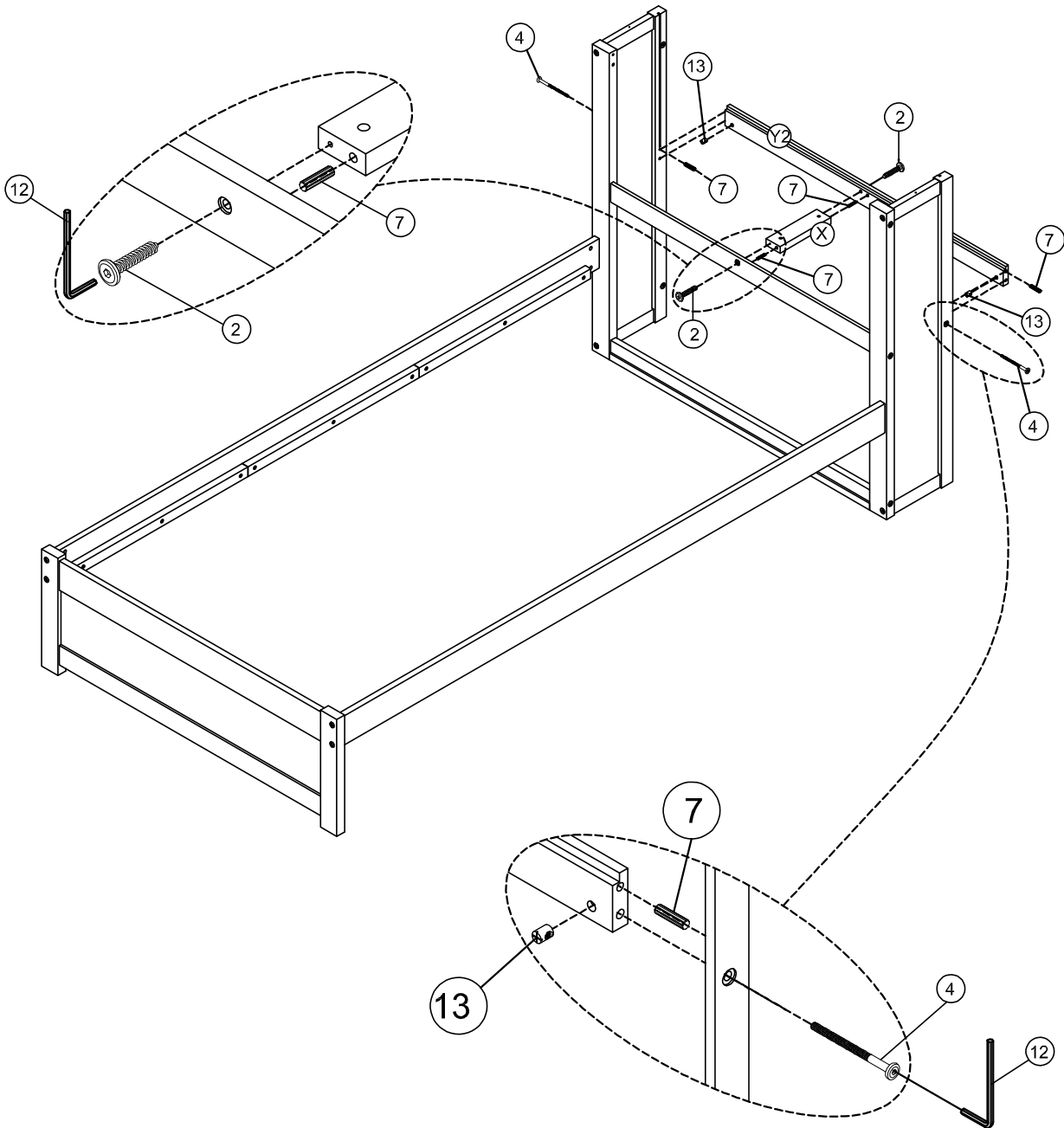
**STEP4:** Following below illustration.

12	2
	
1pc	8pcs



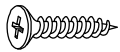
**STEP5:** Following below illustration.

<p>12</p> 	<p>7</p> 	<p>4</p> 	<p>2</p> 
<p>1pc</p>	<p>4pc</p>	<p>2pcs</p>	<p>2pcs</p>
			<p>13</p> 
			<p>2pcs</p>

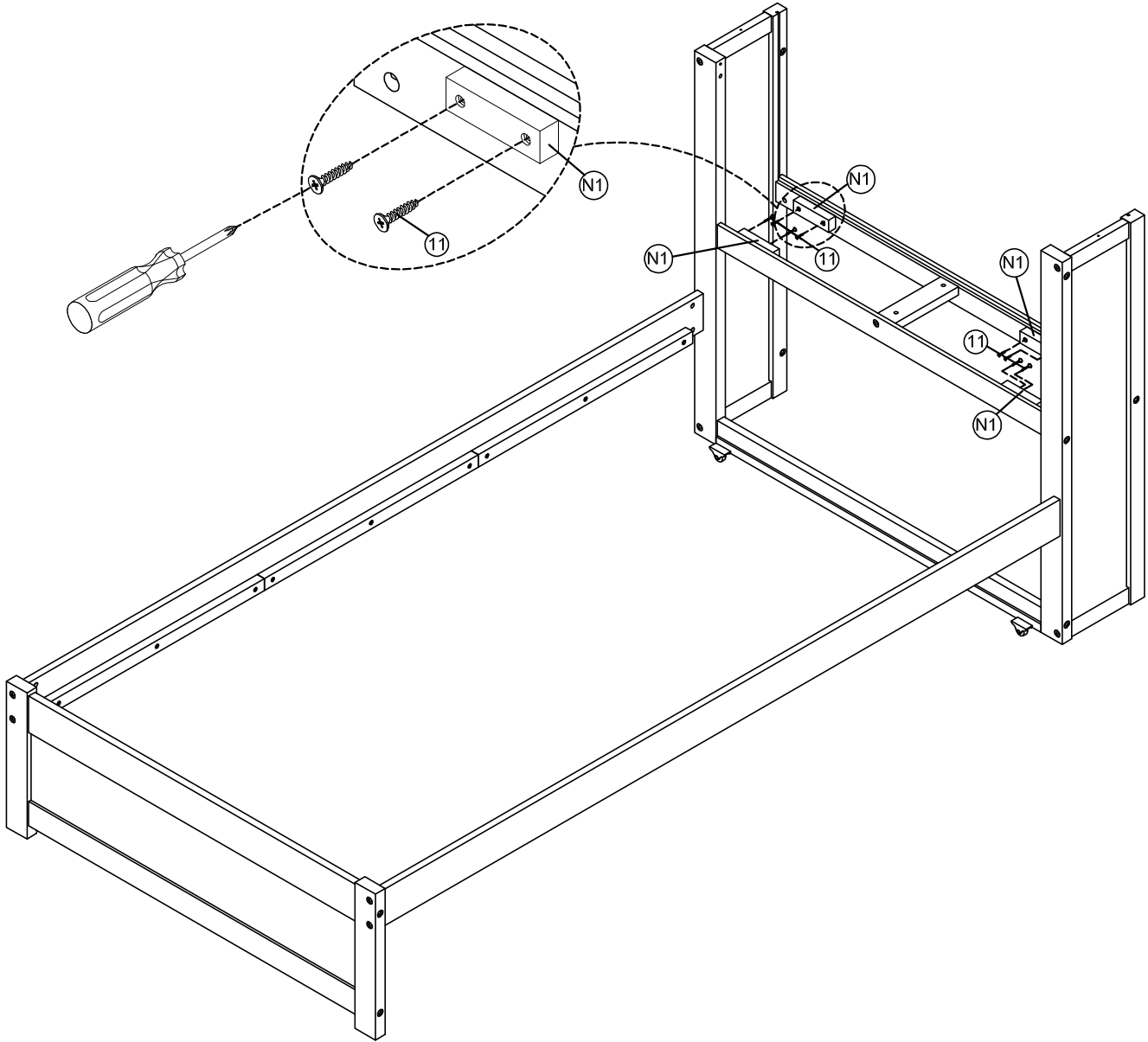


**STEP6:** Following below illustration.

11



8pc

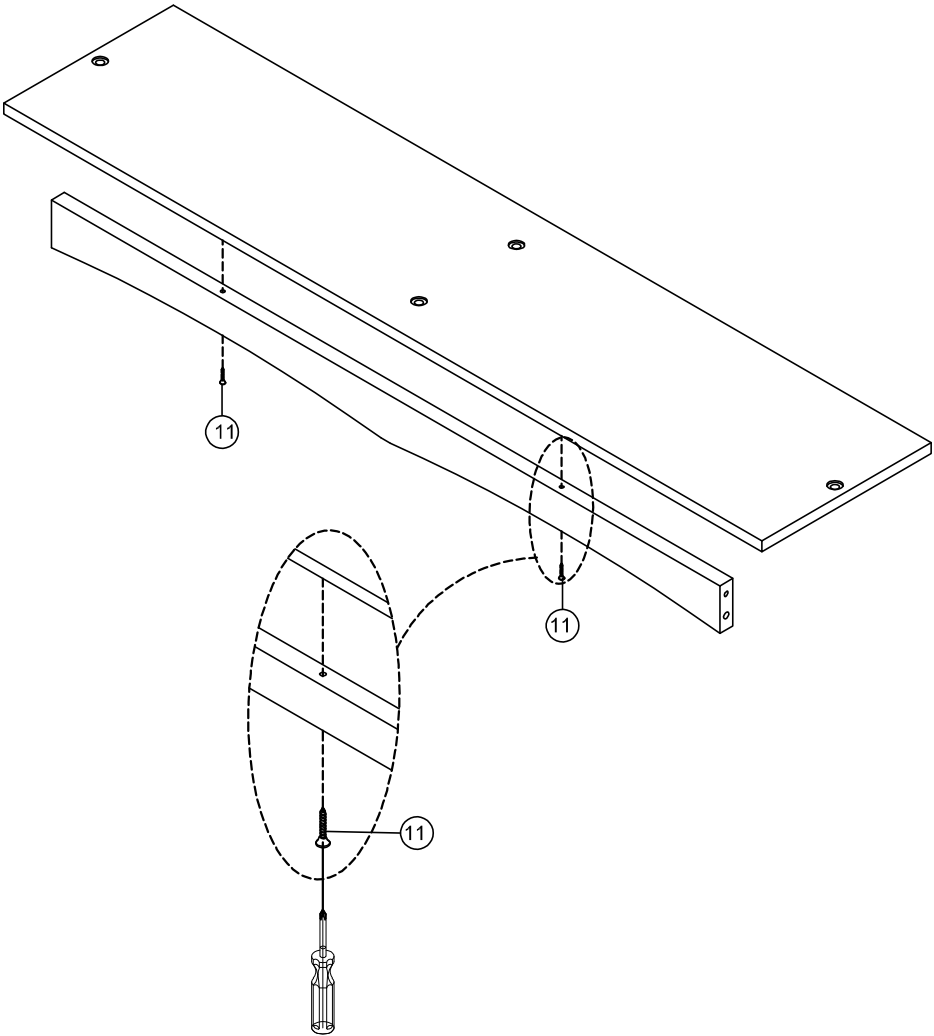


**STEP 7:** Following below illustration.


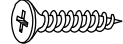


11

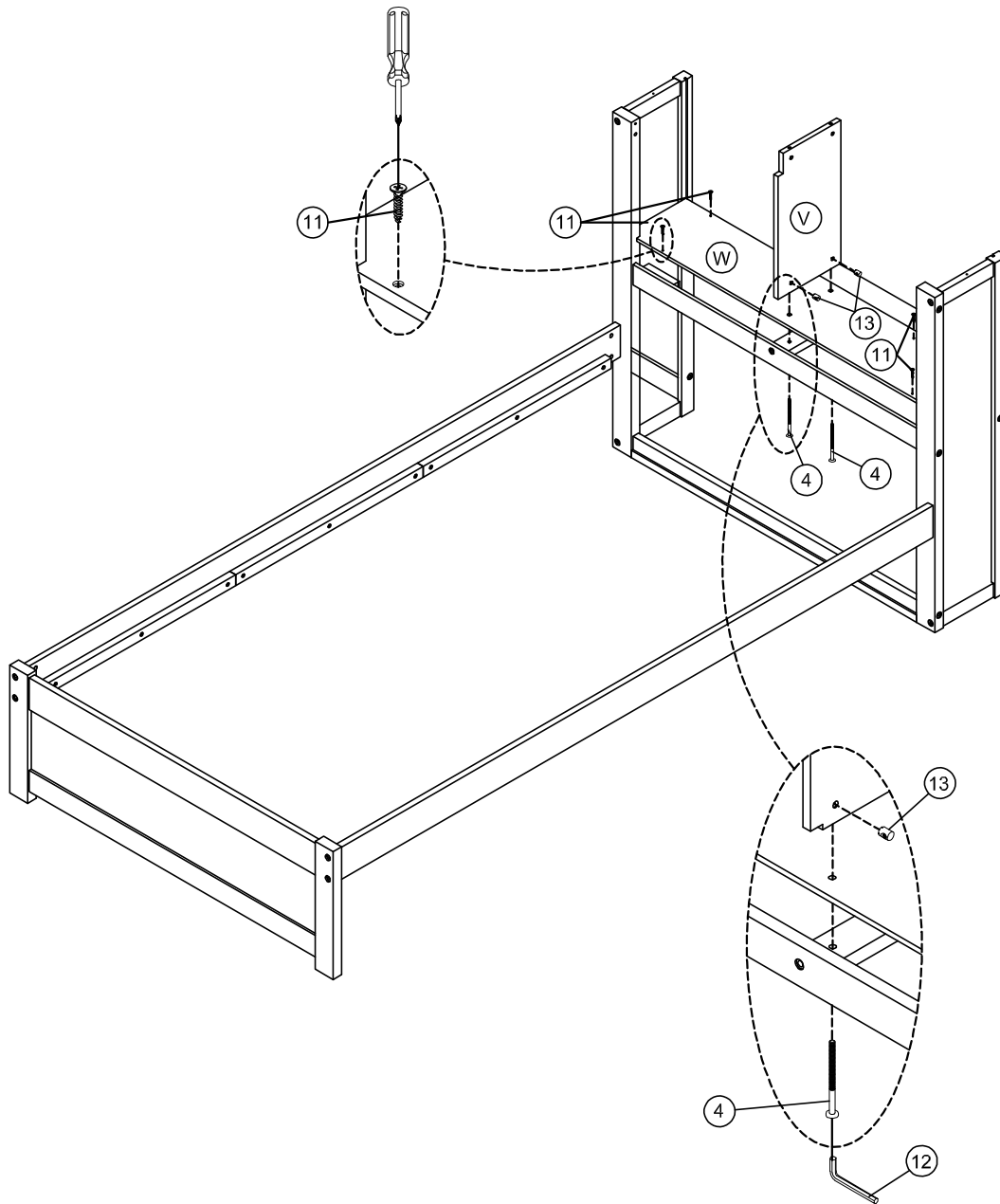


M4 x 30  
2pcs




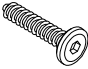




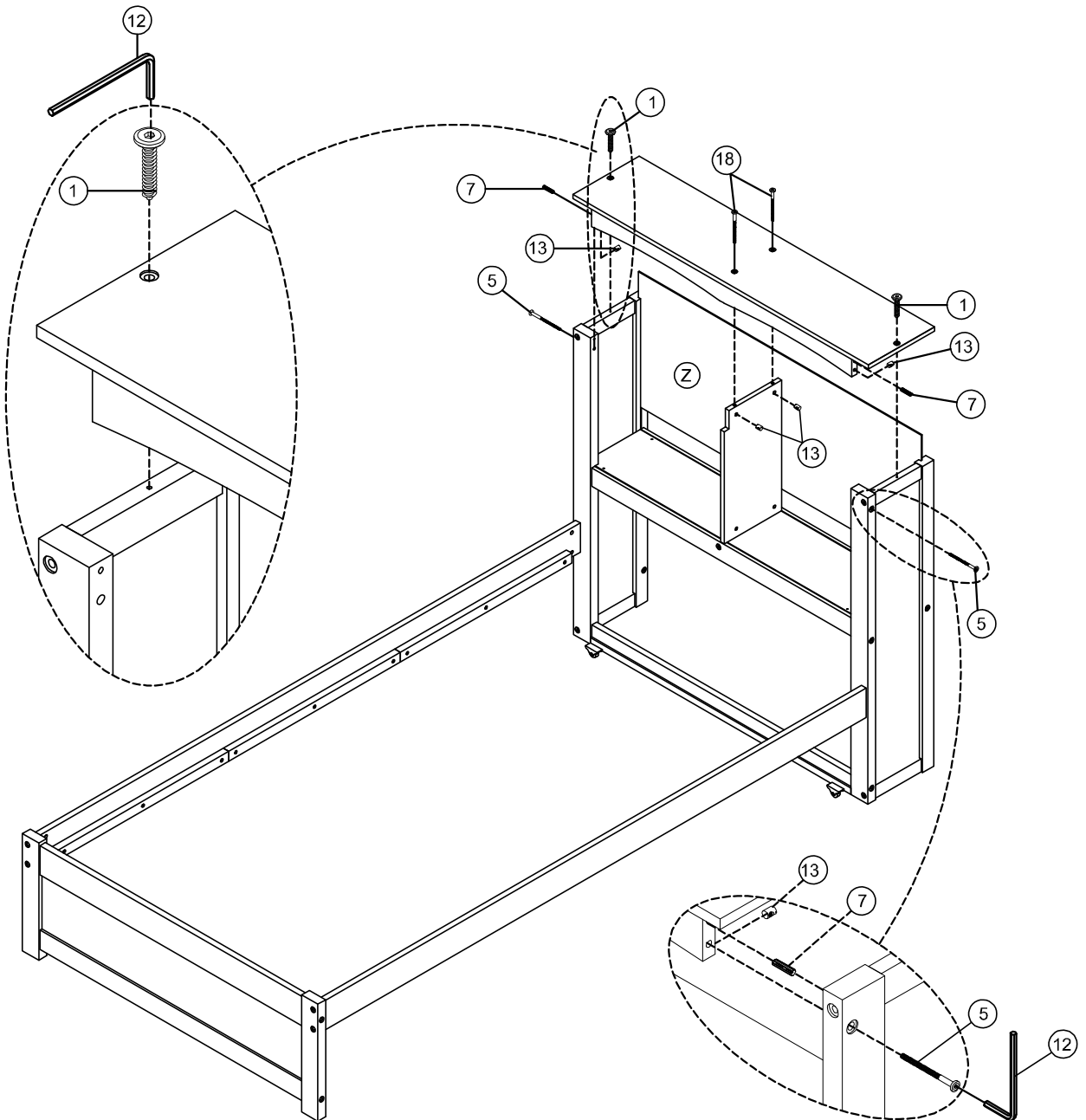
**STEP8:** Following below illustration.

12 	11 	4 
1pc	4pcs	2pcs
13 		
2pcs		

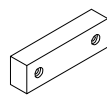




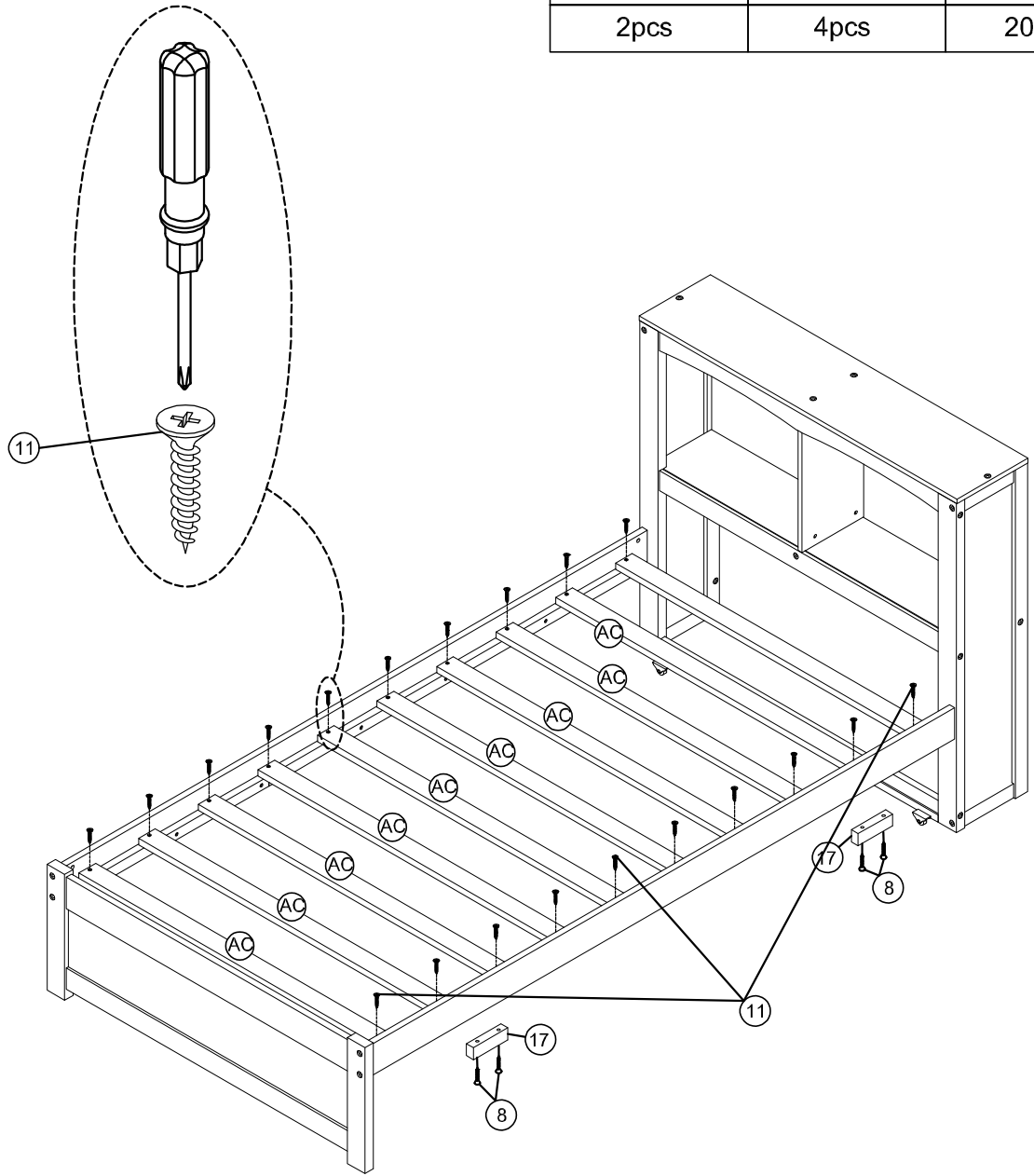
**STEP9:** Following below illustration.

<p>7</p> 	<p>5</p> 	<p>18</p> 	<p>1</p> 
<p>2pcs</p>	<p>2pcs</p>	<p>2pcs</p>	<p>2pcs</p>
<p>13</p> 			<p>12</p> 
<p>4pcs</p>			<p>1pc</p>





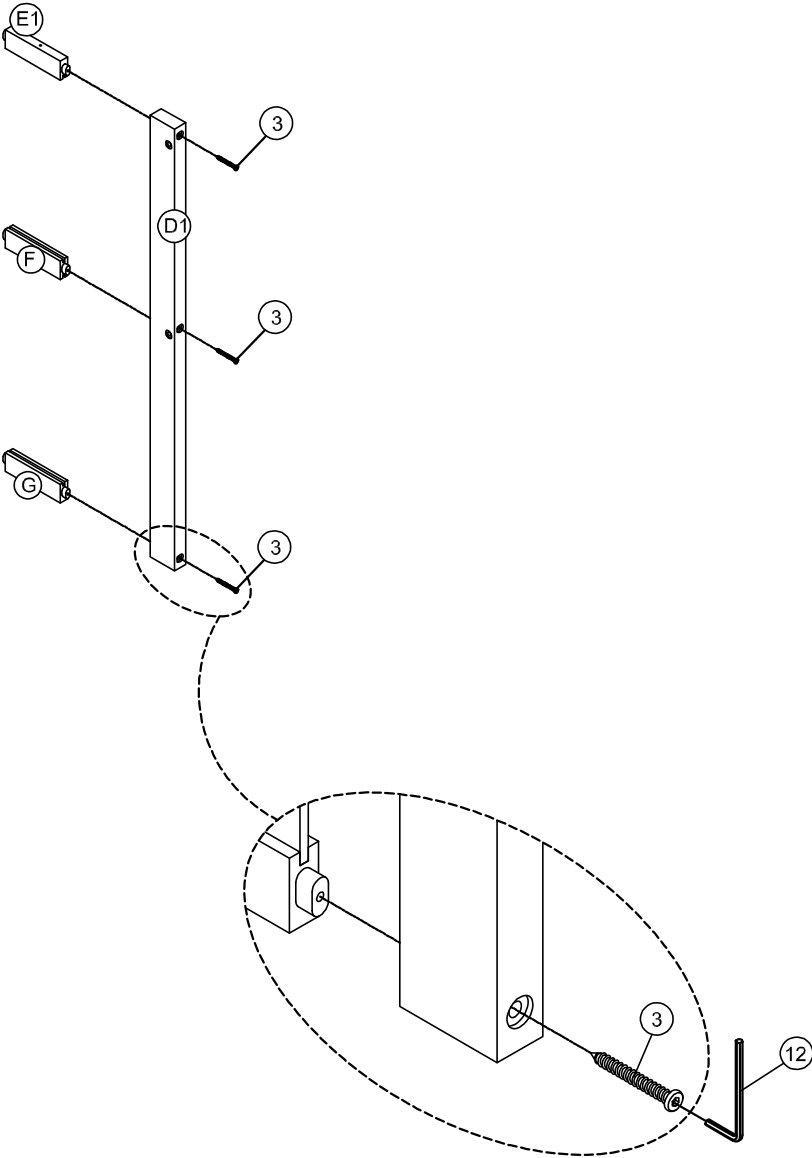
**STEP 10:** Following below illustration.

<b>17</b> 	<b>8</b> 	<b>11</b> 
2pcs	4pcs	20pcs





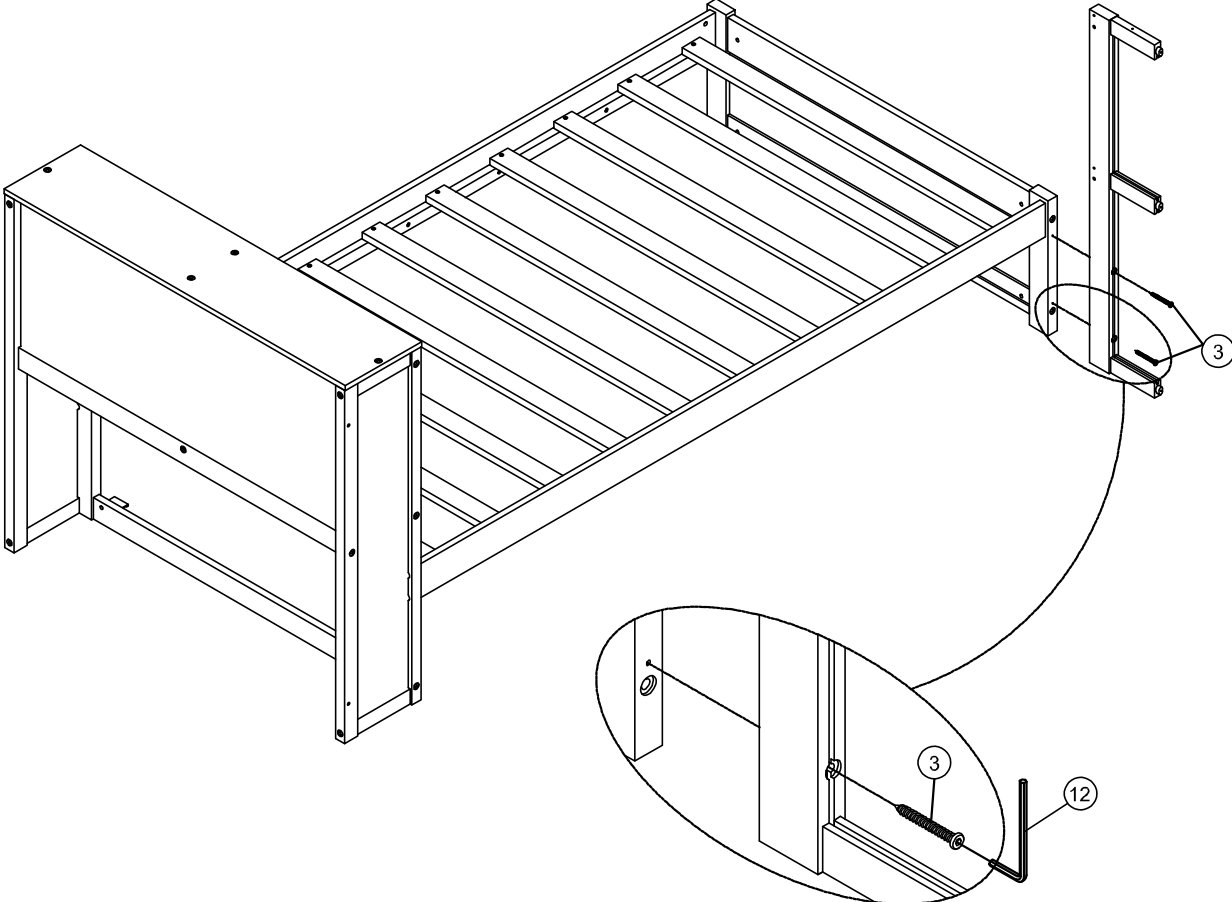
**STEP 11:** Following below illustration.

<b>12</b> 	<b>3</b> 
1pc	3pcs





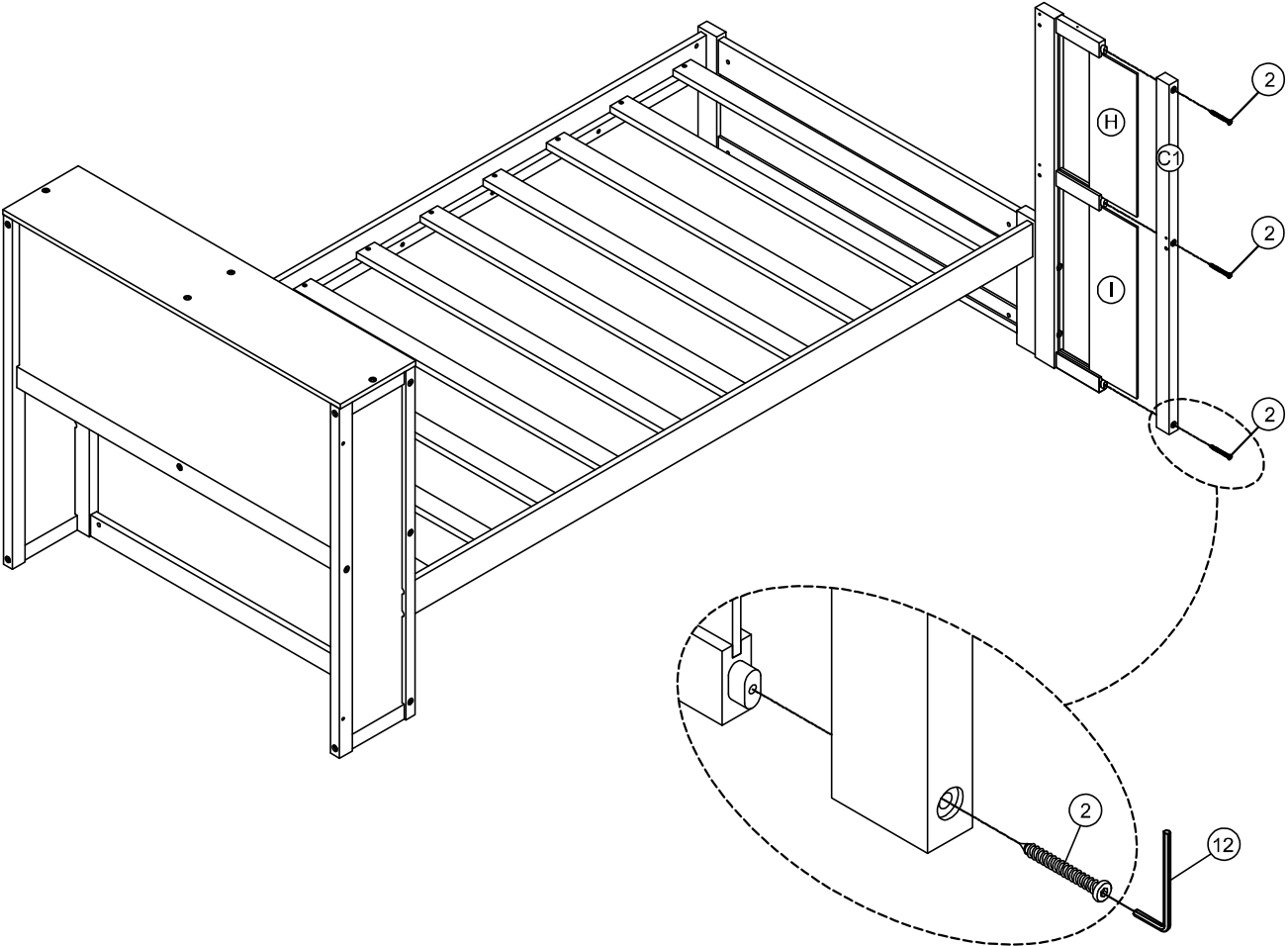
**STEP 12:** Following below illustration.

<b>12</b> 	<b>3</b> 
1pc	2pcs






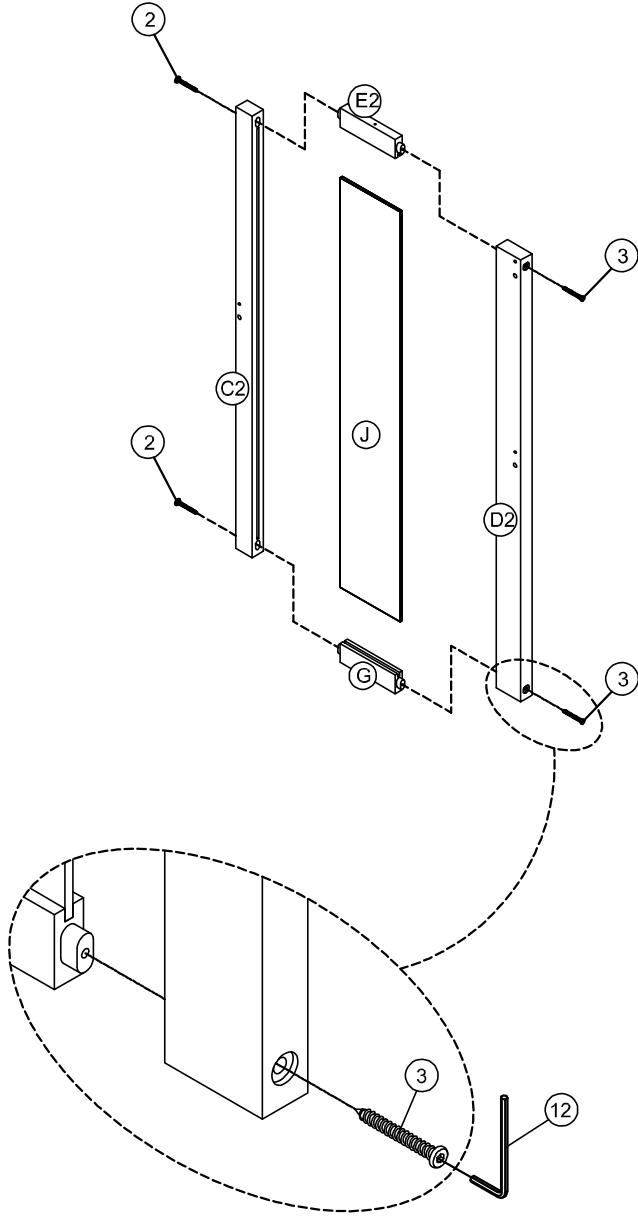
**STEP 13:** Following below illustration.

12	2
	
1pc	3pcs





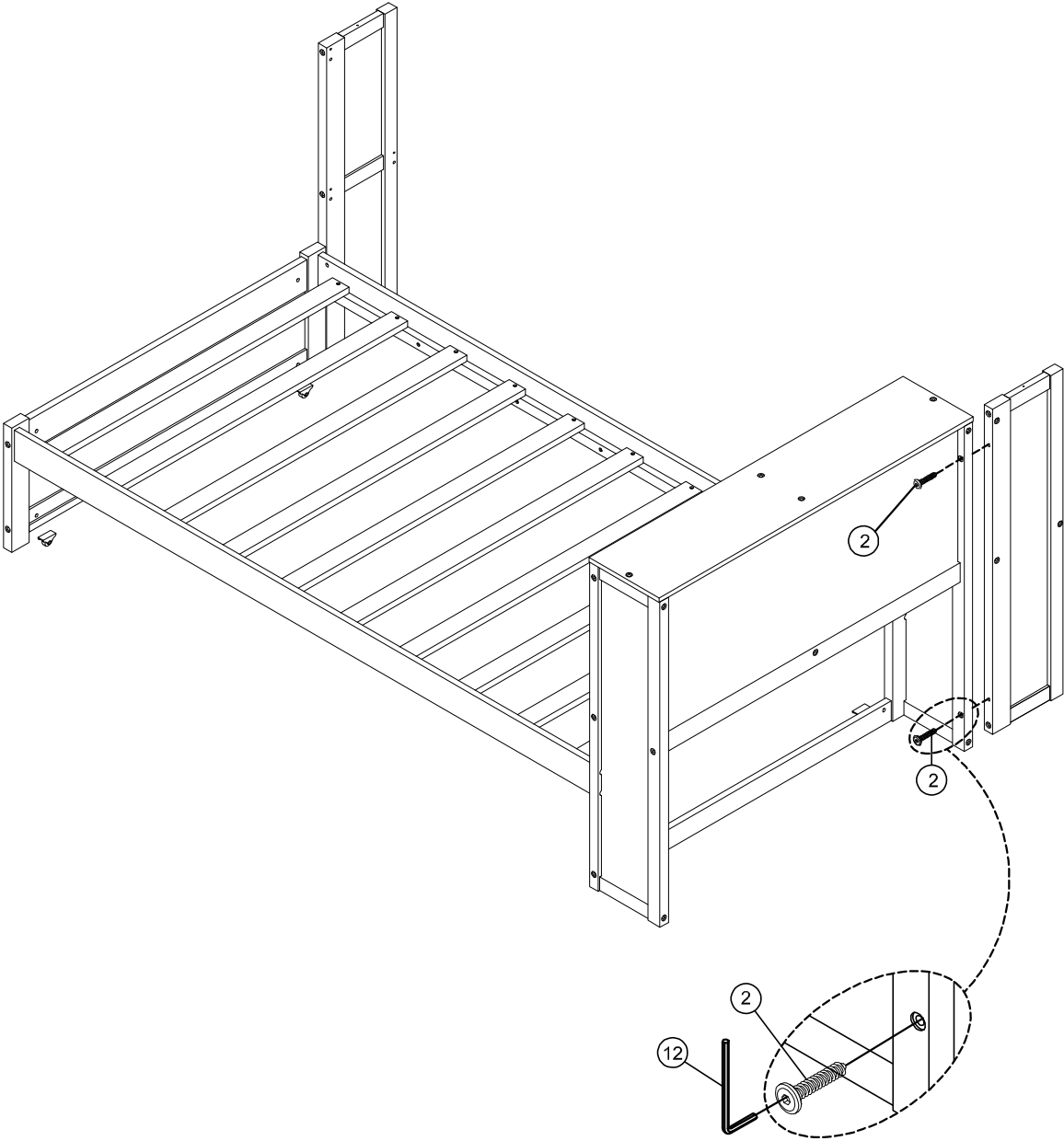
**STEP 14:** Following below illustration.

<b>12</b> 	<b>3</b> 	<b>2</b> 
1pc	2pcs	2pcs



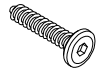



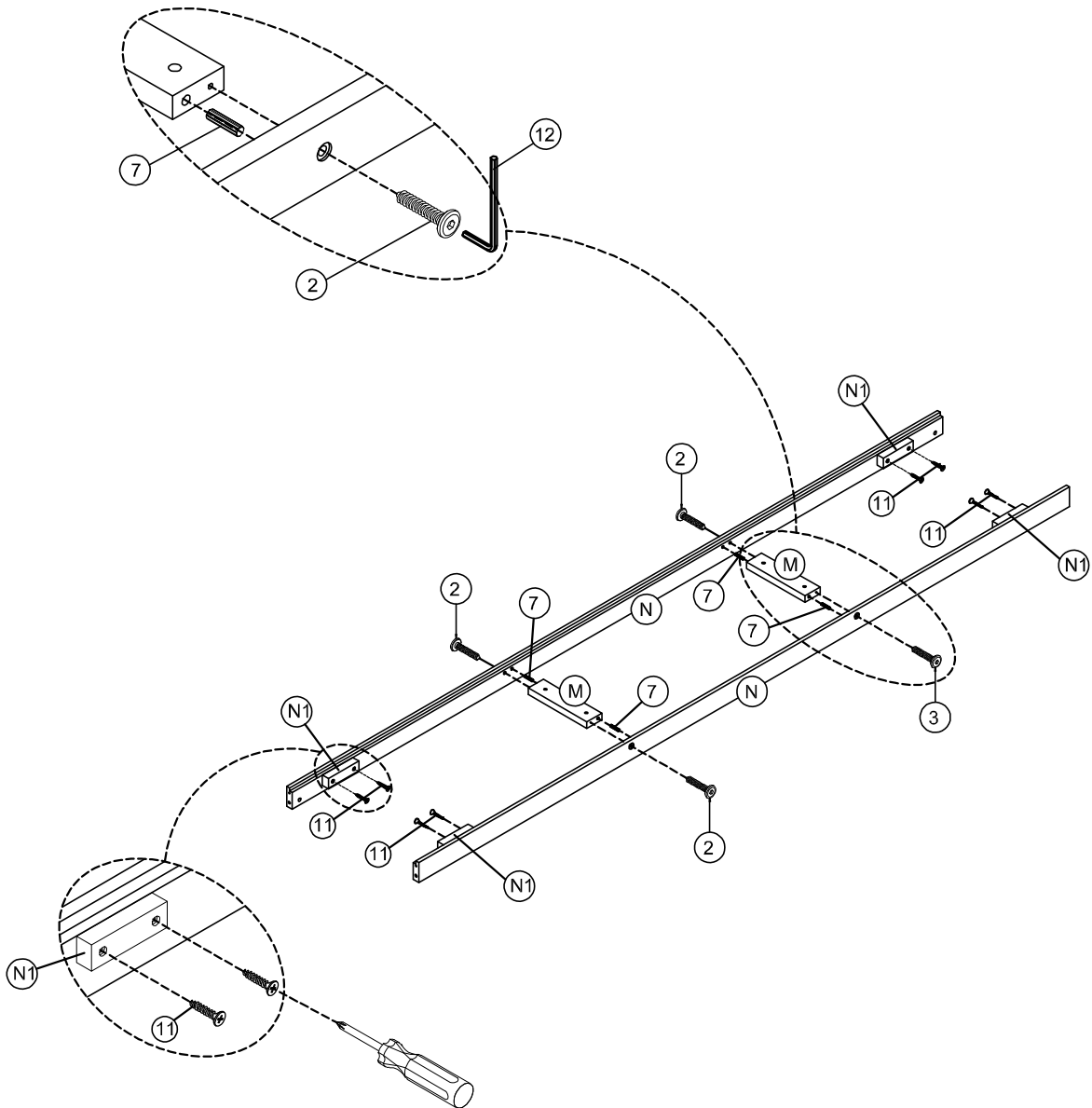
**STEP 15:** Following below illustration.

12 	2 
1pc	2pcs







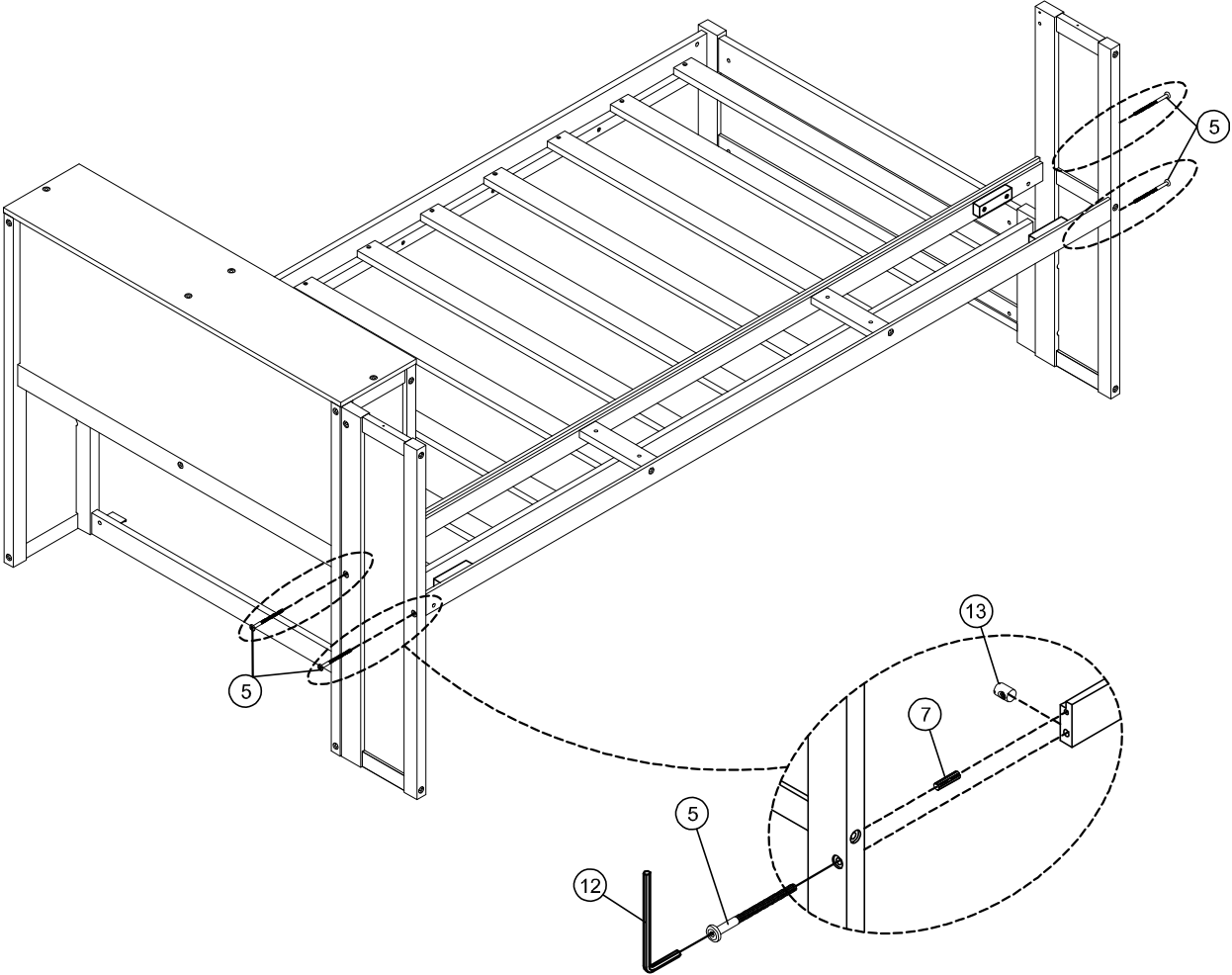
# STEP 16: Following below illustration.

11	7	2
		
8pcs	4pcs	4pcs
12		
		
1pc		



**STEP 17:** Following below illustration.

12 	7 	5 
1pc	4pcs	4pcs
13 		
4pcs		

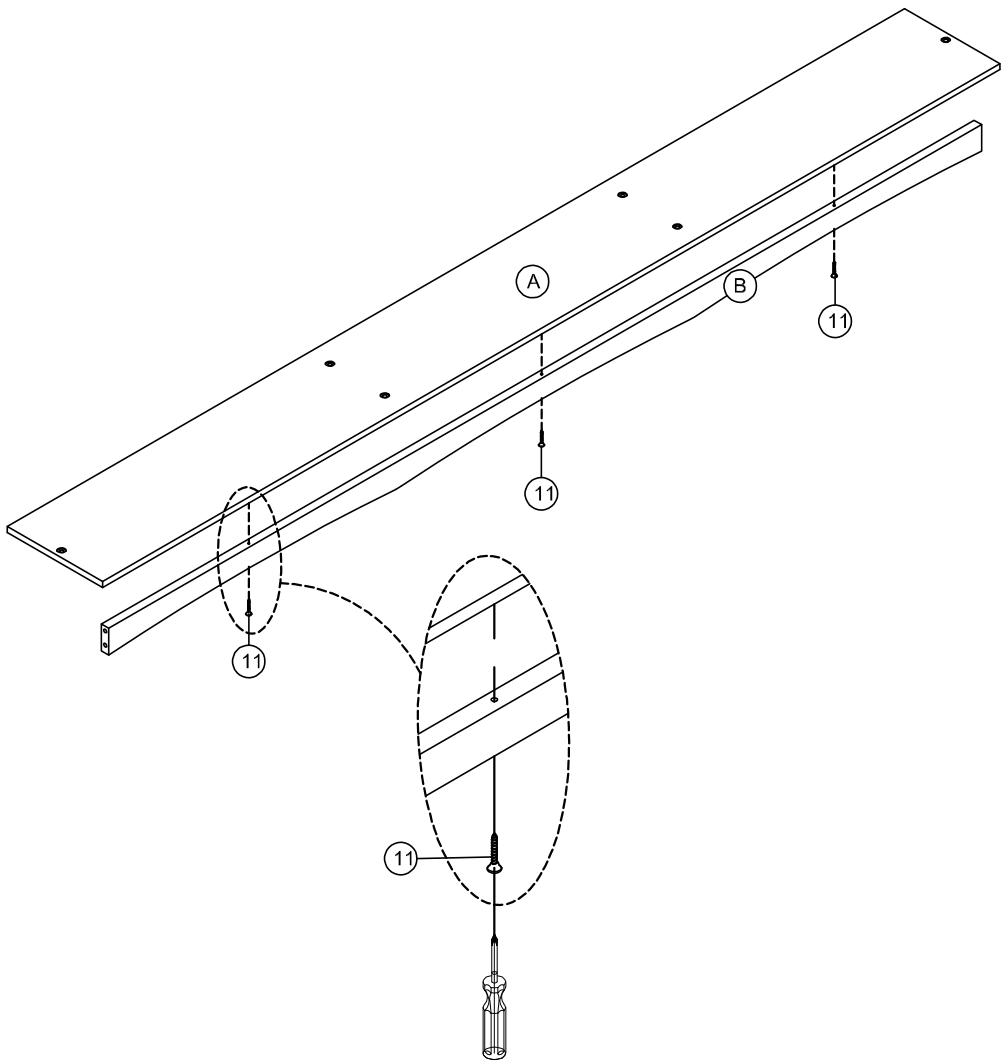


**STEP18:** Following below illustration.


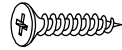

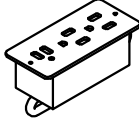


11

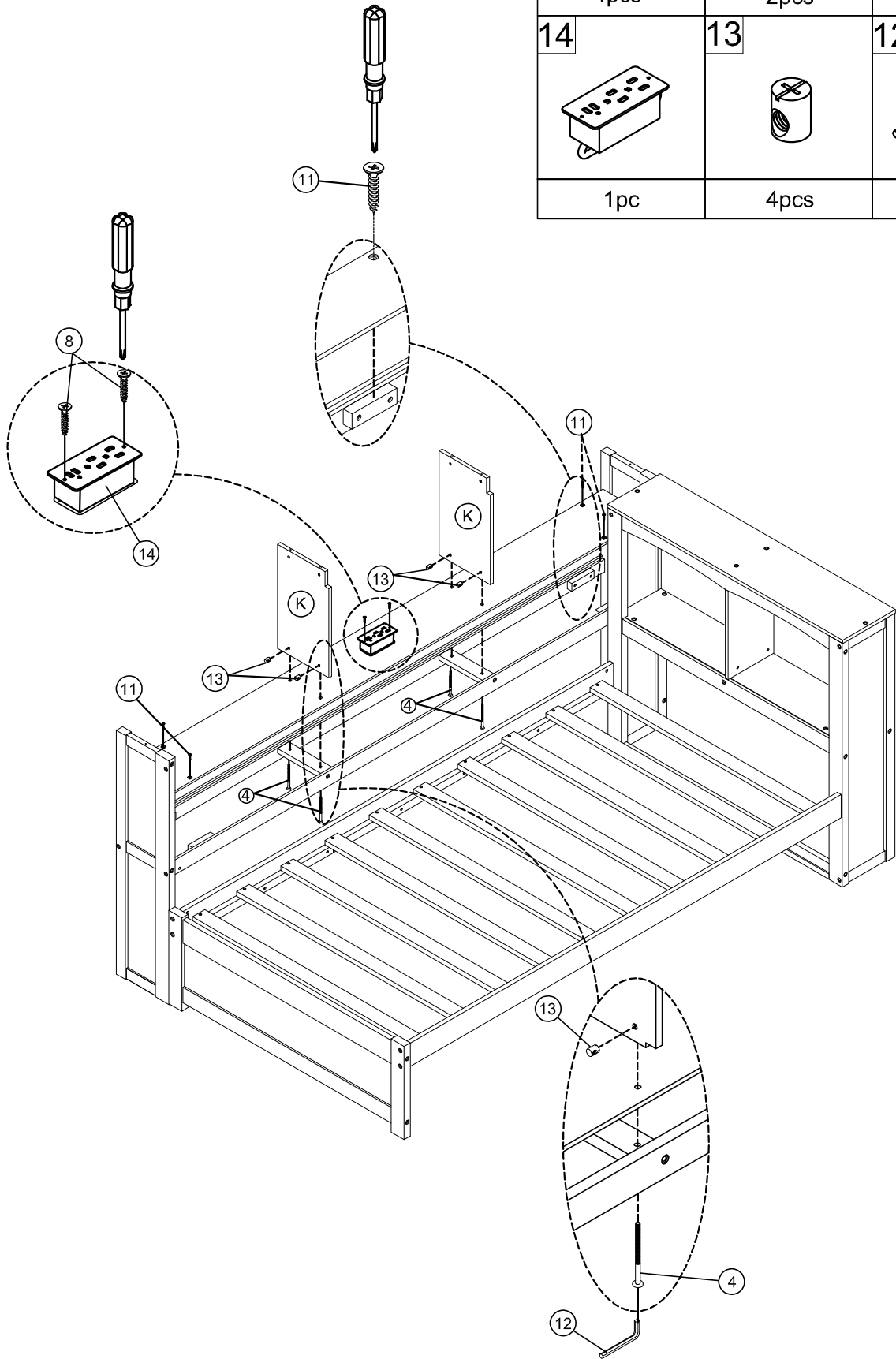


M4 x 30  
3pcs




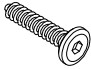




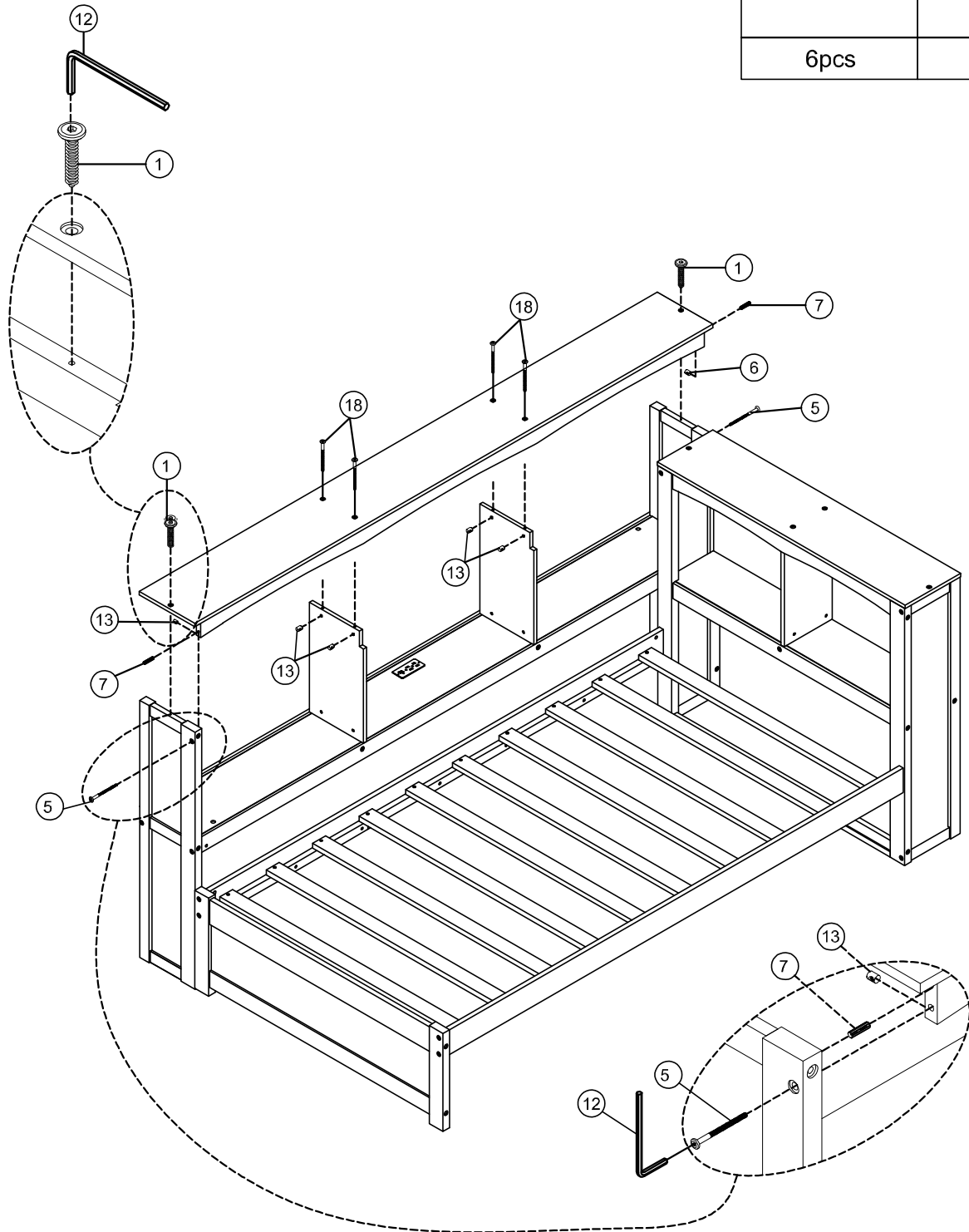
**STEP 19:** Following below illustration.

<p>11</p> 	<p>8</p> 	<p>4</p> 
<p>4pcs</p>	<p>2pcs</p>	<p>4pcs</p>
<p>14</p> 	<p>13</p> 	<p>12</p> 
<p>1pc</p>	<p>4pcs</p>	<p>1pc</p>



**STEP20:** Following below illustration.

<p>7</p> 	<p>5</p> 	<p>18</p> 	<p>1</p> 
<p>2pcs</p>	<p>2pcs</p>	<p>4pcs</p>	<p>2pcs</p>
		<p>13</p> 	<p>12</p> 
		<p>6pcs</p>	<p>1pc</p>

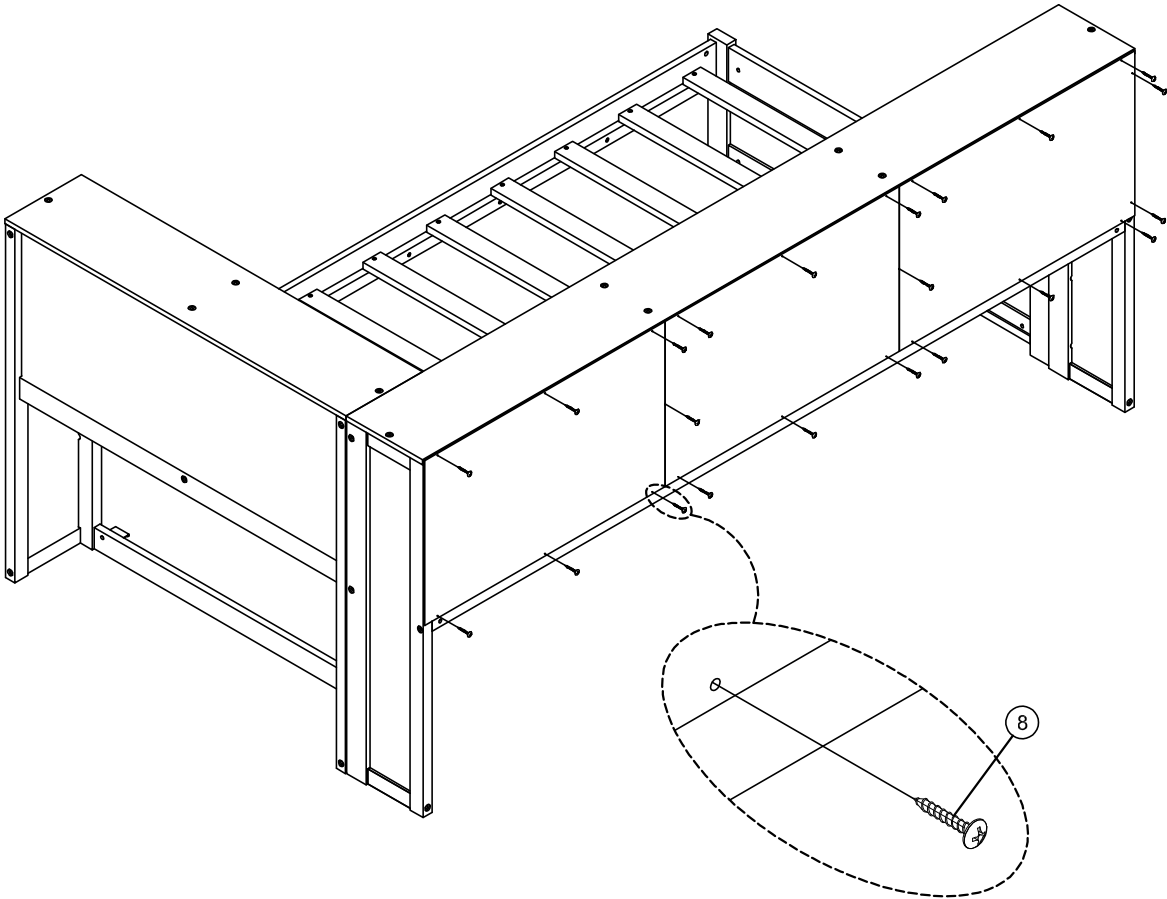


**STEP21:** Following below illustration.

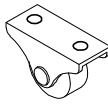


9

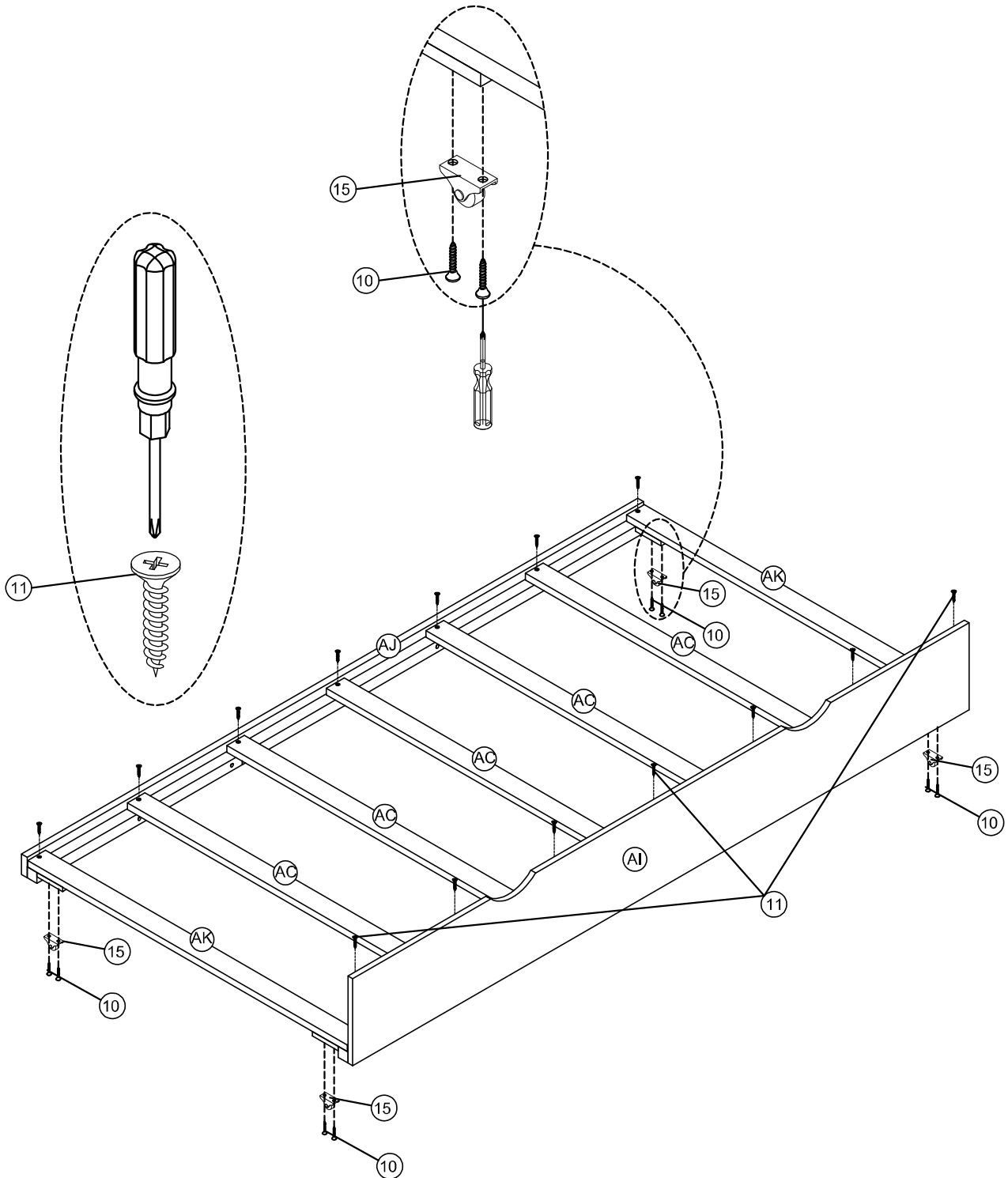


M3 x 15  
20pcs

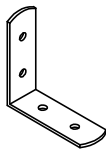
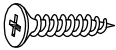


# STEP22: Following below illustration.

15	11	10
		
4pcs	14pcs	8pcs



**STEP23:** Following below illustration.

<b>16</b> 	<b>10</b> 
3pcs	12pcs

