

TROUBLE SHOOTINGS

CAUTION: Disconnect the power supply before servicing.

| STATUS | CAUSE AND METHOD OF REPAIRING | TOOL |
|-----------------------------|--|--|
| The power supply is damaged | If the power supply is damaged, please call the technicians to repair. | "+" type Screwdriver Sharp Pincers |
| The motor does not run | A) The motor was broken, replace a new motor assembly. B) The switch control was broken, replace a new motor assembly. C) The capacitance was broken, replace a new motor assembly. | "+" type Screwdriver |
| The unit body shake | A) The installation is not firm enough. Check it and make sure the hood is firm enough. B) The fan is broken, so it is not balance. Replace a new motor assembly. C) The motor does not firm enough. Check it and install it firmly enough. | "+" type Screwdriver |
| Big noise | A) Some other things drop to the blower. Check and clean it. | "+" type Screwdriver |
| Suction not so powerful | A) The distance from the range hood to the gas cooker is too big. Make sure the distance is about 650-700mm. B) There are many windows or doors in the kitchen, the air convection is too big. Close some doors or windows, smaller the air convection. C) There have some other pour wind to the exhaust pipe. Make the exhaust pipe's exit to downwards. D) The run rate of motor decrease obviously. Replace a new motor or capacitance. Because of the Range Hood is set upon the window, the best solution is that put one threeply board on the back of the Range Hood for covering the hollow of window. | "+" type Screwdriver |
| Bulb does not work | Replace with a new LED lamp assembly. | "+" type Screwdriver |


COOKER HOOD

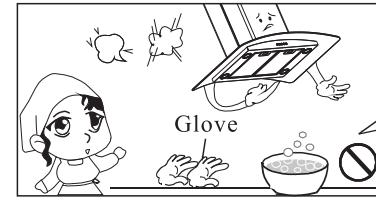
USER MANUAL

READ AND SAVE THESE INSTRUCTIONS MANUAL

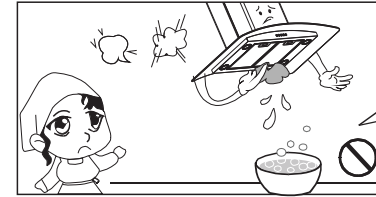
CONTENTS

| | |
|------------------------------------|-------|
| TECHNICAL CHARACTERISTICS | 1 |
| BODY SIZE | 2 |
| MAIN PARTS NAME | 3 |
| INSTALLATION REQUIREMENT..... | 4 |
| INSTALLATION PROCEDURES..... | 5-8 |
| OPERATING INSTRUCTION..... | 8-9 |
| MAINTENANCE..... | 10 |
| TO REPLACE LIGHT BULB..... | 10 |
| GROUNDING INSTRUCTIONS..... | 11 |
| IMPORTANT SAFETY INSTRUCTIONS..... | 12-13 |
| TROUBLE SHOOTINGS..... | 14 |

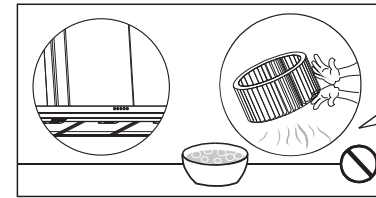
Please note that this product is marked with this symbol: 
 According to Waste of Electrical and Electronic Equipment (WEEE) directive, WEEE should be separately collected and treated. If at any time in future you need to dispose of this product, Please do NOT dispose of this product with house hold waste. Please send this product to WEEE collecting points where available.



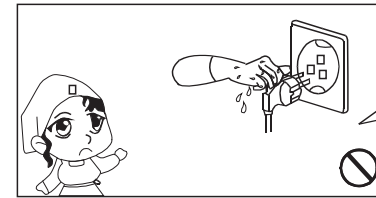
Dress the protective glove before you start to clean the hood. Remove the components gently during carrying out the clearance.



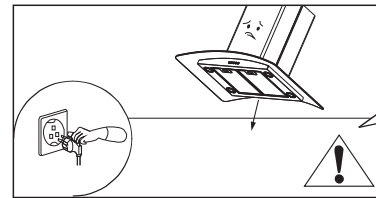
Never wash the control switch with water or other kind of liquid to avoid the liquid might cause electrical problem to the hood.



To clean the motor fan should be undertaken by a qualified person, pay top attention to avoid any distortion of the fan during carrying out the clearance.



Never pull the plug out of the power supply by wet hand to avoid the possibility of electric shock.

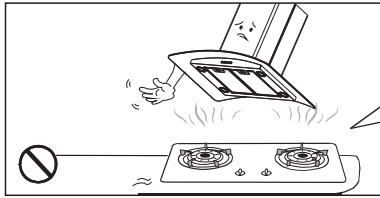


Disconnect the cooker hood from the power supply if this appliance will not be used for a long time.

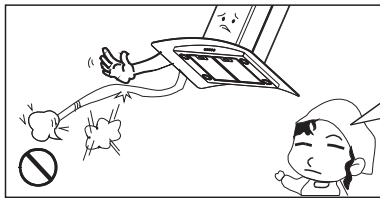
IMPORTANT SAFETY INSTRUCTIONS:



Do not connect the air outlet to chimney flues or combustion gas ducts.



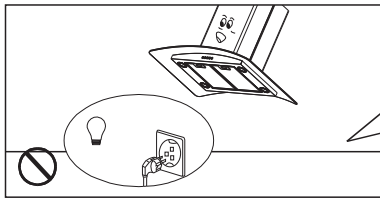
Do not leave naked flames under this hood



In case of any damage to power cable, replace the broken cable with a new one by qualified person.



Do clean the hood correctly in accordance with instruction stated or it might cause the possibility of fire accident



To replace the bulb should be undertaken by a qualified electrician or a competent person. Always use the LED lamp no more than 2W.

Dear consumer,

Thanks for your purchase of our cooker hood and we hope we can fully satisfy all of your needs. Please read entire instructions carefully before proceeding to obtain the best results of using the cooker hood.

TECHNICAL CHARACTERISTICS

MODEL NO.:

- 668I/KT(750)&668I/KT(900) 668I/CT(750) 668I/CT(900)
- 668I/KS14(750) 668I/KS14(900) 668I/CS14(750) 668I/CS14(900)
- 627I/KT(750) 627I/KT(900) 627I/CT(750) 627I/CT(900)
- 627I/KS14(750) 627I/KS14(900) 627I/CS14(750) 627I/CS14(900)
- 610I/KT(750) 610I/KT(900) 610I/CT(750) 610I/CT(900)
- 610I/KS14(750) 610I/KS14(900) 610I/CS14(750) 610I/CS14(900)

TOTAL POWER: 158W 323W

THREE SPEED MOTOR: 150W 315W

LIGHTS: 4 x 2W

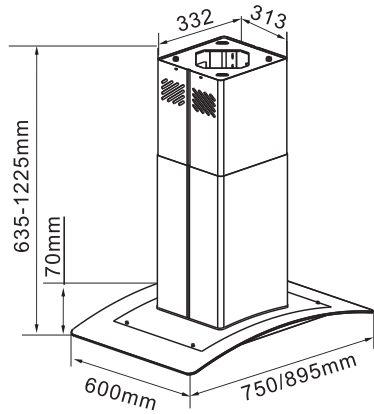
VOLTAGE: 110V~127V

FREQUENCY: 60Hz

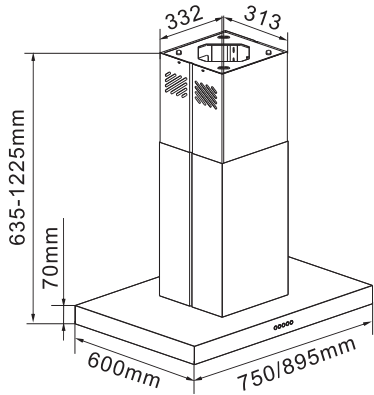
FILTER: Baffle filter 6-layer filter S/S pyramidal filter

CONTROL: Soft touch control touch button

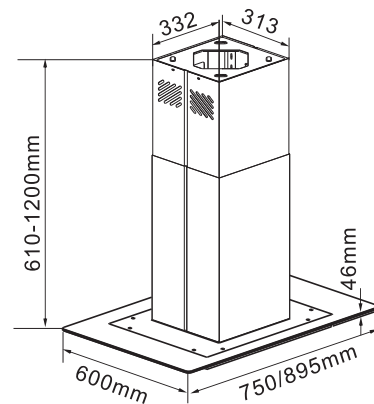
BODY SIZE



668I/KT(750)&668I/KT(900)
 &668I/CT(750)&668I/CT(900)
 &668I/KS14(750)&668I/KS14(900)
 &668I/CS14(750)&668I/CS14(900)



627I/KT(750)&627I/KT(900)
 &627I/CT(750)&627I/CT(900)
 &627I/KS14(750)&627I/KS14(900)
 &627I/CS14(750)&627I/CS14(900)



610I/KT(750)&610I/KT(900)
 &610I/CT(750)&610I/CT(900)
 &610I/KS14(750)&610I/KS14(900)
 &610I/CS14(750)&610I/CS14(900)

GROUNDING INSTRUCTIONS(1)

This appliance must be grounded. In the event of an electrical short circuit, grounding reduces the risk of electric shock by providing an escape wire for the electric current. This appliance is equipped with a cord having a grounding wire with a grounding plug. The plug must be plugged into an outlet that is properly installed and grounded. **WARNING** - Improper grounding can result in a risk of electric shock. Consult a qualified electrician if the grounding instructions are not completely understood, or if doubt exists as to whether the appliance is properly grounded. Do not use an extension cord. If the power supply cord is too short, have a qualified electrician install an outlet near the appliance.

TO REDUCE THE RISK OF FIRE, USE ONLY METAL DUCTWORK.

WARNING - TO REDUCE THE RISK OF A RANGE TOP GREASE FIRE:

- Never leave surface units unattended at high settings. Boilovers cause smoking and greasy spillovers that may ignite. Heat oils slowly on low or medium settings.
- Always turn hood ON when cooking at high heat or when flambeing food (i.e. Crepes Suzette, Cherries Jubilee, Peppercorn Beef Flambe').
- Clean ventilating fans frequently. Grease should not be allowed to accumulate on fan or filter.
- Use proper pan size. Always use cookware appropriate for the size of the surface element.

WARNING - TO REDUCE THE RISK OF INJURY TO PERSONS IN THE EVENT OF A RANGE TOP GREASE FIRE, OBSERVE THE FOLLOWING:

- SMOTHER FLAMES** with a close-fitting lid, cookie sheet, or metal tray, then turn off the burner. **BE CAREFUL TO PREVENT BURNS.** If the flames do not go out immediately, **EVACUATE AND CALL THE FIRE DEPARTMENT.**
- NEVER PICK UP A FLAMING PAN** – You may be burned.
- DO NOT USE WATER**, including wet dishcloths or towels – a violent steam explosion will result.
- Use an extinguisher **ONLY** if:
 - You know you have a Class ABC extinguisher, and you already know how to operate it.
 - The fire is small and contained in the area where it started.
 - The fire department is being called.
 - You can fight the fire with your back to an exit.

Based on “Kitchen Fire Safety” Tips published by NFPA.

GROUNDING INSTRUCTIONS(2)

This appliance must be grounded. In the event of an electrical short-circuit; grounding reduces the risk of electric shock by providing an escape wire for the electric current. This appliance is equipped with a cord having a grounding wire with a grounding plug. The plug must be plugged into an outlet that is properly installed and grounded.

WARNING - Improper grounding can result in a risk of electric shock. Consult a qualified electrician if the grounding instructions are not completely understood, or if doubt exists as to whether the appliance is properly grounded. Do not use an extension cord. If the power supply cord is too short, have a qualified electrician install an outlet near the appliance.”

MAINTENANCE

CAUTION: NEVER PUT YOUR HAND INTO THE HOUSING AREA WHILE THE FAN IS OPERATING.

FOR THE OPTIMAL LEVEL OF OPERATION, CLEAN THE RANGE HOOD SURFACE, FAN, AND ALUMINIUM FILTER REGULARLY.

1. Use only mild soap or detergent solutions to clean the cooker hood surface. Dry surfaces using soft cloth.
2. Using a stainless steel cleaner to bring the glow back into a stainless steel finish.
3. Clean the aluminium filter once a week or according to use status. Press the buckle of the aluminium filter slightly, take off the aluminium filter and put it into warm soapy water using mild detergent, wipe the aluminium filter with soft brush. Replace the filter after it is dry.
4. Clean the motor fan and other inside parts once half year or according to use by QUALIFIED PERSON.
5. DO NOT cleaning motor with water or other liquid.

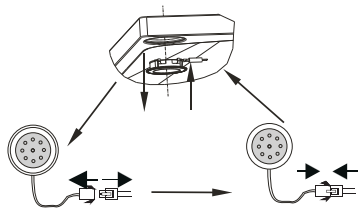
TO REPLACE LIGHT BULB

To replace led lamp

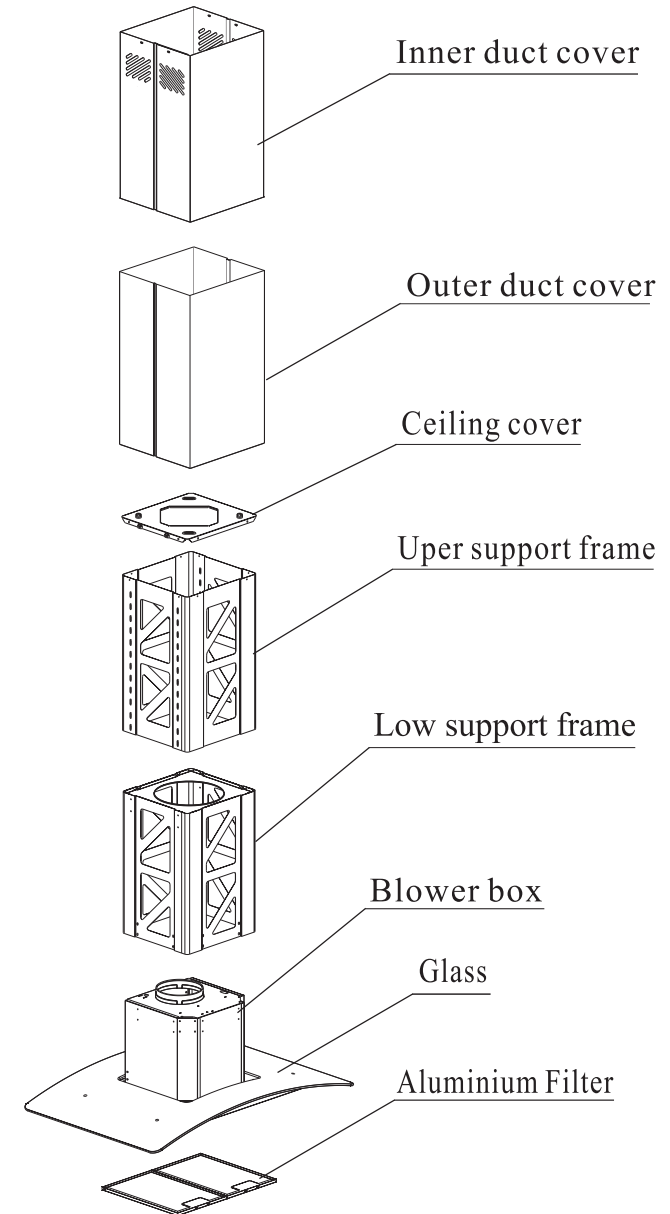
Caution: LED lamp can not replace a new bulb, just can replace a new LED Lamp.

Make sure all the control switches are off, and the cooker hood is unplugged! Please follow below instructions:

1. Take out the filters, and cut off the wire connection of the lamp.
2. Press the spring according to the arrow direction, then you can take off the lamp unit.
3. You can replace a new LED lamp unit no more than rating!
4. Then put the lamp unit to the hood in reverse direction. Connect the wire of the lamp.
5. Fit on the filters.

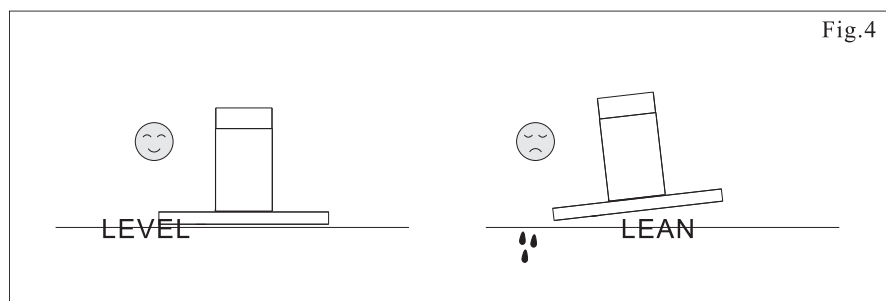
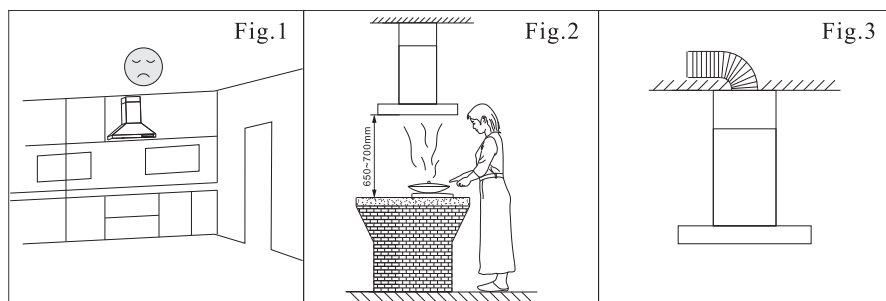


MAIN PARTS NAME



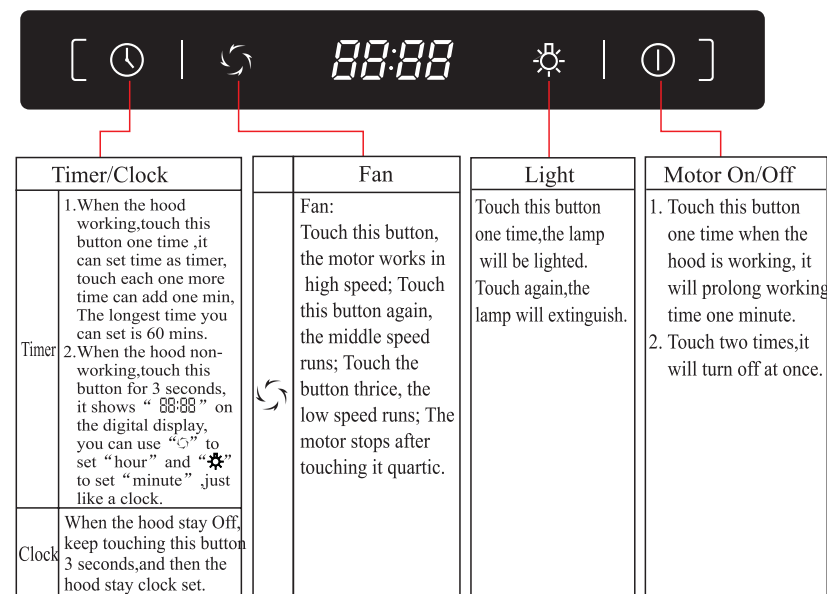
INSTALLATION REQUIREMENT

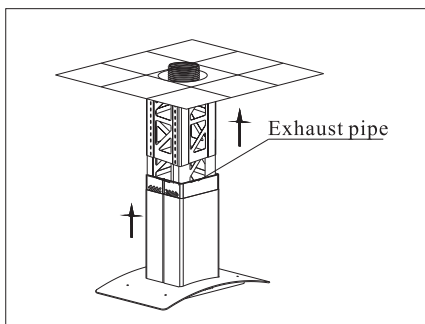
1. Do not install the cooker hood where there are many doors or windows in order to avoid affecting the exhaust efficiency of the hood caused by air convection. (Fig. 1)
2. Install the cooker hood right above the hob. The recommended distance between the hob and the lower edge of the cooker hood is minimum 650mm and maximum 700mm. (Fig. 2)
3. In order to get the optimum performance, do not elongate the exhaust pipe too long, and try to make the bend of exhaust pipe less and biggest, ensure the connection is airtight. (Fig. 3)
4. After hanging the unit on the wall, ensure the hood is level and vertical. (Fig. 4)
5. The air outlet must not be connected to chimney flues or combustion gas ducts. The air outlet must under no circumstances be connected to ventilation ducts for room in which fuel-burning appliances are installed.



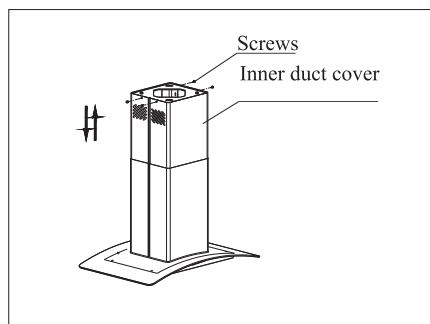
2. How to use the Soft touch Control

FOR:668I/KS14(750)&668I/KS14(900)&668I/CS14(750)&668I/CS14(900)
&627I/KS14(750)&627I/KS14(900)&627I/CS14(750)&627I/CS14(900)
&610I/KS14(750)&610I/KS14(900)&610I/CS14(750)&610I/CS14(900)





Step 12:
Extend the air outlet of the exhaust pipe out-of-door. Try to make the bend of the exhaust pipe is more than 120° .



Step 13:
Pull the inner duct cover to the ceiling, aiming the upper support frame , fix it with 4 pcs M4x10 screws.

OPERATING INSTRUCTION

1.How to use the **Touch Control**

FOR:668I/KT(750)&668I/KT(900)&668I/CT(750)&668I/CT(900)
&627I/KT(750)&627I/KT(900)&627I/CT(750)&627I/CT(900)
&610I/KT(750)&610I/KT(900)&610I/CT(750)&610I/CT(900)

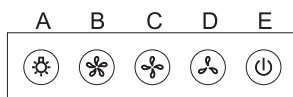
A: Press Button A once, turn on the light. Press it again, turn off the light.

B: Press button B, the fan runs at the boost speed.

C: Press button C, the fan runs at the middle speed.

D: Press button D, the fan runs at the low speed.

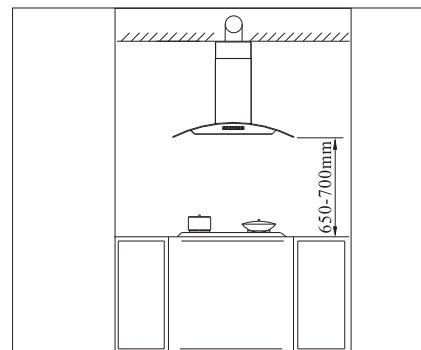
E: Press button E, the fan turns off.



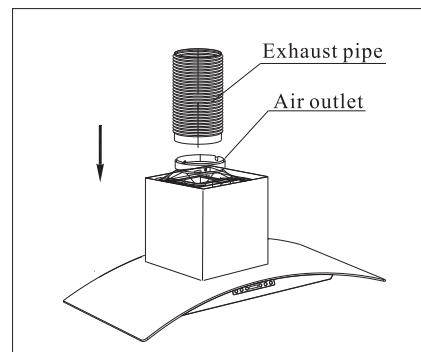
INSTALLATION PROCEDURES

SAFETY WARNING

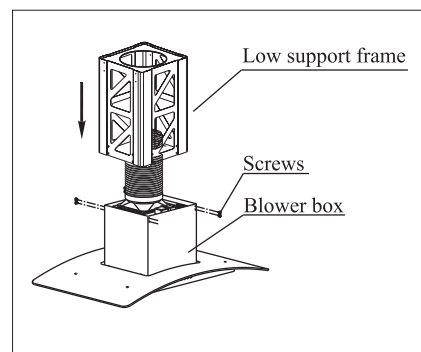
HOOD MAY HAVE VERY SHARP EDGES; PLEASE WEAR PROTECTIVE GLOVES IF IT IS NECESSARY TO REMOVE ANY PARTS FOR INSTALLING, CLEANING OR SERVICING.



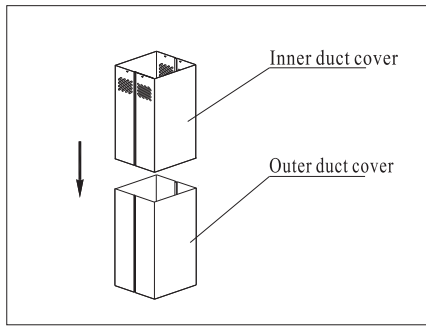
Step 1:
Fix the position of the cooker hood in accordance with the recommended height between 650mm to 700mm from the hob and the lower edge of the hood.



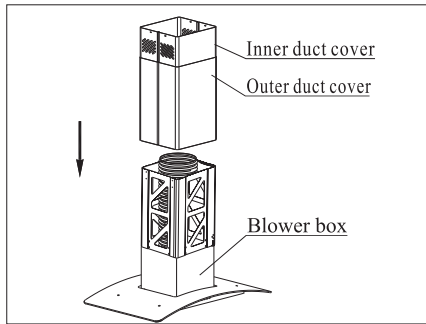
Step 2:
Take out of the cooker hood from the carton and put it on a horizontal work table gently. fix the exhaust pipe into the Air outlet, make sure is connected tightly.



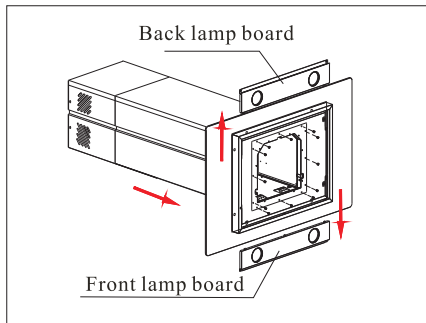
Step 3:
Aiming the Low support frame to the holes on the blower box , fix it tightly.
Then pull out the exhaust pipe to the level of the low support frame.



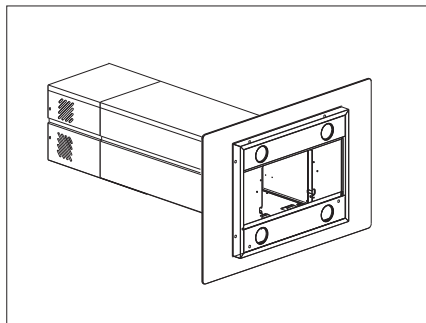
Step 4:
Insert the inner duct cover into the outer duct cover.



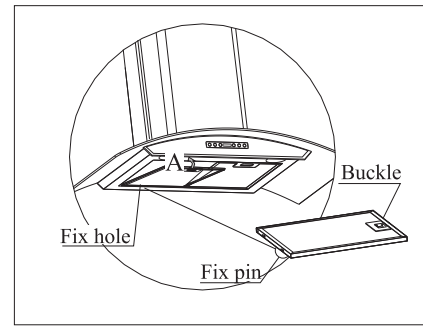
Step 5:
Put the inner duct cover and Outer duct cover on the Blower box. Then pull out the exhaust pipe to the level of the Inner duct cover.



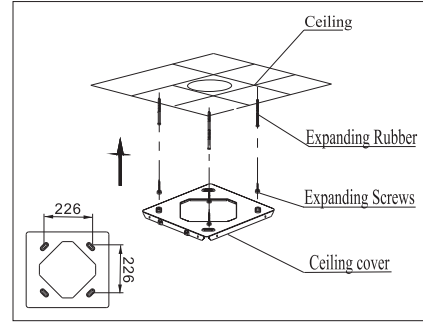
Step 6:
Put the hood on the table, take out the filter, then loose the screws of the front and back lamp board. Pull the front lamp board back wards, pull the back lamp board ahead. Then use screws to fix the outer duct cover to the hood.



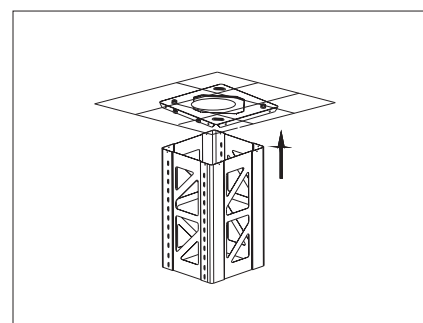
Step 7:
After fix the out duct cover to the hood, then fix the front lamp board and the back lamp board with four screws.



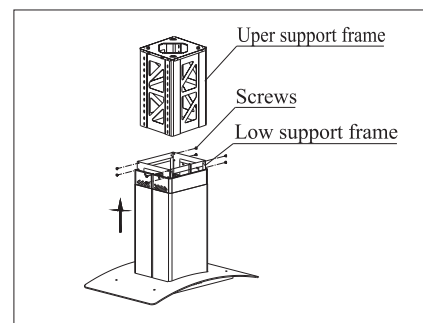
Step 8:
Install aluminium filter. Match the fix pin to the fix hole and press the buckle of the filter gently as the direction of arrow A once the filter in level, loose the buckle then the filter is fixed.



Step 9:
As per the screw positions on the Upper support frame, drill 4 holes (about ϕ 8 mm), then fill the Expanding Rubber into the holes. Aiming the holes on the ceiling, fix the ceiling cover with the Expanding screws tightly and make sure it is firm.



Step 10:
Put upper support frame under the ceiling cover. Use screws to fit the upper support to the ceiling cover.



Step 11:
Shift the complete cooker hood, to make the low support frame cover the Upper support frame. Adjust its height. Fix it tightly with 8 pcs M4x10 screws and make sure it is firm.