

Stylish Massage Chair

A37
USER MANUAL

Please read all instructions before using.

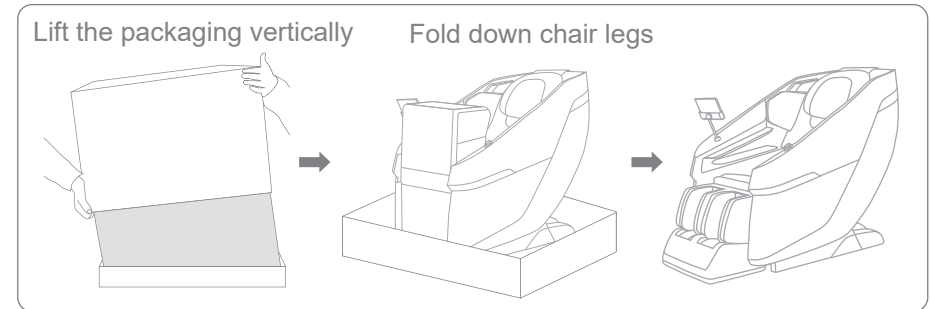
Thank you for purchasing this product.
Please read this user manual carefully before using to ensure proper installation and operation.
Please keep this USER MANUAL properly for future reference.

CONTENTS

Preliminary Checks 1
Structure 2
Controller instructions 4
How to Use 5
Technical Specifications 8
Safety Precautions 8
Troubleshooting 10
Product Maintenance 11

Preliminary Checks

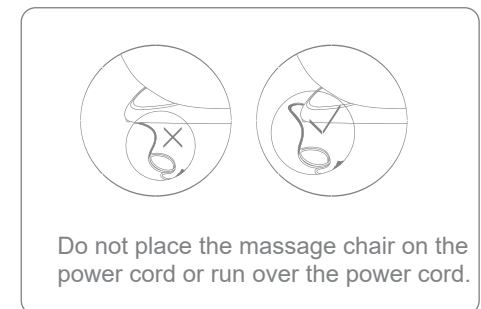
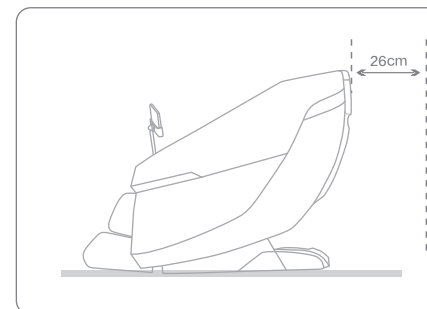
Unpack the chair and remove the product packaging:



1. Remove banding straps and lift the cardboard packaging vertically.
2. Fold down chair legs and take the accessories out of the packaging.
3. Lift the chair out of the cardboard base or tilt the chair back and wheel it off the cardboard base.

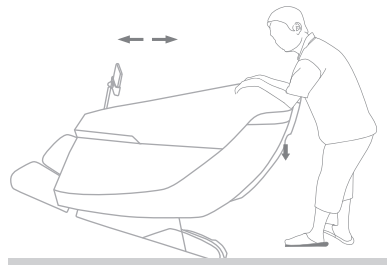
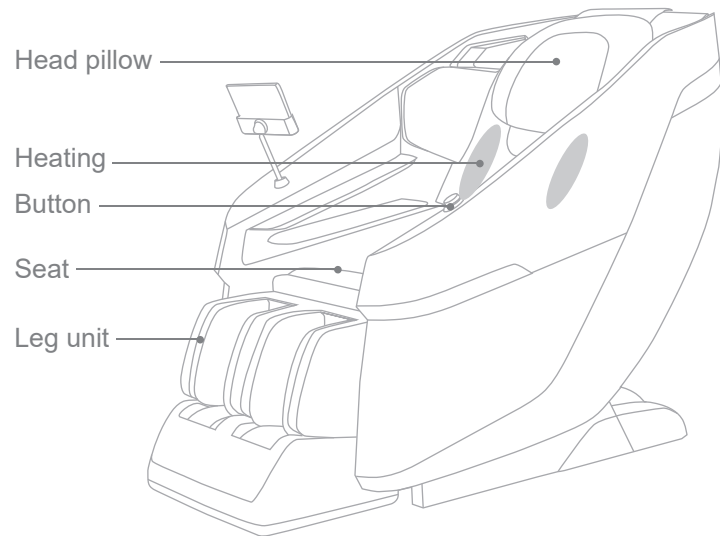
Positioning the massage chair:

1. Lift the massage chair out to the desired location or alternatively if on one level, tilt the chair back and roll on the wheels to position.
2. Do not put this product near heat source, open flame or in direct sunlight, this may cause fading or damage.
3. The bottom of the massage chair may scratch solid floors, we recommend placing a piece of carpet or soft mat underneath it to prevent any damage.
4. Please ensure there is 26cm of space both in front and behind the chair, as this space will be necessary when the chair is reclined during use.
5. Ensure the chair is not kept in a high moisture environment and that the floor is even and level.
6. Position the chair at least 1 meter from TV or other audio/video appliances to avoid signal interference.



Do not place the massage chair on the power cord or run over the power cord.

Structure



Moving the massage chair

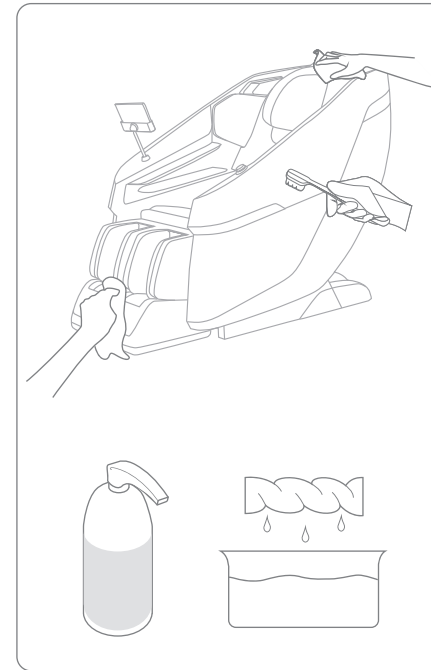
1. Push down on the backrest, tilt the chair about 30°(see left figure).
2. Roll the chair on its casters and wheel to the desired location.



Caution

- Do not move the chair when there is a person inside it.
- We recommend placing a piece of carpet or soft mat underneath the chair when moving it to prevent any scratches to the flooring.
- Please hold the backrest securely when moving the massage chair to avoid trips / falls.
- Make sure the footrest is fully retracted when moving the massage chair to avoid damage.

Product Maintenance



Cleaning Instructions:

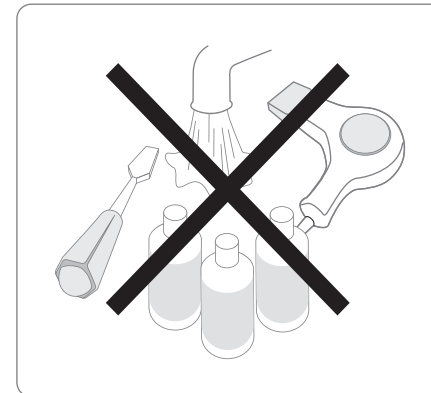
Do not use steel wool, abrasive cleaners or corrosive liquids (such as gasoline or acetone) to clean the product.

1. Unplug the device prior to cleaning.
2. Clean the massage chair, remote control and power cord with a dry cloth.
3. Do not use a damp cloth or cleaning detergents.

Storage Instructions:

1. Unplug the plug from the power socket.
2. Store this product in a cool and dry place away from sunlight.
3. Do not place heavy objects on the product.

If the leather is damaged or there is signs of mechanical failure, please stop using this product immediately and contact the authorized after-sales service center or customer service center in your country / region.



If you do not intend to use the device for a long time, please unplug the power cord.

Safety Precautions



Caution

- Use this machine with mains power voltage, do not operate it at any other voltage.
- This product must use a grounded three-core power socket, and there should be a reliable and good grounding device.
- Damaged leather or cloth covers should be replaced to avoid injury to the user from exposed parts.
- Do not allow water or moisture to enter the hand controller or chair to avoid electrical failure.

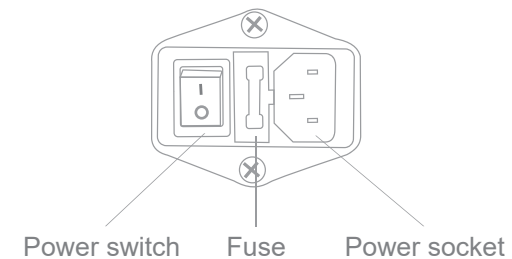
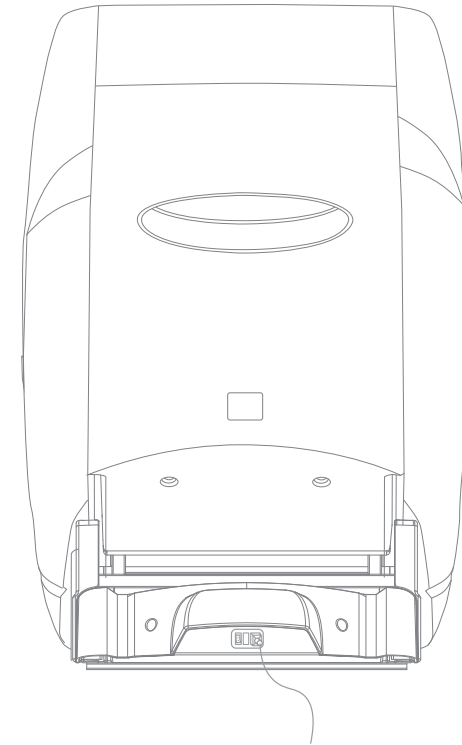
Troubleshooting

Possible situation	Possible solutions
The sound made during operation.	The chair will produce a low level of noise during use. If any sounds are heard which sound abnormal, contact the after-sales service centre.
The power is plugged in, but the massage chair cannot be operated.	Check whether the power switch of the massage chair is in the "I" position. Check whether the power cord is damaged. Check if the fuse is damaged and replace the fuse. Check whether the control cable is properly connected to the device and securely screwed in place.
The backrest cannot be raised and lowered.	Check whether there are any foreign objects stuck in the backrest and/or lower legs.
During use, the controller can be operated, but the massage chair does not respond.	After a long period of operation, if the temperature of the machine is too high, the massage chair will enter a temperature protection state. Please turn off the power and do not use it for 30-50 minutes to let the machine cool down.
During use, the controller cannot be operated, and the massage chair also stops operating.	After the automatic timing function is activated, if the set time is up, please press the power button again to turn back on the remote.

If an abnormal situation occurs, in order to prevent accidents, please stop using the chair and unplug the power cord. If the following solutions are still invalid, please contact the after-sales service center.

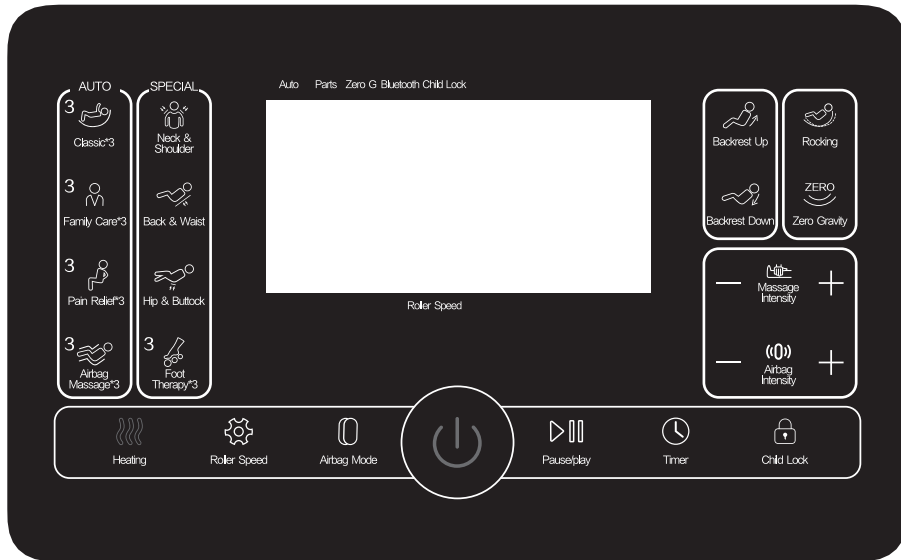
Structure

Back of massage chair



Controller Instructions

Tablet Controller



Quick button instructions



Power button



Long press the power button to turn on/off the massage chair: short press this button to toggle among 12 pre-set auto massage programs namely: Chinese Massage, Thai Massage, Healthy breath, Queen Slimming, Man's Massage, Senior's Joy, Neck&Shoulder, Waist&Hip, Back&Spine, Kneading Massage, Pulse Massage and Alternating Massage.

Rotary switch



Rotary this switch to raise recline the backrest: rotate clockwise to raise recline the backrest rotate counter-clockwise to raise backrest rotate counter-clockwise to recline backrest.

Safety Precautions

- When a child or disabled person is using the chair, please ensure they are supervised in case of an emergency.
- Only use this product as per the product manual.
- Do not use accessories not provided by the company.
- Do not stand, sit or jump on the calf rest, so as not to cause damage.
- Please do not try to sit on the armrest or backrest. This may cause damaged or result in the chair tipping.
- Do not go to sleep during the massage.
- Please keep the massage chair clean and avoid inserting other objects into the gaps of the massage chair.
- If you are not sure whether you can safely use the massage chair, please consult your doctor.
- In order to avoid discomfort or injury caused by using this massage chair, the following people should consult a physician before using this product; those receiving medical treatment, those with back disorders, those with abnormal or distorted cervical spines.
- If you experience pain during use, please stop using it immediately. If you suffer any injury during use, please seek medical attention immediately.
- Do not use the massager on red, swollen or inflamed skin.
- This product only provides comfortable massage enjoyment for the family. It is not a professional massage or medical device, so it cannot replace professional treatment.
- It is recommended to use the massage chair for 30 minutes a day, and massages of the same part should not exceed 15 minutes, otherwise excessive massage will result in counterproductive effects and long-term use will cause the massage chair to overheat and shorten the service life of the product.
- Do not use this product in an environment where gas or oxygen is injected.
- This product is not suitable for children under 12 years of age.



Caution

- People with physical injuries or medical conditions that may be affected by the massager chair are instructed not to use the device without consulting their Doctor.
- Children should be supervised at all times to ensure they use the chair safely.
- If the power cord is damaged, it must be replaced with a special cord or a special component purchased from the manufacturer or maintenance department.
- The device has a heating mode, people who are sensitive to heat should keep this mode off during use.

Technical Specifications

Items	Specifications
Name	Stylish Massage Chair
Model	A37
Rated voltage	220V~
Rated frequency	50/60Hz
Rated power	70W
Packing dimension	1180mm(L)x740mm(W)x1060mm(H)
Weight	N.W.:65 kg G.W.:76kg
Safety design	Class I
Default working time	20 Minutes

Safety Precautions



Warning

Please read all instructions before use.

This massage chair must use a socket that matches the plug and grounding requirements. When using electrical products, in order to check the risk of electric shock, burns, fire or personal injury, basic safety precautions should be followed, including the following:

- Be sure to use an outlet that matches the plug.
- Ensure that the plug is fully inserted into the socket to reduce the risk of short circuit or fire.
- Ensure you unplug the device prior to cleaning or before long periods of no use.
- Do not use this product in a high temperature environment.
- Do not store or use this product outdoors or in direct sunlight.
- In the event of sudden power failure during use, please set the switch "O" position immediately and unplug the device to avoid damage to the product.
- Do not operate the massage chair if the cord is wet or damaged.
- Do not insert or unplug the plug with wet hands to avoid accidents.

How to Use

Controller Instructions



Power button

Press the power button to turn on the product. The controller screen will light up to indicate it's powered on and then you can choose a massage program to start. Press the power button again to turn off the product.



Classic 3

Press this button to toggle among three classic auto programs: Chinese Kneading, Thai Massage and Healthy Breath.



Family Care 3

Press this button to toggle among three family care auto programs: Queen Slimming, Man's Massage, Senior's Joy.



Pain Relief 3

Press this button to toggle among three pain relief auto programs: Neck & Shoulder, Back & Spine, Waist & Hip.



Airbag Massage 3

Press this button to toggle among three air massage auto programs: Kneading Massage, Pulse Massage, Alternating Massage.



Neck & Shoulder

Press this button to choose Neck & Shoulder mode.



Back & Waist

Press this button to choose Back & Waist mode.



Hip & Buttocks

Press this button to choose Hip & Buttocks mode.



Foot Therapy 3

Press this button to toggle among three foot therapy programs: Energy Mode, Relax Mode, Sleep Mode.



Backrest Up

Press and hold this button to raise the backrest and recline the legrest, release the button to stop.



Backrest Down

Press and hold this button to recline the backrest and raise the legrest, release the button to stop.



Rocking

Short press to turn on/off rocking function.



Zero Gravity

Press this button to toggle among Zero Gravity 1, Zero Gravity 2, Zero Gravity 3.



Massage Intensity

Press this button to toggle among five massage intensities.



Airbag Intensity

Press this button to toggle among five air bag intensities.

How to use



Heating

Press this button to turn on/off back heat.



Roller Speed

Press this button to toggle among six roller speeds.



Airbag Mode

Under foot program, press this button to toggle among three air pressure modes: Kneading Massage, Pulse Massage, Alternating Massage.



Pause/Play

Press this button to pause the massage, press again to restart the massage.



Timer

Press this button to toggle the massage length from 10mins, 15mins, 20mins, 25mins or 30 mins.



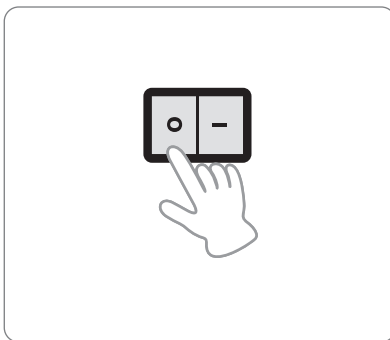
Child Lock

Long press this button for turning on or turning off the child-lock function.



Caution

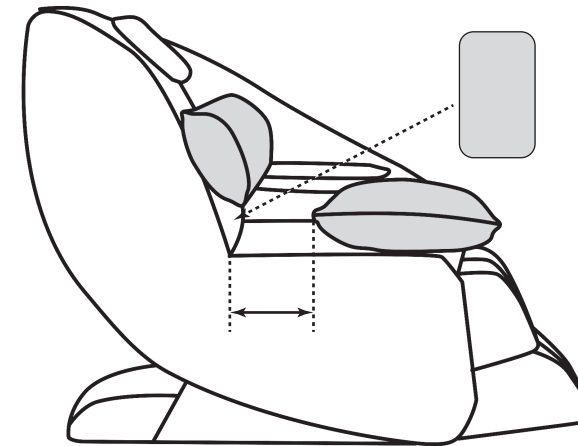
- Do not get into the massage chair when the footrest is lifted.
- A sudden excessive load pressed on the backrest or footrest may cause damage to the product or injury to the user.
- Before getting in the chair, please make sure the backrest is restored to the upright position. You may recline the chair to desired angles after sitting in the chair.
- Do not put foot, fingers or any other objects into the openings of the chair.
- Make sure there are no children, pets or other obstacles around before adjusting the backrest or footrest angle.



- Press the power switch at the armrest to stop all massage motions.
- When not in use for a long period of time, be sure to turn off the power switch.
- Disconnect the power cord from the electrical outlet.
- Do not drag the power cord to avoid damage to the cord. Damage to the cord may result in fire or electrical shock.

The switch is on the back cover of the power box

How to use



1. To enhance your comfort when not using the massage function, we recommend placing the included cushions on the massage chair (as shown in the picture).
2. The cushions provide additional support for your back and hip, and you'll have a cosy spot to relax or socialise with friends and family.
3. We've also included an optional support pad that can be placed on the backrest to help reduce the massage intensity.
4. For optimal comfort and thigh support, place the pillow towards the front edge of the seat rather than the back.

Bluetooth Connection

- When the massage chair is on, the Bluetooth is on as the default setting, you may turn on Bluetooth on your mobile device, choose "A37" to pair.
- You can enjoy your music through the chair speakers when the Bluetooth is connected.