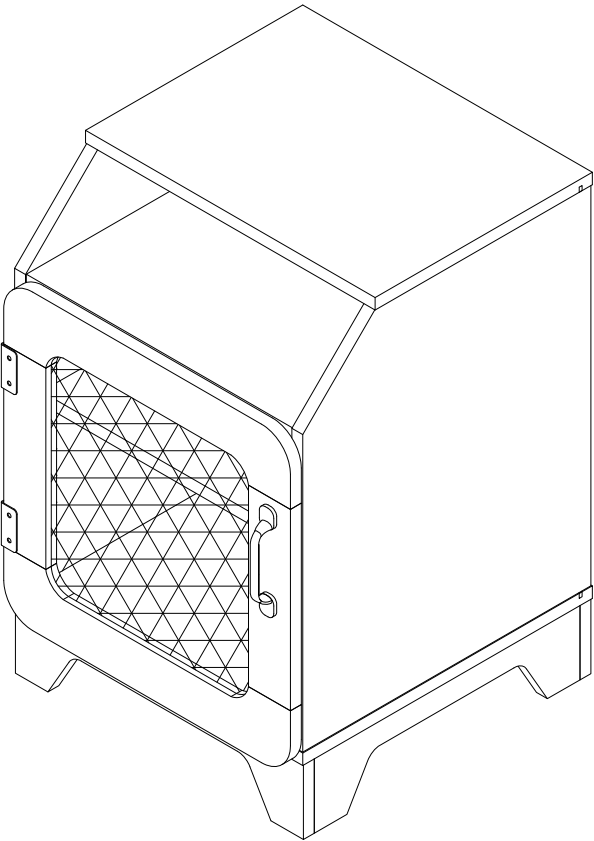


ASSEMBLY INSTRUCTIONS



TOOLS REQUIRED



**Philips
Screwdriver**

(Not Included)



**2 - People
Recommended**

ASSEMBLY RATING

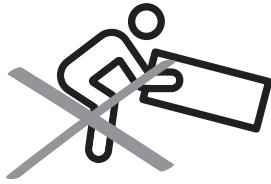


EASY → DIFFICULT

The Assembly Rating is a 5-point system showing the level of effort needed to assemble a specific product.

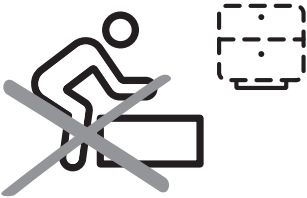
PRE ASSEMBLY INTRODUCTION

We understand building ready-to-assemble furniture can be a challenging experience for some. To help avoid confusion, we have provided some helpful tips that may speed up the process.



Teamwork

ALWAYS have at least two people to help with transporting and assembling the product to avoid potential injury and/or damage.



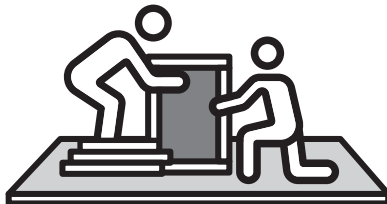
Suitable Location

Assembling near the area of the intended location is highly recommended.



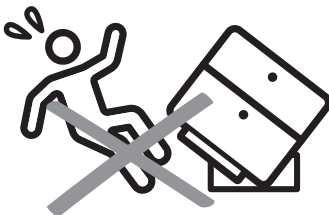
Sufficient Space

Make sure you have enough space to move around during the assembly.



Avoid Scratches

Use cardboard, blankets or a carpeted area while assembling furniture to prevent scratches.



Flat Surface

Make sure the furniture rests on a flat and level surface with each leg evenly touching the floor.

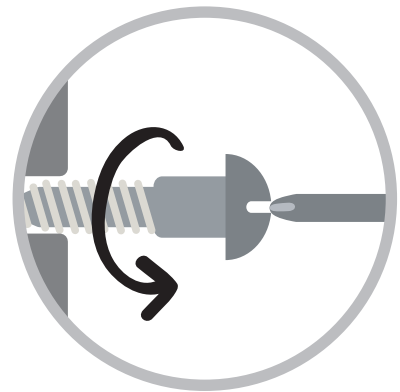
ASSEMBLY AND CARE ADVICE



FAILURE TO FOLLOW THE GUIDELINES BELOW MAY RESULT IN INJURY AND/OR PROPERTY DAMAGE.



Position each part correctly and insert screws or bolts into their respective holes.



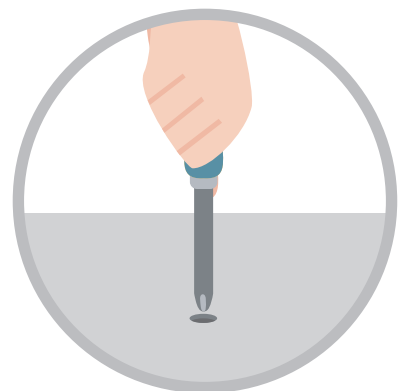
Turn clockwise to tighten and only tighten when step is completed or when instructed to do so.



Use the appropriate hand tools or power tools for assembly. Select steps, such as tightening screws and/or bolts, may require hand tools to avoid causing damage during assembly.



Save the instructions and store any supplied tools for later maintenance.



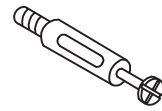
After two weeks, check and tighten any loose hardware and repeat again every six months thereafter.

IT IS THE USER'S RESPONSIBILITY TO MAINTAIN THE FURNITURE. THE HARDWARE MAY LOOSEN OVER TIME AND MAY CAUSE THE FURNITURE TO BE WOBBLY AND UNABLE TO SUPPORT ITS INTENDED WEIGHT CAPACITY. THIS MAY LEAD TO COLLAPSE AND MAY CAUSE SERIOUS INJURY.

CAM LOCK FASTENER ASSEMBLY INSTRUCTIONS

Note :

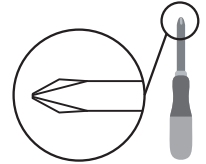
Every cam lock bolt must have a cam lock connector in order to fasten the parts together.



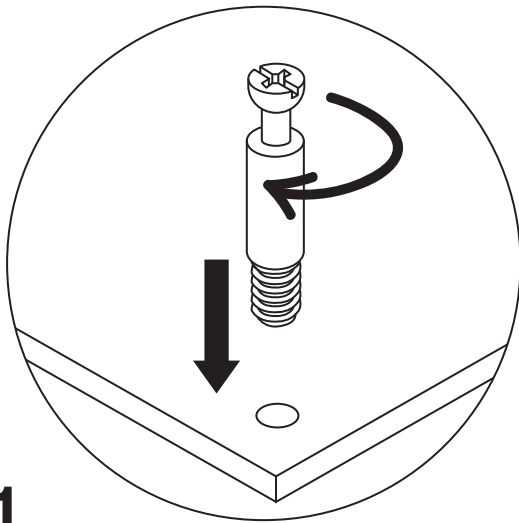
cam bolt



cam lock

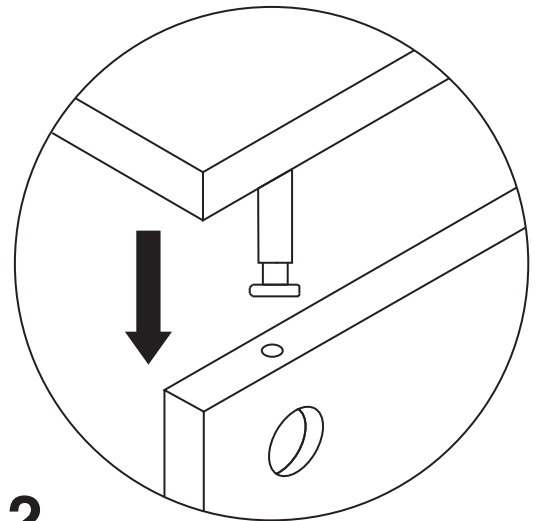


screwdriver



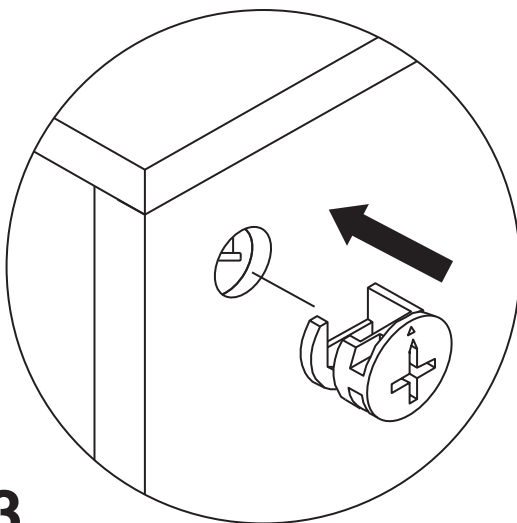
1

Screw the cam bolt into panel.



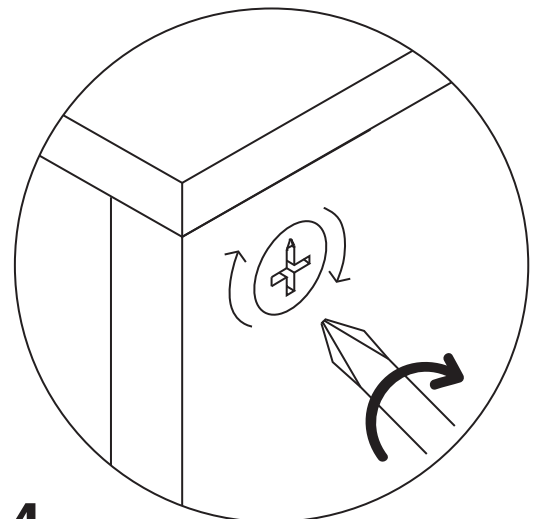
2

Insert the cam bolt into the bolt hole of joint panel.



3

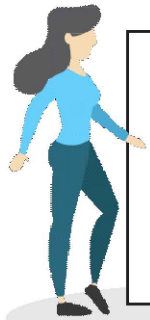
Align the cam lock with its side opening (or arrow) pointing to cam bolt.



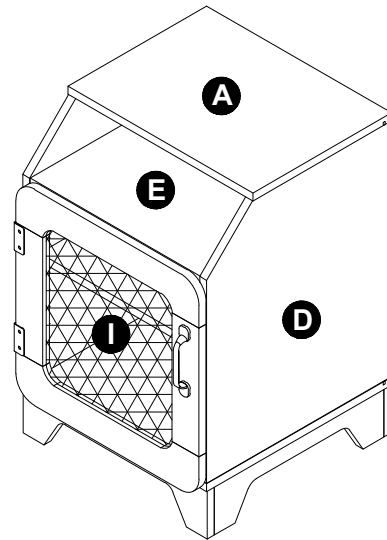
4

Turn the cam lock clockwise gently until it will not turn any more.

END TABLE

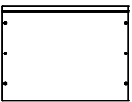


- Please keep instructions for future reference.
- Check the quantity and irregularity of parts and hardware before you start.

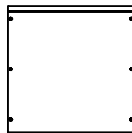


PARTS

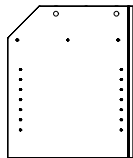
A 1PC



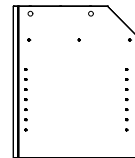
B 1PC



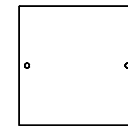
C 1PC



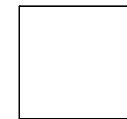
D 1PC



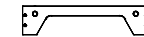
E 1PC



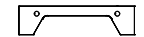
F 1PC



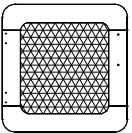
G 2PCS



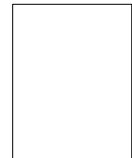
H 2PCS



I 1PC

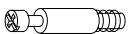


J 1PC



HARDWARE

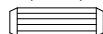
1 14PCS



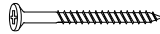
2 14PCS



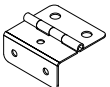
3 16PCS
(8x30)



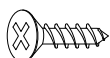
4 4PCS
2.2"



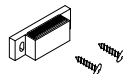
5 2PCS



6 10PCS



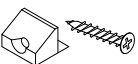
7 1SET



8 1SET



9 4SETS

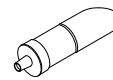


10 4PCS



ACCESSORIES

A1 1PC



A2 1SET



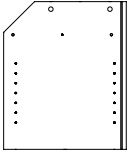
A3 4PCS



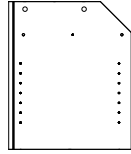
GET READY

Please group boards as below.

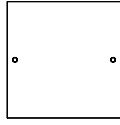
C 1PC



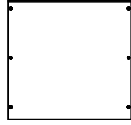
D 1PC



E 1PC



B 1PC



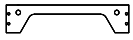
A 1PC



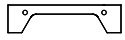
J 1PC



G 2PCS

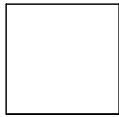


H 2PCS

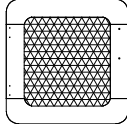


Body

F 1PC



I 1PC

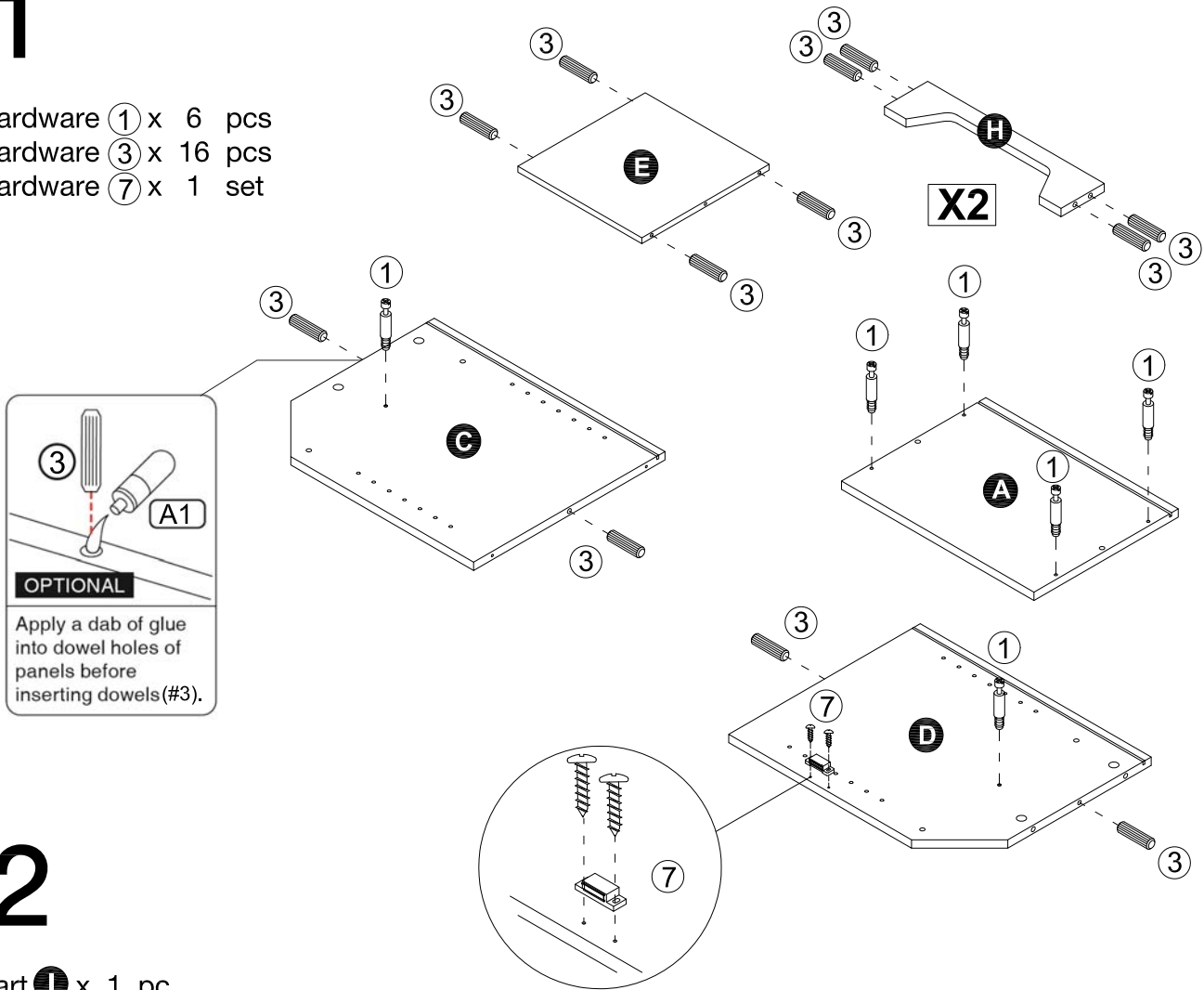


Door/Shelf

ASSEMBLY INSTRUCTIONS

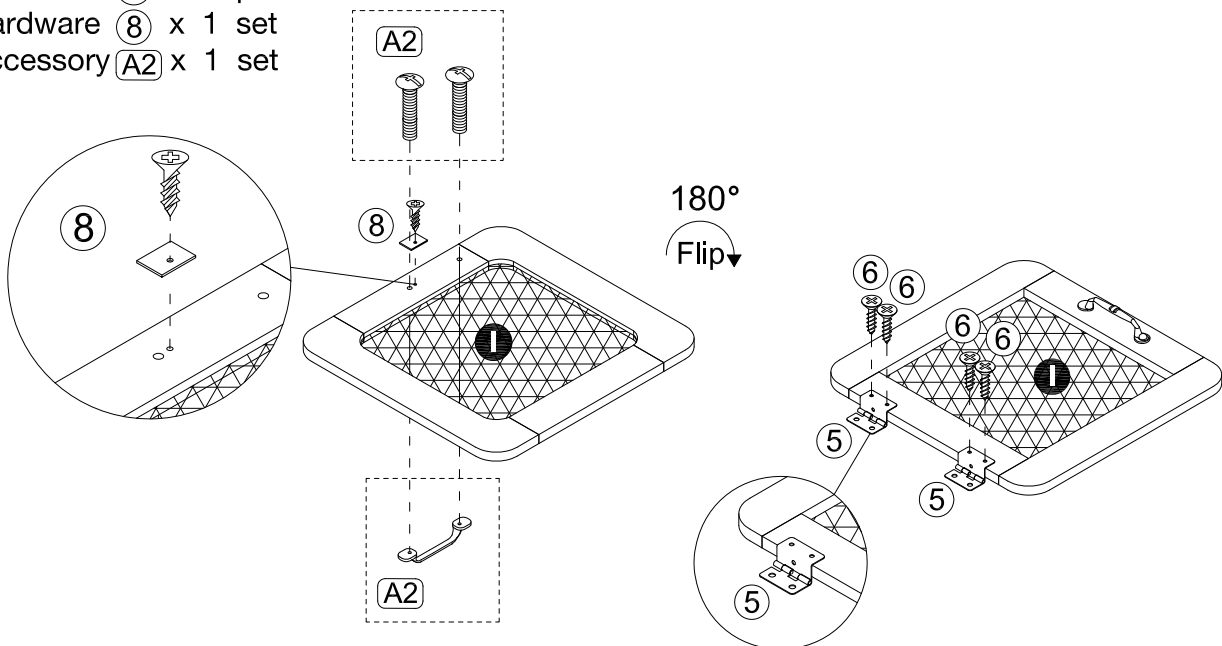
1

- Hardware ① x 6 pcs
- Hardware ③ x 16 pcs
- Hardware ⑦ x 1 set



2

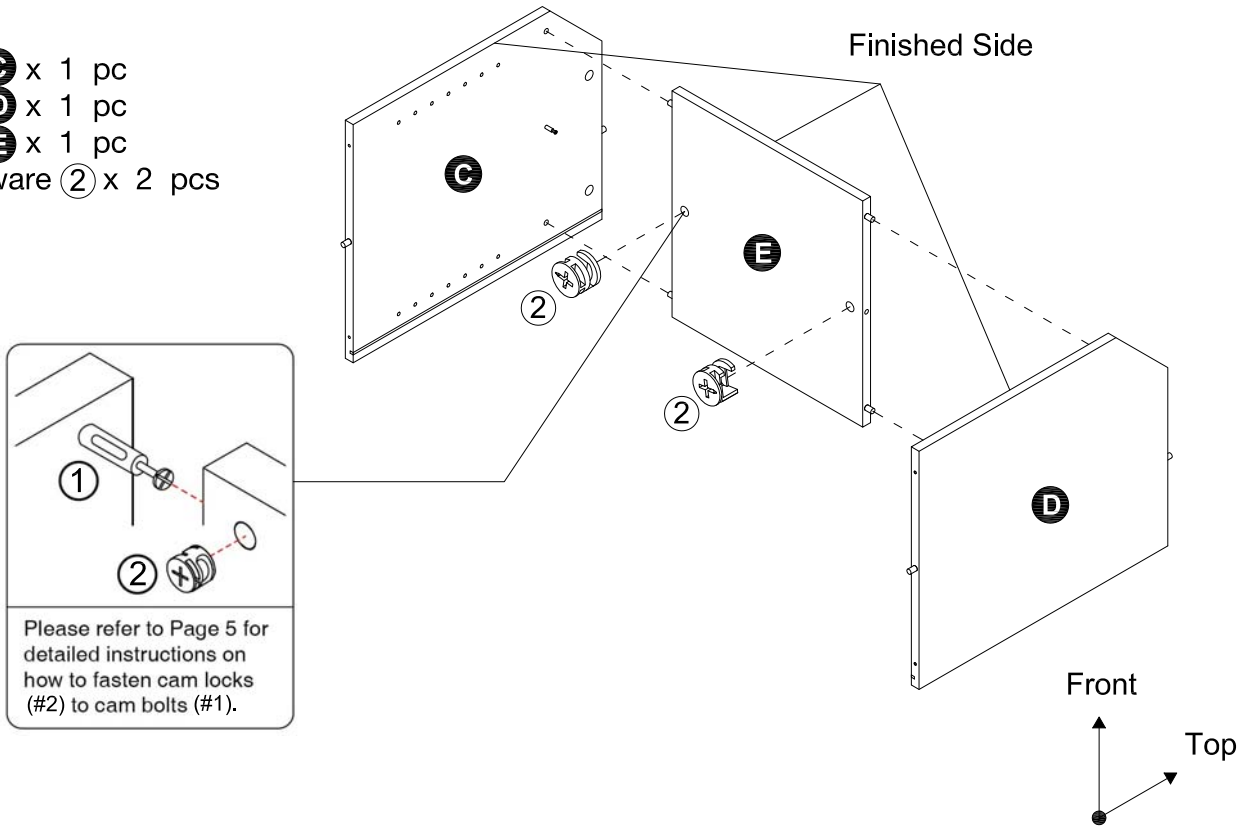
- Part ① x 1 pc
- Hardware ⑤ x 2 pcs
- Hardware ⑥ x 4 pcs
- Hardware ⑧ x 1 set
- Accessory A2 x 1 set



ASSEMBLY INSTRUCTIONS

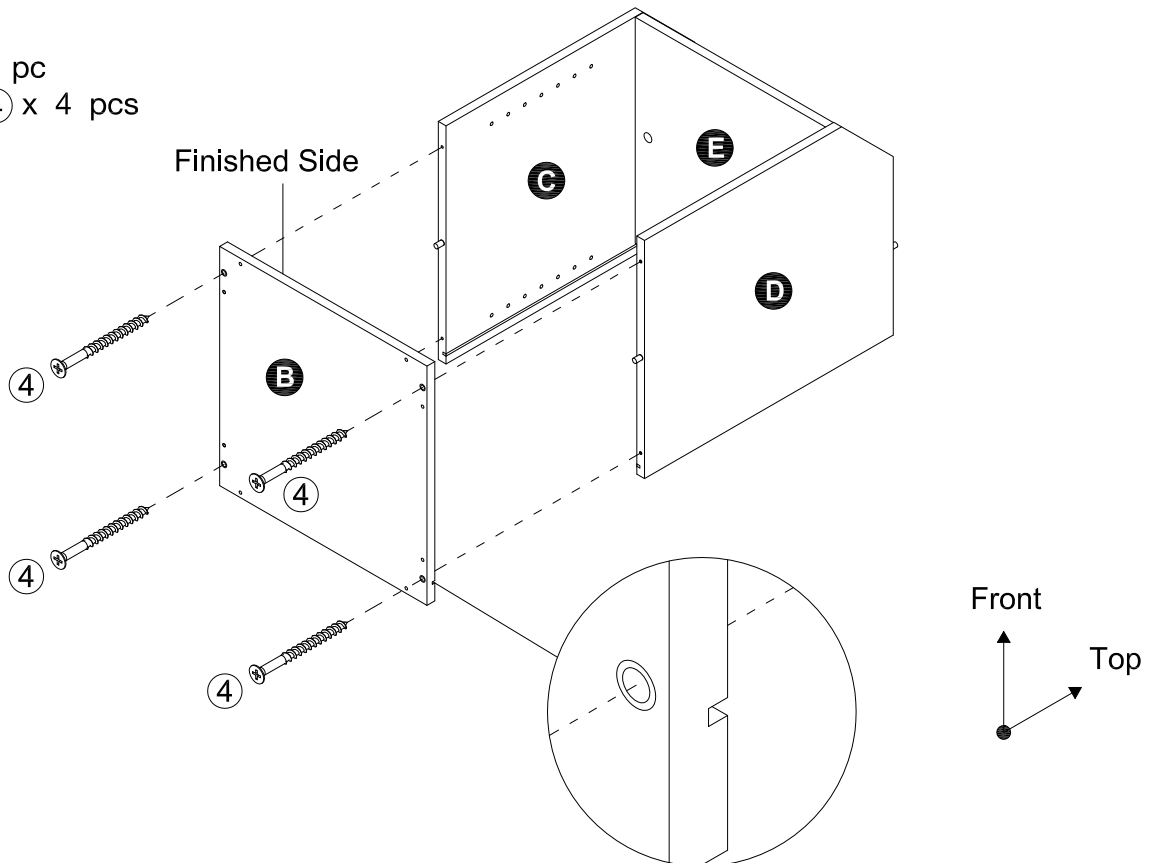
3

- Part **C** x 1 pc
- Part **D** x 1 pc
- Part **E** x 1 pc
- Hardware **2** x 2 pcs



4

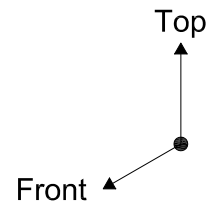
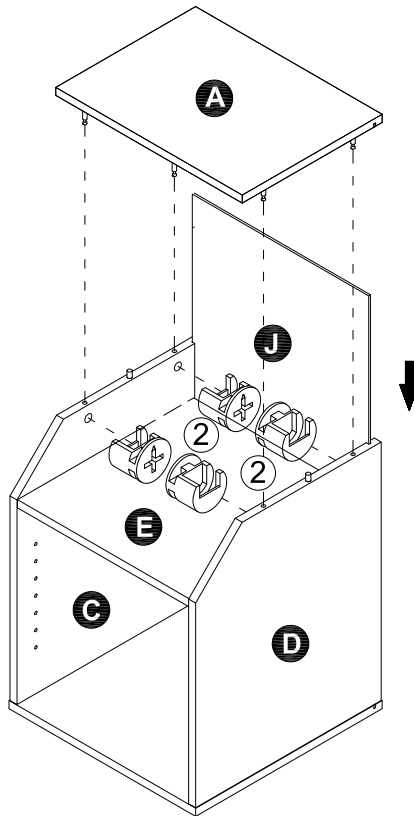
- Part **B** x 1 pc
- Hardware **4** x 4 pcs



ASSEMBLY INSTRUCTIONS

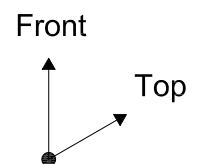
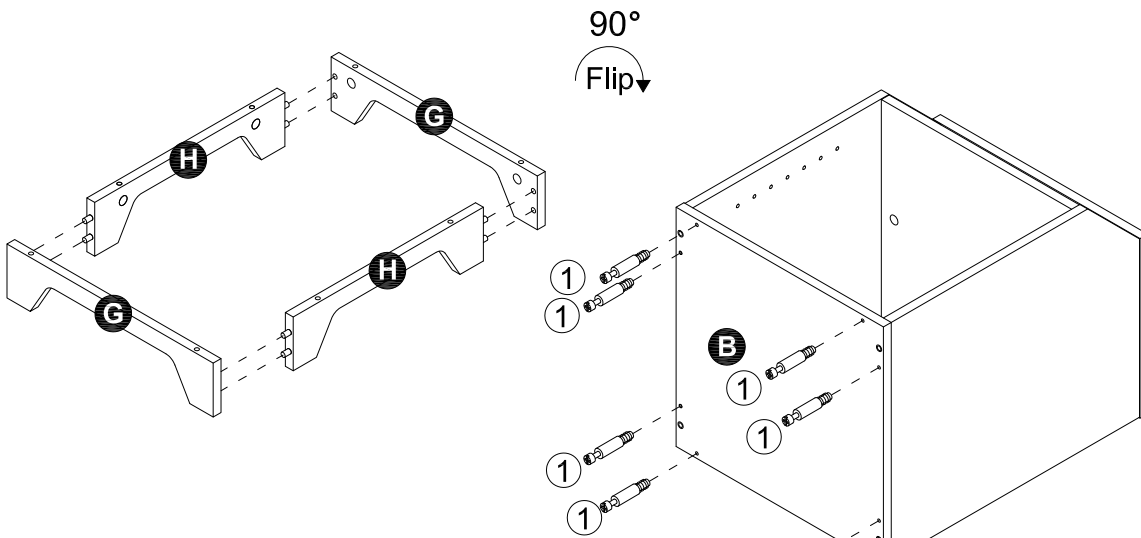
5

- Part **A** x 1 pc
- Part **J** x 1 pc
- Hardware **2** x 4 pcs



6

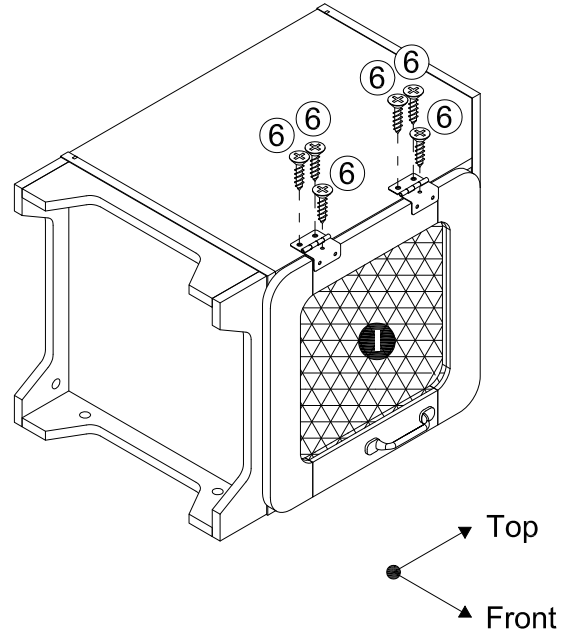
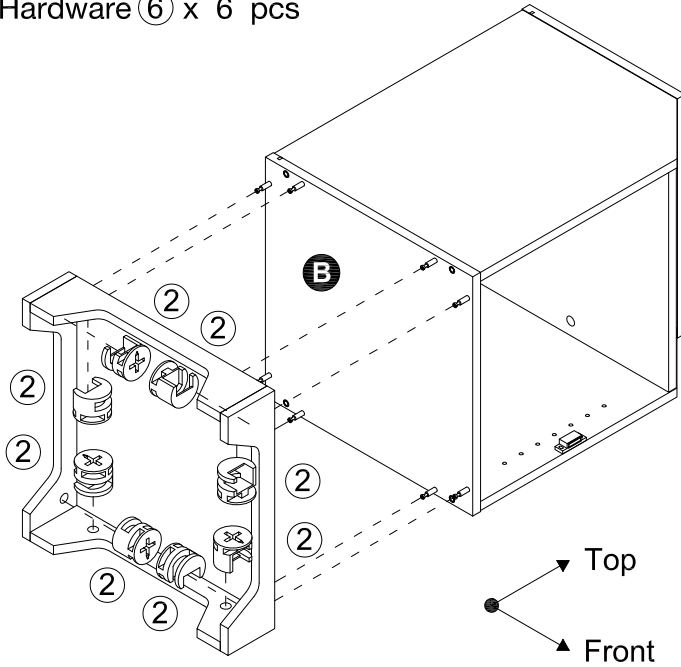
- Part **G** x 2 pcs
- Part **H** x 2 pcs
- Hardware **1** x 8 pcs



ASSEMBLY INSTRUCTIONS

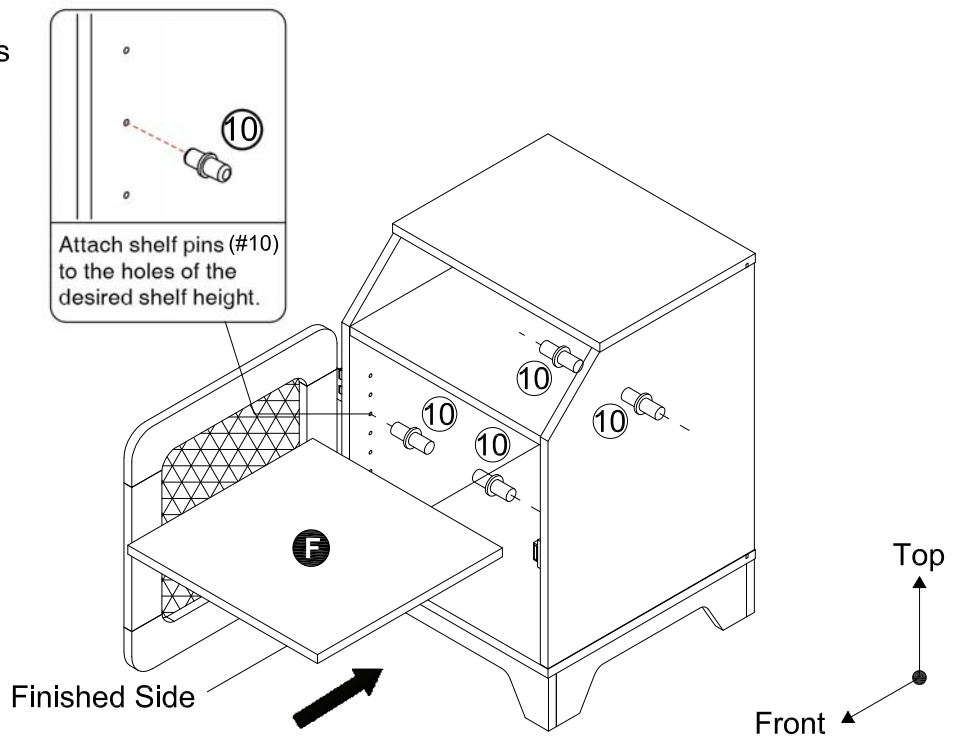
7

- Part 1 x 1 pc
- Hardware 2 x 8 pcs
- Hardware 6 x 6 pcs



8

- Part F x 1 pc
- Hardware 10 x 4 pcs

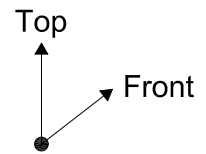
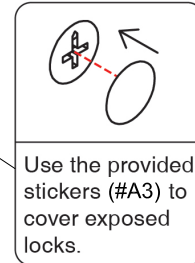
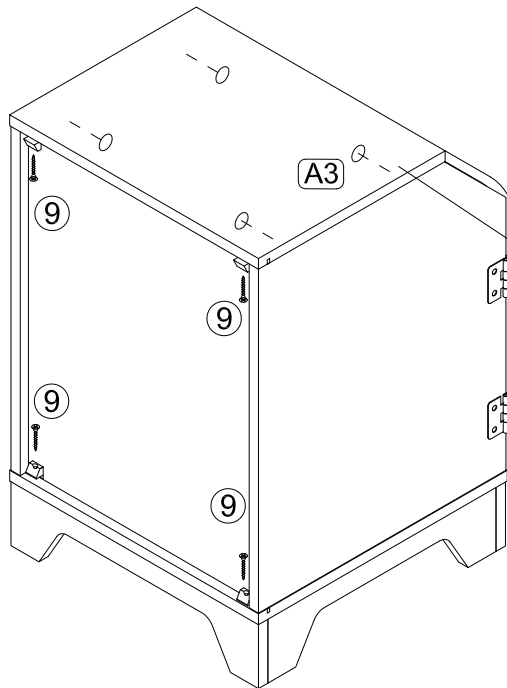
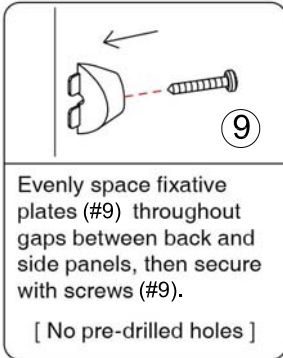


ASSEMBLY INSTRUCTIONS

9

Hardware (9) x 4 pcs

Accessory (A3) x 4 pcs



10

ASSEMBLY COMPLETED



Please ensure the furniture rests on an even and flat surface. If the product wobbles or feels loose, double-check all bolts and/or screws are properly tightened and secured.

✓ Keep this handy!

Please retain this instruction manual and any order-related information for future reference.

✓ Lift, don't drag!

To avoid damage to product please always LIFT the product when transporting or adjusting the placement.

