


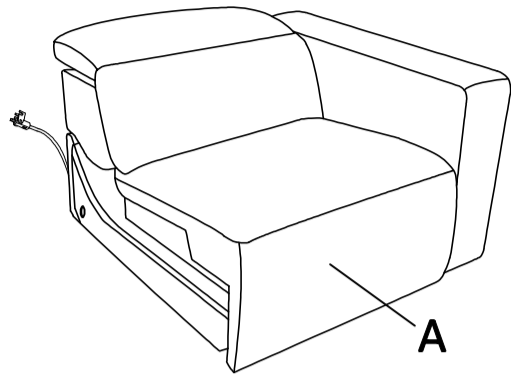
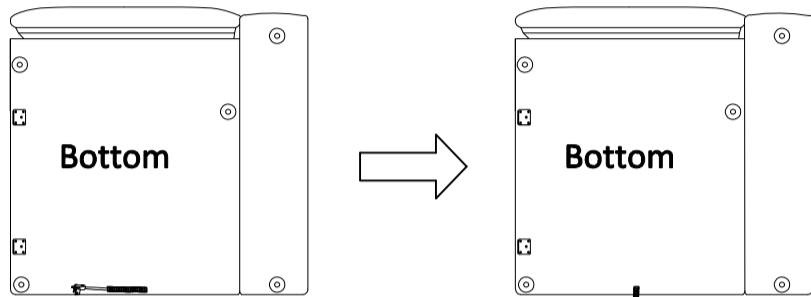
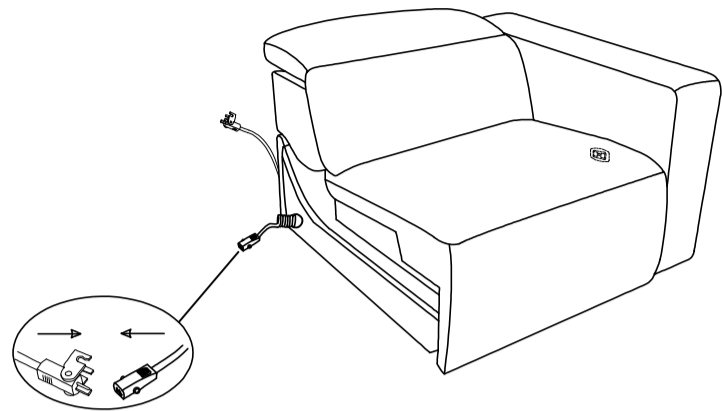


<b>A</b>		1pc	<b>Body</b>
<b>B</b>		1pc	<b>Transformer</b>
<b>C</b>		1pc	<b>Charger</b>

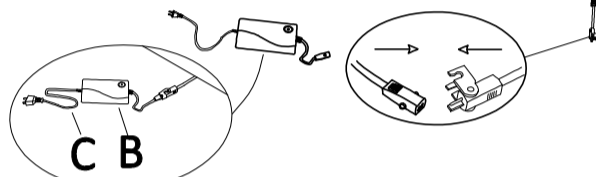
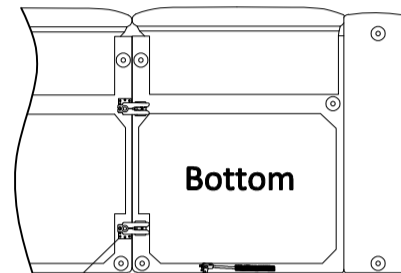
① Pull the power input wire from the back of the body, connect with the transformer and charger.



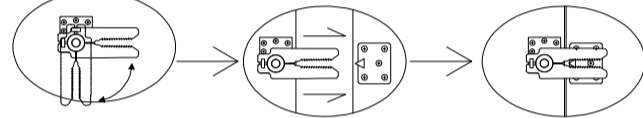
② Take out the wire connector from the side and connect with other pieces.



③



Connect B and C



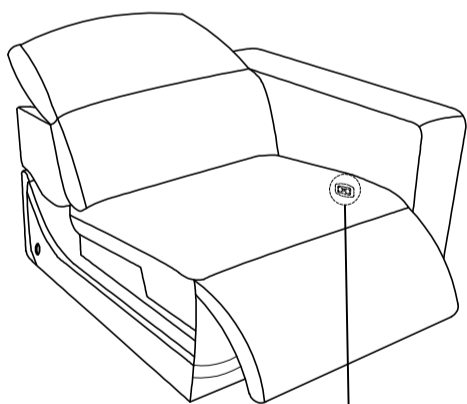
Product description: 237024-Radley Motion RAF PC



**FOUR HANDS**  
FURNISHING STYLE

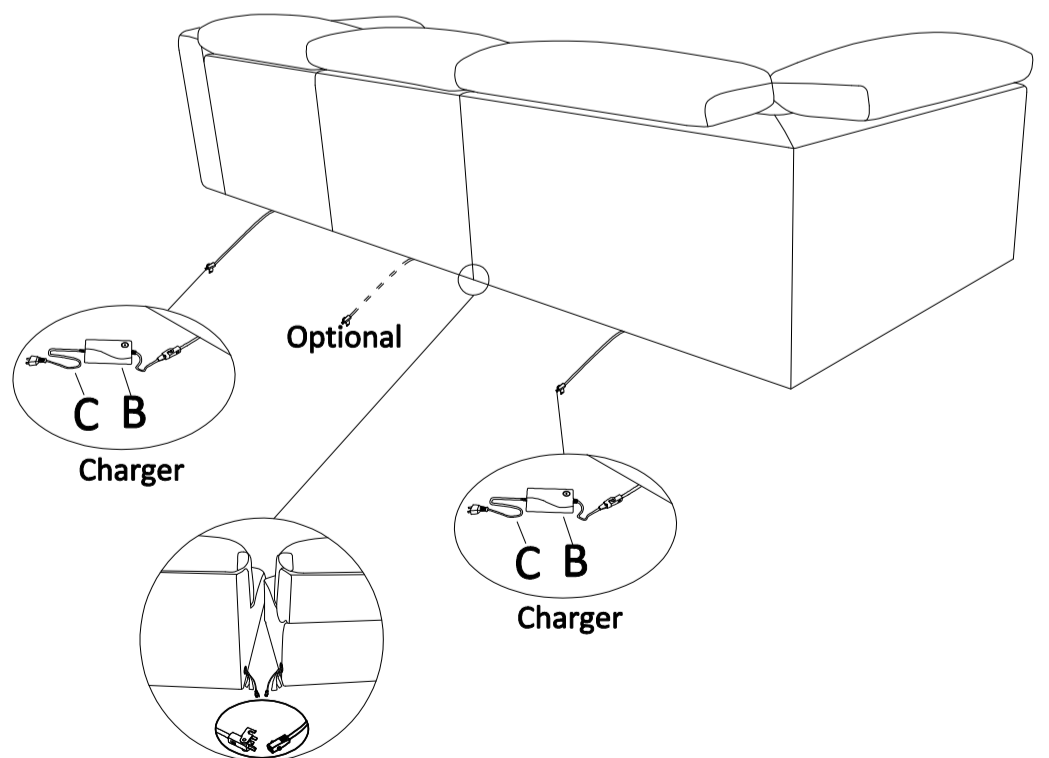
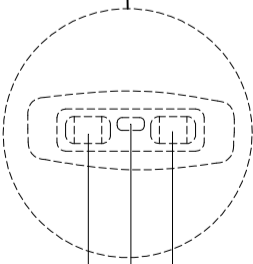
CONFIDENTIAL AND EXCLUSIVE  
PROPERTY OF FOURHANDS  
LLC@2017 Four Hands, Inc.  
ALL rights reserved

④ Find switch panel on the side of the seat cushion .



⑤ Each charger can support running maximum 2 pieces at the same time.

Headrest control button  
Footrest control button  
Home button



Product description: 237024-Radley Motion RAF PC



**FOUR HANDS**  
FURNISHING STYLE

CONFIDENTIAL AND EXCLUSIVE  
PROPERTY OF FOURHANDS  
LLC@2017 Four Hands, Inc.  
ALL rights reserved