



# Classic Warmrail & Drying Rack

Thank you for purchasing the Heatra Classic Warmrail & Drying Rack. We are sure it will make a valuable addition to your home. As well as warming your towels, your Heatra Classic will keep your towels dry and fresh. In fact, you can even use your Warmrail for heating robes and blankets as well as drying laundry items and garments you don't want to put into the tumble dryer!

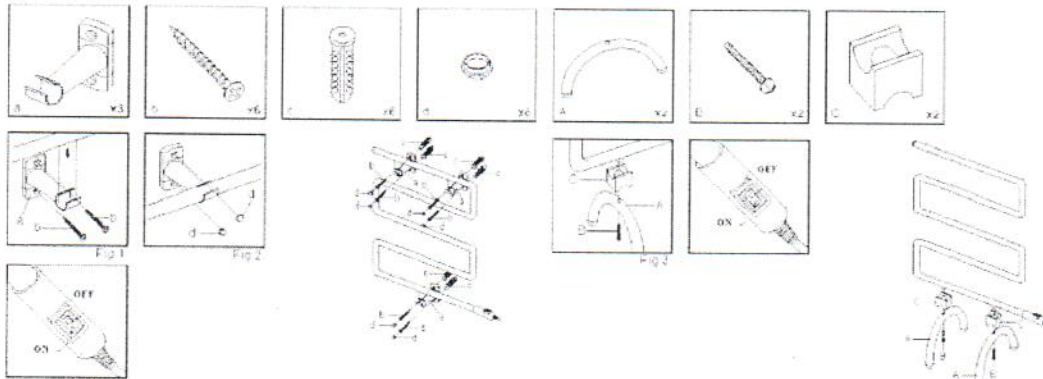
To get the best results from your Heatra Classic, towels should be folded over a couple of times to allow the heat to build up in the fiber of the towel. Avoid placing the Warmrail in an area where it is drafty or likely to be knocked over.

There are two ways to use your Warmrail. One is to attach it to the wall using the wall brackets, which are included, and the other is free standing with the included hardware.

## Wall-Mount

1. Remove the Warmrail from the carton and lay it flat on the floor or a table. Remove the components from the backing and make sure all pieces are present. (Do not try to install the Warmrail if any parts are missing. Contact customer service for replacement parts).
2. Remove the legs, spacers and screws and store them in a safe place in case you wish to use them later.
3. Take the three wall-mounting clips, the six screws, the toggle inserts and the screw caps from the bag (see pictures a,b,c,d).
4. Place the Warmrail against the wall in the position you would like it to be. Mark the height of the top and bottom rails as well as that of the side bars.
5. Position one wall-mounting clip in the middle of the bottom rail and the two wall-mounting clips at either end of the top rail. (If possible it is best to try and have at least one of the wall-mounting clips screwed directly into a stud). See Fig 1.
6. Once you have the Warmrail in place, insert the screw caps into the wall-mounting brackets, see Fig 2.
7. Plug the cord into a 120V outlet and turn the Warmrail on at the switch.

Your Warmrail will start to heat up almost immediately. Temperature will vary depending on the temperature of the surroundings.



## Freestanding

1. Remove the Warmrail from the carton and lay it flat on the floor or a table. Remove the components from the backing and make sure all pieces are present. (Do not try to install the Warmrail if any parts are missing. Contact customer service for replacement parts).
2. Remove the wall-mounting clips, screws, toggles and screw caps and store them in a safe place in case you wish to use them later.
3. Locate the two legs, screws and spacers (pictures A,B,C).
4. Place the spacer over the screw holes welded to the bottom of the lower bar.
5. Position the leg in place and put the screw through the hole in the leg, through the spacer and screw it tightly into the bottom rail. See Fig 3.
6. Place the Warmrail on level ground and make sure it is sturdy and doesn't rock. You can make slight adjustments by loosening the screws, moving the legs and retightening. (The legs must be firmly attached before turning your Warmrail on).
7. Plug the cord into a 120V outlet and turn the Warmrail on at the switch.

Your Warmrail will start to heat up almost immediately. Temperature will vary depending on the temperature of the surroundings.

## READ THESE INSTRUCTIONS CAREFULLY

### WARNING

- Your Classic Warmrail & drying rack is not a toy. It will heat up and may appear hot to the touch. It is safe to leave your Warmrail running continuously 24 hours a day, but it should be used responsibly at all times.
- This product should not be used outdoors.

### HIGH OPERATING TEMPERATURE:

- This towel warmer operates at high temperatures that can cause burns.
- Do not touch surfaces of the towel warmer while the warmer is in operation.
- Do not allow unsupervised children in the vicinity of the towel warmer, and warn children of hot surfaces.

### TO AVOID THE POSSIBILITY OF ELECTROCUTION:

- Do not immerse towel warmer in water or any other liquid.
- Do not place towel warmer in a location where it may fall into a tub or shower, or otherwise become immersed in water; and if the towel warmer falls into water, immediately unplug it. Do not reach into the water.

This product has a limited warranty for one full year from the date of purchase. Please keep your receipt for your records. If your Warmrail is defective or you have questions, do not return it to the store but rather call toll free (866) 4-HEATRA.