

Assembly Instructions

King Bed

N757P422537/538

Case & Maintenance



Not for commercial use. For residential use only.



Furniture may scratch floors. We recommend using furniture pads to protect your floors.



Do not put hot items directly on furniture surface.



Do not clean furniture with harsh cleansers or polish.



Do not place furniture under direct sunlight.



Do not write on furniture near heating or cooling vents.



Do not write on furniture without a padded barrier to protect the surface.



Do not place furniture outside for indoor use only



Stains may be removed with mild soap solution and damp cloth.



Children should not climb or jump on the furniture.

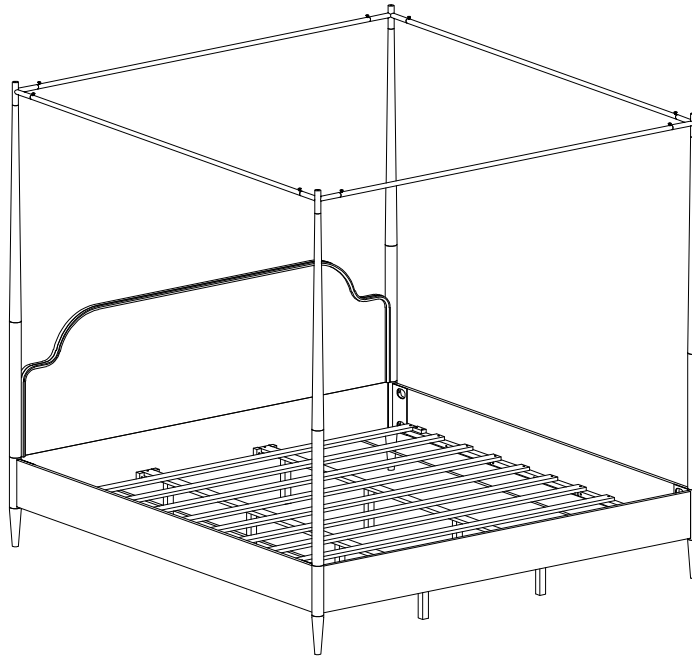


Dust and pick-upspills using a clean, non-colored, lint-free cloth.

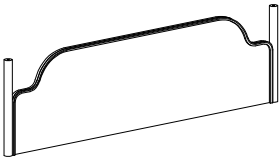
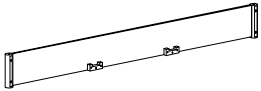
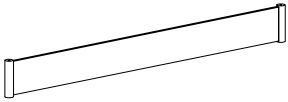
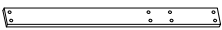
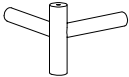
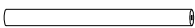


Please look in the box for hardware packs and legs.

Sets oftenship in multiple boxes and may arrive a day or two apart.

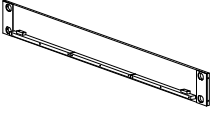


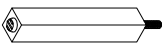
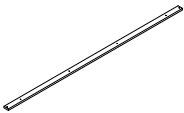
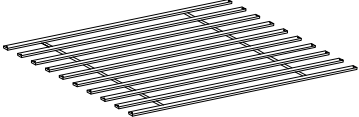
King Bed
N757P422537




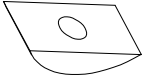

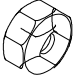
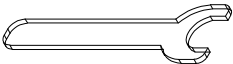
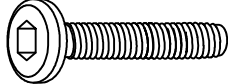
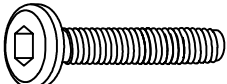


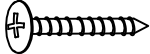

Part List :N757P422537

Label	Picture	Description	QTY
①		Headboard	1
②		Headboard Storage	1
③		Footboard	1
④		HB Support Post	4
⑤		Connector Bracket	4
⑥		Lower Bed Post	2
⑦		Bed Legs	4
⑧		Up Bed Post	4

Part List : N757P422538

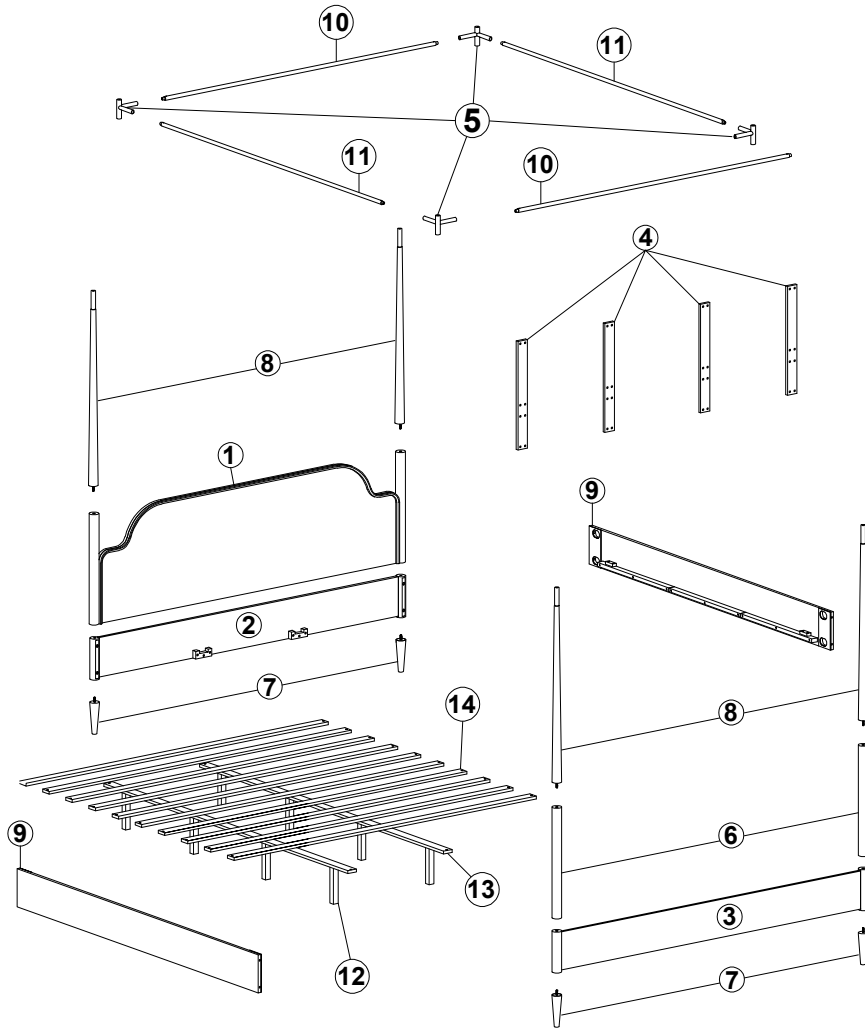
Label	Picture	Description	QTY
⑨		Side Rail	2
⑩		Upper Cross Side Rail	2
⑪		Upper Side Rail	2
⑫		Center Support Leg	8
⑬		Middle Support bar	2
⑭		Slats	1





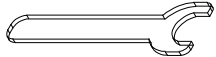
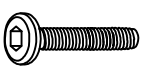
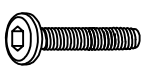
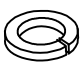



Hardware






Label	Picture	Description	QTY
A		Bolts(5/16"x80mm)	8+1
B		Curved Washer (5/16")	8+1
C		Flat washer(5/16")	8+1
D		Hex Nut (5/16")	8+1
E		Wrench key	1+1
F		Bolts(1/4"x15mm)	12+1
G		Bolts(1/4"x30mm)	32+1
H		Lock washer(1/4")	32+1
T		Flat washer(1/4")	32+1
K		Screw(4x25mm)	24+1
N		Allen Key (M4)	1+1

Assembly Preparation

Before Beginning assembly:

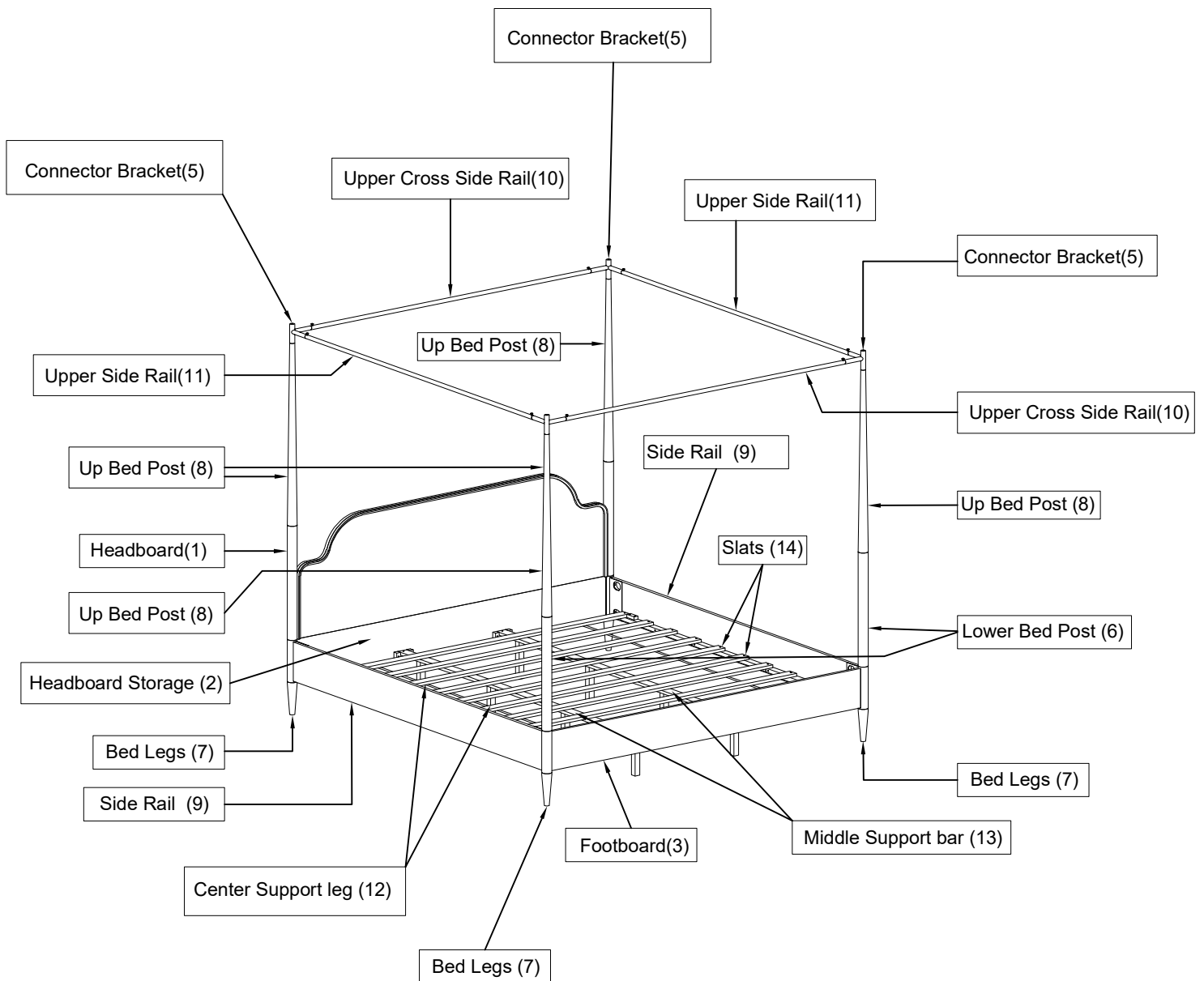


(A)  x 8pcs+1	(B)  x 8pcs+1	(C)  x 8pcs+1	(D)  x 8pcs+1
(E)  x 1pcs+1	(F)  x 12pcs+1	(G)  x 32pcs+1	
(H)  x 32pcs+1	(T)  x 32pcs+1	(K)  x 24pcs+1	(N)  x 1pcs+1

-  Read the instructions cover to cover
-  Have 2 adults on hand for assembly
-  Do not assemble on flooring or carpet
-  Assemble on a clean, non-marring surface (packing foam)
-  Save all packaging until finished

Assembly Steps

OVERVIEW

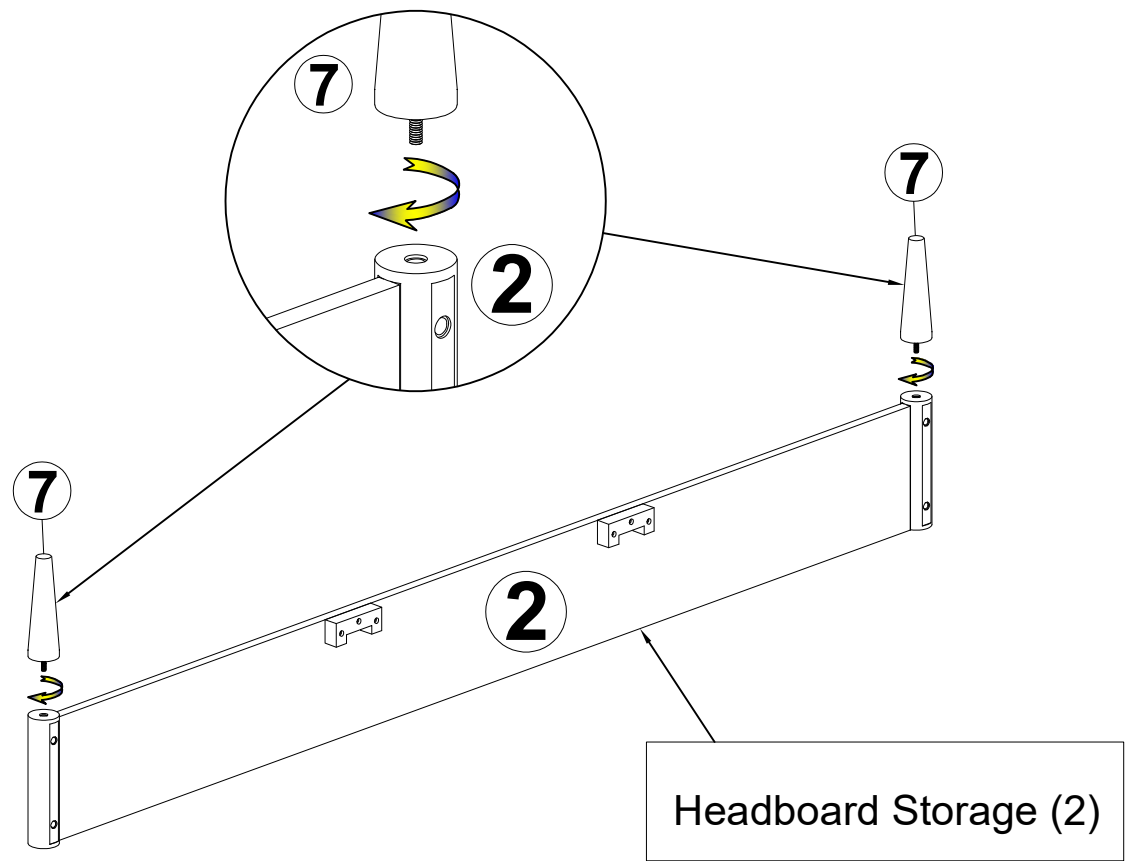


FRONT FACING

This Bed have multiple parts and may require up to 30 minutes to assemble. To give you an overview of the Bed parts, the above picture is to help you put the various parts into perspective. Please read through the instructions below to familiarise yourself with the parts and steps before assembly.

Note: It is recommended that you have an adult partner to assist during the entire assembly process.

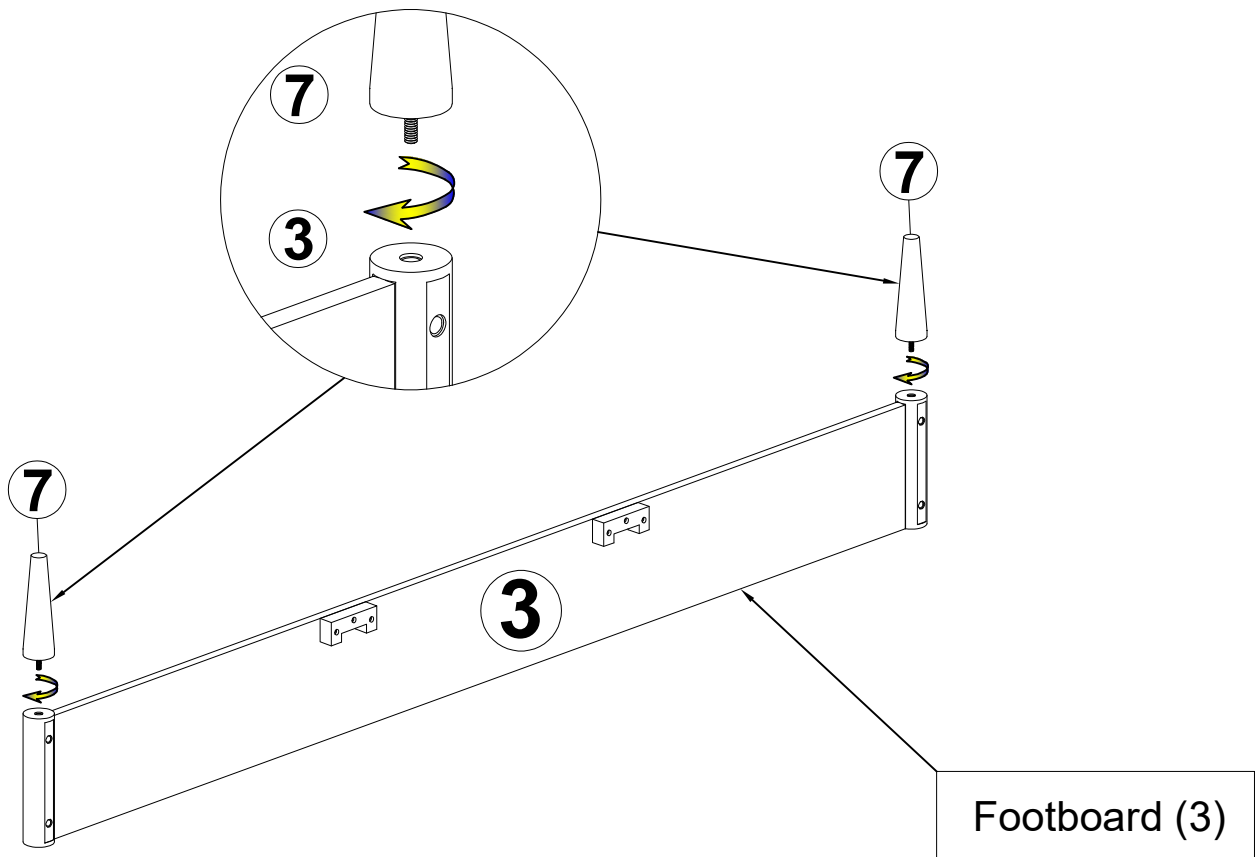
Step 1



Connect the bed legs (7) with the headboard Storage(2)

(Note : Tighten the bed legs.

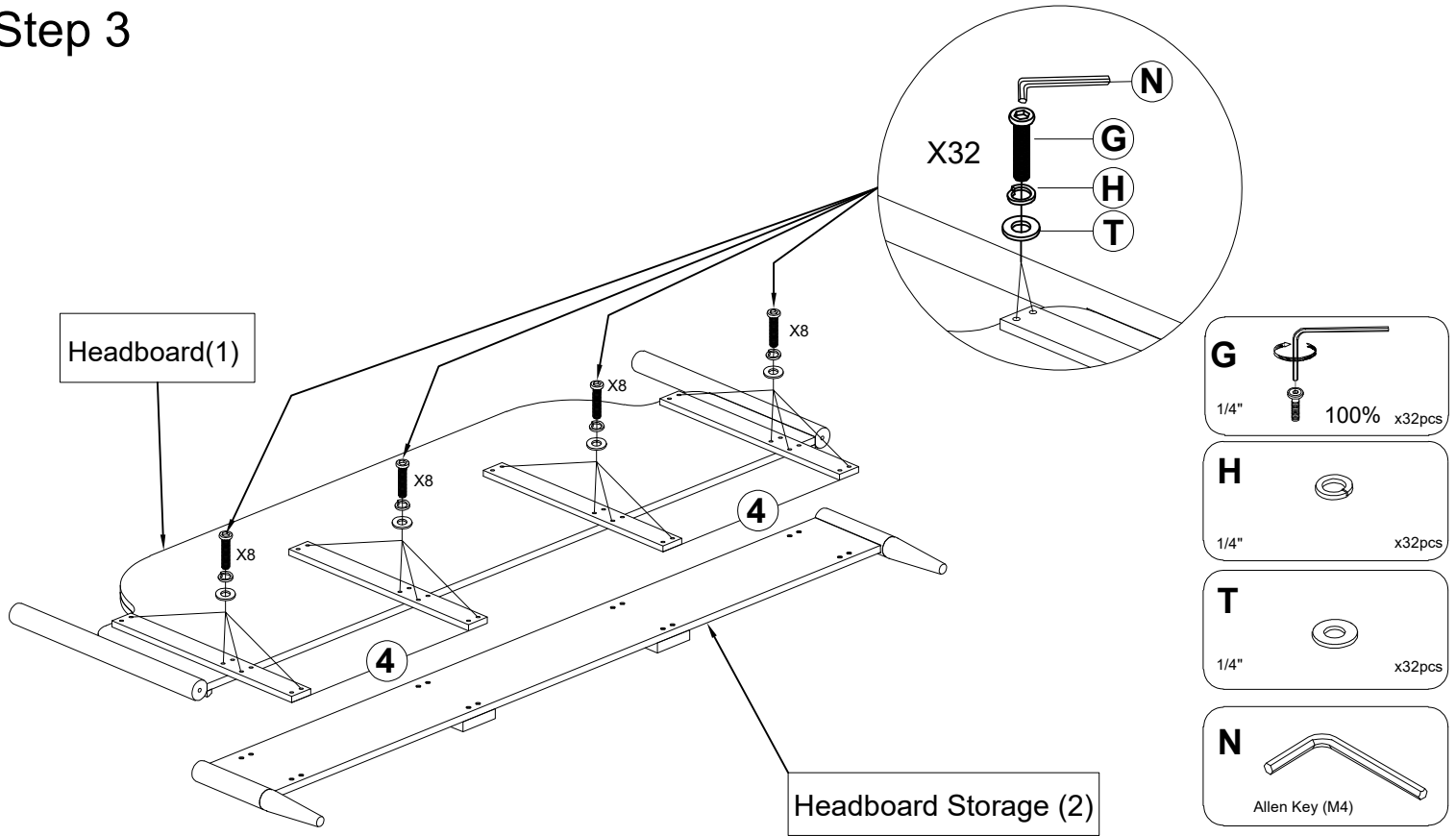
Step 2



Connect the bed legs (7) with the footboard (3) of the bed

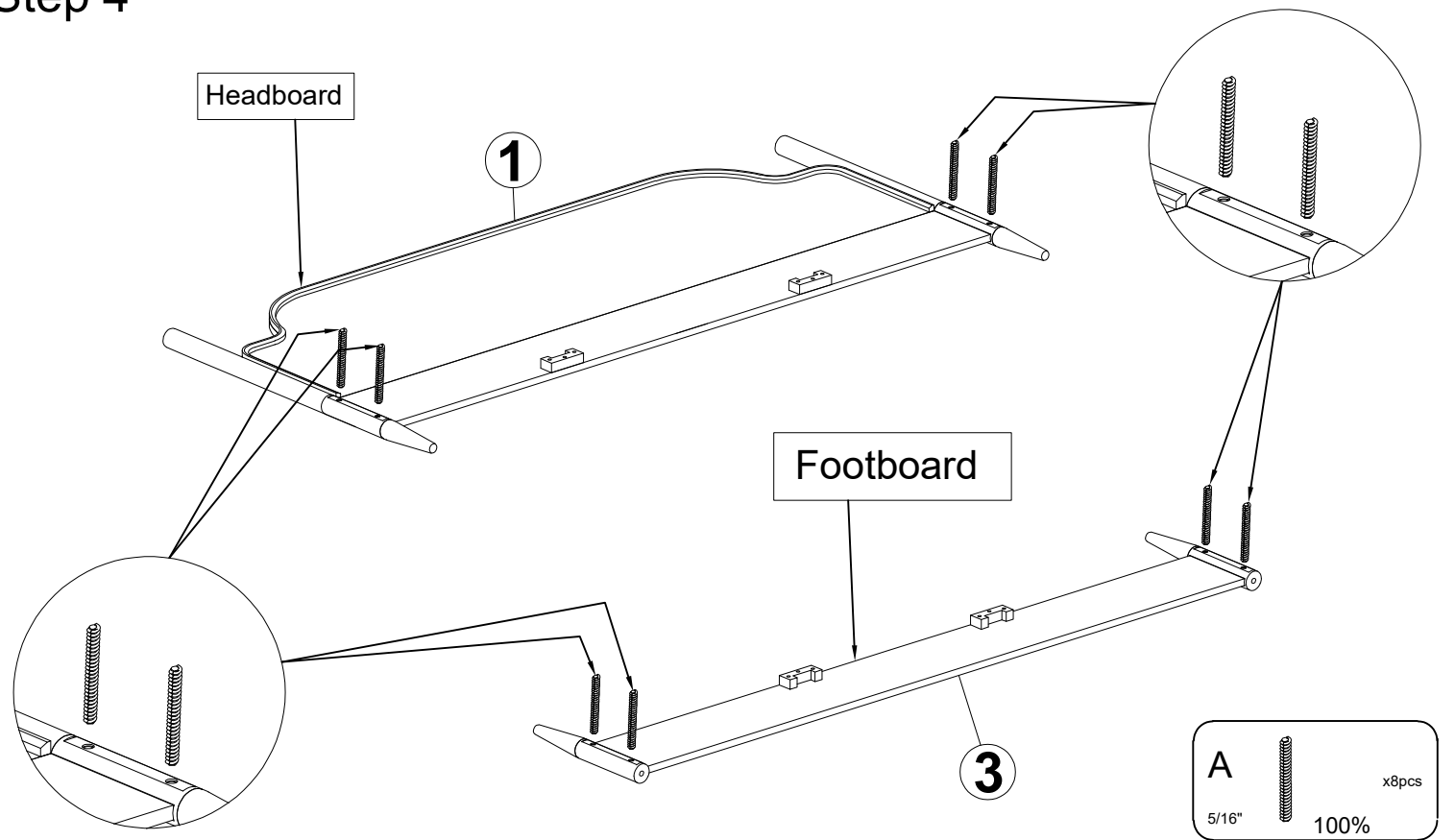
(Note : Tighten the bed legs.

Step 3



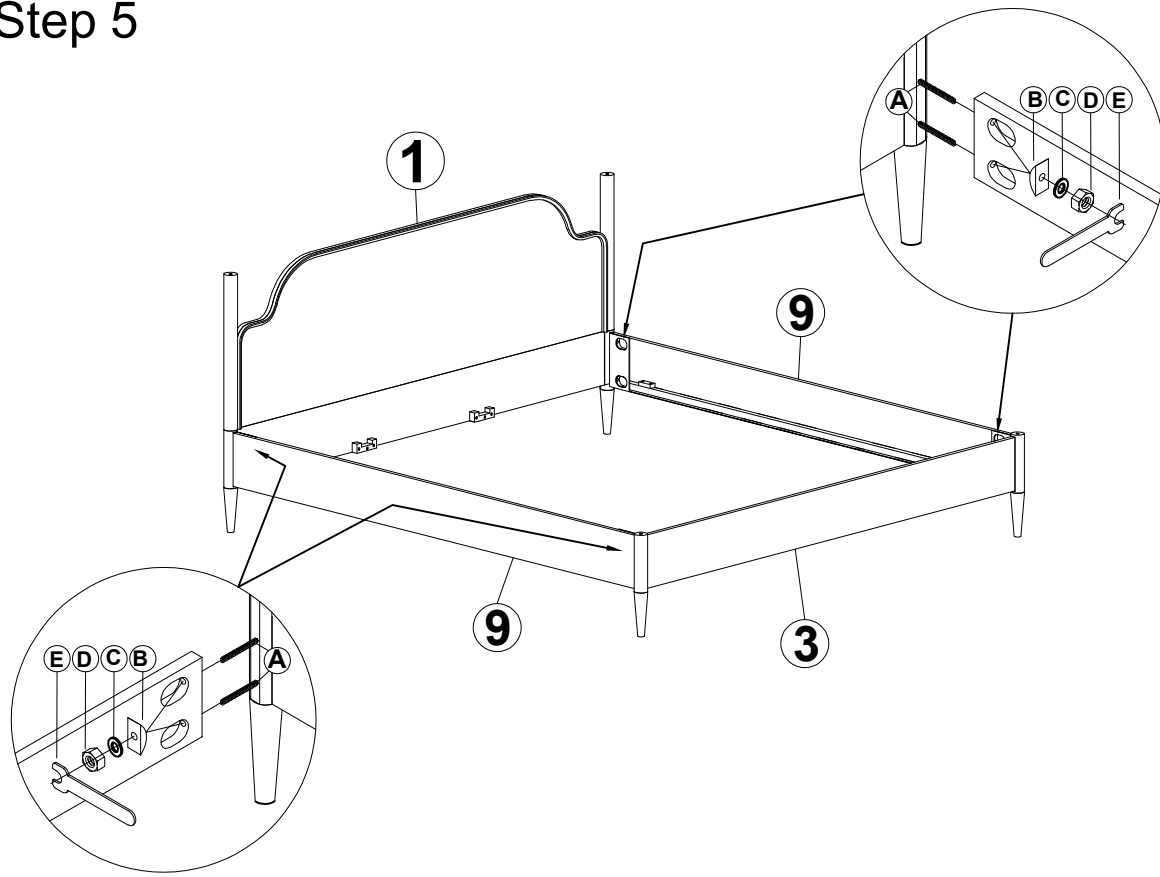
Attach the Headboard (1) to the Headboard Storage (2), attach the Support Post (4).
 By using the Bolts (G) Lock washer (H) and Flat washer (T) with Allen Key(N) to tighten the Bolts(G).
 (Note :The headboard and footboard must be aligned.)

Step 4



Use the Bolts (A), to connect to the headboard(1) and footboard(3)

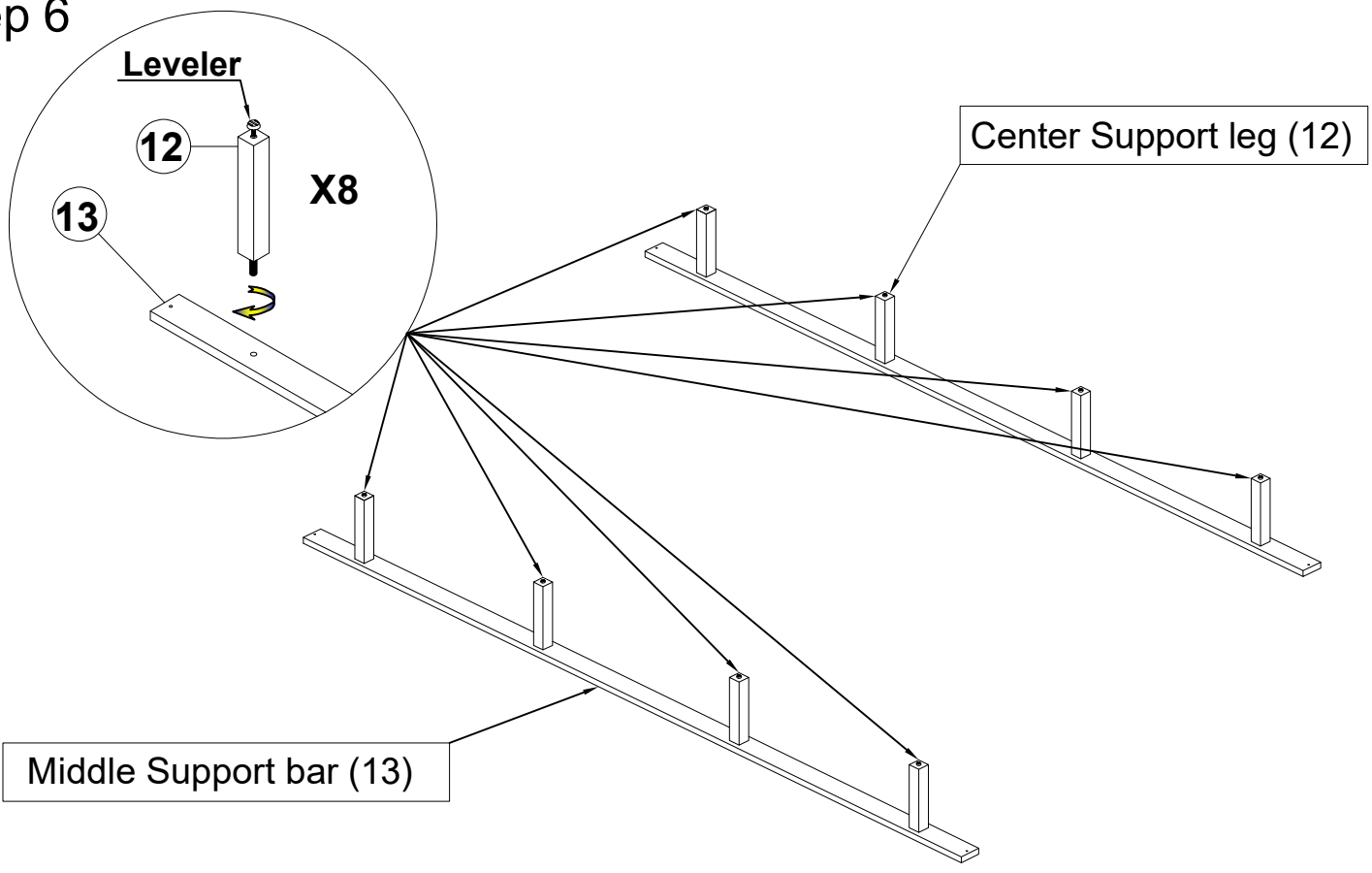
Step 5



- B**
5/16" x8pcs
- C**
5/16" x8pcs
- D**
5/16" x8pcs
- E**
Wrench key

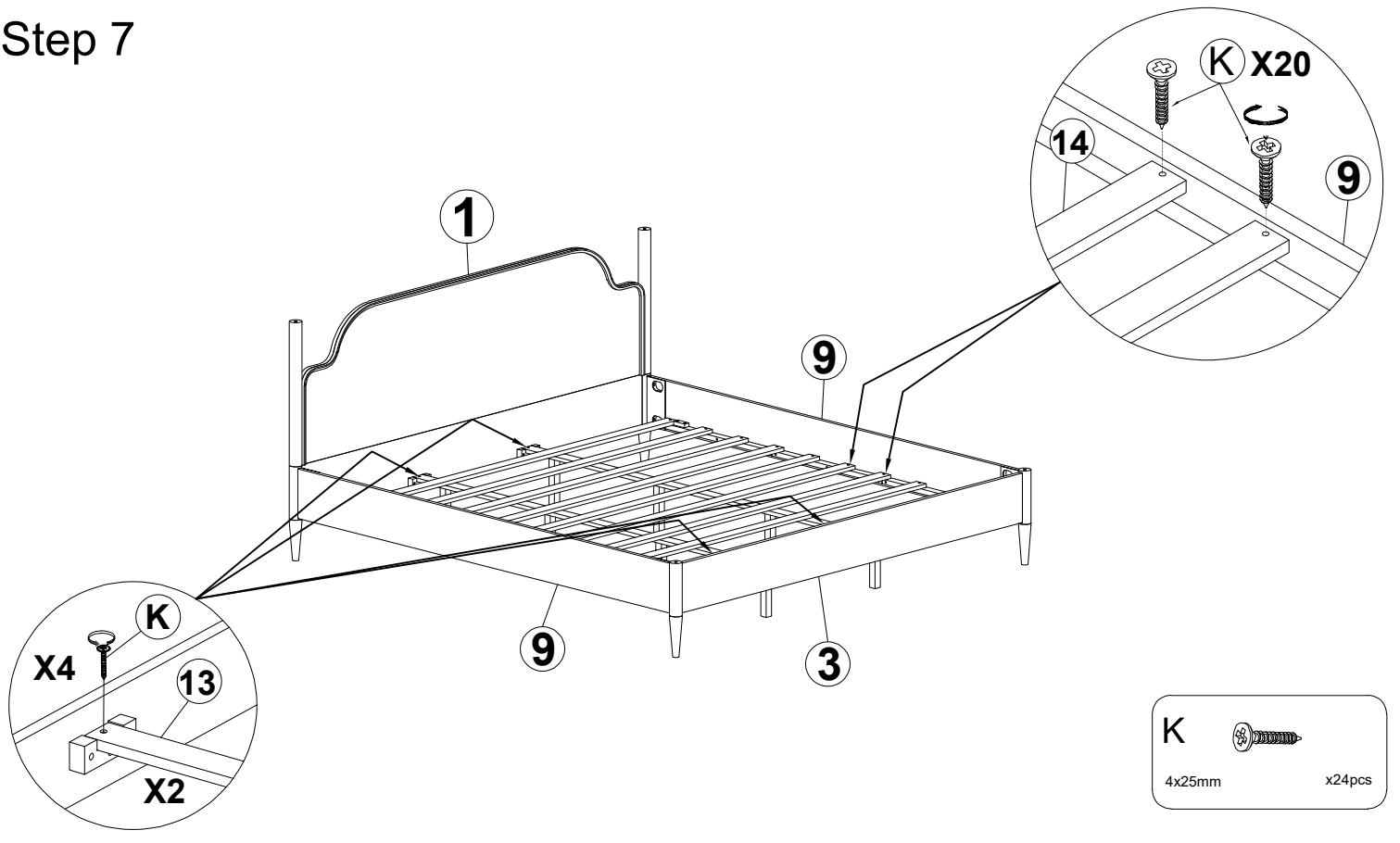
Attach the Side Rail (9) to the Headboard (1) and footboard (3) by using Curved washer (B) and Flat washer (C) Hex Nut (D). Then use Wrench Key (E) to tighten the bolts

Step 6



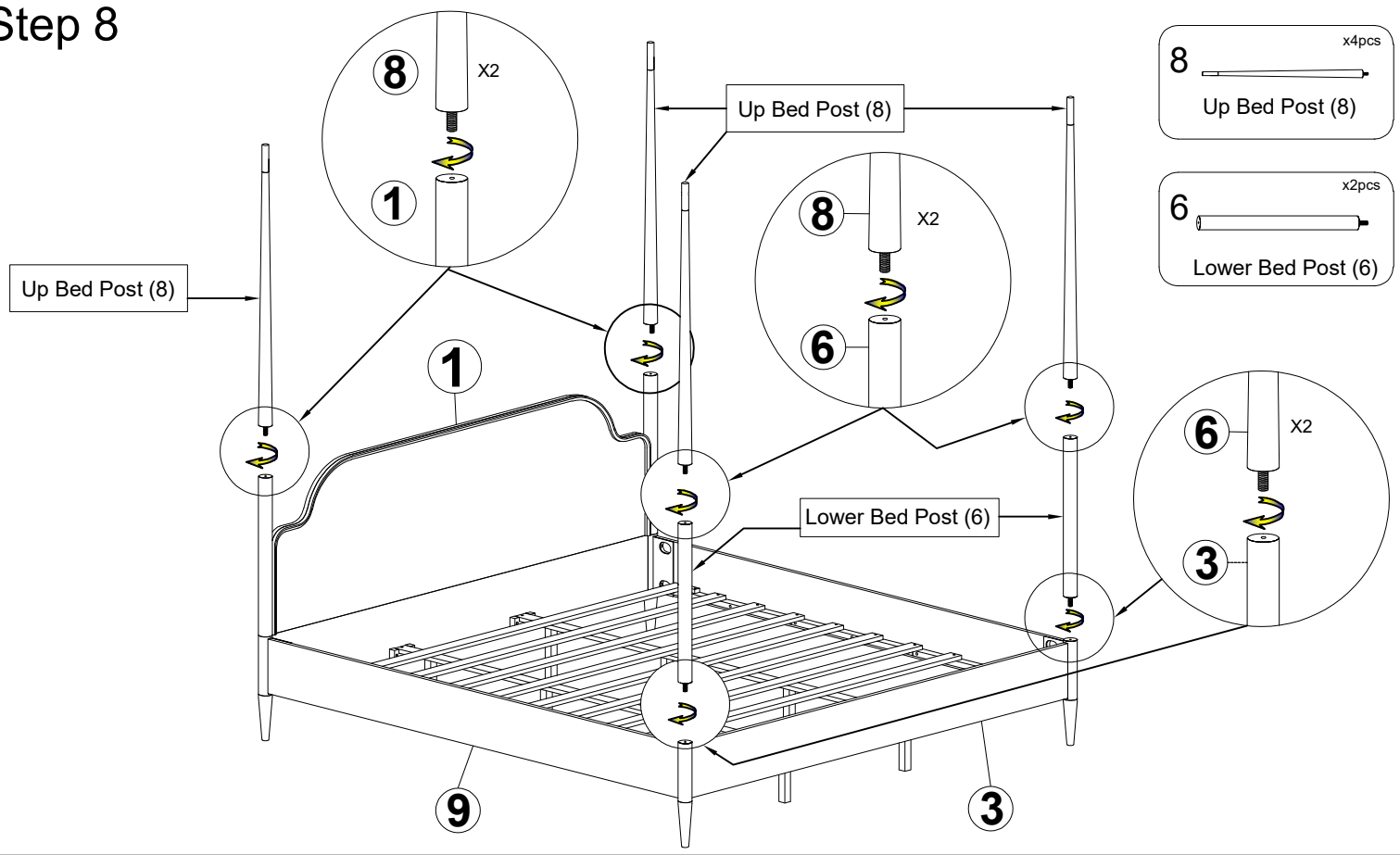
Use the Center Support (12) to connect to the Middle Support bar (13)

Step 7



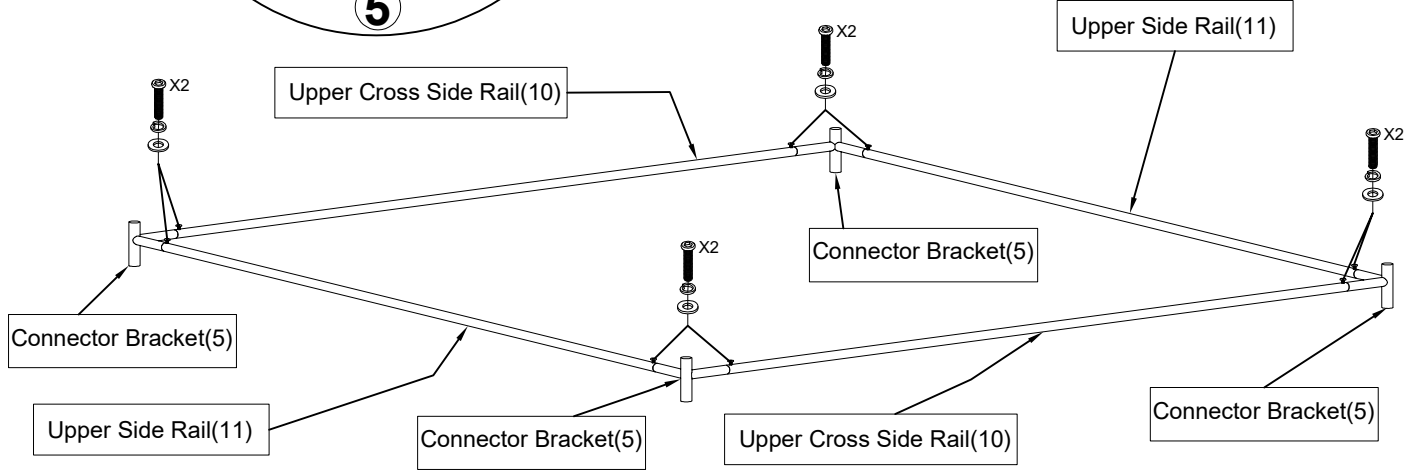
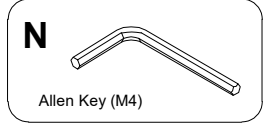
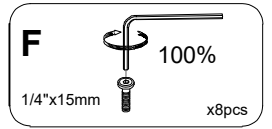
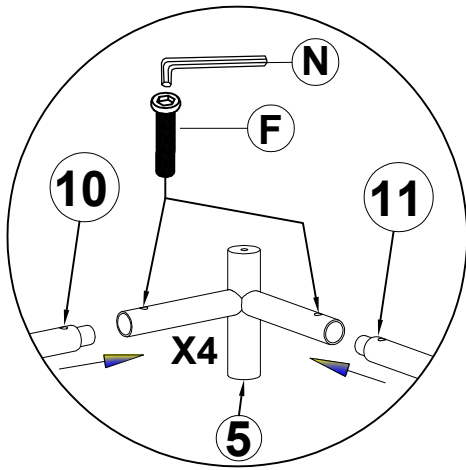
Assemble the Middle Support bar (13) to the Headboard (1) and footboard (3). Use Screw (K)
 Assemble the Slats (14) to the bed Sides Rail (9). Use Screw (K)

Step 8



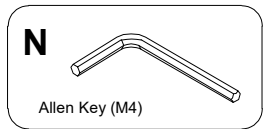
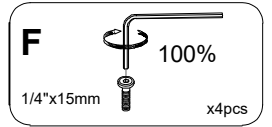
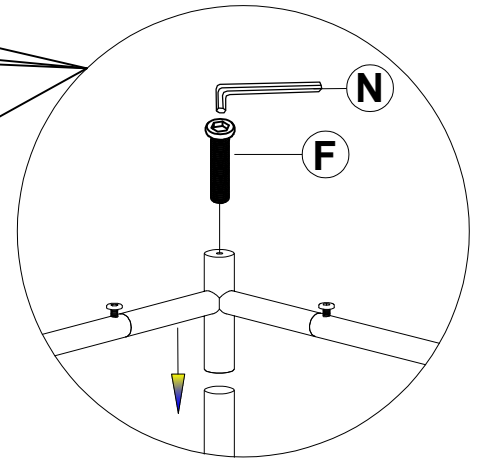
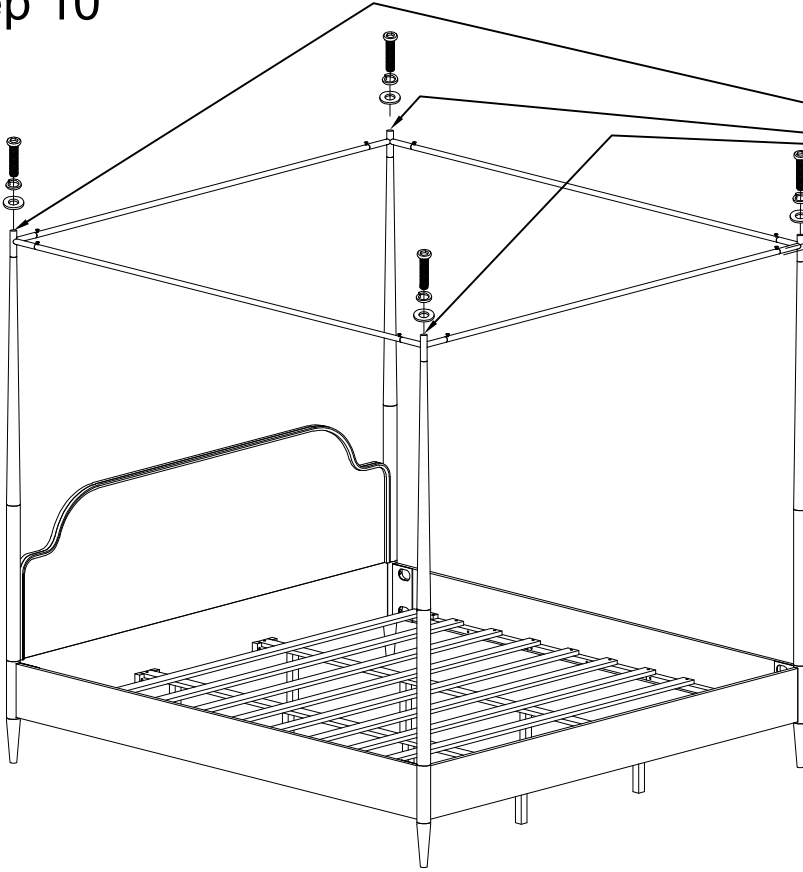
Assemble the Lower Bed Post (6) to the Footboard (3) Then, assemble Up Bed Post (8) With Headboard (1) and Footboard (3).

Step 9



Assemble the Upper Side Rail (11) and Upper Cross Side (10). to the Connector Bracket (5) By using the Bolts (F) Then tighten the Bolts (F) with Allen key(N)

Step 10

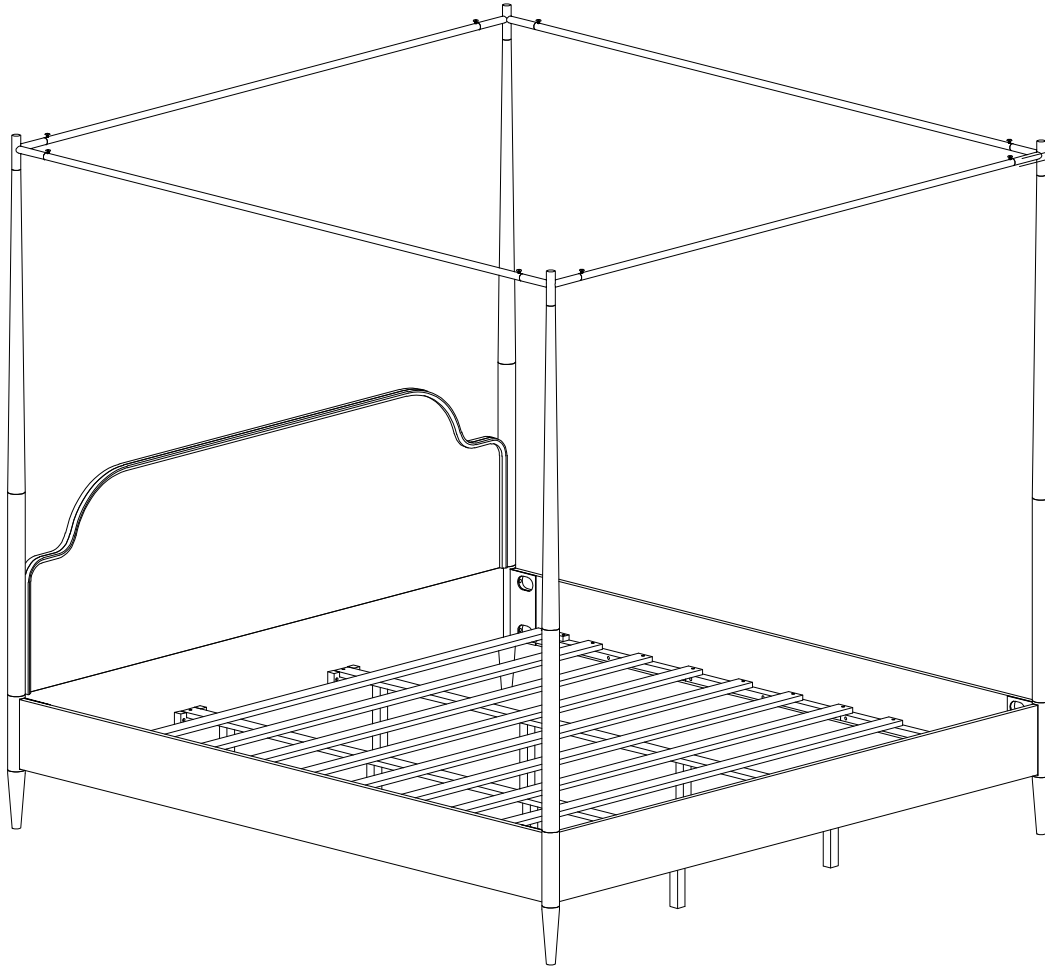


Assemble the Connector Bracket (5) with Up Bed Post (8) By using the Bolts (F) Then tighten the Bolts with Allen key(N)

Finish

King Bed

N757P422537/538



Place the Bed on a **LEVEL SURFACE**.
Inspect it and make sure all parts are adequately connected.
Don't push too hard, shake on the bed.
This would help to align all the parts at the joint areas.

CAUTION 1: When tightening these screws, tighten sequentially.
DO NOT tighten any screws fully and then towards the next one.
This would cause the frame to warp.
If there is still wobbles, loosen the screws and execute this same process. **DO NOT**
tighten any screws fully and then towards the next one.

WARNING!! IF BED IS NOT STABLE, IT COULD LEAD TO DAMAGING THE PRODUCT.
Ensure all screws are fully locked into position.
The bed is ready to be used.
Caution 2: This bed can only be used on a flat, level surface.