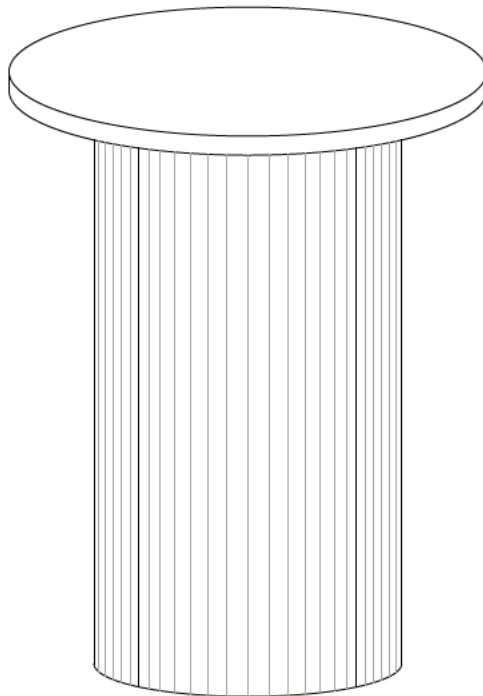


17.7" Tall Pedestal Wood Round End Table



NOTICE

Please keep these instructions for future reference.

Dear Customer

● Thank you for your purchase. When you receive the product, please make sure that all the parts are intact. If any parts are missing, please contact us promptly to request replacement parts.

● Then follow the entire installation instructions to install.

● Each part is crucial, so please be careful not to lose any. It is recommended to store parts with different lettered identifiers in separate boxes or bags to avoid confusion during installation.

A . The outer box is damaged

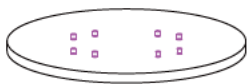


B . The product is damaged / bent / cracked while you open the box




C . The parts / accessories / assembly tools are missing

D . The instructions are not clear and can not be referred

E . The product has functional problems

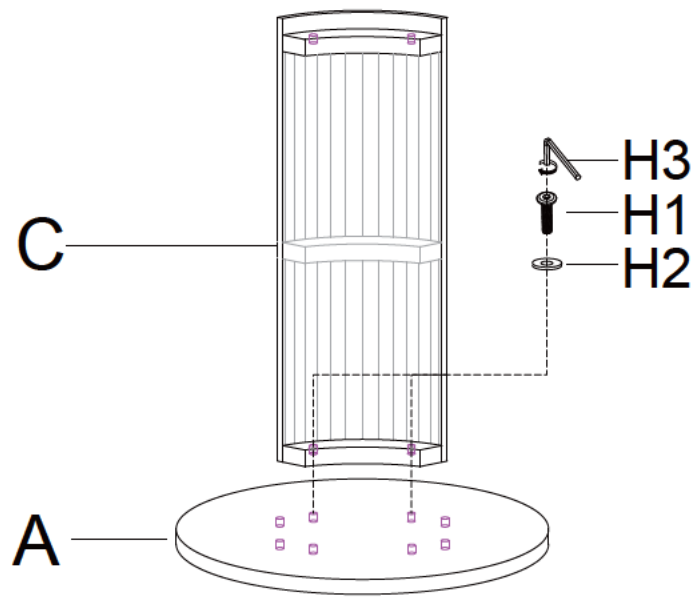
PART LIST

PART	DRAWING	DESCRIPTION	QTY
A		Table board	1
B		Base	1
C		Side panels	4

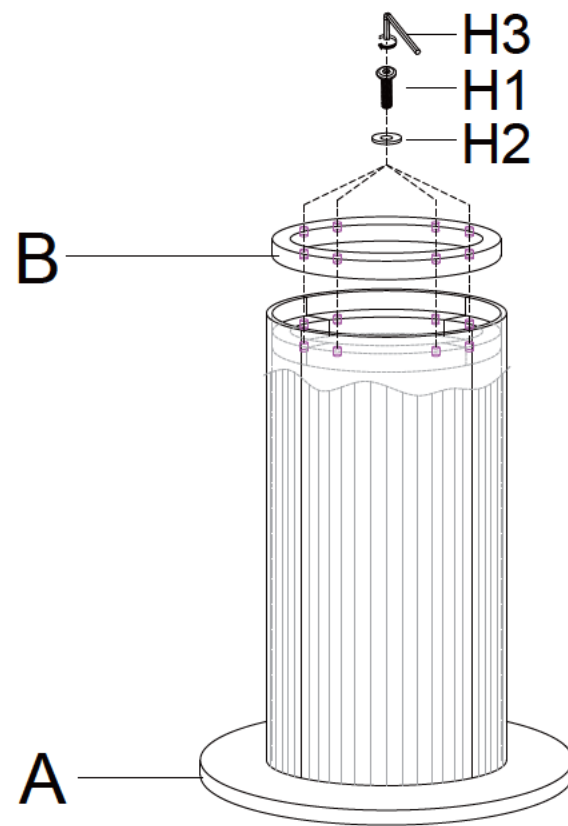
PART	DRAWING	DESCRIPTION	QTY
H1		Screw	16
H2		Gasket	16
H3		L tool	1

STEP

1



2



Note: Do not lock the screws until the screw is finished!