

# ASSEMBLY INSTRUCTIONS

Thank you for purchasing this quality product. Please read the instructions thoroughly before unpacking the assembly parts.

Caution: sharp exposed staple tips can cause injury, therefore for your protection, please remove any exposed staples used in packing.

Please keep all hardware parts out of the reach of children.

1. We recommend that you should assemble this product with the assistance of another person; this will make the assembly easier, and will help to prevent personal injury and to insure parts are not damaged during the assembly process.

2. Before beginning, please check the packing materials carefully for small parts which may have come loose inside the carton during shipping. Please do not discard any packing material until all parts have been located. If any parts are missing, please contact your dealer for prompt replacement.

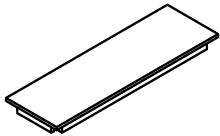

3. To prevent damage to your floor or carpet, please check the bottom of each piece of furniture for stain residues and rough surfaces and also check for staples or nails left after removing the packing materials. The manufacturer will not be held responsible if preventive steps are not taken prior to installation.

4. Please do not over tighten screws or bolts. During normal use everyday, screws, bolts, nuts and wooden plugs may loosen up. They should be periodically inspected and re-tightened to prevent damage to the furniture and (or) personal property or cause injury. Always check to be sure all hardware on this list and the below mentioned components are attached to the furniture properly and kept tightened.

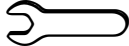



5. Please lay all parts and hardware on a non abrasive surface such as a carpet, and follow the assembly

This product will take 10-15 minutes to assemble

## Components List :

NO	DESCRIPTION	SKETCH	QTY
A	Bench Seat		1pcs
B	Bench Leg		4pcs

## Hardware List :

NO	DESCRIPTION	SIZE	SKETCH	QTY
1	Wrench	12x75 mm		1pc
2	Hex-Nut	5/16"		8pcs
3	Spring Washer	5/16" x Ø12		8pcs
4	Flat Washer	5/16" x Ø19		8pcs

**TIP:** store the Allen key and or Wrench used in assembly in this product's drawer or use masking or painter's tape to affix it to the underside of the product. This will make it easier to find if you want to periodically tighten Hex-Nuts or disassemble the product.

### Reminders

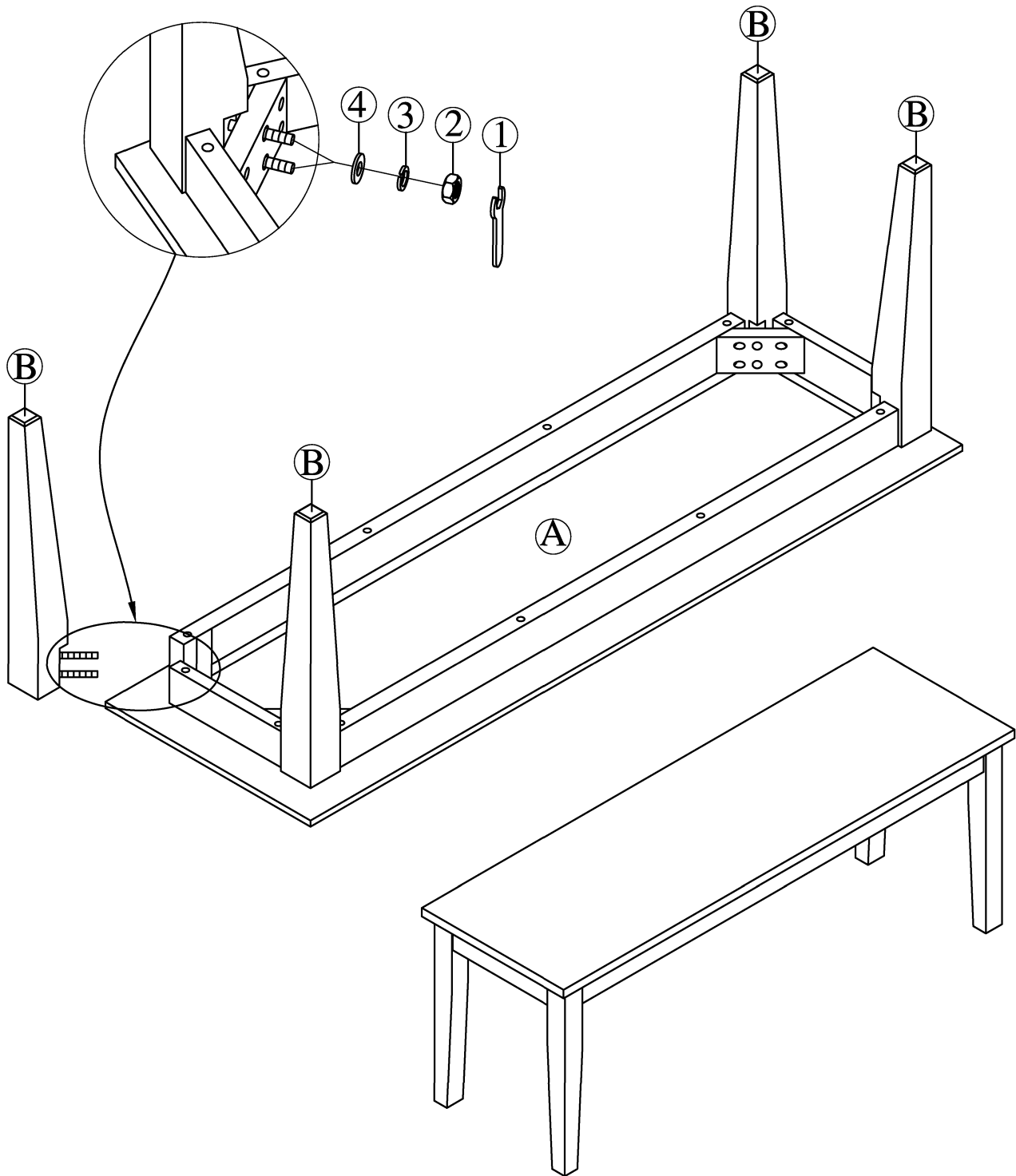
1. Use only the hardware supplied.
2. Once the chair is finished, level and tighten all the bolts.
3. Do not over-tighten bolts.
4. This item may require periodic tightening.

### NOTE :

1. Hardware pack is located underneath the Bench Seat (A).
2. Two or more people are needed for assembly. Please keep all hardware parts out of the reach of children.

# ASSEMBLY INSTRUCTIONS

Place the Bench Seat (A) upside down on the floor with a piece of cloth or carpet underneath to prevent the Bench Seat from becoming damaged. Attach the Bench Leg (B) to the Bench Seat (A) and secure with Flat Washer (4), Spring Washer (3) Hex-Nut (2). Tighten Hex-Nut (2) with Wrench (1).



Assembly is now complete  
Thank you for purchasing this product.