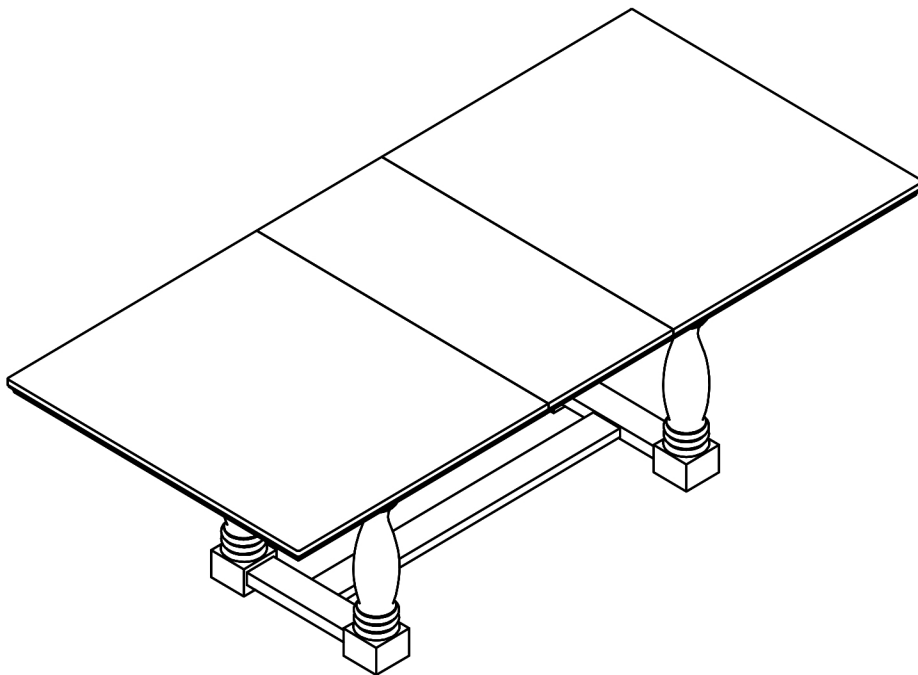


ASSEMBLY INSTRUCTIONS



TOOLS REQUIRED



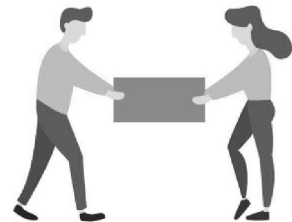
Allen Wrench

(Included)



Phillips
Screwdriver

(Not Included)



2 - People
Recommended

ASSEMBLY RATING



EASY → DIFFICULT

The Assembly Rating is a 5-point system showing the level of effort needed to assemble a specific product.



CHECK BEFORE STARTING

Are you missing anything?

Double-check all parts, hardware and accessories listed are all accounted for.

Should we send any replacements?

Are there any irregularities or flaws in the parts? We can send replacements!

Check out our Quick Tips!

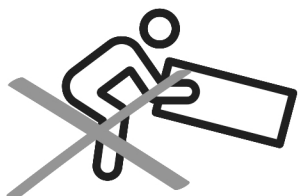
We recommend reviewing the pre-assembly handouts. Even experts need a refresher now and then!

Prep Time!

Please review the assembly instructions and all diagrams prior to assembling.

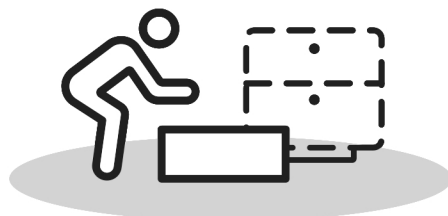
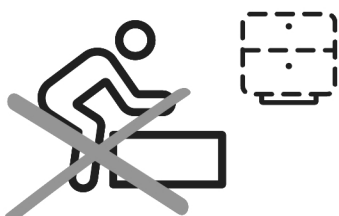
PRE ASSEMBLY INTRODUCTION

We understand building ready-to-assemble furniture can be a challenging experience for some. To help avoid confusion, we have provided some helpful tips that may speed up the process.



Teamwork

ALWAYS have at least two people to help with transporting and assembling the product to avoid potential injury and/or damage.



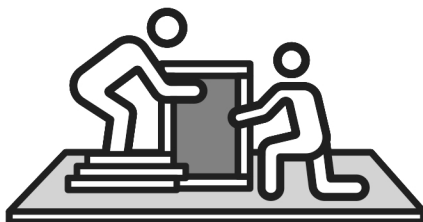
Suitable Location

Assembling near the area of the intended location is highly recommended.



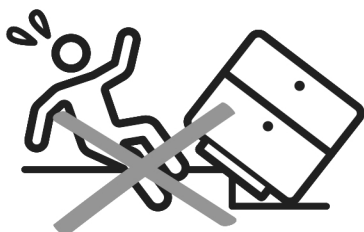
Sufficient Space

Make sure you have enough space to move around during the assembly.



Avoid Scratches

Use cardboard, blankets or a carpeted area while assembling furniture to prevent to prevent scratches and damages.



Flat Surface

Make sure the furniture rests on a flat and level surface with each leg evenly touching the floor.

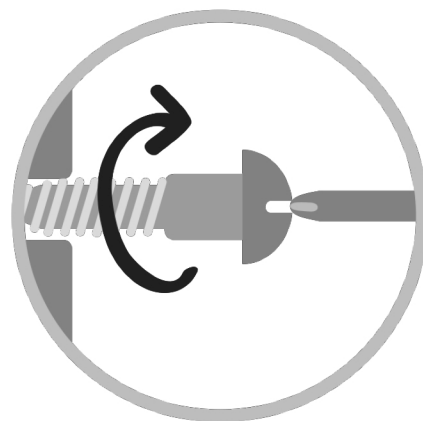
ASSEMBLY AND CARE ADVICE



FAILURE TO FOLLOW THE GUIDELINES BELOW MAY RESULT IN INJURY AND/OR PROPERTY DAMAGE.



Position each part correctly and insert screws or bolts into their respective holes.



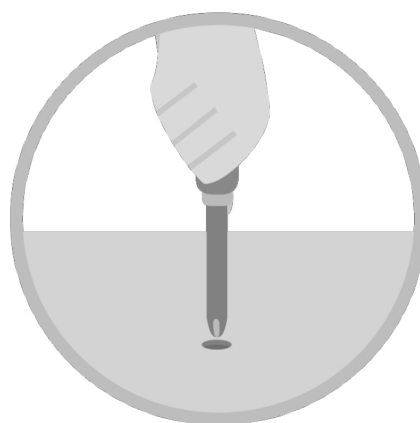
Turn clockwise to tighten and only tighten when step is completed or when instructed to do so.



Use the appropriate hand tools or power tools for assembly. Select steps, such as tightening screws and/or bolts, may require hand tools to avoid causing damage during assembly.



Save the instructions and store any supplied tools for later maintenance.



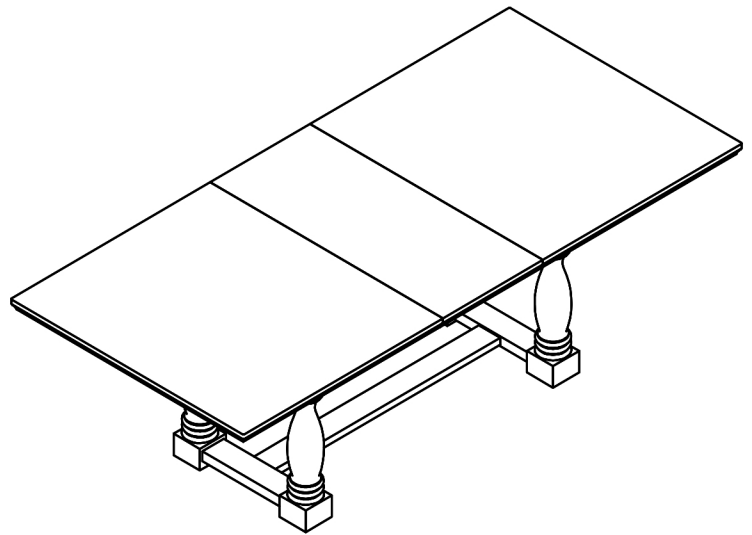
After two weeks, check and tighten any loose hardware and repeat again every six months thereafter.

IT IS THE USER'S RESPONSIBILITY TO MAINTAIN THE FURNITURE. THE HARDWARE MAY LOOSEN OVER TIME AND MAY CAUSE THE FURNITURE TO BE WOBBLY AND UNABLE TO SUPPORT ITS INTENDED WEIGHT CAPACITY. THIS MAY LEAD TO COLLAPSE AND MAY CAUSE SERIOUS INJURY.

TABLE



- Please keep instructions for future reference.
- Check the quantity and irregularity of parts and hardware before you start.



PARTS

#1 1pc

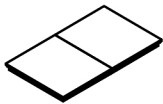


Table Top

#2 1pc



Table Leaf

#3 2pcs



Leg Frame

#4 1pc



Long stretcher

HARDWARE

#A 8pcs



Bolt
Ø5/16" x 2"

#B 10pcs



Lock Washer
Ø5/16"

#C 8pcs



Flat Washer
Ø5/16"x19mm

#D 2pcs



Flat Washer
Ø5/16"x16mm

#E 2pcs



Bolt
Ø5/16" x 3"

#F 1pc



Allen Wrench 4mm

#G 2pcs



Half Moon
Washer

#H 1pc



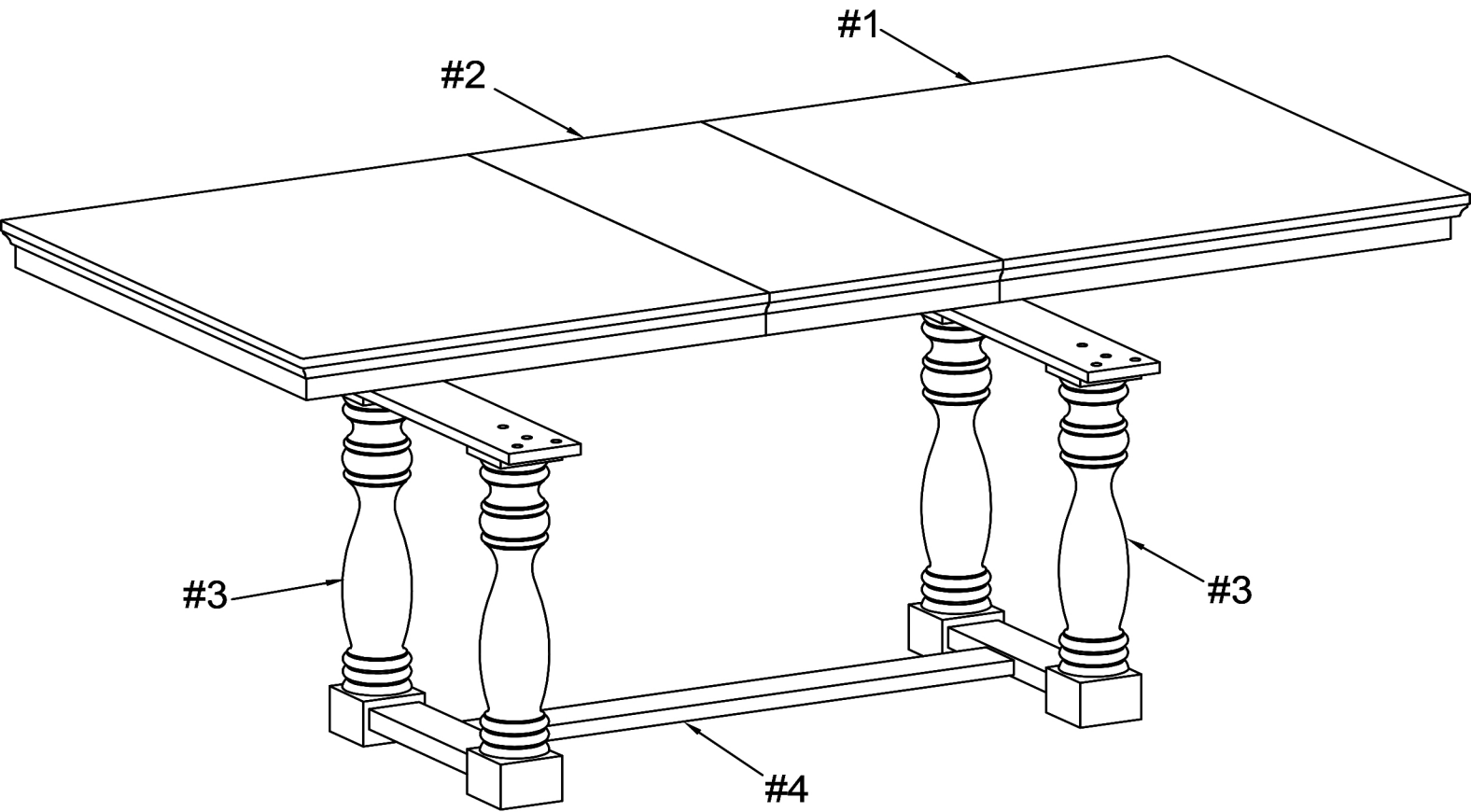
Wrench

#I 2pcs



Hex nut Ø5/16"

Exploded View



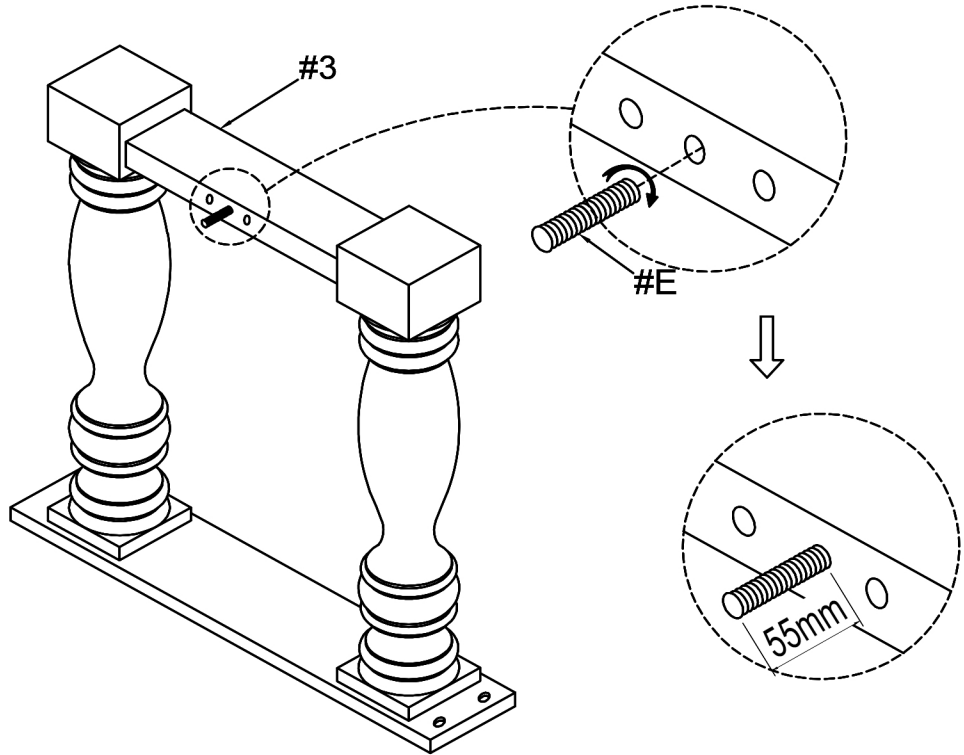
ASSEMBLY INSTRUCTIONS

1

Part #3 x1pc
Hardware #E x1pc

Prepare the Leg Frame (#3) by inserting the Bolt into the center hole. There will be at 55 mm overhanging the frame.

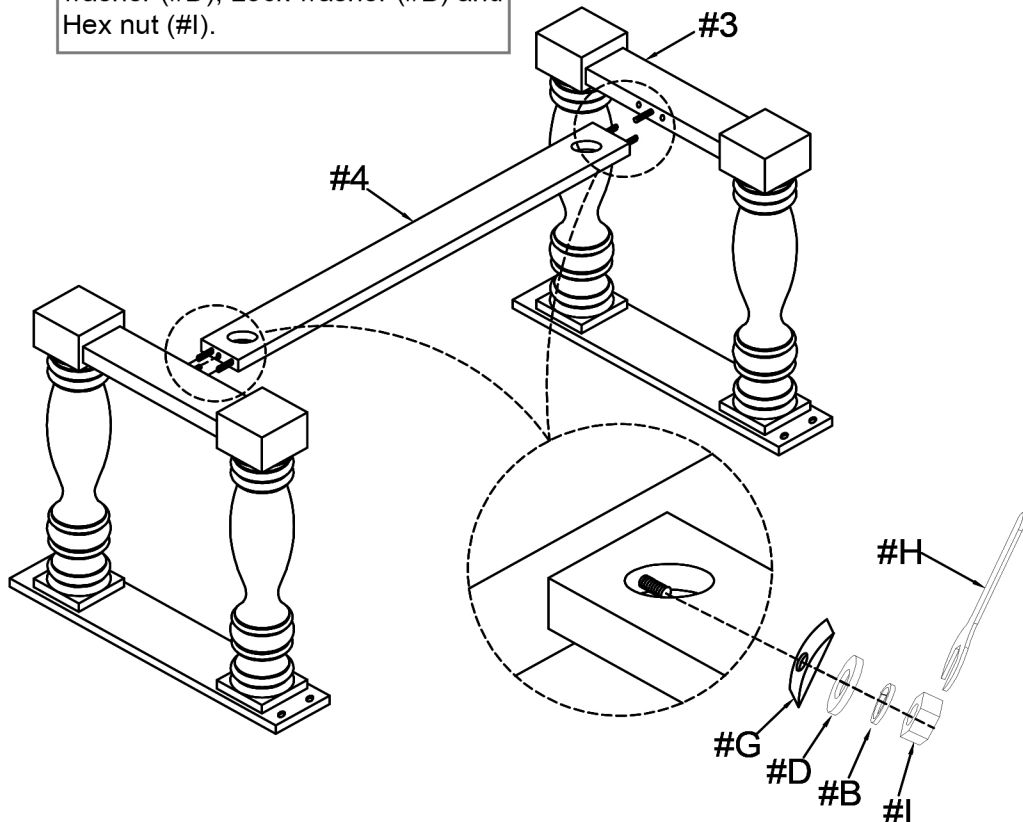
x 2



2

Part #4 x1pc
Hardware #B x2pcs
Hardware #D x2pcs
Hardware #G x2pcs
Hardware #I x2pcs

Align the Long Stretcher (#4) to the Leg Frames (#3). Secure by using Half moon washer (#G) with Flat washer (#D), Lock washer (#B) and Hex nut (#I).



ASSEMBLY INSTRUCTIONS

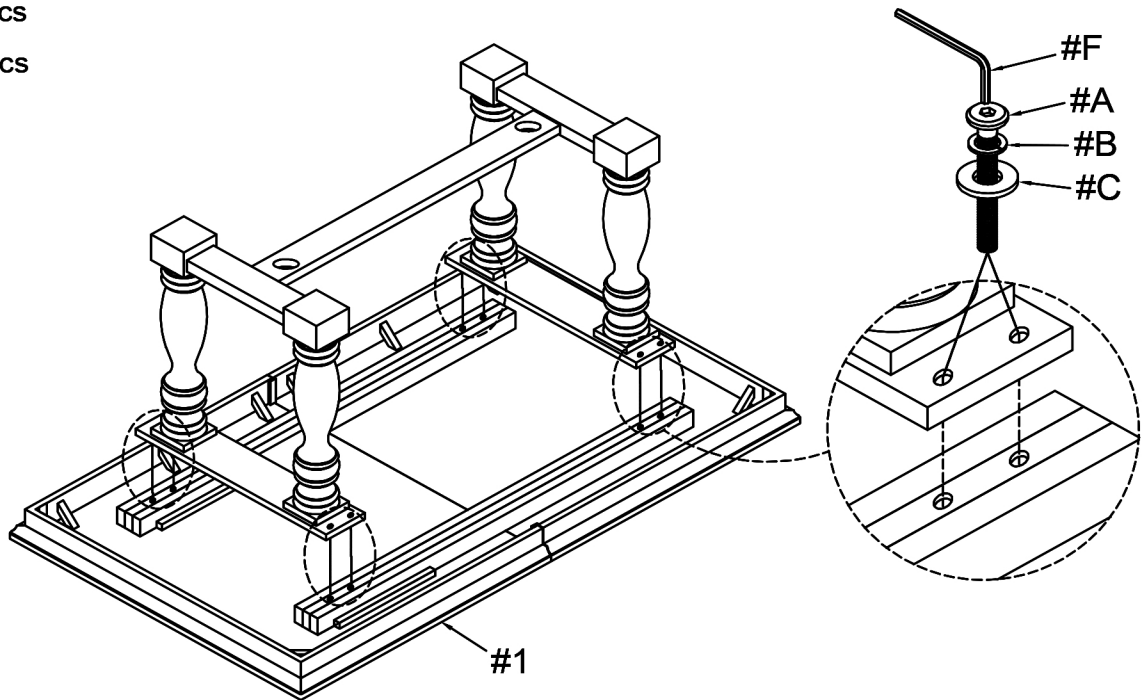
3

Hardware #A x8pcs

Hardware #B x8pcs

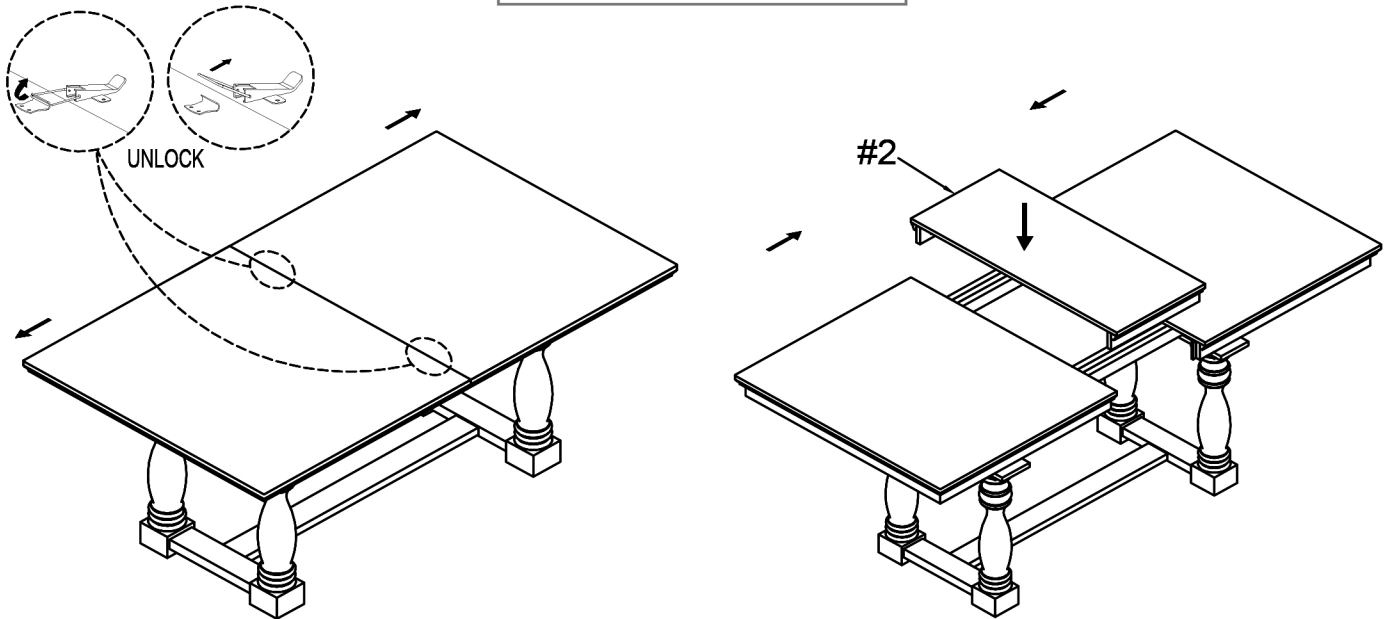
Hardware #C x8pcs

Align the Leg Frame (#3) to the Table top (#1) and secure by using Bolt (#A), Lock washer (#B), and Flat washer (#C).



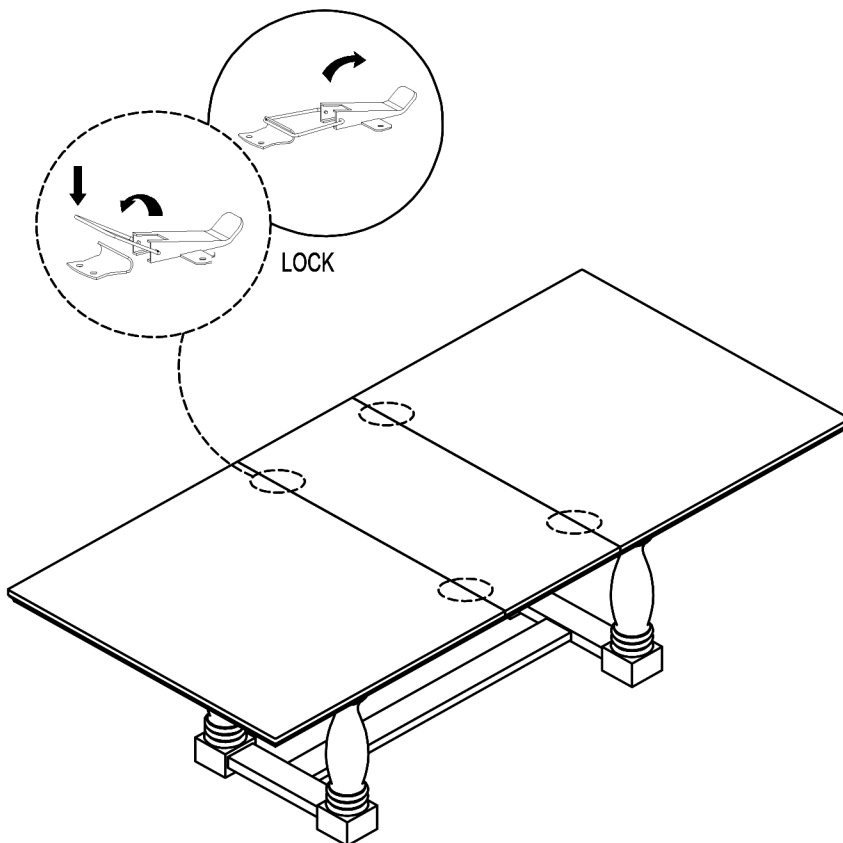
4

To insert the Table leaf (#2), unlock the hinges underneath the table top and pull the ends outward.

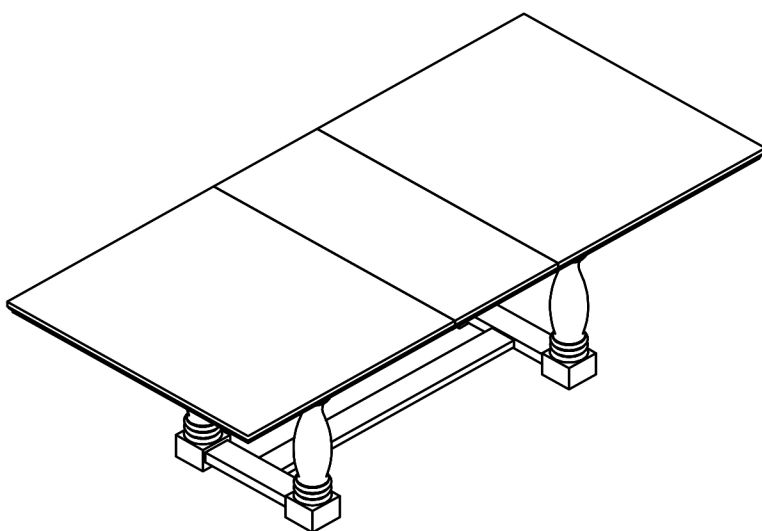


ASSEMBLY INSTRUCTIONS

5



6



ASSEMBLY COMPLETED



Please ensure the furniture rests on an even and flat surface. If the product wobbles or feels loose, double-check all bolts and/or screws are properly tightened and secured.



Keep this handy!

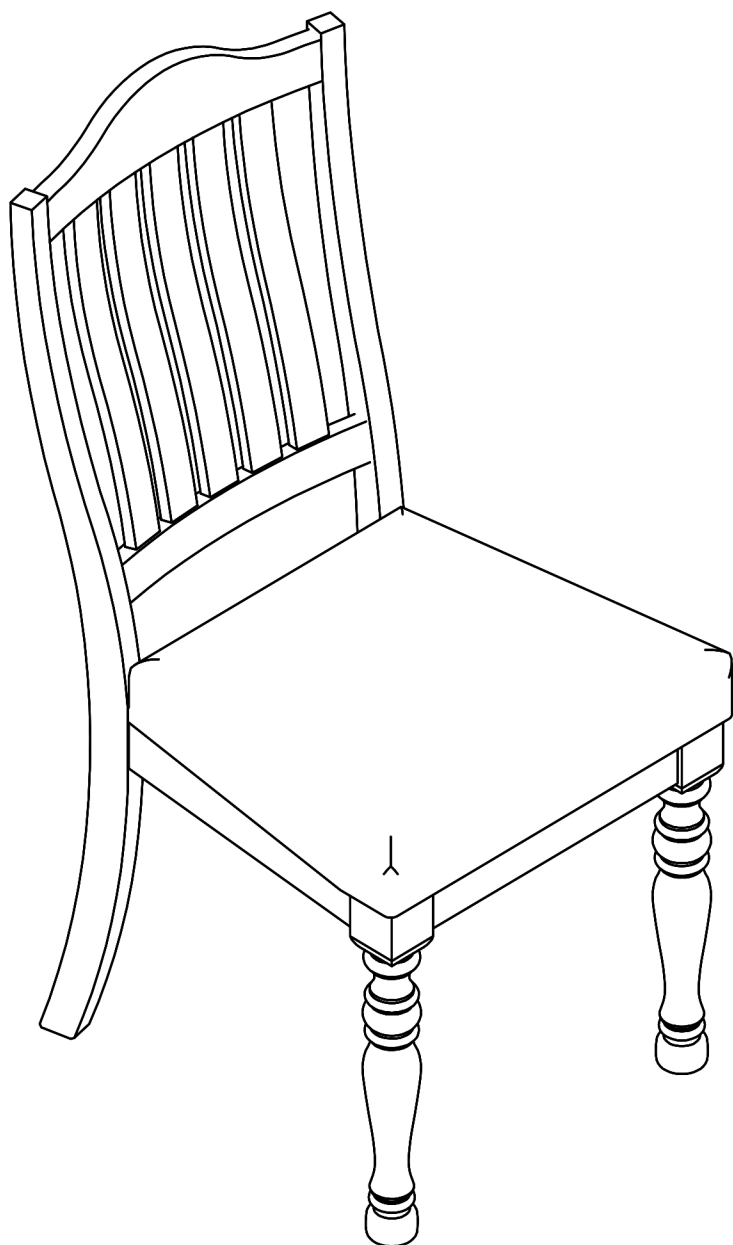
Please retain this instruction manual and any order-related information for future reference.



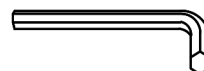
Lift, don't drag!

To avoid damage to product please always LIFT the product when transporting or adjusting the placement.

ASSEMBLY INSTRUCTIONS



TOOLS REQUIRED



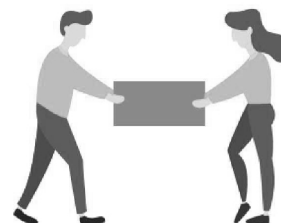
Allen Wrench

(Included)



Phillips
Screwdriver

(Not Included)



2 - People
Recommended

ASSEMBLY RATING



EASY → DIFFICULT

The Assembly Rating is a 5-point system showing the level of effort needed to assemble a specific product.



CHECK BEFORE STARTING

Are you missing anything?

Double-check all parts, hardware and accessories listed are all accounted for.

Check out our Quick Tips!

We recommend reviewing the pre-assembly handouts. Even experts need a refresher now and then!

Should we send any replacements?

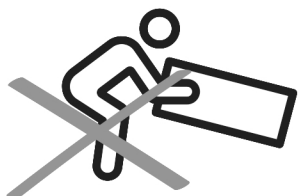
Are there any irregularities or flaws in the parts? We can send replacements!

Prep Time!

Please review the assembly instructions and all diagrams prior to assembling.

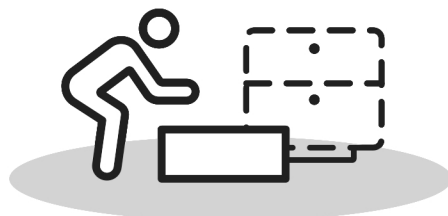
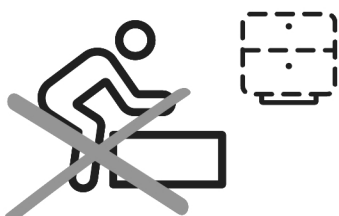
PRE ASSEMBLY INTRODUCTION

We understand building ready-to-assemble furniture can be a challenging experience for some. To help avoid confusion, we have provided some helpful tips that may speed up the process.



Teamwork

ALWAYS have at least two people to help with transporting and assembling the product to avoid potential injury and/or damage.



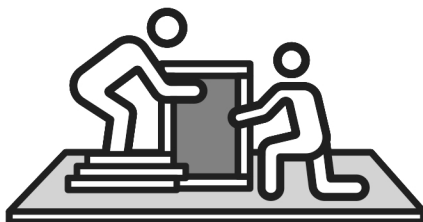
Suitable Location

Assembling near the area of the intended location is highly recommended.



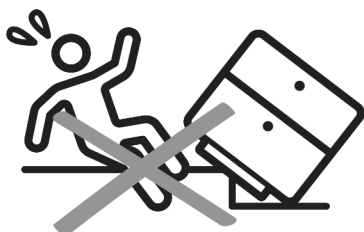
Sufficient Space

Make sure you have enough space to move around during the assembly.



Avoid Scratches

Use cardboard, blankets or a carpeted area while assembling furniture to prevent to prevent scratches and damages.



Flat Surface

Make sure the furniture rests on a flat and level surface with each leg evenly touching the floor.

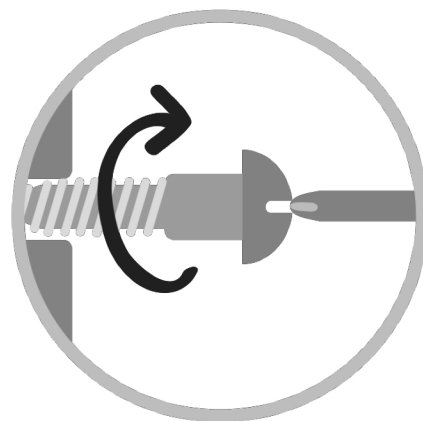
ASSEMBLY AND CARE ADVICE



FAILURE TO FOLLOW THE GUIDELINES BELOW MAY RESULT IN INJURY AND/OR PROPERTY DAMAGE.



Position each part correctly and insert screws or bolts into their respective holes.



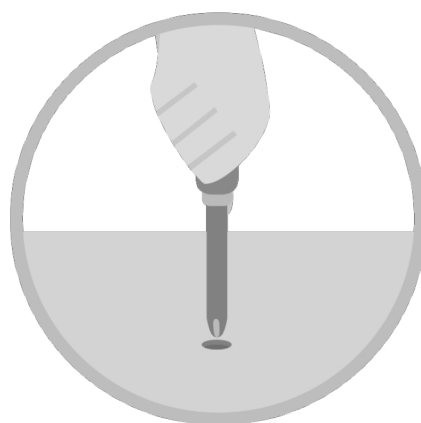
Turn clockwise to tighten and only tighten when step is completed or when instructed to do so.



Use the appropriate hand tools or power tools for assembly. Select steps, such as tightening screws and/or bolts, may require hand tools to avoid causing damage during assembly.



Save the instructions and store any supplied tools for later maintenance.



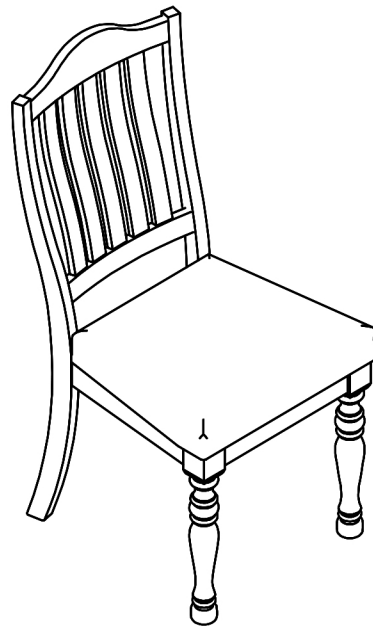
After two weeks, check and tighten any loose hardware and repeat again every six months thereafter.

IT IS THE USER'S RESPONSIBILITY TO MAINTAIN THE FURNITURE. THE HARDWARE MAY LOOSEN OVER TIME AND MAY CAUSE THE FURNITURE TO BE WOBBLY AND UNABLE TO SUPPORT ITS INTENDED WEIGHT CAPACITY. THIS MAY LEAD TO COLLAPSE AND MAY CAUSE SERIOUS INJURY.

CHAIR



- Please keep instructions for future reference.
- Check the quantity and irregularity of parts and hardware before you start.



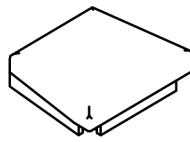
PARTS

#1 1pc x 2



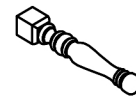
Chair Back

#2 1pc x 2



Cushion Seat

#3 2pcs x 2



Front Leg

HARDWARE

#A 2pcs x 2



Bolt

Ø1/4" x 1-1/2"

#B 4pcs x 2



Bolt

Ø1/4" x 2-3/8"

#C 4pcs x 2



Bolt

Ø1/4" x 3"

#D 10pcs x 2



Lock Washer

Ø1/4"

#E 10pcs x 2



Flat Washer

Ø1/4"x19mm

#F 1pc x 2



Allen Wrench

4mm

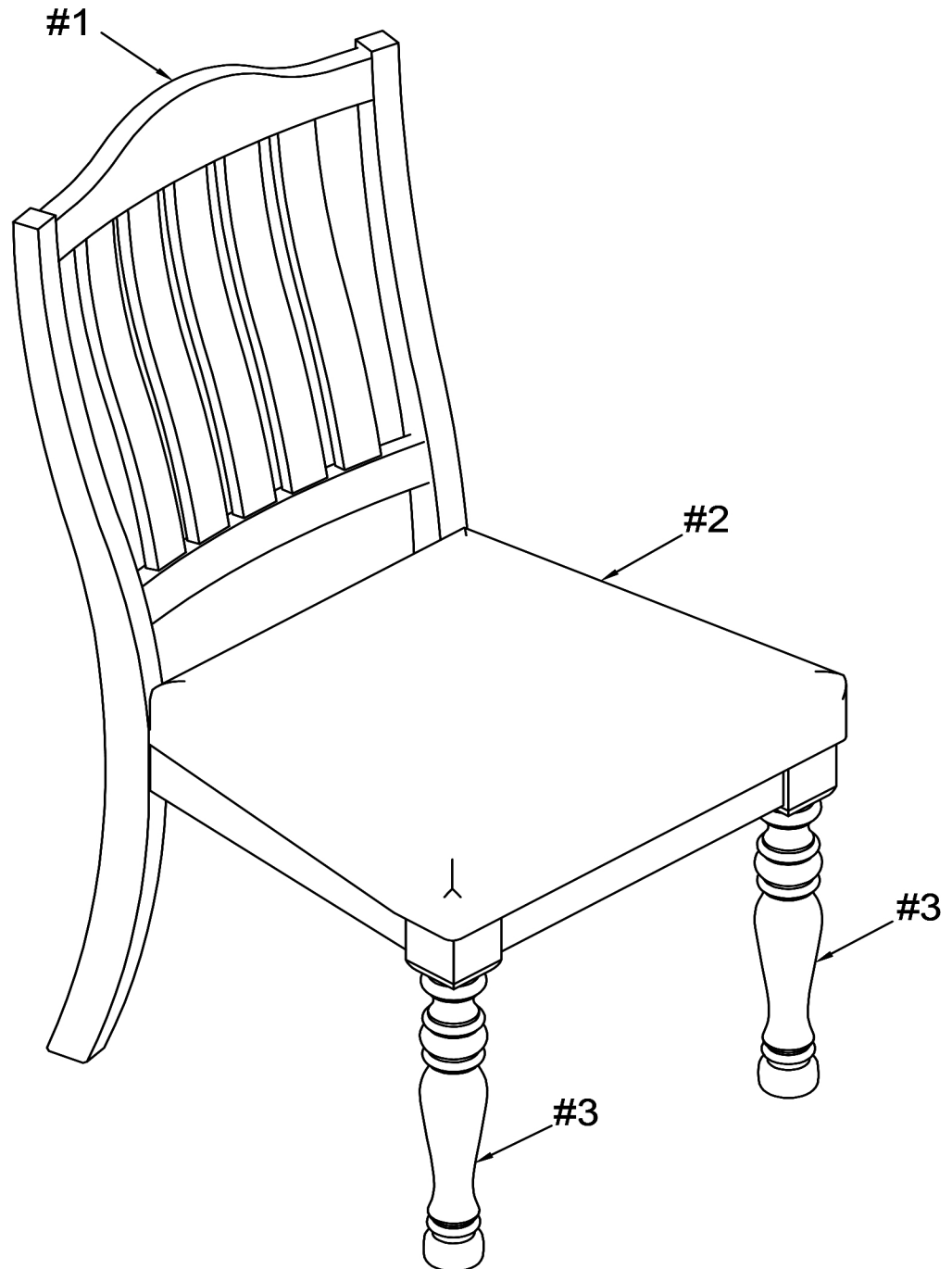
#G 1pc x 2



Wooden Dowel

(Ø10 x 30mm)

Exploded View



ASSEMBLY INSTRUCTIONS

1

Part #1 x1pc

Part #2 x1pc

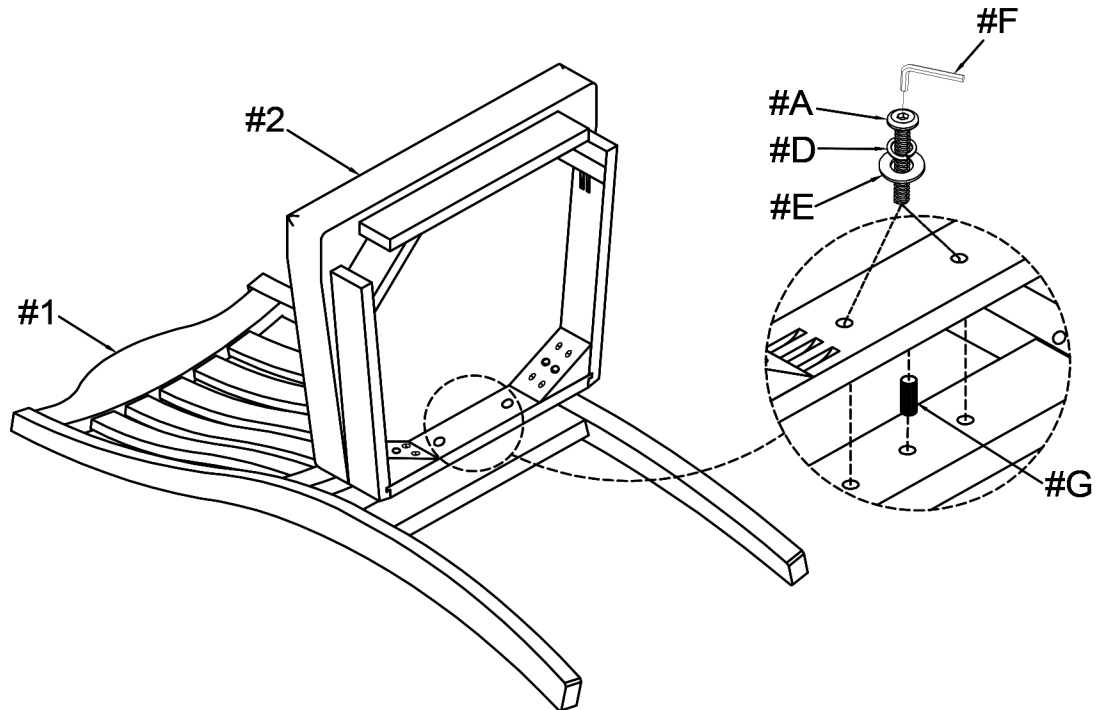
Hardware #A x2pcs

Hardware #D x2pcs

Hardware #E x2pcs

Hardware #G x1pc

Use Dowel (#G) to align the Cushion Seat (#2) to the Chair back (#1). Secure by using Bolt (#A) with Lock Washer (#D) and Flat Washer (#E).



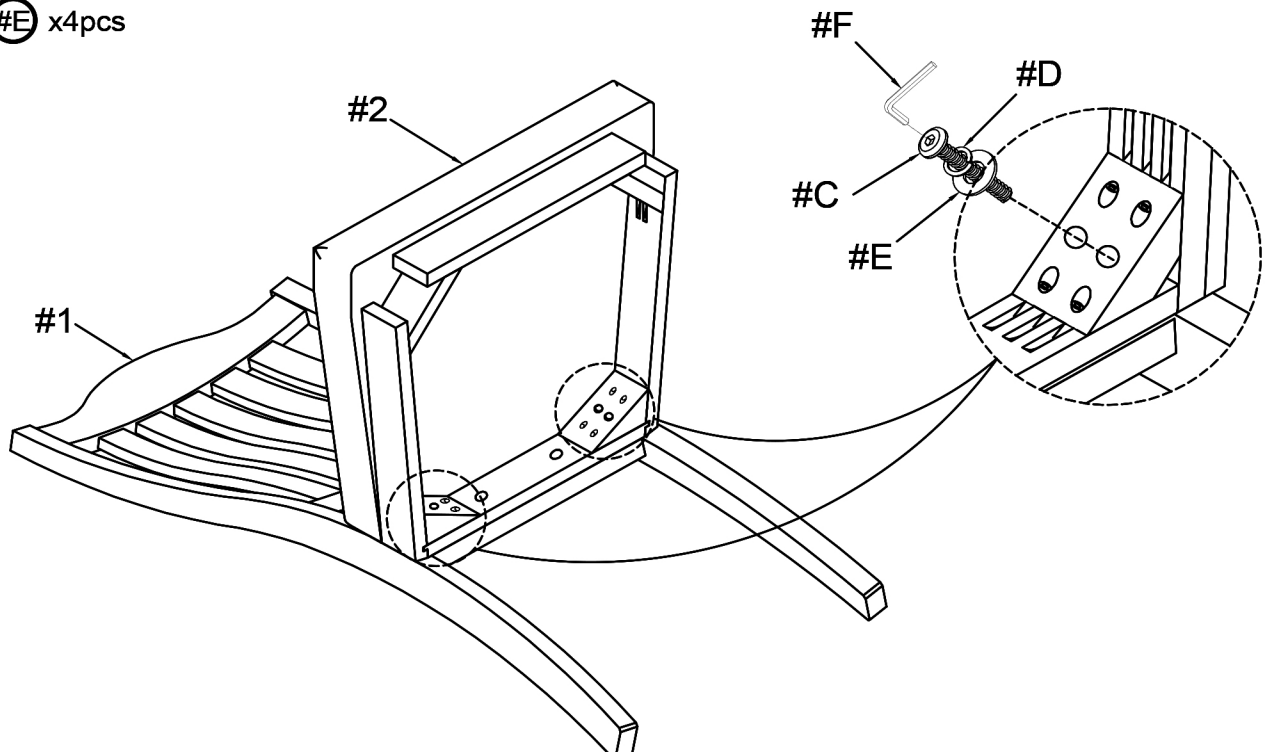
2

Hardware #C x4pcs

Hardware #D x4pcs

Hardware #E x4pcs

Secure corners of the Cushion Seat (#2) to the Chair back (#1) legs by using Bolt (#C) with Lock washer (#D) and Flat washer (#E).



ASSEMBLY INSTRUCTIONS

3

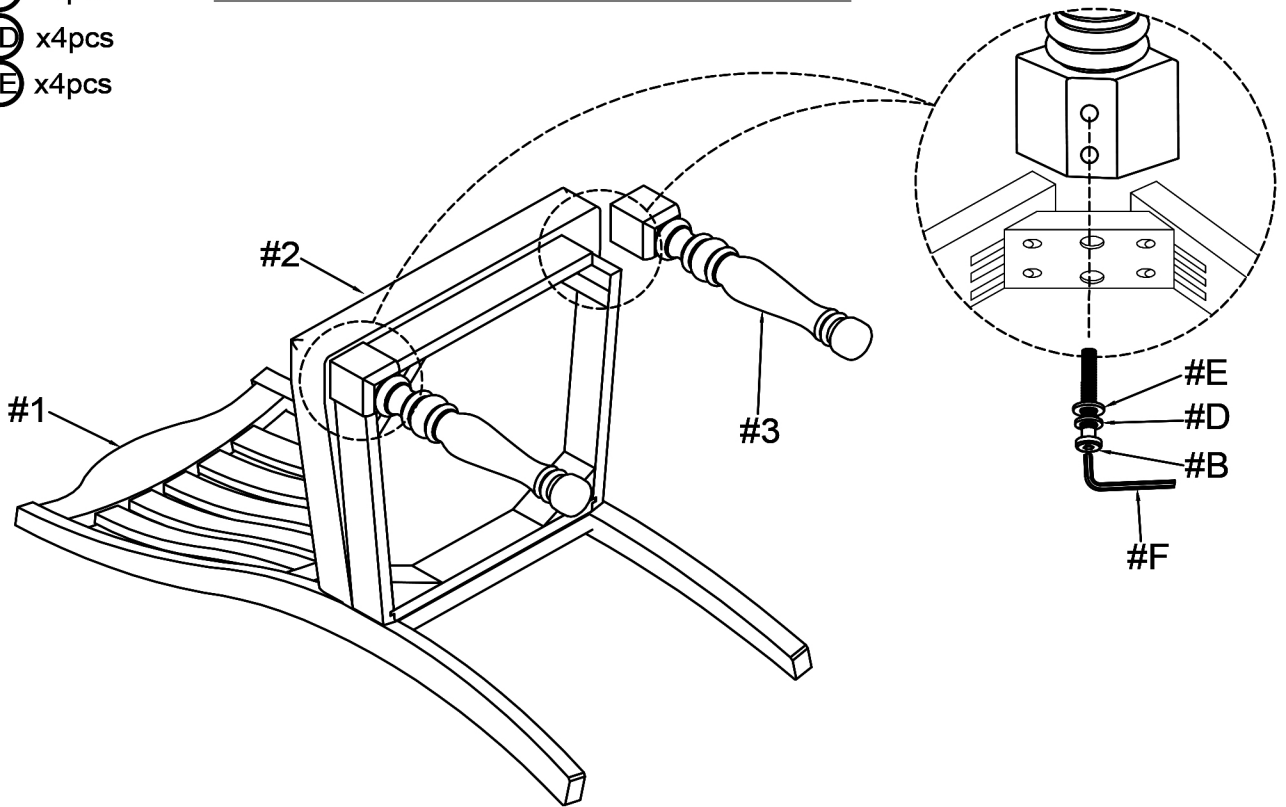
Part #3 x2pcs

Hardware #B x4pcs

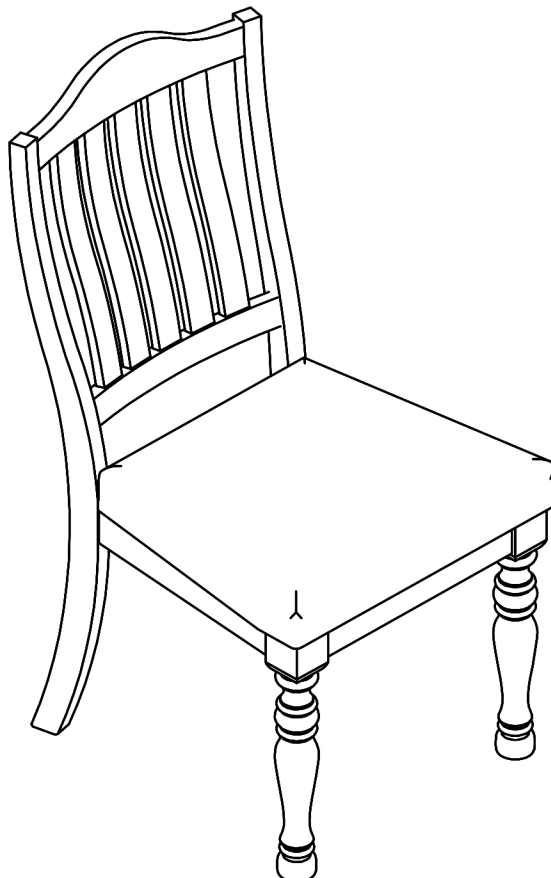
Hardware #D x4pcs

Hardware #E x4pcs

Align and secure the Front leg (#3) to the Cushion Seat (#2) and secure by using Bolt (#B) with Lock washer (#D) and Flat washer (#E).



4



ASSEMBLY COMPLETED



Please ensure the furniture rests on an even and flat surface. If the product wobbles or feels loose, double-check all bolts and/or screws are properly tightened and secured.



Keep this handy!

Please retain this instruction manual and any order-related information for future reference.



Lift, don't drag!

To avoid damage to product please always LIFT the product when transporting or adjusting the placement.