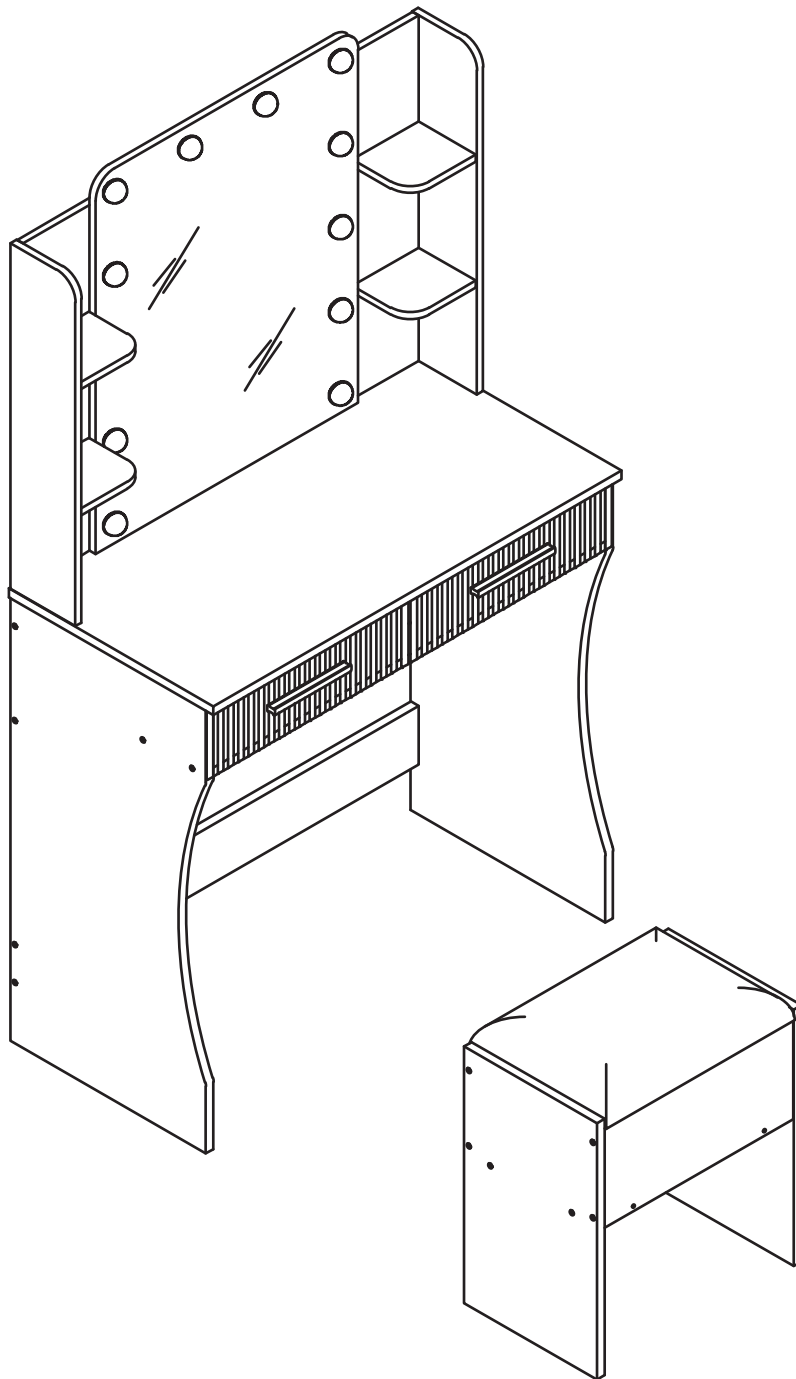


OWNER'S MANUAL

31" MAKEUP VANITY



Contact Us

If you have any questions,
Please contact customer service.

Email: service@cozfurn.com

Scan the QR code to watch the installation video.



SAFETY PRECAUTIONS

Before You Start

- ★ Please take the time to carefully read through the whole of these instructions before you commence.
 - ★ Unpack, inspect and check off all of the contents. If there are any defective or missing parts after unpacking, please cease assembly and get in contact with us immediately.
 - ★ Separate and count all your parts and hardware.
 - ★ Have the following tools: Flat Head Screwdriver, #2 Phillips Head Screwdriver and Hammer
-

WARNING

- ★ Do not stand or sit on the product.
 - ★ Children and pets should be kept from your assembly area if possible. Supervise children and pets if they are in the assembly area.
 - ★ Never touch with sharp objects or corrosive chemicals, which may damage the surface of the item.
 - ★ Do not expose product to direct sunlight or rain; and do not put it in a humid place.
-

CAUTION

- ★ This item is heavy. Please handle with care. Two or more people are required for this assembly.
- ★ It would be sensible to lay a sheet or blanket on the floor where you intend to work to avoid scratching this product and to protect your floor.
- ★ Assemble the product as close to its intended final position in the room as possible.
- ★ There may be some odour after unpacking the parcel, please put this item in a ventilated place for a few days and the odour will dissipate.
- ★ If using a power drill or power screwdriver for screwing, please be aware of to slow down and stop when screw is tight.
- ★ Failure to do so may result in stripping the screw.

PRODUCT ASSEMBLY

Wall Mounting & Fixing Guide

NOTE: Supplied wall plugs are only suitable for use in masonry walls.

If you have any doubts about using the correct plug for your wall, please seek professional advice. Failure of the product due to using incorrect fixings is the responsibility of the installer.



IMPORTANT:

When drilling into walls, always check for hidden wires or pipes, etc.



Tips & Tricks

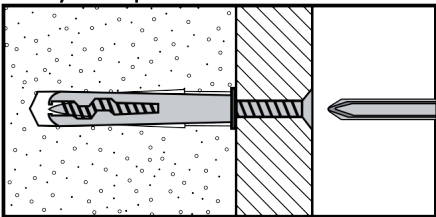
Make sure that the hardware used is suitable for supporting your unit.

Please consult a qualified tradesperson if unsure.

- ✓ If you are unsure, please select a larger screw and wall plug.
- ✓ Ensure that you use the recommended drill bit to match the wall plug and hole size.
- ✓ Take extra care when drilling high walls, ceiling and ceramic tiles. Ensure wall plugs are inserted beyond the thickness of the ceramic tiles to avoid splitting or cracking.
- ✓ Ensure that wall plugs are well fitted and are a tight fit in the drilled hole.

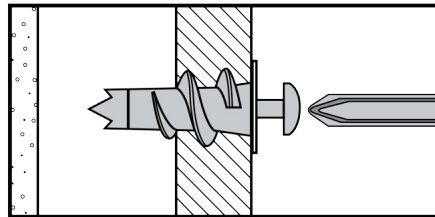
Types Of Walls

Use one of the following types of wall plug (not included) if your walls are made of brick, breeze block, concrete, stone or wood. Screws may be able to be fixed directly to solid wood walls as they will provide a secure anchor point.



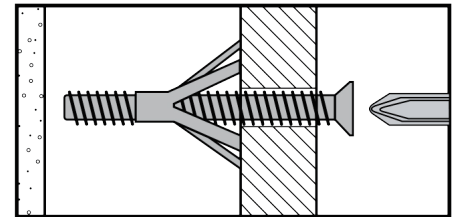
1. General Purpose Wall Plug

Generally, aerated blocks should not be used to support heavy loads, use a specialist fitting in this case. For light loads, general purpose wall plugs can be used.



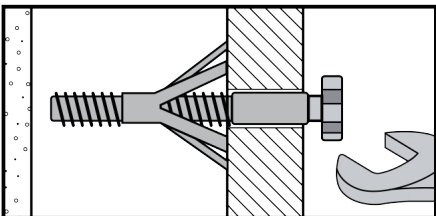
2. Plasterboard Wall Plug

For use when attaching light loads onto plasterboard partitions.



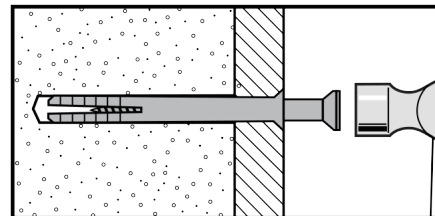
3. Cavity Fixing Wall Plug

For use with plasterboard partitions or hollow wooden doors.



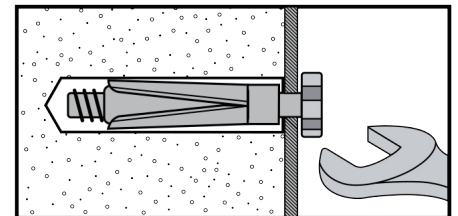
4. Cavity Fixing Heavy Duty Wall Plug

For use when fitting or supporting heavy loads such as shelving and wall cabinets.



5. Hammer Fixing Wall Plug

For use with concrete block or brick walls, or walls stuck with plasterboard. The hammer fixing allows it to be fixed to the wall rather than the plasterboard. Always check the fixing is secure to the retaining wall.



6. Shield Anchor Wall Plug Heavy Loads

For use with concrete or brick walls, or for use with heavier loads such as TV & HiFi speakers and satellite dishes, etc.

Email:Service@cozfurn.com

PRODUCT WARRANTY INSTRUCTION



Free Warranty Period:

The free warranty period starts from the product receipt date and lasts one year.



Coverage during the Free Warranty Period:

1. If any components of the purchased product are damaged due to non-human-induced reasons natural wear and tear excluded corresponding new parts will be replaced free of charge.

2. If the entire purchased product is damaged due to non-human-induced reasons natural wear and tear excluded and cannot be further used, corresponding parts or a brand-new product will be replaced free of charge.



Coverage after the Free Warranty Period:

After the warranty period expires, replacement components will be provided to customers at cost price for continued service.



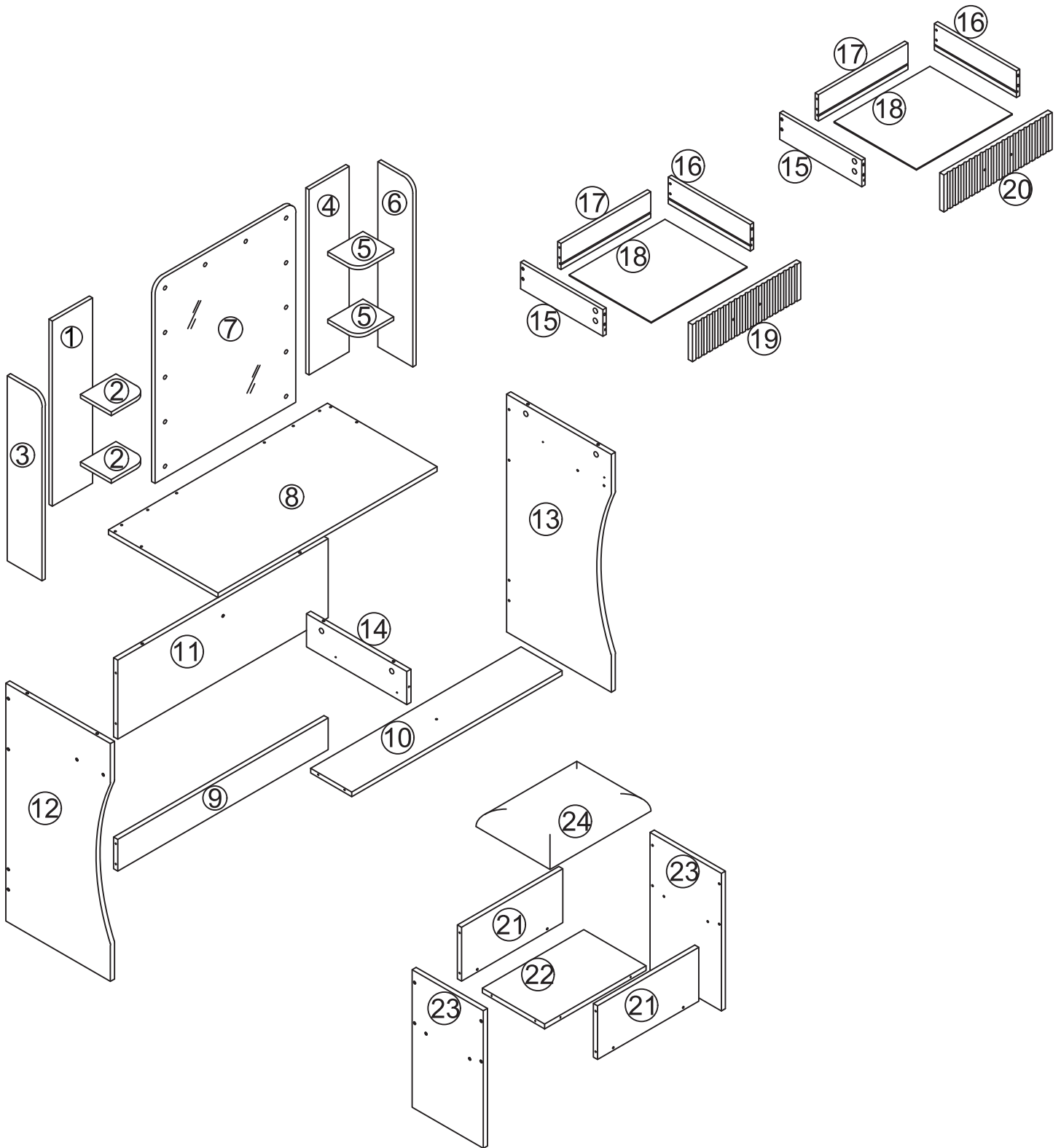
Additional Services:

After purchasing the product, customers can consult our staff for any product-related inquiries.

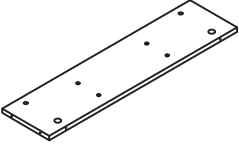
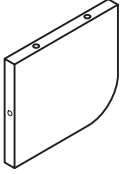
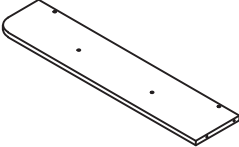
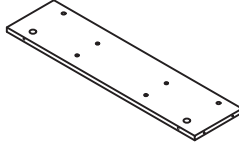
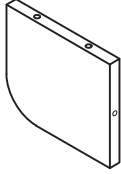
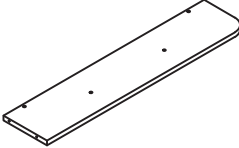
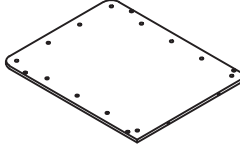
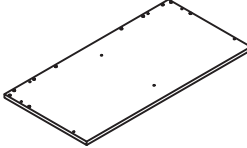
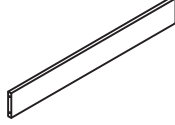
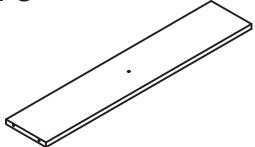
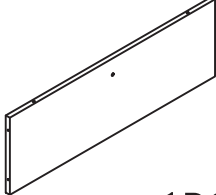
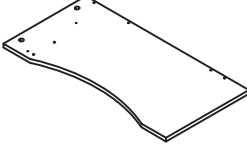
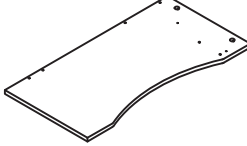
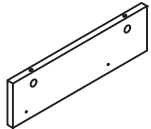
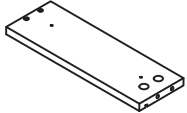
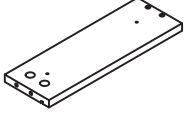
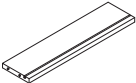
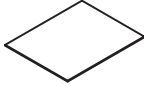


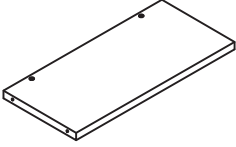
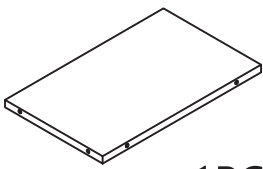
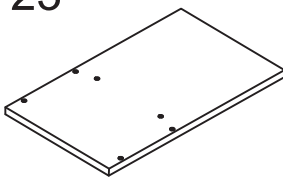
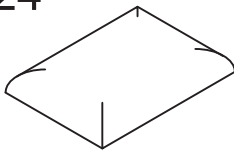


Contact Email : Service@cozfurn.com


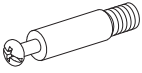
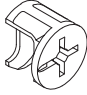
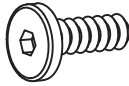
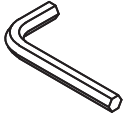
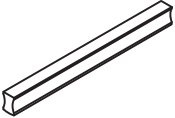

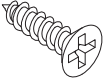
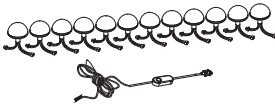



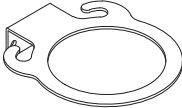
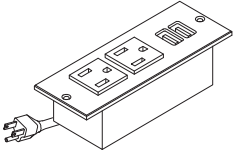
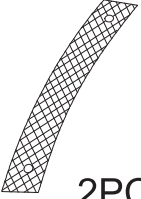

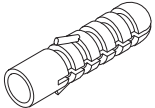
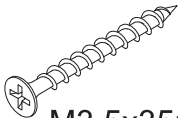
ACCESSORIES DISPLAY

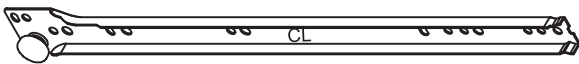


ACCESSORIES DISPLAY

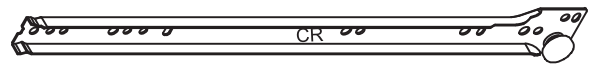
1  1PC	2  2PCS	3  1PC	4  1PC	5  2PCS
6  1PC	7  1PC	8  1PC	9  1PC	10  1PC
11  1PC	12  1PC	13  1PC	14  1PC	15  2PCS
16  2PCS	17  2PCS	18  2PCS	19  1PC	20  1PC
21  2PCS	22  1PC	23  2PCS	24  1PC	

ACCESSORIES DISPLAY

<p>A</p>  <p>5x40mm 56(+2)PCS</p>	<p>B</p>  <p>6x35mm 24(+2)PCS</p>	<p>C</p>  <p>24(+2)PCS</p>	<p>D</p>  <p>6x20mm 4PCS</p>	<p>E</p>  <p>4mm 1PC</p>
<p>F</p>  <p>2PCS</p>	<p>G</p>  <p>M4x20mm 4PCS</p>	<p>H</p>  <p>M3.5x12mm 20(+2)PCS</p>	<p>I</p>  <p>1PC</p>	<p>J</p>  <p>Ø15 28(+2)PCS</p>
<p>K</p>  <p>8PCS</p>	<p>L</p>  <p>Ø20 4(+2)PCS</p>	<p>M</p>  <p>1PC</p>	<p>N</p>  <p>1PC</p>	<p>O</p>  <p>2PCS</p>
<p>P</p>  <p>M3.5x20mm 2PCS</p>	<p>Q</p>  <p>2PCS</p>	<p>R</p>  <p>M3.5x35mm 2PCS</p>		



CL
x2
L300mm



CR
x2
L300mm



DL
x2
L300mm

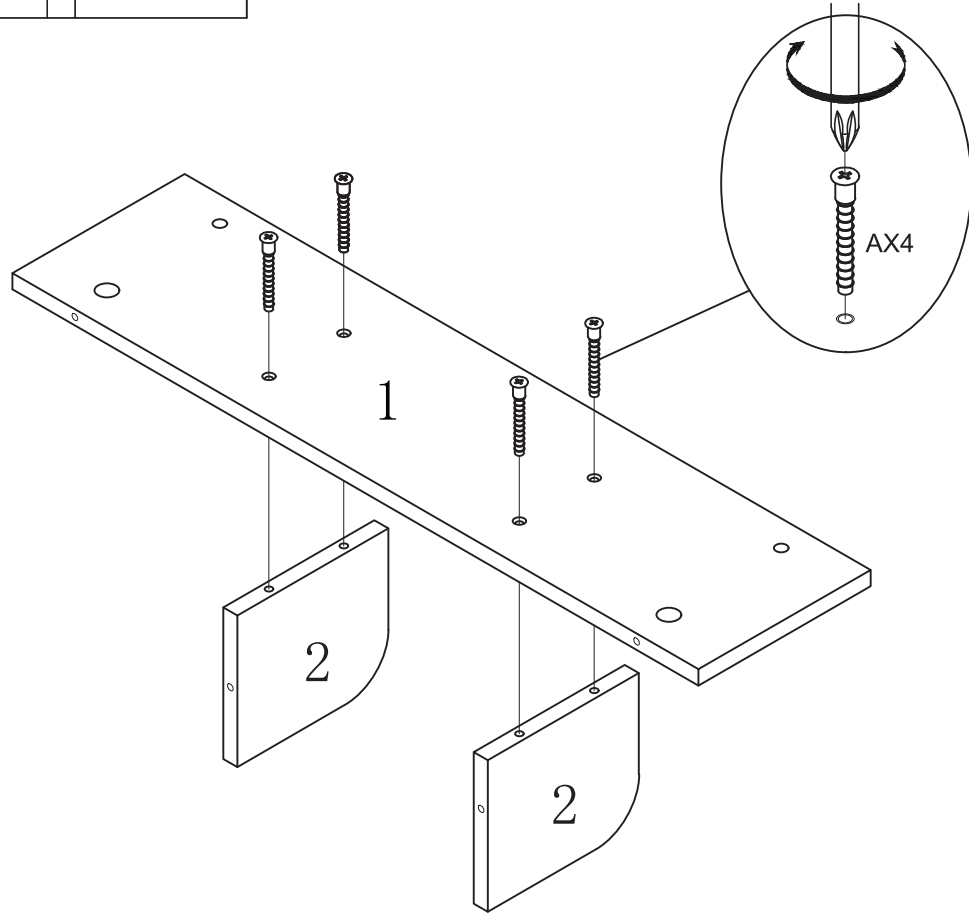


DR
x2
L300mm

PRODUCT ASSEMBLY

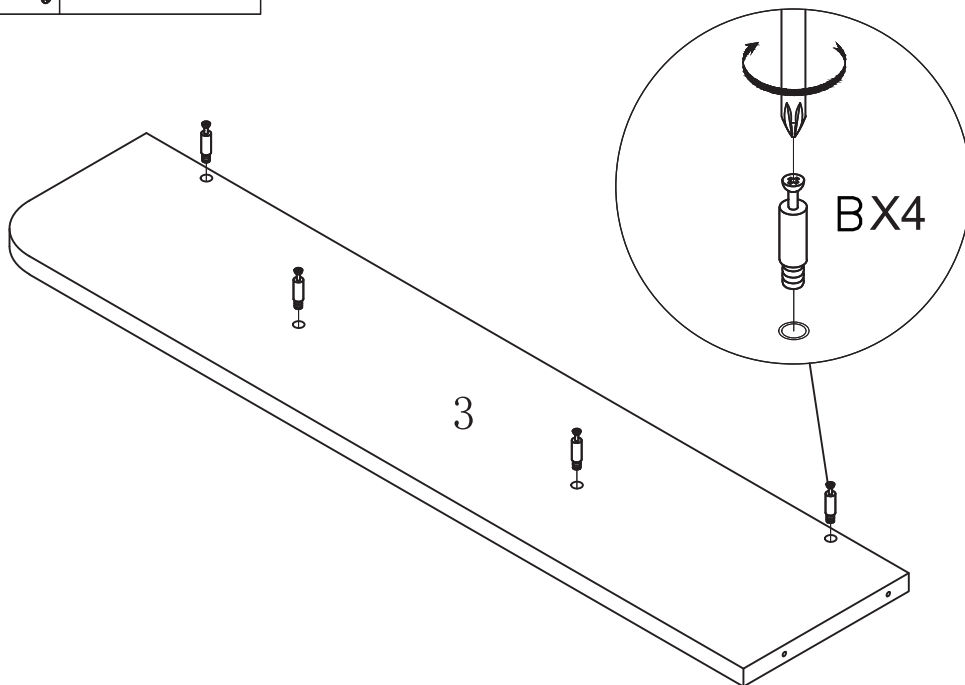
STEP 1

 AX4PCS



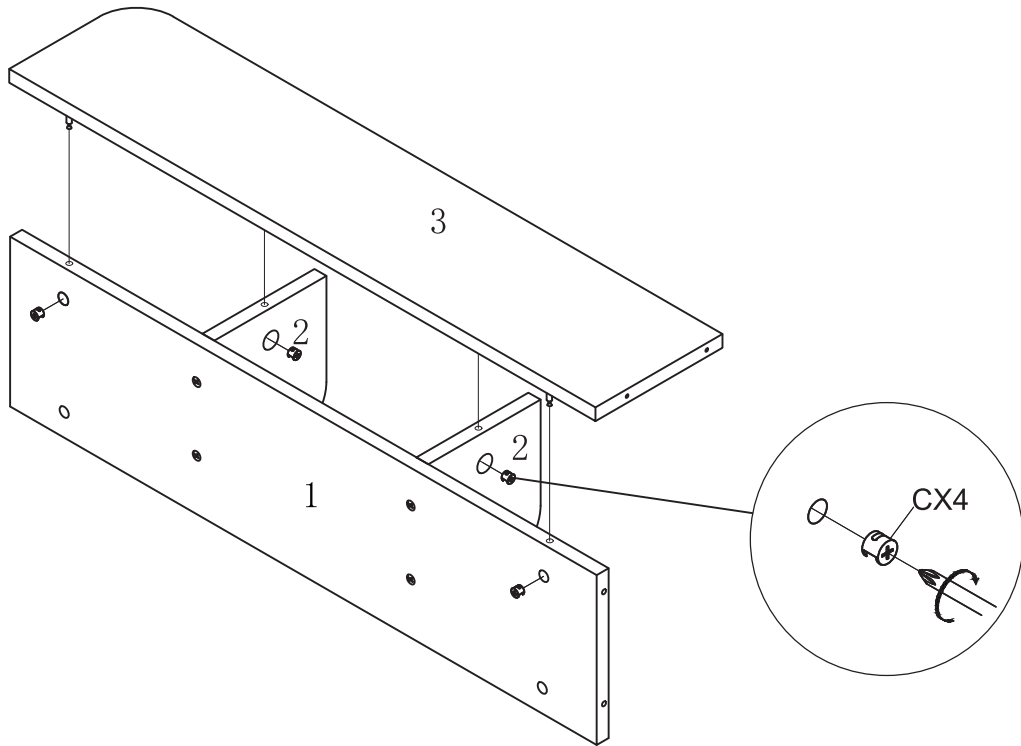
STEP 2

 B x 4PCS

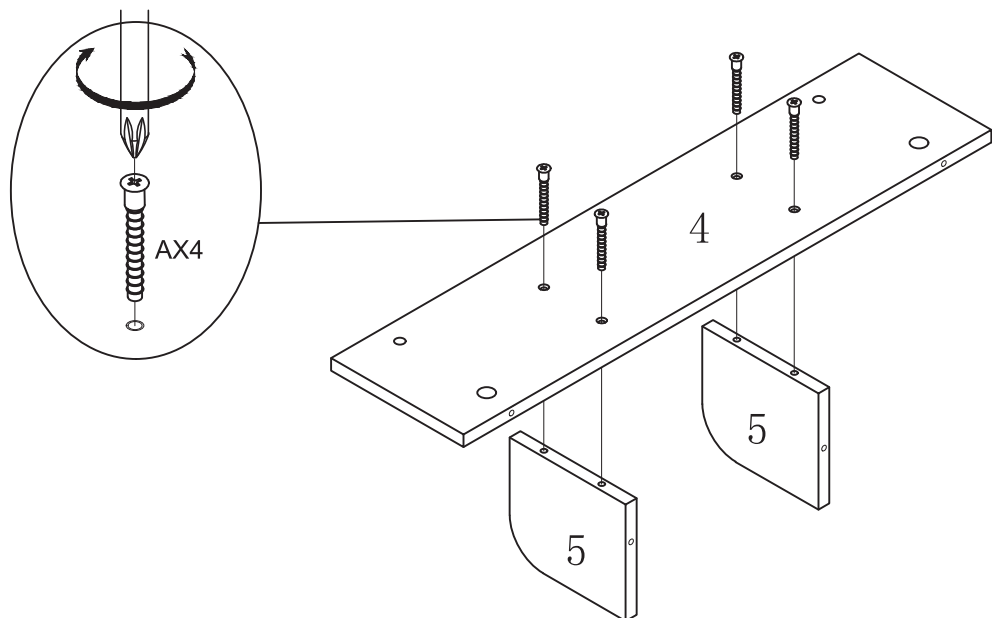


PRODUCT ASSEMBLY

STEP 3

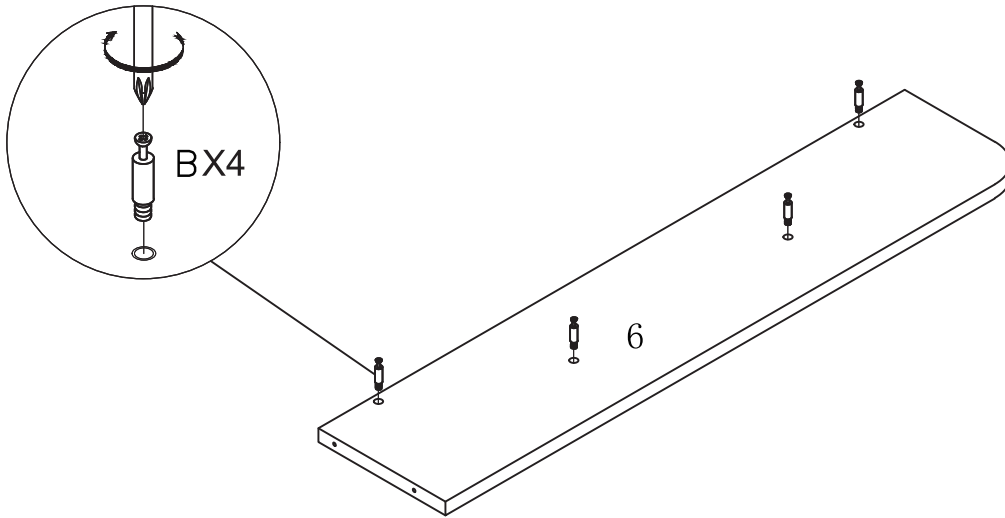


STEP 4

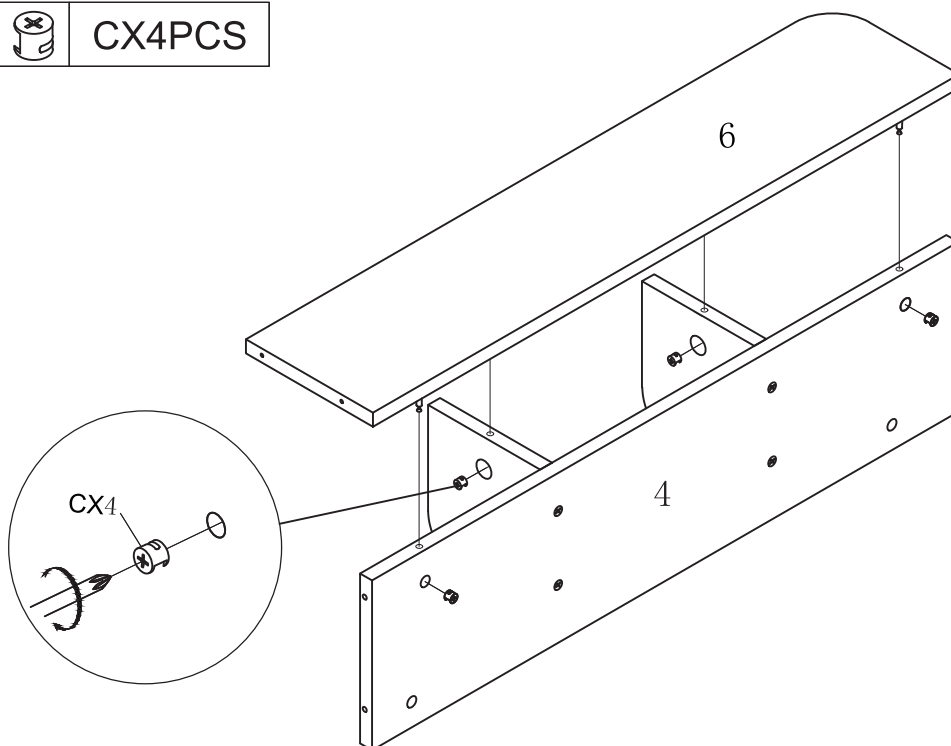


PRODUCT ASSEMBLY

STEP 5



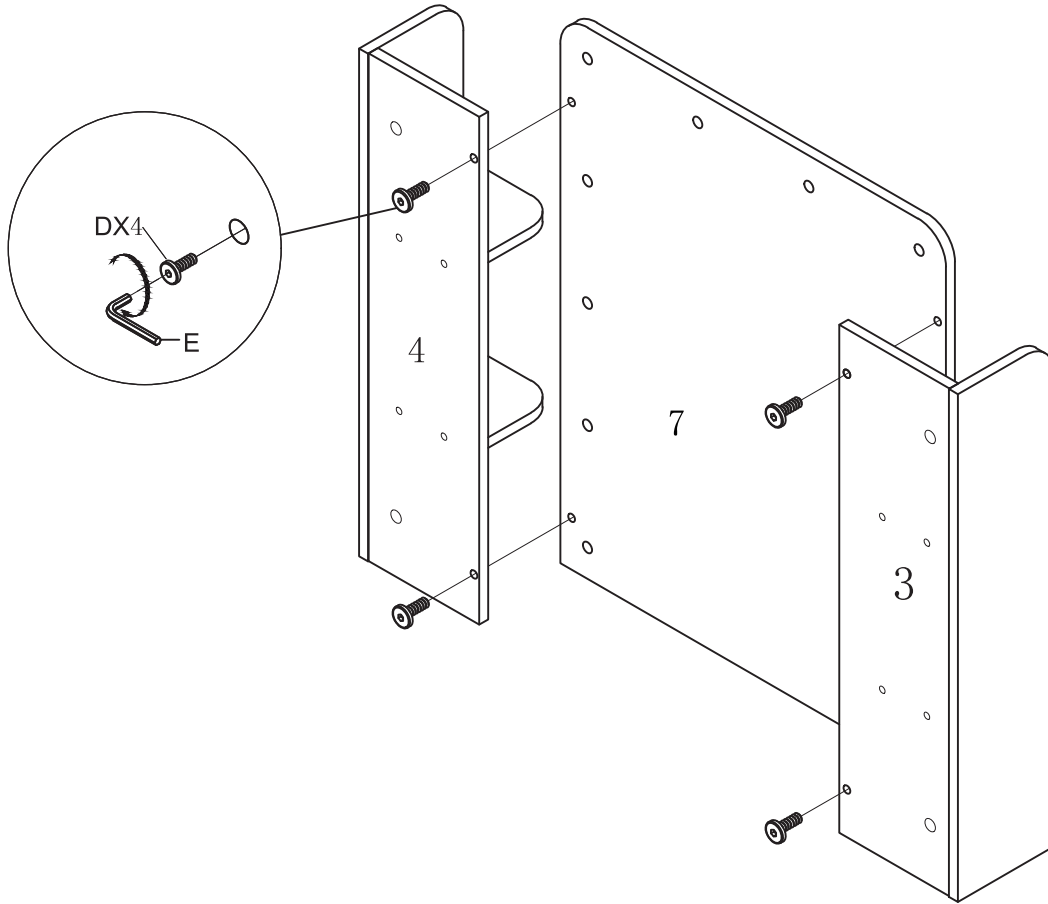
STEP 6




PRODUCT ASSEMBLY

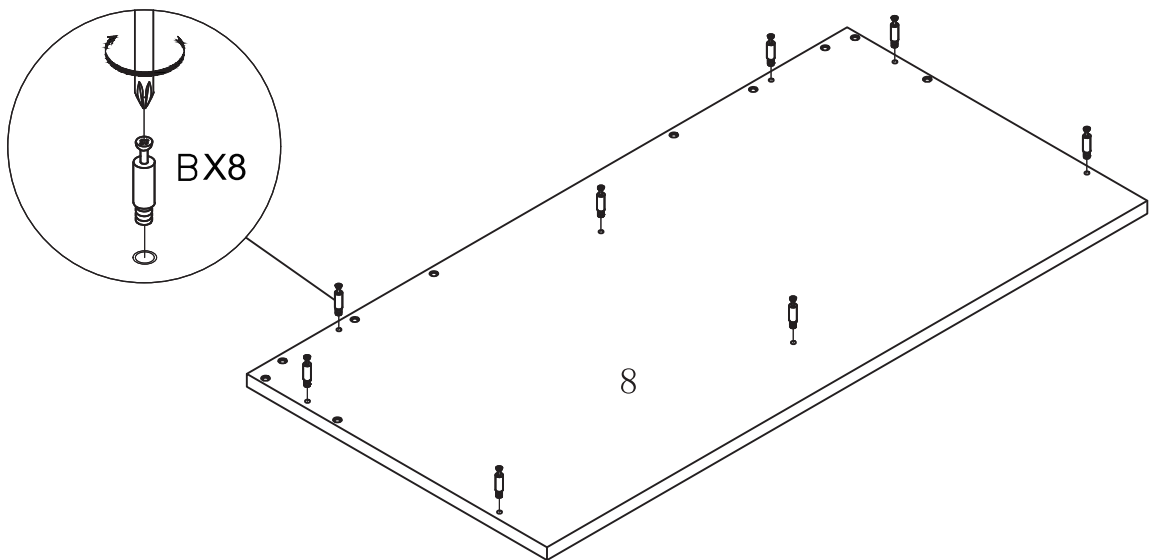
STEP 7

 DX 4PCS



STEP 8

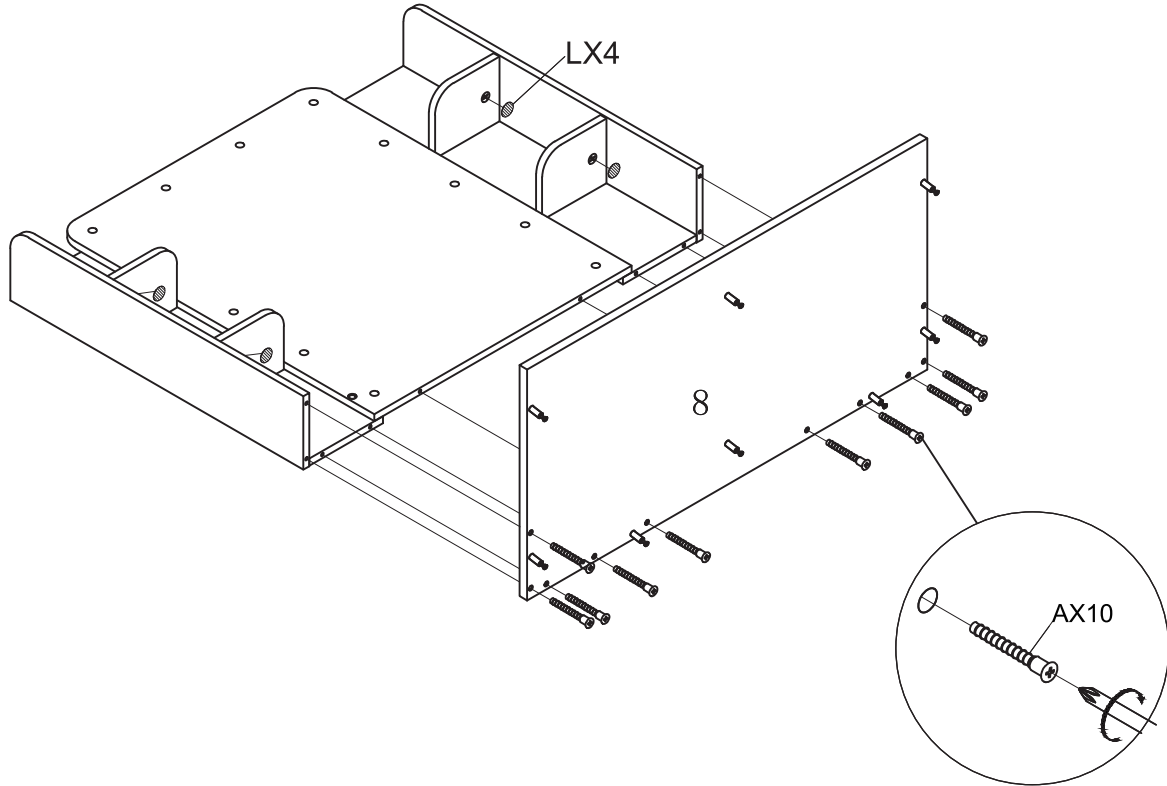
 BX8PCS




PRODUCT ASSEMBLY

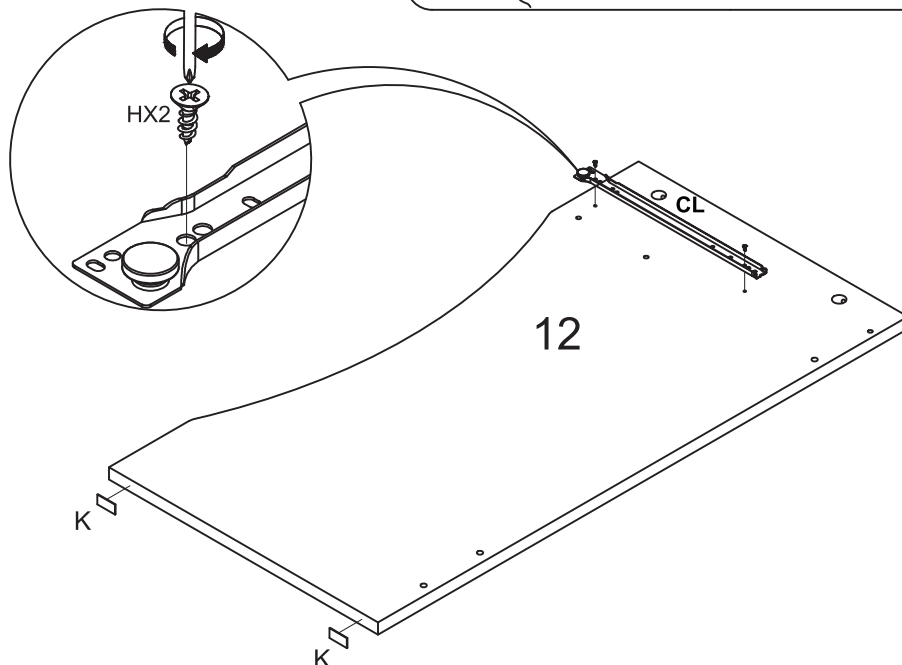
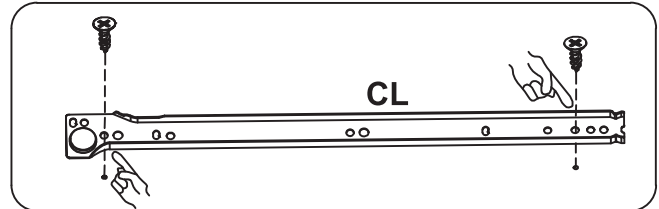
STEP 9

	AX10PCS
	LX4PCS






STEP 10

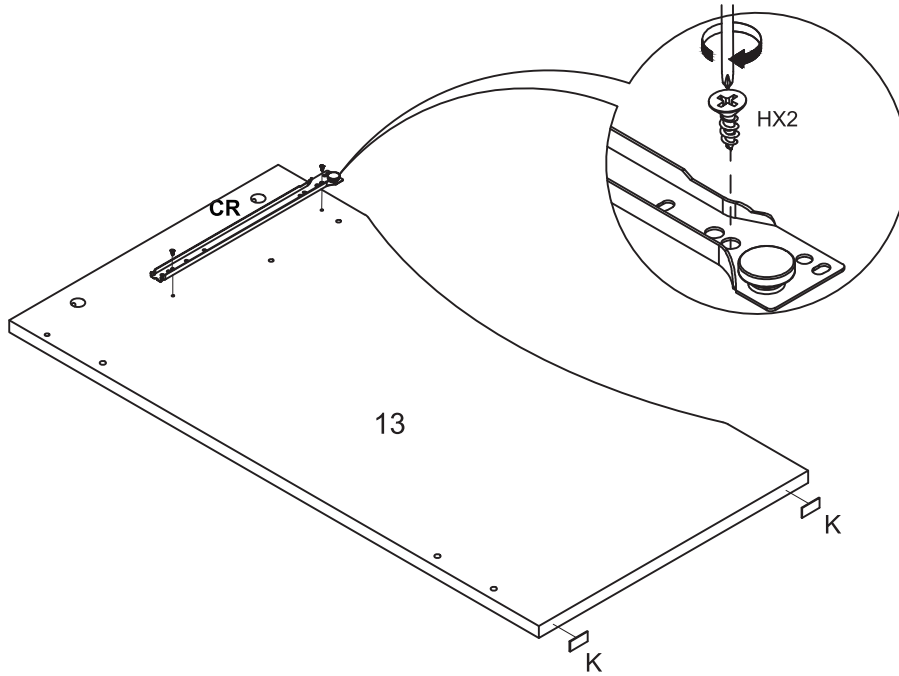
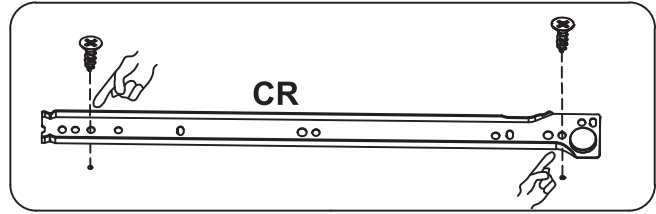
	CLX1PC
	HX2PCS
	KX2PCS



PRODUCT ASSEMBLY

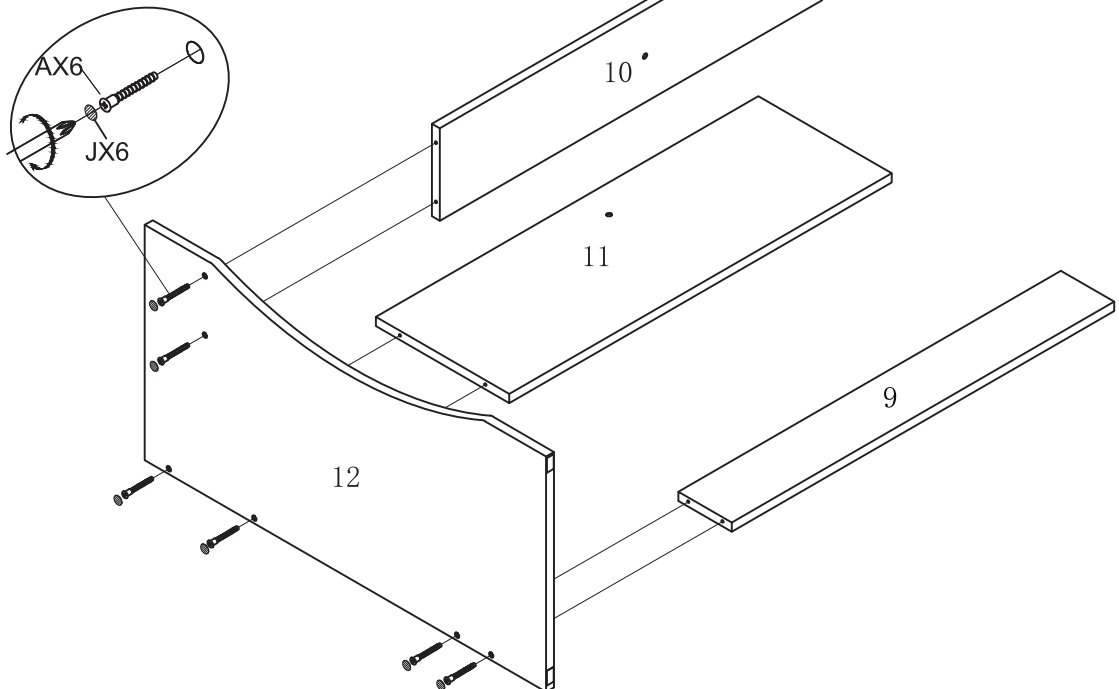
STEP 11

	CRX1PC
	HX2PCS
	KX2PCS



STEP 12

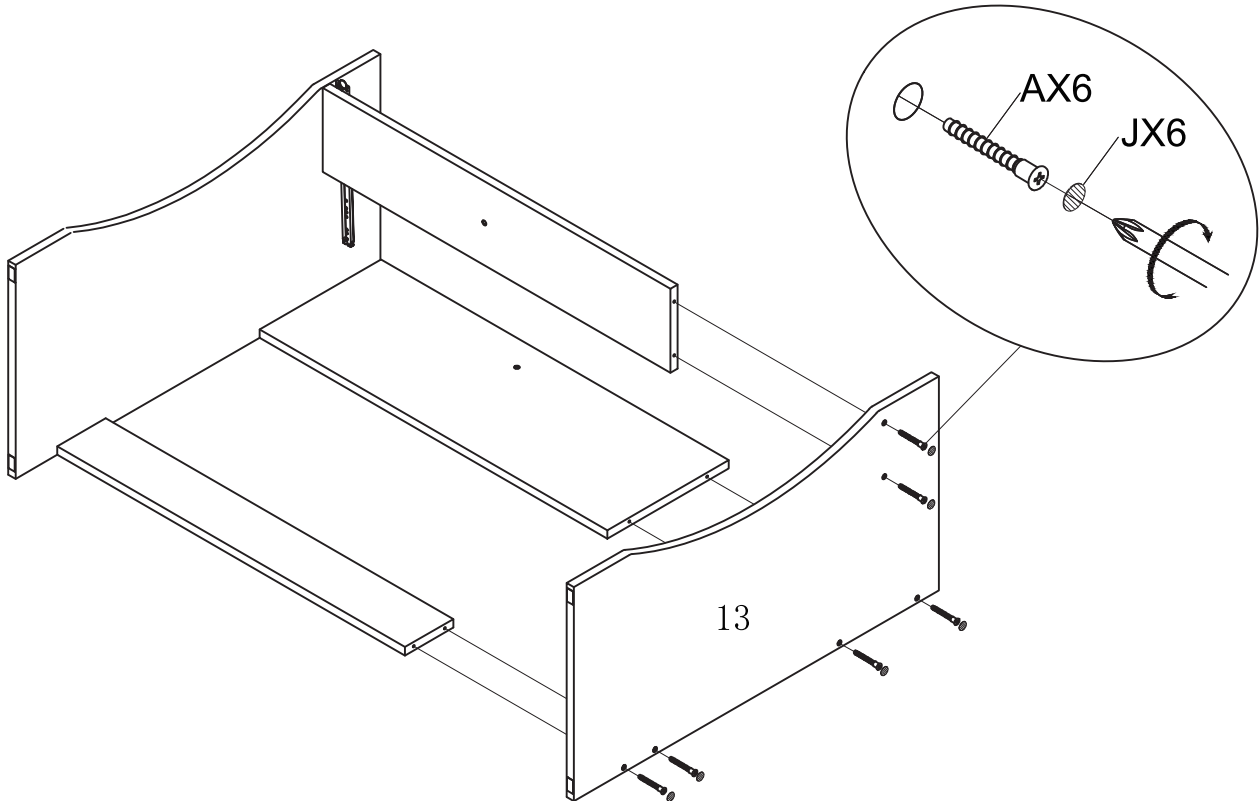
	AX6PCS
	JX6PCS





PRODUCT ASSEMBLY

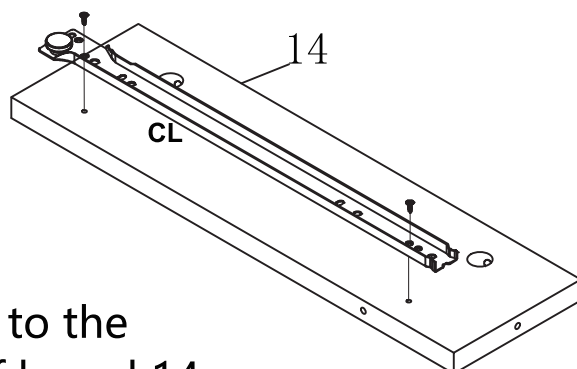
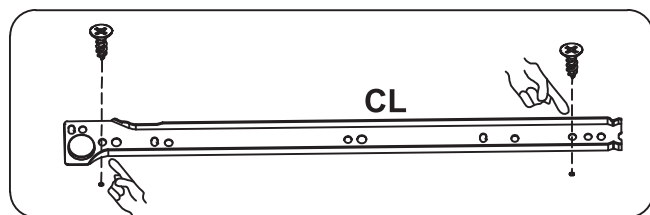
STEP 13

	AX6PCS
	JX6PCS



STEP 14



	CLX1PC
	HX2PCS

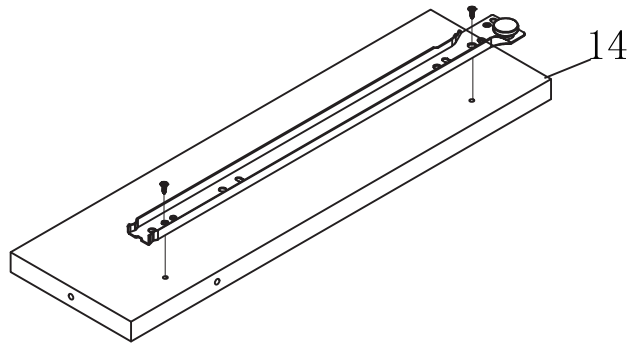
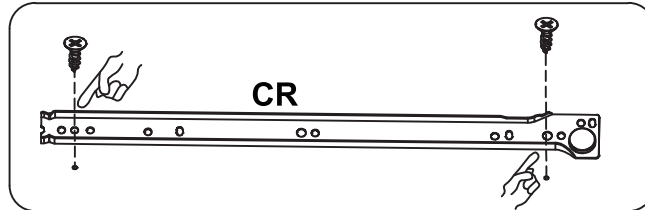


Pay attention to the orientation of board 14

PRODUCT ASSEMBLY

STEP 15

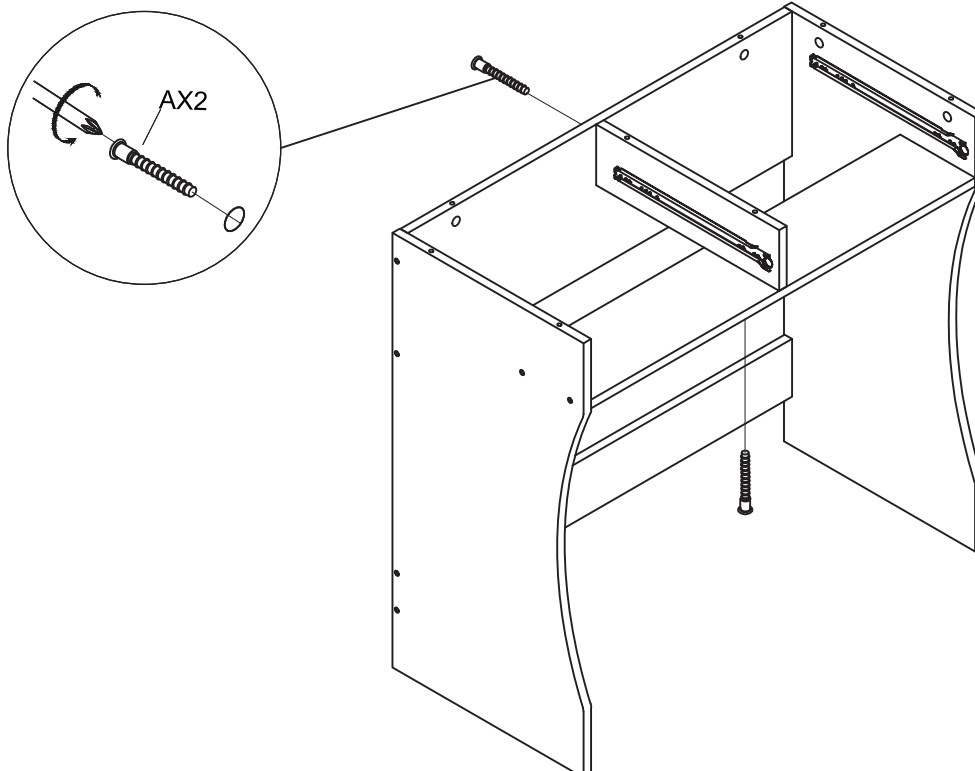
	CRX1PC
	HX2PCS



Left side of board 14

STEP 16

	AX2PCS
---	--------

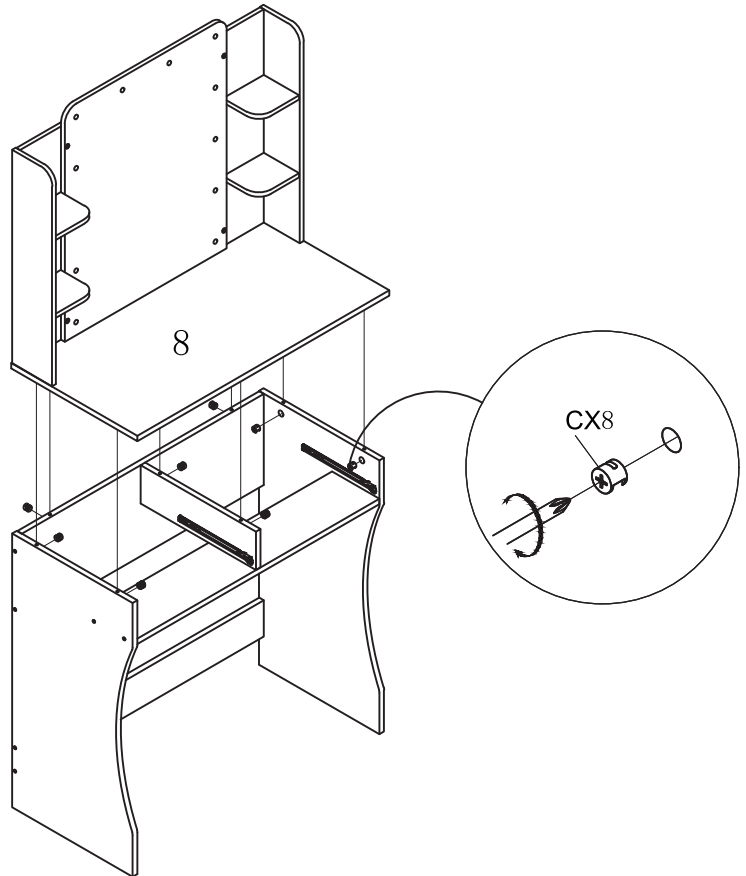


PRODUCT ASSEMBLY

STEP 17

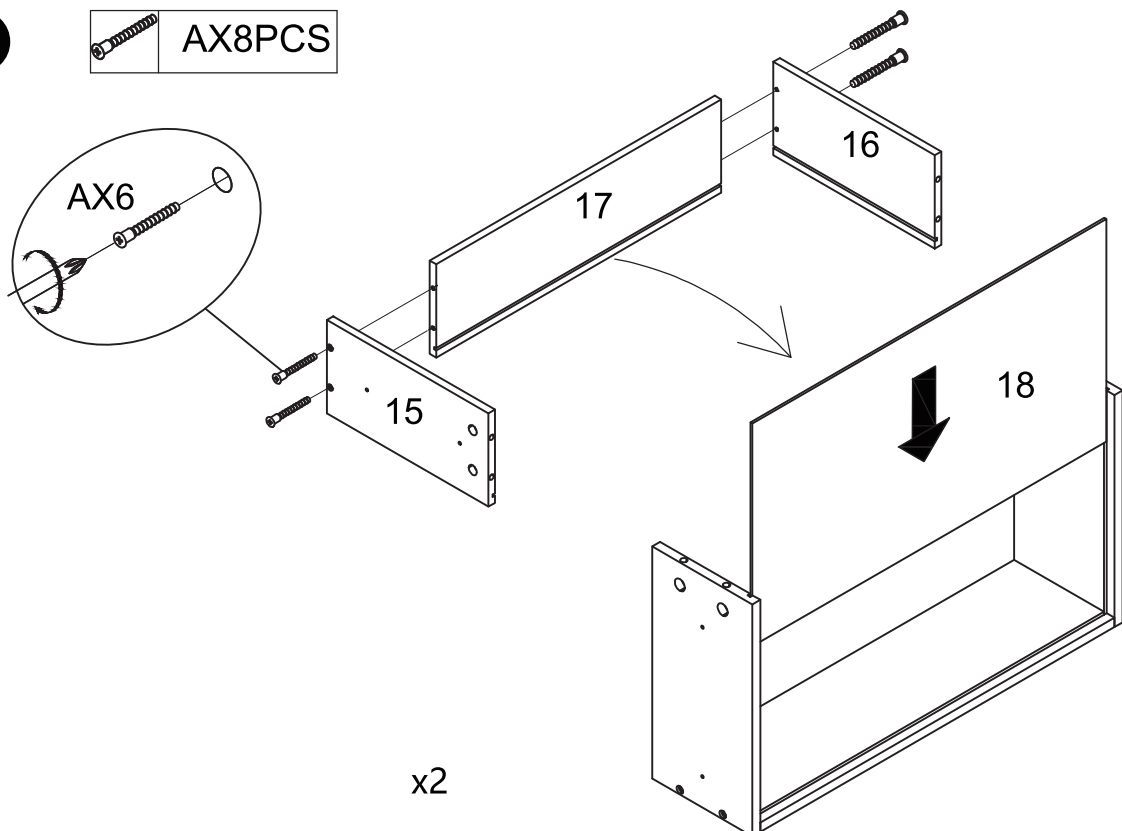
 CX8PCS

Two-man installation






STEP 18

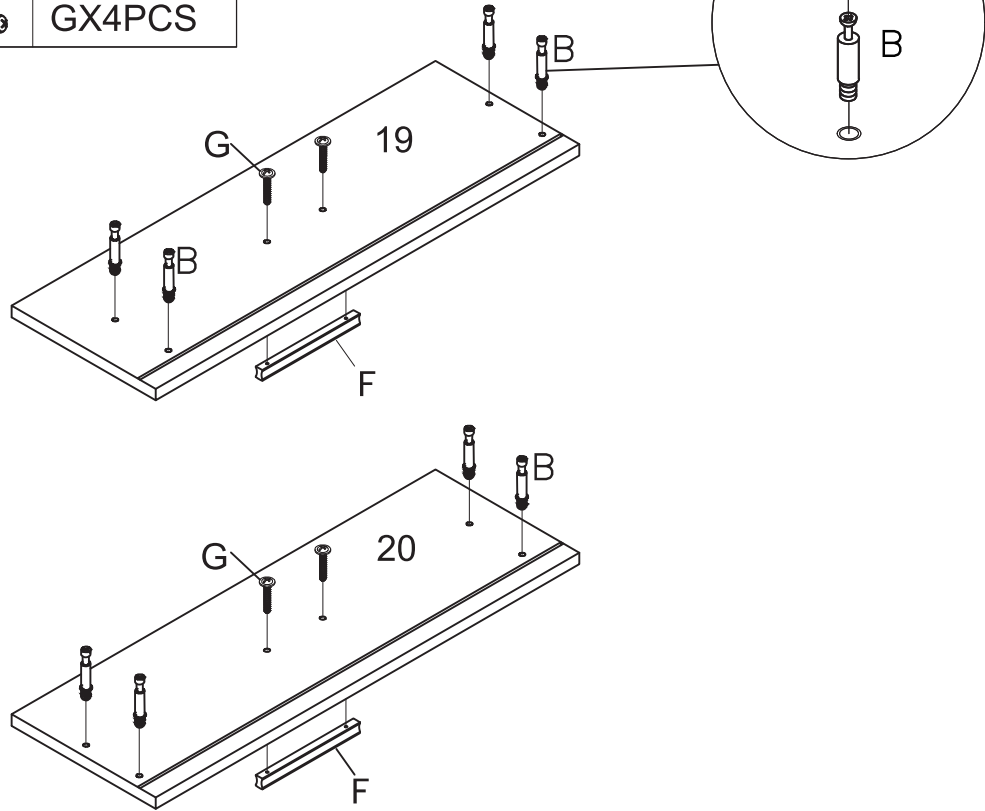
 AX6PCS



PRODUCT ASSEMBLY

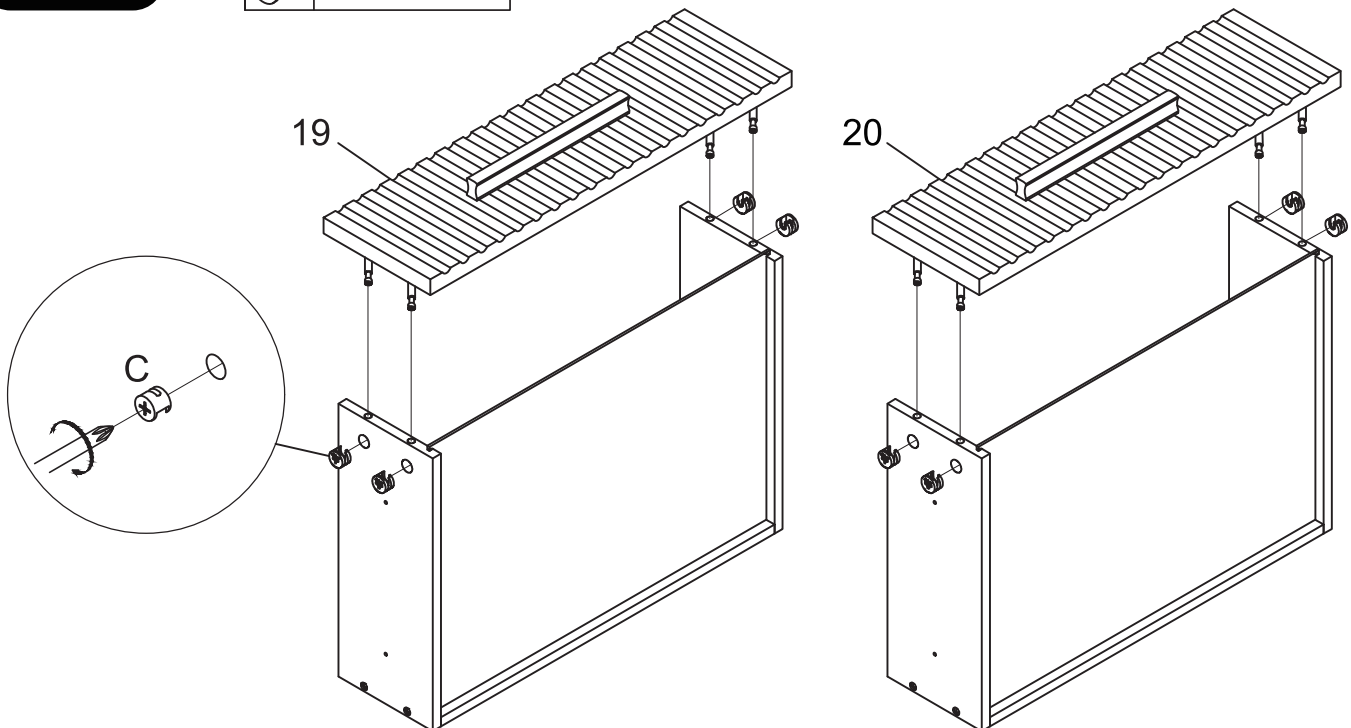
STEP 19

	BX8PCS
	FX2PCS
	GX4PCS



STEP 20

	CX8PCS
---	--------

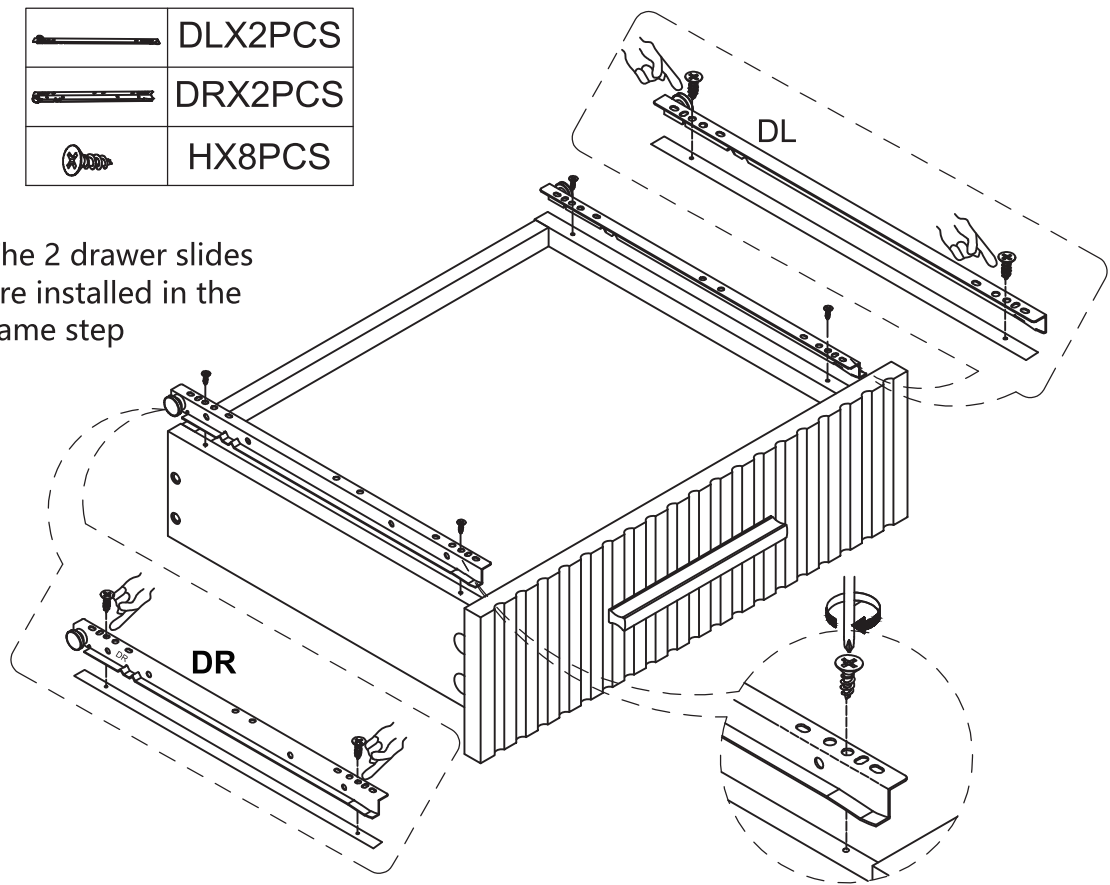


PRODUCT ASSEMBLY

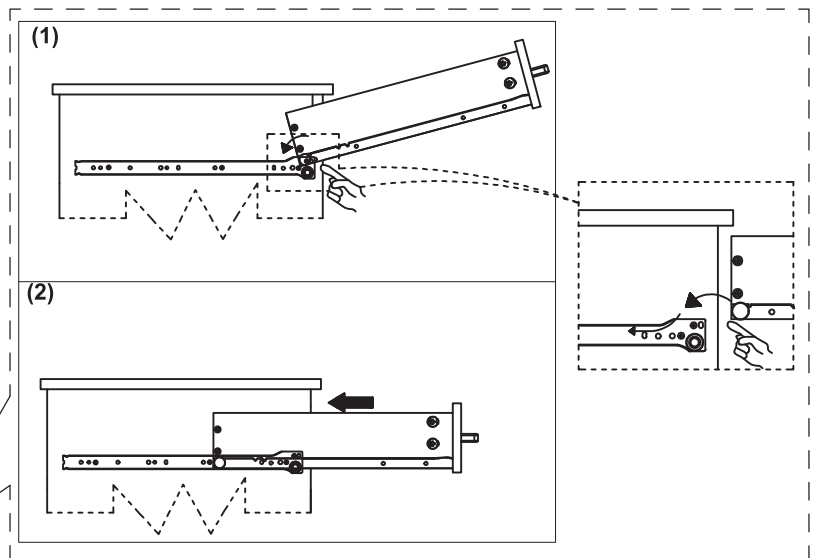
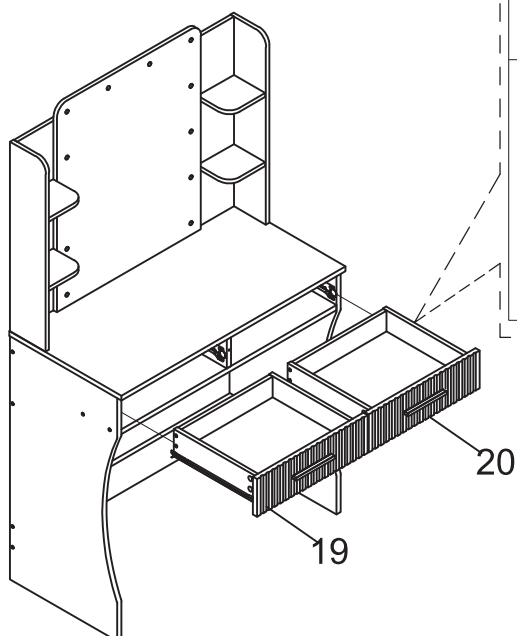
STEP 21

	DLX2PCS
	DRX2PCS
	HX8PCS

The 2 drawer slides are installed in the same step

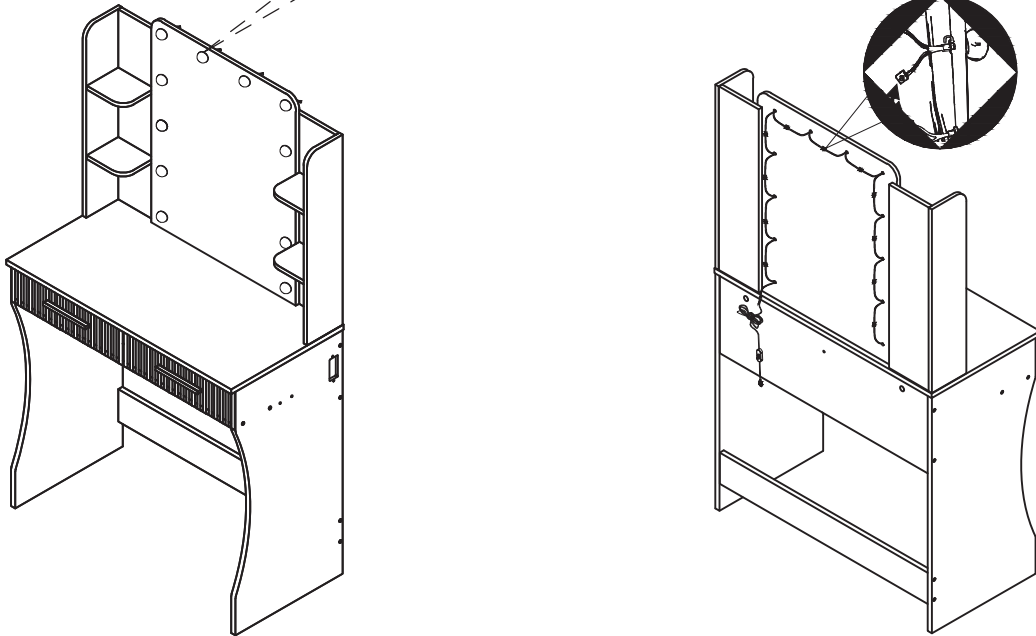
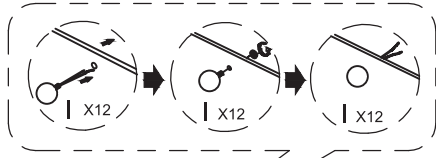


STEP 22






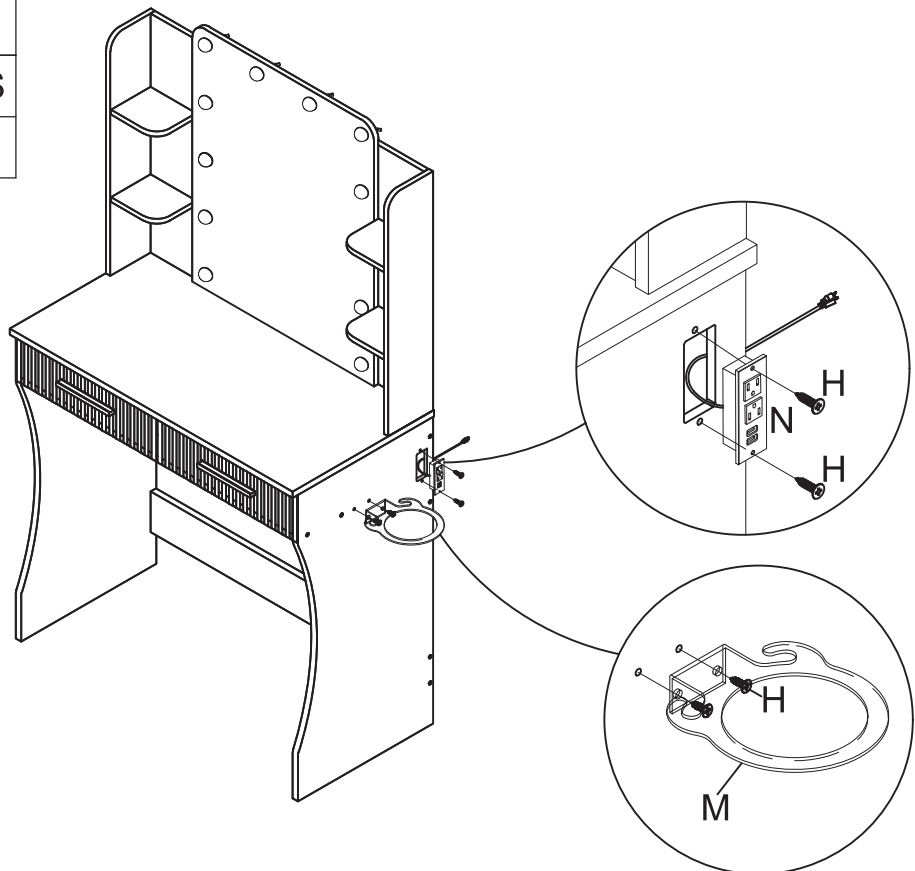
PRODUCT ASSEMBLY

STEP 23





STEP 24

	MX1PC
	HX4PCS
	NX1PC

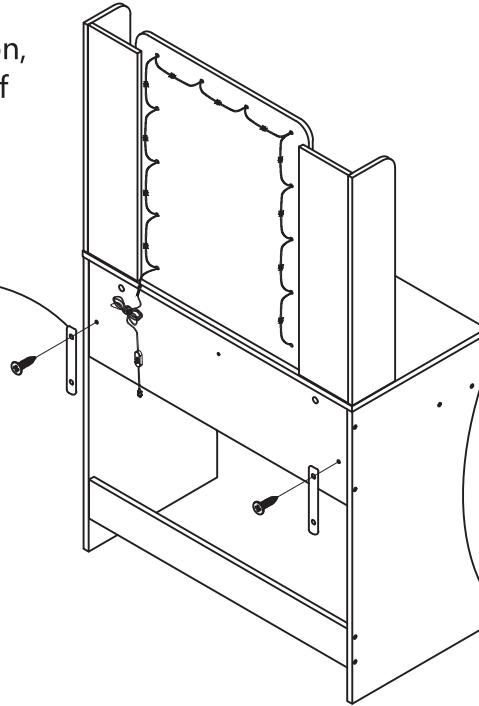
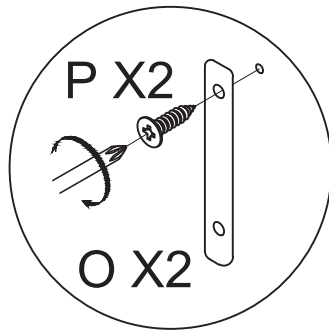


PRODUCT ASSEMBLY

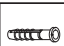
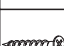
STEP 25

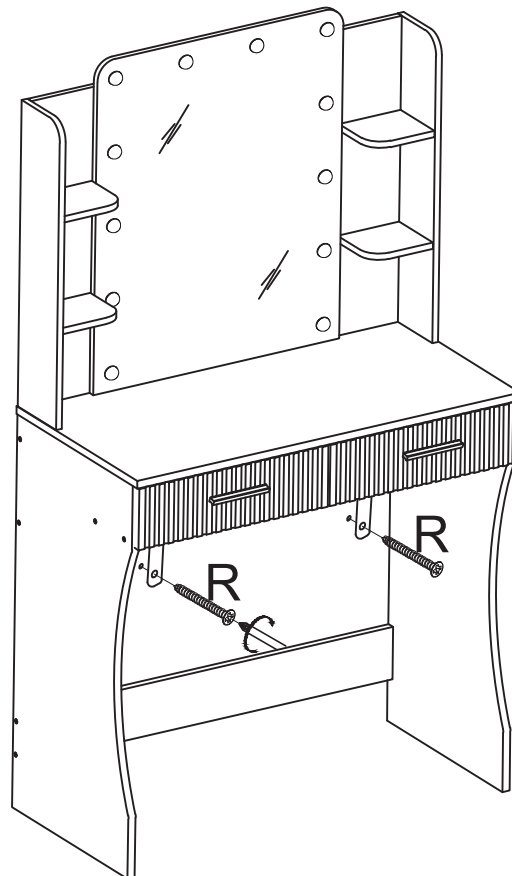
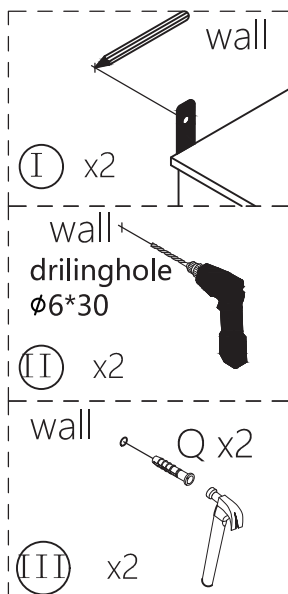
	O X2PCS
	P X2PCS

Installation location,
choose by yourself



STEP 26

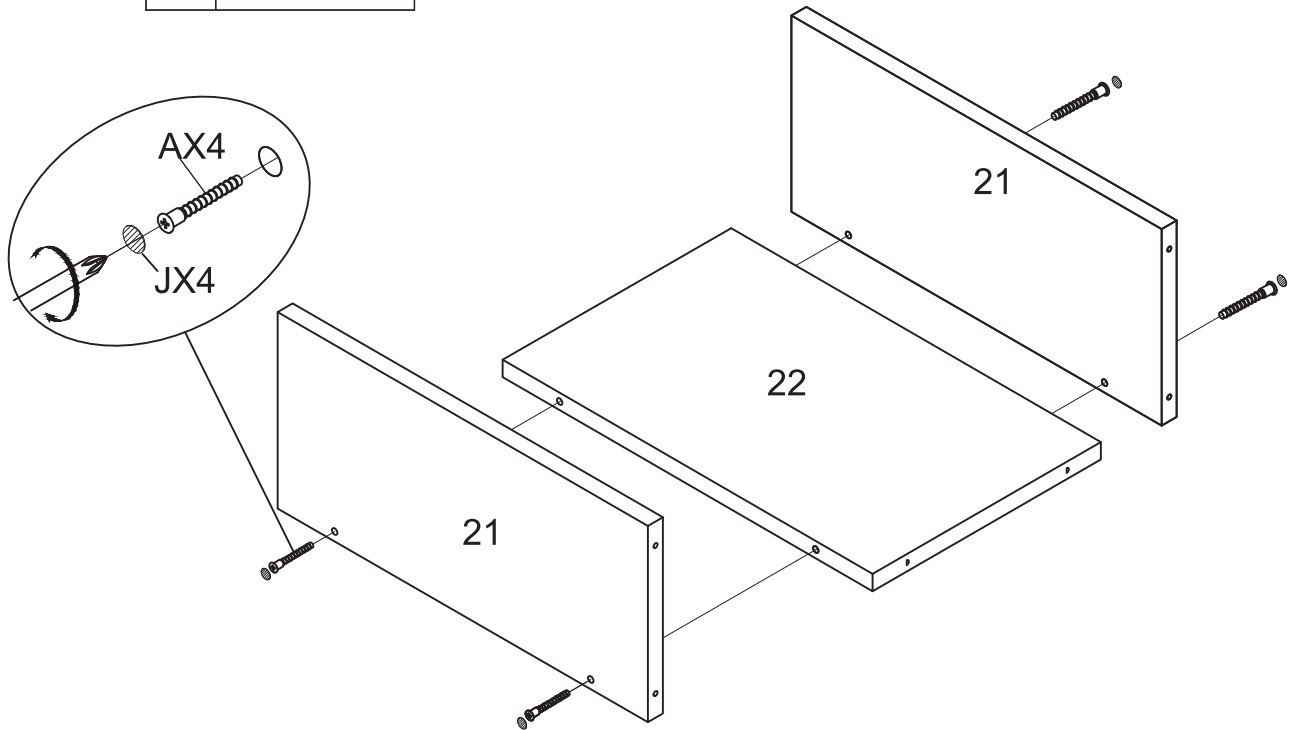
	Q X2PCS
	R X2PCS





PRODUCT ASSEMBLY

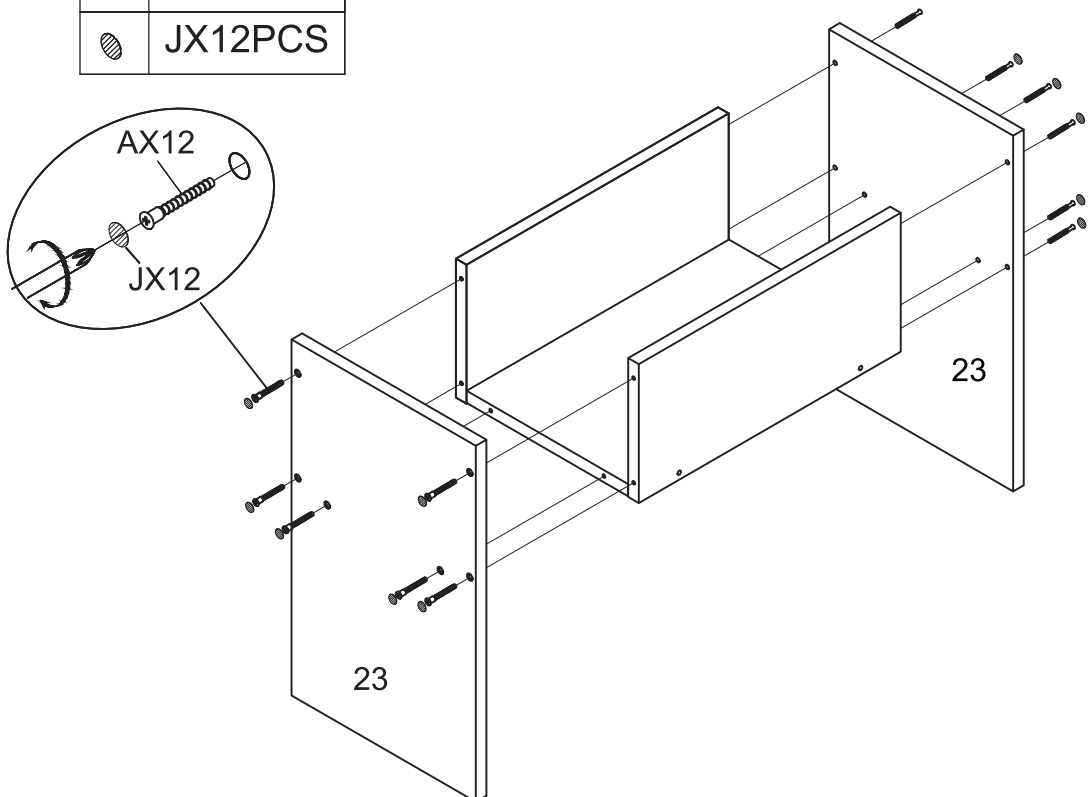
STEP 27

	AX4PCS
	JX4PCS



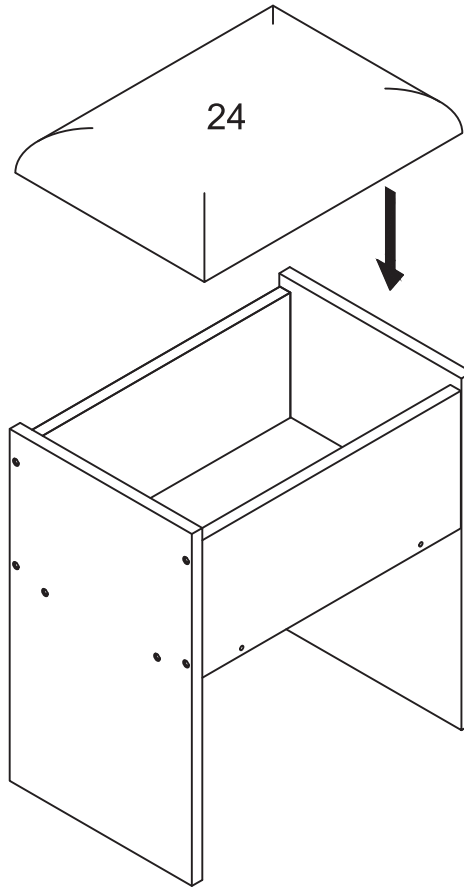
STEP 28

	AX12PCS
	JX12PCS



PRODUCT ASSEMBLY

STEP 29



STEP 30

